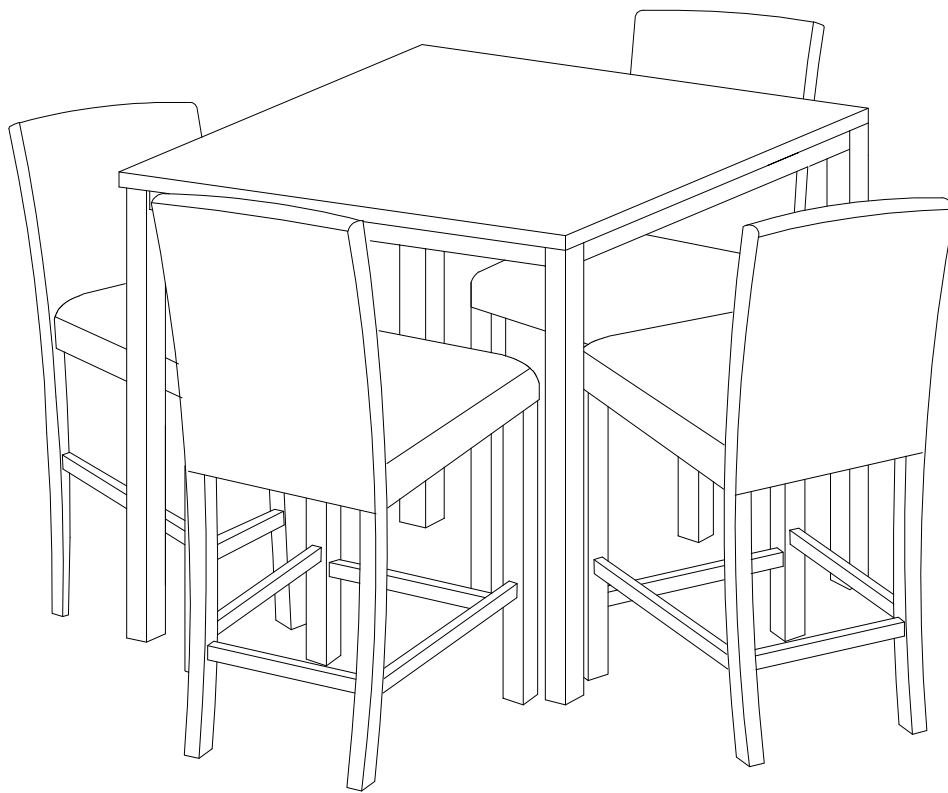


ASSEMBLY INSTRUCTIONS

ITEM NO.FB3037HAY-PT-5PK


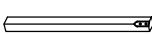
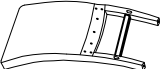

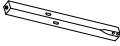
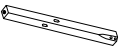


ITEM NO.FB3063HAY-PT-5PK



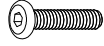




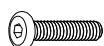



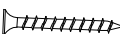

ASSEMBLY TIPS:

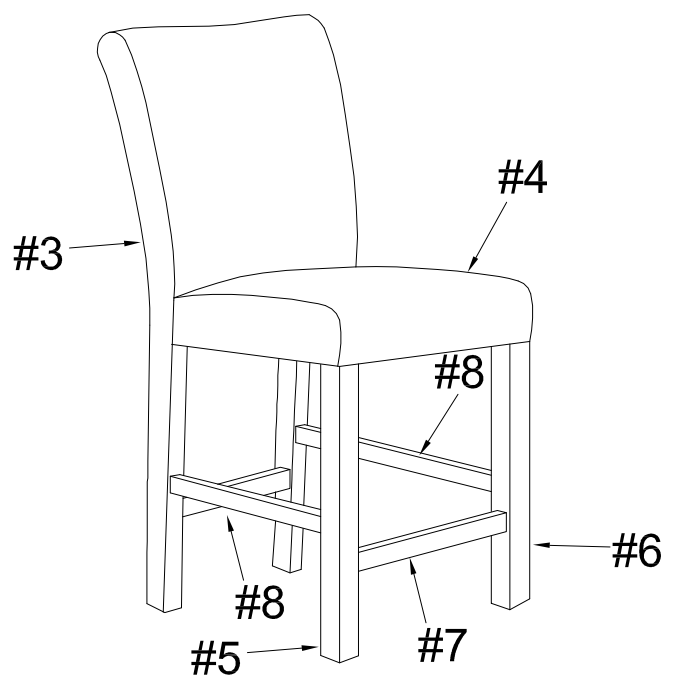
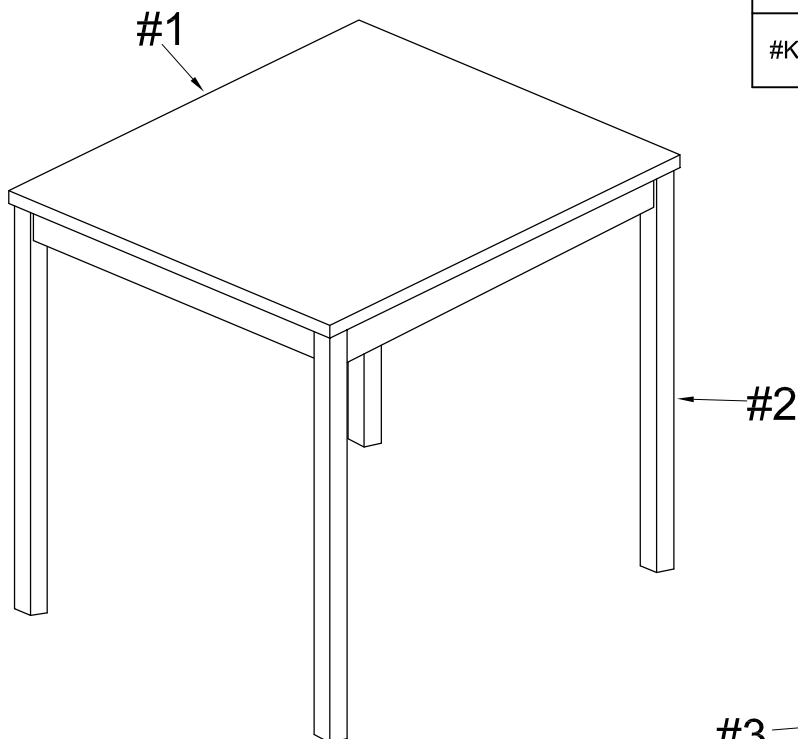
1. Remove hardware from box and sort by size.
2. Please check to see that all hardware and parts are present prior to start of assembly.
3. Please follow attached instructions in the same sequence as numbered to assure fast & easy assembly.

Part List

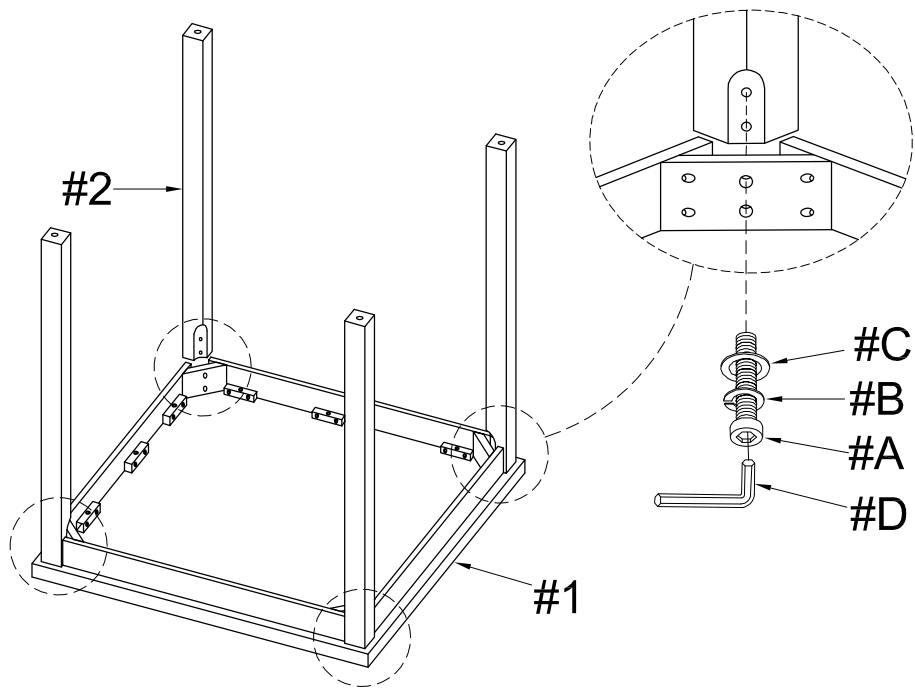
NO.	DIAGRAM	PART NAME	Q'ty
#1		Table Top	1 pc
#2		Table Legs	4 pcs
#3		Back frame with cushion	4 pcs
#4		Seat frame with cushion	4 pcs
#5		Left Front Legs	4 pcs
#6		Right Front Legs	4 pcs
#7		Front Stretcher	4 pcs
#8		Stretcher	8 pcs

Part List

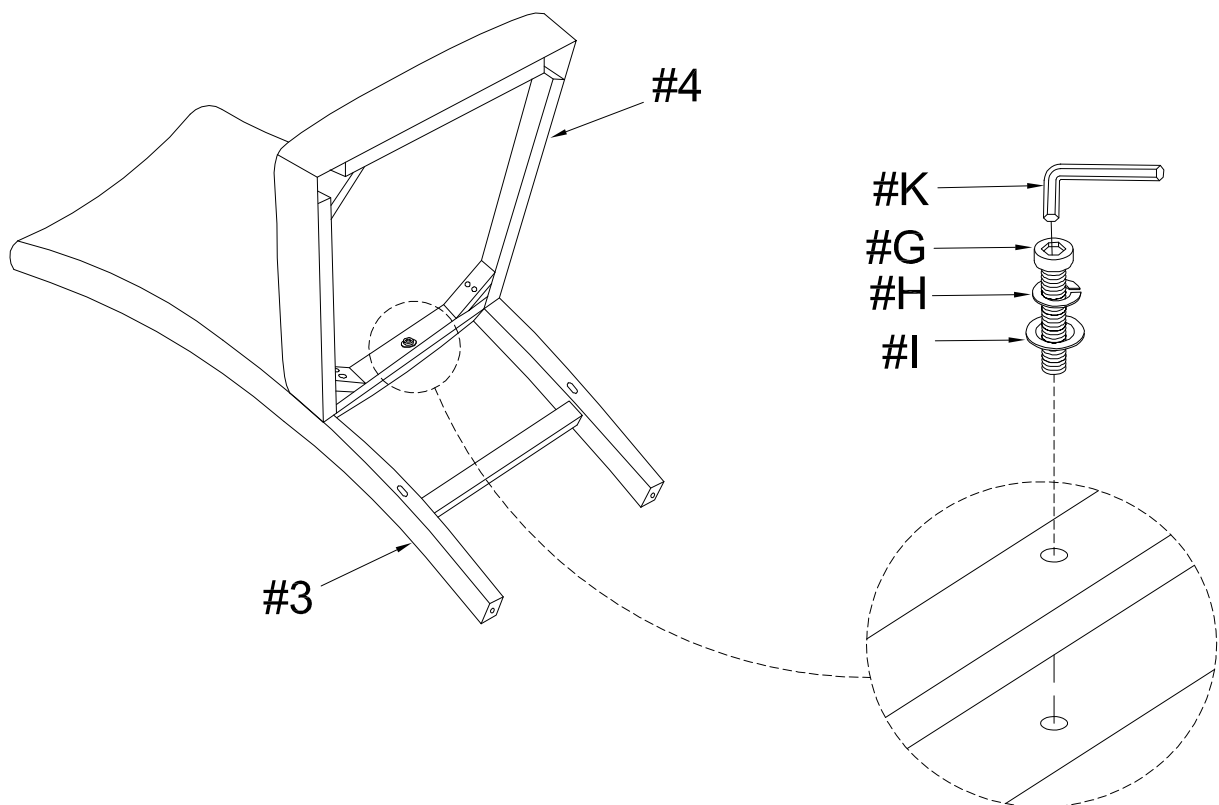
NO.	DIAGRAM	PART NAME	Q'ty
#A		Bolt 5/16" x 2-1/2"	8 pcs
#B		Spring washer Ø5/16"	8 pcs
#C		Flat washer Ø5/16"	8 pcs
#D		Allen key M5	1 pc
#E		Bolt 5/16" x 3"	16 pcs
#F		Bolt 5/16" x 2-1/4"	16 pcs
#G		Bolt 5/16" x 1-3/4"	4 pcs
#H		Spring washer Ø5/16"	36 pcs
#I		Flat washer Ø5/16"	36 pcs
#J		Screw #8 x 1.75"	24 pcs
#K		Allen key M5	4 pcs



STEP 1:

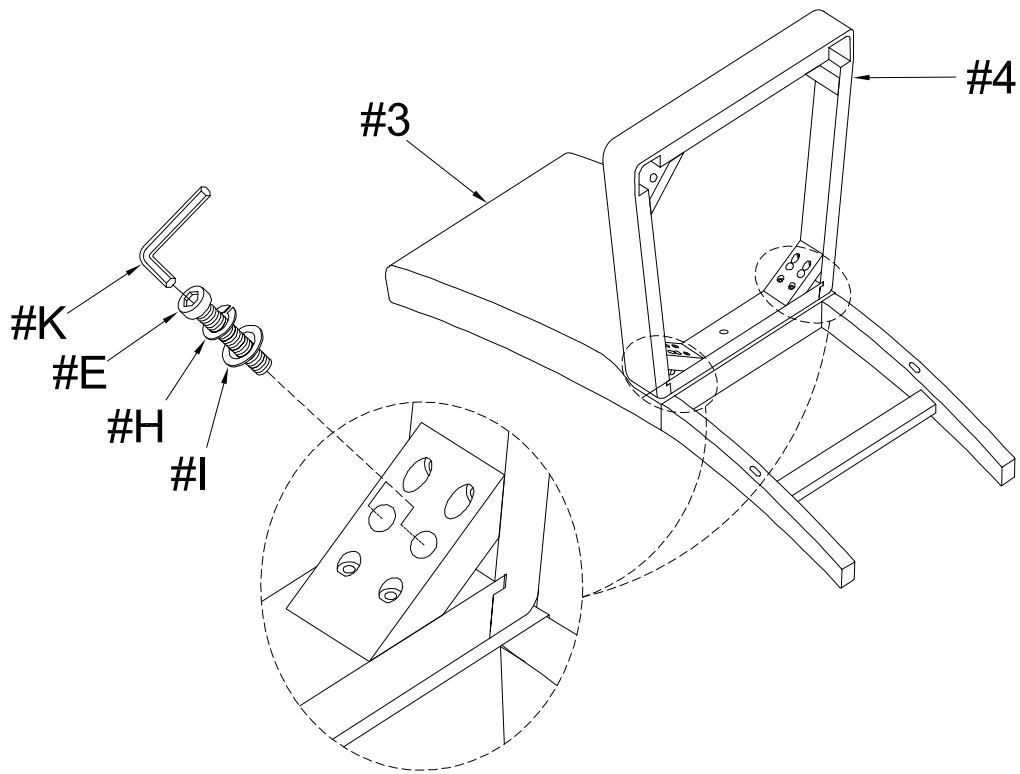


STEP 2:

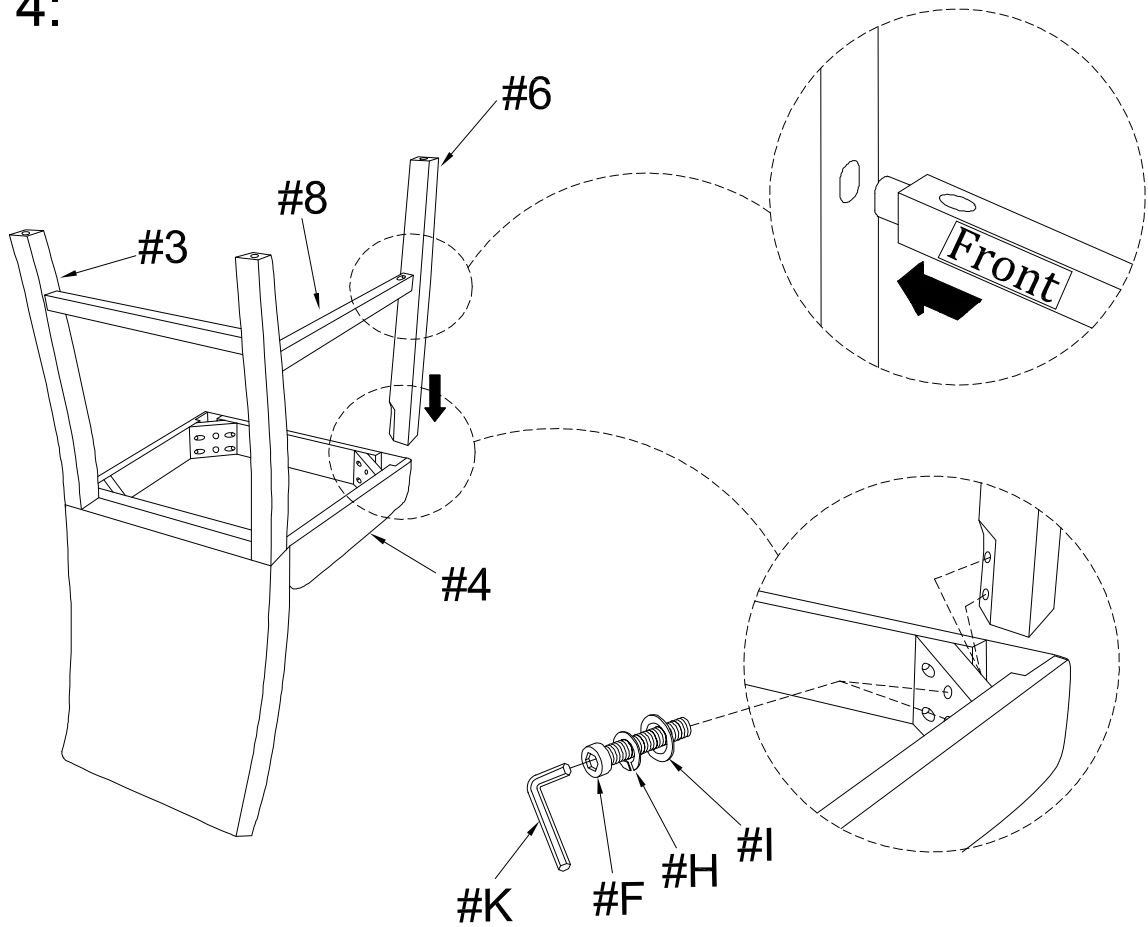


Do not tighten screws until completely assembled.

STEP 3:

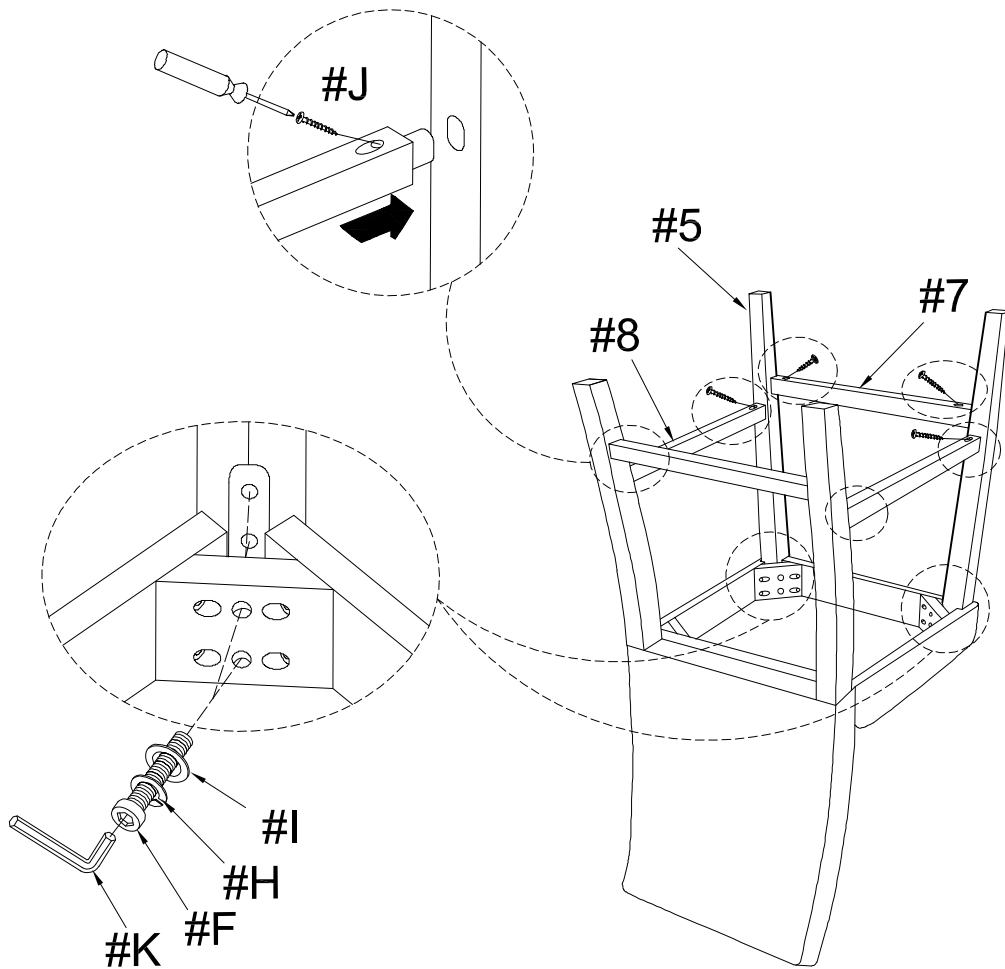


STEP 4:

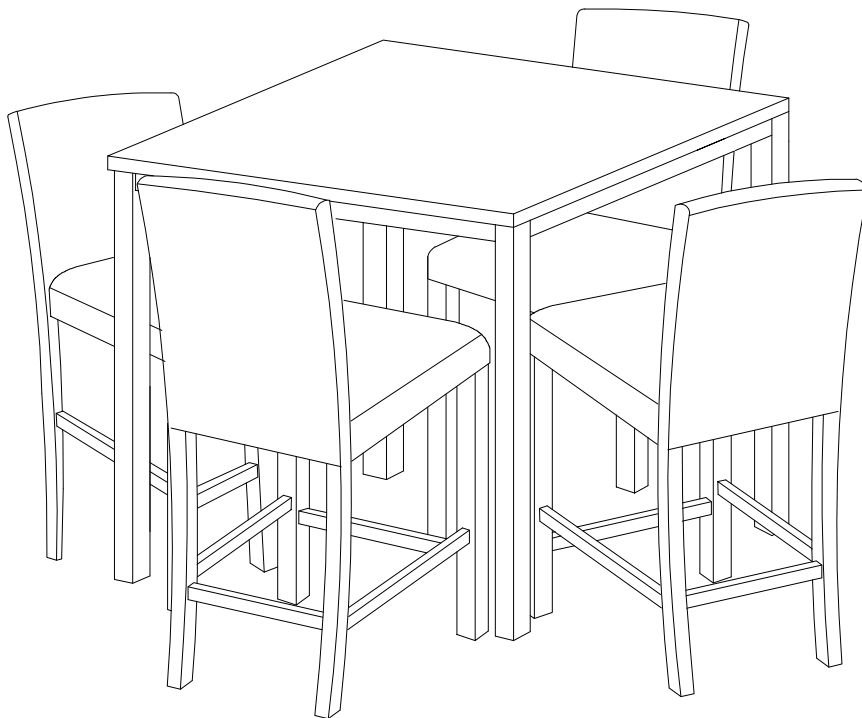


Do not tighten screws until completely assembled.

STEP 5:



STEP 6:



Tighten all screws until completely assembled.