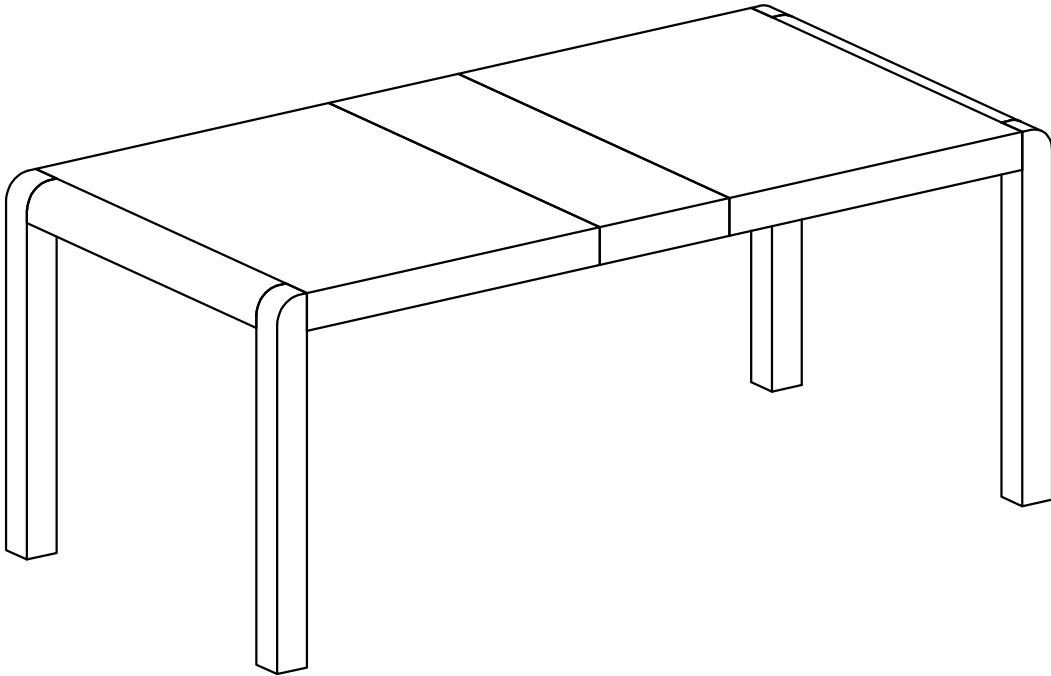


ASSEMBLY INSTRUCTION

ITEM NO.N715P406519

Dining Table



ASSEMBLY INSTRUCTION

ITEM NO.N715P406519

Please read these instructions fully before starting assembly:

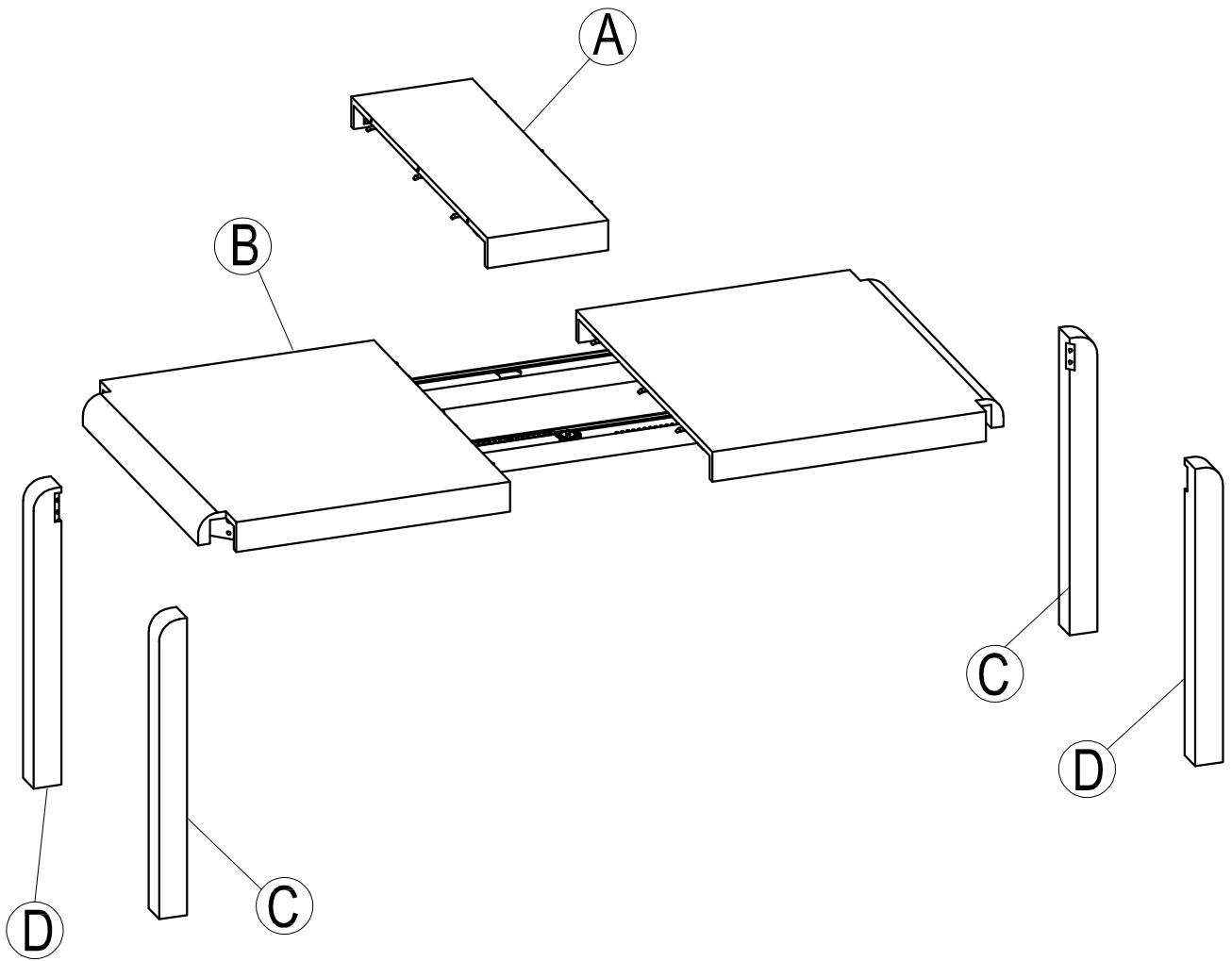
1. Place all wooden parts on a clean and smooth surface such as a rug or carpet to avoid scratching the parts.
2. Kindly follow the assembly instructions step by step.
3. Do not tighten all screws and bolts until the table is fully assembled.
4. Unscrew the protective plastique supports from the metal insert of the table legs before assembly.
5. Parts of the assembly will be easier with 2 people.

Care and maintenance:

Only clean using a damp cloth and mild detergent, do not use bleach or abrasive cleaners.

ASSEMBLY INSTRUCTION

ITEM NO.N715P406519



ASSEMBLY INSTRUCTION

ITEM NO.N715P406519

Part List

Ⓐ

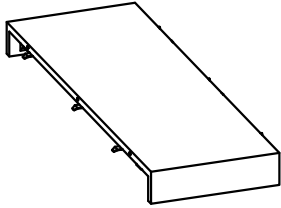


TABLE TOP BETWEEN (1pc)

Ⓑ

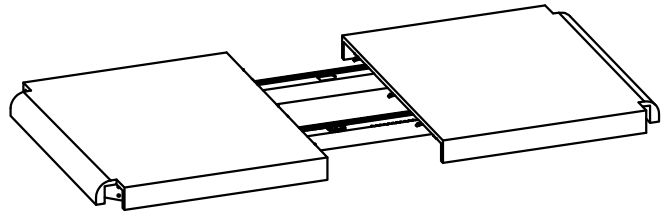


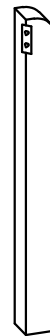
TABLE TOP SIDE (1pc)

Ⓒ



LEFT LEG (2pcs)

Ⓓ



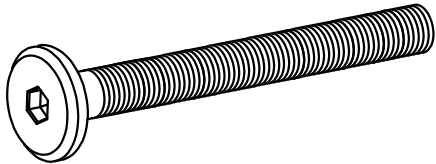
RIGHT LEG (2pcs)

ASSEMBLY INSTRUCTION

ITEM NO.N715P406519

Hardware List

①



Ø 5/16" x 70 mm

BOLT (8 pcs)

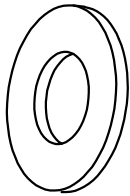
②



Ø5/16" x 13 mm

LOCK WASHER (8 pcs)

③



Ø5/16" x 19 x 2 mm

FLAT WASHER (8 pcs)

④



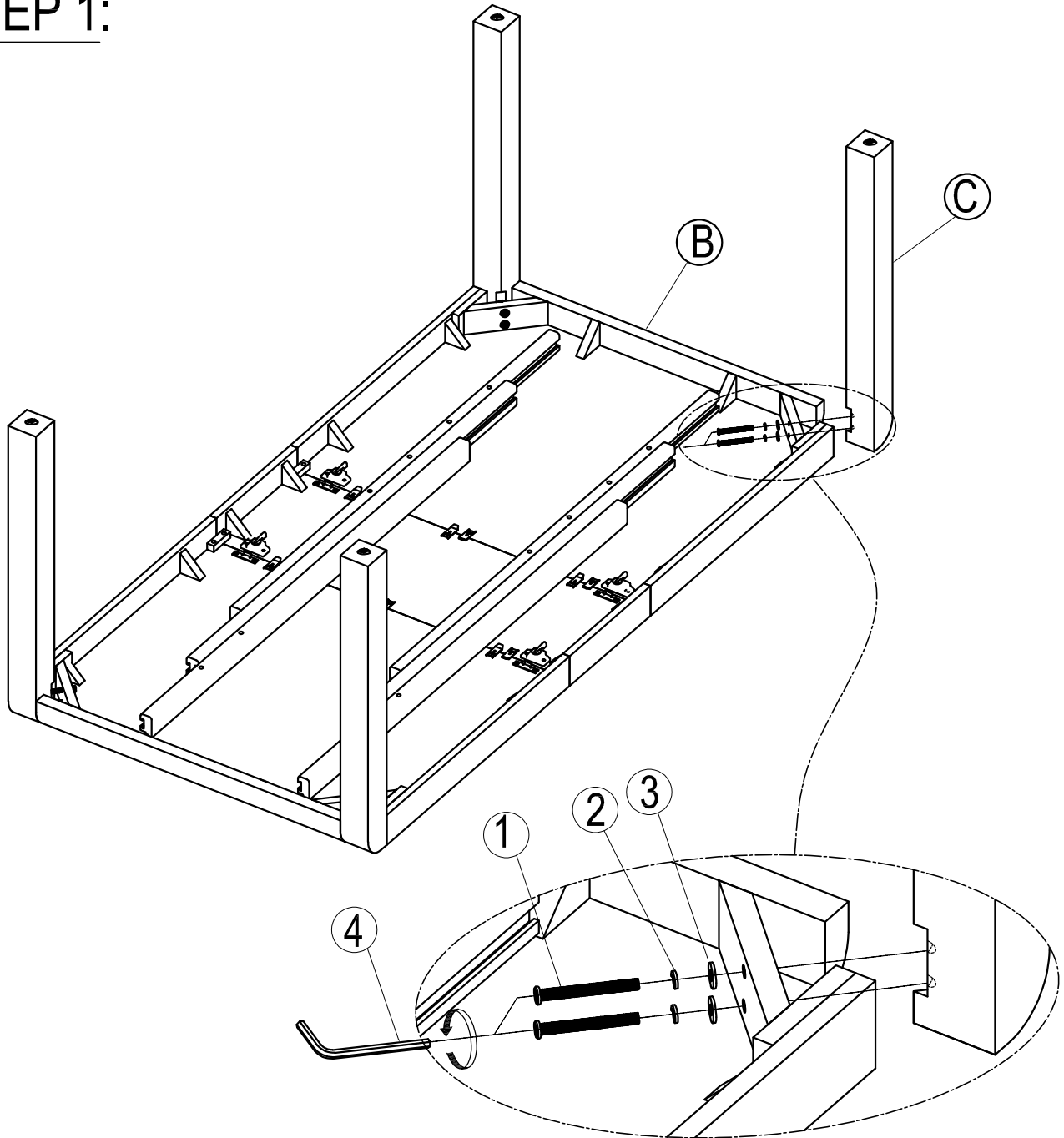
4 mm

ALLEN KEY (1 pc)




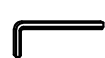
ASSEMBLY INSTRUCTION

ITEM NO.N715P406519

STEP 1:

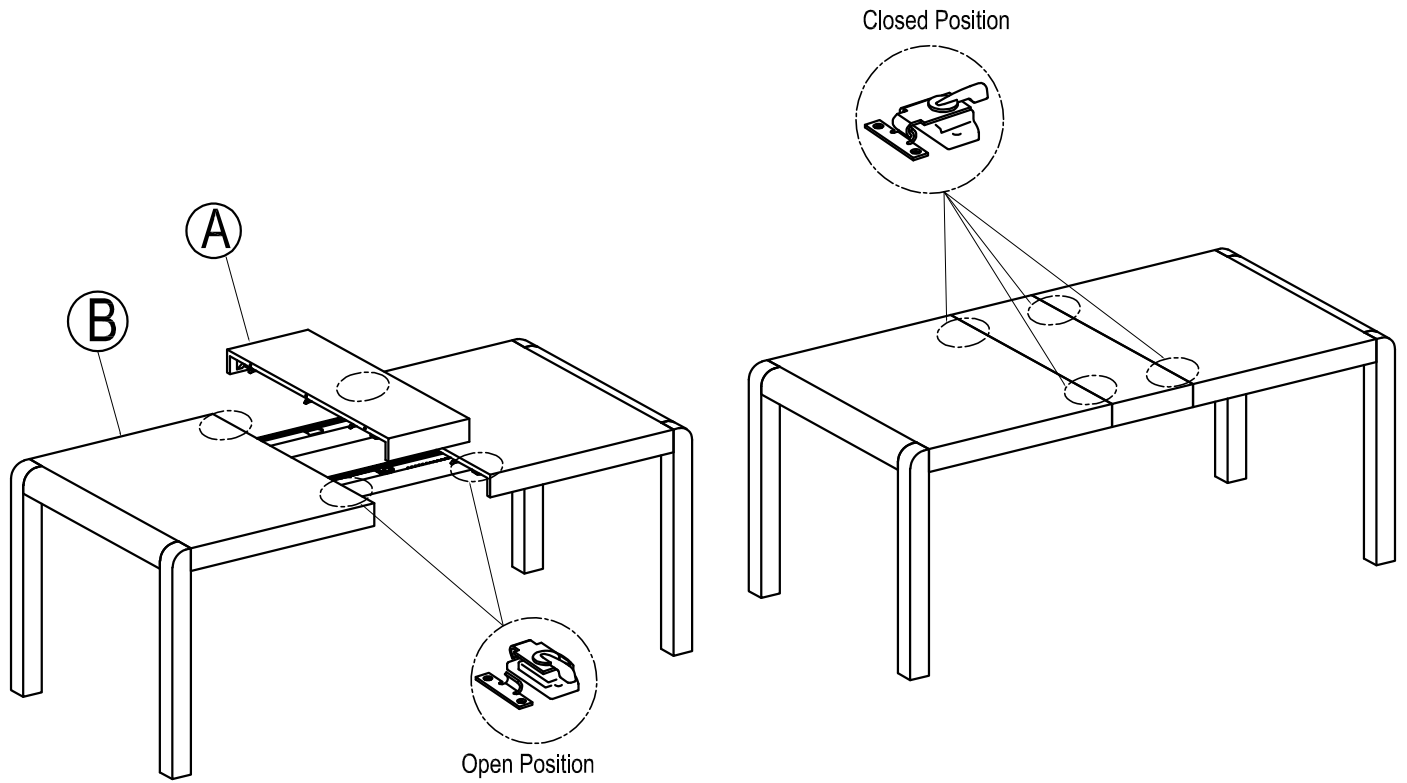


X4

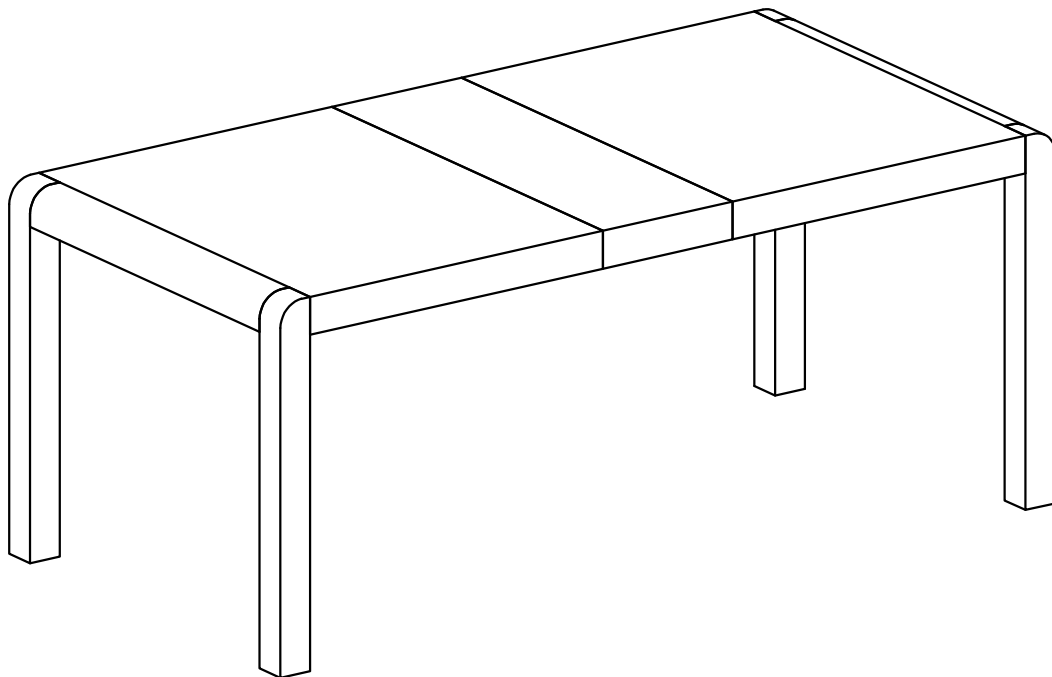
BOLT Ø 5/16" x 70 mm	LOCK WASHER Ø5/16" x 13 mm	FLAT WASHER Ø5/16"x19x2mm	ALLEN KEY 4 mm
			
① x 8	② x 8	③ x 8	④ x 1

ASSEMBLY INSTRUCTION

ITEM NO.N715P406519



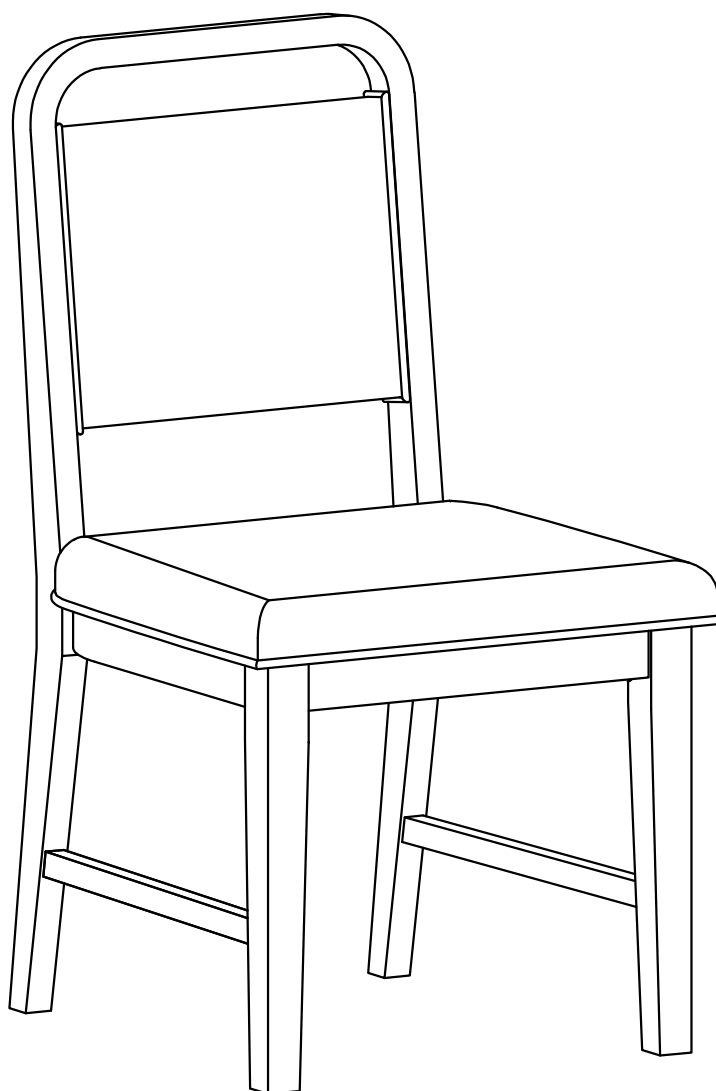
COMPLETE



ASSEMBLY INSTRUCTION

ITEM NO.N715P406520

Dining Chair



ASSEMBLY INSTRUCTION

ITEM NO.N715P406520

Please read these instructions fully before starting assembly:

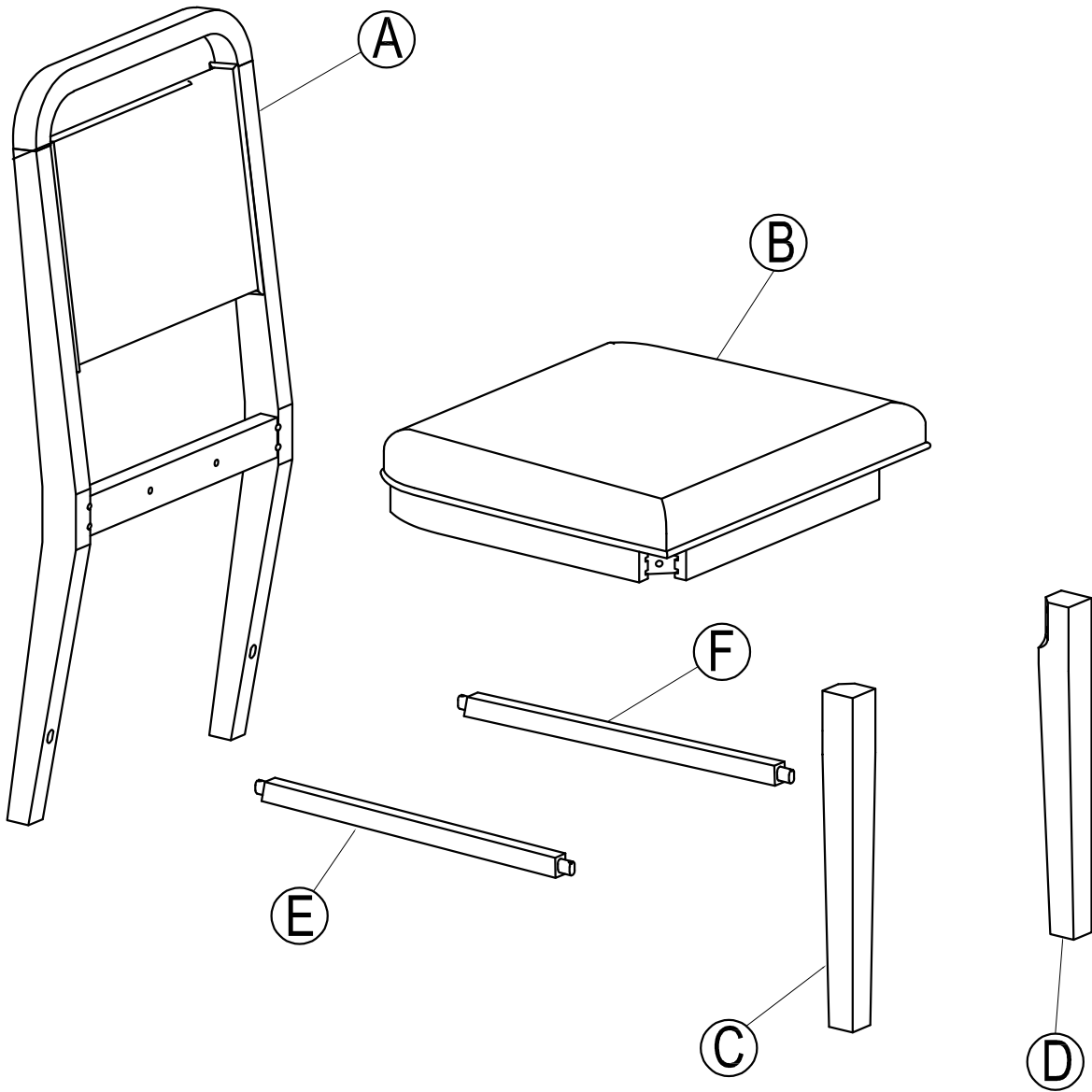
1. Place all wooden parts on a clean and smooth surface such as a rug or carpet to avoid scratching the parts.
2. Kindly follow the assembly instructions step by step.
3. Do not tighten all screws and bolts until the table is fully assembled.
4. Unscrew the protective plastique supports from the metal insert of the table legs before assembly.
5. Parts of the assembly will be easier with 2 people.

Care and maintenance:

Only clean using a damp cloth and mild detergent, do not use bleach or abrasive cleaners.

ASSEMBLY INSTRUCTION

ITEM NO.N715P406520

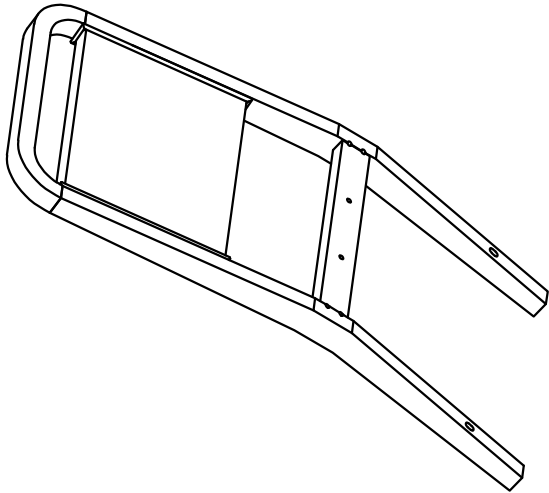


ASSEMBLY INSTRUCTION

ITEM NO.N715P406520

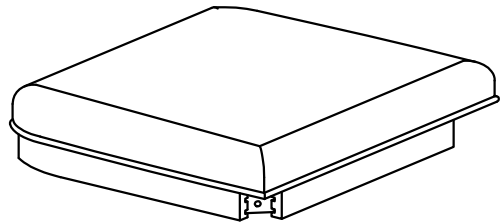
Part List

(A)



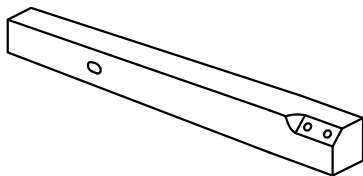
BACK FRAME (2 pcs)

(B)



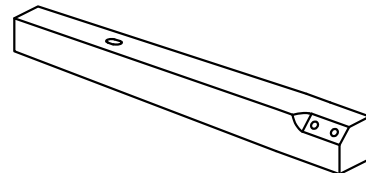
SEAT FRAME (2 pcs)

(C)



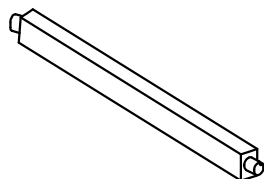
LEG LEFT (2 pcs)

(D)



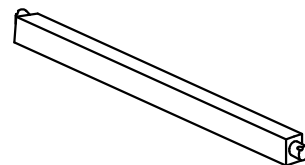
LEG RIGHT (2 pcs)

(E)



LEFT SIDE STRETCHER (2 pcs)

(F)

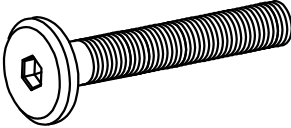
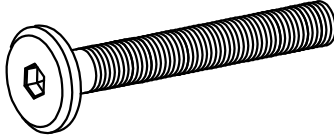
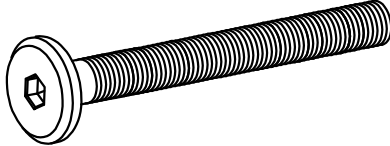

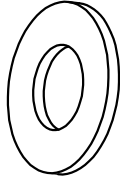

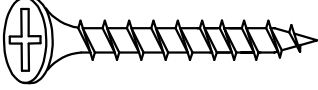
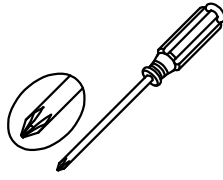


RIGHT SIDE STRETCHER (2 pcs)

ASSEMBLY INSTRUCTION

ITEM NO.N715P406520

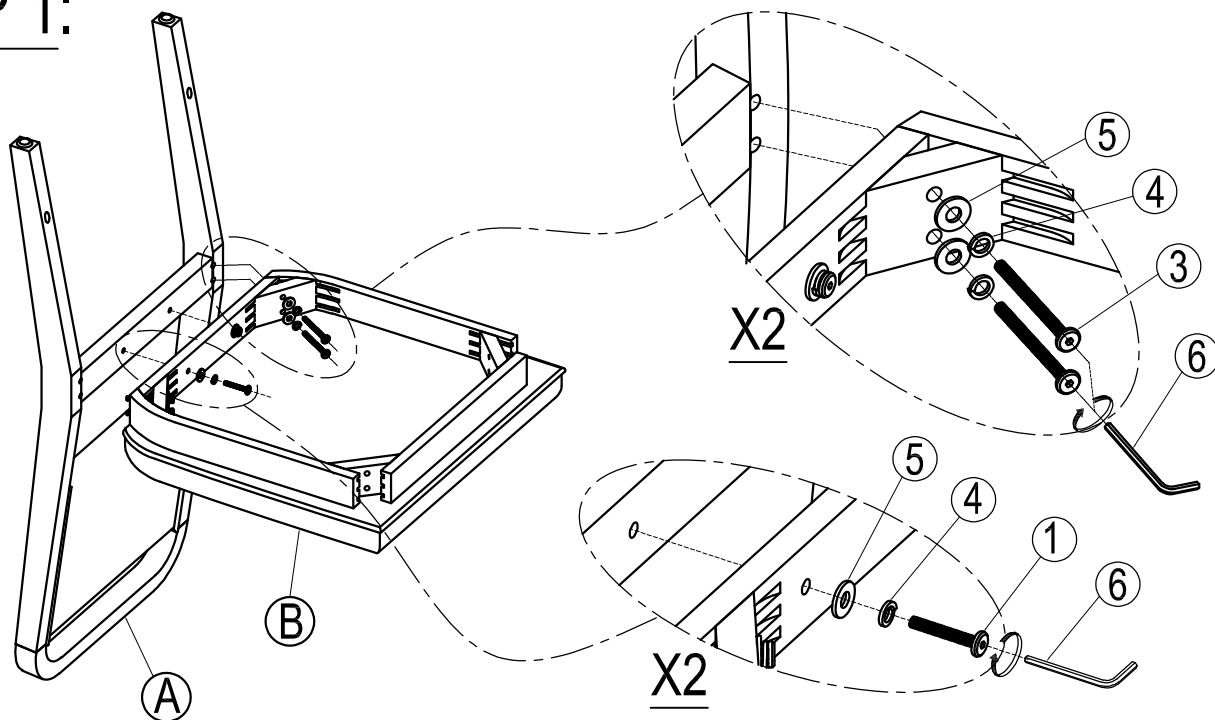
Hardware List






<p>①</p>  <p>Ø 1/4" x 40 mm</p> <p>BOLT (4 pcs)</p>	<p>②</p>  <p>Ø 1/4" x 55 mm</p> <p>BOLT (8 pcs)</p>
<p>③</p>  <p>Ø 1/4" x 75 mm</p> <p>BOLT (8 pcs)</p>	<p>④</p>  <p>Ø5/16" x 13 mm</p> <p>LOCK WASHER (20 pcs)</p>
<p>⑤</p>  <p>Ø5/16"x19x2mm</p> <p>FLAT WASHER (20 pcs)</p>	<p>⑥</p>  <p>4 mm</p> <p>ALLEN KEY (2 pc)</p>
<p>⑦</p>  <p>Ø4 x 38 mm</p> <p>WOOD SCREWS (8 pcs)</p>	<p>Tools Requires</p>  <p>NOT INCLUDED</p>

ASSEMBLY INSTRUCTION

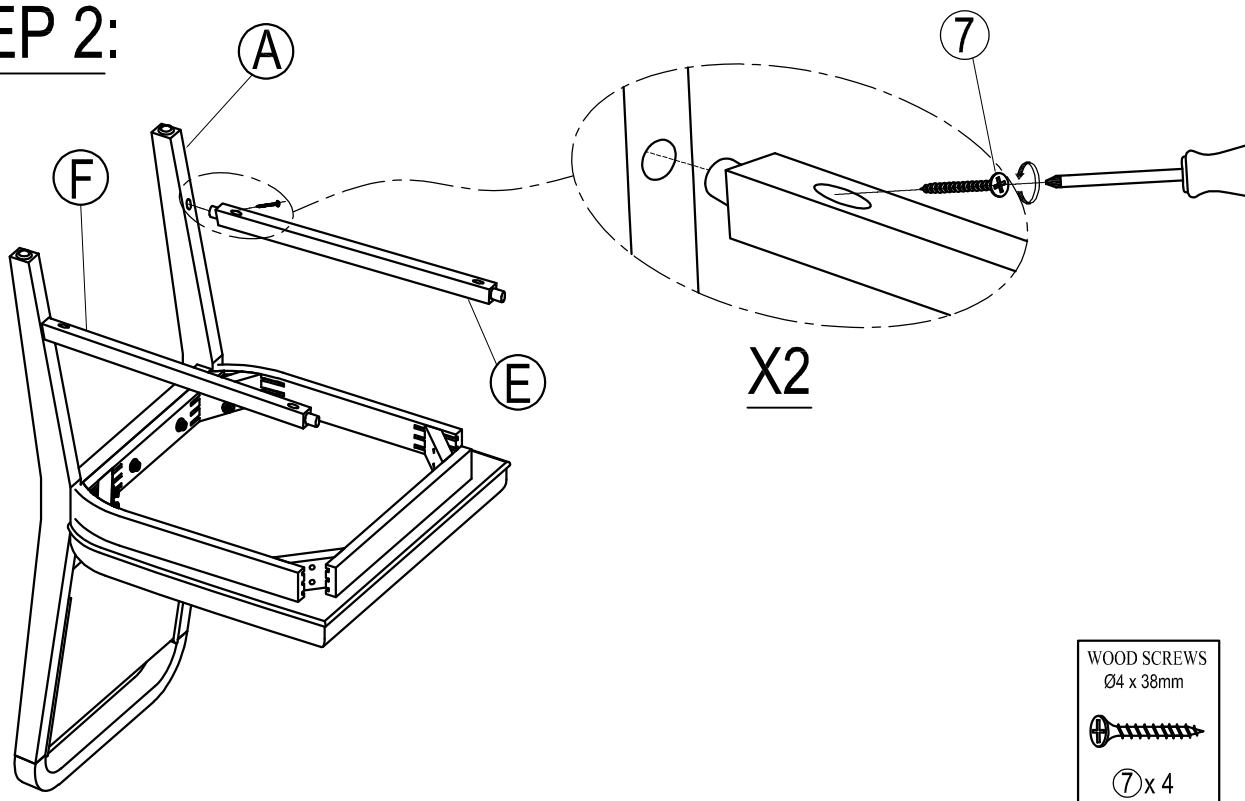
ITEM NO.N715P406520

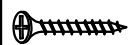
STEP 1:



BOLT Ø 1/4" x 40 mm	BOLT Ø 1/4" x 75 mm	LOCK WASHER Ø5/16" x 13 mm	FLAT WASHER Ø5/16" x 19 x 2 mm	ALLEN KEY 4 mm
				
① x 4	③ x 8	④ x 12	⑤ x 12	⑥ x 1

STEP 2:

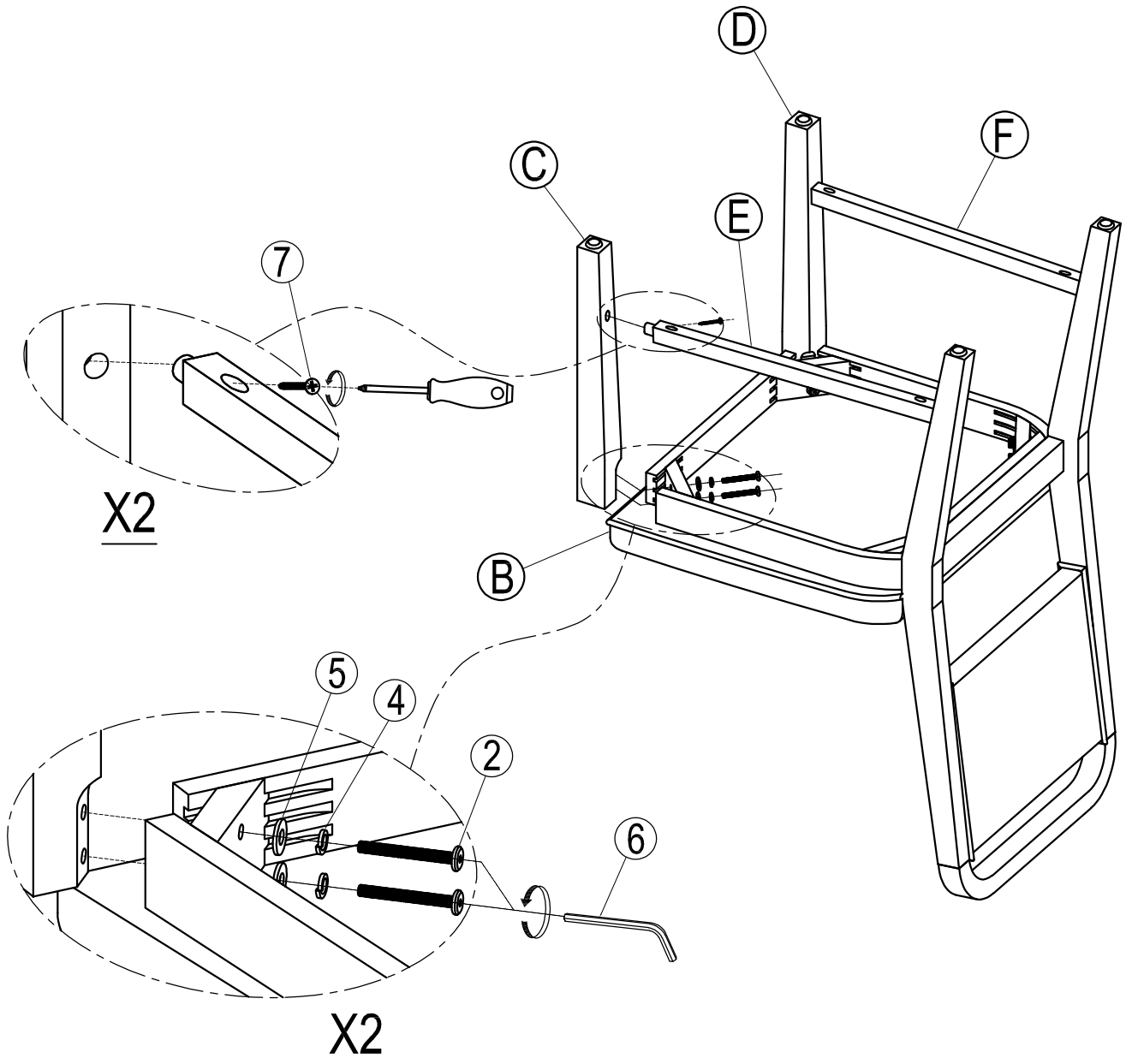





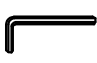

WOOD SCREWS Ø4 x 38mm

⑦ x 4

ASSEMBLY INSTRUCTION

ITEM NO.N715P406520

STEP 3:

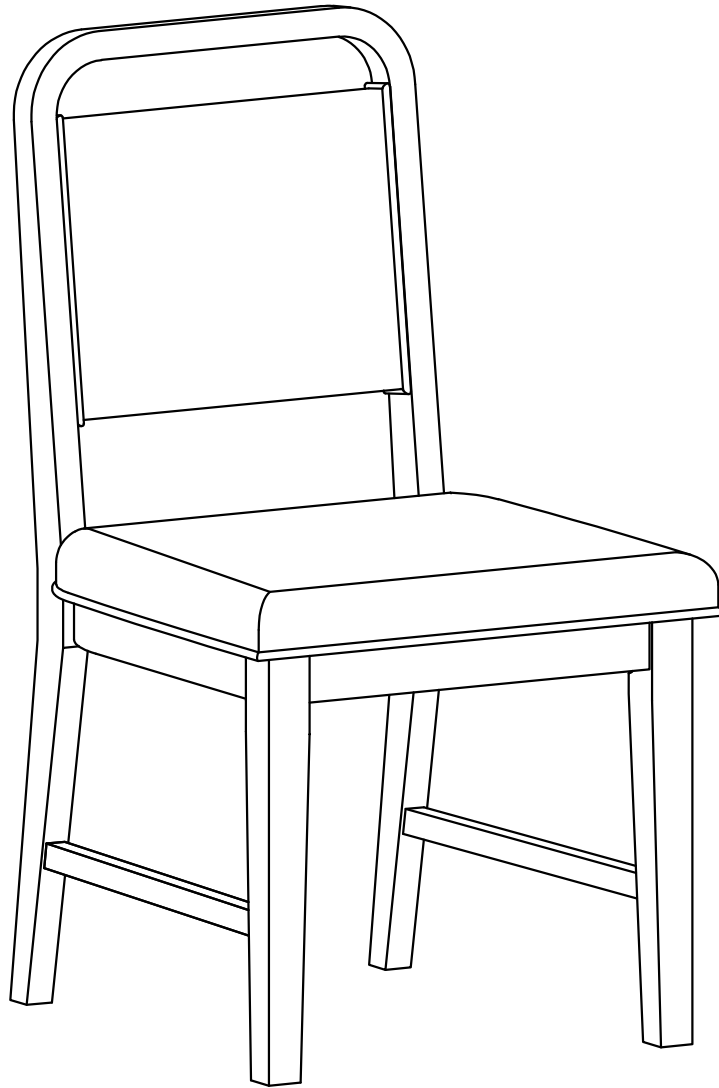


BOLT Ø 1/4" x 55 mm	LOCK WASHER Ø5/16" x 13 mm	FLAT WASHER Ø5/16"x19x2mm	ALLEN KEY 4 mm	WOOD SCREWS Ø4 x 38mm
				
② x 8	④ x 8	⑤ x 8	⑥ x 1	⑦ x 4

ASSEMBLY INSTRUCTION

ITEM NO.N715P406520

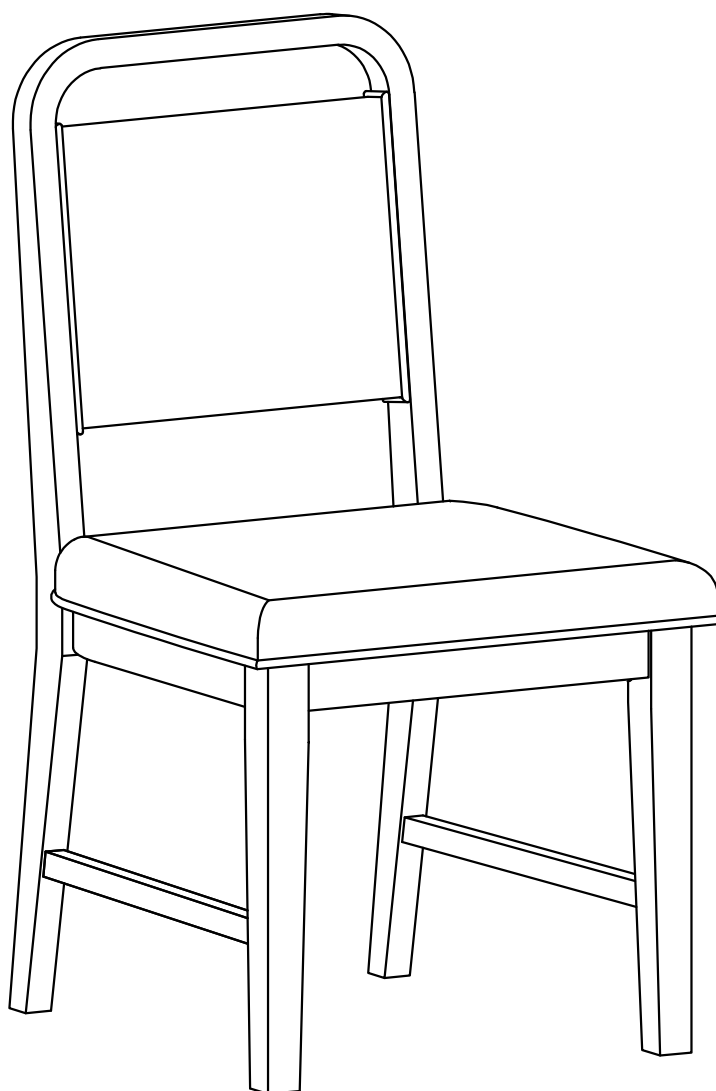
COMPLETE



ASSEMBLY INSTRUCTION

ITEM NO.N715P406521

Dining Chair



ASSEMBLY INSTRUCTION

ITEM NO.N715P406521

Please read these instructions fully before starting assembly:

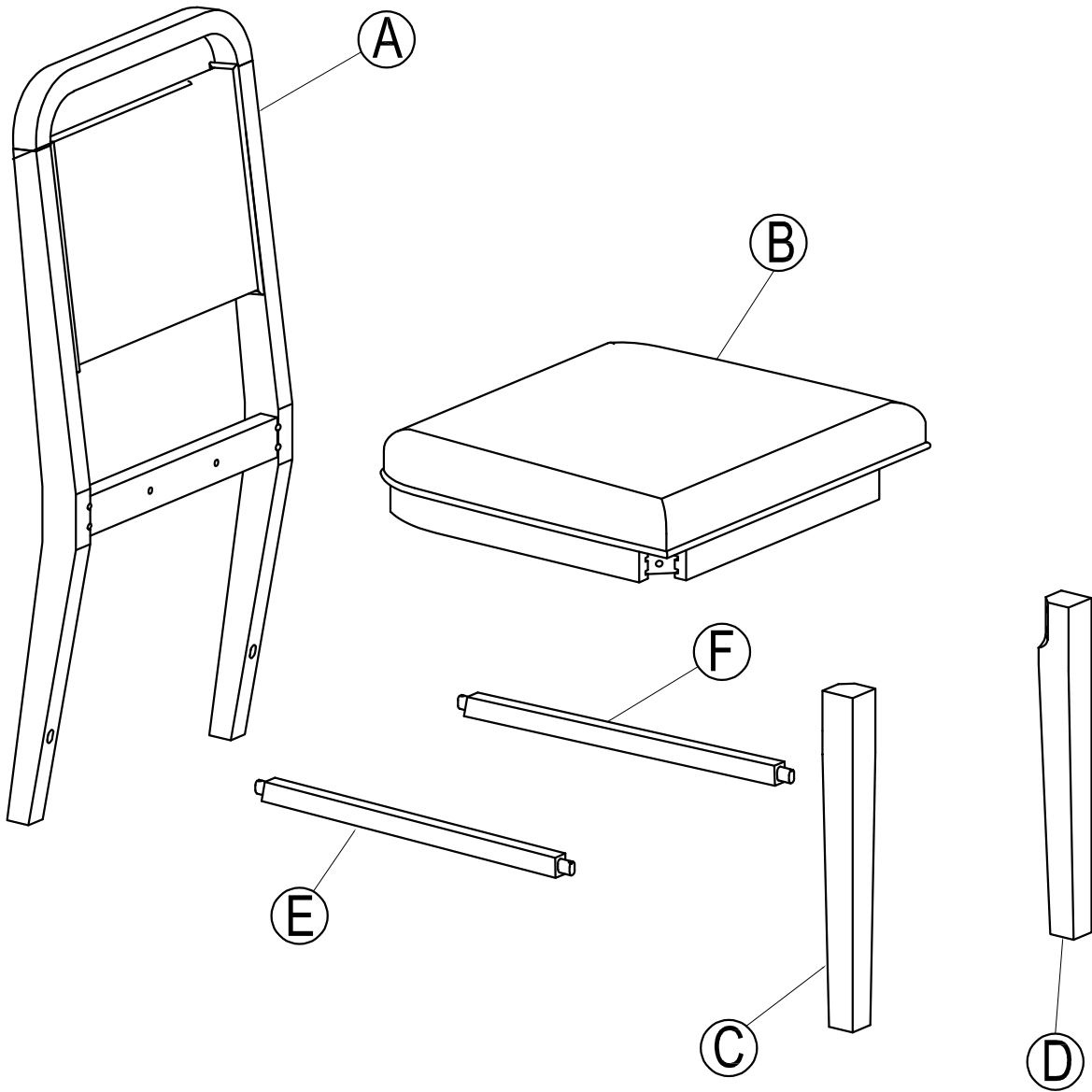
1. Place all wooden parts on a clean and smooth surface such as a rug or carpet to avoid scratching the parts.
2. Kindly follow the assembly instructions step by step.
3. Do not tighten all screws and bolts until the table is fully assembled.
4. Unscrew the protective plastique supports from the metal insert of the table legs before assembly.
5. Parts of the assembly will be easier with 2 people.

Care and maintenance:

Only clean using a damp cloth and mild detergent, do not use bleach or abrasive cleaners.

ASSEMBLY INSTRUCTION

ITEM NO.N715P406521

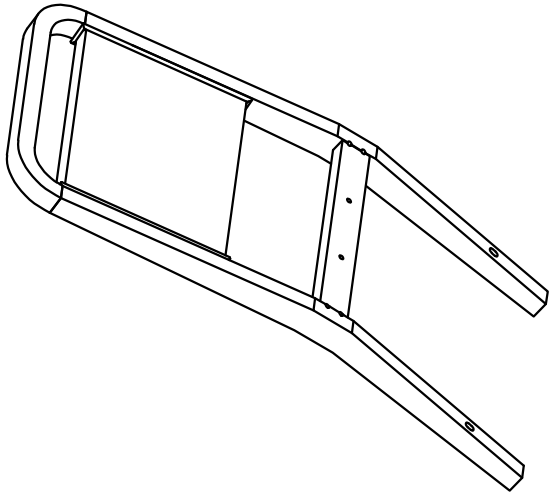


ASSEMBLY INSTRUCTION

ITEM NO.N715P406521

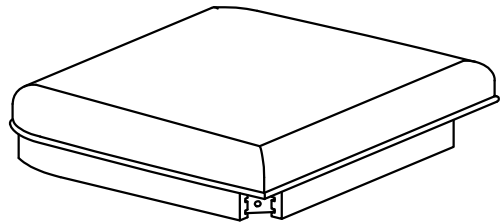
Part List

(A)



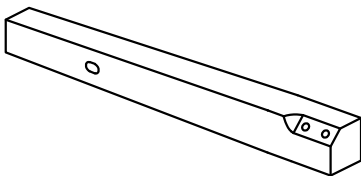
BACK FRAME (2 pcs)

(B)



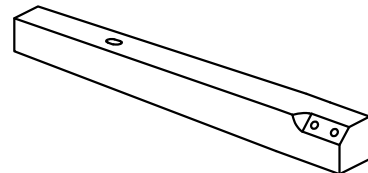
SEAT FRAME (2 pcs)

(C)



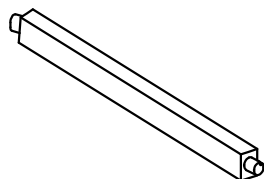
LEG LEFT (2 pcs)

(D)



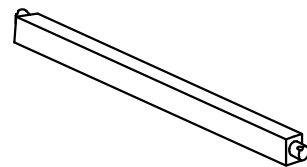
LEG RIGHT (2 pcs)

(E)



LEFT SIDE STRETCHER (2 pcs)

(F)

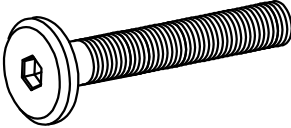
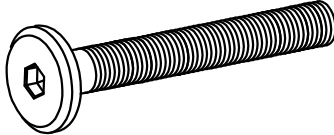
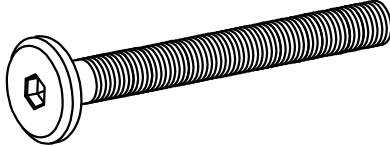

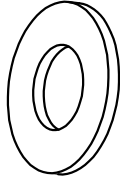

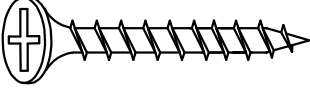
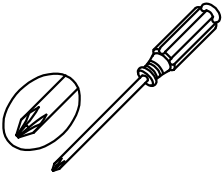


RIGHT SIDE STRETCHER (2 pcs)

ASSEMBLY INSTRUCTION

ITEM NO.N715P406521

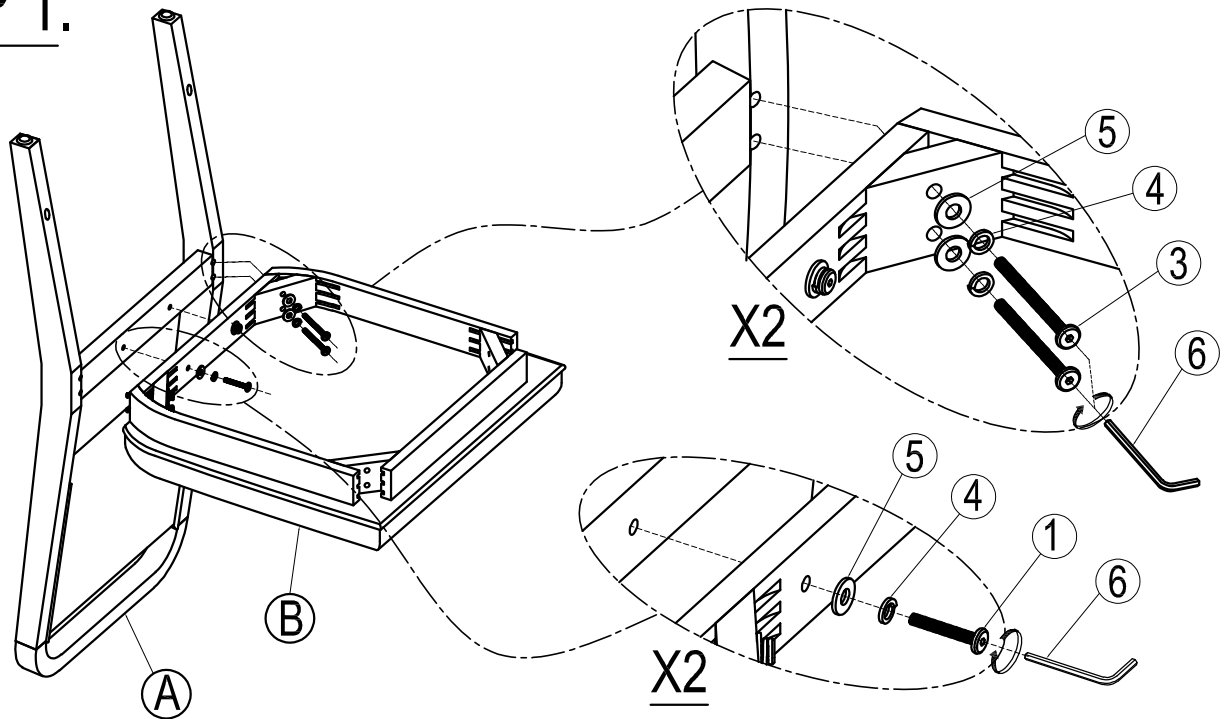
Hardware List






<p>①</p>  <p>Ø 1/4" x 40 mm</p> <p>BOLT (4 pcs)</p>	<p>②</p>  <p>Ø 1/4" x 55 mm</p> <p>BOLT (8 pcs)</p>
<p>③</p>  <p>Ø 1/4" x 75 mm</p> <p>BOLT (8 pcs)</p>	<p>④</p>  <p>Ø5/16" x 13 mm</p> <p>LOCK WASHER (20 pcs)</p>
<p>⑤</p>  <p>Ø5/16" x 19 x 2mm</p> <p>FLAT WASHER (20 pcs)</p>	<p>⑥</p>  <p>4 mm</p> <p>ALLEN KEY (2 pc)</p>
<p>⑦</p>  <p>Ø4 x 38 mm</p> <p>WOOD SCREWS (8 pcs)</p>	<p>Tools Requires</p>  <p>NOT INCLUDED</p>

ASSEMBLY INSTRUCTION

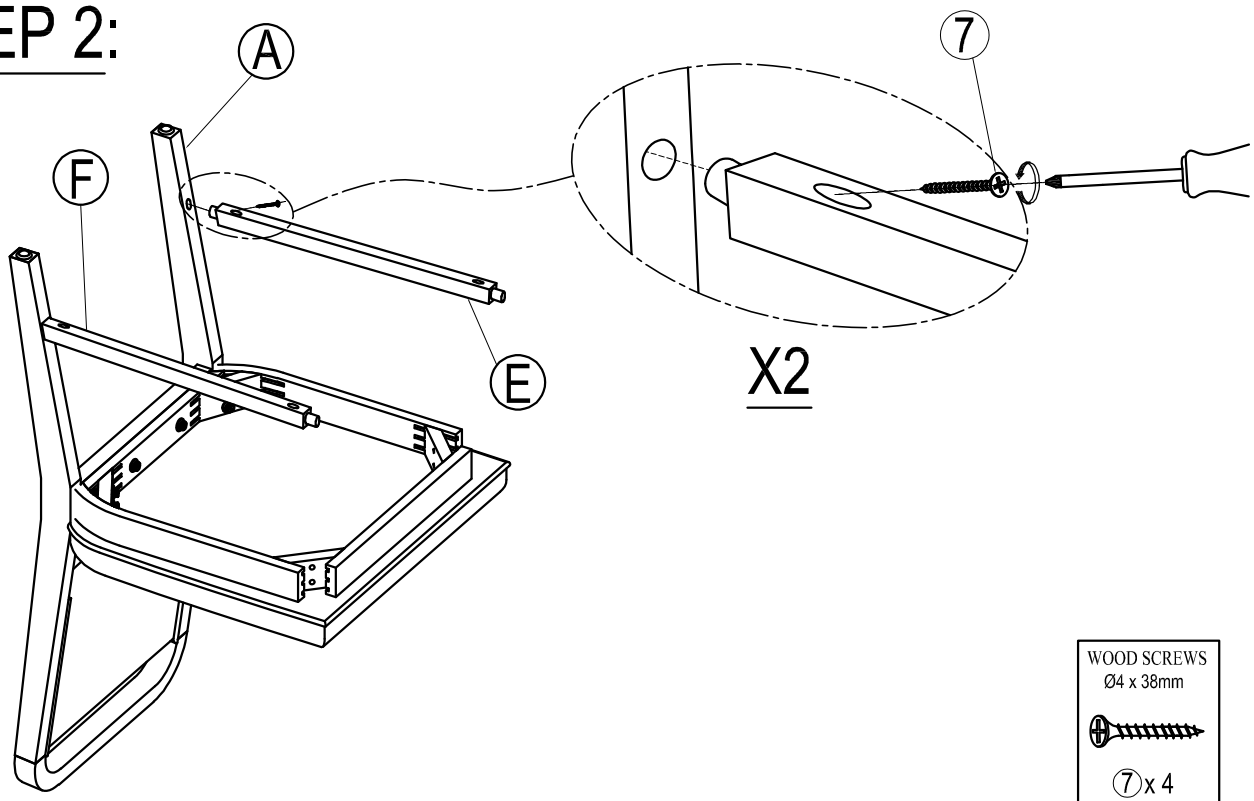
ITEM NO.N715P406521

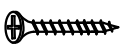
STEP 1:



BOLT Ø 1/4" x 40 mm	BOLT Ø 1/4" x 75 mm	LOCK WASHER Ø5/16" x 13 mm	FLAT WASHER Ø5/16" x 19 x 2mm	ALLEN KEY 4 mm
				
① x 4	③ x 8	④ x 12	⑤ x 12	⑥ x 1

STEP 2:

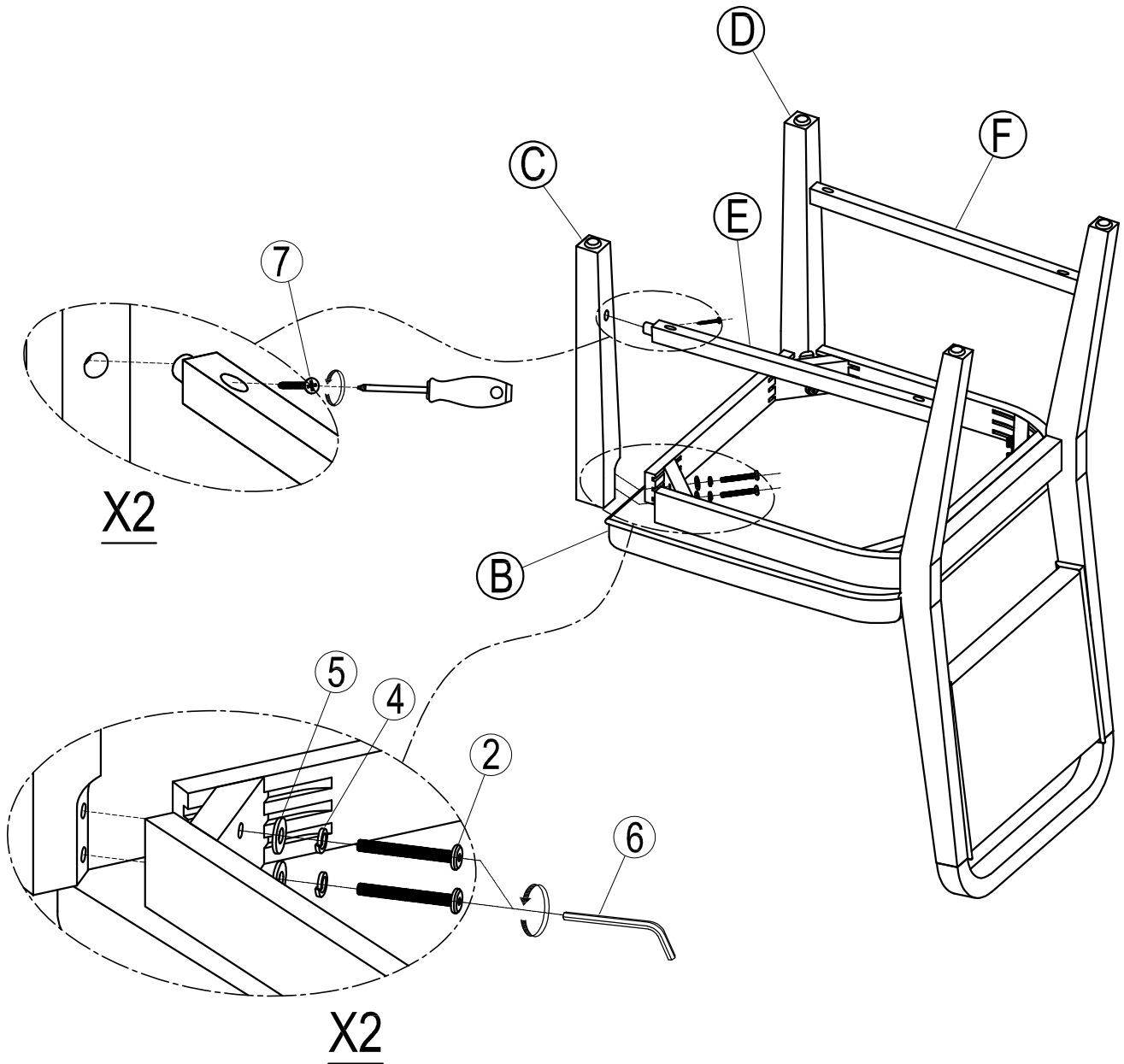





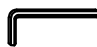
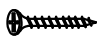
WOOD SCREWS Ø4 x 38mm

⑦ x 4

ASSEMBLY INSTRUCTION

ITEM NO.N715P406521

STEP 3:

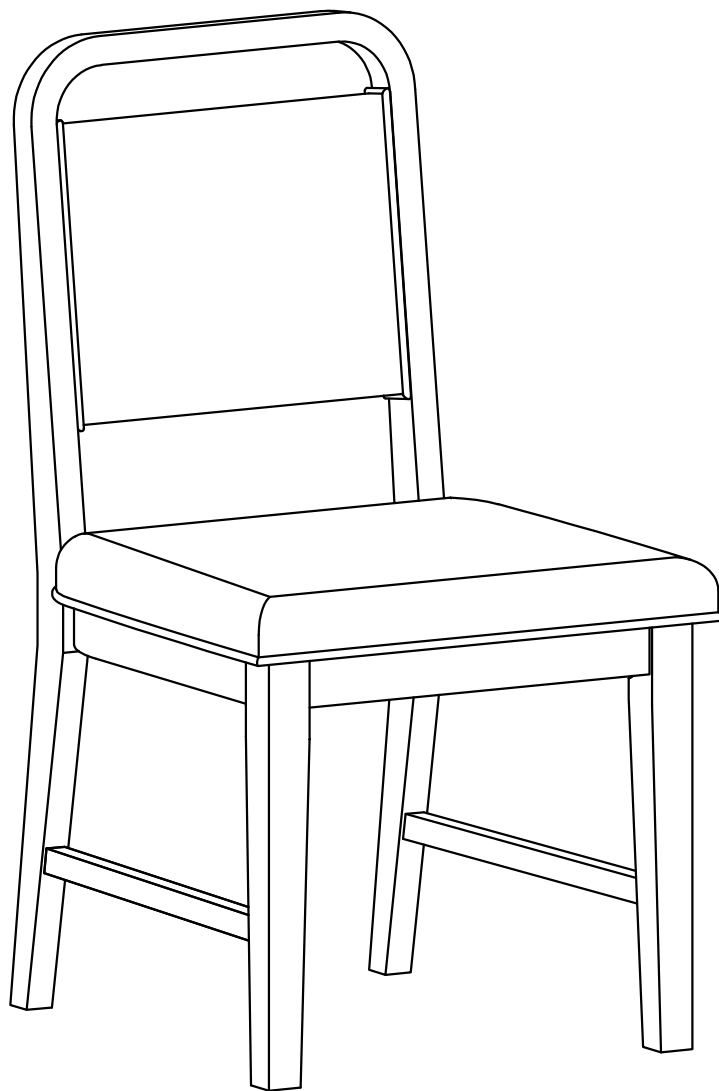


BOLT	LOCK WASHER	FLAT WASHER	ALLEN KEY	WOOD SCREWS
Ø 1/4" x 55 mm	Ø5/16" x 13 mm	Ø5/16" x 19 x 2mm	4 mm	Ø4 x 38mm
				
②x 8	④x 8	⑤x 8	⑥x 1	⑦x 4

ASSEMBLY INSTRUCTION

ITEM NO.N715P406521

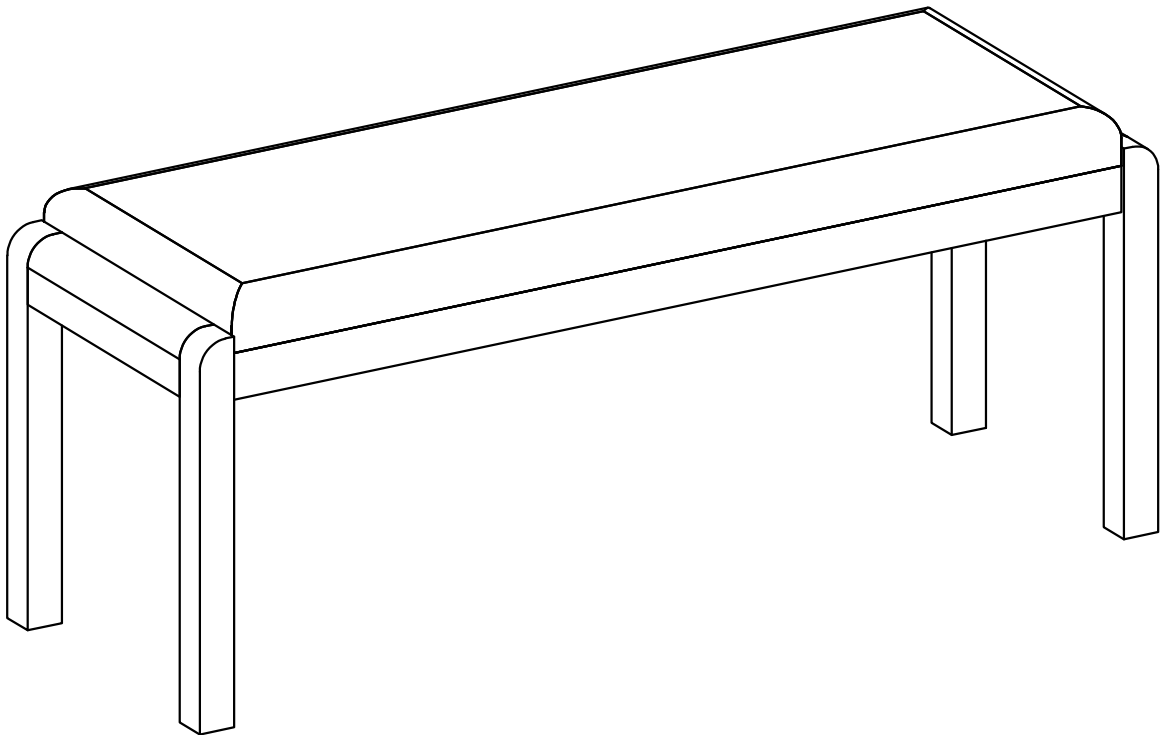
COMPLETE



ASSEMBLY INSTRUCTION

ITEM NO.N715P406521

Dining Bench



ASSEMBLY INSTRUCTION

ITEM NO.N715P406521

Please read these instructions fully before starting assembly:

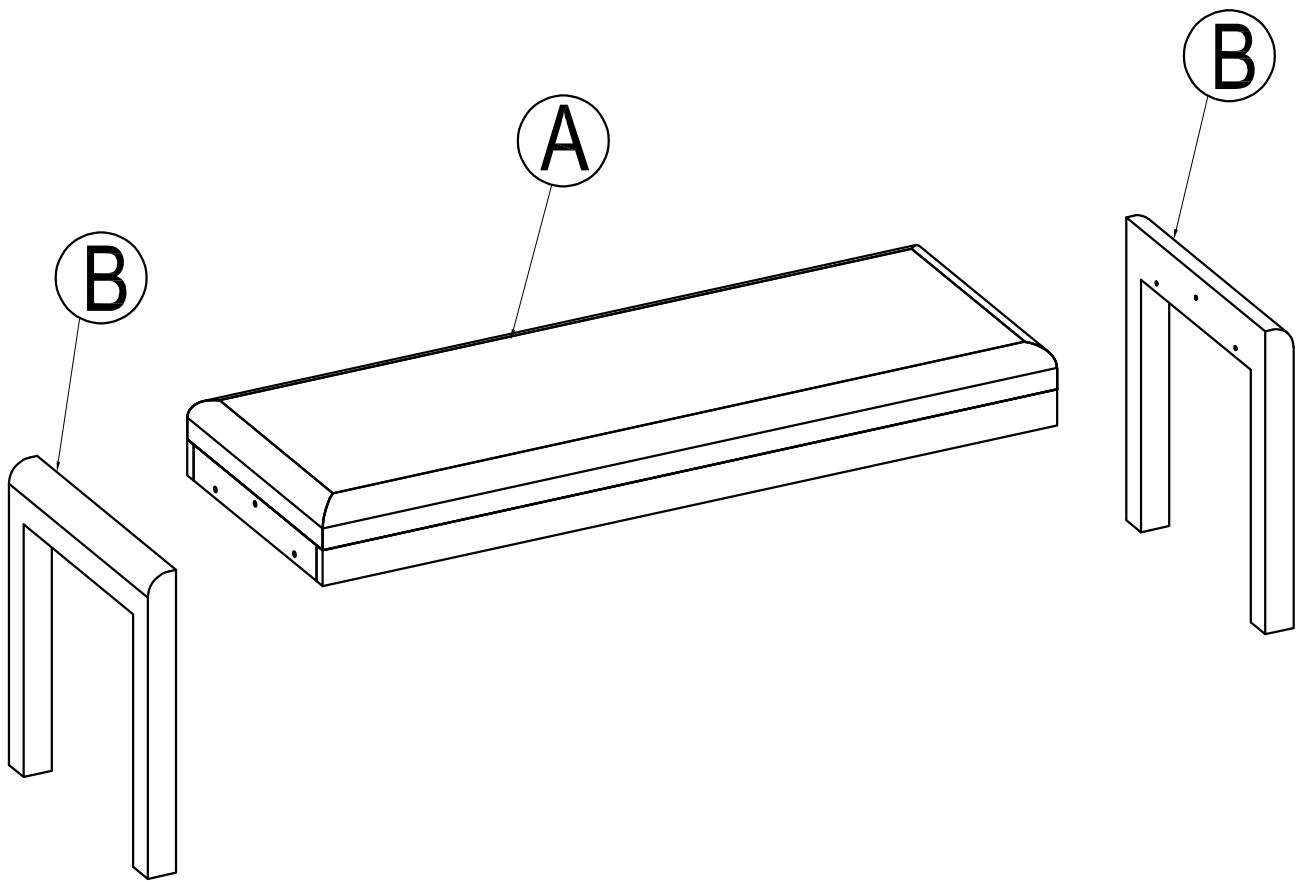
1. Place all wooden parts on a clean and smooth surface such as a rug or carpet to avoid scratching the parts.
2. Kindly follow the assembly instructions step by step.
3. Do not tighten all screws and bolts until the table is fully assembled.
4. Unscrew the protective plastique supports from the metal insert of the table legs before assembly.
5. Parts of the assembly will be easier with 2 people.

Care and maintenance:

Only clean using a damp cloth and mild detergent, do not use bleach or abrasive cleaners.

ASSEMBLY INSTRUCTION

ITEM NO.N715P406521

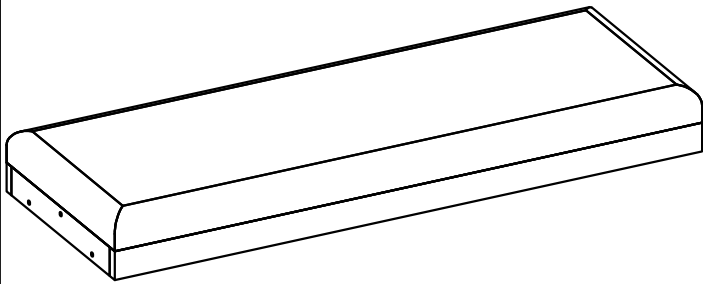


ASSEMBLY INSTRUCTION

ITEM NO.N715P406521

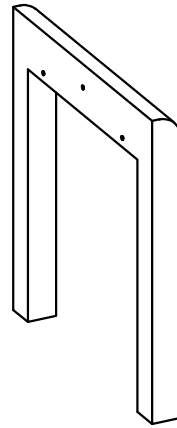
Part List

(A)



BENCH CUSHION SEAT (1 pc)

(B)



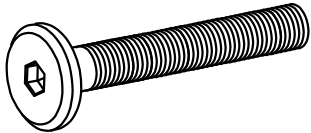
LEG (2 pcs)

ASSEMBLY INSTRUCTION

ITEM NO.N715P406521

Hardware List

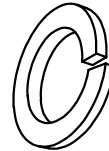
①



Ø 1/4" x 40mm

BOLT (6 pcs)

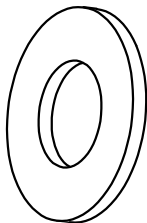
②



Ø5/16" x 13mm

LOCK WASHER (6 pcs)

③



Ø5/16" x 19 x 2mm

FLAT WASHER (6 pcs)

④



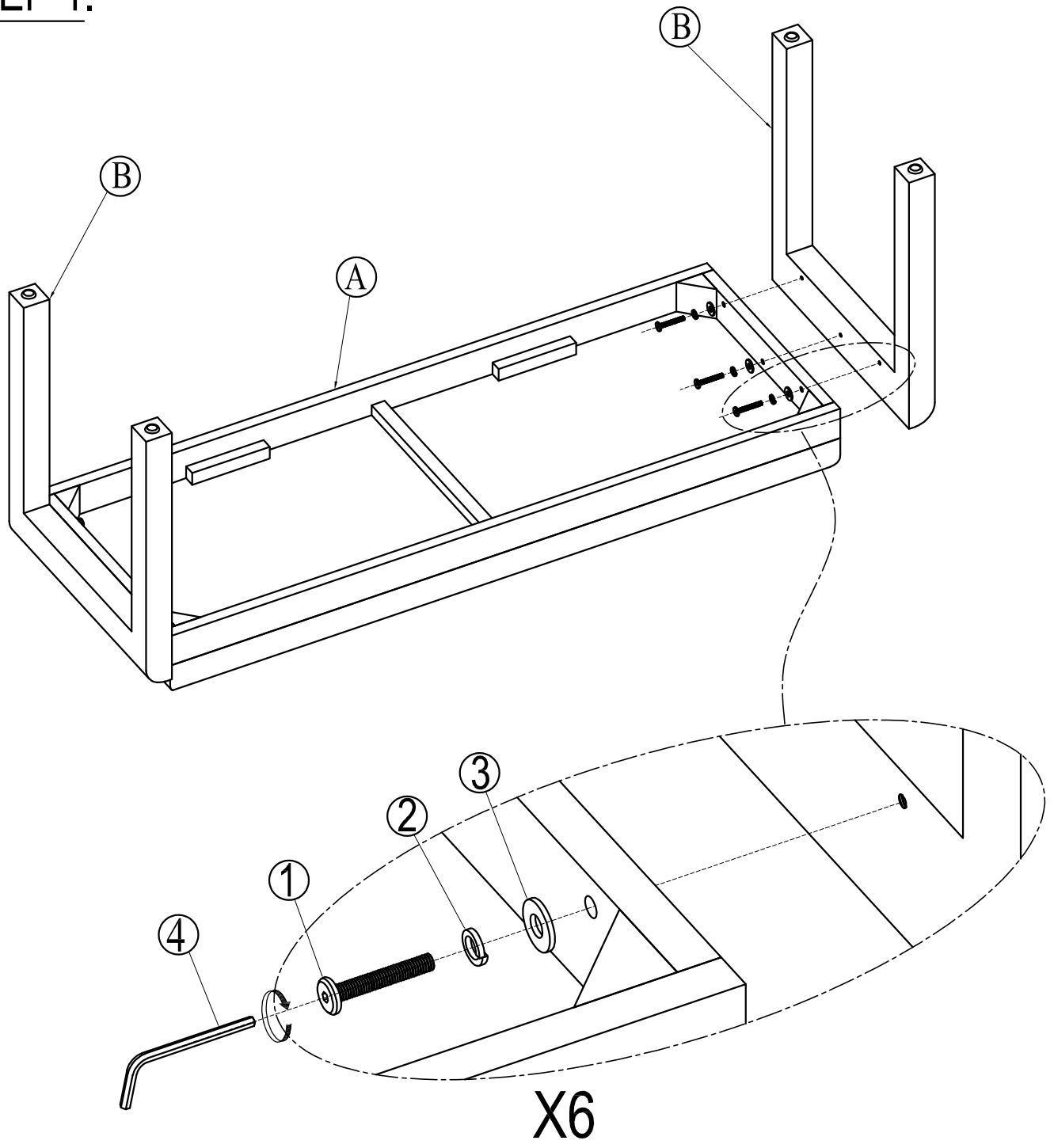
4mm




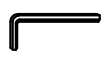
ALLEN KEY (1pc)

ASSEMBLY INSTRUCTION

ITEM NO.N715P406521

STEP 1:



BOLT Ø 1/4" x 40 mm	LOCK WASHER Ø5/16" x 13 mm	FLAT WASHER Ø5/16" x 19 x 2mm	ALLEN KEY 4 mm
			
① x 6	② x 6	③ x 6	④ x 1

ASSEMBLY INSTRUCTION

ITEM NO.N715P406521

COMPLETE

