



ITEM #2528588, 2528587
2528591, 2528590

VANITY BAR FITTER

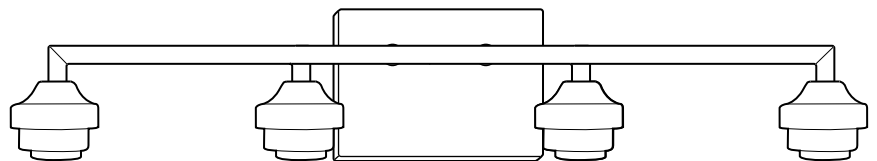
MODEL #VB120-2CH, VB120-3CH
VB120-3BK, VB120-4BK

STYLE SELECTIONS and logo design are trademarks or registered trademarks of LF, LLC. All rights reserved.

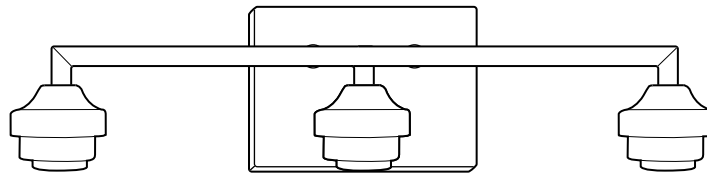
Français p. 9

Español p. 17

ATTACH YOUR RECEIPT HERE



MODEL #VB120-4BK



MODEL #VB120-3CH
VB120-3BK



MODEL #VB120-2CH



APPROVED FOR USE
IN DAMP LOCATIONS

Purchase Date _____



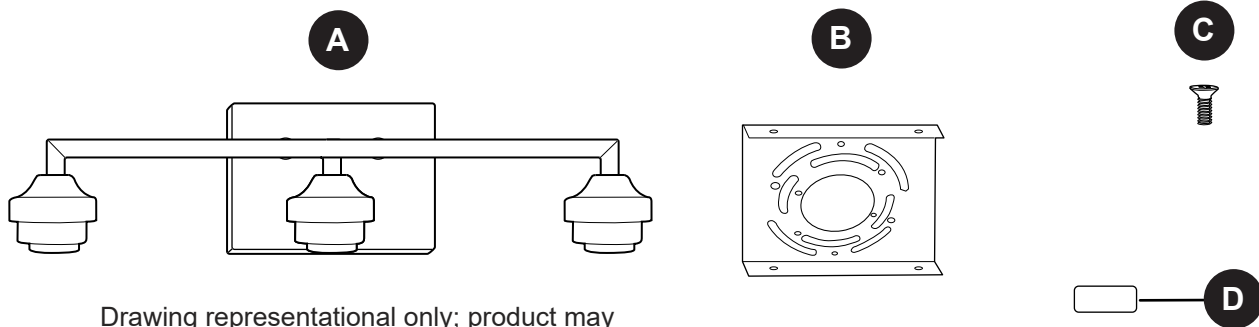
Questions, problems, missing parts? Before returning to your retailer, call our customer service department at **1-877-888-8225**, 8 a.m. - 8 p.m., EST, Monday - Sunday.

TABLE OF CONTENTS

| | |
|-----------------------------|---|
| Package Contents | 2 |
| Hardware Contents | 3 |
| Safety Information | 3 |
| Preparation | 4 |
| Assembly Instructions | 5 |
| Care and Maintenance | 8 |
| Troubleshooting..... | 8 |
| Warranty | 8 |

PACKAGE CONTENTS

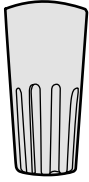
| PART | DESCRIPTION | #2528588 QUANTITY | #2528587 QUANTITY | #2528591 QUANTITY | #2528590 QUANTITY |
|------|----------------------------------|----------------------|----------------------|----------------------|----------------------|
| A | Fixture | 1 | 1 | 1 | 1 |
| B | Mounting Plate (preassembled) | 1 | 1 | 1 | 1 |
| C | Screw (preassembled) | 4 | 4 | 4 | 4 |
| D | Socket Ring (preassembled) | 2 | 3 | 3 | 4 |



Drawing representational only; product may vary in appearance.

HARDWARE CONTENTS (shown actual size)

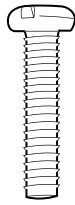
AA



Wire
Connector

Qty. 3

BB



Machine
Screw

Qty. 2

SAFETY INFORMATION

READ AND SAVE THESE INSTRUCTIONS.

DANGER

- For your protection and safety, carefully read and understand the information provided in this manual completely before attempting to assemble, install or operate this product. Failure to do so could lead to electrical shock, fire or other injuries that could be hazardous or even fatal.
- DO NOT connect this fixture to an electrical system that does not provide a means for equipment grounding. Never use a fixture in a two-wire system that is not grounded. Installing a fixture into an electrical system not having a proper grounding means could cause metal parts of the fixture to carry electrical currents if any of the fixture wires, wire connections or splices were to become broken, cut or loose during the mounting or normal operation of the fixture. Under this condition, anyone coming in contact with the fixture would be subject to electrical shock, which could cause serious injury or death.
- DO NOT connect the bare or green insulation fixture ground wire to the black (HOT) current-carrying wire or the white NEUTRAL house wire. Connection of the bare or green fixture ground wire to the black or white house wires may cause metal parts of the fixture to carry electrical currents. Under this condition anyone coming in contact with the fixture will receive electrical shock, which could cause serious injury or death.
- DO NOT damage or cut the wire insulation (covering) during installation of fixture. DO NOT permit wires to contact any surface having a sharp edge. To do so may damage or cut the wire insulation, which could cause serious injury or death from electrical shock.

WARNING

- All electrical connections must be in agreement with local codes and ordinances, the National Electric Code (NEC) and ANSI/NFPA 70-1999. Contact your municipal building department to learn about your local codes, permits and/or inspections. Risk of fire - most dwellings built before 1985 have supply wire rated for 140°F (60 °C). Consult a qualified electrician before installation.
- To avoid personal injury, the use of gloves may be necessary while handling fixture parts with sharp edges.

SAFETY INFORMATION

- DO NOT suspend any fixture by the house wires. A fixture must always be mounted directly to an outlet box or to a mounting strap that is first attached to the outlet box. Wire connectors will not support the weight of a fixture. Suspending a fixture by the house wires and wire connectors will result in the fixture falling, with the possibility of personal injury and the danger of electrical shock or fire.
- To reduce the risk of fire, electrical shock or personal injury, wire connectors provided with this light fixture are designed to accept only one 12-gauge house wire and two lead wires from the light fixture. If your house wire is larger than 12-gauge or there is more than one house wire to connect to the corresponding fixture lead wires, consult an electrician for the proper size wire connectors to use.

CAUTION

- TURN OFF ELECTRICITY at main fuse box (or circuit breaker box) before beginning installation by removing the fuse (or switching the circuit breaker off).
- If you are not sure the lighting system has a grounding means, DO NOT attempt to install this fixture. Contact a qualified, licensed electrician for information regarding the proper grounding methods as required by the local electrical code in your area.
- All fixtures must be mounted to an outlet box that is supported by the building structure.
- DO NOT use bulbs having a wattage greater than the maximum value stated on the fixture. The use of bulbs with higher wattage than specified will increase temperatures and risk of fire.
- If a dimmer control switch is used with this fixture, obtain professional advice to determine the correct type to use as well as the electrical rating required.

PREPARATION

Before beginning assembly of product, make sure all parts are present. Compare parts with package contents list and hardware contents list. If any part is missing or damaged, do not attempt to assemble the product.

Estimated Assembly Time: 30 minutes

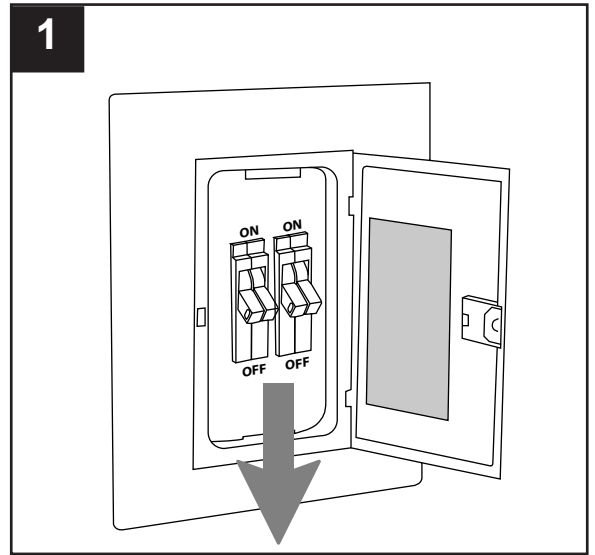
Tools Required for Assembly (not included): Flathead Screwdriver, Phillips Screwdriver, Wire Strippers, Pliers, Wire Cutters, Safety Glasses, Stepladder, Electrical Tape

Helpful Tools (not included): A/C Tester Light, Do-It-Yourself Guide, Soft Cloth, Level

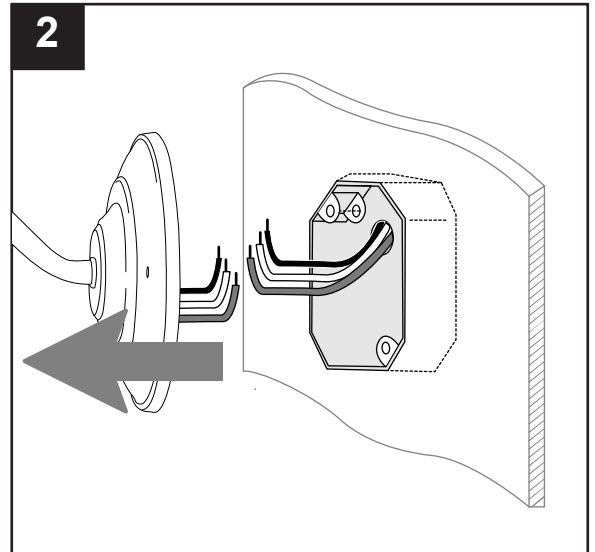
ASSEMBLY INSTRUCTIONS

1. Turn off circuit breakers and wall switch to the fixture supply line leads.

⚠ DANGER: Failure to disconnect power supply prior to installation may result in serious injury or death.

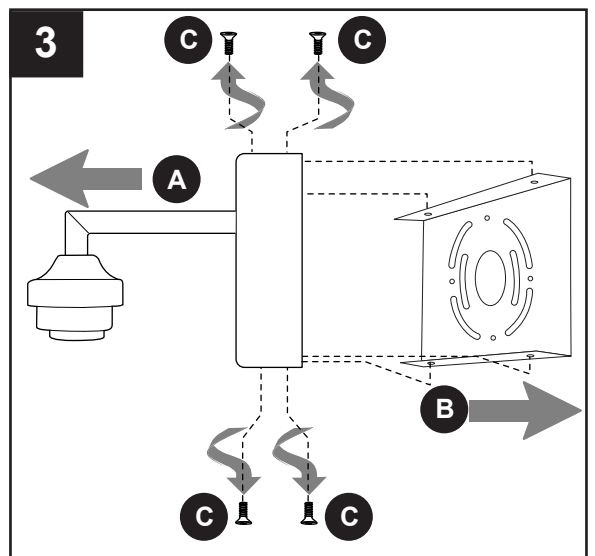


2. Remove existing fixture and disconnect all electrical wiring.



3. Remove mounting plate (B) from fixture (A) by removing mounting plate screws (C) from the edges of the fixture (A).

Save mounting plate screws (C) for later use.



ASSEMBLY INSTRUCTIONS

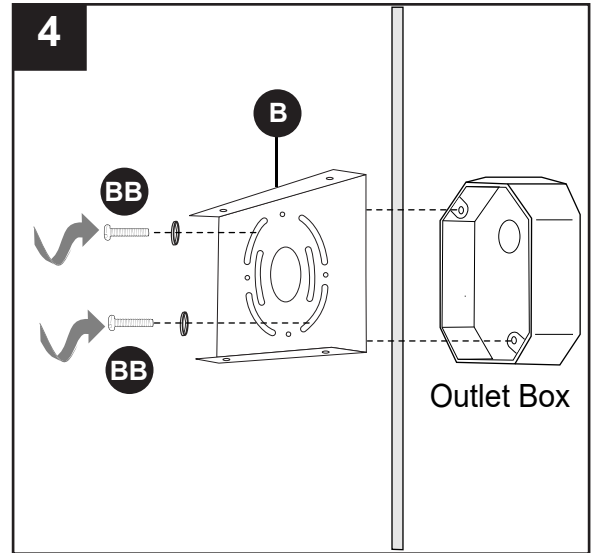
4. Attach mounting plate (B) to outlet box (not included) using existing washers and outlet box screws or the machine screws (BB).

NOTE: If the outlet box screws required for your outlet box are of a different size than the machine screws (BB), consult a licensed electrician before proceeding. Tighten machine screws (BB) to secure mounting plate (B).

⚠ CAUTION: The fixture must be mounted to an outlet box that is supported by the building structure. Plastic outlet boxes are not recommended.

Hardware Used

BB Machine Screw  x 2



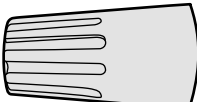
5. Unwrap BARE fixture wire from BLACK and WHITE fixture wires. Prepare wires by stripping 3/4 in. of insulation from wire ends using wire strippers (not included). Connect WHITE wire from fixture (A) to WHITE wire from outlet box using existing wire connector or wire connector (AA). Connect BLACK wire from fixture (A) to BLACK wire from outlet box using existing wire connector or wire connector (AA). Connect BARE/GREEN ground wire from outlet box to BARE ground wire from fixture (A) with wire connector (AA).

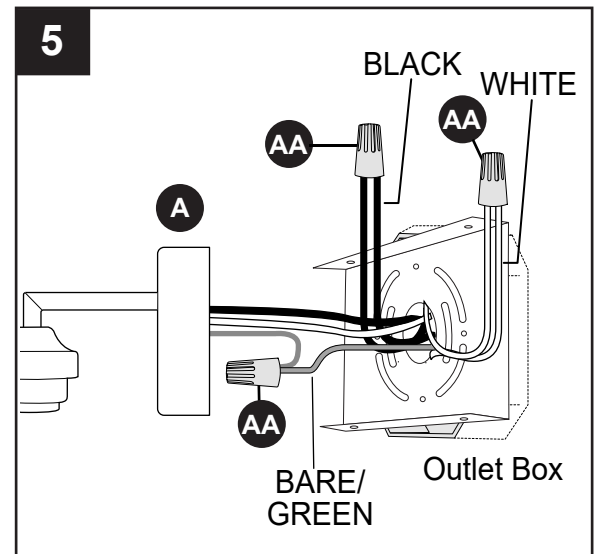
NOTE: Screw wire connectors (AA) on in a clockwise direction.

⚠ WARNING: Never connect ground wire to WHITE or BLACK power supply wires.

⚠ WARNING: To reduce the risk of fire, electrical shock or personal injury, wire connectors (AA) are designed to accept only one 12-gauge house wire and two lead wires from the light fixture. If your house wire is larger than 12-gauge or there is more than one house wire to connect to the corresponding fixture lead wires, consult an electrician for the proper size wire connectors to use.

Hardware Used

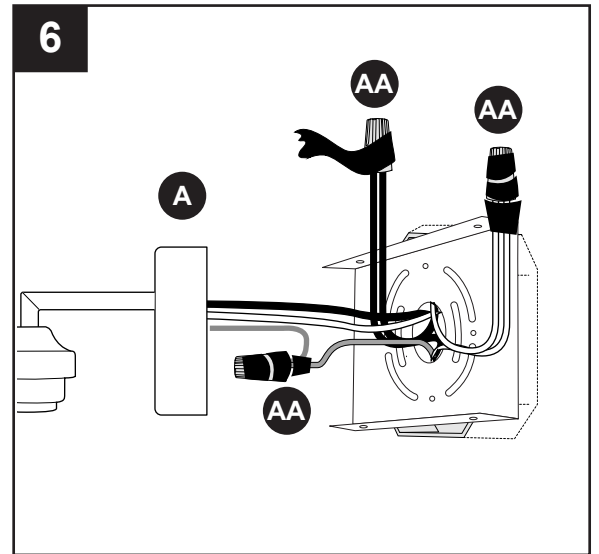
AA Wire Connector  x 3



ASSEMBLY INSTRUCTIONS

6. Wrap electrical tape (not included) around each individual wire connector (AA) down to the wire. Push wire connectors (AA) gently back into outlet box. Carefully push excess wiring into outlet box.

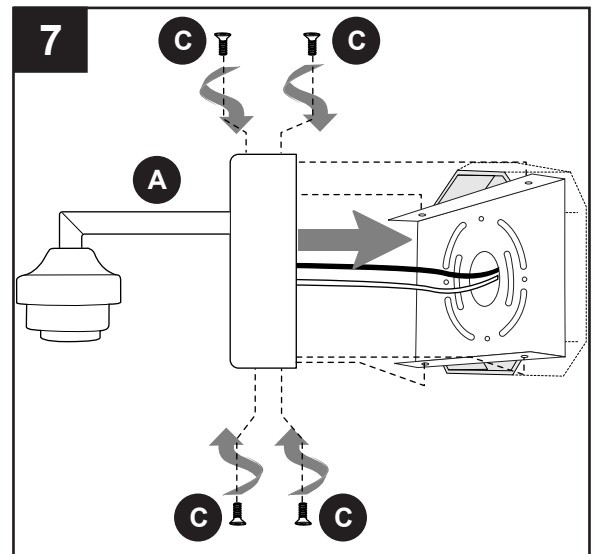
⚠ WARNING: Make sure no bare wire or wire strands are visible after making connections.



7. Attach fixture (A) to mounting plate (B) using the mounting plate screws (C) previously removed (Step 3, Page 5).

NOTE: Before tightening mounting plate screws (C) completely, use level (not included) to check fixture (A) -- adjust if necessary.

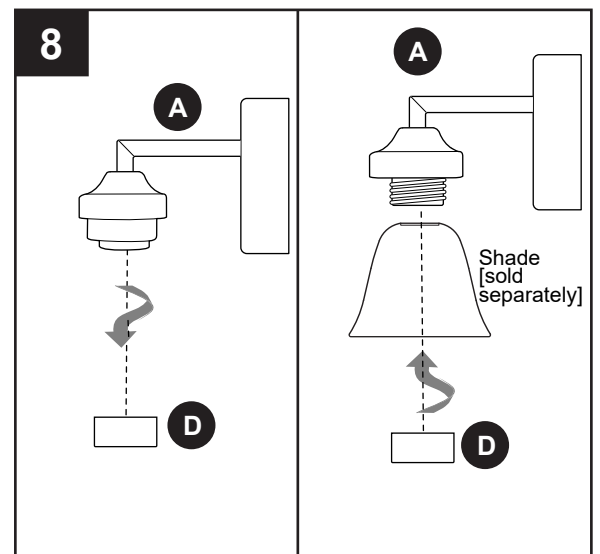
NOTE: Fixture (A) can be installed with the sockets facing either up or down.



8. Remove socket ring (D) from socket of fixture (A). Attach shade (sold separately) to socket, securing with socket ring (D).

Repeat for remaining sockets.

⚠ WARNING: Do not overtighten socket ring (D) as shade may crack or break.



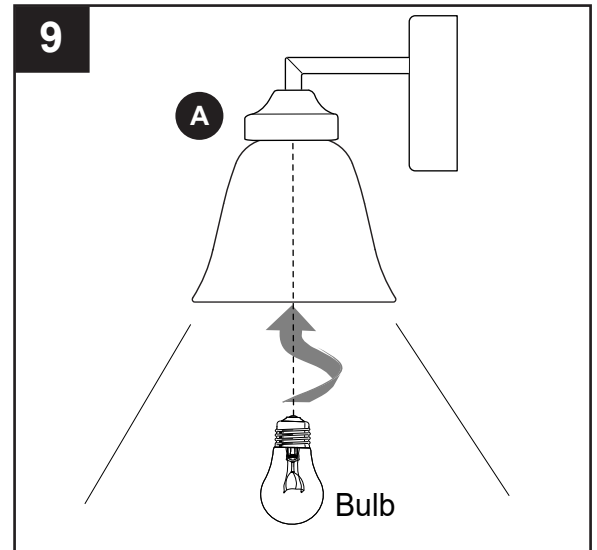
ASSEMBLY INSTRUCTIONS

9. Install standard-base bulbs (not included). Use 60-watt max. incandescent bulbs or CFL/LED equivalent.

⚠ WARNING: When replacing bulb(s), please allow bulbs and fixture to cool down before touching.

Restore power and test fixture (A).

If lights do not function, please refer to TROUBLESHOOTING below.



CARE AND MAINTENANCE

- Shut off main power supply. Wipe with soft cloth or use window cleaner. Do not use an abrasive cleaner.

TROUBLESHOOTING

⚠ WARNING: Before beginning work, shut off the power supply to avoid electrical shock.

| PROBLEM | POSSIBLE CAUSE | CORRECTIVE ACTION |
|--|---|--|
| Bulb will not light. | <ol style="list-style-type: none"> 1. Bulb is burned out. 2. Power is OFF. 3. Faulty connection. | <ol style="list-style-type: none"> 1. Replace light bulb. 2. Make sure power supply is ON. 3. Check wiring and all connections. |
| Fuse blows out or circuit breaker trips. | <ol style="list-style-type: none"> 1. Crossed wires. 2. Power wire is grounding out. | <ol style="list-style-type: none"> 1. Check wiring. 2. Check all connections. |

WARRANTY

The distributor warrants all of its lighting fixtures against defects in materials and workmanship for one (1) year from the date of purchase. If within this period the product is found to be defective, take a copy of the bill of sale as a proof of purchase and the product in its original carton to the place of purchase. The distributor will, at its option, repair, replace or refund the purchase price to the consumer. All costs of installation and removal of the fixture is the responsibility of the consumer. This warranty does not cover fixtures becoming defective due to misuse, accidental damage or improper handling and/or installation and specifically excludes liability for direct, incidental or consequential damages. As some states do not allow exclusions of limitations on an implied warranty, the above exclusion and limitation may not apply. This warranty gives you specific rights and you may also have other rights which may vary from state to state.