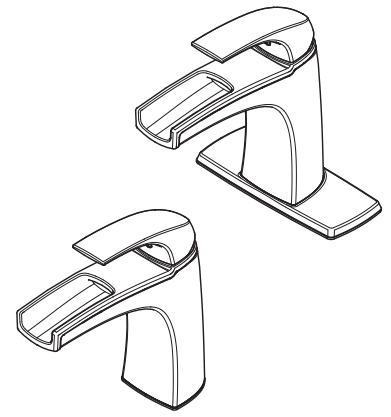


### Single Control Lavatory Faucet

- LF-042-KAOB Finish(B)
- LF-042-KAOC Finish(C)
- LF-042-KAOGS Finish(GS)



## Specifications

### Features

- 1.2 GPM Flow Rate
- All Metal Construction
- 1 or 3-Hole Installation
- Optional Deckplate Included
- Push & Seal™ Drain Included
- Spot Defense Finish Resists Spots and Fingerprints (GS Finish Only)
- Mounting Hardware Included
- Pfaster Connect Supply Lines
- TiteSeal™ Deckplate
- Trough Spout
- Pforever Seal Ceramic Disc Valve
- Pforever Warranty®

### Code Compliance

Pfister products are designed and manufactured in compliance with the following standards and codes:

- IAPMO Certified
- CSA B125 Certified
- ASME A112.18.1
- ASME A112.18.3 (Back Flow Prevention)
- NSF 61/9 & 372 (Low Lead)
- CEC Compliant
- Cal Green Compliant
- ADA Compliant-ANSI A117.1 (Lever Handles Only)
- EPA WaterSense Certification 1.2 gpm, 4.5 L/Min



## Dimensions

