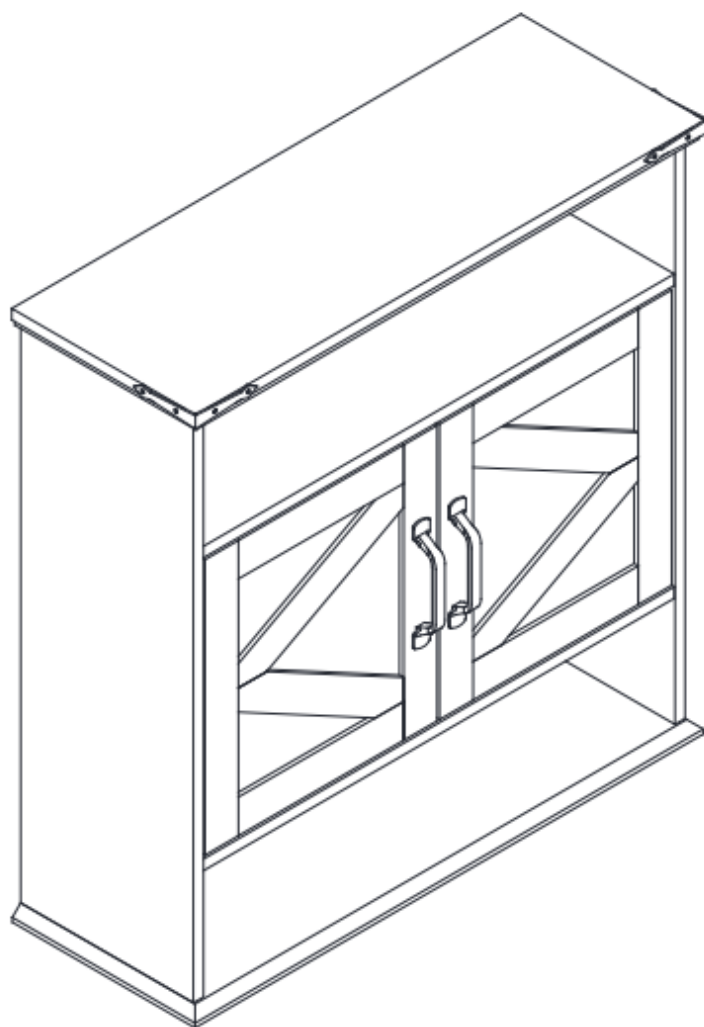


WALL CABINET

Product ID. 7AAYY



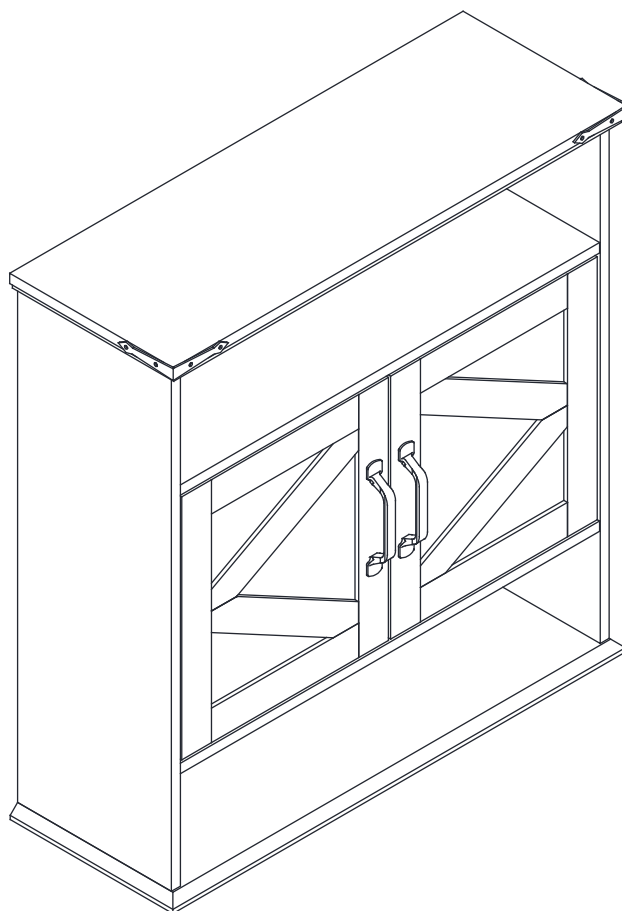
Scan for Support
support@garvee.com





















GARVEE.com

ASSEMBLY INSTRUCTIONS

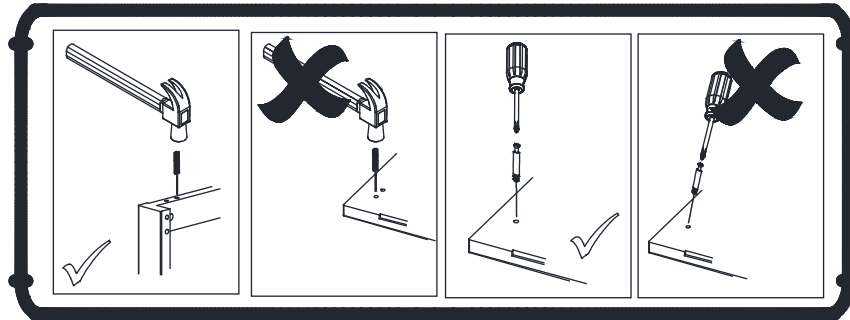
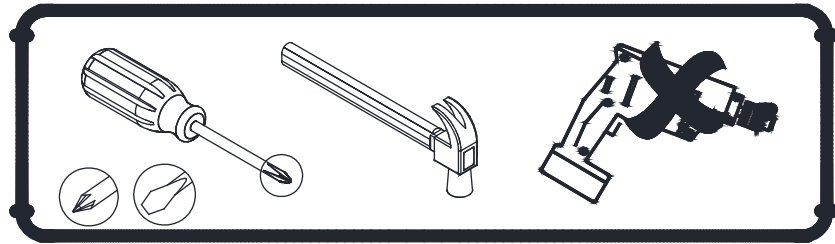
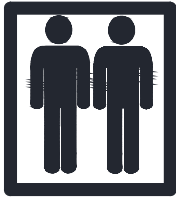
<<Before assembling, check all the hardwares and panels>>



Hardware:

Letter	Piece	Number	Letter	Piece	Number
A	 6x30mm	11pcs	K	 2pcs	2pcs
B	 6x35mm	16pcs	L	 4pcs	4pcs
C	 15x9.5mm	16pcs	M	 1pc	1pc
D	 2pcs	2pcs	N	 3x14mm	2pcs
E	 3x12mm	2pcs	O	 3x14mm	4sets
F	 4x35mm	2pcs	P	 5x45mm	4pcs
G	 4x18mm	4pcs	Q	 1pc	1pc
H	 4pcs	4pcs	R	 2pcs	2pcs
I	 2pcs	2pcs			
J	 4x12mm	8pcs			

Tools Required



CAUTION: Do not use tools other than those required, as this can damage your new item.

NOTE

- Please check you have all hardware before assembling.
- If you are missing any hardware, please contact the store of purchase.
- Please ensure you have the name of the item, required hardware part and quantity.
- Please retain your receipt as proof of purchase to validate your warranty.

CAUTION

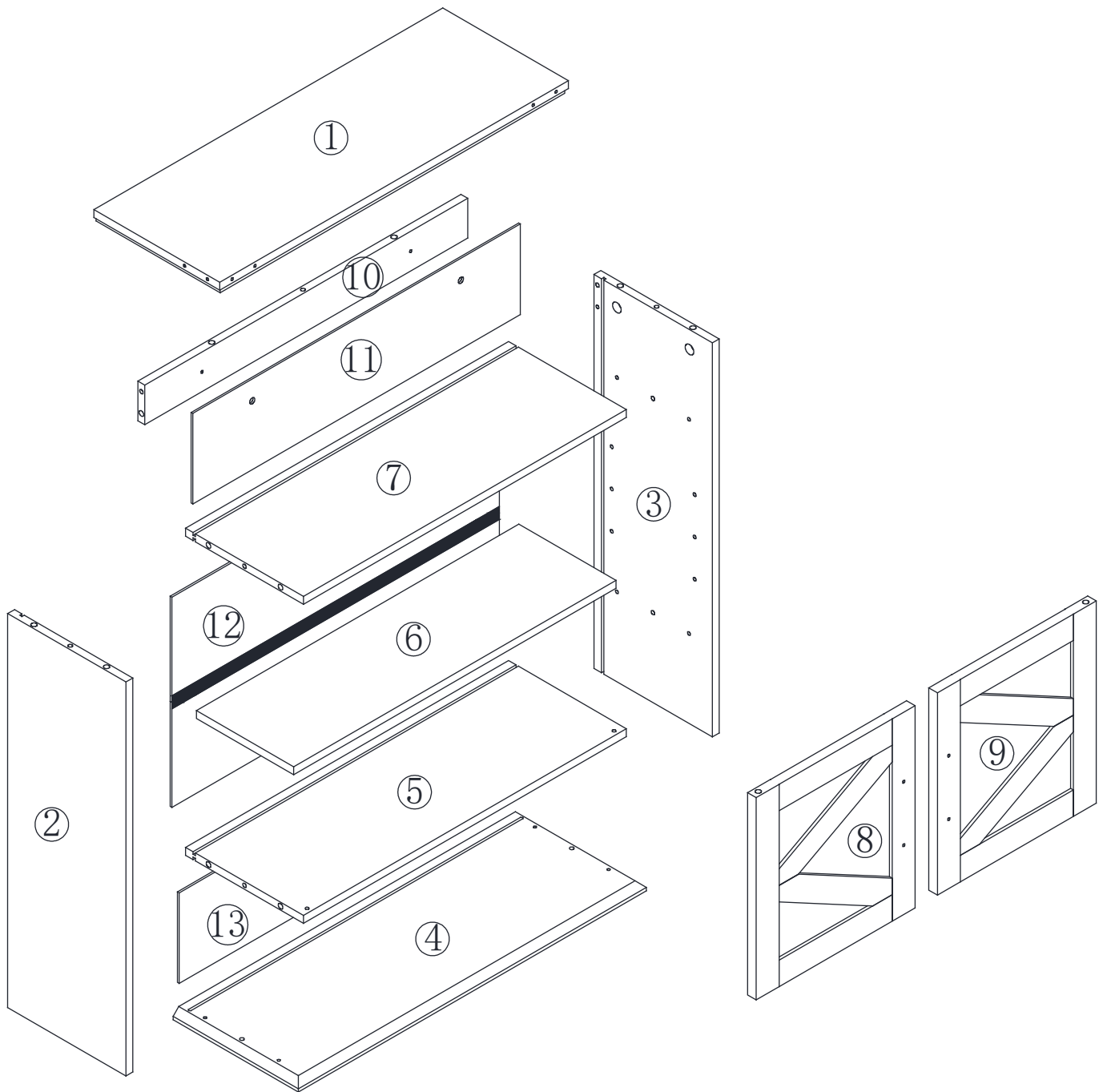
- Do not tighten screws before all screws are in the right place.
- Do not use this product unless all bolts, screws and knobs are firmly secured.
- Check that all bolts, screws and knobs are securely tightened at least every 4 months.

WARNING

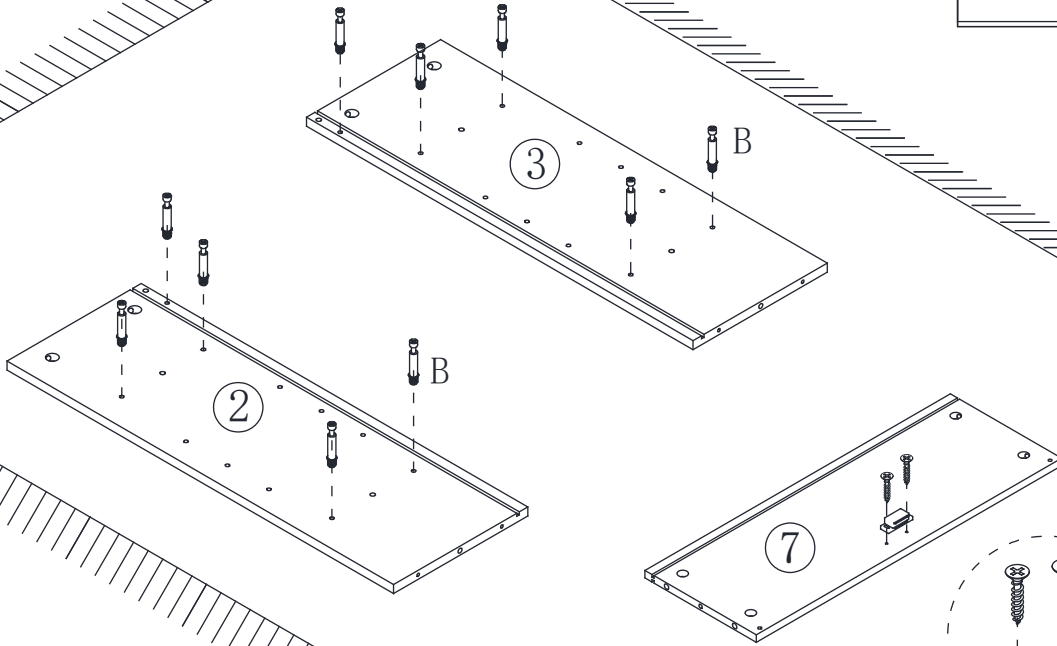
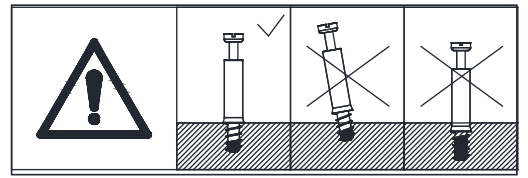
- If parts are missing, broken, damaged or worn stop using the product until all repairs are made using manufacturer authorised parts.
- Failure to follow these warnings could result in serious injury.




DANGER

- CHILDREN MUST BE SUPERVISED.

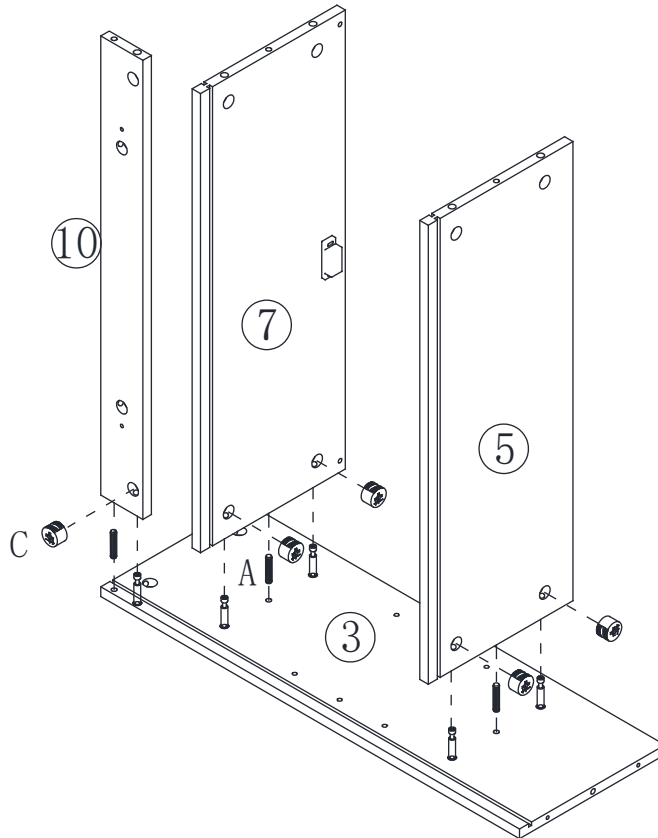
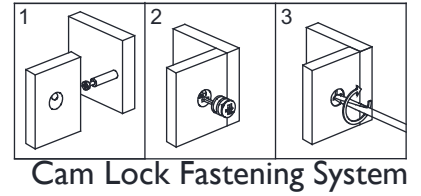


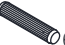

①



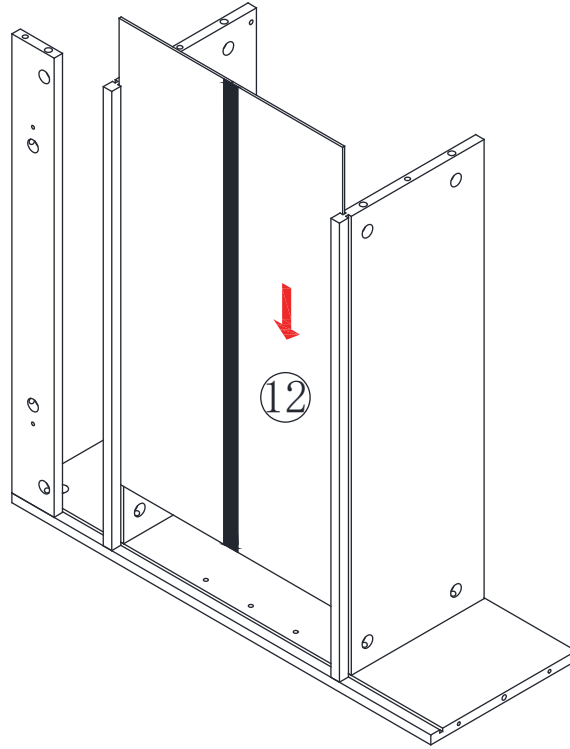
-  6x35mm (B)x10pcs
-  (M)x1pc
-  3x14mm (N)x2pcs

②

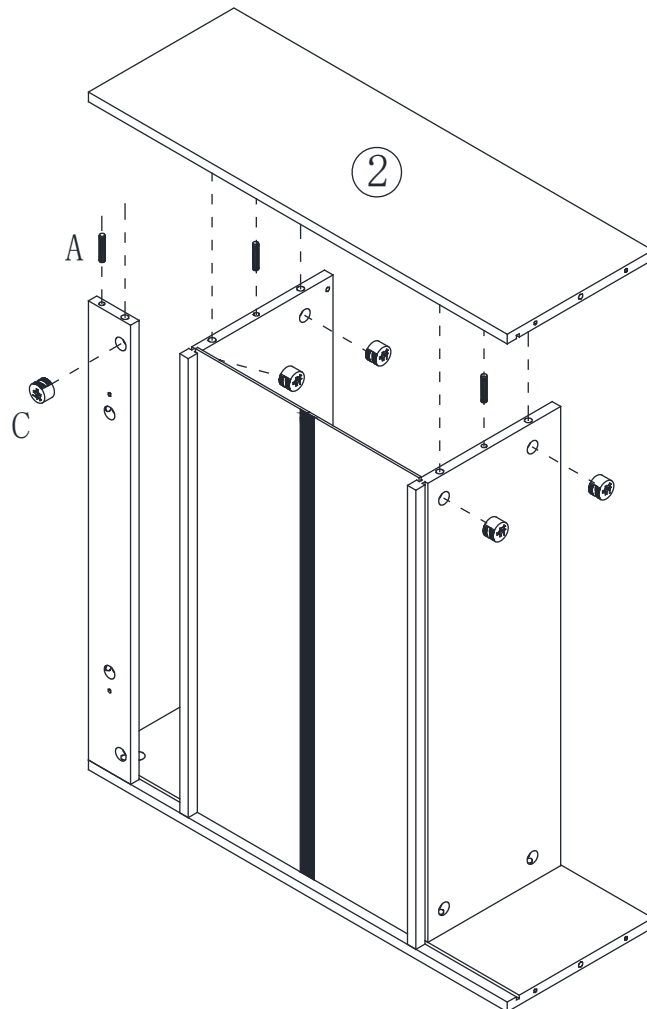


-  6x30mm (A)x3pcs
-  15x9.5mm (C)x5pcs

③

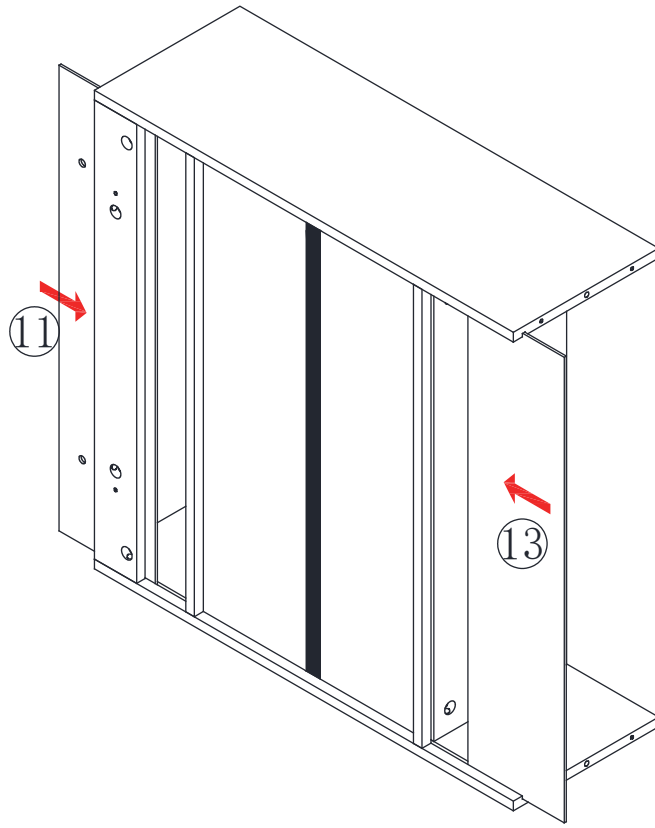


④

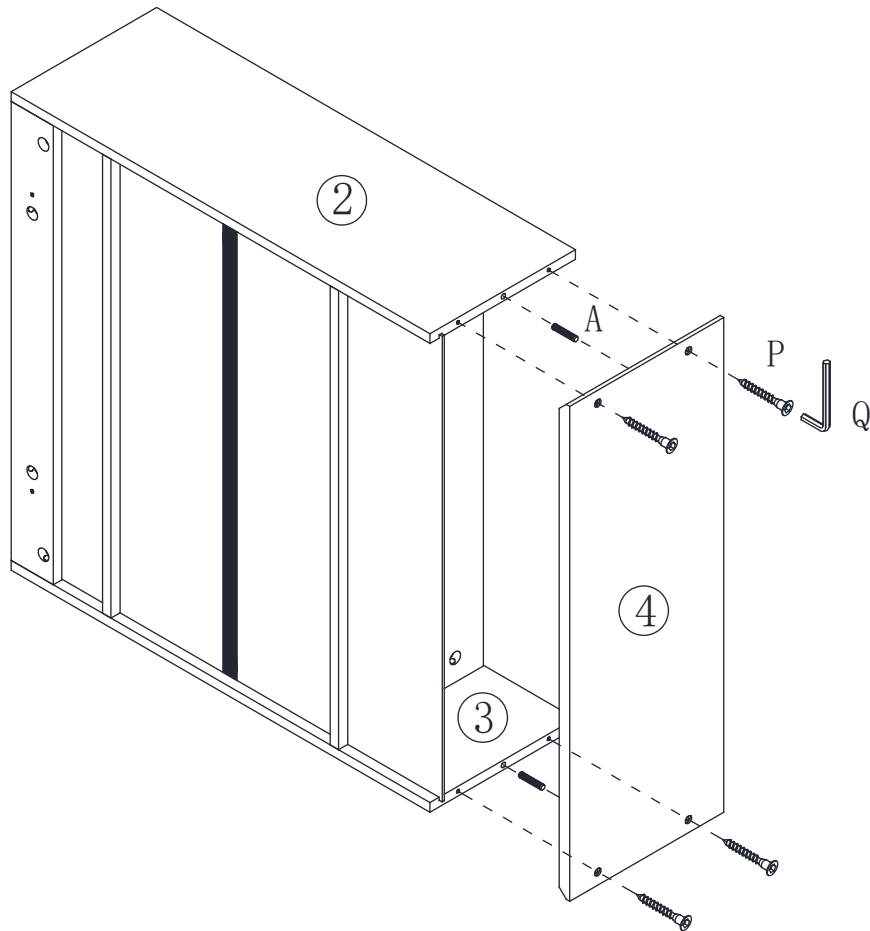





- $\varnothing 6 \times 30 \text{mm}$ (A) x 3 pcs
- $1.5 \times 9.5 \text{mm}$ (C) x 5 pcs

5

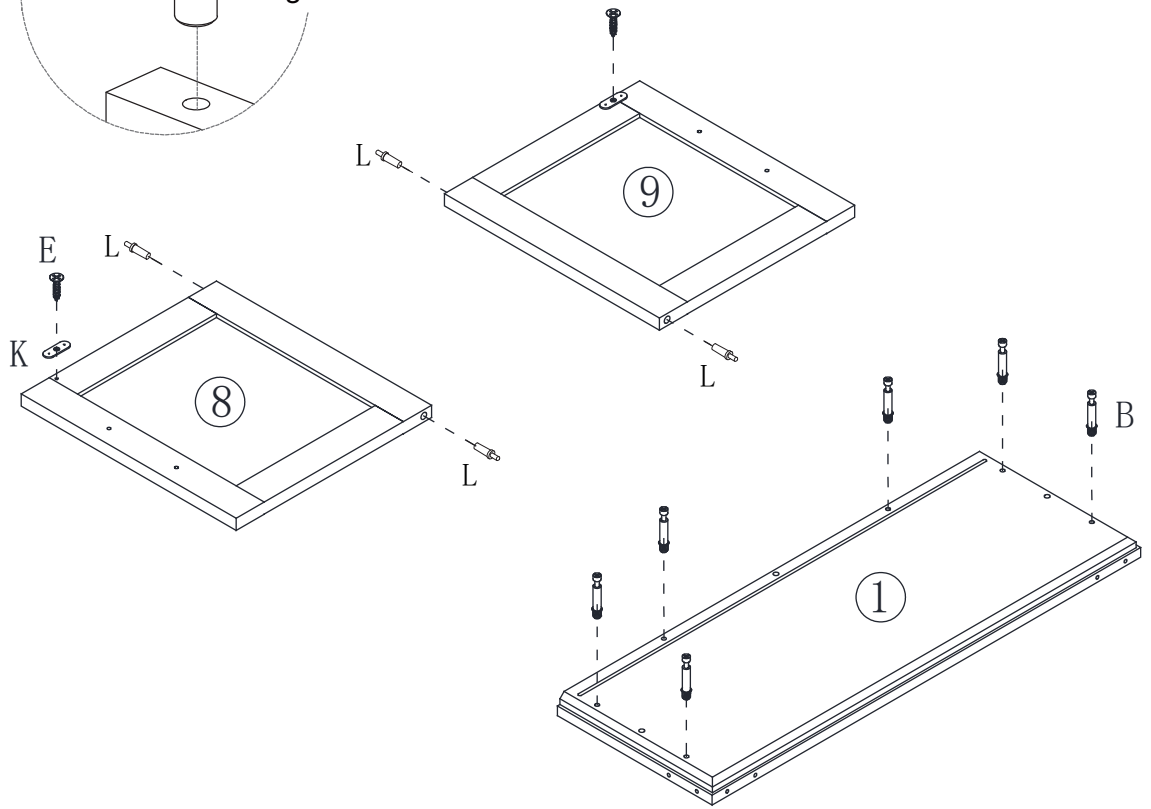
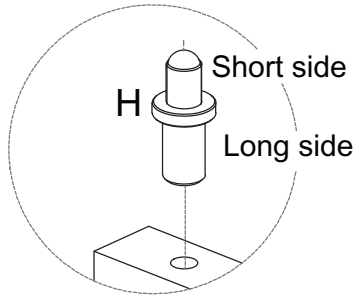


6



-  $\varnothing 6 \times 30 \text{mm}$ (A) x2 pcs
-  $5 \times 45 \text{mm}$ (P) x4 pcs
-  (Q) x1 pc

7



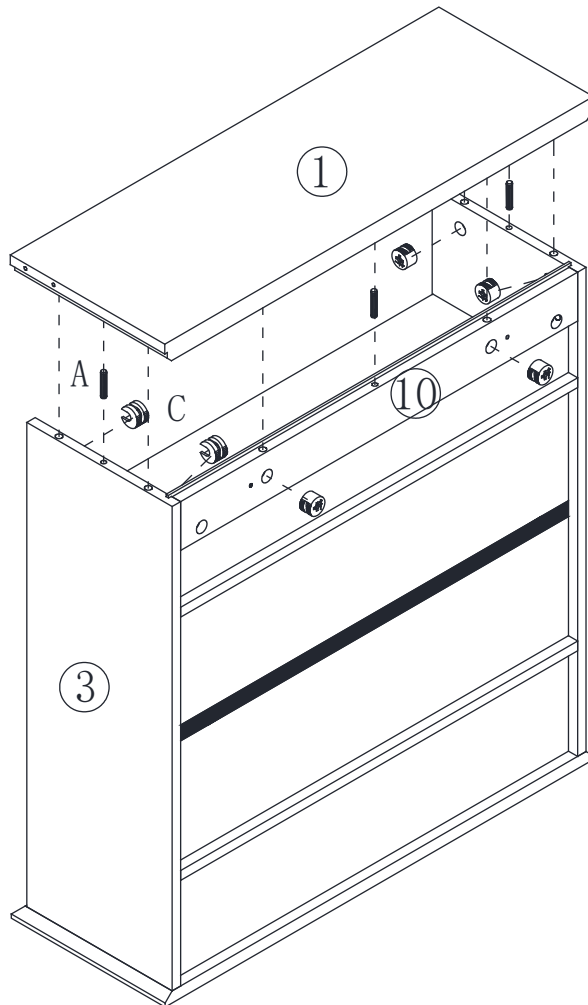
6x35mm (B)x6pcs

3x12mm (E)x2pcs

(K)x2pcs

(L)x4pcs

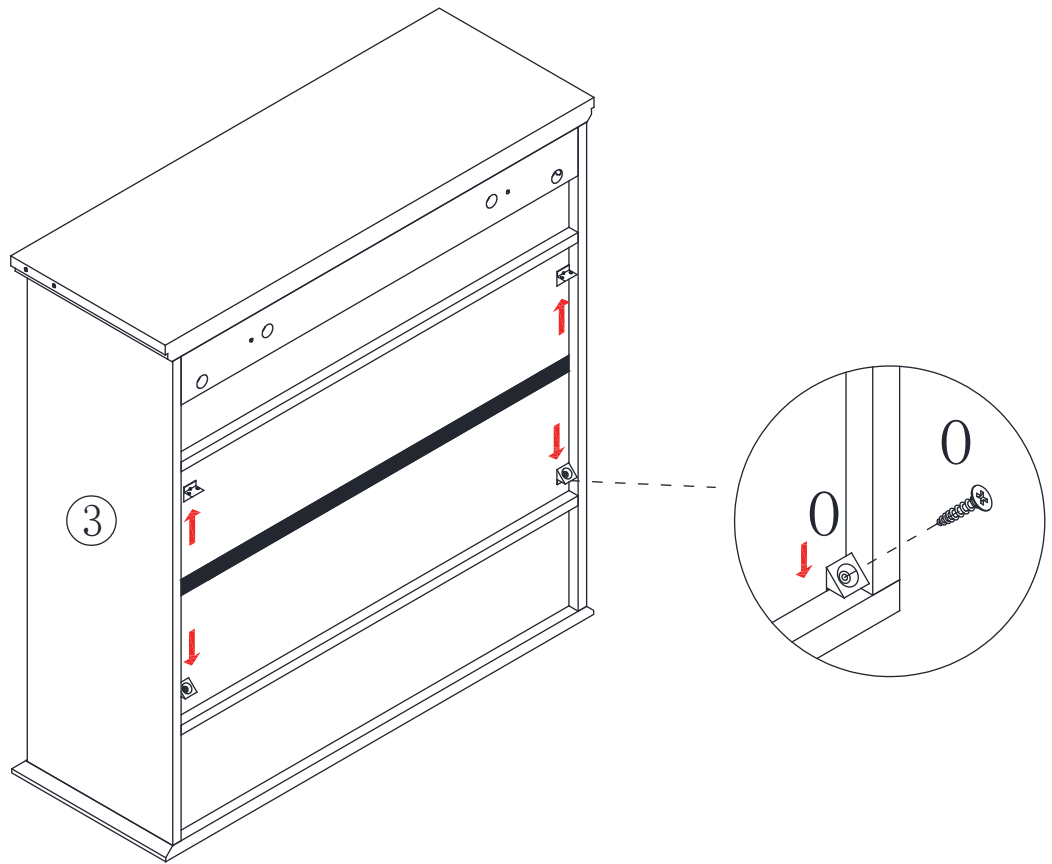
8




6x30mm (A)x3pcs

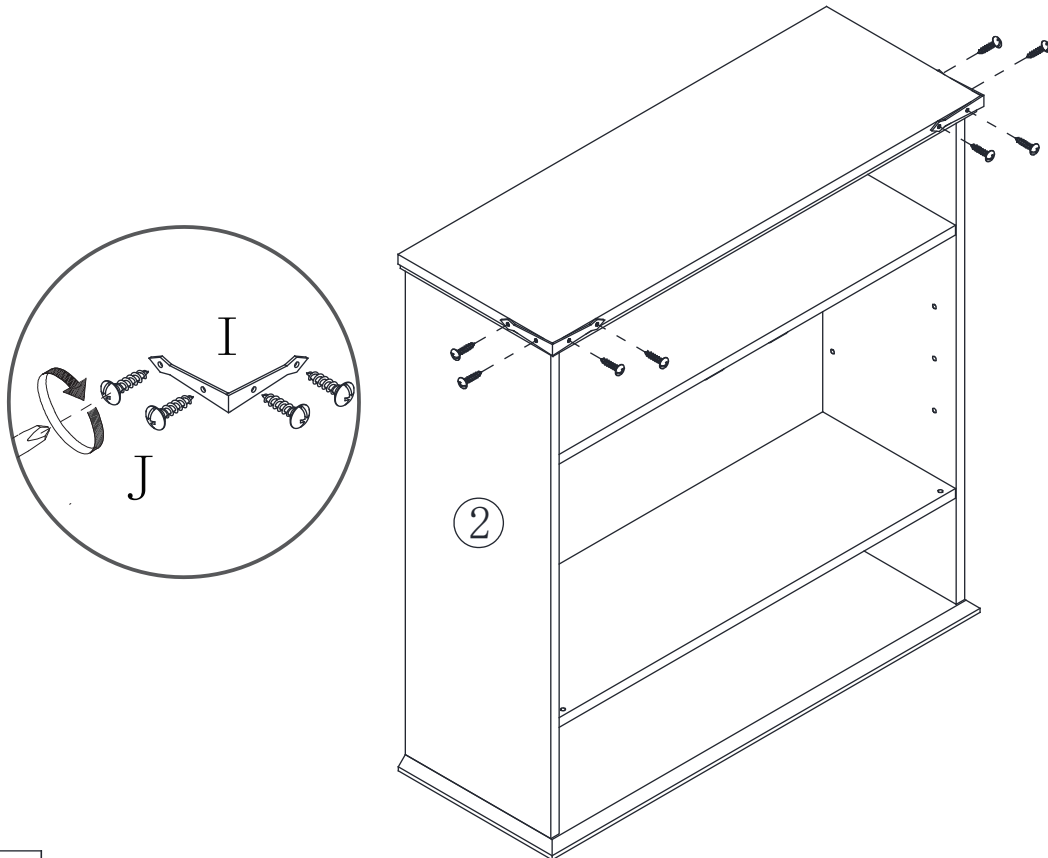
15x9.5mm (C)x6pcs

9



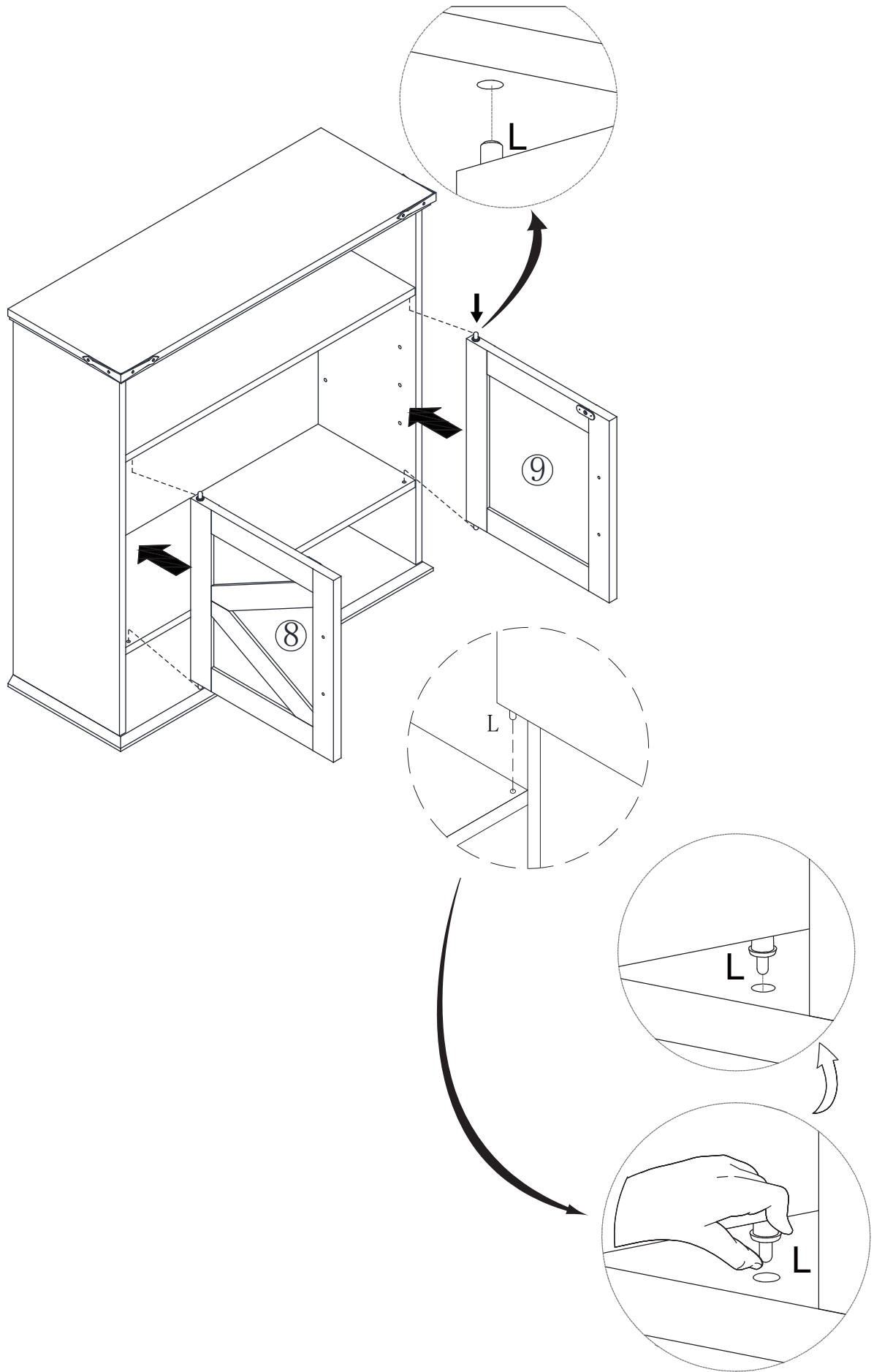
 3x14mm(O)x4sets

10

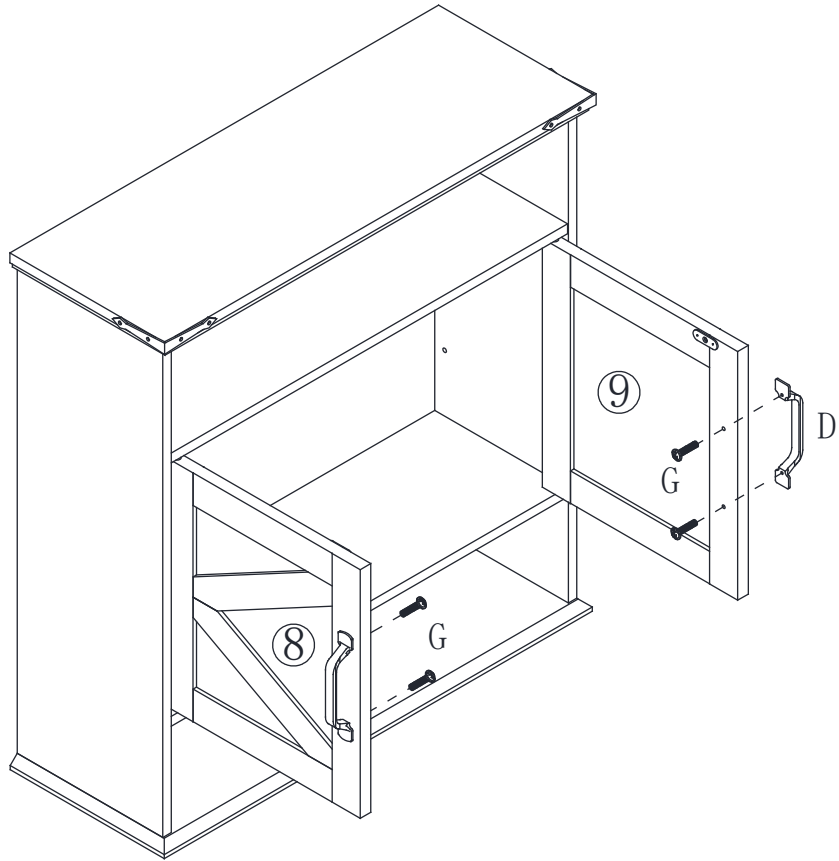


 (I)x2pcs

 4x12mm(J)x8pcs



12

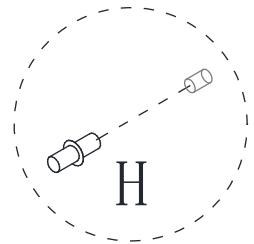
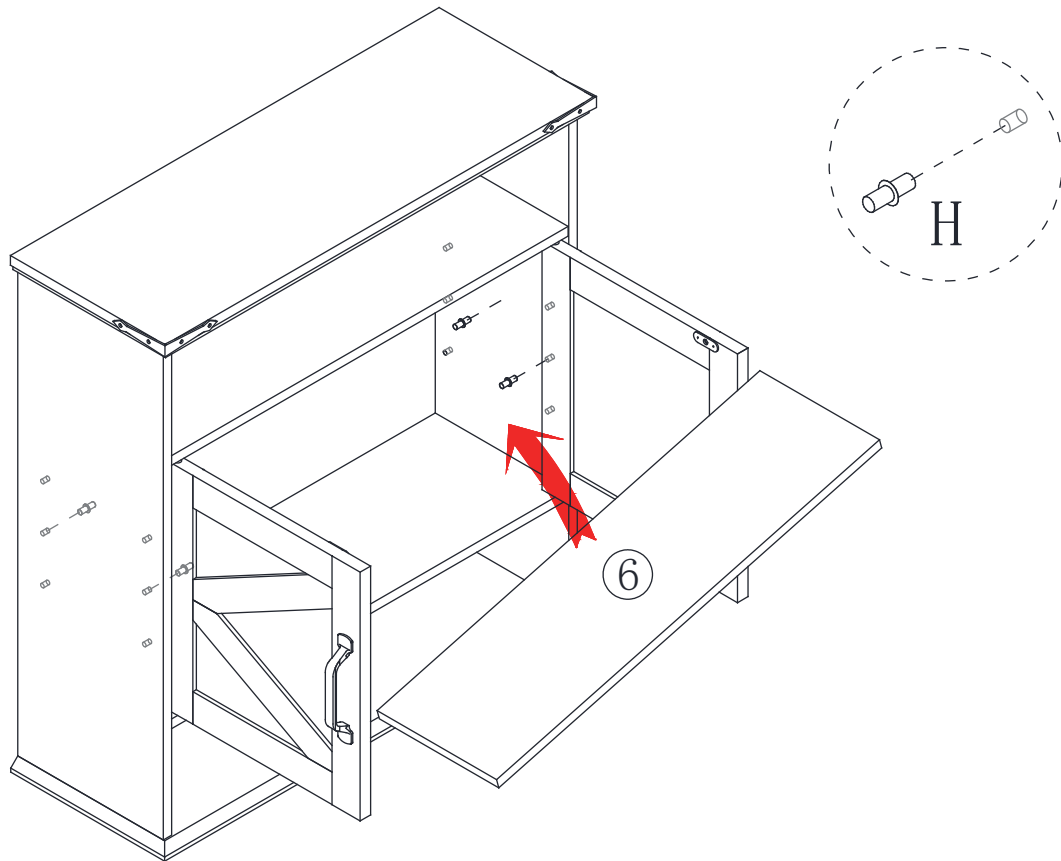


(D)x2pcs



4x18mm (G)x4pcs

13

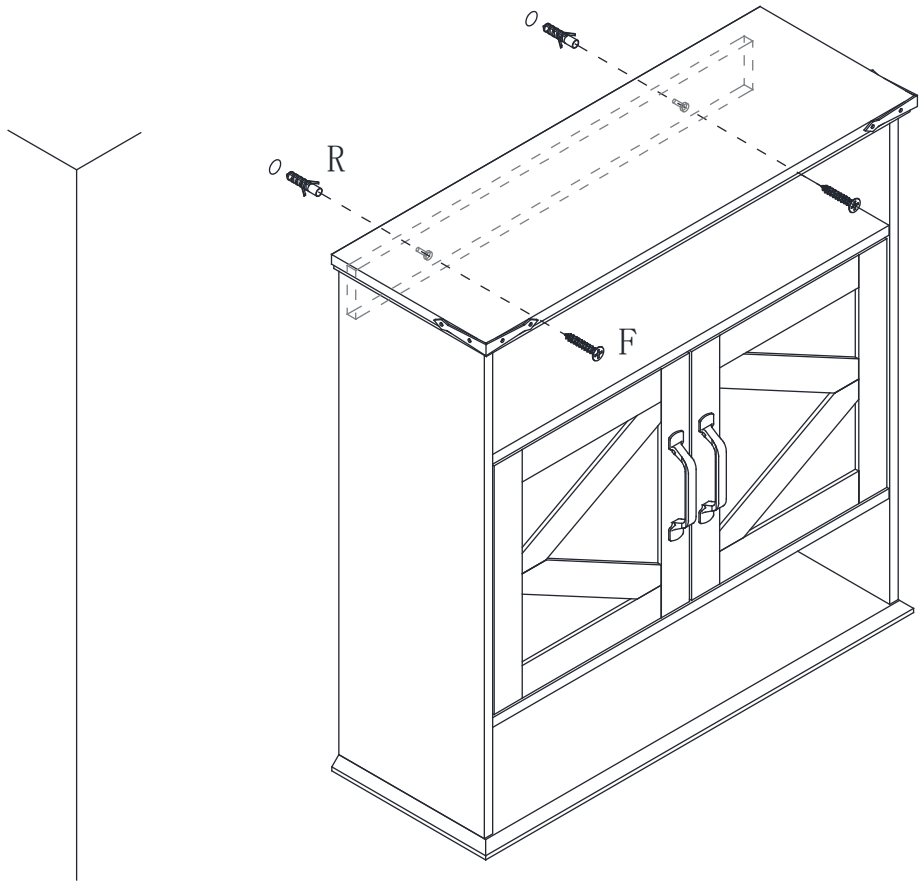


H




(H)x4pcs

14



 4x35mm (F)x2pcs

 (R)x2pcs

15

