



# Avail® | K-R33047-4D

Centerset bathroom sink faucet, 1.2 gpm

## Features

- Two Lever handles offer separate control of hot and cold water
- KOHLER® ceramic disc valves exceed industry longevity standards for a lifetime of durable performance
- 1.2 gpm (4.5 lpm) maximum flow rate
- Box includes: Assembled faucet, clicker drain
- This product can help a building earn Water Efficiency points in LEED® Green Building Rating System



## Sustainability



## Available Colors/Finishes

*Color tiles intended for reference only.*

- CP Polished Chrome
- BN Vibrant Brushed Nickel
- BL Matte Black
- 2MB Vibrant Brushed Moderne Brass



1-800-4KOHLER (1-800-456-4537)  
Kohler Co. reserves the right to make revisions without notice to product specifications.  
For the most current specification sheet, go to [www.kohler.com](http://www.kohler.com) USA or [www.kohler.ca](http://www.kohler.ca) Canada.  
3-27-2026 17:21 - US-CA

THE BOLD LOOK  
OF **KOHLER**®

## Codes/Standards

ADA, OBC, CSA B651 compliant when installed to the specific requirements of these regulations.



ADA CSA B651 OBC

ASME A112.18.1/CSA B125.1  
NSF/ANSI/CAN 372  
NSF/ANSI/CAN 61  
DOE - Energy Policy Act 1992  
EPA WaterSense®  
California Energy Commission (CEC)  
NSF/ANSI/CAN 61|NSF/ANSI/CAN 372  
ADA  
ICC/ANSI A117.1  
CSA B651  
OBC

## Technical Information

All product dimensions are nominal.

### Handle

Handle Style/ Type: Lever

### Spout

Spout Reach: 5-1/4" (133 mm)

### Flow Rate

Faucet Flow Rate: 1.2 gpm (4.5 l/min)

## Valves

Included Valve: Ceramic disc

## Material

- Premium material construction for durability and reliability
- Spot Repel® finish resists fingerprints, smudges, and water spots (Matte Black finish only)
- Select KOHLER finishes feature ScratchShield® technology which withstands even the toughest daily use

## Recommended Products/Accessories

K-23726 Drain treatment

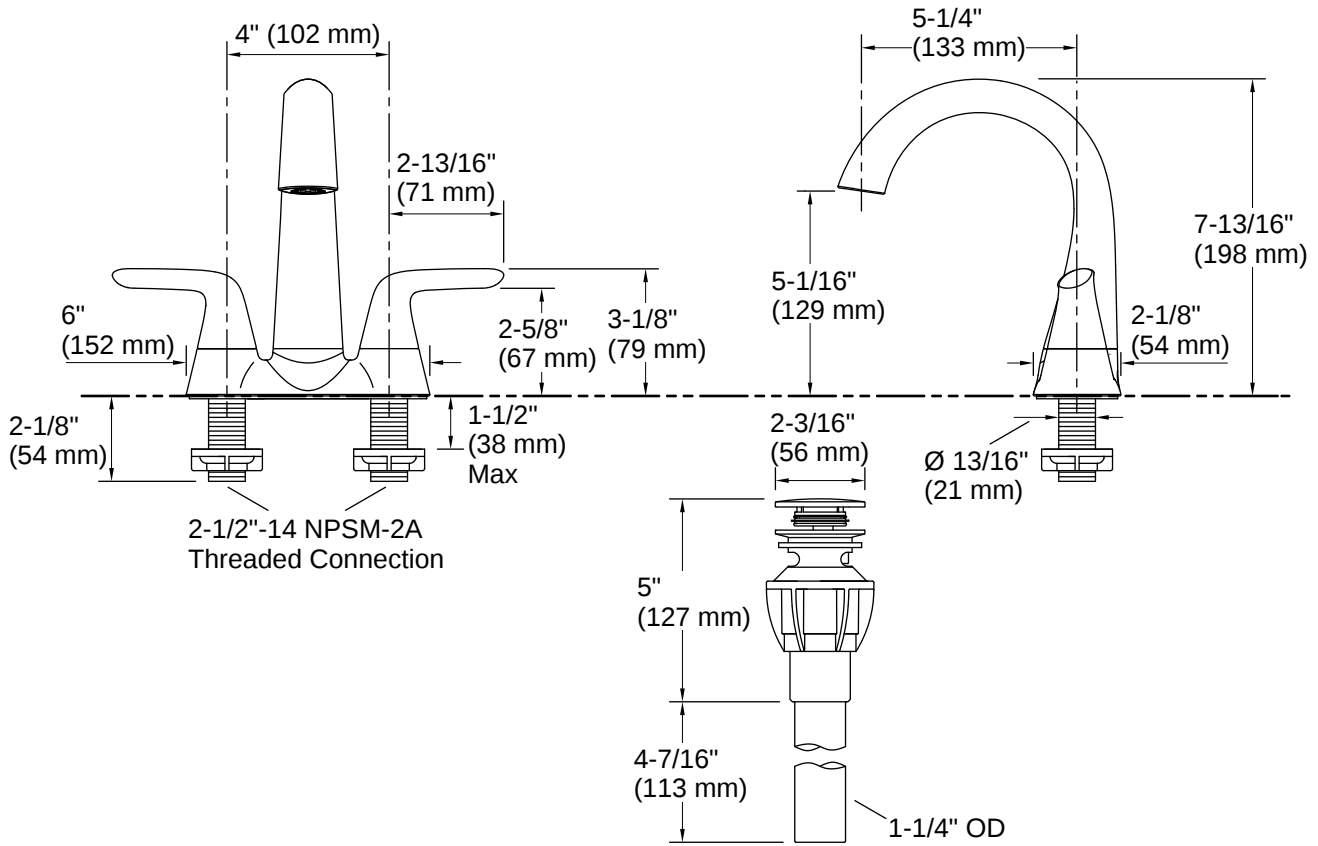
K-23723 Faucet cleaner

## Warranty

See website for detailed warranty information.

KOHLER® Faucet Lifetime Limited Warranty





## Installation

- For 4" (102 mm) centers
- Simplified faucet installation; mounting hardware requires no special tools

## Installation Notes

*Install this product according to the installation instructions.*

ADA compliant for faucet handles only.

ADA, OBC, CSA B651 compliant when installed to the specific requirements of these regulations.

