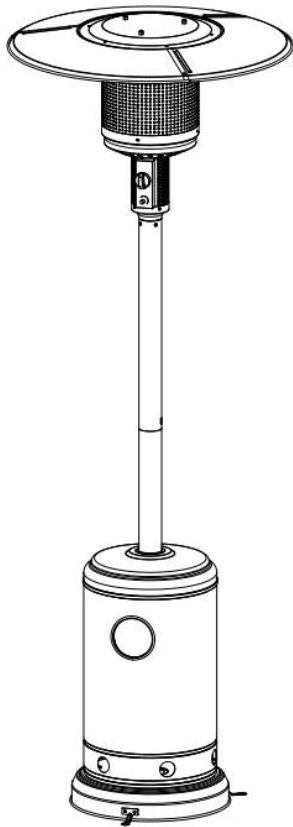




Bronze Patio Heater

Model# 52156



! DANGER

If you smell gas:

1. Shut off gas to the appliance.
2. Extinguish any open flame.
3. If odor continues, keep away from the appliance and immediately call your gas supplier or fire department.

! WARNING

Do not store or use gasoline or other flammable vapors and liquids in the vicinity of this or any other appliance. An LP-cylinder not connected for use shall not be stored in the vicinity of this or any other appliance.

! WARNING

For outdoor use only.

INSTALLER:

Leave this manual with the appliance.

CONSUMER:

Retain this manual for future reference.

! WARNING

Improper installation, adjustment, alteration, service or maintenance can cause injury or property damage. Read the owner's manual thoroughly before installing or servicing this equipment. If the information in this manual is not followed exactly, a fire or explosion may result causing property damage, personal injury or loss of life.



! DANGER



CARBON MONOXIDE HAZARD

This appliance can produce carbon monoxide which has no odor. Using it in an enclosed space can kill you. Never use this appliance in an enclosed space such as a camper, tent, car or home.

Owner's Manual

SAFETY INFORMATION

Before you assemble or operate this unit, please carefully read this entire manual. Failure to do so may result in a fire, explosion, injury or death.

WARNING

- The installation of this unit must adhere to local codes or Propane Storage and Handling Code, CSA B149.2.
- THIS UNIT IS INTENDED FOR OUTDOOR USE ONLY! This product shall be used outdoors, in a ventilated space and shall not be used in any enclosed area.
- This unit is to be used with propane gas only! (sold separately)
- Do not attach a remote gas supply to this unit.
- Only use propane gas for this unit.
- This unit is not intended for natural gas.
- Converting this unit to natural gas is dangerous and not recommended. The conversion of this unit will void the manufacturer warranty.
- Do not use any solid fuel or charcoal for this unit.
- If the propane gas tank is leaking gas, you may hear, see, or smell a hiss. Do the following:
 1. Disconnect the propane gas tank.
 2. Do not attempt to fix the problem yourself.
 3. Contact your gas supplier or fire department for help.
- Applying too much propane may result in gas pooling and will not burn. Allow fresh air into the unit so that the remaining gas may escape.
- Do not use a flame to check for gas leaks.
- The max. inlet supply pressure: max. Gas supply 11 in w.c. (2.74kPa)
- Use LP propane tanks with the following dimensions: diameter 12 in, height 18 in. - capacity 20 lbs.
- You must use a propane tank that has a collar to protect the gas valve.
- DO NOT fill tank over 80 percent full.
- The tank system must be set up for vapor withdrawal.
- Discontinue use if any part of the propane tank is damaged. Rust and dents may be hazardous and should be inspected by a gas supplier.
- Do not burn anything other than the provided materials for this patio heater.
- Do not operate unit until all parts are fully assembled.
- Do not paint or color any part of this heating unit.
- Unit may be hot while in use, do not attempt to move it while in use.
- Never leave this heating unit unattended while in use.
- This unit is not intended for cooking.
- Keep any flammable items away.
- Keep a safe distance to avoid burning skin or clothing.
- Do not sit or rest hands or feet on this heating unit.
- Never place hands or fingers on upper portion of this unit while in use.
- Keep all electrical cords and fuel supply hose away from heated surfaces.
- Combustible material should not be within 48 inches of the top of the unit, or within 48 inches around the entire unit.
- Keep the appliance area clear and free from combustible material, gasoline and other flammable vapors and liquids.
- If the flame goes out while burning, turn the gas valve off. Wait 5 minutes before repeating the initial lighting procedure. Once you have a flame started, hold down the control knob for 1 minute.
- Do not add water into the unit.
- Do not operate unit if any part has been under water. Call a service technician to replace any

damaged parts should this occur.

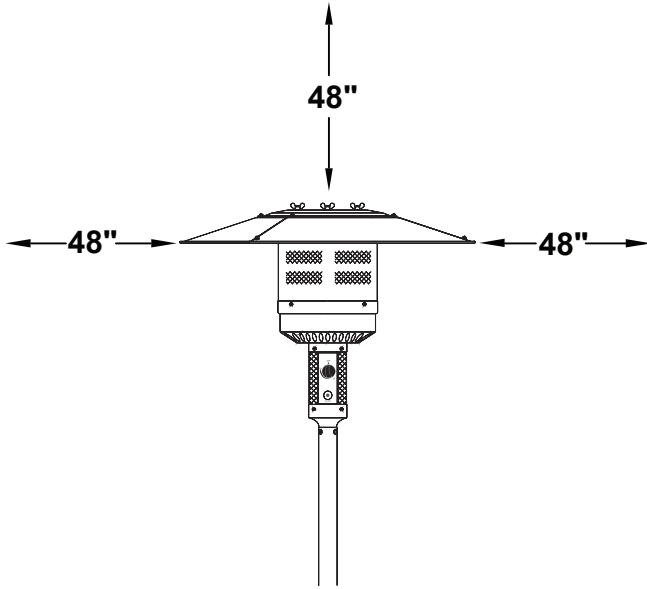
- Do not disconnect any part while unit is in use.
- Do not store a spare propane tank on or near this unit.
- If the heating unit is indoors, detach the propane tank and leave outdoors.
- Do not operate on a boat or vehicle. This unit must be used on a flat surface and outdoors ONLY.
- Always remove protective cover before operating (if applicable).
- Check for leaks after not using the unit for long periods of time.
- **Children should never operate this unit. Children must be supervised while near this unit.**
- Keep gas tank at least 5 feet away from unit when lit. (if external tank)
- The maximum gas supply pressure is 250psi.
- **All installation and repair should be done by a qualified professional. This unit should be inspected annually and cleaned regularly.**
- Inspect all elements of this heating unit before each use. If there is damage, the burner must be replaced.
- Be aware of the hazards of high temperatures and stay away from the unit to avoid any burns or injury.
- The gas supply tank should be constructed and marked with the specifications for the LP gas tanks of the U.S. Department of Transportation or the National Standard of Canada CAN/CSA-B339, LP gas tanks, spheres and tubes for Transportation of Dangerous Goods; and Commission.
- The LP gas tank must have a listed overfilling prevention device and a QCCI or Type I, (CGA791) LP gas tank connection.
- This heating appliance should not be used on plastic or artificial wood decks.
- **Children and adults should be alerted to the hazards of high surface temperatures and should stay away to avoid burns or clothing ignition.**
- **Young children should be carefully supervised when they are in the area of the appliance.**
- **Clothing or other flammable materials should not be hung from the appliance or placed on or near the appliance.**
- **Any guard or other protective device removed for servicing the appliance shall be replaced prior to operating the appliance.**
- **Installation and repair should be done by a qualified service person. The appliance should be inspected before use and at least annually by a qualified service person. More frequent cleaning may be required as necessary. It is imperative that the control compartment, burners and circulating airways of the appliance are kept clean.**
- Storage of an appliance indoors is permissible only if the cylinder is disconnected and removed from the appliance. A cylinder must be stored outdoors in a well-ventilated area out of the reach of children. A disconnected cylinder must have dust caps tightly installed and must not be stored in a building, garage or any other enclosed area.

Only use the regulator and hose assembly provided with this unit. Replacement parts must be supplied directly by Bond Manufacturing Co., Inc.

Inspect the burner before use of this unit. If the burner shows any kind of damage, do not operate the appliance. For assistance with repair or replacement of the burner or any other parts, call Bond Manufacturing Co., Inc. at 1.866.771.2663.

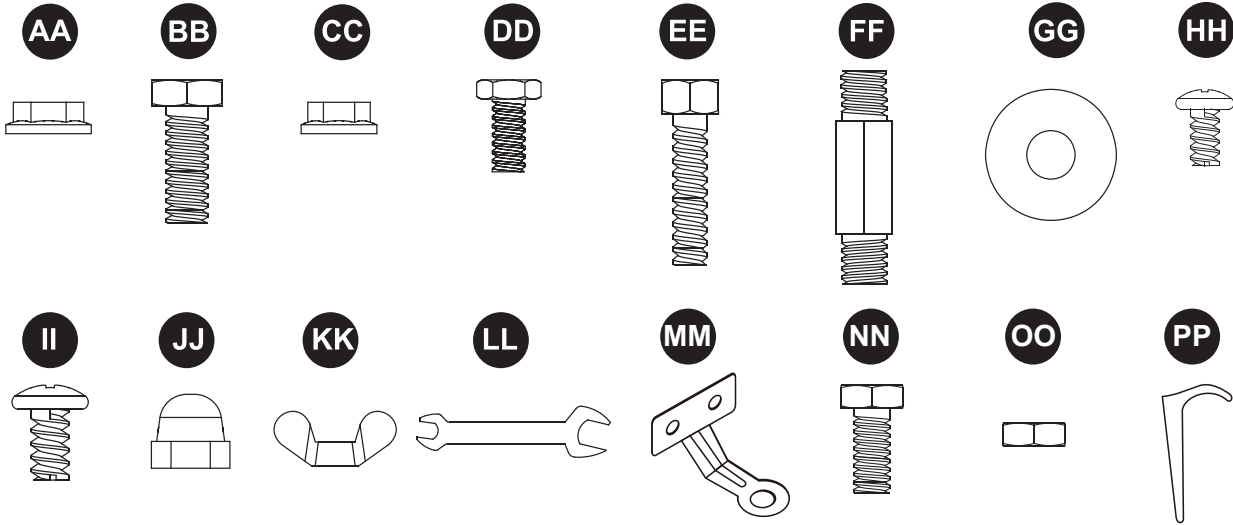
NOTE: You must follow all steps to properly assemble this heating item. Make sure the gas valve is turned “OFF” before assembling. Do NOT attempt to assemble without proper tools.

SAFETY INFORMATION



BE CAREFUL: WHEN CERTAIN MATERIALS OR ITEMS ARE STORED ABOVE, BESIDE OR UNDER THIS HEATER WHILE IN USE, THEY WILL BE SUBJECT TO RADIANT HEAT AND COULD BE SERIOUSLY DAMAGED.

Combustible materials should not be within 48 inches of the top of the unit, or within 48 inches around the entire unit.

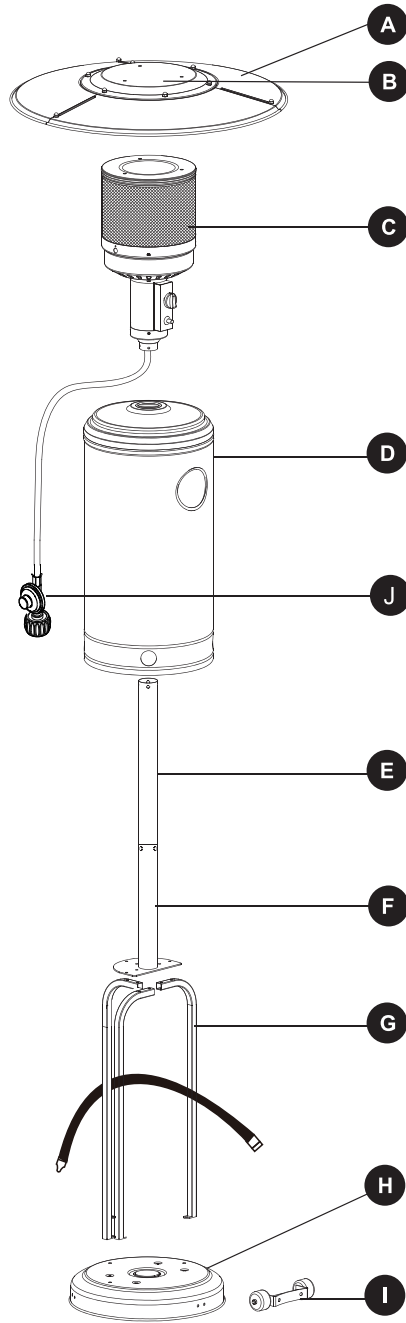


Item	Description	Qty
AA	M8 Flange Nut (packed with part I)	2
BB	Bolt M8x16 (2 pcs packed with part I)	5
CC	M6 Flange Nut	6
DD	Bolt M6x10 (pre-assembled on part C)	4
EE	Bolt M6x30	6
FF	Reflector Spacer	3
GG	Washer	9
HH	Post Bolt (pre-assembled on part F)	2
II	Screw M6x10	9
JJ	Cap Nut	9
KK	Wing Nut	3
LL	Wrench	1
MM	Anchoring Arm	3
NN	Bolt M6x10	6
OO	M6 Nut	6
PP	Anchor	3

Before beginning assembly of product, make sure all parts are present. Compare parts with package contents list and hardware contents list. If any parts are missing or damaged, do not attempt to assemble the product.

Estimated Assembly Time: 30 minutes

Tools required for assembly (not included): Phillips Screwdriver




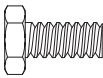
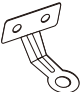
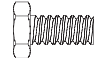

Item	Description	Qty
A	Reflector Panel	3
B	Center Reflector	1
C	Burner Assembly	1
D	Tank Housing	1
E	Upper Post	1
F	Lower Post	1
G	Support Bracket	3
H	Base	1
I	Wheel Assembly	1
J	Regulator	1

ASSEMBLY INSTRUCTIONS

Step 1

Turn the base upside down, then attach wheel assembly (I) to base (H) using 2pcs M8 flange nuts (AA) and 2pcs bolts M8x16 (BB). Attach 3pcs anchoring arm (MM) to base (H) using 6pcs M6 nuts (OO) and 6pcs bolt M6x10 (NN). Be sure that the wheel assembly is parallel to the base. Tighten bolts securely.

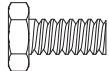
Hardware Used

AA	M8 Flange nut		x 2
BB	Bolt M8x16		x 2
MM	Anchoring Arm		x 3
NN	Bolt M6x10		x 6
OO	M6 Nut		x 6

Step 2

Attach 3 pcs support brackets (G) to base (H) using 3 pcs bolts M8x16 (BB).
Note: Keep the support bracket with belt in the middle.



Hardware Used

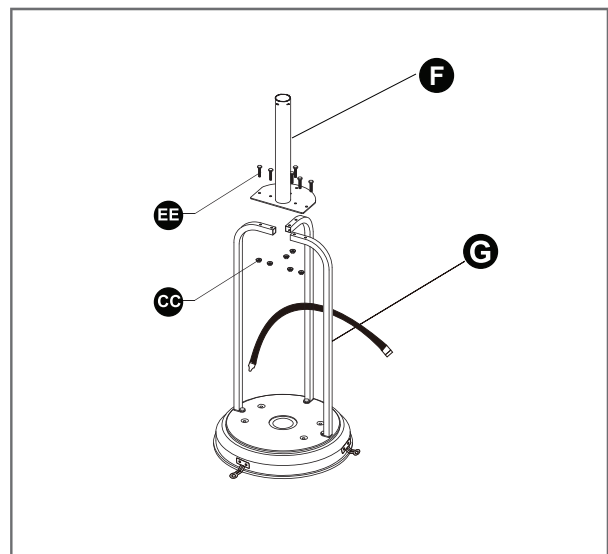
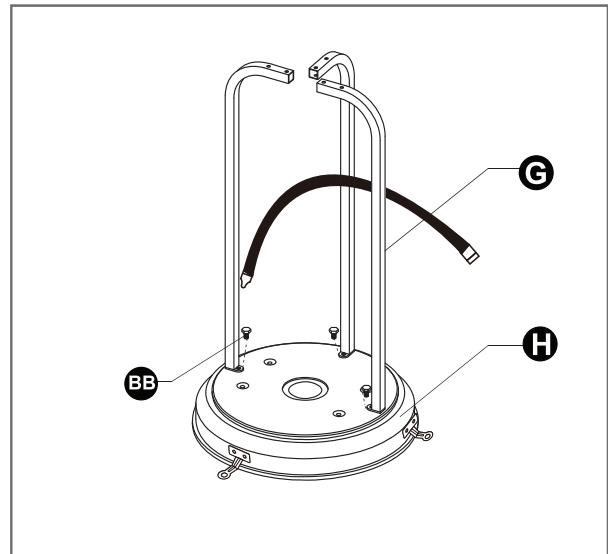
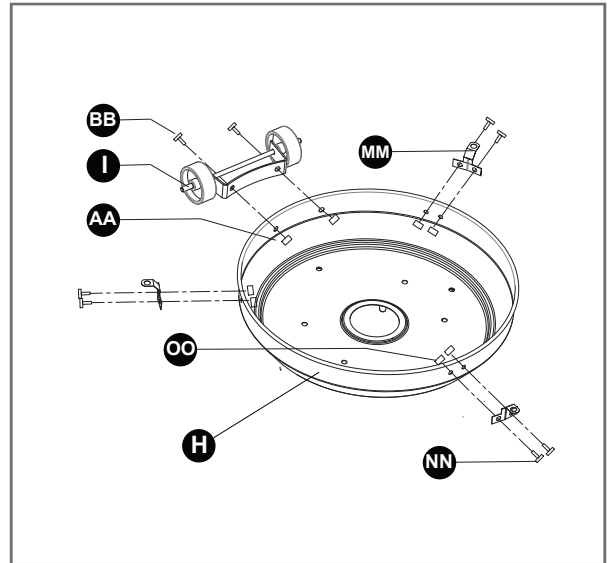
BB	Bolt M8x16		x 3
-----------	------------	---	-----

Step 3

Attach lower post (F) to support brackets (G) using 6pcs bolts M6x30 (EE) and 6pcs M6 flange nuts (CC). Tighten bolts securely.

Hardware Used

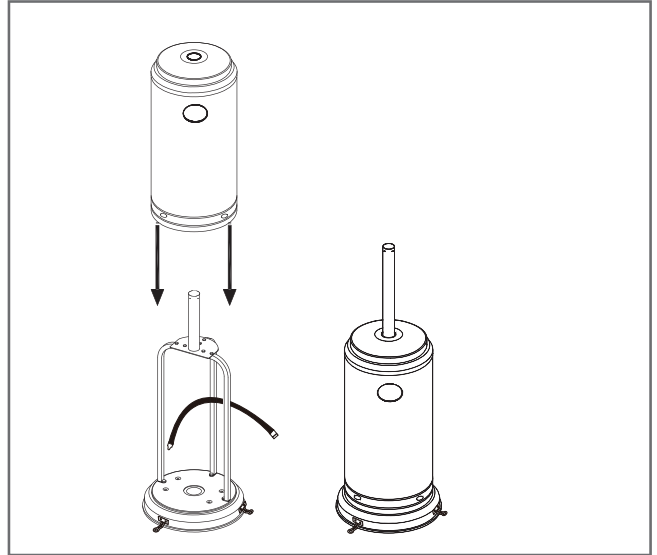
CC	M6 Flange nut		x 6
EE	Bolt M6x30		x 6



ASSEMBLY INSTRUCTIONS

Step 4

Load tank housing onto post, slide tank housing down.



Step 5

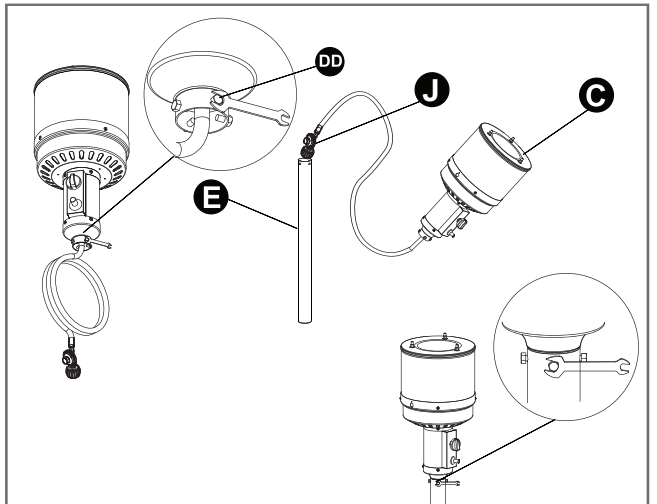
Remove the 4 pcs preassembled bolts M6x10 (DD) from the burner assembly (C).

Insert the regulator (J) from the top end of the upper post (E), then attach the burner assembly (C) to upper post (E) using the four bolts removed at the beginning of this step.

Tighten bolts securely.

Hardware Used

DD Bolt M6x10  x 4



Step 6

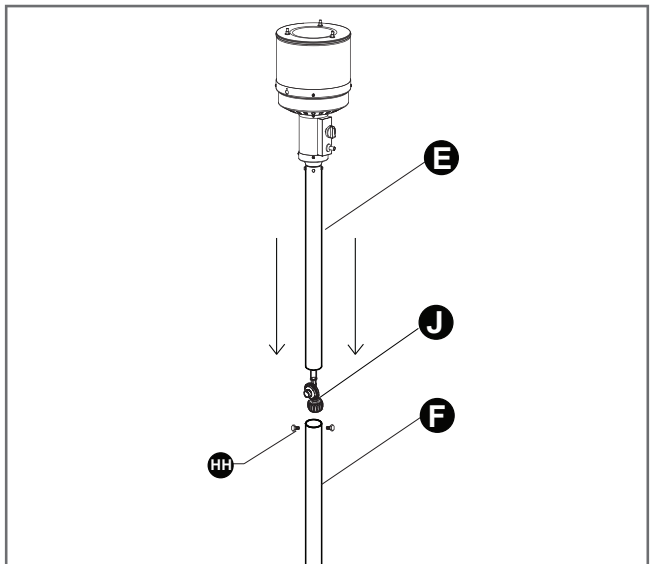
Remove the 2 preassembled bolts (HH) from the lower post (F).

Insert the regulator (J) from the top end of the lower post (F).

Insert upper post (E) to lower post (F), then tighten two posts using the 2 bolts (HH) removed at the beginning of this step.

Hardware Used

HH Post bolt  x 2



ASSEMBLY INSTRUCTIONS

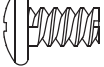
Step 7

WARNING: Remove protective cover before assembling.
Note: If necessary for proper alignment of reflector sections.

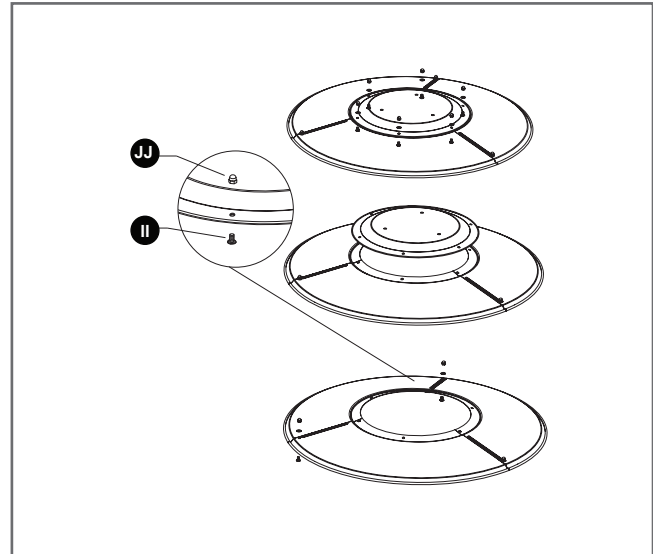
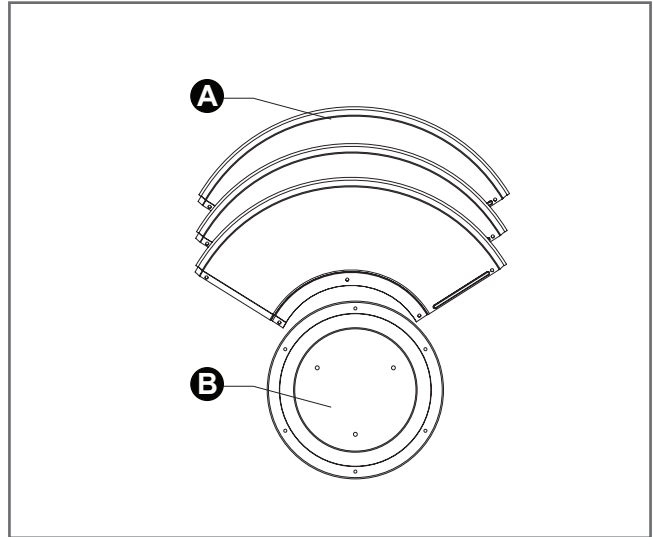
Attach 3 pcs reflector panels (A) to center reflector (B) using 9 pcs Screws M6x10 (II) and 9 pcs cap nuts (JJ).

Fully tighten all of the screws.

Hardware Used

II Screw M6 X 10  x 9

JJ Cap nut  x 9



Step 8


Attach 3 pcs reflector spacers (FF) and 3 pcs washers (GG) to burner assembly (C) firstly. Tighten the reflector spacers. Slide 3pcs washers (GG) over threaded end of spacer.

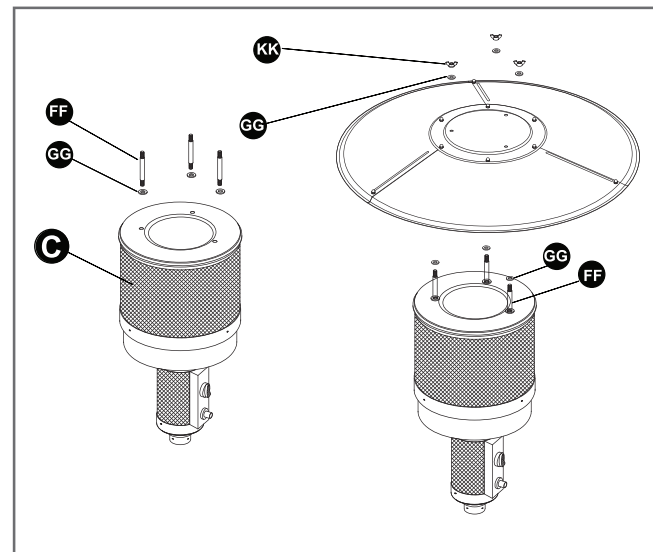
Attach the reflector assembly to the top of reflector spacer (FF) using 3 pcs washers (GG) and 3 pcs wing nuts (KK).

Hardware Used

FF Reflector spacer  x 3

GG Washer  x 9

KK Wing nut  x 3

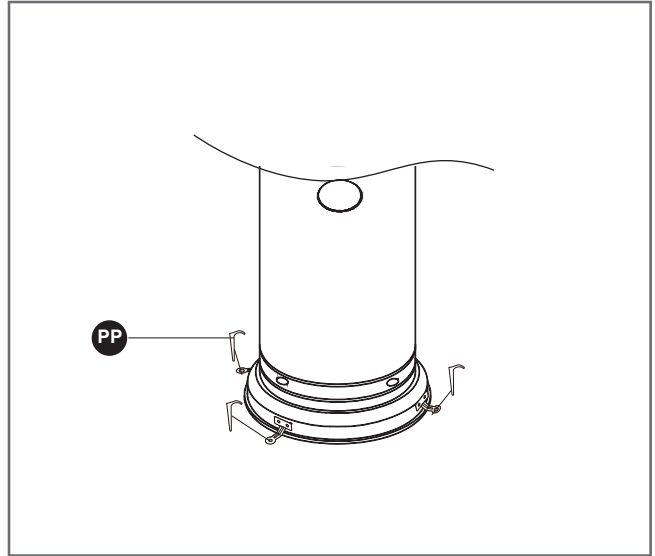
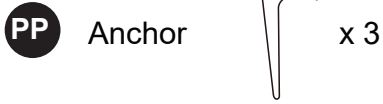


ASSEMBLY INSTRUCTIONS

Step 9

Optional: Use the anchor (PP) to fasten the product into the ground.

Hardware Used



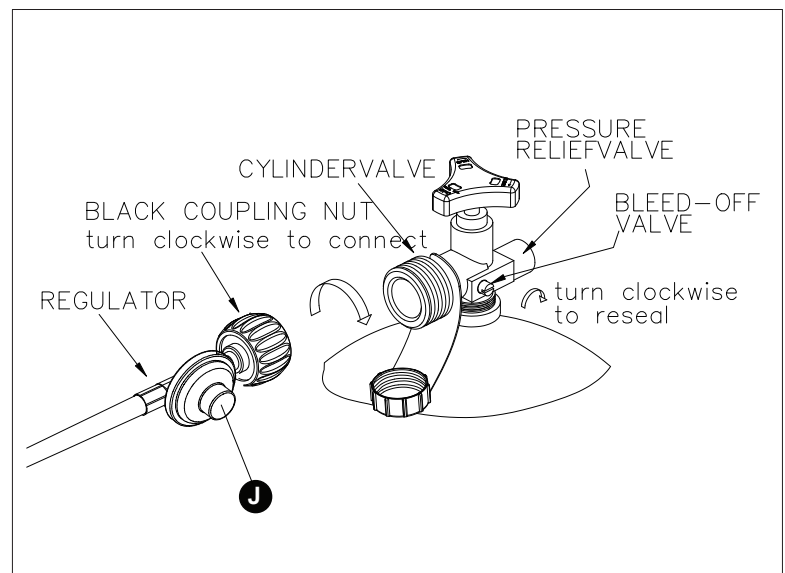
Step 10

Place the propane gas tank (not included) on the base. Tighten the belt to ensure the propane gas tank is fully secure.



Step 11

Turn the cylinder valve on the tank clockwise to close the propane tank. Attach the regulator (J) to the cylinder valve by turning the regulator coupling nut clockwise. Make sure it is fastened securely and tighten connections by hand only.



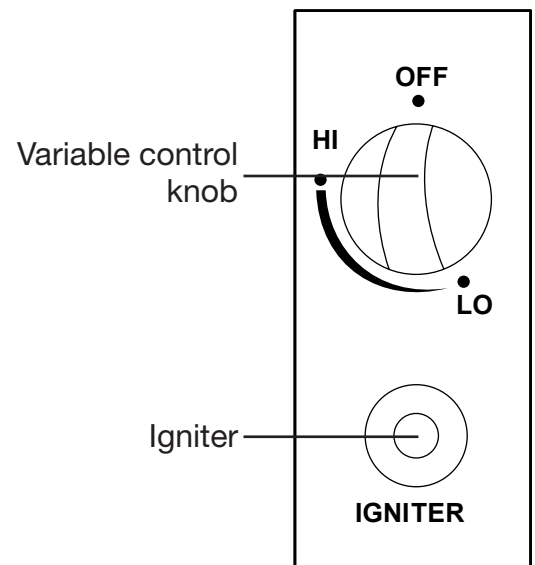
OPERATION

Before performing a leak test, be sure that no sparks can occur and you are in a spacious outdoor area. Connect the propane gas tank to the regulator and turn the valve on the unit to the “off” position. Brush a soap and water mixture on all connections. Turn the gas supply on; if bubbles occur on any connection there may be a leak. **If you smell gas or a leak is discovered turn the gas valve off, disconnect propane gas tank and do not use the appliance until the leak is repaired.**

Do not use the heating unit without inspecting the gas hose. If there are signs of wear or abrasion you must replace the hose (if applicable).

To Light

1. Turn on the valve on the gas supply cylinder.
2. Press and turn the variable control knob to the ‘HI’ position and hold for 3-5 seconds.
3. While holding down the variable control knob, press the igniter button several times until the burner head flame ignites. Release the variable control knob 30 seconds after the ignition.
4. If a new tank has just been connected, allow at least one minute or more for the air in the gas pipeline to purge out.
5. The flame can be watched and checked from the viewing hole located on the base of the burner.
6. Turn the variable control knob to the ‘LO’ position for 5 minutes or more before turning the knob to desired temperature setting. If a small flame is needed, turn the variable control knob to the ‘LO’ position.
7. If the burner flame goes out accidentally or it is blown out by wind, turn off the heater and wait at least 5 minutes or more to let the gas dissipate before lighting again to avoid possible gas explosion. Repeat steps 2 through 3.



When lit for the first time the heater may emit a slight odor and smoke. This is a normal and temporary condition. Emitter screen will become a bright red due to the heat. The color is more visible at night. Flame patterns should be a blue flame; these flames should not be yellow in color; indicating an obstruction of airflow through the burners.

To Extinguish

1. Turn control knob clockwise to the “off” position.
2. Close the cylinder valve on the propane gas tank if you don’t intend to use it for a long time.

MAINTENANCE

- Before performing any maintenance always disconnect propane gas tank.
- Keep the heating item free and clear from combustible materials.
- Visually inspect burner for obstructions and keep tank enclosure free and clear from debris.
- Use a soft brush to get rid of the mild stains, loose dirt and soil after the burner is completely cooled down. Wipe down with a soft cloth.
- Harsh weather conditions may cause stubborn stains, discoloration and possibly rust pitting.
- Permanent damage may occur if powder or solvent comes in contact with painted or plastic components on this heating unit.
- Keep the heating unit stored away from direct sunlight.
- If storing this unit inside, disconnect the propane gas tank from the gas valve.
- Not using manufacturer approved or supplied parts/accessories may result in a defective condition and void the warranty of this heating unit.
- Always place lid (if applicable) or protective cover on heating item when not in use.

TROUBLESHOOTING

Problem	Cause	Solution
The burner will not light.	The burner injector is clogged.	Clean the burner injector.
	There is low gas supply pressure.	Call your gas supplier.
The burner flame goes off immediately after ignition.	There is low gas pressure.	Call your gas supplier.
The ignition is delayed.	The main burner carryover ports are clogged.	Clean the main burner ports.
	There is low gas pressure.	Call your gas supplier.
The combustion on the burner is inadequate.	There is not enough air.	Check the air passageways and burners for dirt and debris, and clean with compressed air.
The burner flame is low.	The supply hose is bent or twisted.	Straighten the hose and perform a leak test.
	There is blockage in the burner injector.	Clean or replace the burner injector.
The emitter glows uneven.	There is blockage in the burner injector.	Clean or replace the burner injector.
	The base is not on a level surface.	Place the heater on a level surface.
	The gas pressure is low.	Replace the cylinder with a new cylinder.
There is slight smoke and odor during initial operation.	This is residue from the manufacturing process.	This will stop after approximately 30 minutes of operation.
There is thick black smoke.	There is blockage in the burner.	Turn off the heater and let it cool. Remove the blockage and clean the inside and outside of the burner.
The heater produces a whistling noise when the burner is lit.	Air passageways are blocked.	Check the minimum installation clearances and air passageways for debris.
	There is air in the gas line.	Operate the burner until the air is completely purged.
The heater produces a clicking noise just after the burner is lit or turned off.	The metal is expanding and contracting.	This is common with heaters. If noise is excessive, contact a qualified service person.
There is a gas odor even when the control knob is in the OFF position.	There is a gas leak.	Locate and correct the leak immediately.
	The gas control is defective.	Replace the gas control.
There is a gas odor during combustion.	There is foreign matter in the gas or on the burner ports.	Check the gas passageway and burner.
	The heater is burning vapors from paint or impurities in the air.	Stop storing and using odor causing products near the heater.
	There is gas leaking from the regulator and hose connection, the valve and pipe connections, and the pipes.	Locate and correct the leaks, or contact your gas supplier.
There is carbon build-up.	There is dirt or film on the reflector and flame screen.	Clean the reflector and flame screen.

WARRANTY

The manufacturer warranty will be voided by, and manufacturer disclaims any responsibility for, the following actions:

- Modification of the unit and/or components including the gas valve assembly.
- Use of any component part not manufactured or approved by Bond Manufacturing Co., Inc.
- Use and installation other than what is listed in this manual.

Please contact the manufacturer for replacement parts.

CONTACT

If you have any questions or concerns, please contact Bond Manufacturing Company Co., Inc. at the below resources:

Toll Free Phone	1-866-771-BOND (2663) Monday - Friday, 8am - 4:30pm PST
Email	customer.service@bondmfg.com
Online	www.bondmfg.com

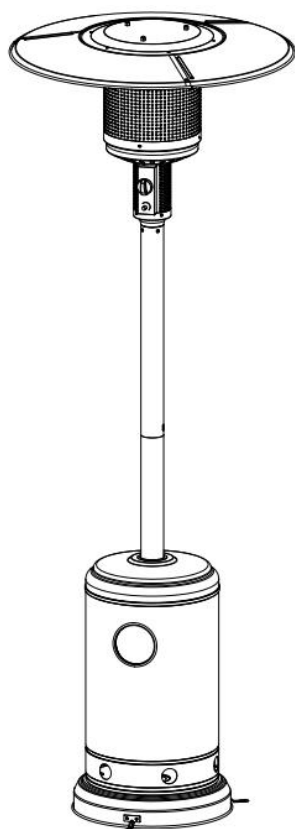
Bond Manufacturing Co., Inc.
2516 Verne Roberts Cir., STE H3, Antioch, CA 94509, USA





Appareil de chauffage de terrasse en bronze

No de modèle 52156



DANGER

Si vous détectez une odeur de gaz :

1. Coupez l'alimentation en gaz de l'appareil.
2. Éteignez toute flamme nue.
3. Si l'odeur persiste, tenez-vous à distance de l'appareil et appelez immédiatement le fournisseur de gaz ou le service d'incendie.

AVERTISSEMENT

N'entreposez pas et n'utilisez pas d'essence ni d'autres vapeurs ou liquides inflammables à proximité de cet appareil ou de tout autre appareil. Ne rangez pas de bouteille de propane liquide non raccordée à proximité de cet appareil ni de tout autre appareil.

AVERTISSEMENT

Pour un usage extérieur seulement.

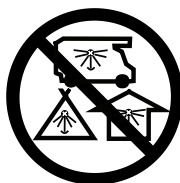
INSTALLATEUR : Laissez ce guide avec l'appareil.
CONSOMMATEUR : Gardez ce guide pour une utilisation ultérieure.

AVERTISSEMENT

Les installations, réglages, modifications, entretiens ou réparations incorrects présentent des risques de dommages corporels ou matériels. Lisez soigneusement le guide d'utilisation avant d'installer ou d'entretenir ce matériel. Si les directives dans ce manuel ne sont pas suivies avec exactitude, un incendie ou une explosion pourrait se produire, causant des dommages matériels, des blessures corporelles ou une perte de vie.



DANGER



RISQUE LIÉ AU MONOXYDE DE CARBONE
Cet appareil peut générer du monoxyde de carbone, un gaz inodore.

L'utilisation de cet appareil dans un endroit fermé pourrait causer la mort.

N'utilisez jamais cet appareil dans un endroit fermé comme une caravane, une tente, une automobile ou une maison.

RENSEIGNEMENTS SUR LA SÉCURITÉ

Avant d'assembler ou d'utiliser cette unité, veuillez lire avec soin tout ce guide. L'omission de ce processus peut entraîner un incendie, une explosion, une blessure corporelle ou la mort.

AVERTISSEMENT

- L'installation de cette unité doit être conforme aux codes locaux ou Code de manutention et d'entreposage du gaz, CSA B149.2.
- CETTE UNITÉ EST CONÇUE UNIQUEMENT POUR UN USAGE EN PLEIN AIR! Ce produit doit s'utiliser en plein air, dans un espace aéré, et ne doit pas être utilisé dans un espace fermé.
- On doit utiliser cette unité uniquement avec le gaz propane! (vendu séparément)
- N'attachez pas une source externe d'alimentation en gaz à cette unité.
- Utilisez uniquement le gaz propane avec cette unité.
- Cette unité n'est pas conçue pour le gaz naturel.
- La conversion de cette unité au gaz naturel est dangereuse et déconseillée. La conversion de cette unité annulera la garantie du fabricant.
- N'utilisez pas un combustible solide ou le charbon de bois dans cette unité.
- Si une fuite dans la bouteille de gaz propane est présente, vous pourriez entendre, voir ou sentir un sifflement. Procédez comme suit : 1. Détachez la bouteille de gaz propane. 2. N'essayez pas de régler le problème vous-même. 3. Communiquez avec votre fournisseur de gaz ou le service d'incendie pour obtenir de l'aide.
- L'application de trop de propane peut entraîner une accumulation de gaz qui ne brûlera pas. Permettez l'entrée d'air frais dans l'unité pour que le gaz qui reste puisse s'échapper.
- N'utilisez pas une flamme pour vérifier s'il y a des fuites de gaz.
- Pression d'entrée de l'alimentation maximale : alimentation max. en gaz 279 mm (11 po) colonne d'eau (2,74kPa)
- Employez des bouteilles de GPL avec les dimensions suivantes : diamètre de 30,5 cm (12 po), hauteur de 45,7 cm (18 po) - capacité £ 20.
- Il faut utiliser une bouteille de propane munie d'une bague de protection du robinet de gaz.
- NE remplissez PAS la bouteille à un niveau supérieur à 80 %.
- Le système d'alimentation de la bouteille doit assurer le retrait de vapeur.
- Cessez l'utilisation si une partie de la bouteille de propane est endommagée. La rouille et les bosses peuvent être dangereuses et doivent être inspectées par un fournisseur de gaz.
- Ne brûlez rien d'autre que les matériaux fournis pour ce foyer de jardin.
- N'utilisez pas l'unité jusqu'à ce que toutes les pièces soient complètement assemblées.
- Ne peignez ni teintez aucune partie de cet appareil de chauffage.
- L'unité peut être chaude pendant l'utilisation; n'essayez pas de la déplacer quand elle fonctionne.
- Ne laissez jamais cette unité de chauffage sans surveillance pendant l'usage.
- Cette unité n'est pas conçue pour la cuisson des aliments.
- Gardez tout article inflammable à l'écart.
- Tenez-vous à une distance sécuritaire pour éviter la brûlure de la peau ou des vêtements.
- N'asseyez-vous ni reposez les mains ou les pieds sur cet appareil de chauffage.
- Ne mettez jamais les mains ou les doigts sur la partie supérieure de cette unité pendant son usage.
- Gardez tout cordon électrique et le tuyau d'alimentation en gaz loin des surfaces chauffées.
- On ne doit pas tenir des matériaux combustibles dans une distance de moins de 121,92 cm (48 po) du haut de l'unité, ou dans une distance de moins de 121,92 cm (48 po) autour de l'unité en entier.
- Gardez l'appareil propre et libre de matériaux combustibles, essence et autres vapeurs et liquides inflammables.

RENSEIGNEMENTS SUR LA SÉCURITÉ

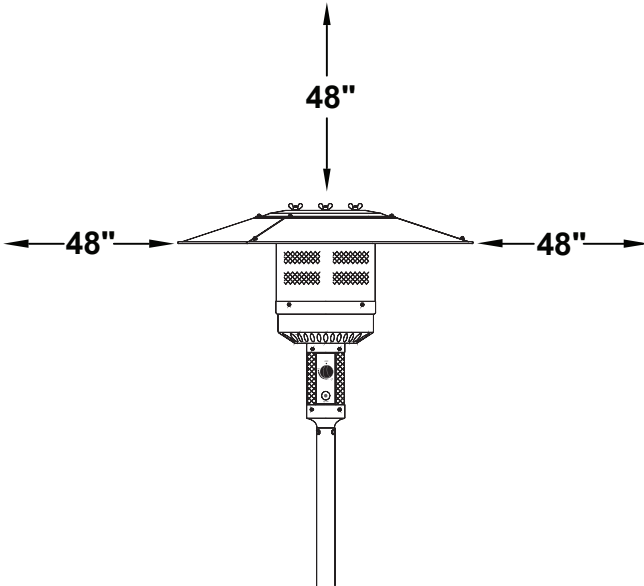
- Si la flamme s'éteint lors du brûlage, fermez le robinet de gaz. Attendez 5 minutes avant de répéter la procédure initiale d'allumage. Quand une flamme se produit, maintenez enfoncé le bouton de commande pendant une minute.
- N'ajoutez pas d'eau dans l'unité.
- N'utilisez pas l'unité si une partie a été submergée dans l'eau. Appelez immédiatement un technicien de service qualifié pour inspecter l'appareil et remplacer toute partie du système de contrôle ou toute commande de gaz ayant été immergée.
- Ne détachez aucune pièce pendant l'usage de l'unité.
- N'entreposez pas une bouteille de propane de rechange sur ou à proximité de cette unité.
- Si l'appareil de chauffage est à l'intérieur, détachez la bouteille de propane et laissez-la à l'extérieur.
- N'utilisez pas cette unité dans un bateau ou véhicule. Il faut opérer cette unité **UNIQUEMENT** sur une surface plane à l'extérieur.
- Retirez toujours la housse protectrice avant l'utilisation (le cas échéant).
- Vérifiez s'il y a une fuite après des périodes prolongées de non utilisation.
- **Ne permettez jamais aux enfants d'utiliser cette unité. Il faut surveiller les enfants quand ils sont à proximité de cette unité.**
- Gardez la bonbonne de gaz à une distance d'au moins 1,5 m (5 pi) de l'unité quand elle est allumée. (pour une bonbonne externe)
- La pression d'alimentation en gaz maximale est de 250 psi.
- **Toute installation et toute réparation doivent se faire par un technicien d'entretien qualifié. Cette unité doit être inspectée annuellement et nettoyée de façon régulière.**
- Inspectez tous les éléments de cet appareil de chauffage avant chaque usage. S'il y a des dommages, il faut remplacer le brûleur.
- Soyez conscient des dangers des températures élevées et tenez-vous loin de l'unité pour éviter des brûlures ou blessures.
- Il faut que la bouteille de propane soit conçue et étiquetée conformément aux spécifications pour les bouteilles de GPL du U.S. Department of Transportation (DOT) ou de la Norme nationale du Canada, CAN/CSA-B 339, Bouteilles à gaz cylindriques et sphériques pour le transport des marchandises dangereuses; et commission.
- La bouteille de GPL doit être munie d'un dispositif homologué de protection contre le remplissage excessif et d'un raccord de bouteille de GPL QCCI ou de Type 1 (CGA791).
- On ne doit pas utiliser cet appareil de chauffage sur des bureaux en plastique ou en bois artificiel.
- **Il faut que les enfants et les adultes soient avertis des dangers des surfaces chaudes et qu'ils se tiennent à une distance**
- **sécuritaire afin d'éviter les brûlures ou l'inflammation des vêtements.**
- **Il faut surveiller les jeunes enfants de près quand ils sont à proximité de l'appareil.**
- **On ne doit pas suspendre des vêtements ou tout autre matériel inflammable, ni les placer sur ou près de l'appareil.**
- **Il faut remplacer tout revêtement de protection ou autre dispositif de sécurité enlevé pour l'entretien de l'appareil avant de faire fonctionner l'appareil.**
- **L'installation et la réparation doivent se faire par un technicien d'entretien qualifié. L'appareil doit être inspecté par un technicien d'entretien qualifié avant l'usage et au moins une fois par an. Un nettoyage plus fréquent peut être nécessaire au besoin. Il faut garder propres le compartiment de commande, les brûleurs et les voies de circulation d'air.**
- Le stockage d'un appareil à l'intérieur n'est autorisé que si la bouteille est déconnectée et retirée de l'appareil. Une bouteille doit être stockée à l'extérieur dans un endroit bien ventilé hors de la portée des enfants. Une bouteille déconnectée doit avoir des capuchons anti-poussière bien installés et ne doit pas être entreposée dans un bâtiment, un garage ou tout autre espace clos.

RENSEIGNEMENTS SUR LA SÉCURITÉ

Utilisez uniquement le régulateur et l'ensemble raccord-tuyau fournis avec cette unité. Les pièces de rechange doivent être fournies directement par Bond Manufacturing Co., Inc.

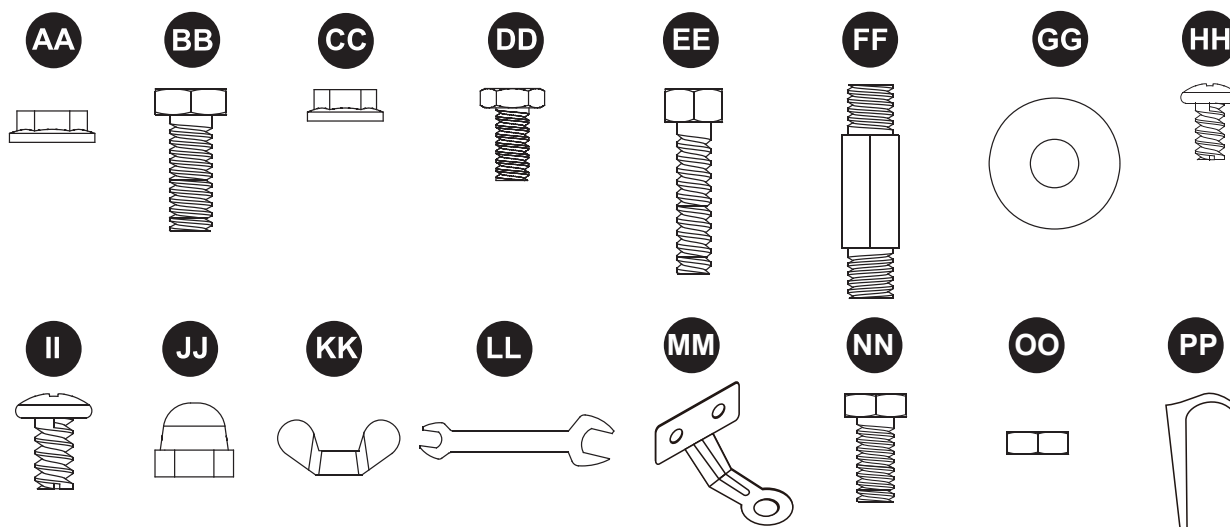
Inspectez le brûleur avant l'utilisation de cette unité. Si le brûleur indique des signes de dommage quelconque, n'utilisez pas l'appareil. Pour obtenir de l'aide avec la réparation ou le remplacement du brûleur ou de toute autre pièce, appelez Bond Manufacturing Co., Inc. au 1.866.771.2663.

REMARQUE : Il vous faut suivre toutes les étapes pour assembler correctement cet appareil de chauffage. Assurez-vous que le robinet de gaz est à la position 'OFF' (arrêt) avant l'assemblage. N'essayez PAS de l'assembler sans les bons outils.



FAITES ATTENTION: LORSQUE CERTAINS MATÉRIAUX OU ARTICLES SONT ENTREPOSÉS, AU-DESSUS, À CÔTÉ OU EN-DESSOUS CE RADIATEUR LORSQU'IL EST UTILISÉ PUISQU'ILS SERONT EXPOSÉS À LA CHALEUR RADIANTE ET PEUVENT ÊTRE SÉRIEUSEMENT ENDOMMAGÉS.

Les matériaux combustibles ne doivent pas être dans les 48 pouces du haut de l'appareil, ou dans les 48 pouces autour de l'ensemble de l'unité.

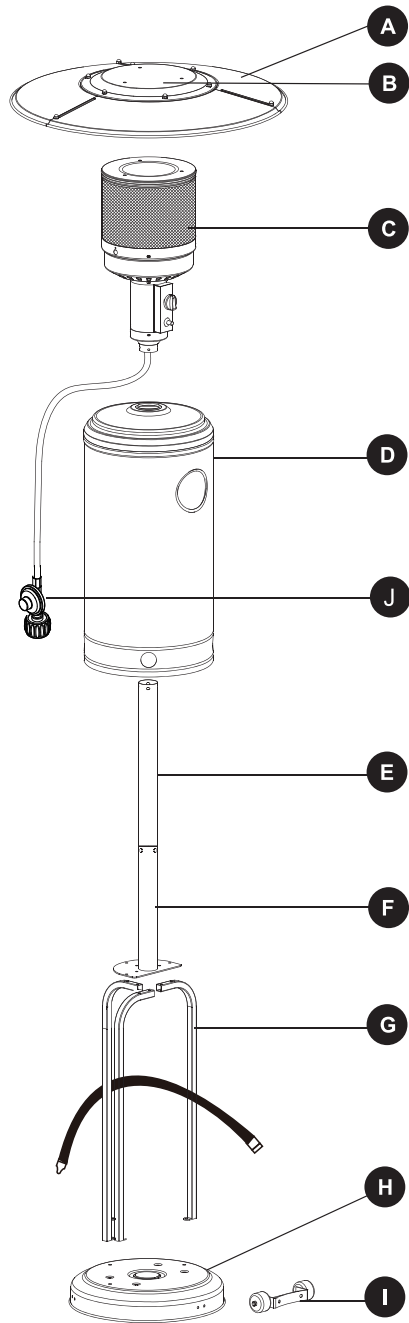


Article	Description	Qté
AA	Écrou de bride M8 (emballé avec la partie I)	2
BB	Boulon M8x16 (2 pièces emballé avec la partie I)	5
CC	Écrou de bride M6	6
DD	Boulon M6x10 (préassemblé sur la partie C)	4
EE	Boulon M6x30	6
FF	Bague d'espacement du réflecteur	3
GG	Rondelle	9
HH	Après boulon (préassemblé sur la partie F)	2
II	Vis M6x10	9
JJ	Écrou borgne	9
KK	Écrou à oreilles	3
LL	Clé	1
MM	Bras d'ancrage	3
NN	Boulon M6x10	6
OO	Écrou M6	6
PP	Ancre	3

Avant de commencer l'assemblage de l'article, assurez-vous d'avoir toutes les pièces. Comparez le contenu de l'emballage avec la liste des pièces et celle de la quincaillerie incluse. Si des pièces sont manquantes ou endommagées, ne tentez pas d'assembler le produit.

Temps d'assemblage approximatif : 30 minutes

Outils nécessaires pour l'assemblage (non inclus): tournevis cruciforme.



Article	Description	Qté
A	Panneau réflecteur	3
B	Réflecteur central	1
C	Assemblage du brûleur	1
D	Logement de bouteille	1
E	Montant supérieur	1
F	Montant inférieur	1
G	Support	3
H	Base	1
I	Assemblage de roue	1
J	Régulateur	1

INSTRUCTIONS D'ASSEMBLAGE


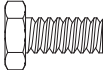
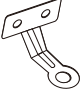
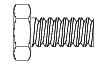

Étape 1

Retournez la base, puis fixez l'ensemble de roue (I) à la base (H) à l'aide de 2 écrous de bride M8 (AA) et de 2 boulons M8x16 (BB).

Fixez 3 bras d'ancrage (MM) à la base (H) à l'aide de 6 écrous M6 (OO) et de 6 boulons M6x10 (NN).

Assurez-vous que l'ensemble de roue est parallèle à la base. Serrez fermement les boulons.

Matériau utilisé

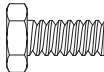
- | | | |
|-----------------------------|---|-----|
| AA Écrou de bride M8 |  | x 2 |
| BB Boulon M8x16 |  | x 2 |
| MM Bras d'ancrage |  | x 3 |
| NN Boulon M6x10 |  | x 6 |
| OO Écrou M6 |  | x 6 |

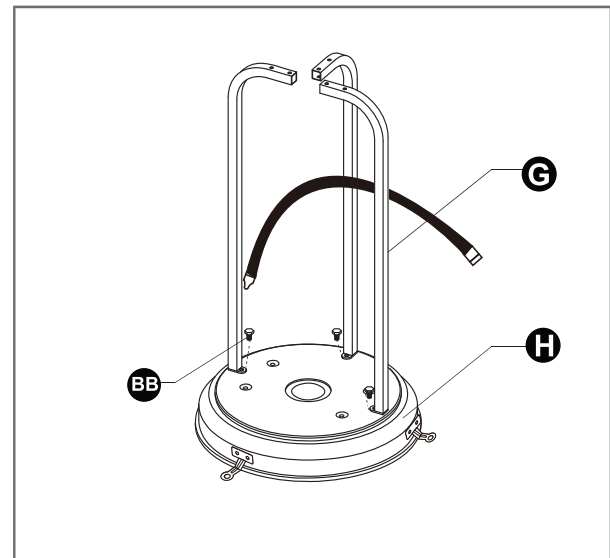
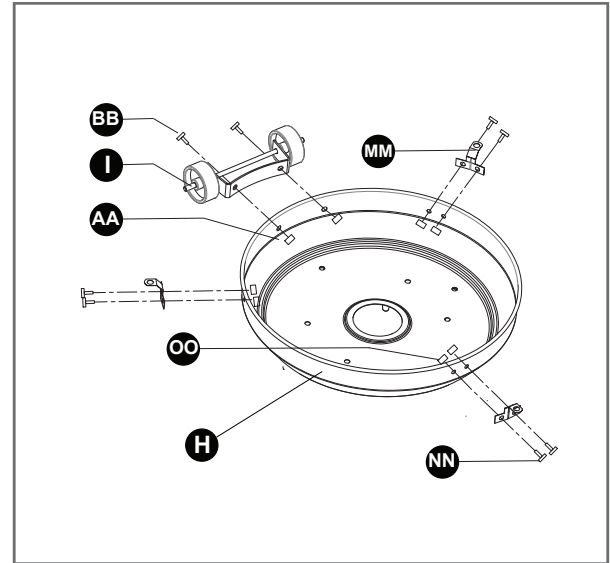
Étape 2

Fixez 3 supports (G) à la base (H) à l'aide de 3 boulons M8x16 (BB).

Remarque : Fixez le support avec la sangle au milieu.

Matériau utilisé



- | | | |
|------------------------|---|-----|
| BB Boulon M8x16 |  | x 3 |
|------------------------|---|-----|

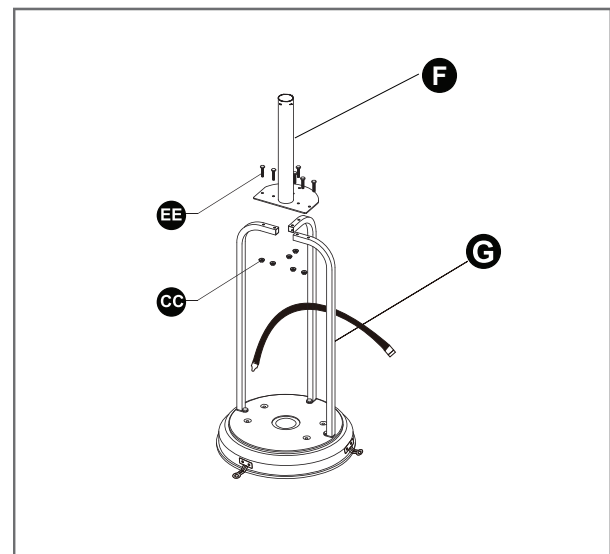


Étape 3

Fixez le montant inférieur (F) aux supports (G) à l'aide de 6 boulons M6 x30 (EE) et de 6 écrous de bride M6 (CC). Serrez fermement les boulons.

Matériau utilisé

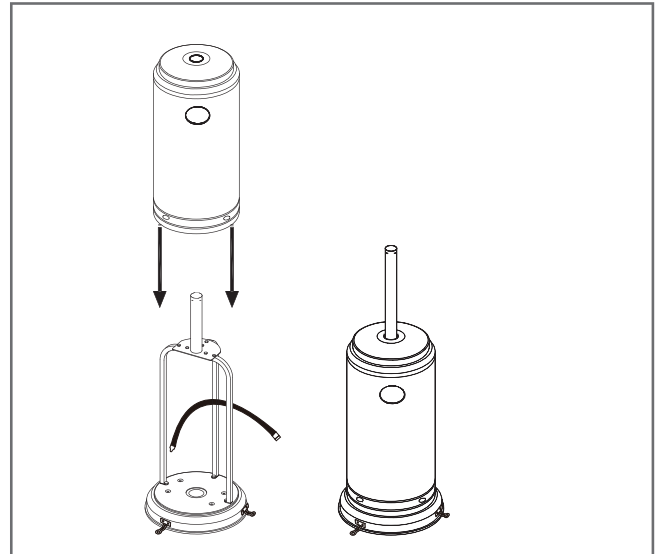
- | | | |
|-----------------------------|---|-----|
| CC Écrou de bride M6 |  | x 6 |
| EE Boulon M6x30 |  | x 6 |



INSTRUCTIONS D'ASSEMBLAGE

Étape 4

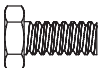
Posez le logement de bouteille sur le montant et faites-le glisser vers le bas.

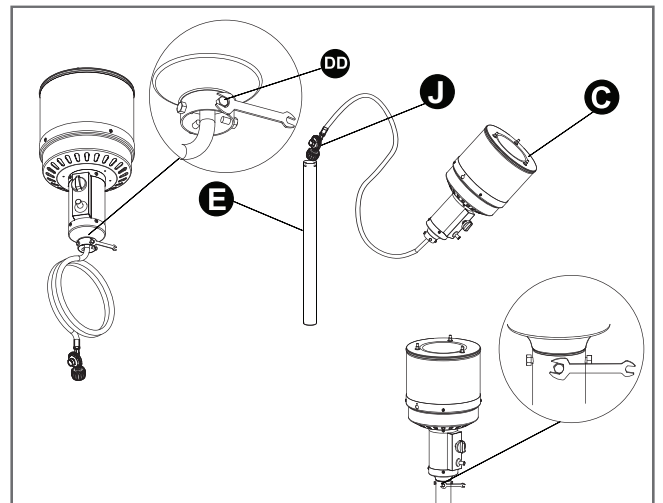


Étape 5

Retirez les 4 boulons M6x10 préassemblés (DD) du brûleur (C).
Insérez le détendeur (J) depuis le haut du montant supérieur (E), puis fixez le brûleur (C) au montant supérieur (E) à l'aide des quatre boulons retirés au début de cette étape. Serrez fermement les boulons.

Matériau utilisé

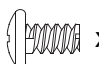
DD Boulon M6x10  x 4

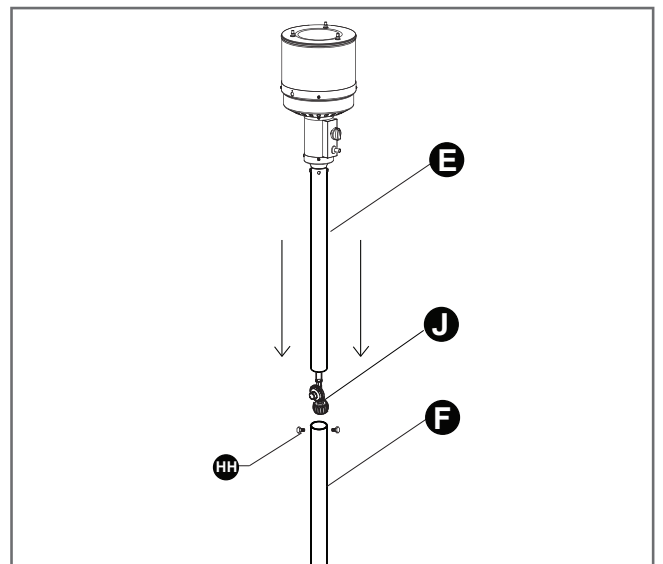


Étape 6

Retirez les 2 boulons préassemblés (HH) du montant inférieur (F). Insérez le détendeur (J) depuis l'extrémité supérieure du montant inférieur (F).
Insérez le montant supérieur (E) dans le montant inférieur (F). Serrez ensuite les deux montants à l'aide des 2 boulons (HH) retirés au début de cette étape.

Matériau utilisé

HH Après boulon  x 2



INSTRUCTIONS D'ASSEMBLAGE

Étape 7

AVERTISSEMENT : Retirez le couvercle de protection avant l'assemblage.

Remarque : Si nécessaire pour un alignement approprié des sections du réflecteur.


Fixez 3 panneaux réflecteurs (A) au réflecteur central (B)

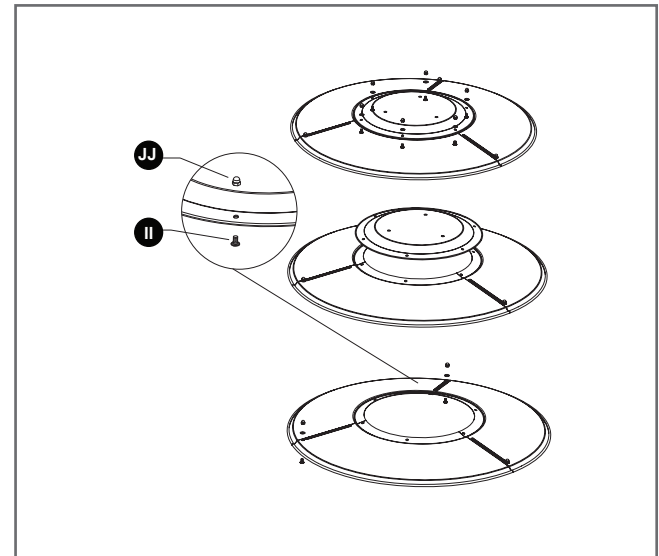
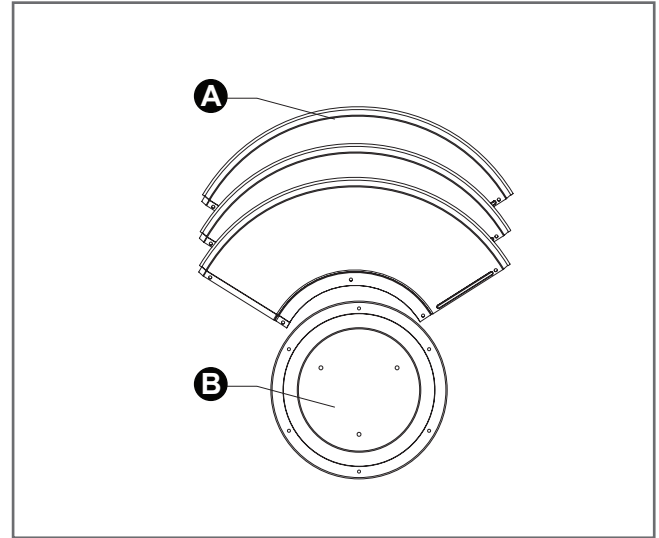
à l'aide de 9 vis M6x10 (II) et de 9 écrous borgnes (JJ).

Serrez complètement toutes les vis.

Matériau utilisé

II Vis M6x10  x 9

JJ Écrou borgne  x 9



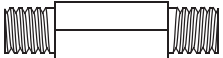
Étape 8

Fixez d'abord 3 bagues d'espacement de réflecteur (FF) et 3 rondelles (GG) au brûleur (C). Serrez les bagues d'espacement du réflecteur.


Faites glisser 3 rondelles (GG) sur l'extrémité fileté des bagues d'espacement.

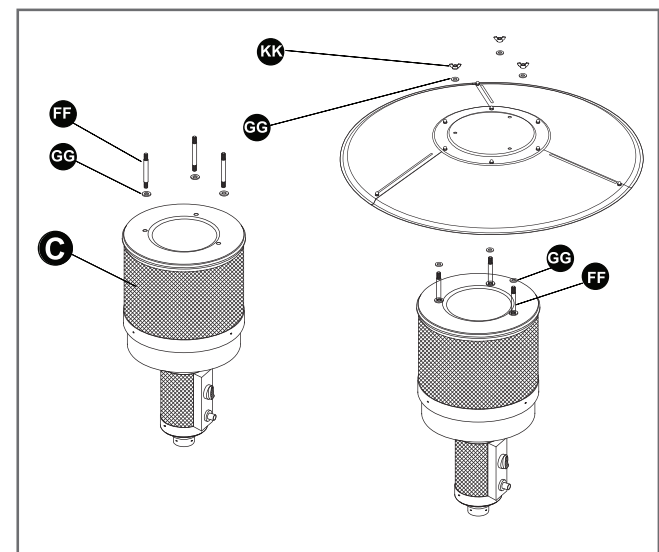
Fixez le réflecteur au sommet de la bague d'espacement du réflecteur (FF) à l'aide de 3 rondelles (GG) et de 3 écrous à oreilles (KK).

Matériau utilisé

FF Bague d'espacement du réflecteur  x 3

GG Rondelle  x 9

KK Écrou à oreilles  x 3



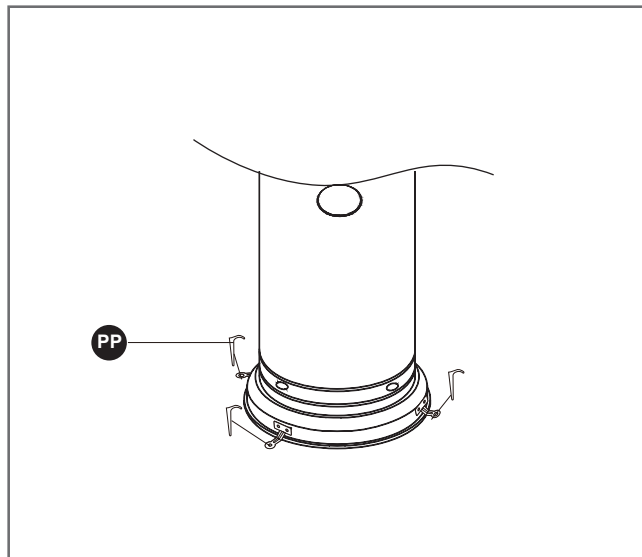
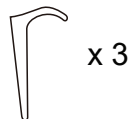
INSTRUCTIONS D'ASSEMBLAGE

Étape 9

En option : Utilisez 3 ancrs (PP) pour fixer le produit dans le sol.

Matériau utilisé

PP Ancre



Étape 10

Placez la bouteille de propane (non inclus) sur la base. Serrez la sangle pour vous assurer que la bouteille de propane est correctement maintenue en place.

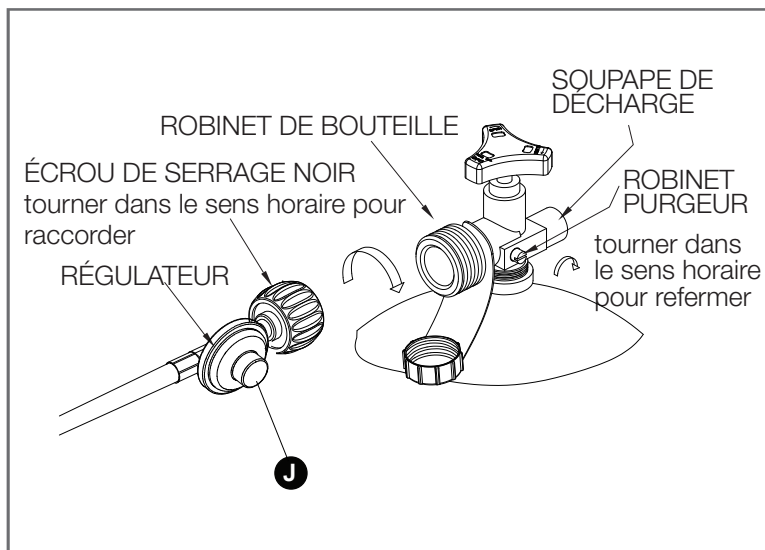


Étape 11

Tournez le détendeur de la bouteille dans le sens horaire pour fermer la bouteille de propane.

Fixez le régulateur (J) au détendeur de la bouteille en tournant l'écrou de serrage du régulateur dans le sens horaire.

Assurez-vous qu'il est solidement fixé et serrez les raccords à la main uniquement



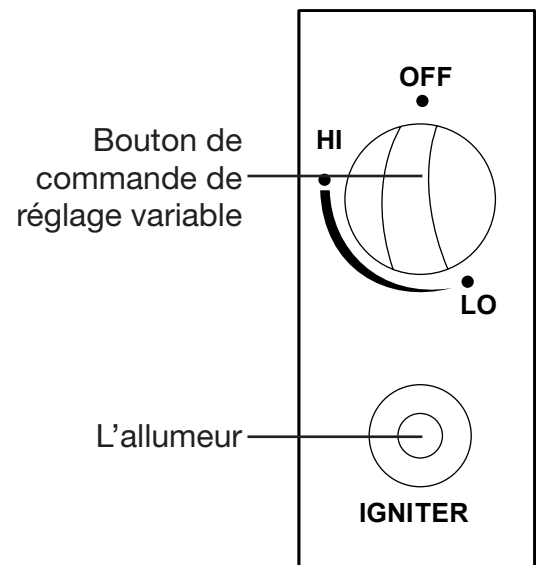
FONCTIONNEMENT

Avant d'effectuer un essai d'étanchéité, assurez-vous qu'aucune étincelle ne peut se produire et que vous êtes dans un espace extérieur spacieux. Raccordez la bouteille de gaz propane au régulateur et tournez le robinet à la position 'off' (arrêt). Appliquez une solution d'eau savonneuse à la brosse sur tous les raccordements. Ouvrez l'alimentation en gaz; si des bulles paraissent à un raccordement quelconque, il y a possiblement une fuite. **Si vous sentez le gaz ou si une fuite est détectée, fermez le robinet de gaz, détachez la bouteille de gaz propane et n'utilisez pas l'appareil jusqu'à ce que la fuite soit réparée.**

N'utilisez pas l'appareil de chauffage sans avoir examiné le tuyau de gaz. S'il y a des signes d'usure ou d'abrasion vous devez remplacer le tuyau (le cas échéant).

Pour allumer

1. Ouvrez le robinet d'alimentation de la bouteille de gaz.
2. Appuyez sur le bouton de commande de réglage variable et tournez-le sur la position 'HI' et tenez-le enfoncé pendant 3-5 secondes.
3. En appuyant sur le bouton de commande de réglage variable, poussez le bouton d'allumeur plusieurs fois jusqu'à ce que la tête du brûleur s'enflamme. Dégagez le bouton de commande de réglage variable 30 secondes après l'allumage.
4. Si vous venez de raccorder une nouvelle bouteille, permettez au moins une minute ou plus pour que l'air dans le tuyau d'alimentation en gaz soit purgé.
5. On peut surveiller et vérifier la flamme du judas qui est situé à la base du brûleur.
6. Tournez le bouton de commande de réglage variable sur la position 'LO' et attendez 5 minutes avant de tourner le bouton au réglage de température voulu. Si une petite flamme est nécessaire, réglez le bouton de commande de réglage variable en position 'LO'.
7. Si la flamme du brûleur s'éteint accidentellement ou si elle est éteinte par le vent, arrêtez la chaufferette et attendez au moins 5 minutes ou plus pour faire dissiper le gaz avant de rallumer pour éviter une explosion de gaz possible. Répétez les étapes 2 à 3.



Quand elle est allumée pour la première fois la chaufferette peut émettre une légère odeur et fumée. C'est une condition normale et temporaire. La grille de l'émetteur deviendra rouge vif à cause de la chaleur. La couleur est plus visible quand il fait noir. Les flammes doivent être bleues; ces flammes ne doivent pas être jaunes, ce qui indique une obstruction dans l'écoulement d'air à travers les brûleurs.

Pour éteindre

1. Tournez le bouton de commande dans le sens horaire à la position 'off'.
2. Fermez le robinet de la bouteille de gaz propane si vous n'avez pas l'intention de l'utiliser pendant une période prolongée.

- Avant d'effectuer des travaux d'entretien, détachez toujours la bouteille de gaz propane.
- Gardez l'appareil de chauffage dégagé de matériaux combustibles.
- Inspectez visuellement le brûleur pour des obstructions, et gardez l'enceinte de la bouteille dégagée de débris.
- Les conditions sévères extérieures peuvent provoquer des taches coriaces, la décoloration et possiblement des piqûres de corrosion.
- Des dommages permanents peuvent se produire si une poudre ou un dissolvant entre en contact avec les composants peints ou en plastique de cet appareil de chauffage.
- Entrez l'appareil de chauffage loin des rayons directs du soleil.
- Pour l'entreposage de cette unité à l'intérieur, détachez la bouteille de gaz propane du robinet.
- Ne pas utiliser des pièces et accessoires approuvés ou fournis par le fabricant peut entraîner un état défectueux et annuler la garantie de cet appareil de chauffage.
- Posez toujours le couvercle (le cas échéant) ou la housse protectrice sur l'appareil de chauffage quand il n'est pas utilisé.

Problème	Cause	Solution
Le brûleur ne s'allume pas.	L'injecteur du brûleur est bloqué.	Nettoyer l'injecteur du brûleur.
	Il y a une faible pression de gaz.	Appeler votre fournisseur de gaz.
La flamme du brûleur s'éteint immédiatement après l'allumage.	La pression d'air est trop basse.	Appeler votre fournisseur de gaz.
L'allumage est retardé.	Les ports du brûleur principal sont bouchés.	Nettoyer les ports du brûleur principal.
	La pression d'air est trop basse.	Appeler votre fournisseur de gaz.
La combustion sur le brûleur est inadéquate.	Il n'y a pas assez d'air.	Vérifier les passages de l'air et les brûleurs pour toute trace de saleté et débris, et nettoyer à l'air comprimé.
La flamme du brûleur est faible.	Le boyau d'alimentation est tordu ou plié.	Redresser le boyau et effectuer un test de fuite.
	Il y a un blocage dans l'injecteur du brûleur.	Nettoyer ou remplacer l'injecteur du brûleur.
L'émetteur brille de manière non uniforme.	Il y a un blocage dans l'injecteur du brûleur.	Nettoyer ou remplacer l'injecteur du brûleur.
	La base n'est pas sur une surface à niveau.	Placer l'appareil sur une surface à niveau.
	La pression d'air est trop faible.	Remplacer la bouteille avec une nouvelle bouteille.
Il y a un peu de fumée et d'odeur lors du fonctionnement initial.	Il s'agit de résidu du processus manufacturier.	Tout disparaîtra après 30 minutes de fonctionnement.
Il y a une épaisse fumée noire.	Il y a un blocage dans le brûleur.	Éteindre l'appareil et le laisser refroidir. Retirer l'obstruction et nettoyer le brûleur à l'intérieur et à l'extérieur.
L'appareil produit un sifflement lorsque le brûleur est allumé.	Les passages d'air sont bloqués.	Vérifier le dégagement minimum de l'installation et les passages d'air pour des débris.
	Il y a de l'air dans la conduite de gaz.	Faire fonctionner le brûleur jusqu'à ce qu'il n'y ait plus d'air.
L'appareil produit un cliquetis tout juste après l'allumage/ fermeture du brûleur.	Il y a expansion et contraction du métal.	C'est commun pour les appareils de chauffage. Si le bruit est excessif, contacter un technicien agréé.
Il y a une odeur de gaz même quand le bouton de commande est à la position OFF.	Il y a une fuite de gaz.	Localiser et réparer la fuite immédiatement.
	La commande du gaz est défectueuse.	Remplacer la commande du gaz.
Il y a une odeur de gaz pendant la combustion.	Il y a de la matière étrangère dans le gaz ou les ports du brûleur.	Vérifier le passage du gaz et le brûleur.
	L'appareil brûle des vapeurs de peinture ou d'impuretés dans l'air.	Arrêter d'entreposer et d'utiliser des produits causant des odeurs près de l'appareil de chauffage.
	Il y a une fuite de gaz provenant de régulateur et du raccord de boyau, la soupape et les raccords de tuyau, et les tuyaux.	Localiser et réparer la fuite ou contacter votre fournisseur de gaz.
Il y a accumulation de carbone.	Il y a de la saleté ou un film sur le réflecteur et le pare flammes.	Nettoyer le réflecteur et le pare flammes.

GARANTIE

La garantie du fabricant sera annulée par le fabricant, et le fabricant décline toute responsabilité pour les actions suivantes :

- Modification de l'unité et (ou) de ses composants, y compris le système d'alimentation en gaz.
- Emploi d'un composant non fabriqué ou approuvé par Bond Manufacturing Co., Inc.
- Utilisation et installation autrement que selon les instructions de ce guide.

Veuillez contacter le fabricant pour obtenir des pièces de rechange.

POUR NOUS REJOINDRE

Pour toute question ou préoccupation, veuillez communiquer avec Bond Manufacturing Co., Inc. aux ressources ci-dessous :

Téléphone sans frais	1 866 771-BOND(2663) du lundi au vendredi, de 8 h à 16 h 30 HNP
Courriel	customer.service@bondmfg.com
En ligne	www.bondmfg.com

Bond Manufacturing Co., Inc.
2516 Verne Roberts Cir., STE H3, Antioch, CA 94509, USA

