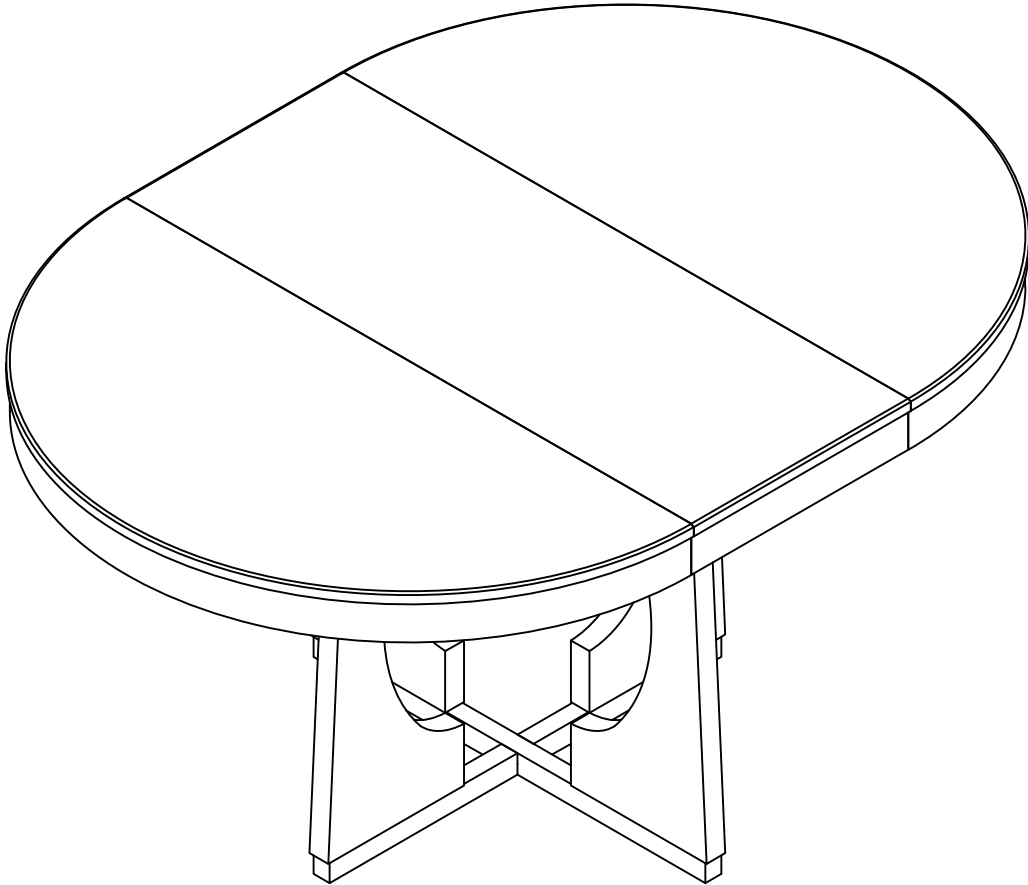


ASSEMBLY INSTRUCTION

ITEM NO. N715P202321

Dining Table



ASSEMBLY INSTRUCTION

ITEM NO. N715P202321

Please read these instructions fully before starting assembly:

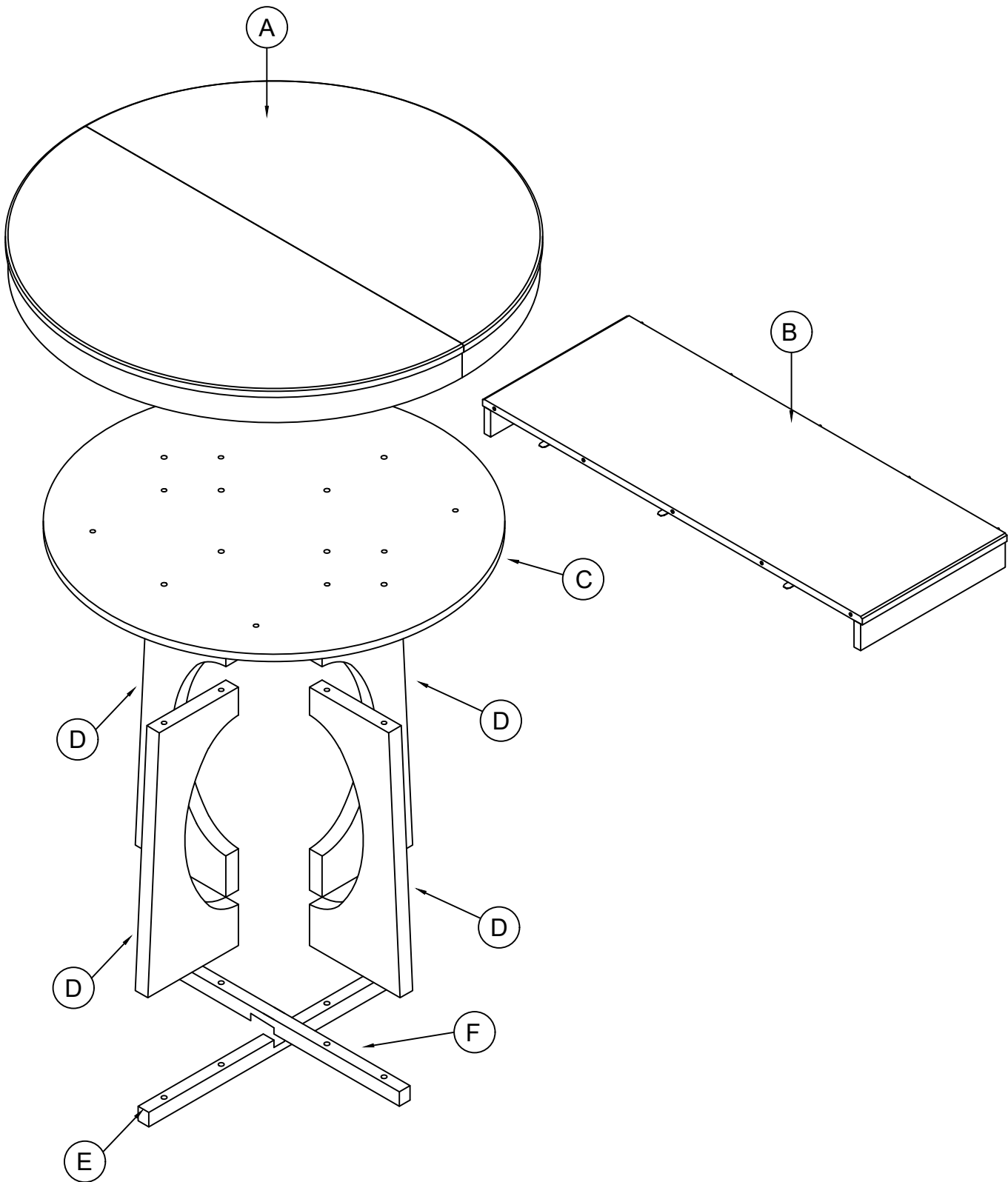
1. Place all wooden parts on a clean and smooth surface such as a rug or carpet to avoid scratching the parts.
2. Kindly follow the assembly instructions step by step.
3. Do not tighten all screws and bolts until the table is fully assembled.
4. Unscrew the protective plastique supports from the metal insert of the table legs before assembly.
5. Parts of the assembly will be easier with 2 people.

Care and maintenance:

Only clean using a damp cloth and mild detergent, do not use bleach or abrasive cleaners

ASSEMBLY INSTRUCTION

ITEM NO. N715P202321



ASSEMBLY INSTRUCTION

ITEM NO. N715P202321

Part List

(A)

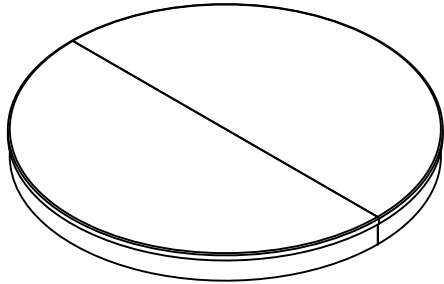


TABLE TOP (1pc)

(B)

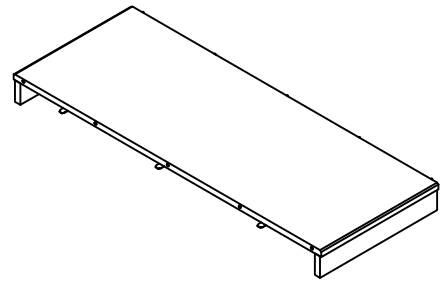
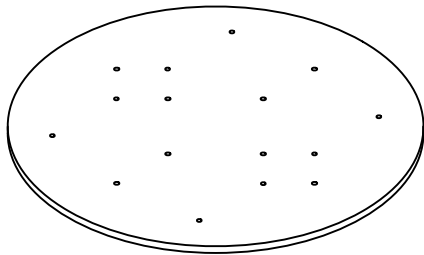


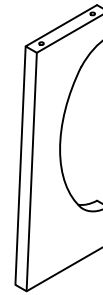
TABLE LEAF (1pc)

(C)



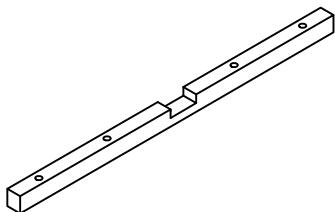
CONNECT PANEL(1pc)

(D)



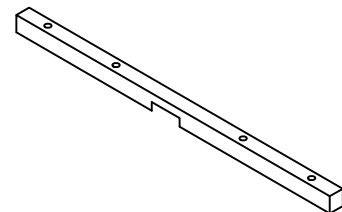
POST (4pcs)

(E)



BOTTOM FRAME BELOW (1pc)

(F)



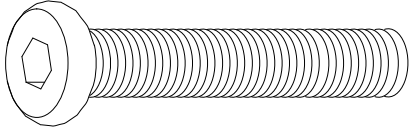
BOTTOM FRAME TOP(1pc)

ASSEMBLY INSTRUCTION

ITEM NO. N715P202321

Hardware List

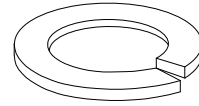
1



Ø5/16"*L38mm

BOLT (24pcs)

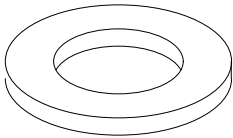
2



Ø5/16"*13mm

LOCK WASHER (24pcs)

3



Ø5/16"*19mm

FLAT WASHER (24pcs)

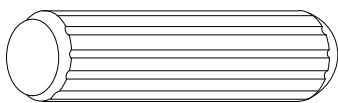
4



5mm

ALLEN KEY (1pc)

5



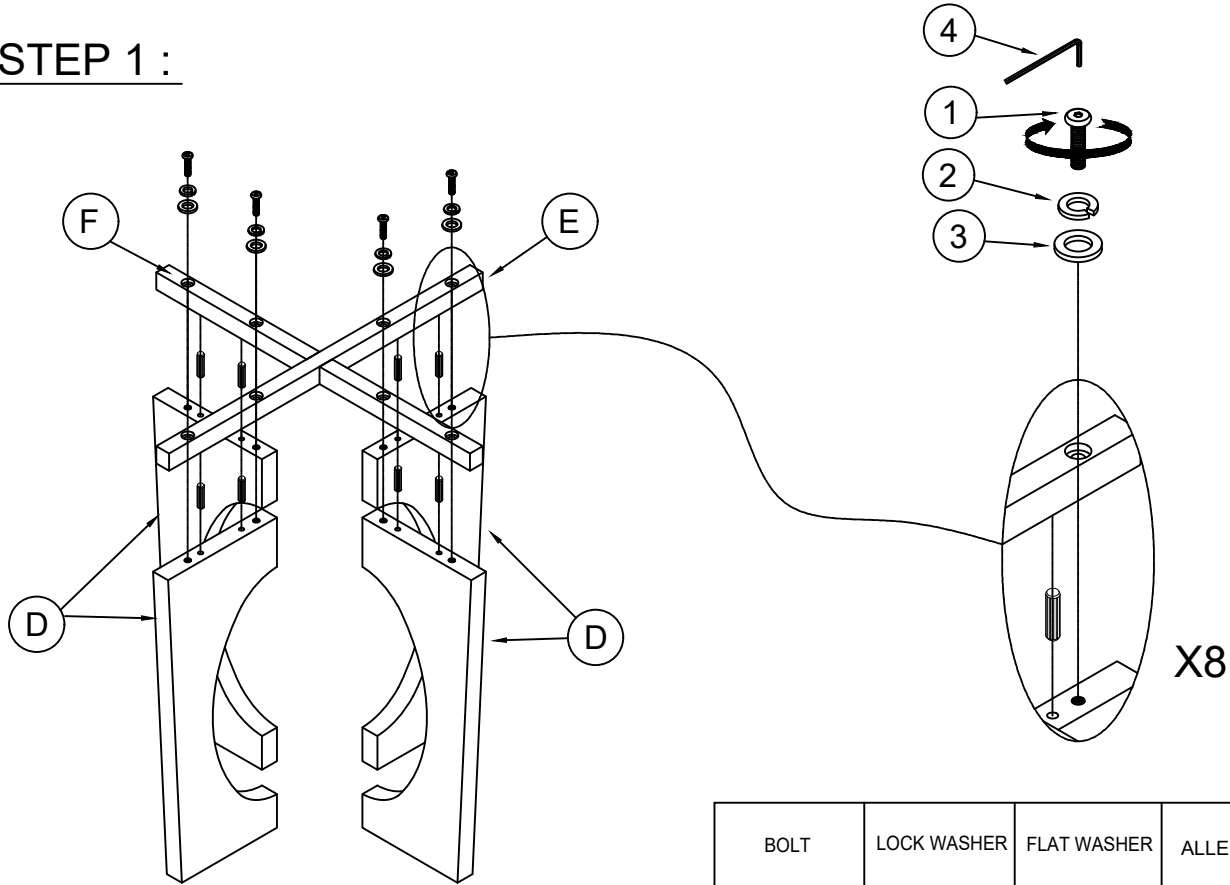
Ø8*30mm

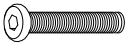




WOOD DOWEL (8pcs)

ASSEMBLY INSTRUCTION

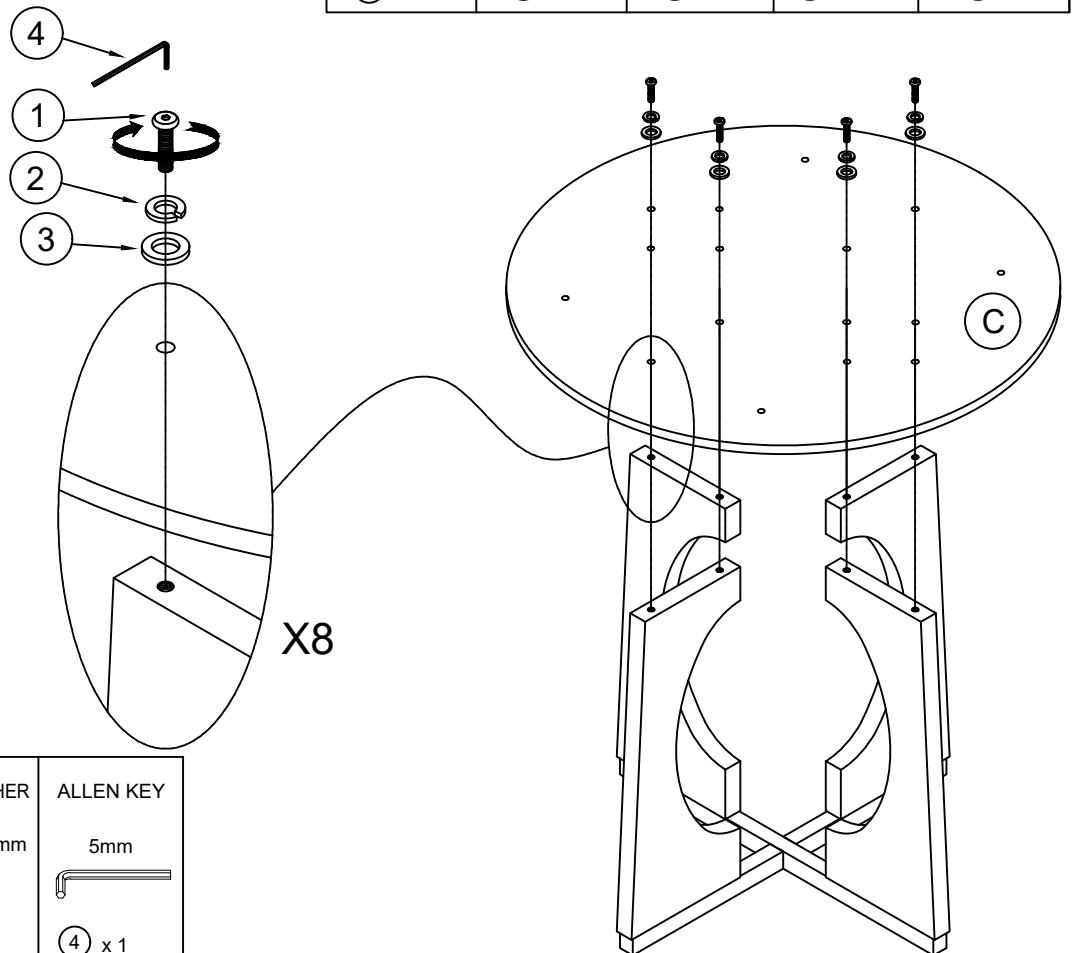
ITEM NO. N715P202321

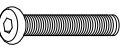



STEP 1 :



BOLT	LOCK WASHER	FLAT WASHER	ALLEN KEY	WOOD DOWEL
Ø5/16**38mm	Ø5/16**13mm	Ø5/16**19mm	5mm	Ø8*30mm
				
① x 8	② x 8	③ x 8	④ x 1	⑤ x 8

STEP 2 :

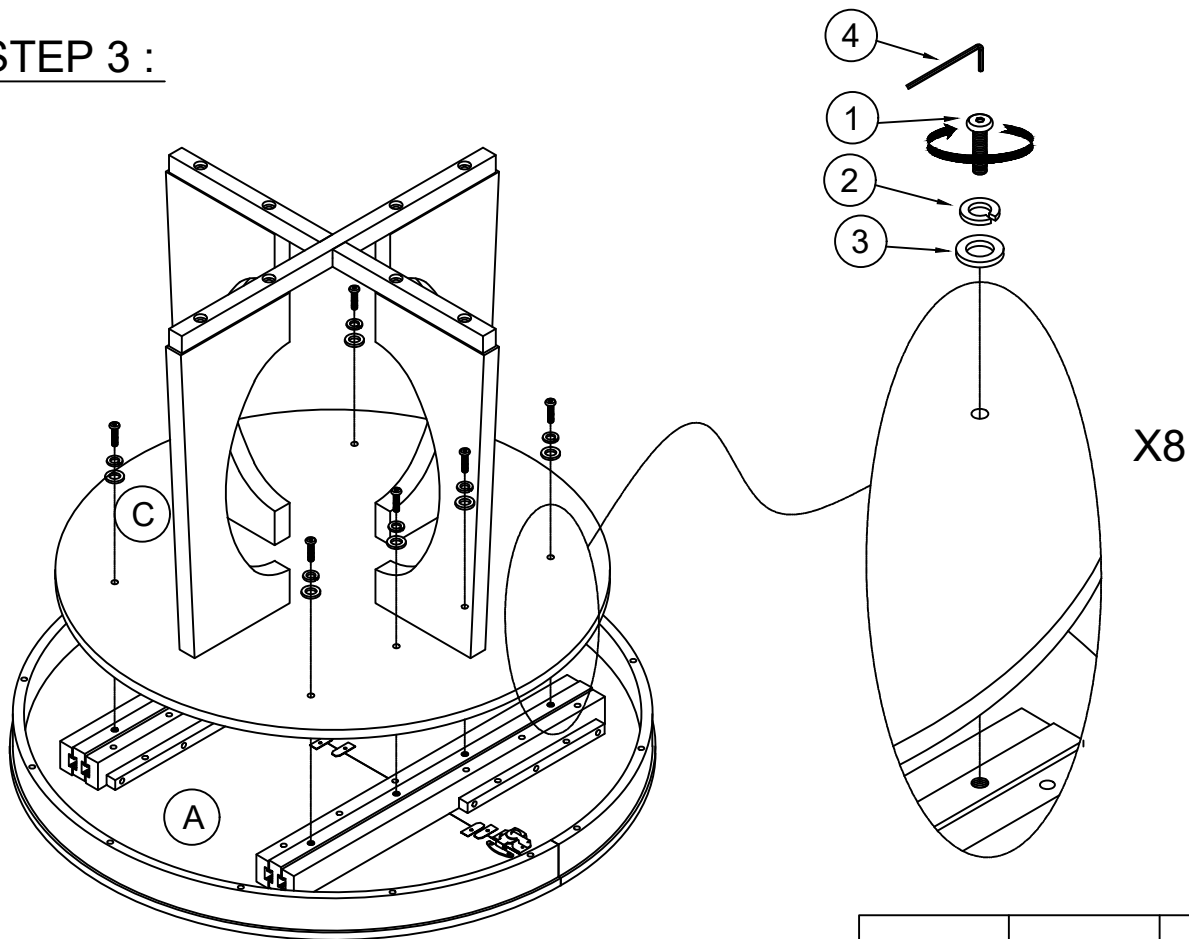


BOLT	LOCK WASHER	FLAT WASHER	ALLEN KEY
Ø5/16**38mm	Ø5/16**13mm	Ø5/16**19mm	5mm
			
① x 8	② x 8	③ x 8	④ x 1

ASSEMBLY INSTRUCTION





ITEM NO. N715P202321

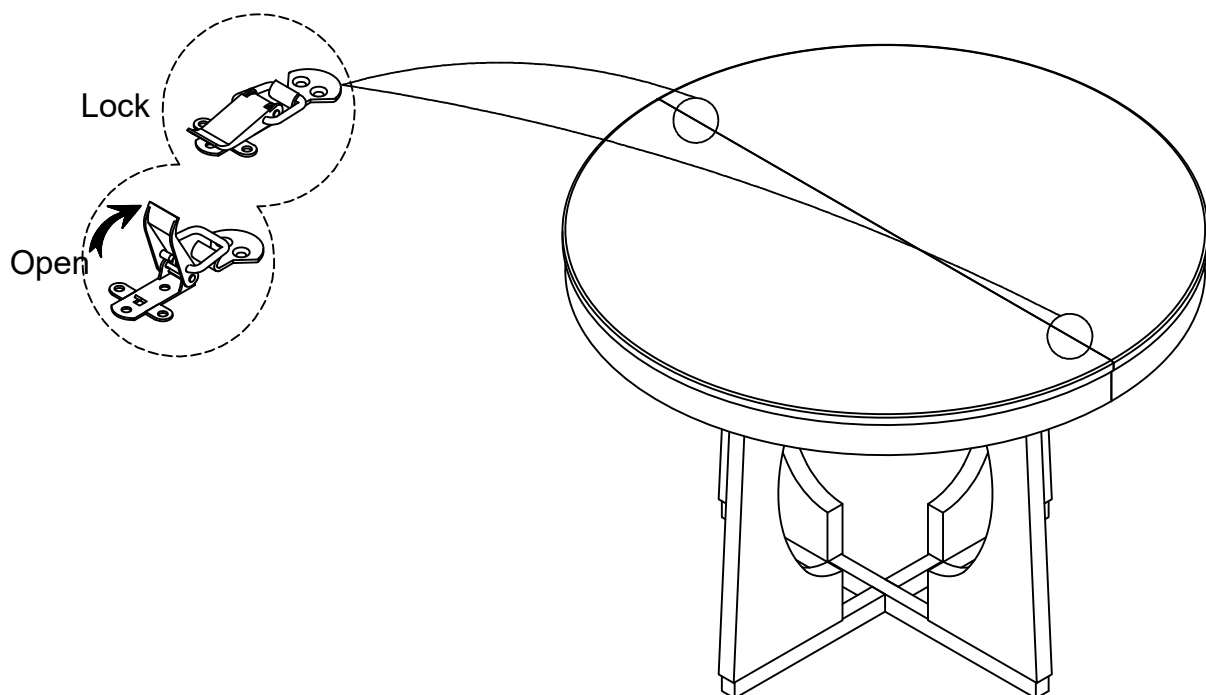
STEP 3:



STEP 4:

Lock / Verrouillage

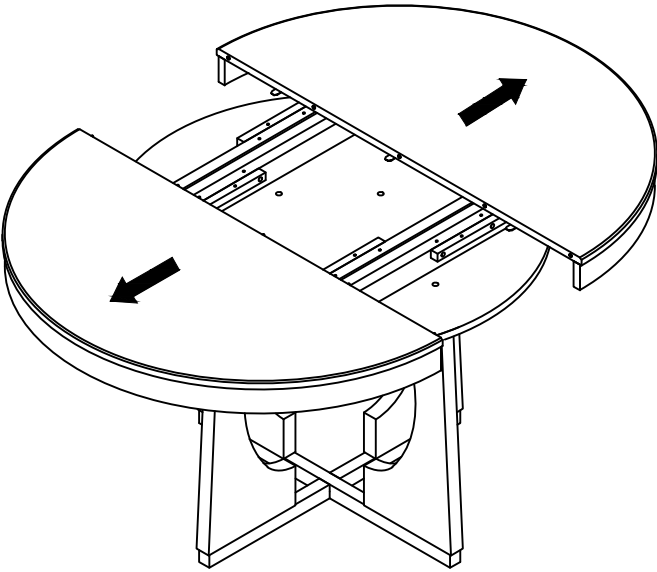
BOLT	LOCK WASHER	FLAT WASHER	ALLEN KEY
Ø5/16**38mm	Ø5/16**13mm	Ø5/16**19mm	5mm
			
① x 8	② x 8	③ x 8	④ x 1



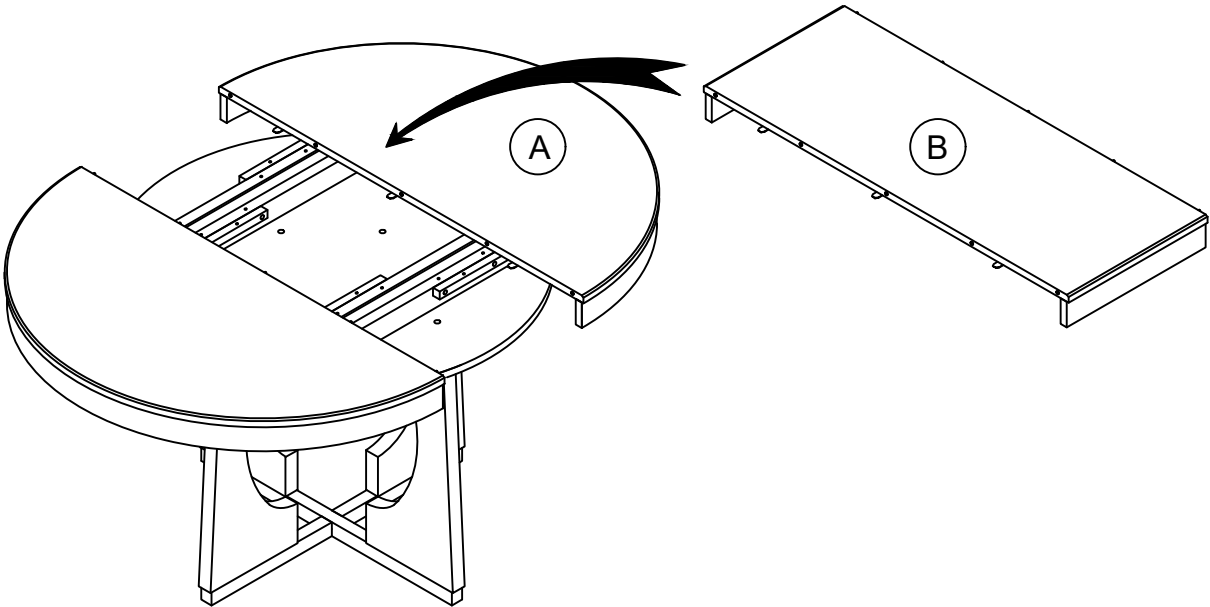
ASSEMBLY INSTRUCTION

ITEM NO. N715P202321

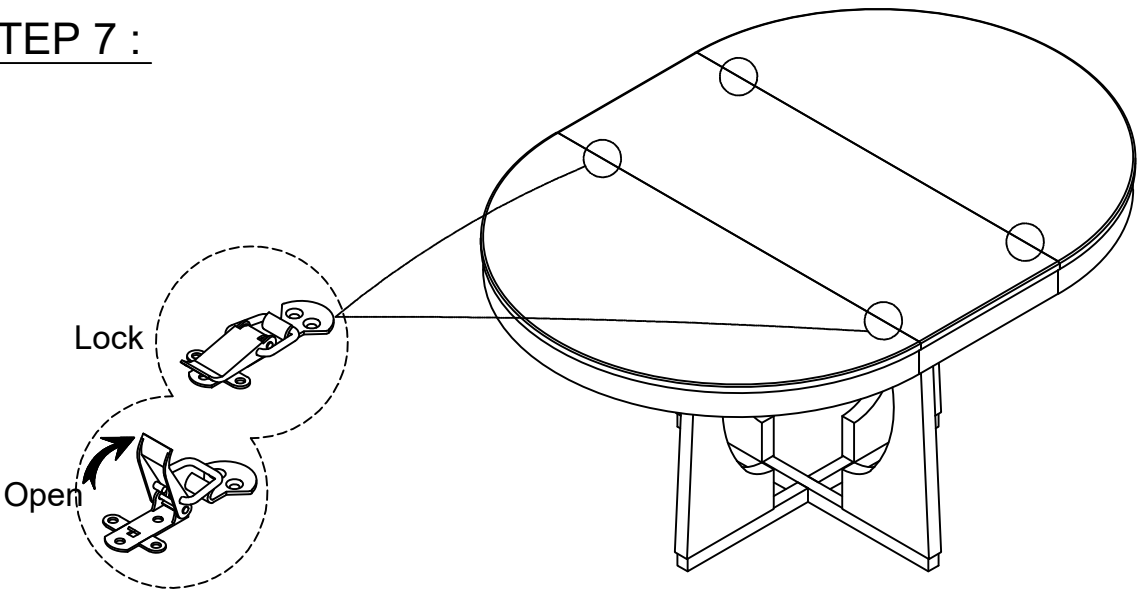
STEP 5:



STEP 6:



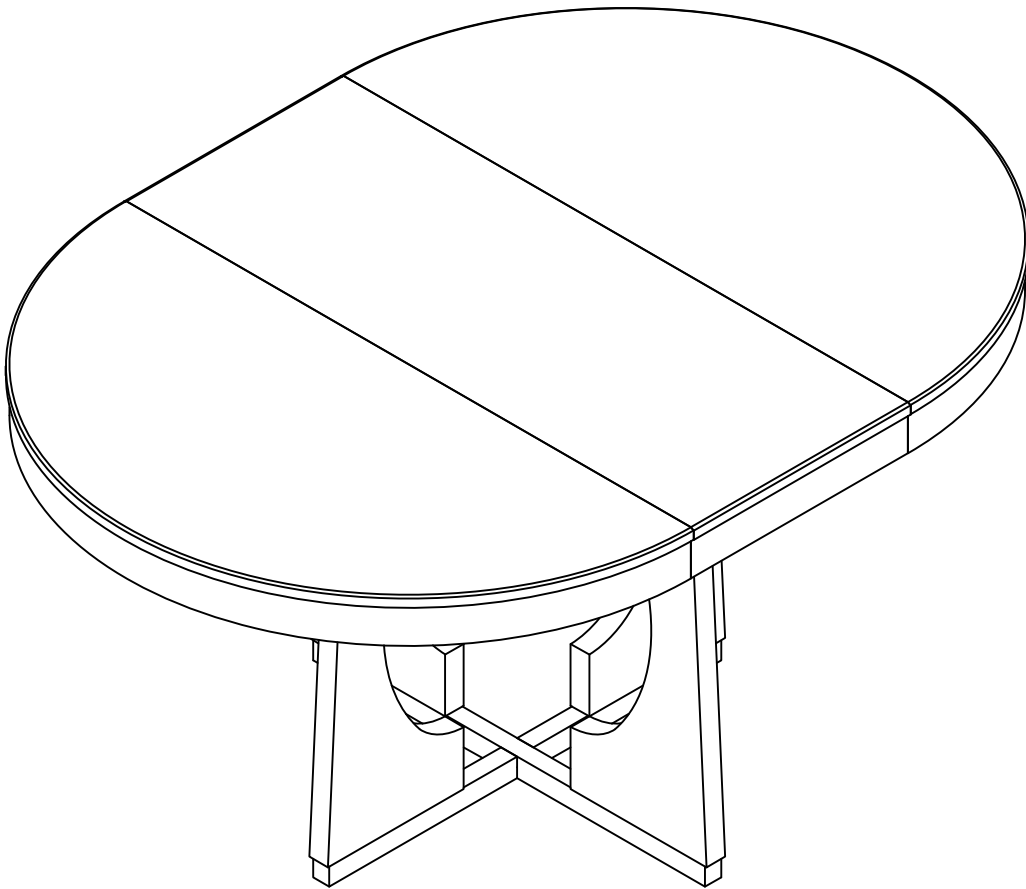
STEP 7:



ASSEMBLY INSTRUCTION

ITEM NO. N715P202321

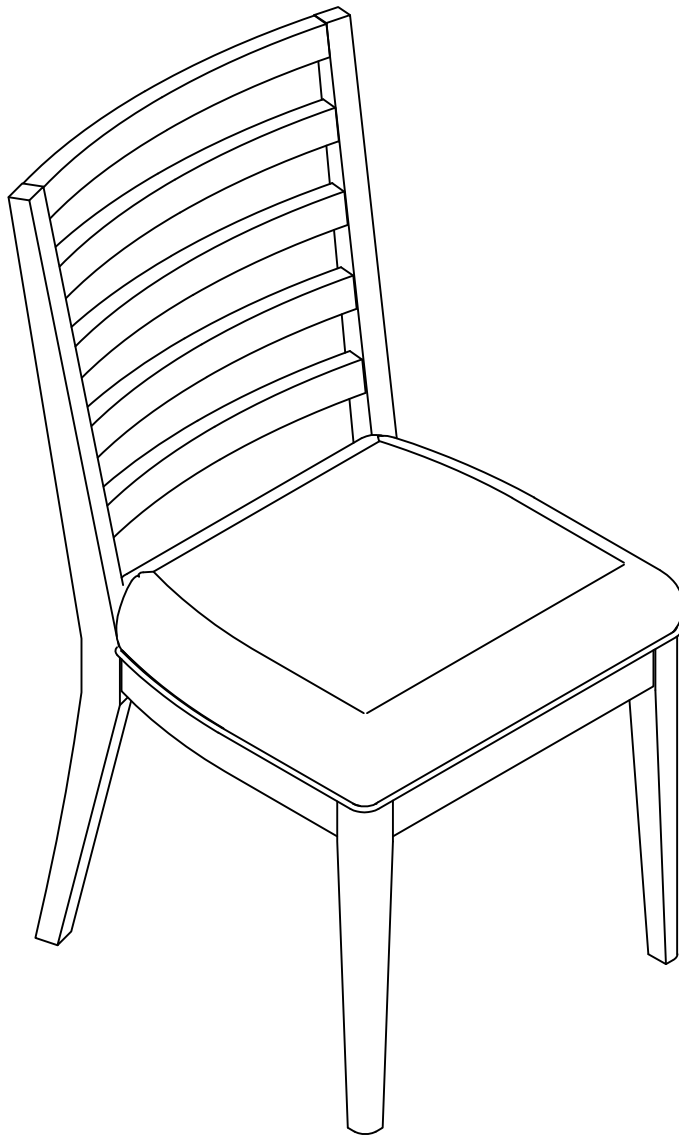
COMPLETE



ASSEMBLY INSTRUCTION

ITEM NO. N715P392715

Dining Chair



ASSEMBLY INSTRUCTION

ITEM NO. N715P392715

Please read these instructions fully before starting assembly:

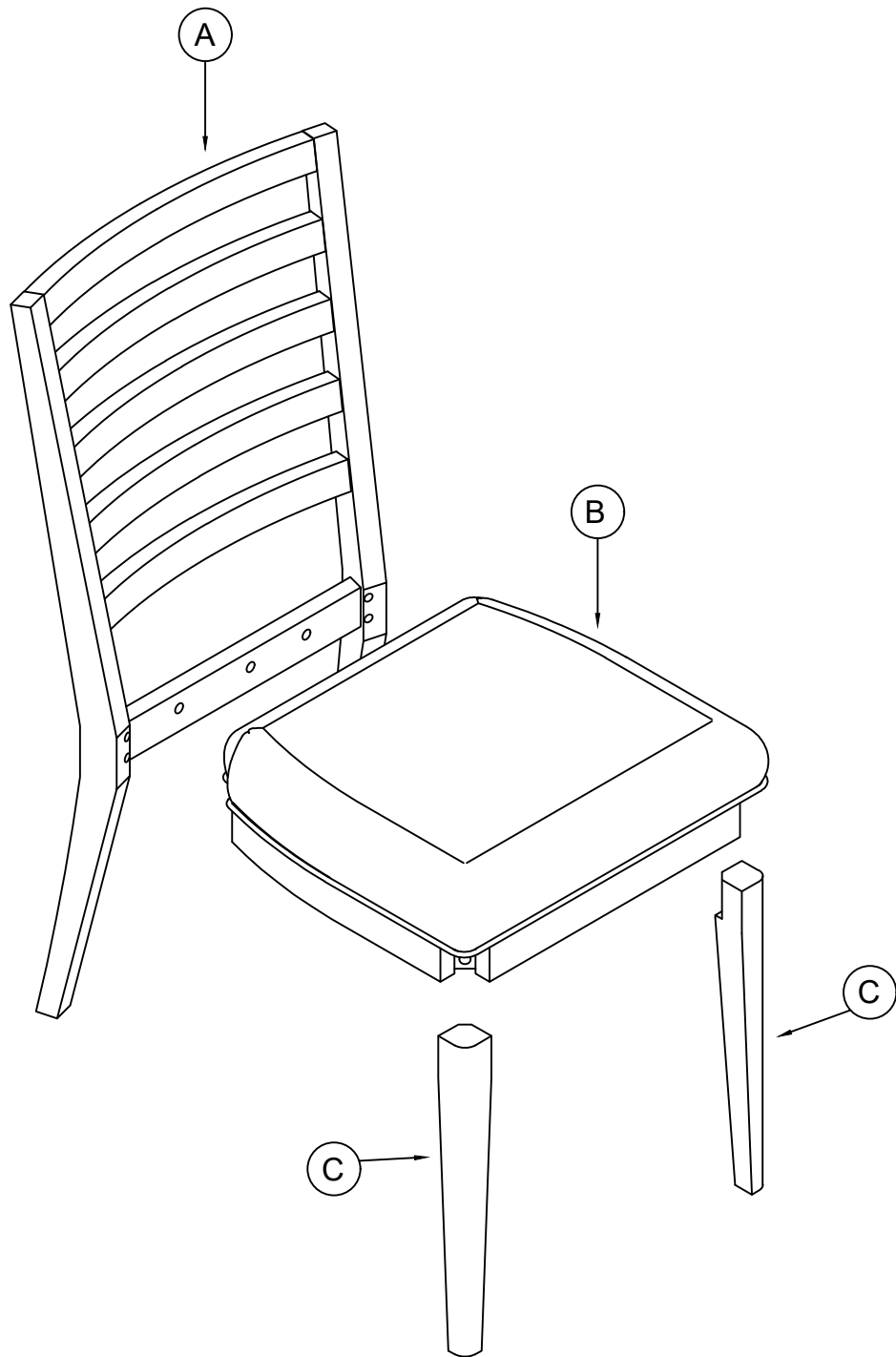
1. Place all wooden parts on a clean and smooth surface such as a rug or carpet to avoid scratching the parts.
2. Kindly follow the assembly instructions step by step.
3. Do not tighten all screws and bolts until the table is fully assembled.
4. Unscrew the protective plastique supports from the metal insert of the table legs before assembly.
5. Parts of the assembly will be easier with 2 people.

Care and maintenance:

Only clean using a damp cloth and mild detergent, do not use bleach or abrasive cleaners

ASSEMBLY INSTRUCTION

ITEM NO. N715P392715

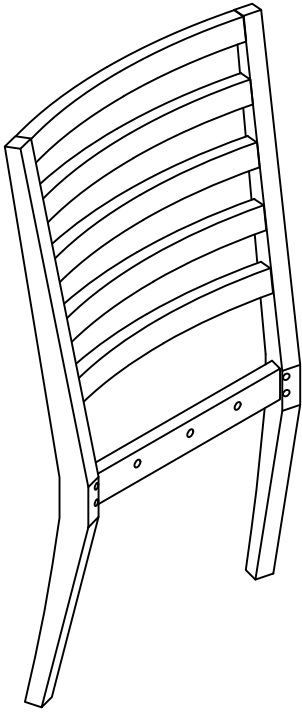


ASSEMBLY INSTRUCTION

ITEM NO. N715P392715

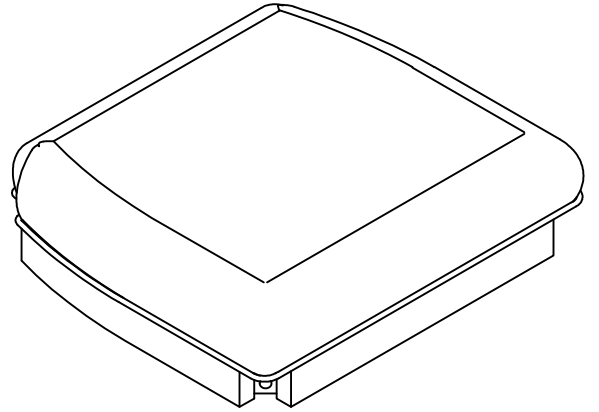
Part List

A



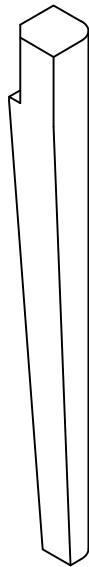
BACK CHAIR (1pc)

B



SEAT CUSHION (1pc)

C



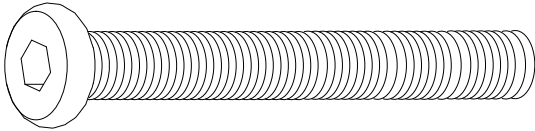
FRONT LEGS (2pcs)

ASSEMBLY INSTRUCTION

ITEM NO. N715P392715

Hardware List

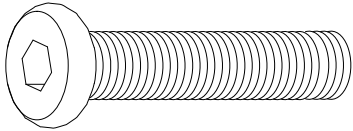
1



Ø1/4"*L75mm

BOLT (4pcs)

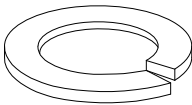
2



Ø1/4"*L38mm

BOLT (2pcs)

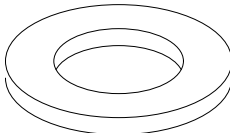
3



Ø1/4"*13mm

LOCK WASHER (10pcs)

4



Ø1/4"*19mm

FLAT WASHER (10pcs)

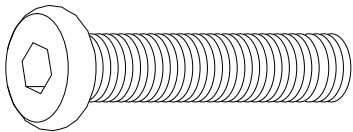
5



5mm

ALLEN KEY (1pc)

6



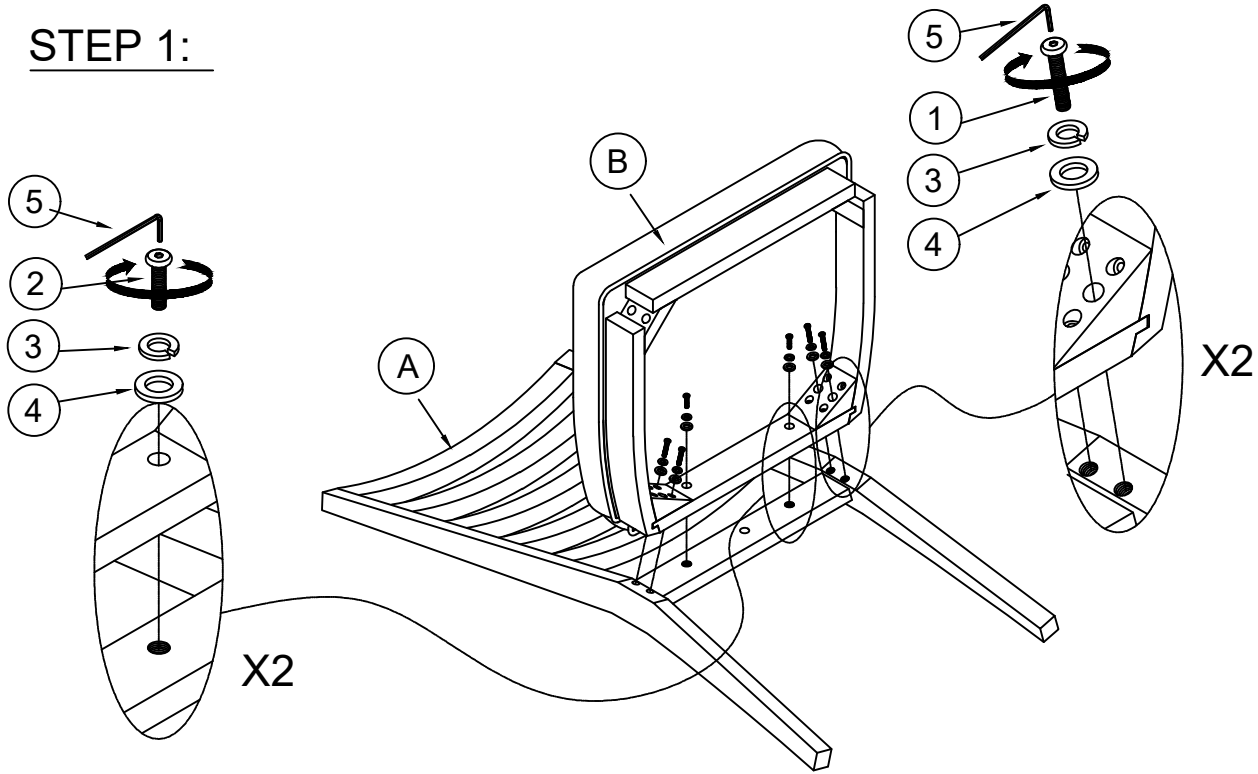
Ø1/4"*L60mm


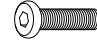



BOLT (4pcs)

ASSEMBLY INSTRUCTION

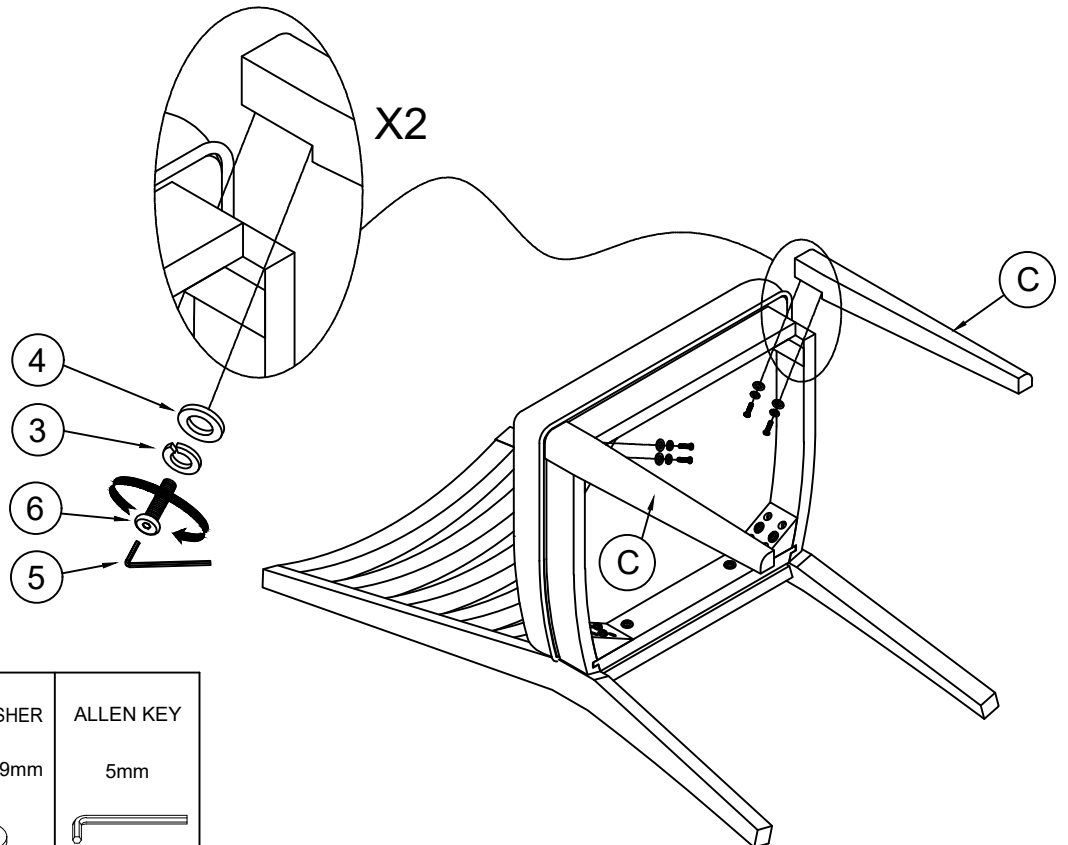
ITEM NO. N715P392715

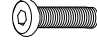



STEP 1:



BOLT	BOLT	LOCK WASHER	FLAT WASHER	ALLEN KEY
Ø5/16**75mm	Ø5/16**45mm	Ø5/16**13mm	Ø5/16**19mm	5mm
				
① x 4	② x 2	③ x 6	④ x 6	⑤ x 1

STEP 2:



BOLT	LOCK WASHER	FLAT WASHER	ALLEN KEY
Ø5/16**45mm	Ø5/16**13mm	Ø5/16**19mm	5mm
			
⑥ x 4	③ x 4	④ x 4	⑤ x 1

ASSEMBLY INSTRUCTION

ITEM NO. N715P392715

COMPLETE

