

INSTALLING A GARBAGE DISPOSAL

This is a standard basket strainer drain assembly. It is designed for attaching your sink to your standard plumbing drain. It cannot be used with a garbage disposal. If you are installing a garbage disposal, you have to use the "FLANGE" that comes with the disposal.

ATTENTION INSTALLER

- Read all instructions carefully before installation. Inspect the item and make sure you have all the parts shown in the parts list.
- If any part is missing or damaged, please contact Ruvati Support at 1-855-478-8284 or www.ruvati.com.
- Consult with a professional plumber if you encounter difficulties or are unsure about any step in the process.

Register your product at: www.ruvati.com/register-product

RUVATI®

Address: 2705 Meister Pl, Round Rock, TX 78664

USA Phone: 1.855.478.8284

Email: support@ruvati.com

RUVATI®

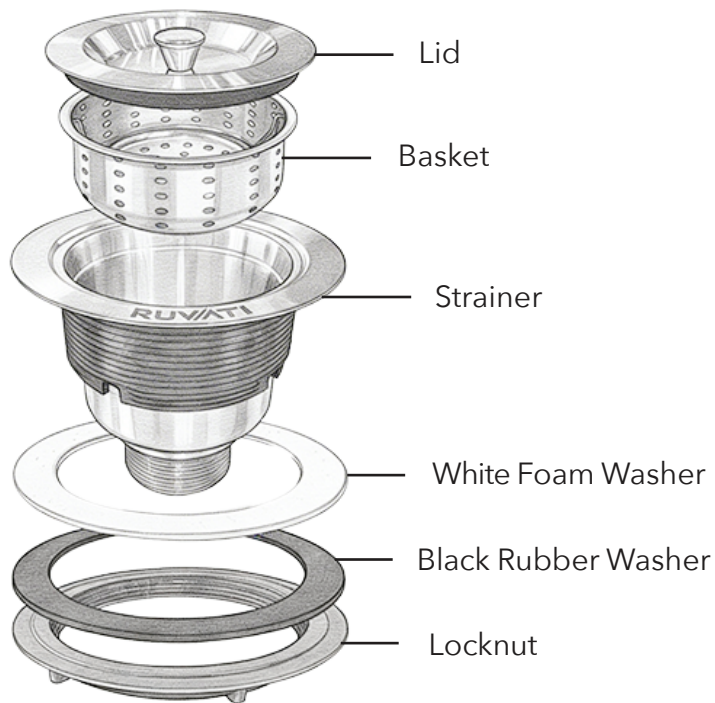
INSTALLATION GUIDE

BASKET STRAINER

RVA1025



INCLUDED IN BOX



INSTALLATION GUIDE

1. Before installing the basket strainer, make sure the area surrounding the sink hole is clean and completely dry.
2. Attach the drain to the sink as shown. Place the White Foam Washer above the sink, or use plumber's putty as an alternative. If using putty, form a ring to fit the sink hole and apply it around the edge.

NOTE: If you use plumber's putty, do not use the foam washer. You can discard it.

3. From underneath the sink, place the Black Rubber Washer on the strainer and push it all the way up the stem.
4. Place the locknut on the base of the strainer and screw it all the way up until tight. **Do not over-tighten;** hand-tighten only. For stability, have someone hold the strainer from above with needle-nose pliers while you tighten the locknut.
5. Place the basket into the strainer, then set the lid on top.

