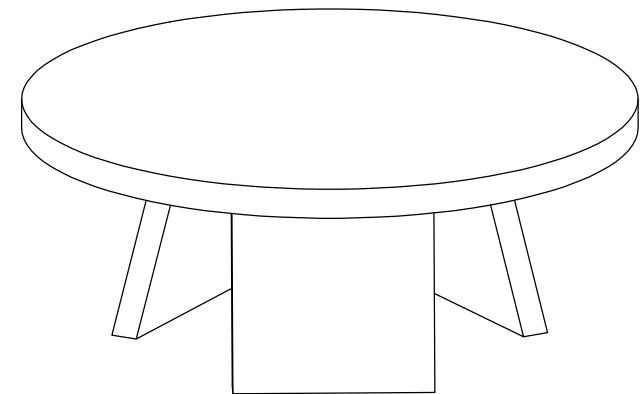


# JULIANNA WOOD COFFEE TABLE

DESIGN# SFV2127

Assembly Instructions



Need help?  
Feel free to contact us via email or call  
if you have any specific questions!

**contact us:**  
cs@safavieh.com  
866-422-9070

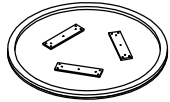
**SAFAVIEH**  
C O U T U R E

# Thanks for bringing Safavieh Couture into your home

Everything we make is incredibly simple to set up, including your new coffee table. You won't need any additional tools.

## Parts List

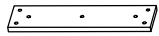
A X 1  
Table Top




B X 3  
Leg




C X 3  
Mounting Plate



## Hardware List

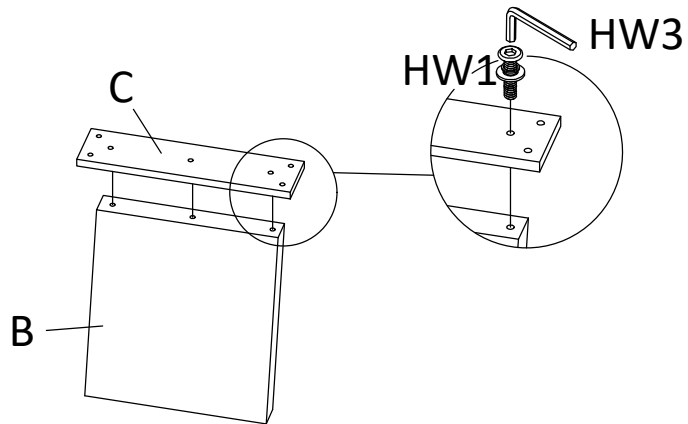
HW1 x 9  
Hex Socket Bolt 5/16"-18 x 1.5" 

HW2 x 12  
Hex Socket Bolt 1/4"-20 x 1" 

HW3 x 1  
Allen Key M4 

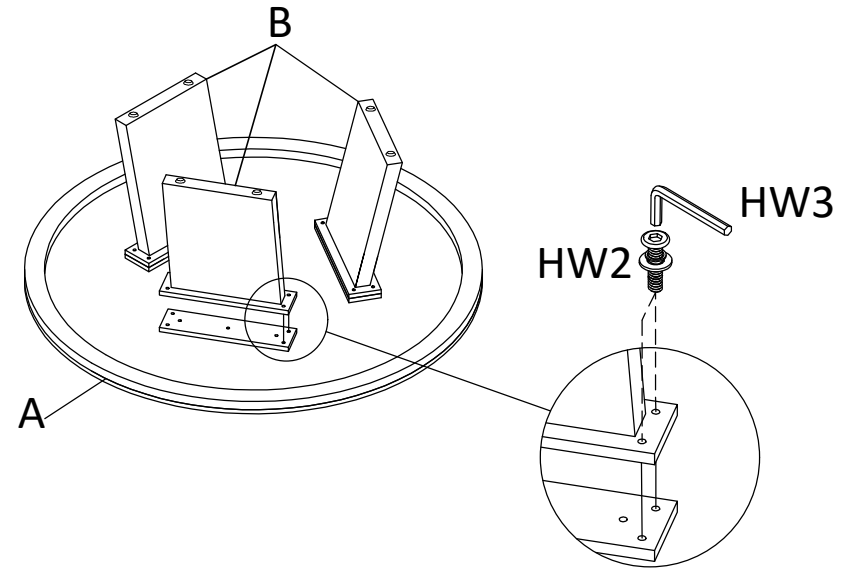
## 1

Align the screw holes on the mounting plate (C) to the holes on the legs (B). Use the Allen key (HW3) to screw in the 3 Hex Socket bolts (HW1) as shown. Repeat this step for the other 2 legs.



## 2

Place the table top (A) upside down on a soft surface. Attach the assembled legs to the table top (A) by using the Allen Key (HW3) to screw in the Hex Socket bolts (HW2) as shown.



## 3

Turn the table upright. Place the coffee table in the place where you will use it. We'd love to see it - just tag us (we're @safavieh) and use the hashtag #safavieh on Instagram!

