



Installation Instructions

Required Tools:
Cordless drill/screwdriver
Drill bits-3/32" and 5/8"
Level
1/4" Hex driver

Preparation

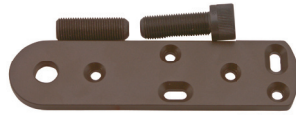
- Check the opening into which the Invisidoor will be installed to verify that it is plumb and level. Correct operation and appearance of the Invisidoor requires that the opening be level and plumb or you need to make accommodations for it.
- The Invisidoor pivot hinge is designed to be installed with the bottom hinge plate secured to stable, solid wood. This can be accomplished by using the optional ready-to-assemble jamb/threshold. This can also be accomplished by mounting to an alternative base that offers adequate support for weight of the unit and holding power for the screws.
- It is recommended that you test mount the hardware and install the Invisidoor prior to applying stain and finish coat. This will eliminate the chance of damaging the finished product during the process of mounting the hinges and adjusting the unit.

Use the diagrams to identify locations for the pivot hinge to be installed on the left or right side of the unit as either an outswing (which pulls out toward the bookcase side) or an inswing (which rotates away from the bookcase side). In most cases, the bookcase face frame will be flush with the drywall. Trim will later be mounted over the drywall and bookcase face frame, spanning across the jamb.

Install Hinges to opening



Hinge plate #1-bottom of bookcase



Hinge plate #2-threaded hole mounted on top of bookcase



Hinge plate #3-with washers mounted on threshold



Hinge plate #4- upper door jamb

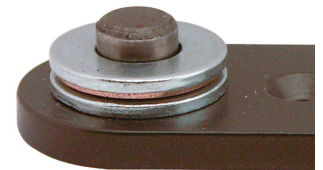
Inswing



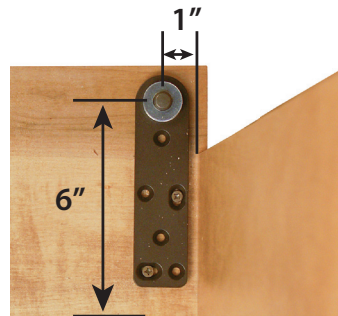
Outswing



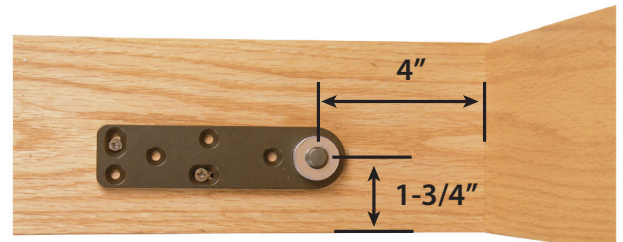
Use diagrams to install hinge plate #3 to threshold/floor. Place the two steel washers and the bronze bearing onto the hinge pin as shown.



Hinge Plate #3 on threshold



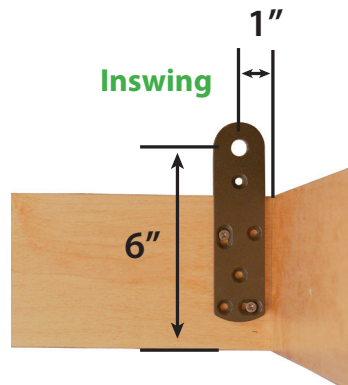
Inswing



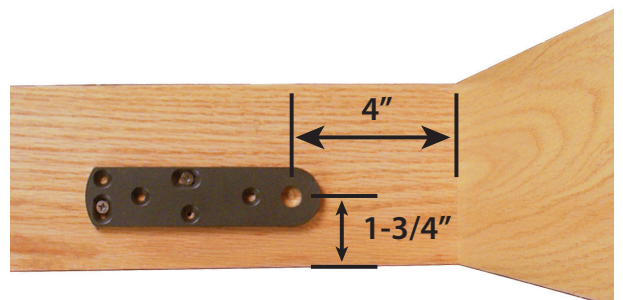
Outswing

Install a hinge plate #4 to the header. Shim the jamb as needed at location of pivot hinge for a solid mounting area with longer hinge plate screws mounted into header for final installation.

Hinge Plate #4 on upper jamb



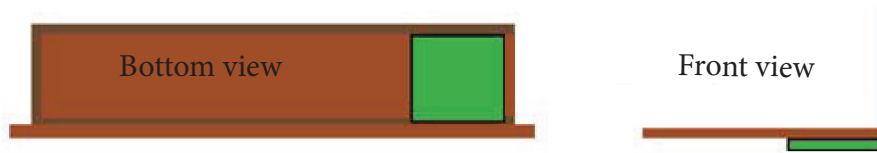
Inswing



Outswing

Install Hinges to bookcase

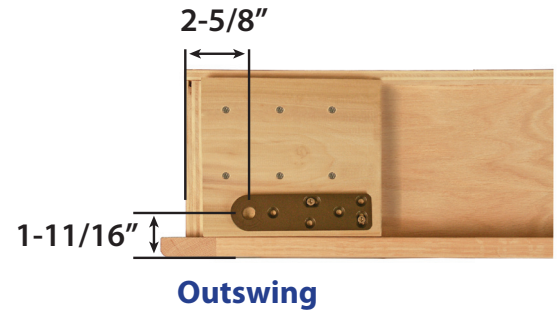
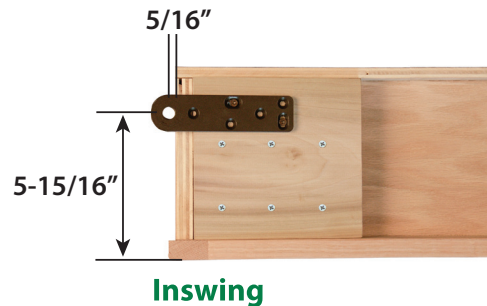
Install the mounting blocks (usually **two 11/16" blocks on the bottom** and **one 1/2" on the top**) to the hinged side of the bookcase unit. Modify the blocks or use blocks of a different thickness to create appropriate height and margin for your application.



Use the mounting diagram to install hinge plate # 1 to the bottom of the book case.

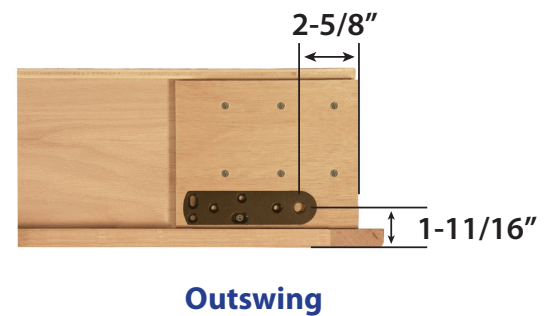
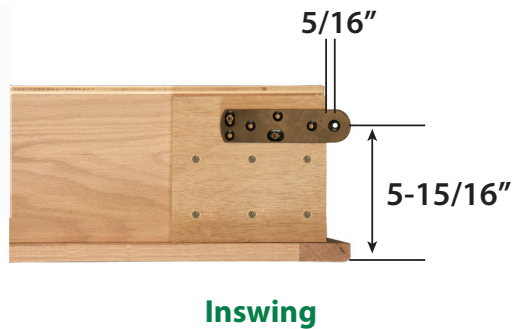
Prior to installing the upper hinge on an **outswing** door to the bookcase, an access hole must be drilled through the top of the bookcase. Use the diagrams for the location of this hole. Predrill a small hole from the top of the bookcase. Then drill a 5/8" hole from the inside of the bookcase through the top to avoid tear out inside the bookcase .

Hinge Plate #1 on bottom of bookcase



Mount hinge plate #2 to the top of the bookcase. Thread the included setscrew/capscrew into the threaded hole.

Hinge Plate #2 on top of bookcase



Install Bookcase

For an **outswing** door, you will work from the backside of the Invisidoor to put it into place on the lower hinge pin and install the capscrew through the top.

Lift the bookcase into the opening. Set the hinge on the bottom of the bookcase onto the pin of the hinge plate on the threshold. Align the upper hinges and screw the set screw into the hinge plate on the header.

Verify the fit of the trim against the installed Invisidoor. A slight gap between the bookcase and face frame is necessary to allow clearance for the bookcase to swing. Adjust hinges as needed by using slotted holes in hinge plates. Pre-drill holes for remaining screws in each of the hinge plates. The provided 2-1/4" screws will be used to secure hinge plate 4 through the upper jamb into the door header.

Install Support Foot

Mount bracket to the side of bookcase. Bracket must be attached near the face frame to allow enough clearance to swing past the jamb. Align the tapered stop to the location of the bolt when the door is in the closed position, mark the location, fasten it with the supplied tape/and or screw.



Install Trim



Inswing

Inswing:

Trim on both sides and the top of the door are mounted to the wall and serve as a stop for the door. Avoid using trim that has a narrow inside edge as it will not hold up as a stop. A 3/4" thick molding is recommended. It is also recommended that the trim overlay the face frame by 1/2" - 3/4".

A wide variety of trim styles will work for the inswing mounted InvisiDoor. Corner blocks, mitered corners, or built out crowns can all be used without interfering with the function of the door.



Outswing:

Trim on the hinge side of the bookcase and the top will be attached to the wall, but the non-hinged side trim will be attached to the bookcase to act as a stop. It is recommended that the trim overlay the face frame by 3/4" and be mounted very securely to withstand the opening and closing of the door. The trim across the top of the door must be mounted to allow clearance for the door to swing below it. Also, allow clearance for the door-mounted trim to swing freely from the upper piece of trim as well as clear the floor.



Outswing

Finish Bookcase

Remove InvisiDoor from the opening and remove hinge plates from the case. Do a final sanding of project. Apply stain and finish coat of choice according to manufacturer's directions. Reinstall hinges by mounting all screws. Reinstall InvisiDoor into opening and permanently install trim.