



2026 TREX DECKING INSTALLATION GUIDE

Trex Installation Guide
CONTENTS

To learn about Trex® railing products, visit www.trex.com/products/railing

What's New for 2026:

- Page 10 - Added 1 x 4 Transcend® Lineage Profile
- Page 10 - Updated Decking and Fastener SKU's
- Page 11 - Updated Fastener SKU's
- Page 23 - Added U.S. span and gapping requirements
- Page 43 - Updated color palette

Need Help?

Trex® provides a variety of valuable resources to answer your questions or concerns. For additional assistance, check out:

» **Trex.com**

You will find a wealth of useful information on Trex's extensive product lines including: installation, care and cleaning instructions and videos, technical help, and FAQs. You can also find inspiring photos of deck projects, steps to help plan and start your project, and tips for selecting the right deck builder. At www.trex.com, you can request information, register your warranty, and reach out to customer service representatives who can answer even more questions.

- » Call **1-800-BUY-TREX (1-800-289-8739)** and speak to a Customer Loyalty Advocate who can answer your questions.

Refer to www.trex.com for up-to-date installation and technical documents that may not be found in this printed guide.

Installation instructions are always being reviewed for updates. Please visit our website at www.trex.com and choose "Literature", then choose "Installation Guides".

SECTION ONE: General Information

Safety 3
 Tools 3
 Care and Cleaning 4

SECTION TWO: Planning Ahead


Trex® Decking 7
 Installing Trex® Lattice 7
 Railing (Including ADA Handrail) 7
 Trex® DeckLighting 7
 Trex® RainEscape® Drainage System 7
 Installing Hot Tubs, Planters, and Seating 8
 Installing Fireplaces and/or Fire Pits 8
 Installing a Trex® Pergola 8
 Installing Trex® Spiral Stairs 8
 Installing Trex® Outdoor Kitchens 8

SECTION THREE: Decking

Trex Decking 10
 Trex Hideaway® Hidden Fastening System 12
 Decking, Fascia, Plugs and Fastener SKUs 13
 Trex® Branded Approved Fasteners 14
 All Other Approved Fasteners 14
 Trex® Fascia Installation Recommendations 16
 Framing and Fastening Tips 19
 Rooftop and Sleeper Deck Systems 20
 Metal Framing Requirements and Gapping 21
 Code Compliance 22
 Gapping and Overhang 24
 Important Notes Before Installing Trex Decking 25
 Routing Square-Edged Boards for Trex Hideaway Hidden Fasteners 25
 Abutted Board Attachment Requirements 25
 Trex Hideaway® One-Step Hidden Fastener Tool Instructions 26
 Butt Joint Clip Instructions 28
 Installing Trex Signature®, Transcend®, Enhance®, Trex Select® Decking without One-Step Tool 29
 Replacing Decking 30
 Trex Hideaway® Deck Plug For Transcend®, and Trex Select® Decking 31
 Trex Hideaway® Deck Plug For Trex Enhance® Decking 32
 Trex Hideaway® Fascia Plug 33
 Trex® Decking Color-Match Composite Screw 34
 Trex® Fascia Color-Match Composite Screw 35
 Spanning Requirements For Trex Stairs 36
 Installing Trex® Stair Treads
 Installed with Hidden Fasteners 37

SECTION FOUR: Warranties

Trex® Decking, Fascia and Cladding Limited Warranty 39
 Trex® Fasteners Limited Warranty 42
 Color Palette 43

 This symbol indicates text continues to next page.

NOTE: Construction methods are always improving. Please refer to www.trex.com for the most up-to-date installation requirements.

Safety

When working on any construction project, you should wear protective clothing and safety equipment. Wear safety glasses, gloves, a dust mask and long sleeves, particularly when cutting in confined spaces.

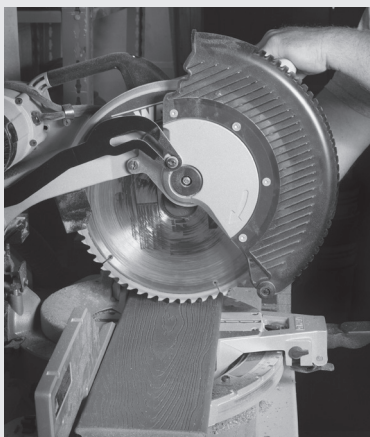
Trex® decking and railing are heavier and more flexible than wood. **DO NOT** try to lift the same quantity of Trex® boards as you would traditional lumber. Go to www.trex.com for Safety Data Sheets (SDS).

Tools

SAWS

Miter Saw:

When using a miter saw we recommend using the Trex Blade™ or a carbide-tipped blade with 60 teeth or more. The Trex Blade™ comes in three different sizes and is ideal for cutting all Trex® composite decking, as well Trex® composite and aluminum railing products. If cutting Trex® steel railing we recommend using an appropriate metal cutting blade.



Jigsaw:

For detailed and/or small cuts (i.e., cutting deck board to fit around a post), a jigsaw with a carbide-tipped blade can be used.



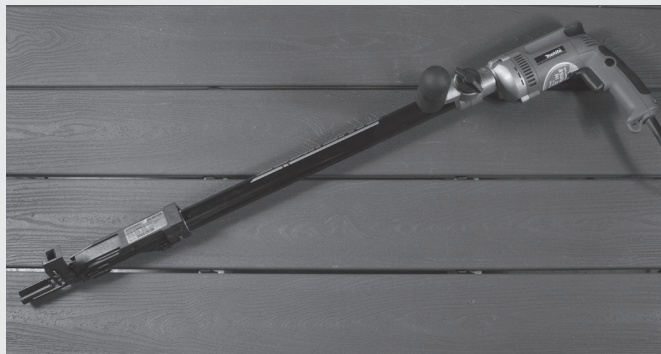
DRILLS

Install Trex® approved fasteners with standard power drills, impact drivers (use care if using impact drivers), or right angle drills.



SPECIFIC DECK BOARD ATTACHMENT TOOLS

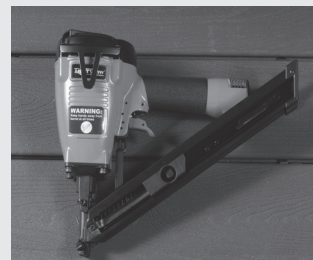
Screw Guns:



Some Trex® approved deck fasteners are compatible with screw guns. Refer to the fasteners page for more information.

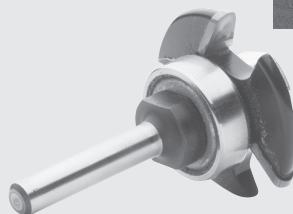
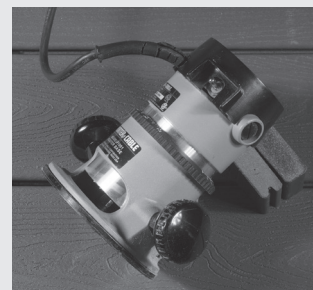
TigerClaw® Pneumatic Gun:

If choosing the TigerClaw TC-G Hidden Fasteners, the TigerClaw pneumatic gun is a terrific option that allows for quicker install time.



Trex® Router Bit:

Trex® decking routs to give extremely crisp edges when using the Trex® Router Bit with standard router, and can be used with all Trex Hideaway® Hidden Fasteners.



*Trex® Blade™ is manufactured and sold by Freud Tools, Inc. under a Trademark License Agreement with Trex Company, Inc.

*Tiger Claw® is a registered trademark of Tiger Claw, Inc.

TREX SIGNATURE®, TRANSCEND®, ENHANCE® AND TREX SELECT® DECKING—Care and Cleaning Guide

All exterior building materials require cleaning. Generally, soap and water is all that is required to clean all Trex Decking products. For Trex Signature® decking, some cleaning agents or chemicals such as solvents, acids, plasticizers, ammonia, alcohols and accelerated hydrogen peroxide (AHP) based disinfectants can damage the surface of Trex Signature® decking. Examples may include insect repellents, sunscreen products, or degreasing cleaning agents. Always refer to manufacturing labels as well as contact Trex® customer care to determine if a specific product is safe to use. Many products will contain warning information regarding damage to plastic and these such products should never be used on Trex Signature® decking. Refer to Trex.com for cleaning recommendations for early generation decking products.

Problem	Solution
Dirt and Debris	The affected area should be sprayed off with a hose to remove surface debris. Use warm soapy water and a soft bristle brush to remove dirt and debris from the embossing pattern.
Using a Pressure Washer (General Cleaning Issues)	A pressure washer with no greater than 3100 psi** that has a fan attachment/adjustment and soap dispenser may be used to remove dirt or mud. Spray deck with soap, then follow by gently scrubbing each deck board with a soft bristle brush. Spray/rinse each individual deck board using a fan tip no closer than 8" (203 mm) from the decking surface. RINSE THOROUGHLY. If dirty water from cleaning is left to dry, a film will remain on the decking surface.
Issues with Concrete, Cement, Mortar, or Stucco Dust	When working with cement, concrete, mortar, or stucco, protect the decking as much as possible in order to not get dust particles on the decking surface. These particles, once they get hot or wet, can cause a reaction on the decking surface and are very difficult to remove. If particles get on the decking surface, Trex® recommends using Sakrete™ Concrete Dissolver (www.sakrete.com/products/concrete-dissolver). BE SURE TO FOLLOW MANUFACTURER'S INSTRUCTIONS.
Hard Water Staining	Hard water is water with high amounts of mineral deposits like lime, silica and calcium. When the water dries, deposits are left behind, leaving unsightly spots on surfaces. This is not a defect of Trex® products but an issue with the water itself. Generally, these deposits can be cleaned with white vinegar on decking surfaces. Rinsing is required, so care should be taken to not use hard water for this purpose. If hard water must be used, dry with a cloth or use a blower to dry surfaces. In some cases a deck brightener product may also be used to help clean hard water stains.
Chalk Lines	Most colored chalks are permanent and may discolor the surface. Use only Irwin Strait-Line Dust-Off Marking Chalk (purple), DeWalt® Blue Chalk, or DeWalt® Orange High Visibility Chalk.
Tannins Due to Debris	Remove all debris from the deck using a hose or broom. Once the deck surface is dry, apply a deck "brightener"* to the deck as directed by the manufacturer. Deck Brighteners contain oxalic acid, which will also remove tannins.
Ice and Snow	A plastic shovel may be used to remove snow from the deck. Use calcium chloride or rock salt to melt the snow and ice from the deck surface.
Oil, Grease, and Food	All food spills should be removed as soon as possible. The surface must be cleaned within seven days to maintain the stain warranty. To remove, spray off with a hose and use warm, soapy water and a soft bristle brush (do not use a wire brush) to remove spills from the embossing pattern.
Mold and Mildew	If debris such as pollen and dirt is allowed to remain on the deck surface, mold can feed on the biofilm. Using a hose and warm, soapy water with a soft bristle brush (do not use a wire brush) is recommended to remove the food source and mold.



TREX SIGNATURE®, TRANSCEND®, ENHANCE® AND TREX SELECT® DECKING-Care and Cleaning Guide

Problem	Solution
Trex and Static Electricity	<p>While this is not common, static electricity can occur on walking surfaces in dry climates or in areas where dry winds and dust-borne particles lay on the decking surfaces. Static electricity can build up on occupants walking across any composite decking surface, including Trex®, then produce a small static shock if they touch a grounded metal surface such as railing, door, etc.</p> <p>This condition can be decreased greatly with the use of a product called ACL Staticide®. Two products tested were General Purpose Staticide® and Heavy Duty Staticide®. Both are effective in greatly reducing static electricity on Trex® decking surfaces. Apply full strength, using a mop on a dry decking surface, and allow to dry; no rinsing or diluting needed. Products are non-toxic, non-flammable, non-staining (will not change the color of decking surface), completely biodegradable, and safe to use. Product is water-based and may require a second application after rain or other weather conditions. Over a period of time, the effect of static will dissipate naturally on the decking surface.</p> <p>See link for more information on product: https://www.aclstaticide.com/categories/anti-static-coatings</p>
Rubber Mats	Use caution when using rubber-backed mats i.e., welcome mats, etc. as these may contain substances that can sometimes discolor or lighten the decking surface.
Curving Trex Decking	There are methods to heat Trex® decking to a high enough temperature to achieve a desired curved radius. Please contact Trex® for additional details. Trex Signature and Trex Enhance® decking cannot be curved.
Material Handling/ Storage	<p>Store decking on a flat level surface and ALWAYS use proper supports (dunnage). DO NOT store directly on the ground. When stacking Trex Signature®, Transcend®, or Trex Select® decking as well as all fascia products, bundles, supports (dunnage) should start approximately 10" (254 mm) from each end (Enhance® decking should start approximately 18" (457 mm) from each end) and be spaced approximately 2' (0.61m) on center. In addition, supports (dunnage) should line up vertically/perpendicular to the decking product. Adjust support blocks (dunnage) accordingly if bundles are loose. For Select® 1 x 6, Enhance® 1 x 6, and all fascia products (1 x 12 & 1 x 8), the maximum stack height is 12 bundles. For Transcend® 1 x 6, and all 2 x 6 and 2 x 4 products, the maximum stack height is 14 bundles. For Transcend® 1 x 4, the maximum stack height is 18 bundles. (IMPORTANT TO NOTE THAT PROPER DUNNAGE SPACING MUST BE IN PLACE FOR THESE HEIGHTS). When stacking multiple bundles, ensure that dunnage lines up vertically down through each stack. ALWAYS cover decking products on site until ready to be installed.</p>

Sakrete™ is a trademark of Oldcastle APG, a CRH Company.

*Use of products containing bleach or acid can lighten the surface of Trex®. Use in an inconspicuous area to determine whether you like the effect. Product will affect the structural integrity of Trex®.

**Use of a pressure washer greater than 3100 psi could damage the boards and void the warranty.

NOTES:

- » Refer to www.trex.com to view a general care and cleaning video for Transcend®, Enhance®, and Select® decking.
- » Refer to www.trex.com for a care and cleaning guide for Trex® Early-Generation Composite and PVC Decking.



PLANNING AHEAD

PLANNING AHEAD

Trex® Decking:

- » When installing ANY Trex® decking product, especially streaked boards, it is a good idea to mix and match all of the boards on the job site prior to installation to ensure an appealing mix of light and dark tones.
- » **DO NOT combine Trex Select® decking with other Trex® decking products.** Trex Select® boards are thinner than Trex Signature®, Transcend®, or Enhance® boards.
- » For added protection to wood framing, use Trex® Protect Joist and Beam Tape on the top of joists, rim joists, and ledger boards to help prevent rot and wood decay. Refer to trexprotect.com for more details.

Trex® many other outdoor surfaces, such as concrete, asphalt, beach sand, wood decking, other brands of composite decking, etc., Trex® decking can get hot due to weather and sun exposure. On such days, care needs to be taken to make sure skin does not have extended contact with the surface of the deck, especially with young children and those with special needs. Please note also that the darker the color, the hotter the deck will feel. For hotter climates, consumers should consider choosing lighter colors or colors that include heat mitigating technology (SunComfortable™).

Trex® Products Near Low-E Window:

Low-E glass reflects more sunlight. It has been observed that the extra reflectivity, combined with any concavity in the glass, can act like a concave mirror. This mirror effect concentrates sunlight onto outdoor objects, including that of decking and railing. This can result in an extreme amount of heat concentrated on areas of the decking surface. This can sometimes char/discard the decking surface or cause the decking to bow.

Installing Trex® Lattice:



- » No special skills or tools are required to install Trex® Lattice. The lattice cuts, drills and routes using standard wood cutting tools. Fastening can be done with stainless steel screws or nails.

Refer to www.trexlattice.com/ for information on how to plan, order and install Trex® Lattice. Trex® Lattice is manufactured and sold by Home & Leisure, Inc., d/b/a/ Structureworks, under a Trademark License Agreement with Trex® Company, Inc. A 20-year Limited Warranty is provided by the manufacturer.

Railing (Including ADA Handrail):

- » Pick the railing style you want.
- » Calculate your spanning based on the railing you choose.
- » Determine the number of balusters you will need based on the railing you choose.
- » All 2026 Trex® railing products are made to be installed at 6' or 8' clear span between posts.

NOTE: For post placement on stairs, it is VERY IMPORTANT to plan your post spacing based on the length of the rail and angle of the stairs. For nominal 6' and 8' stair rail lengths, stair post spans (measured horizontally) will be less than 6' or 8' due to the angle of the stairs.

- » Determine post locations prior to installing any decking. In most cases, posts are usually installed before decking is installed.
- » Confirm with your local building official if ADA Handrail is required, and if so, plan spanning for posts accordingly to allow for attachment of Trex ADA Handrail. ADA Handrail requires a span of 6' OC for posts.
- » Grill placement: A good recommendation to help prevent damage to your railing is to not have a grill too close to your railing. Allow for ample airspace, 18"-30" is recommended – refer to grill manufacturer for additional details between the back/sides of your grill to help prevent charring or staining to the railing.

Refer to www.trex.com to view detailed install instructions for Trex Signature®, Transcend® or Trex Select® railing.

Trex® Outdoor Lighting:

- » Plan locations of lights, power supply, timer, and dimmer. These should be accessible for service if necessary.
- » Install wiring before decking and railing have been installed.
- » **DO NOT** run wires between joists and deck boards.

Refer to www.trex.com to view detailed Trex® lighting instructions.

Trex® RainEscape® Deck Drainage System:

- » Plan ahead for deck layout to allow for proper placement of Trex® RainEscape® within the joist system.
- » Make sure joists are straight and square.

See www.trex.com for more information on Trex® RainEscape® recommendations and installation. Trex® RainEscape® is manufactured and distributed by IBP, LLC, under a trademark license with Trex® Company, Inc.



PLANNING AHEAD/CONTINUED

Installing Hot Tubs, Planters, and Seating:

- » Plan ahead proper joist spanning if required (this is especially important if installing a hot tub).
- » Refer to page 22 for Trex® Decking Span Chart for specific loads.

Call 1-800-BUY-TREX for detailed questions.

Installing Fireplaces and/or Fire Pits With Trex Decking:

- » Determine if fire will be gas or wood burning. (**NOTE:** Most fire pits shown in Trex® images are gas burning.)
- » For gas, the fire pit is installed by cutting around the Trex decking. **It is not to be installed on top of Trex® decking.** A fire-resistant material is installed under the fire pit and a protective wall made from stone or other fire-resistant material is installed to hold fire pit in place and also protect the decking from heat.
- » For wood, fire pits are not recommended directly on top of Trex® decking unless using a protective thermal barrier. Wood-burning fire pits can damage the decking due to extreme heat from the bottom of the fire pit and/or embers shooting onto the decking. Trex® does recommend that this thermal barrier be moved from time to time for general cleaning underneath. It should be noted that even when using a thermal barrier, embers could shoot beyond this and burn the deck. Ensure from the manufacturer that the thermal barrier is compatible with composite decking.

Installing Trex® Spiral Stairs:

- » Refer to www.trexspiralstairs.com for detailed information on how to plan and install Trex Spiral Stairs.

Trex® Spiral Stairs are manufactured and sold by SS Industries dba Paragon Stairs. Trex® is a trademark of Trex® Company, Inc., and is used by SS Industries dba Paragon Stairs under license with Trex Company, Inc.

Installing Trex® Outdoor Kitchens:

- » Refer to trex-outdoorkitchens.com for detailed information on how to install Trex® Outdoor Kitchen products.

Trex® Outdoor Kitchens is manufactured and sold by Danver Acquisitions LLC., under a Trademark Agreement with Trex® Company, Inc. A Limited Warranty is provided by the manufacturer.

Installing a Trex® Pergola on Trex® Decking:

- » Keep in mind that if you are planning to install a Trex® Pergola on your deck, you will need access to the underside of the deck. Trex® Pergola mounts with a 10" x 10" (254 mm x 254 mm) aluminum plate on the underside of the deck, creating a clamping effect on both the top and bottom of the deck for maximum strength. If installed, water barriers and any under deck coverings will have to be removed to properly install the pergola posts.
- » Consider the location of your pergola posts with respect to joists. However, you do not have to mount your plates between joists. It is possible to place blocks on the bottom of the joists and mount the Trex® Pergola brackets through the blocks.



Trex® Pergola products are manufactured and sold by Home & Leisure, Inc., d/b/a/ Structureworks under a Trademark License Agreement with Trex® Company, Inc. A 25-year Limited Warranty is provided by manufacturer.

NOTE: You can always reference the Design Tools Section on www.trex.com for additional planning ahead aids.

DECKING



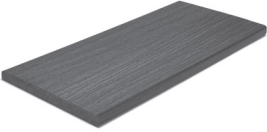
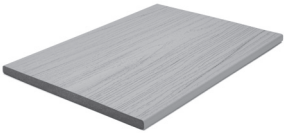
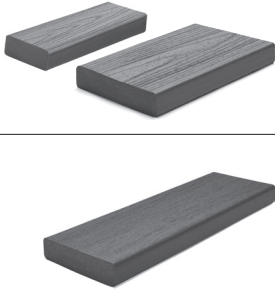
PRODUCT SPECIFICATIONS

TREX® DECKING & FASCIA

PROFILE	DESCRIPTION	ITEM #	COLORS
1" Square-Edge Board <i>Actual dimensions:</i> Trex Signature® 1x6: .94 in x 5.5 in x 16 ft / 20 ft (24 mm x 140 mm x 487 cm / 609 cm)	 1 x 6 x 16' 1 x 6 x 20' Signature	XX010616NS01 XX010620NS01	OC, WY
Trex Transcend® Lineage® 1x4: .94 in x 3.5 in x 16 ft (24 mm x 89 mm x 487 cm)	 1 x 4 x 16' Transcend Lineage	XX010416TLS01	BC, CL, HT, IM, JA, RN, SF
Trex Transcend® Lineage® 1x6: .94 in x 5.5 in x 12 ft / 16 ft / 20 ft (24 mm x 140 mm x 365 cm / 487 cm / 609 cm)	 1 x 6 x 12' 1 x 6 x 16' 1 x 6 x 20' Transcend Lineage	XX010612TLS01 XX010616TLS01 XX010620TLS01	BC, CL, HT, IM, JA, RN, SF
Trex Transcend® 1x6: .94 in x 5.5 in x 16 ft / 20 ft (24 mm x 140 mm x 487 cm / 609 cm)	 1 x 6 x 16' 1 x 6 x 20' Transcend Tropicals	XX010616TS01 XX010620TS01	HG, IM, LR, SR, TT
Trex Select® 7/8x6: .82 in x 5.5 in x 16 ft / 20 ft (20 mm x 140 mm x 487 cm / 609 cm)	 1 x 6 x 16' 1 x 6 x 20' Transcend Earth Tones	XX010616T2S01 XX010620T2S01	RS
Trex Enhance® 1x6: .94 in x 5.5 in x 16 ft / 20 ft (24 mm x 140 mm x 487 cm / 609 cm)	 7/8 x 6 x 12' 7/8 x 6 x 16' 7/8 x 6 x 20' Select	XX010612SS01 XX010616SS01 XX010620SS01	PG, SD
	 7/8 x 6 x 12' 7/8 x 6 x 16' 7/8 x 6 x 20' Select	XX010612S2S01 XX010616S2S01 XX010620S2S01	MY, MS, WL
	 1 x 6 x 16' 1 x 6 x 20' Enhance Naturals	XX010616E2S01 XX010620E2S01	CC, GH, FW, HY, RH, TS
	 1 x 6 x 16' 1 x 6 x 20' Enhance Basics	XX010616E2S01 XX010620E2S01	CS, PB, SD, TP
1" Grooved-Edge Board <i>Actual dimensions:</i> Trex Signature® 1x6: .94 in x 5.5 in x 12 ft / 16 ft / 20 ft (24 mm x 140 mm x 365 cm / 487 cm / 609 cm)	 1 x 6 x 12' 1 x 6 x 16' 1 x 6 x 20' Signature	XX010612NG01 XX010616NG01 XX010620NG01	OC, WY
Trex Transcend® Lineage® 1x6: .94 in x 5.5 in x 12 ft / 16 ft / 20 ft (24 mm x 140 mm x 365 cm / 487 cm / 609 cm)	 1 x 6 x 12' 1 x 6 x 16' 1 x 6 x 20' Transcend Lineage	XX010612TLG01 XX010616TLG01 XX010620TLG01	BC, CL, HT, IM, JA, RN, SF
Trex Transcend® 1x6: .94 in x 5.5 in x 12 ft / 16 ft / 20 ft (24 mm x 140 mm x 365 cm / 487 cm / 609 cm)	 1 x 6 x 12' 1 x 6 x 16' 1 x 6 x 20' Transcend Tropicals	XX010612TG01 XX010616TG01 XX010620TG01	HG, IM, LR, SR, TT
Trex Select® 7/8x6: .82 in x 5.5 in x 12 ft / 16 ft / 20 ft (20 mm x 140 mm x 365 cm / 487 cm / 609 cm)	 1 x 6 x 12' 1 x 6 x 16' 1 x 6 x 20' Transcend Earth Tones	XX010612T2G01 XX010616T2G01 XX010620T2G01	RS
Trex Enhance® 1x6: .94 in x 5.5 in x 12 ft / 16 ft / 20 ft (24 mm x 140 mm x 365 cm / 487 cm / 609 cm)	 7/8 x 6 x 12' 7/8 x 6 x 16' 7/8 x 6 x 20' Select	XX010612SG01 XX010616SG01 XX010620SG01	PG, SD
	 7/8 x 6 x 12' 7/8 x 6 x 16' 7/8 x 6 x 20' Select	XX010612S2G01 XX010616S2G01 XX010620S2G01	MY, MS, WL
	 1 x 6 x 12' 1 x 6 x 16' 1 x 6 x 20' Enhance Naturals	XX010612E2G01 XX010616E2G01 XX010620E2G01	CC, FW, GH, HY, RH, TS
	 1 x 6 x 12' 1 x 6 x 16' 1 x 6 x 20' Enhance Basics	XX010612E2G01 XX010616E2G01 XX010620E2G01	CS, PB, SD, TP

PRODUCT SPECIFICATIONS



TREX® DECKING & FASCIA

PROFILE	DESCRIPTION	ITEM #	COLORS
1" x 8" Fascia Board <i>Actual dimensions:</i> Trex Signature® Trex Transcend® Lineage® Trex Transcend® Trex Select® Trex Enhance® Universal White: .56 in x 7.25 in x 12 ft (14 mm x 184 mm x 365 cm)		1 x 8 x 12'	Signature XX010812NS01 OC, WY
		1 x 8 x 12'	Transcend Lineage XX010812TLS01 BC, CL, HT, IM, JA, RN, SF
		1 x 8 x 12'	Transcend Tropicals XX010812TS01 HG, IM, LR, SR, TT
		1 x 8 x 12'	Transcend Earth Tones XX010812T2S01 RS
		1 x 8 x 12'	Select XX010812SS01 PG, SD
		1 x 8 x 12'	Select XX010812S2S01 MY, MS, WL
		1 x 8 x 12'	Enhance Naturals XX010812E2S01 CC, FW, GH, HY, RH, TS
		1 x 8 x 12'	Enhance Basics XX010812E2S01 CS, PB, SD, TP
		1 x 8 x 12'	Universal White WW010812ES01 WW
		1" x 12" Fascia Board <i>Actual dimensions:</i> Trex Signature® Trex Transcend® Lineage® Trex Transcend® Trex Select® Trex Enhance® Universal White: .56 in x 11.375 in x 12 ft (14 mm x 288 mm x 365 cm)	
1 x 12 x 12'	Transcend Lineage XX011212TLS01 BC, CL, HT, IM, JA, RN, SF		
1 x 12 x 12'	Transcend Tropicals XX011212TS01 HG, IM, LR, SR, TT		
1 x 12 x 12'	Transcend Earth Tones XX011212T2S01 RS		
1 x 12 x 12'	Select XX011212SS01 PG, SD		
1 x 12 x 12'	Select XX011212S2S01 MY, MS, WL		
1 x 12 x 12'	Enhance Naturals XX011212E2S01 CC, FW, GH, HY, RH, TS		
1 x 12 x 12'	Enhance Basics XX011212E2S01 CS, PB, SD, TP		
1 x 12 x 12'	Universal White WW011212ES01 WW		
2" Square-Edge Board <i>Actual dimensions:</i> Trex Transcend® Tropicals 2x4: 1.3 in x 3.4 in x 16 ft (33 mm x 86 mm x 487 cm) Trex Transcend® Tropicals: 1.3 in x 5.5 in x 12 ft / 16 ft / 20 ft (33 mm x 140 mm x 365 cm / 487 cm / 609 cm) Trex Select® 2x6: 1.3 in x 5.5 in x 12 ft / 16 ft / 20 ft (33 mm x 140 mm x 365 cm / 487 cm / 609 cm)			
		2 x 6 x 12'	Transcend Tropicals XX020612TS01 HG, IM, LR, SR, TT
		2 x 6 x 16'	
		2 x 6 x 20'	
		2 x 6 x 12'	Select XX020612SS01 PG, SD
		2 x 6 x 16'	
		2 x 6 x 20'	
		2 x 6 x 12'	Select XX020612S2S01 MY, MS, WL
		2 x 6 x 16'	
		2 x 6 x 20'	




XX = COLOR PREFIX


BC Biscayne	FW Foggy Wharf	IM Island Mist	MS Millstone	RN Rainier	SF Salt Flat	TS Toasted Sand
CL Carmel	GH Golden Hour	JA Jasper	OC Ocracoke	RH Rocky Harbor	SR Spiced Rum	WW Universal White
CC Cinnamon Cove	HT Hatteras	LR Lava Rock	PB Pebble Beach	RS Rope Swing	TP Tide Pool	WY Whidbey
CS Clam Shell	HG Havana Gold	MY MalTED Barley	PG Pebble Grey	SD Saddle	TT Tiki Torch	WL Whiskey Barrel
	HY Honey Grove	MV Martis Valley	PR Point Reyes			



TREX® FASTENERS

COMPONENT	75 CT. ITEM #	350 CT. ITEM #	1400 CT. ITEM #	COLORS	COMPONENT	ITEM #	COLORS		
Trex Color-Match Deck Screws » #10 x 2.5" (6.35 cm) » 75 ct. box, 350 ct. box, 1,400 ct. tub » HexStix® bits included		TCM25BC75	TCM25BC350	TCM25BC1400	BC	Trex Color-Match Fascia Screws » 1-3/4" (4.4 cm) » 75 ct. box » Tools sold separately		TCMF175BC75	BC
		TCM25BD75	TCM25BD350	TCM25BD1400	BD			TCMF175BD75	BD
		TCM25CL75	TCM25CL350	TCM25CL1400	CL			TCMF175CL75	CL
		TCM25CS75	TCM25CS350	TCM25CS1400	CS			TCMF175CS75	CS
		TCM25FW75	TCM25FW350	TCM25FW1400	FW			TCMF175FW75	FW
		TCM25HY75	TCM25HY350	TCM25HY1400	HY			TCMF175HY75	HY
		TCM25IM75	TCM25IM350	TCM25IM1400	IM			TCMF175IM75	IM
		TCM25LR75	TCM25LR350	TCM25LR1400	LR			TCMF175LR75	LR
		TCM25PG75	TCM25PG350	TCM25PG1400	PG			TCMF175PG75	PG
		TCM25RH75	TCM25RH350	TCM25RH1400	RH			TCMF175RH75	RH
		TCM25SD75	TCM25SD350	TCM25SD1400	SD			TCMF175SD75	SD
		TCM25SF75	TCM25SF350	TCM25SF1400	SF			TCMF175SF75	SF
		TCM25SR75	TCM25SR350	TCM25SR1400	SR			TCMF175SR75	SR
		TCM25TP75	TCM25TP350	TCM25TP1400	TP			TCMF175TP75	TP
		TCM25TS75	TCM25TS350	TCM25TS1400	TS			TCMF175TS75	TS
		TCM25TT75	TCM25TT350	TCM25TT1400	TT			TCMF175TT75	TT
									TCMF175WW75

XX = COLOR PREFIX BC Biscayne BD Beach Dune/CL Rope Swing/ Jasper CB Coastal Bluff JM Malted Barley (MY) CS Clam Shell FW Foggy Wharf/ Rainier HY Honey Grove IM Island Mist/ Millstone (MS) LR Lava Rock PG Pebble Grey/ Whidbey RH Rocky Harbor SD Saddle/Ocracoke/ Hatteras SF Salt Flat SR Spiced Rum/ Cinnamon Cove/ Whiskey Barrel (WL) TP Tide Pool TS Toasted Sand/ Havana Gold TT Tiki Torch WW Woodgrain White




COMPONENT	ITEM #	COMPONENT	ITEM #	COMPONENT	ITEM #
Trex Decking Plug Screws » #10 x 2.5" (6.35 cm) » 75 ct. box, 350 ct. tub » Includes depth setters, black		Trex Enhance® Decking Plug Screws » 2" (5.0 cm) » 75 ct. box, 400 ct. tub, black » Tools sold separately		Trex Plug System Fascia Screws » 1-3/4" (4.4 cm) » 75 ct. box, black » Tools sold separately	

COMPONENT	80 CT. ITEM #	COLORS	416 CT. ITEM #	COLORS
Trex Enhance® Decking/Fascia Plugs » 80 ct., 416 ct.		TPSDFBD80	TPSDFBD416	BD
		TPSDFCB80	TPSDFCB416	CB
		TPSDFCC80	TPSDFCC416	CC
		TPSDFCS80	TPSDFCS416	CS
		TPSDFFW80	TPSDFFW416	FW
		TPSDFGH80	TPSDFGH416	GH
		TPSDFHY80	TPSDFHY416	HY
		TPSDFPB80	TPSDFPB416	PB
		TPSDFRH80	TPSDFRH416	RH
		TPSDFSDEN80	TPSDFSDEN416	SDEN
		TPSDFTS80	TPSDFTS416	TS
		TPSDFTP80	TPSDFTP416	TP



COMPONENT	80 CT. ITEM #	COLORS	400 CT. ITEM #	COLORS	COMPONENT	80 CT. ITEM #	COLORS	
Trex Decking Plugs » 80 ct., 400 ct.		TDPLGBC80	TDPLGBC400	BC	Trex Fascia Plugs » 80 ct.		TPSFBC80	BC
		TDPLGCL80	TDPLGCL400	CL			TPSFCL80	CL
		TDPLGHG80	TDPLGHG400	HG			TPSFHG80	HG
		TDPLGHT80	TDPLGHT400	HT			TPSFHT80	HT
		TDPLGIM80	TDPLGIM400	IM			TPSFIM80	IM
		TDPLGIML80	TDPLGIML400	IML			TPSFIML80	IML
		TDPLGJA80	TDPLGJA400	JA			TPSFJA80	JA
		TDPLGLR80	TDPLGLR400	LR			TPSFLR80	LR
		TDPLGMS80	TDPLGMS400	MS			TPSFMS80	MS
		TDPLGMV80	TDPLGMV400	MV			TPSFMY80	MY
		TDPLGMY80	TDPLGMY400	MY			TPSFPG80	PG
		TDPLGPG80	TDPLGPG400	PG			TPSFRN80	RN
		TDPLGPR80	TDPLGPR400	PR			TPSFRS80	RS
		TDPLGRN80	TDPLGRN400	RN			TPSFDSL80	SDSL
		TDPLGRS80	TDPLGRS400	RS			TPSFSF80	SF
		TDPLGSD80	TDPLGSD400	SD			TPSFSR80	SR
		TDPLGSF80	TDPLGSF400	SF			TPSFJT80	TT
		TDPLGSR80	TDPLGSR400	SR			TPSFWL80	WL
		TDPLGTT80	TDPLGTT400	TT			TPSFWW80	WW
		TDPLGWL80	TDPLGWL400	WL				

XX = COLOR PREFIX BC Biscayne/ Martis Valley BD Beach Dune/ Golden Hour CL Carmel GH Golden Hour IM Island Mist/ Point Reyes IML Island Mist Lineage JA Jasper LR Lava Rock MS Millstone MV Martis Valley PG Pebble Grey/ Pebble Beach PR Point Reyes RS Rope Swing SD Saddle SDSL Saddle Select SF Salt Flat SR Spiced Rum TT Tiki Torch WL Whiskey Barrel WW Woodgrain White




UNIVERSAL FASTENERS

COMPONENT	ITEM #
Universal Fastener » Glass-filled nylon 	UNIVCONCLIP (50 sq. ft. box) DA00002 (500 sq. ft. bucket)
Universal Starter Clip » 400 sq. ft. (37 sq. m.) bag 	UNIVSTARTCLIP
Butt Joint Clip » 14/pk. 	BJC14PK
Groove Router Bit 	ROUTBIT
Universal Fastener Installation Tool 	ONESTEPTL



ELEVATIONS FASTENERS

COMPONENT	ITEM #
Elevations Connector Clip » Covers 50 sq. ft. of decking, 1,440 clips 	ELVUNIVCLIP
Elevations Connector Clip » 500 sq. ft. bucket, 900 clips 	ELVUNIVCLIPPAIL

DECKING/FASCIA SYSTEM TOOLS

COMPONENT	ITEM #
Trex Color-Match Fascia Counterbore Tool Kit » w/ Drive Bits 	TCMFCBKIT
Trex Plug System Fascia Counterbore Tool Kit » w/ Depth Setters 	TPSFCBKIT
Trex Plug System Enhance Decking Tool Kit » w/ Depth Setters 	TPSENDCBKIT

DECKING TOOLS

COMPONENT	ITEM #
HexStix Bit » 2-pk 	THB2PK
Decking Depth Setter » 1-pk 	TDDS1PK

TREX BRANDED RECOMMENDED FASTENERS

If any condition occurs which is attributable to the use of non-recommended or non-approved fasteners, such condition shall not be covered under the Trex Limited Warranty.

		Signature®	Transcend®	Enhance®	Select®
RECOMMENDED FASTENERS	DECKING-HIDDEN FASTENERS				
	Trex Hideaway® Universal Hidden Fastener	X	X	X	X
	Trex Hideaway® Deck Plug* *Ensure to use correct Trex Hideaway plug system for designated Trex® Decking Profile		X	X	X
	DECKING-COMPOSITE SCREWS				
	Trex Hideaway® Color Match Decking Composite Screw	X	X	X	X

		Signature®	Transcend®	Enhance®	Select®
RECOMMENDED FASTENERS	FASCIA**				
	Trex Hideaway® Fascia Plug* *Ensure to use correct Trex® Hideaway plug system for designated Trex® Fascia Profile		X	X	X
	Trex Hideaway® Color Match Fascia Composite Screw	X	X	X	X

OTHER APPROVED FASTENERS

If any condition occurs which is attributable to the use of non-recommended or non-approved fasteners, such condition shall not be covered under the Trex Limited Warranty.

		Signature®	Transcend®	Enhance®	Select®
OTHER APPROVED FASTENERS	DECKING-HIDDEN FASTENERS				
	Tiger Claw® TC-G Hidden Fastener	X	X	X	X
	Cortex® Concealed Fasteners**	X	X		X
	Starborn® Pro Plug® System for Composite Epoxy Coated & Stainless (2" are recommended for sleeper & roof top applications only)	X	X		X
	Simpson Strong-Tie® Deck Drive™ DCU Composite Screw & DCU Plugs (Handdrive only & must also use Auto-Set Drive Bit)		X		X
	DECKING-COMPOSITE SCREWS				
	FastenMaster® TrapEase 3 Ultimate Composite Deck Screw	X	X	X	X
	Simpson Strong-Tie® Deck Drive™ DCU Composite Screw (Collated & Handdrive)	X	X	X	X
	Quik Drive® Composi-Lok Deck Screw		X	X	X
	SplitStop™ Titan III Composite Screw		X	X	X
Starborn® Cap-Tor® xd Epoxy Coated & Stainless (2" are approved for sleeper & roof top applications only)	X	X	X	X	
Screw Products C-Deck Exterior Star Drive Composite Deck Screw	X	X	X	X	

		Signature®	Transcend®	Enhance®	Select®
OTHER APPROVED FASTENERS	FASCIA**				
	Cortex® Hidden Fastening System for Fascia		X	X	X
	Starborn® Pro Plug® System for Fascia - Epoxy & Stainless		X	X	X
	Starborn® Deckfast® Fascia System - Epoxy Coated* and Headcote® Stainless	X	X	X	X
	SplitStop™ Fascia Screws		X	X	X
	Simpson Strong-Tie® Fascia Board Screw		X	X	X
FastenMaster® TrapEase® Fascia Fastener	X	X	X	X	

IMPORTANT ADDITIONAL INFORMATION

- OR TREX ENHANCE[®] PROFILES, THE ONLY TREX[®] RECOMMENDED PLUG BASED HIDDEN FASTENERS ARE TREX[®] HIDEAWAY DECK PLUGS; DO NOT USE ANY OTHER PLUG BASED HIDDEN FASTENERS WITH TREX ENHANCE PROFILES
- Trex[®] requires the use of two screws per joist.

OTHER NOTES:

- » All recommended or approved color-matching face fastener screws are designed to be installed flush with decking surface. **DO NOT** countersink screws.
- » Use recommended or approved stainless steel screws in any areas near bodies of saltwater.
- » 2-3/4" or 3" screws can be used with Trex[®] 2 x 6 product.
- » 2-1/2" that are supplied with **plug-based fasteners** are allowed to be used with Trex 2 x 6 product.
- » All decking products are recommended for use with Trex Hideaway[®] Hidden Fasteners, thus all decking products can be routed according to our instructions.
- » Simpson Strong-Tie Deck Drive DCU Composite Screw in collated versions works with Quik Drive gun.
- » Fascia system screws listed above **can only be used with composite fascia profiles**, and cannot be used with standard thickness decking boards used as fascia. Use stainless steel screws near water applications.
- ** Not for use with sleeper systems. Refer to FastenMaster[®] literature for more information.

Minimum Fastener Size		
	SCREWS	
Profile	Length	No.
1 x 6 / 1 x 4	2-1/2" or 2-3/4"	#8, #10
2 x 6	2-3/4" or 3"	#8, #10

FastenMaster[®] TrapEase[®] and Cortex[®] are registered trademarks of OMG, Inc.

Strong-Tie Quik Drive[®] is a registered trademark and Composi-Lok™ is a trademark of Simpson Strong-Tie Company, Inc.

Starborn DeckFast[®] Cap-Tor[®], Pro Plug[®], and Headcote[®] are registered trademarks of Starborn Industries Inc.

C-Deck Exterior Star Deck Composite Deck Screw is a product of Screw Products Inc.

SplitStop™ is a trademark of Titan Metal Werks, LLC.

Kameleon is a trademark and GRKFasteners[®] is a registered trademark of Illinois Tool Works, Inc.

TREX FASCIA INSTALLATION RECOMMENDATIONS

General Notes:

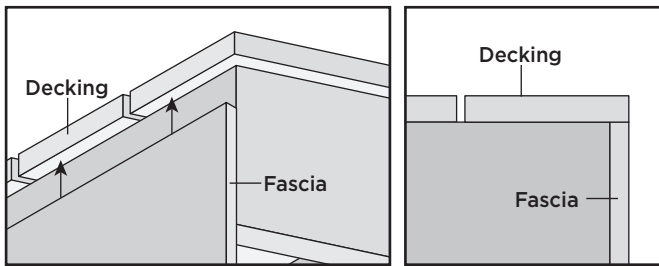
- » *Trex Fascia utilized around the perimeter of a deck must be gapped with the same requirements as Trex decking to allow for expansion/contraction of the fascia.*
- » *When using 2 x 8 framing, attach fascia using two fascia recommended fasteners; when using 2 x 10 or larger framing, attach fascia using three fascia recommended fasteners. Top screw should be placed 1" from the top of the rim joist, the second screw in the center of the rim joist, and the third screw 1" from the bottom of the rim joist.*
- » *Refer to page 12-13 for fascia recommended fascia fasteners.*

WHEN USING RECOMMENDED FASCIA FASTENERS:

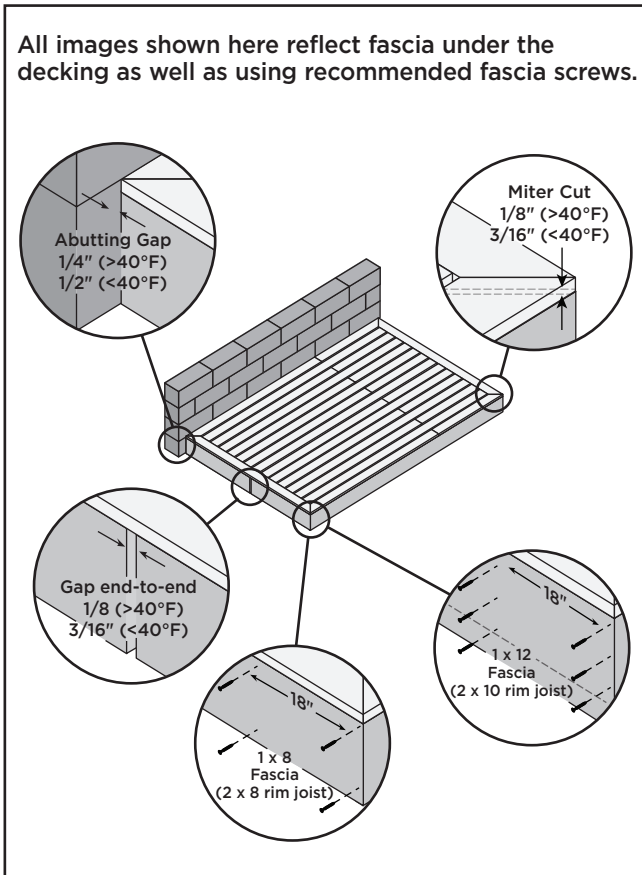
- » Recommended fascia fasteners can only be used with 1 x 8 or 1 x 12 fascia product and cannot be used with decking products that are being used as fascia trim or stair risers.

Method 1: Fascia Under Decking

(Note: reflects 2 x 8 fascia installation & square-edge decking).



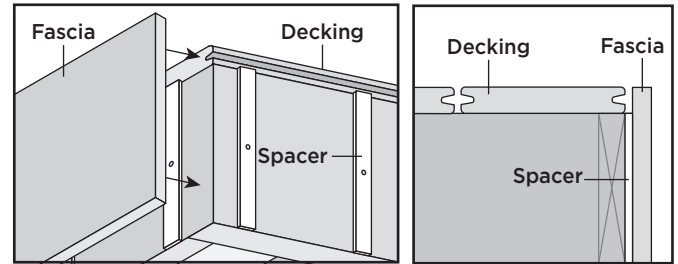
Install fascia **UNDER** decking edges/ends. This will optimize the aesthetics and performance of the installation.



Method 2: Fascia Beside Decking

(Note: spacers below reflect 2 x 8 fascia installation)

When using this method, attachment of spacers to framing may vary depending on the fascia size. If installing 1 x 12 fascia use two screws spaced properly apart so as to not interfere when installing fascia screws.



Install 3/16" to 1/4" thick x minimum 1" wide exterior grade spacers (these should be cut the same length as the rim joist), and spaced 9" on center. Install fascia screws as stated below at spacer locations (ensure that spacer screw does not interfere with fascia screw).

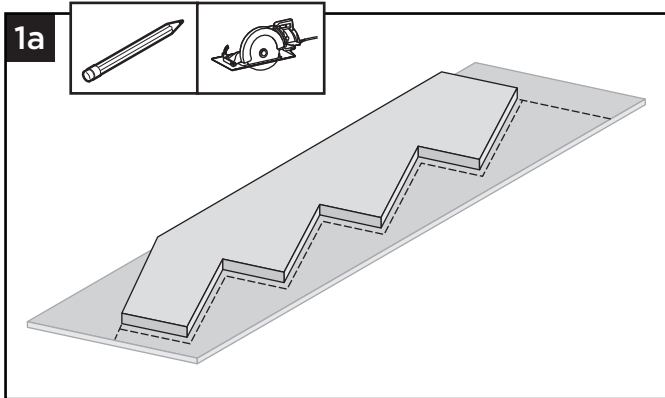
TIP: Prior to installing spacers, paint ends black so as these are not as visible (especially when using contrasting colors).

TREX FASCIA INSTALLATION RECOMMENDATIONS

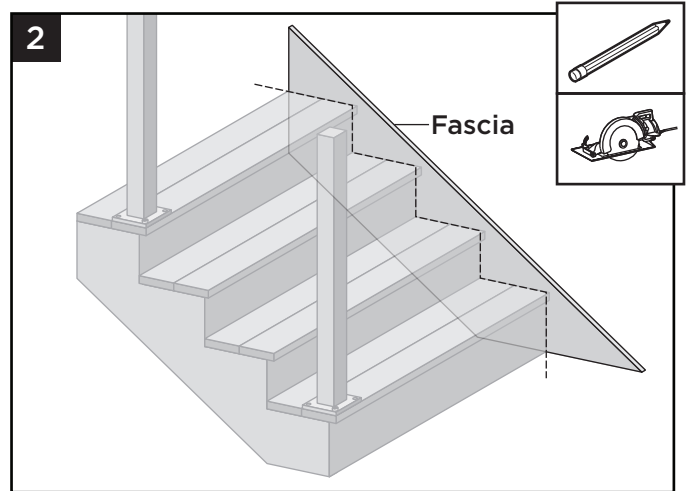
Using Fascia to Box in Stairs

Cutting Fascia

Method 1: Stair Stringer as Template

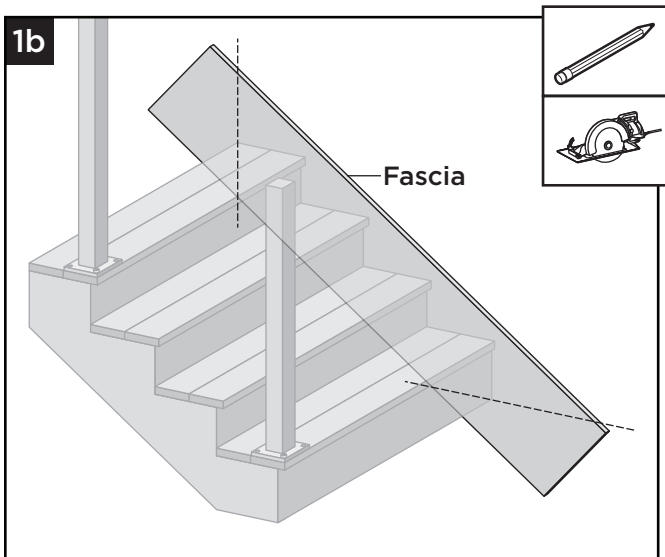


1a. Using a stair stringer as a template, lay this on the fascia and trace out pattern for stair stringer, ensuring you also factor in stair tread/deck board thickness and riser thickness before cutting. This option is shown above. Proceed to step 3.



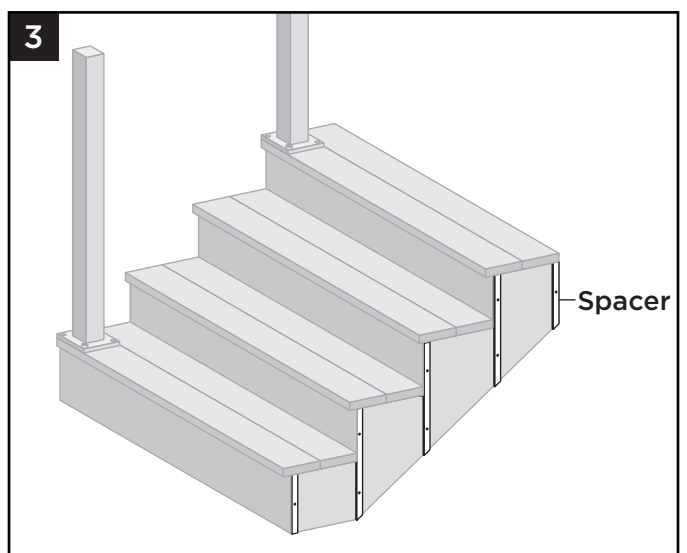
2b. Once completed place fascia in proper location and trace around stair treads and risers and then cut to fit.

Method 2: Fascia Beside Decking



1b. Another option is cutting fascia plumb to the rim joist at the top and flush at the bottom of the stairs as shown.

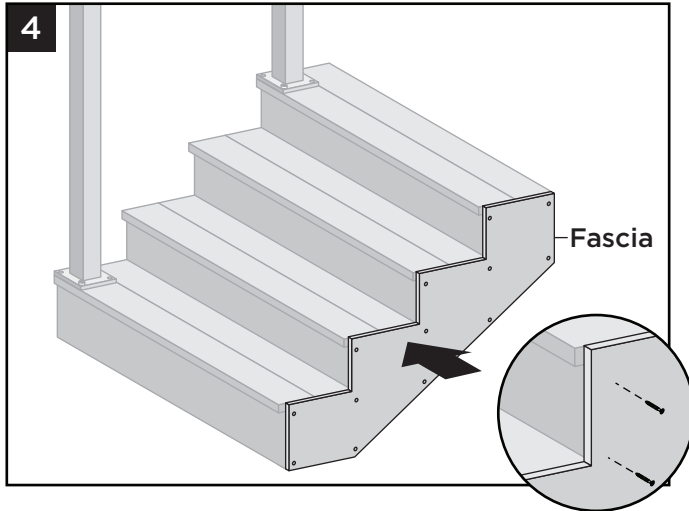
Installing Fascia To Stringers



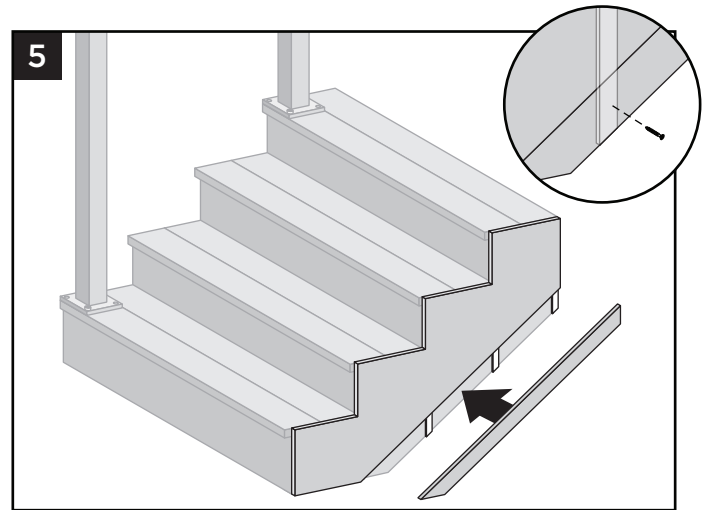
3. Spacers should be installed like that of standard decking, ensuring these are spaced 9" apart (see previous page for detailed information on all requirements for spacers).

TREX FASCIA INSTALLATION RECOMMENDATIONS

Using Fascia to Box in Stairs/CONTINUED



4. Install appropriate number of recommended fasteners as per pattern shown above, as overall size of fascia after being cut may be smaller than that of the standard size, thus the number of screws used every 18" may be different in different areas. Ensure screws are installed 1" from edge of stringer (do not install screws in the end of the stair tread).



5. If the fascia is not wide enough to cover the stair stringer, a secondary piece of fascia may need to be cut accordingly and installed. Install using one recommended fascia fastener on or near the spacer.

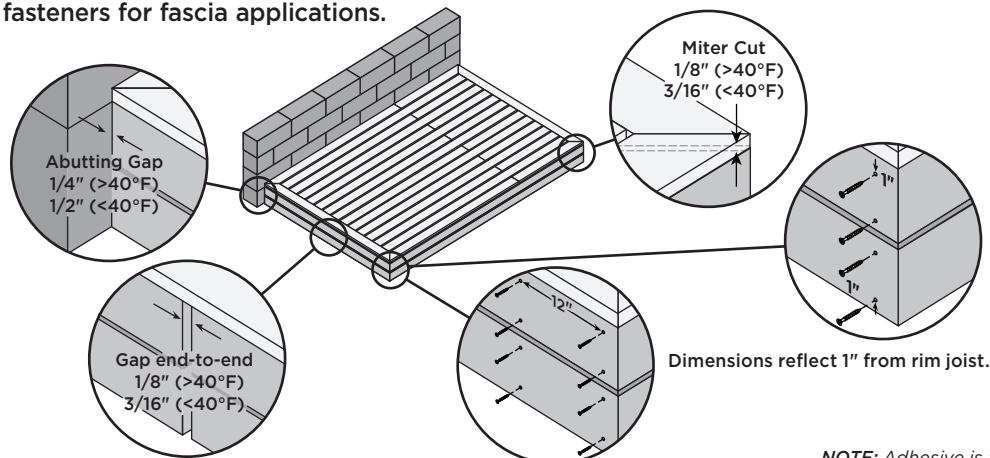
WHEN USING DECK BOARDS AND COMPOSITE DECKING FASTENERS FOR FASCIA

While Trex® prefers the previous methods of attachment for fascia applications, as these are the very best options, there are also other recommendations that can be followed for deck boards being used for fascia. Use two Trex® recommended composite decking screws every 12". **NOTE THAT FASCIA FASTENERS CANNOT BE USED IN THIS APPLICATION. IN ADDITION ALWAYS refer to manufacturer instructions to ensure that recommended screws can be used for fascia applications.** The top screw should be placed 1" from the top of the **rim joist**, and the second screw 1" from the bottom of the **rim joist**.

****IN ADDITION**, also use a weather-resistant, construction-grade adhesive (adhesives that work with wood will work with Trex® products) as a **SECONDARY** fastener when attaching deck boards used for fascia. **Remember to wipe away any excess before it dries or is allowed to drip onto other Trex surfaces.**



All images shown here reflect deck boards used for fascia applications, and using recommended composite fasteners for fascia applications.



NOTE: Adhesive is also required as stated within instructions.

NOTE: English measurements are shown. Convert to metric measurements if necessary.

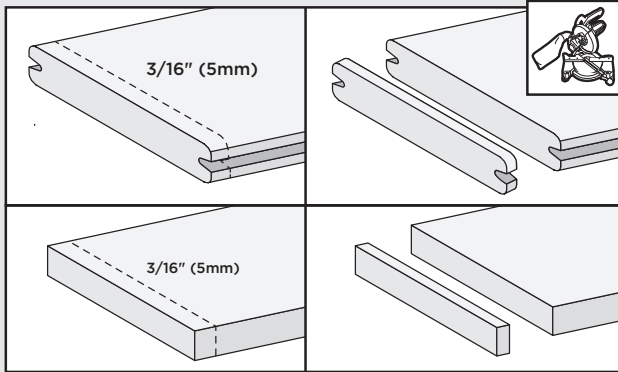
Framing and Fastening Tips

Fastening Tip for Trex® Decking

NOTE: When using pneumatic or battery-operated equipment, adjust the pressure so that you only shoot the head of the screw to be flush with the board's cap. **DO NOT** shoot the fastener head completely through the shell.

The end of Trex® decking **MUST ALWAYS** rest and be installed on a framing member. Maximum 3/4" overhang of decking is allowed.

Clean Cut Boards



It is required that boards be clean cut on both ends a minimum of 3/16" (5mm). Ensure board ends are cut square.

Composite decking is a great alternative to traditional wood decking. When building your deck and railing, it is recommended that code-approved structural material be used as the framing and joists. Check your local building codes for restrictions. Trex® decking cannot be used for structural applications. **Do not attach Trex® decking directly to any solid surface or watertight system.**

Dock Applications

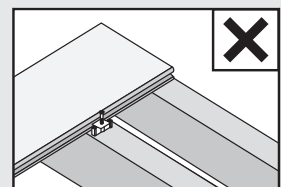
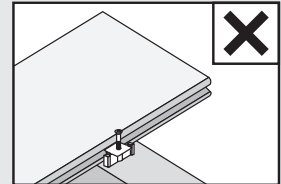
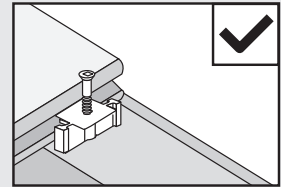
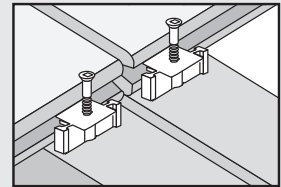
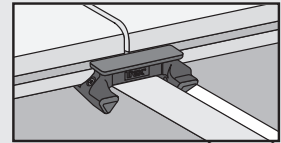
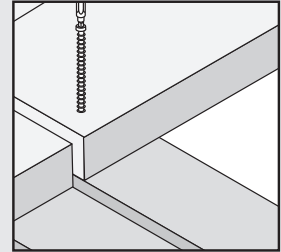
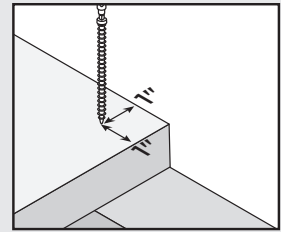
Trex® decking is approved for all water-contact applications. Boards can be submerged in water for extended periods of time, including multiple times a day with rising tides. Stainless steel fasteners should be used. In addition, if there is a great deal of contact between the dock and gasoline, grounding of the dock is also recommended.

In most cases, install fasteners at a 90° angle (perpendicular to the board).

At board ends on the deck's edge, you can install screws placed perpendicularly at the recommended distance, at minimum of 1" (25mm) from the board end and edge, without splitting the board.

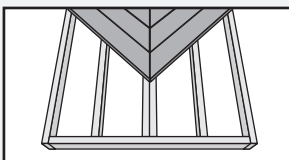
For butt joints, where boards meet over a single joist, use the Trex Hideaway® Butt Joint Clip. Optional method is to add a 2 x 4 "nailer" board at the joist and use two Trex Hideaway® Universal Hidden Fasteners. This allows screw-in at 90° and allows fasteners to be used at end of each board.

When using Trex Hideaway® Universal Hidden Fasteners, ensure that these fasteners are **ALWAYS** placed at board ends. The end of the deck board **MUST ALWAYS** rest on a framing member and fastener must be used in this location.

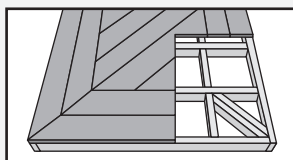


Special Patterns

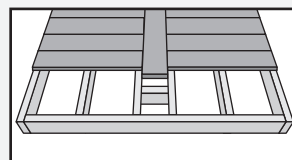
When planning a unique pattern, you will need to adjust the framing to support the surface pattern. Many decks are designed to take advantage of angles, as shown below.



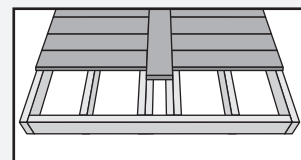
Herringbone Pattern



Picture Frame Pattern



Breaker Board Single Joist



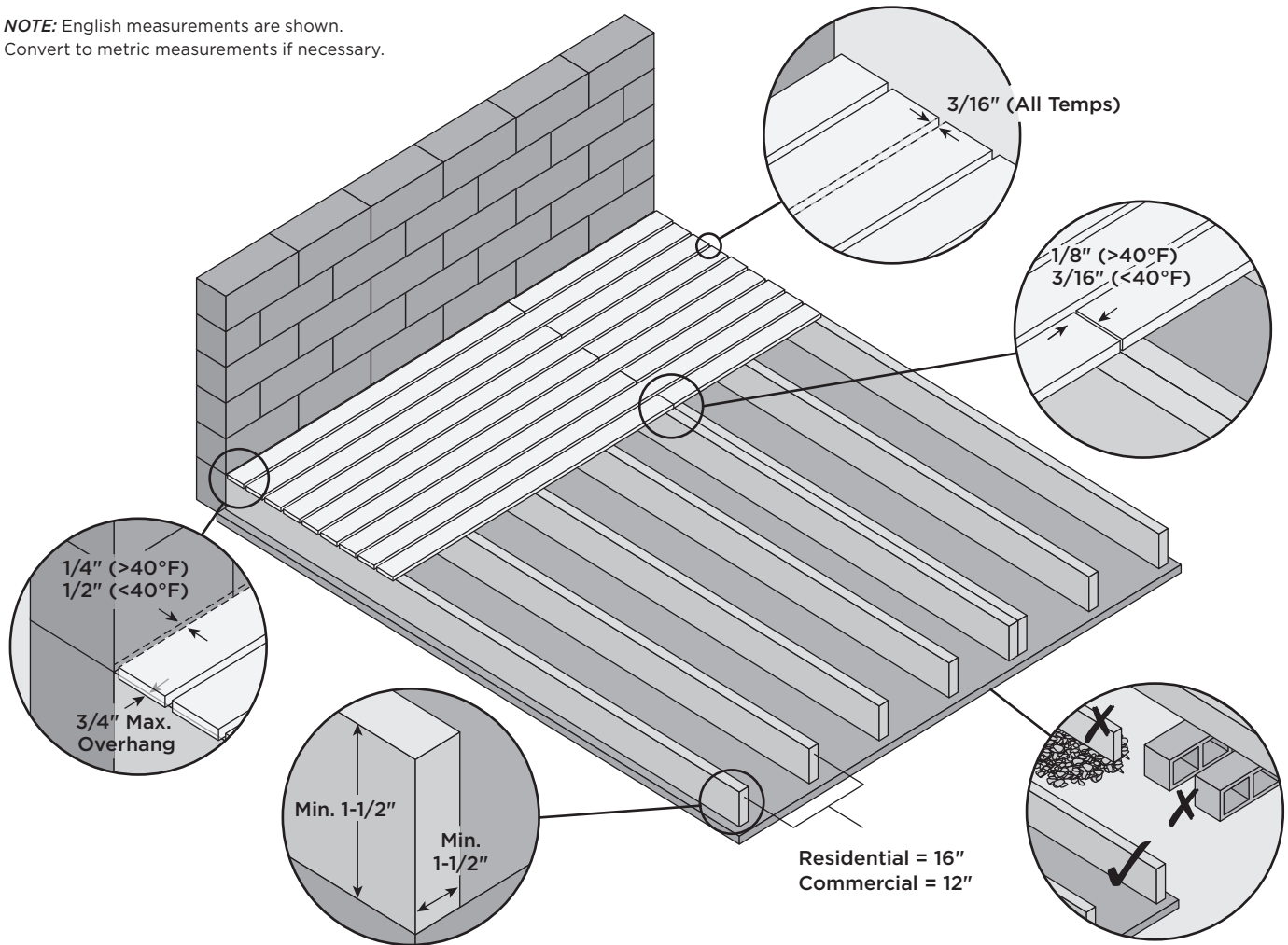
Breaker Board Double Joist

NOTE: Trex® 1 x 4 decking is not recommended for overhang applications when running parallel to framing or when installing special patterns.

Rooftop and Sleeper Deck Systems - Pressure-Treated Framing

A sleeper system is a substructure between a solid surface and Trex® decking. Drainage, access, and airflow are critical. Water must be able to flow through and away from the deck. For repairs and removal of debris, joist system access may be necessary.

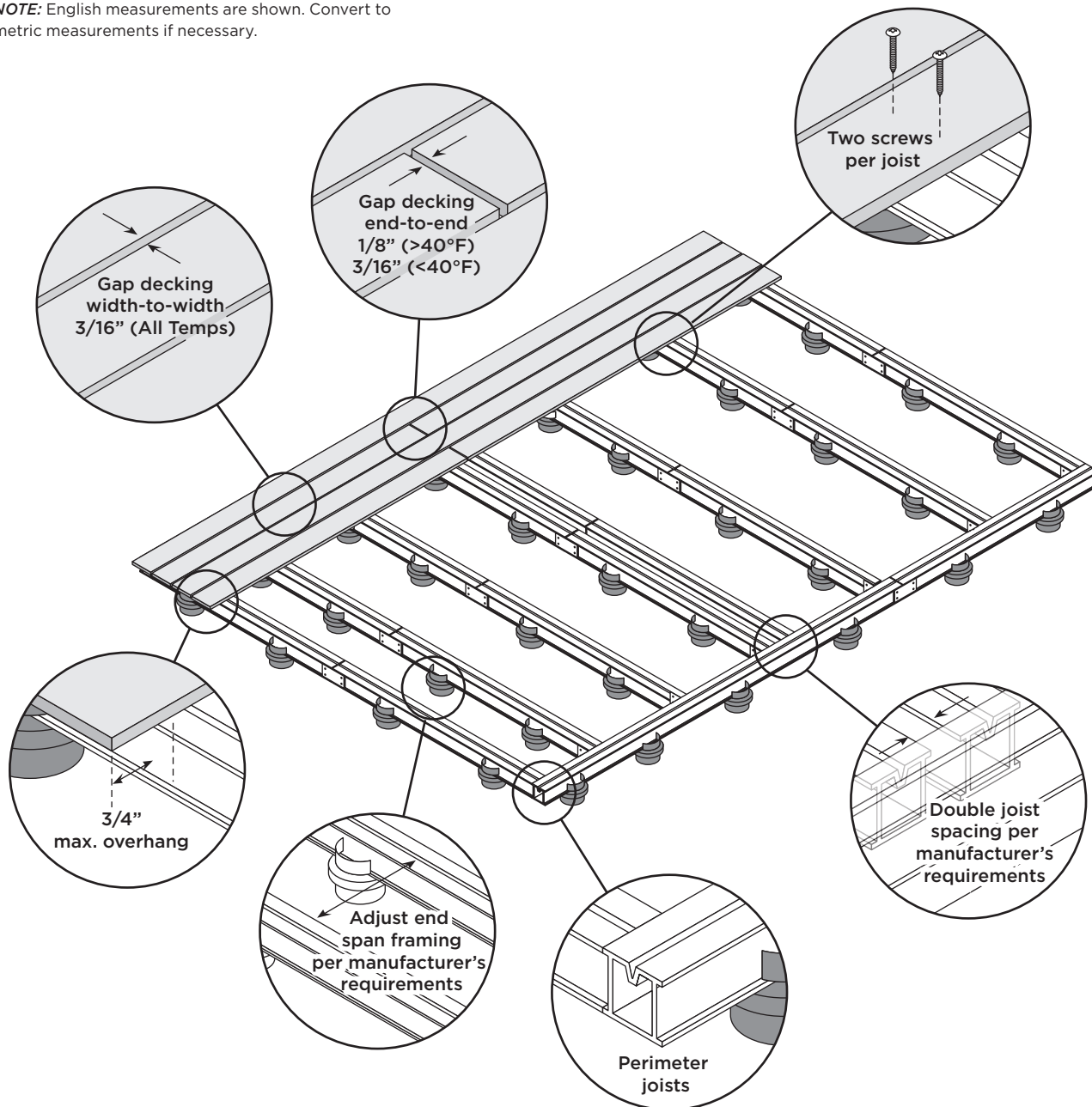
NOTE: English measurements are shown.
Convert to metric measurements if necessary.



- » It is recommended that building-code approved structural material be used as the supports.
- » This system should not be allowed to float. It must be attached in a manner that secures the framing/system.
- » The sleeper system must be level and have no uneven undulations. Any uneven areas of the substructure will transfer to the Trex decking, resulting in uneven decking.
- » Trex®, when used with a sleeper system, must be supported below its entire length. If using in a roofing application, the supports must run the direction of the pitch of the roof to facilitate proper drainage. Sleeper should be placed perpendicular to the deck board orientation.
- » For commercial applications, consult a local building code official for specific requirements.
- » If installing decking at an angle, decrease spans 4" (100 mm) for each of the above. (12" (305 mm) for residential and 8" (204 mm) for commercial.)
- » For sleeper systems where small debris (pine needles, leaves, sand, dirt) can accumulate either between or under deck boards, a minimum of 1-1/2" (38mm) height is allowable. Trex recommends the use of Trex® Universal Hidden Fasteners. Trex also approves the use of 2" Starborn Cap-Tor® xd - Epoxy Coated screws.
- NOTE:** Trex® recommended composite decking screws are too long when using 1-1/2" (38 mm) height as this will penetrate through the sleeper.
- » For areas with the potential for debris buildup, a minimum 3-1/2" (89 mm) or greater height is recommended to allow the debris to be removed along with the use of either Trex® Universal Hidden fasteners or any Trex® recommended or approved screws.
- » **Always** consult your local building code authority for proper details on roof and railing installation to the roof structure if required.
- » Any deviation from these recommendations could result in voiding of the Trex® warranty.

Metal Framing Requirements and Gapping

NOTE: English measurements are shown. Convert to metric measurements if necessary.



NOTES:

- » When using a metal framing system follow manufacturer's instructions for proper installation.
- » When using screws to attach decking to framing, use two screws per every joist.

Compatible Fastener Materials for use with Trex decking

Substrate Material	Carbon Steel with Corrosion-Resistant Coating	Stainless Steel: 410 Series or 1.4003 / 1.4006	Stainless Steel: 300 Series or 1.4301 / 1.4401 / 1.4567
Steel	No	Yes*	No

*Trex® Elevations Universal Hidden Fastener (SKU-ELVUNICLIP) are recommended.

- » If using a fastener that is material compatible with substrate but is not listed as a recommended Trex fastener, the decking material will need to be predrilled before use.
- » If any condition occurs which is attributable to the use of non-recommended or non-approved fasteners, such condition shall not be covered under the Trex® Limited Warranty.

NOTE: Construction methods are always improving. Please refer to www.trex.com for the most up-to-date installation requirements.

Code Compliance

Joist Spanning for Decking

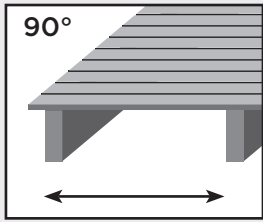
Trex® decking meets all applicable national model building codes. The joists must be spaced on center according to the chart below. Be sure that joists are level and plumb. Trex® decking must span at least three joists. **For heavy items such as hot tubs, planters, etc., consult a local building engineer or inspector for span recommendations.**

Code Listings

Trex® complies with major model building codes and has been evaluated by the International Code Council evaluation service.

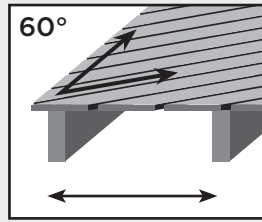
For a Safety Data Sheets (SDS), please visit www.trex.com.

Adjust Joist Spanning to Accommodate Angled Decking Patterns



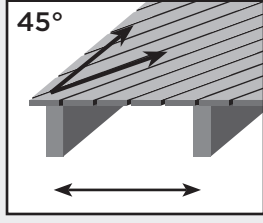
90°

Perpendicular to joists.
See chart below.



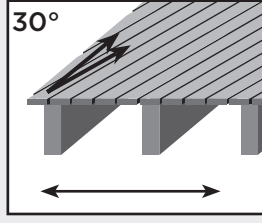
60°

At a 60° angle, maximum joist spanning is 2" (51 mm) less than listed in the chart below.



45°

At a 45° angle, maximum joist spanning is 4" (102 mm) less than listed in the chart below.



30°

At a 30° angle, maximum joist spanning is 1/2 of the distance listed in the chart below.

Trex Signature®, Trex Transcend®, Trex Transcend® Lineage®, Trex Select® and Trex Enhance® Decking Live Load Ratings

Trex® decking products have been evaluated by a 3rd-party test lab for two live load ratings: per *ASTM D7032 Standard Specification for Establishing Performance Ratings for Wood-Plastic Composite and Plastic Lumber Deck Boards, Stair Treads, Guards and Handrails*.

The IBC *International Building Code* and IRC *International Residential Code* require a 40 psf rating for most walking surface installations. Some commercial installations will require a 100 psf rating or more. It is recommended you consult your local building official regarding the requirements in your area. Below are the on-center span requirements to meet the desired rating. For a stiffer installation, a 16" on-center span is recommended for the decking surface.

Trex Decking Span Chart		
On-Center Span	Product	Rating
16" (406 mm)	Trex Transcend® 2 x 6 and Trex Select® 2 x 6 Products	200 psf
16" (406 mm)	Trex Signature® 1x6, Trex Transcend® 1 x 6, Trex Transcend® Lineage® 1 x 6, Trex Select® 1 x 6, and Trex Enhance® 1 x 6 Products	100 psf
16" (406 mm)	Trex Transcend® Lineage® 1 x 4 Products	100 psf
24" (610 mm)	Trex Transcend® 2 x 6 and Trex Select® 2 X 6 Products	100 psf
24" (610 mm)	Trex Transcend® 1x6 and Trex Transcend® Lineage® 1 X 6 Products	91 psf
24" (610 mm)	Trex Select® 1 x 6 Products	75 psf
9" (229 mm)	Trex Enhance® 1 x 6 Products	Stair Tread
12" (305 mm)	Trex Transcend® Lineage® 1 x 4 Products	Stair Tread
12" (305 mm)	Trex Signature® 1 x 6, Trex Transcend® 1 x 6, Trex Transcend® Lineage® 1 x 6 and Trex Select® 1 x 6 Products	Stair Tread
16" (406 mm)	Trex Transcend® 2 x 6 and Trex Select® 2 x 6 Products	Stair Tread

NOTE: Construction methods are always improving. Please refer to www.trex.com for the most up-to-date installation requirements.

Code Compliance/Continued

Canada Requirements For Trex® Decking: The following changes are to be followed with respect to spans and gapping instructions; these spans are specific for Canada requirements only.

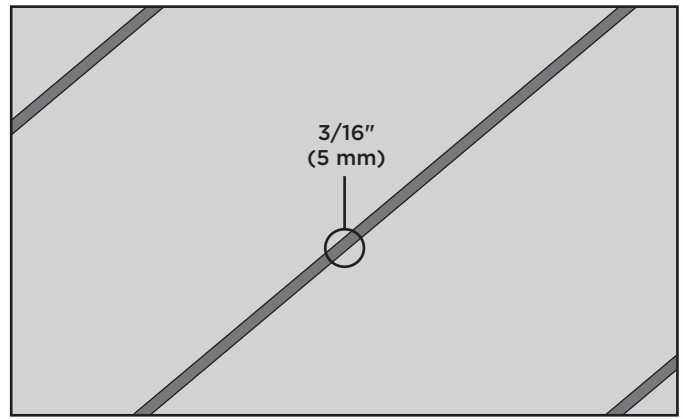
Canada Allowable Joist and Stair Stringer Spacing		
Product	Maximum Allowable Joist Spacing	Maximum Allowable Stair Stringer Spacing
21 mm x 140 mm Select Decking	400 mm	200 mm
24 mm x 140 mm Transcend Decking	400 mm	230 mm
24 mm x 140 mm Signature Decking	400 mm	275 mm
24 mm x 140 mm Enhance Decking	300 mm	200 mm
33 mm x 140 mm Select Decking	600 mm	250 mm
33 mm x 140 mm Transcend Decking	600 mm	250 mm

Canada Gapping Requirements		
Gap Type	Temperature at Time of Installation	Minimum Gap Requirement (mm)
Width-to-Width Gap	Above -9°C	5
End-to-End	Above 15°C	4
End-to-End	Between 3°C to 15°C	6
End-to-End	Between -9°C to 3°C	8
End-to-Solid Object	Above 3°C	6
End-to-Solid Object	Between -9°C to 3°C	13

Gapping and Overhang

You must gap Trex® decking both end-to-end and width-to-width. Gapping is necessary for drainage and the slight thermal expansion and contraction of Trex decking boards. Gapping also allows for shrinkage of the wood joist system.

- » **ALWAYS** follow Trex gapping guidelines.
- » Maximum allowable perpendicular overhang for all Trex decking is 3/4" (19 mm).
- » All decks require air circulation to keep them dry and looking good. To improve air flow, leave openings under the decking or increase gapping to 3/8" (10 mm).
- » Trex 1 x 4 decking is not recommended for overhang applications with the exception of 1 x 4 decking running perpendicular to the framing.



Width-to-Width

The minimum required width-to-width gapping is 3/16" (5 mm). This is allowed for both hot and cold weather installations. For heavily wooded areas, Trex® recommends a 3/8" (10 mm) gap. No gapping should ever exceed 1/2" (13 mm).

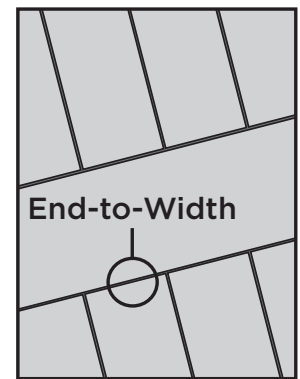
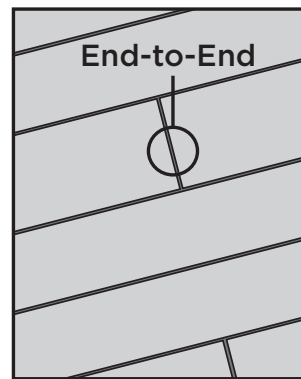
Width-to-Width Gap
3/16" (5 mm)

End-to-End/End-to-Width and Abutting Gap		
	End-to-End/ End-to-Width	Abutting Gap
Above 40°F* (4.5°C)*	1/8" (3 mm)	1/4" (6 mm)
Below 40°F* (4.5°C)*	3/16" (5 mm)	1/2" (13 mm)

*Temperature at installation.

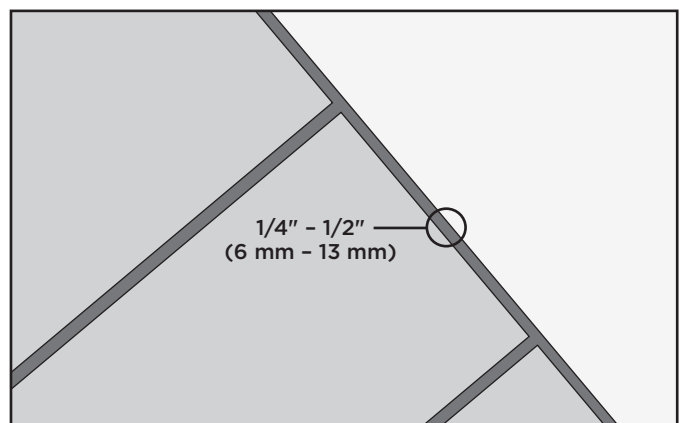
When using the Trex Hideaway® fasteners, the placement of the hidden fastener establishes the designated gap size.

When installing fascia, gapping guidelines must be followed.



End-to-End/End-to-Width

Gap Trex decking end-to-end, based upon the temperature at installation. See chart at left. For fastening tips, see page 19.

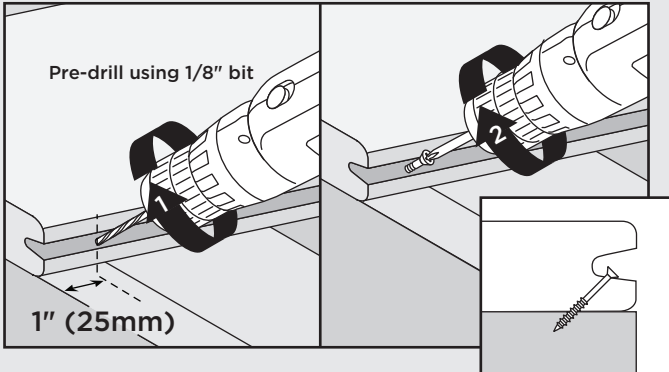


Abutting Solid Objects

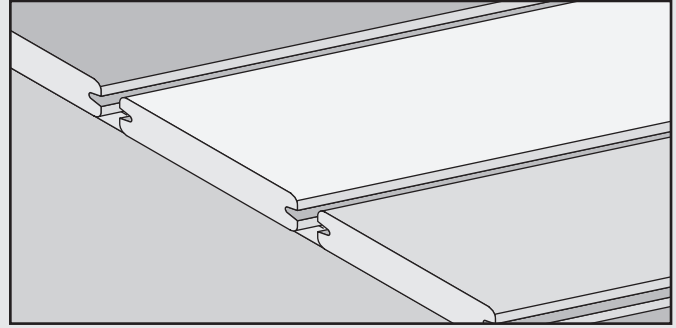
When decking is abutting a wall, you must also gap it 1/4"-1/2" (6-13 mm) depending on the temperature at installation. See chart to the left.

Important Notes Before Installing Trex® Decking

If installing in localities prone to large temperature shifts within a 24-hour period, and installing Trex® Universal Hidden Fasteners, pre-drill and toenail a screw (use same screw used in hidden fasteners) at an angle in groove at both ends (at least 1" (25mm) from board end) and center of each board.

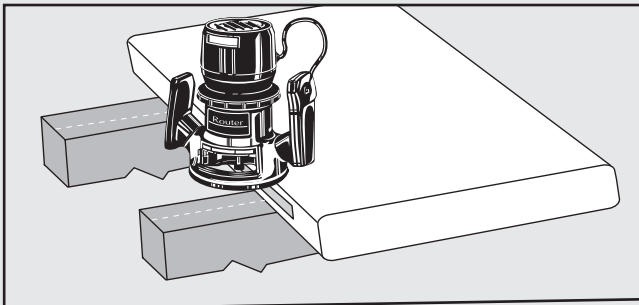


To ensure an appealing mix of color tones, mix and match all boards prior to installation.



Routing Square Edge Boards for Trex Hideaway Hidden Fasteners

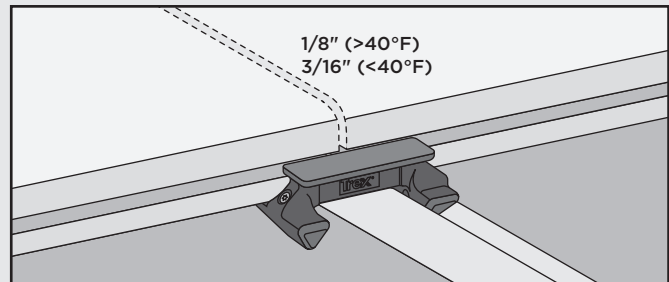
NOTE: All Trex® square edge profiles can be routed.



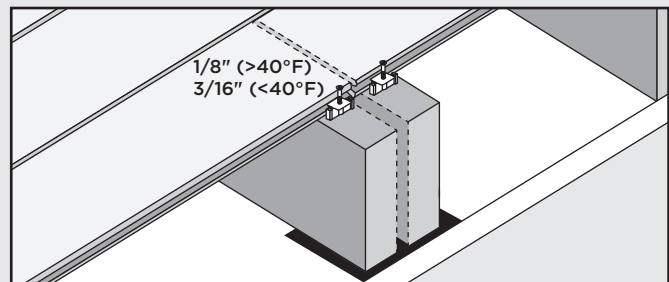
Using a Trex® router bit with standard router:

1. Rout from bottom side of board.
2. Rout the entire length of the board, or at every intersection where board is over support joists.

Abutted Board Attachment Wood Framing- Option 1

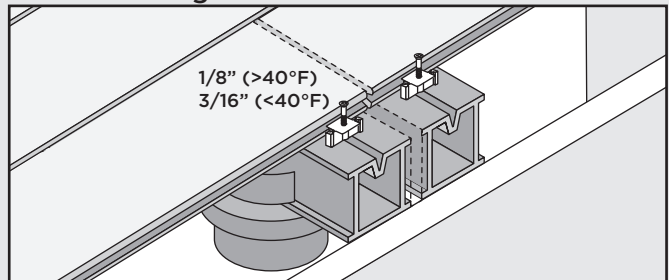


Abutted Board Attachment Wood Framing- Option 2



NOTE: Optional - Gap joist framing 1/8" - 1/4" to allow for water drainage. Refer to local building code recommendations to determine if gapping between joists to allow for additional airflow is required.

Metal Framing



NOTE: Hidden Fasteners MUST be used at every joist.

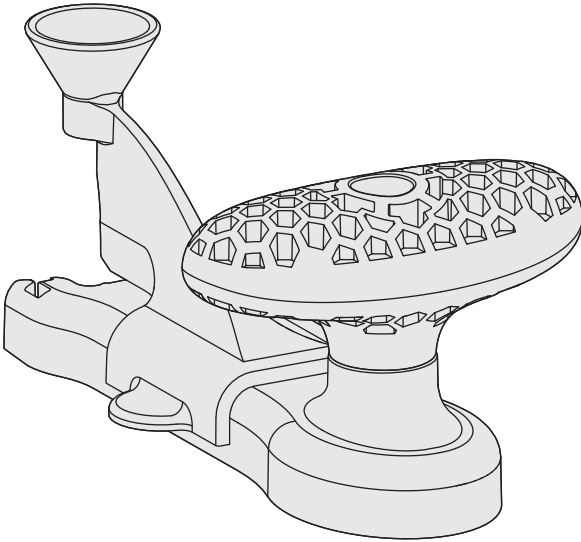
NOTE: Use a drill (with adjustable clutch and torque) and adjust these settings if necessary to ensure screw is seated correctly in fastener. DO NOT countersink the screw head into the fastener. Screw head should be flush with the top of the fastener.

TREX HIDEAWAY®

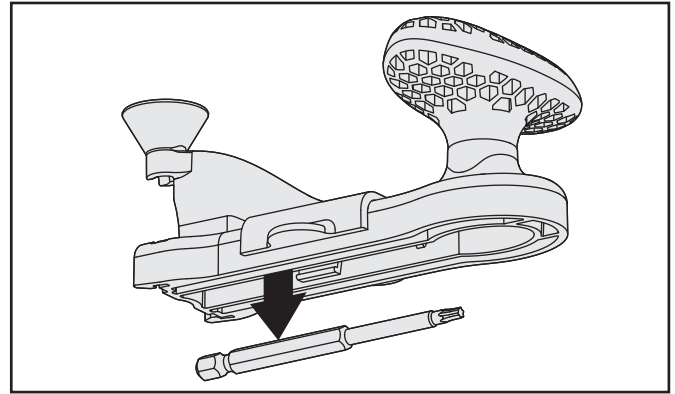
One-Step Hidden Fastener Tool Instructions

The Hideaway® One-Step Installation Tool increases installation speed by allowing you to install the fastener in one easy step. With this tool you can fully actuate the fastener and still install your next deck board, converting what's normally a two-step process into a one-step installation process.

One-Step Hidden Fastener Tool

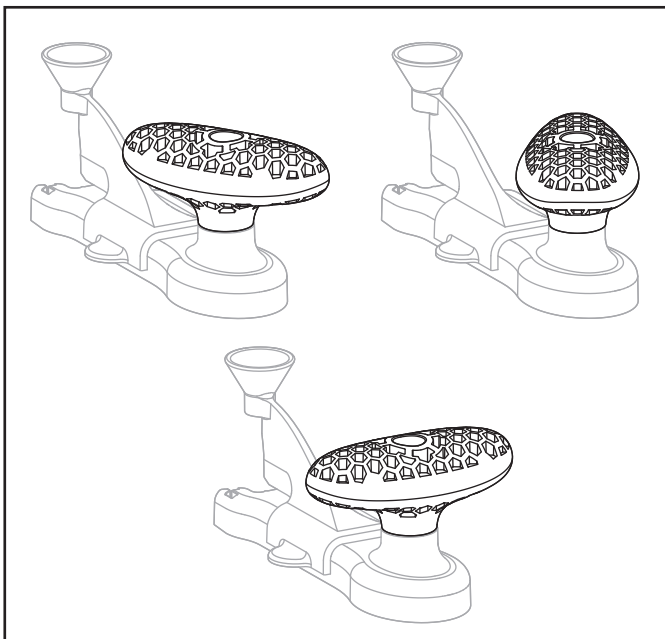


One-Step Hidden Fastener Tool Bit

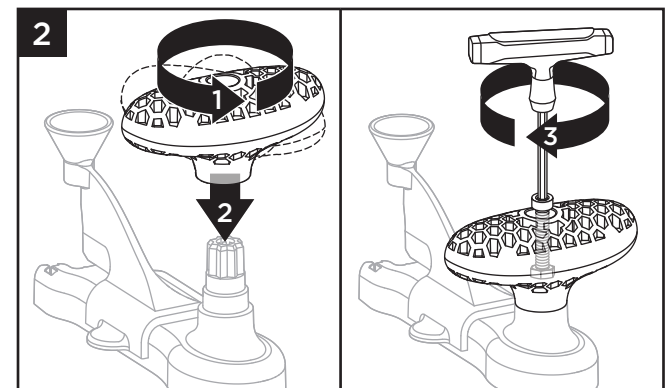
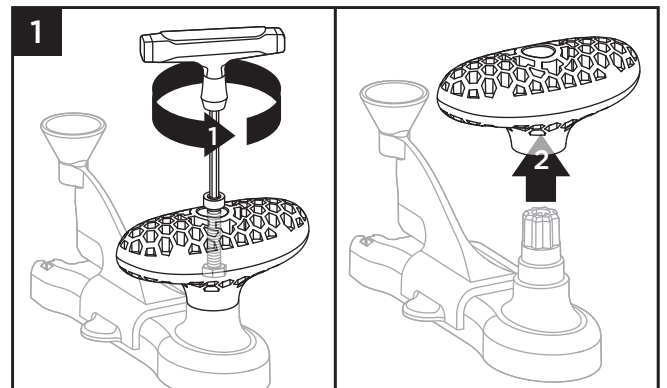


The bit supplied with the Trex® Universal Fasteners and the One-Step Tool are the same bit, and both are compatible with the tool. Turned down T10 bits from other manufacturers will also work, but please ensure the turned down portion (the narrow nose) is at least 1-1/2" long. Using an inappropriate bit will not allow fasteners to seat correctly and could damage the tool. Bit is conveniently located on the underside of the one-step tool. For replacement Trex® bits please visit Shop.Trex.com.

Handle Adjustment



Handle is adjustable and can be loosened and rotated using a 3/16" hex tool to a comfortable position for the user.

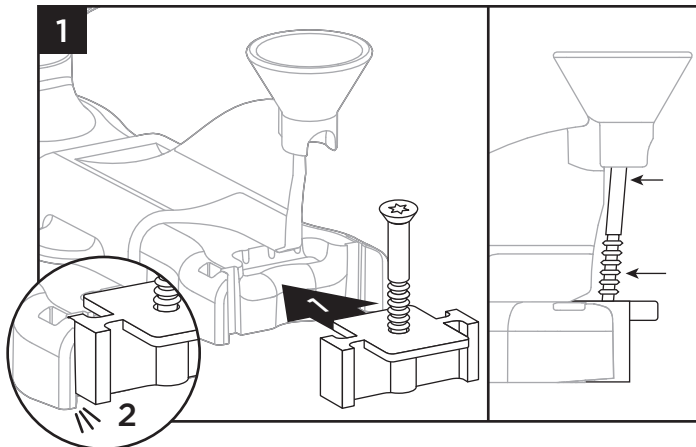


TREX HIDEAWAY®

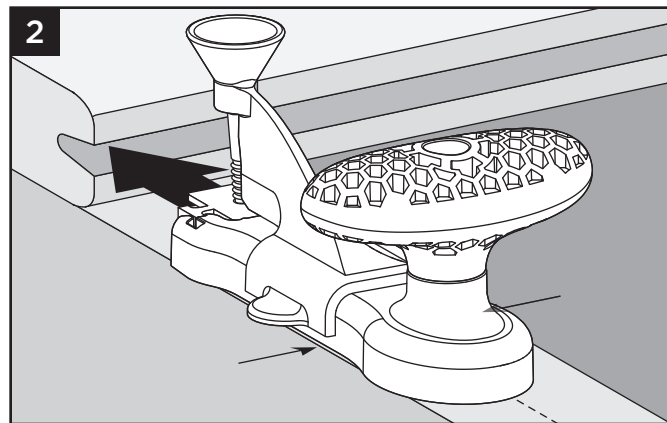
One-Step Hidden Fastener Tool Instructions/CONTINUED

NOTE: See instructions included with Trex Hideaway® Universal Hidden Fasteners for general rules including clean cutting board ends, gapping rules, abutted board rules and installation of angled deck boards, as well as start clip instructions, steps to take for large temperature shifts and installation of last deck board.

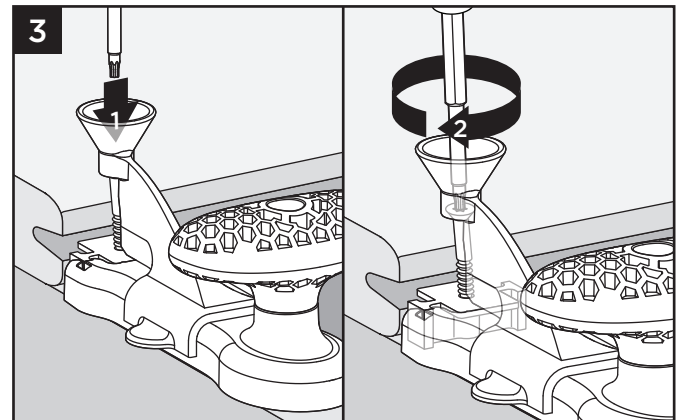
Installation Instructions



1. Place Hideaway hidden fastener into one-step tool. There will be a slight click when fastener is engaged properly. Screw will also be slightly at an angle when engaged in one-step tool properly.

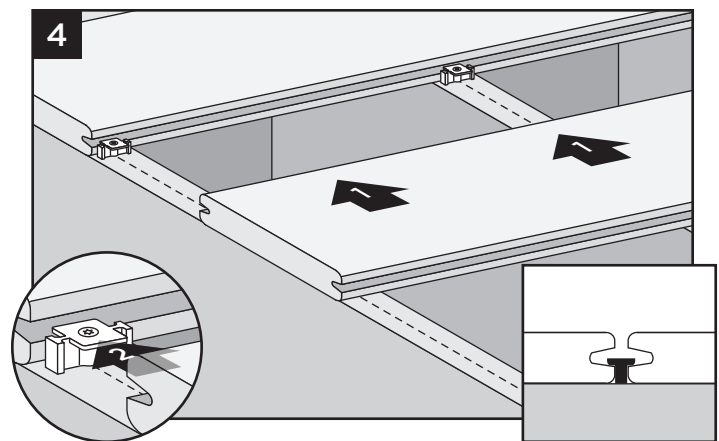


2. Center one-step tool (with fastener included) on joist and push into groove of board.



3. Using bit included with one-step tool, install screw as shown. Screw should be slightly countersunk into fastener when installed correctly. Continue to install fasteners on every joist. **Do Not Overdrive Screw.**

NOTE: Signs of overtightening would be the tool getting stuck and unable to remove properly and/or signs that the shaft of the bit is damaging the conical screw guide.



4. Install next board against installed hidden fasteners. Some slight force (using a rubber mallet) to seat next board against fasteners may be required.

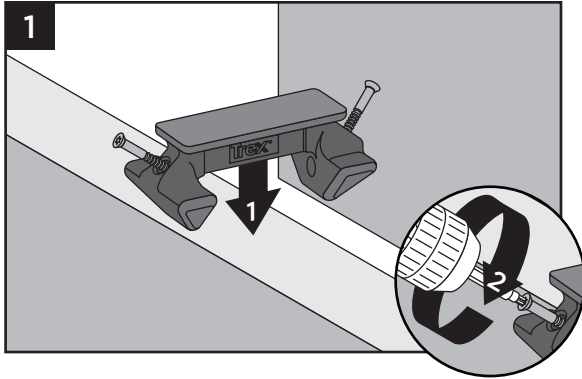
TREX HIDEAWAY®

Butt Joint Clip Instructions

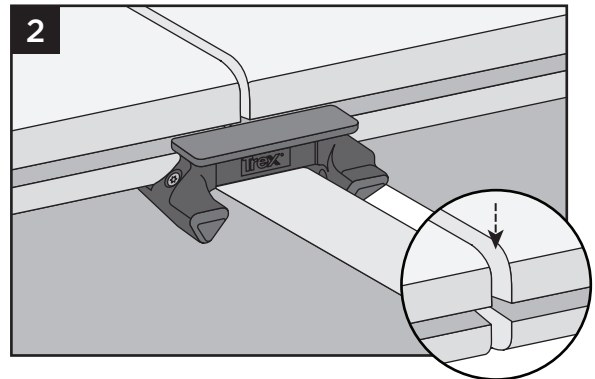
IMPORTANT NOTES:

- » Proper end-to-end gapping is required. See complete installation instructions for details.
- » Cannot be used with Trex® RainEscape® applications.
- » Deck boards must be installed across a minimum of 3 supports.

Installation Instructions



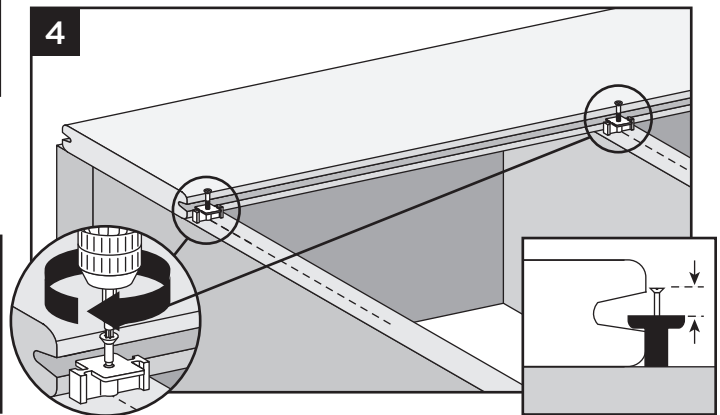
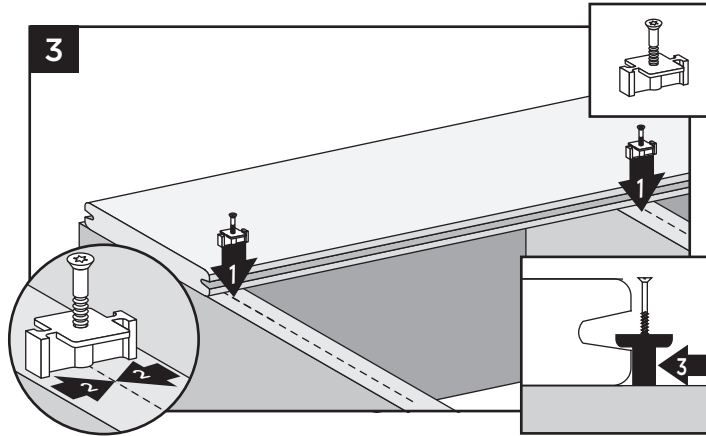
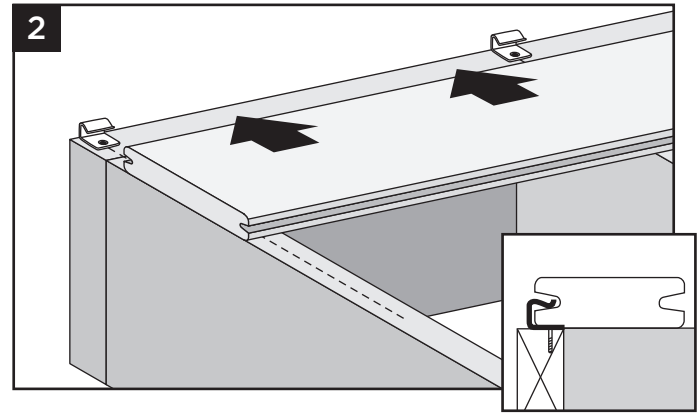
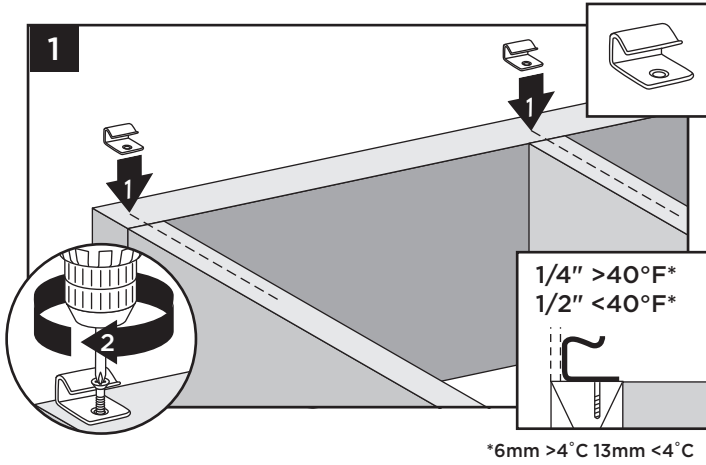
1. For butt joints, where boards meet over a single joist, install butt clip to shared joist as shown with 2 screws (supplied with clip).



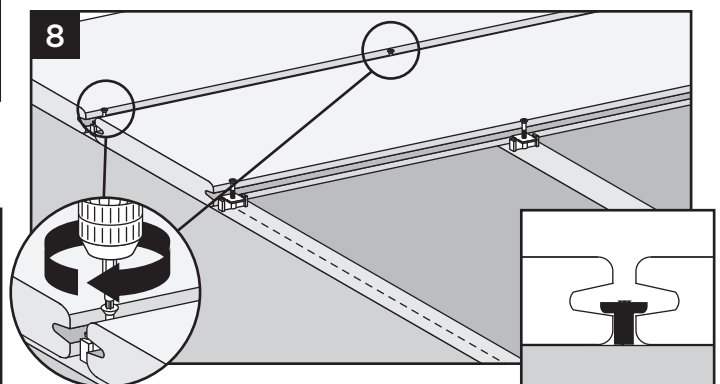
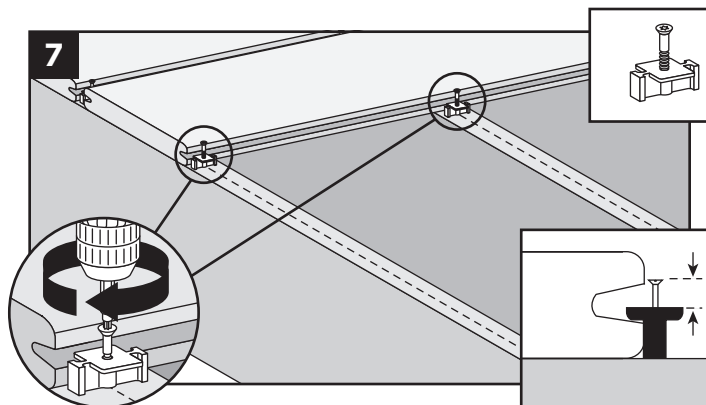
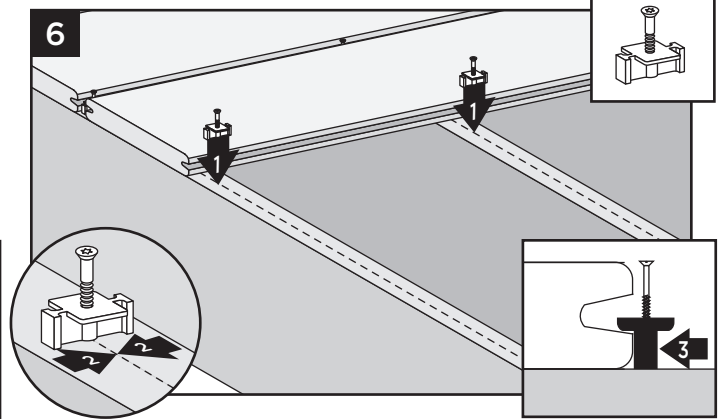
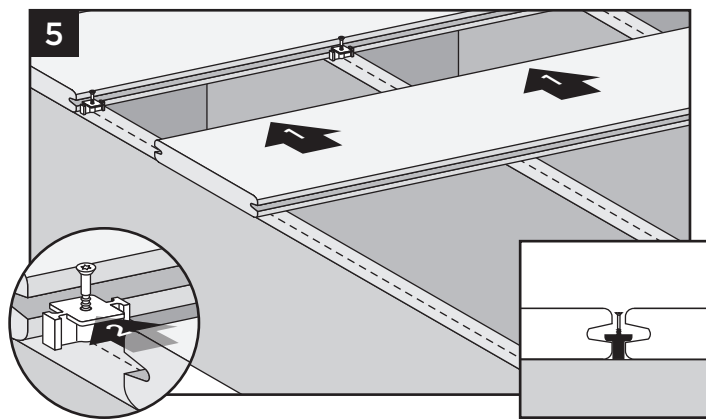
2. Properly gap decking per Trex requirements.

Installing Trex Signature®, Transcend®, Enhance®, Trex Select® Decking

NOTE: These instructions should be followed when **NOT** using the One-Step Tool.

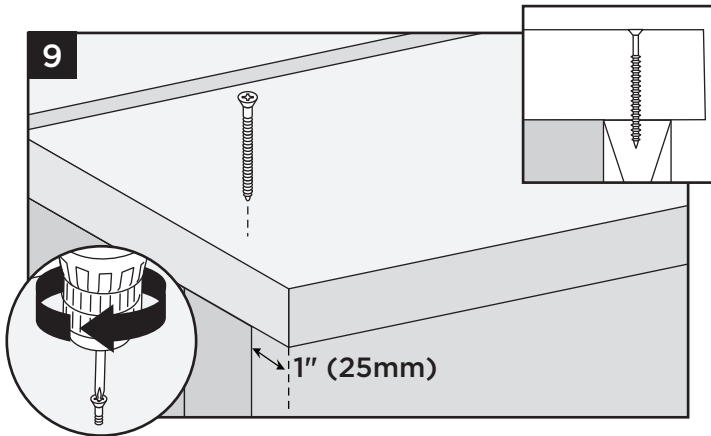


NOTE: Use scrap piece of decking to help hold fastener in place while attaching.



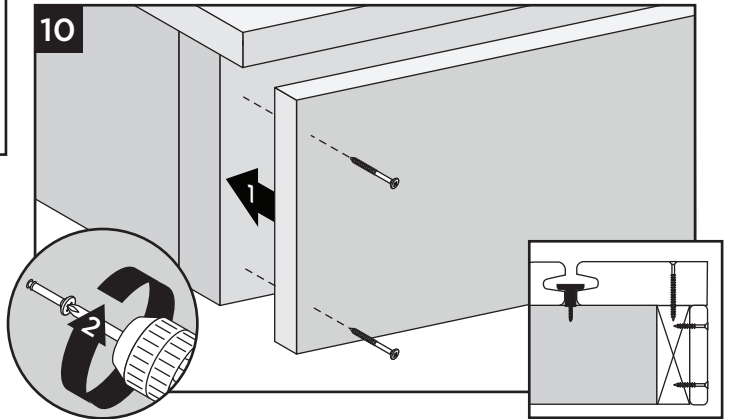
Installing Trex Signature®, Transcend®, Enhance®, Trex Select® Decking/continued

Installing Last Deck Board (Square-Edge Board Recommended)



Route one side of square-edge board to use with hidden fasteners.

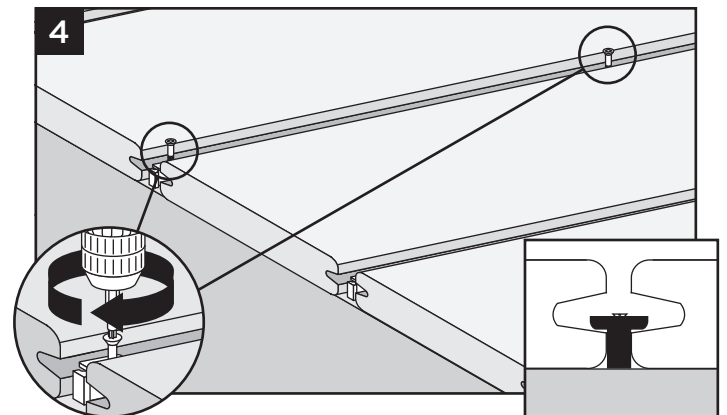
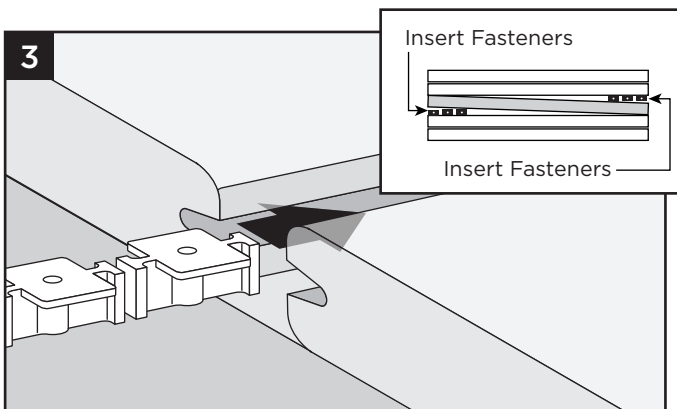
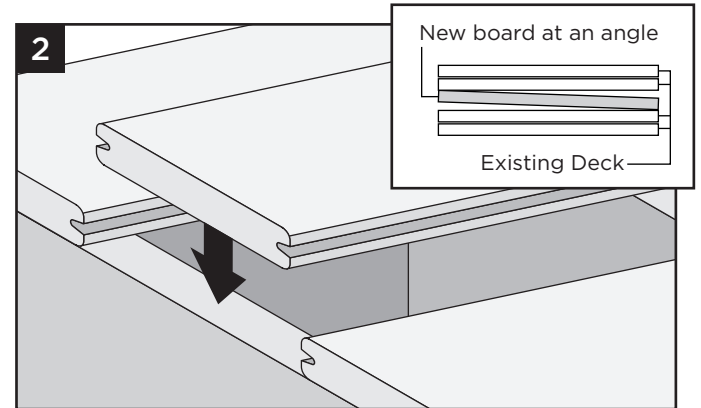
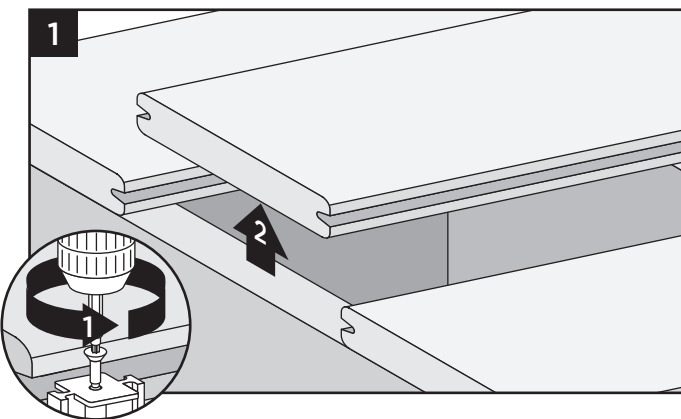
TIP: Use a recommended hidden fastener screw and plug for last board installation.



Fascia screws supplied by installer (1 x 8 fascia shown)

NOTE: Refer to page 16 for detailed fascia attachment instructions.

Replacing Trex Decking (Trex Signature®, Transcend®, Enhance®, Trex Select®) Installed with Trex Hideaway® Universal Fasteners



Trex Hideaway® Deck Plug for Trex® Transcend®, and Trex Select® Decking

Installation Instructions

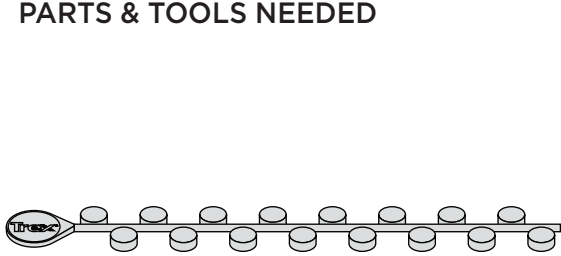
IMPORTANT NOTES:

- » **DO NOT** use for Trex Enhance® Decking (or any scalloped profile).
- » **DO NOT** use to install fascia.
- » **Not recommended** for use in salt environments.
- » **Not for use** with sleeper systems.
- » Trex Hideaway® plug systems are compatible only with Trex Plugs.
- » **Always follow** deck board manufacturer's installation guidelines.

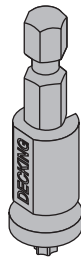
General Installation Recommendations:

- Always use two screws per joist or stair stringer.
- At board ends on the deck's edge, install screws placed perpendicularly at the recommended distance, at minimum of 1" from the board end and edge, without splitting the board.

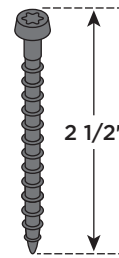
PARTS & TOOLS NEEDED



Trex Transcend® or Trex Select®
Color Match Deck Plugs



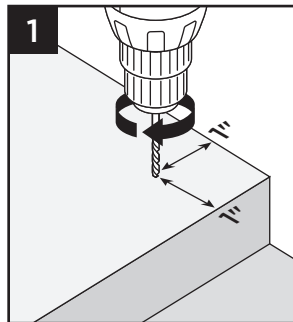
HEXSTIX® Depth Setter
(Select/Transcend/Signature
Decking)



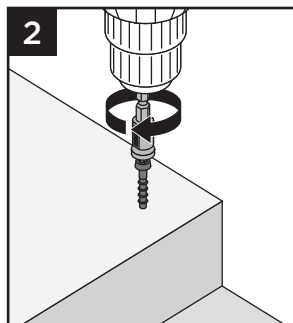
Trex Hideaway®
Composite Screw

Installation Instructions:

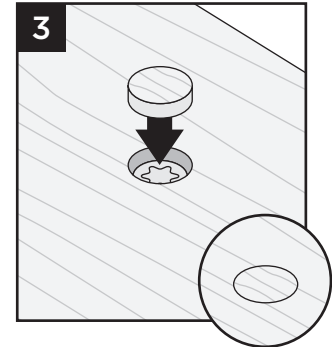
- For best results pre-drill through deck board only, using 1/8" drill bit. When installing close to the end of the board pre-drilling is required.



- For best results using an 18V or higher cordless drill and the included HEXSTIX® depth setter, install fasteners at a 90° angle (perpendicular to the board). Drive the screws into the decking until the bit releases from the screw.



- Clean out hole of any remaining debris and using a Trex Transcend® or Trex Select® color matched plug (sold separately), align the grain and press plug into the hole, and tap flush with a smooth faced hammer.



NOTE: Drive the screw in all at once, do not stop. You will hear the sound change when the screw is fully driven.

Hexstix® is a registered trademark of Phillips Screw Company

Trex Hideaway® Deck Plug for Trex® Enhance® Decking

Installation Instructions

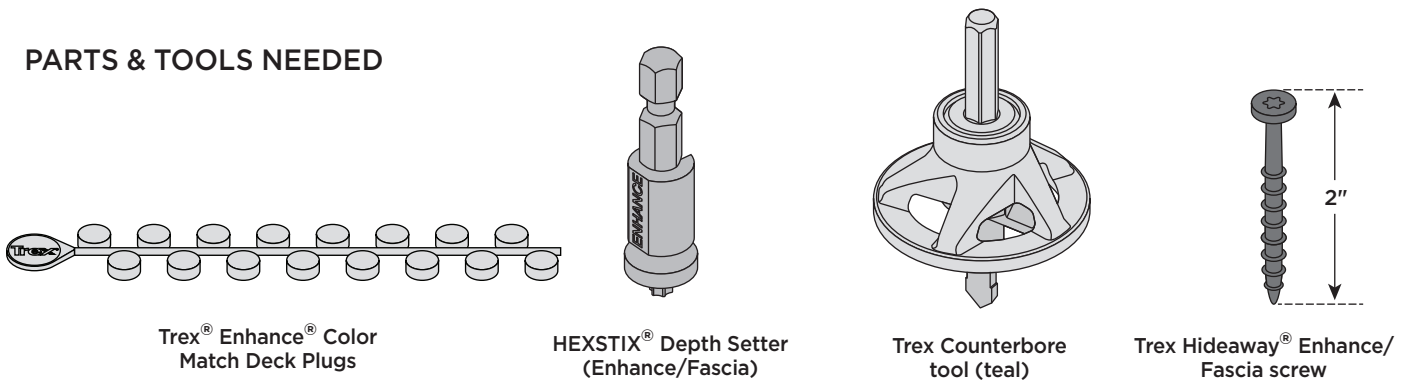
IMPORTANT NOTES:

- » For use with Trex® Enhance® Decking.
Note: This counterbore tool can also be used for Trex Fascia Plug applications.
- » Not recommended for use in salt environments.
- » Trex Hideaway® plug systems are compatible only with Trex Plugs.
- » Not for use with sleeper systems that are less than 2" thick.
- » Always follow deck board manufacturer's installation guidelines.

General Installation Recommendations:

- Always use two screws per joist or stair stringer.
- At board ends on the deck's edge, install screws placed perpendicularly at the recommended distance, at minimum of 1" from the board end and edge, without splitting the board.

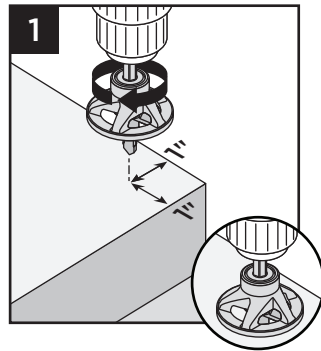
PARTS & TOOLS NEEDED



Installation Instructions:

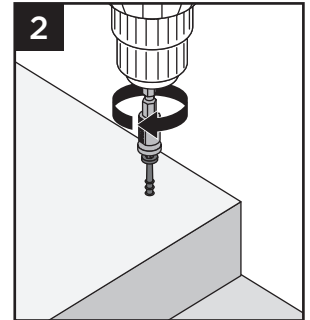
- Using an 18V or higher cordless drill and the Trex Counterbore tool (sold separately), bore counterbore holes to the proper depth by drilling until the cup stops spinning.

NOTE: This teal counterbore tool can also be used with Trex Fascia Plug installations.

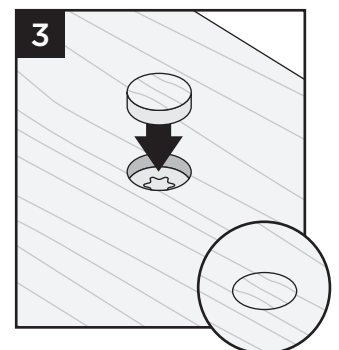


- Using the HEXSTIX® depth setter in a 18v or greater drill or impact driver, install fasteners at a 90° angle (perpendicular to the board). Drive the screws into the decking until the bit releases from the screw.

NOTE: Drive the screw in all at once, do not stop. You will hear a change in sound when the screw is fully driven.



- Clean out hole of any remaining debris and using a Trex Enhance® decking color matched plug (sold separately), align the grain and press plug into the hole, and tap flush with a smooth faced hammer.



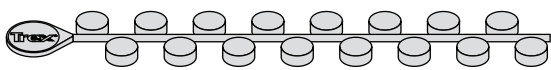
Trex Hideaway® Fascia Plug

Installation Instructions

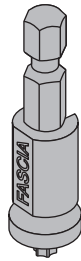
IMPORTANT NOTES:

- » **Do NOT use for Trex® Decking applications.**
(however note this counterbore tool can also be used for Trex Enhance® Deck plug applications)
- » **Not recommended for use in salt environments.**
- » **Trex Hideaway® plug systems are compatible only with Trex Plugs.**
- » **Always follow deck board manufacturer's installation guidelines for gapping and general installation recommendations.**

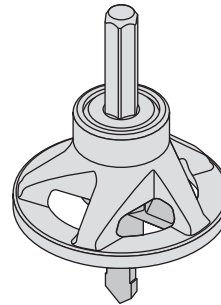
PARTS & TOOLS NEEDED



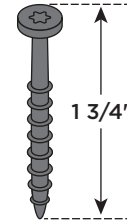
Trex® Fascia Color Match Plugs



HEXSTIX® Depth Setter
(Enhance/Fascia)



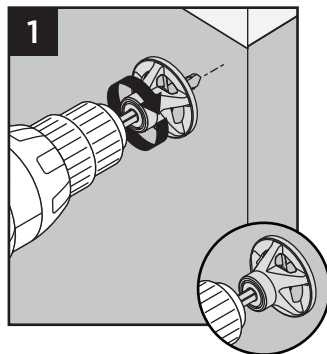
Plug Counterbore
tool (teal)



Trex Hideaway®
Fascia screw

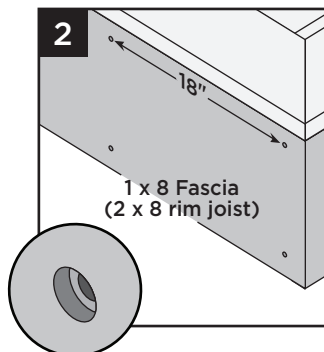
Installation Instructions:

- Using an 18V or higher cordless drill and the Plug Counterbore tool (sold separately), counterbore holes into the fascia board to the proper depth by drilling until the cup stops spinning.

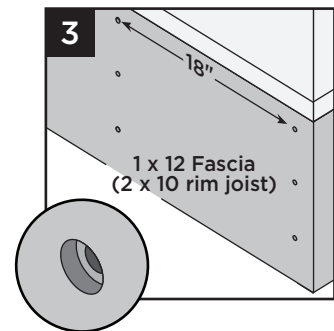


NOTE: This teal counterbore tool and teal Enhance®/Fascia HEXSTIX® depth setter can also be used with Trex Enhance® Deck Plug installations.

- When using 2 x 8 framing (in most cases 1 x 8 fascia is used for this application), bore two holes into the fascia every 18", ensuring that holes are starting and ending at least 1" away from ends of the fascia as well as 1" from bottom and top of the rim joist.

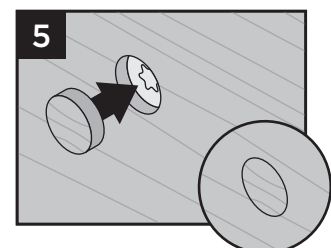
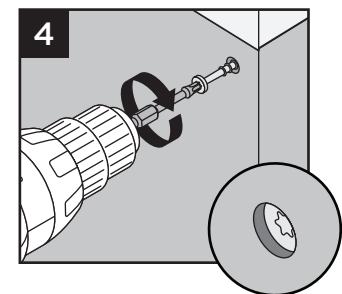


- When using 2 x 10 or larger framing (1 x 12 fascia applications), bore 3 holes into the fascia every 18" ensuring that holes are starting and ending 1" away from the ends of the fascia as well as 1" from the bottom and top of the rim joist.
- Using the Fascia HEXSTIX® depth setter, install fasteners at a 90° angle (perpendicular to the fascia). Drive the screws into the fascia until the bit releases from the screw.



NOTE: Drive the screw in all at once, do not stop. You will hear the sound change when the screw is fully driven. Do not overdrive screw.

- Clean out hole of any remaining debris and using a Trex® fascia plug (sold separately), align the grain and press plug into the hole, and tap flush with a smooth faced hammer.



Trex® Color Match Composite Screw

Installation Instructions

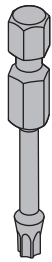
IMPORTANT NOTES:

- » *Not recommended for use in salt environments.*
- » *Not for use with sleeper systems that are less than 2X nominal thick.*
- » *Always follow deck board manufacturer's installation guidelines.*

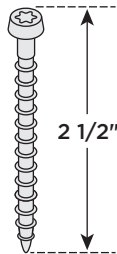
General Installation Recommendations:

- Always use two screws per joist or stair stringer.
- At board ends on the deck's edge, install screws placed perpendicularly at the recommended distance, at minimum of 1" from the board end and edge, without splitting the board.

PARTS & TOOLS NEEDED



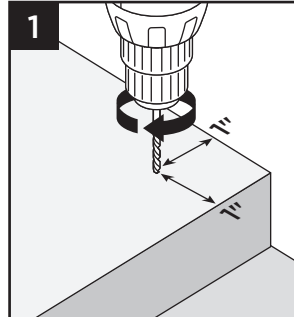
HEXSTIX® HS-20
Drive Bit



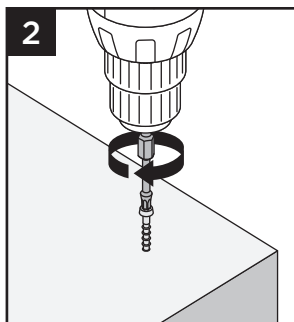
Trex Hideaway® Color-Match
Composite Screw

Installation Instructions:

- For best results pre-drill through deck board only, using 1/8" drill bit. When installing close to the end of the board pre-drilling is required.

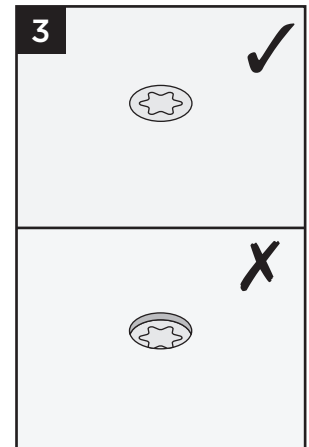


- For best results use an 18V or higher cordless drill and the included HEXSTIX® driver bit, install fasteners at a 90° angle (perpendicular to the board). Always drive screw in one smooth, continuous motion.



- Screws are designed to be installed flush with decking surface.

DO NOT countersink screws.



Note: Never use Torx® ttap® bits in a HexStix® screw.

ttap® is a registered trademark of Ttapdrive AS. Torx® is a registered trademark of Acument Intellectual Properties, LLC

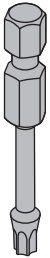
Trex® Fascia Color-Match Composite Screw

IMPORTANT NOTES:

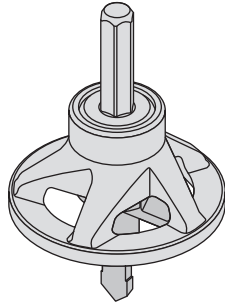
- » Do NOT use for Trex® Decking applications.
- » Not recommended for use in salt environments.
- » Always follow fascia board manufacturer's installation guidelines for gapping and general installation recommendations.

The Trex Hideaway® Fascia System works by allowing movement from the moisture cycling of the wood as well as the thermal movement from the wood-plastic composite or PVC fascia. The counterbore tool drills a hole that is slightly larger than the shank of the screw intentionally to allow for this. Do not over tighten screw.

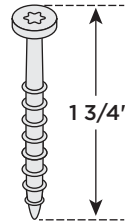
PARTS & TOOLS NEEDED



HEXSTIX® HS-20
Drive Bit



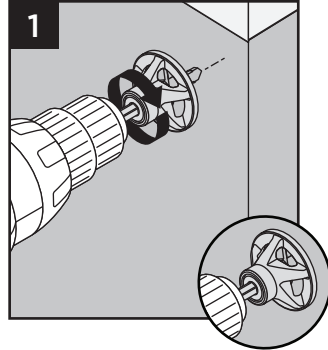
Color-match Fascia
Counterbore tool (red)



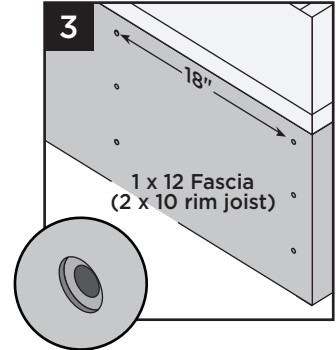
Color-Match
Fascia Screw

Installation Instructions:

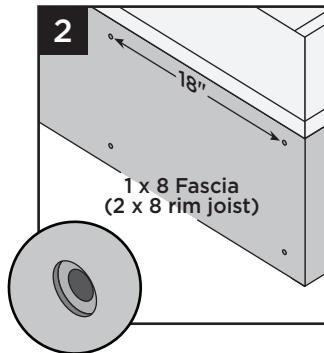
- Using the Color-match Fascia Counterbore tool (sold separately) in an 18V or higher cordless drill, counterbore holes into the fascia board to the proper depth by drilling until the cup stops spinning.



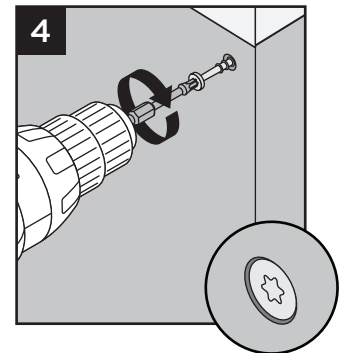
- When using 2 x 10 or larger framing (1 x 12 fascia applications), bore 3 holes into the fascia every 18" ensuring that holes are starting and ending 1" away from the ends of the fascia as well as 1" from the bottom and top of the rim joist.



- When using 2 x 8 framing (in most cases 1 x 8 fascia is used for this application), bore two holes into the fascia every 18", ensuring that holes are starting and ending 1" away from ends of the fascia as well as 1" from bottom and top of the rim joist.

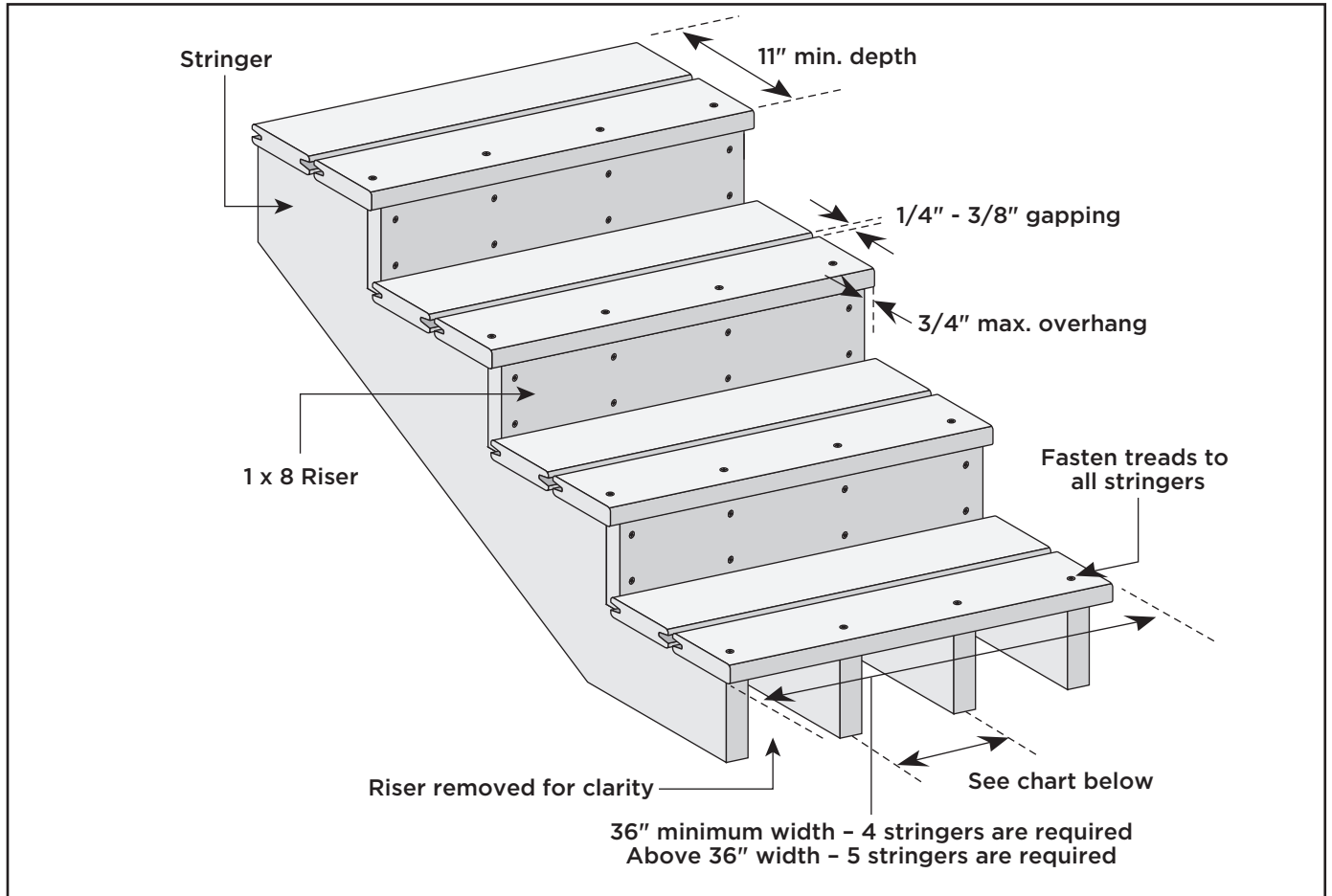


- Using the HEXSTIX® Drive Bit, install fasteners at a 90° angle (perpendicular to the fascia). Screws are designed to be installed flush with decking surface. **DO NOT countersink screws. DO NOT overdrive screws.**



Spanning Requirements for Trex® Stairs

Note: English measurements are shown. Convert to metric measurements if necessary.



Stairs

Stairway Detail

- » Stair treads built with Trex® meet requirements of the major national building codes. Consult your local municipality for specific requirements.
- » Fasten stair treads continuously across at least four stringers.
- » See chart (to the right) for center-to-center spacing of profiles.
- » Dress the sides of the stringers and risers with trim or Trex® fascia for a finished look.
- » When installing risers, use two screws per every stringer.
- » Fascia fasteners can only be used if fascia boards are being used for risers. If deck boards are used, composite deck screws must be used (glue is not required for this application).
- » Most model building codes require the stair treads to be constructed under the following requirements:
 - › Stairways must be at least 36" wide*
 - › Stair treads must be at least 11" deep
- » Gapping between Trex boards on stair treads must be 1/4"-3/8".
- » The overhang of the stair tread is not to exceed 3/4".

NOTES:

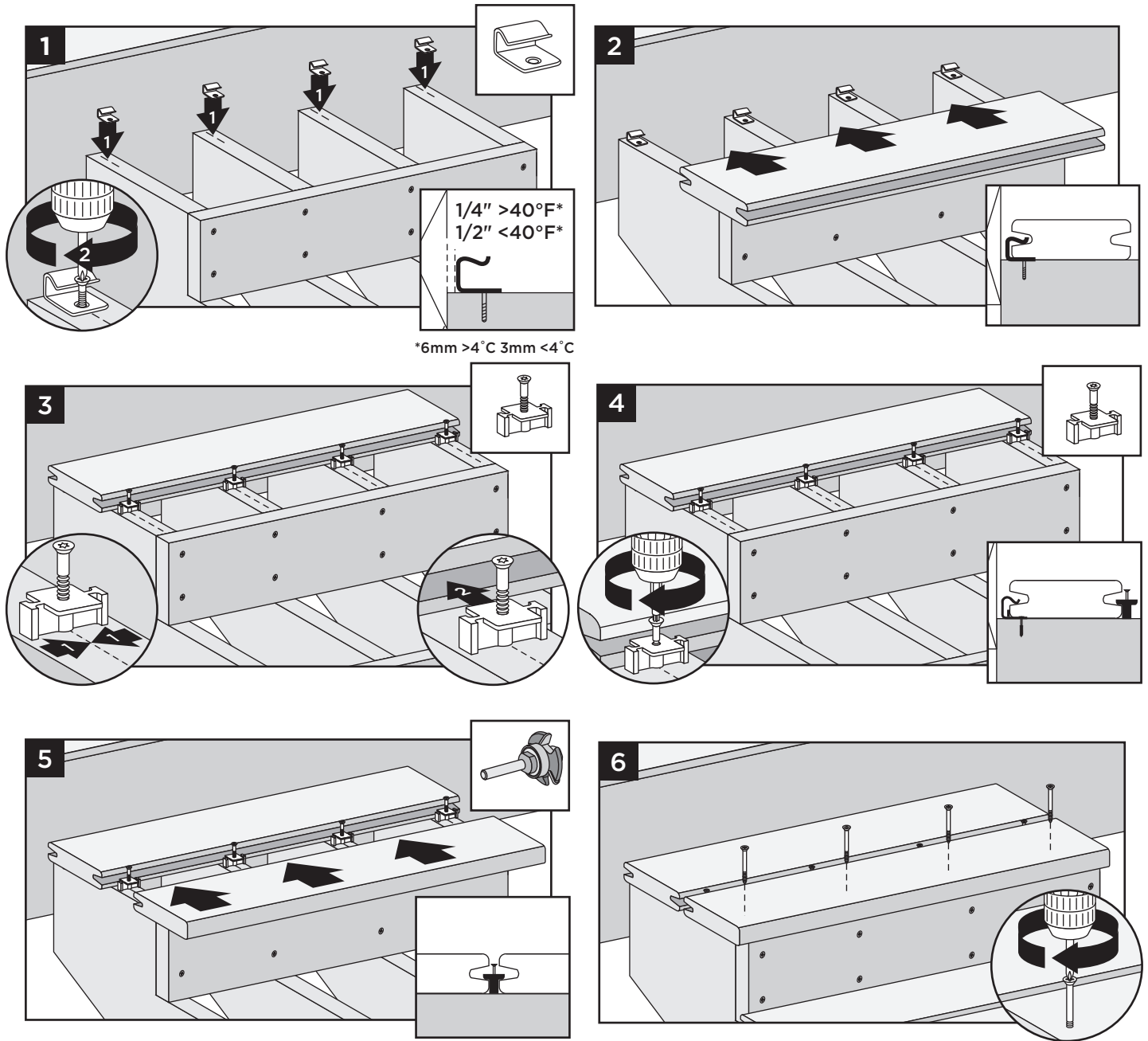
- » Trex® rails meet all major building codes for use as a guardrail system. Local municipalities may require a graspable handrail on stairways. Check with your local building code official for local requirements. See Trex ADA Handrail System in the Trex® product catalog.

Maximum Spacing on Center of Stair Stringer	
Signature®, Transcend®, & Select® 1 x 6, Transcend® 1 x 4	12"
Enhance® 1 x 6	9"
Transcend® & Select® 2 x 6	16"

*For railings that are installed directly over stair treads, the stair treads may need to be larger than 36" wide. Refer to local building code regulations for details prior to installing stairs and railings.

Installing Trex® Stair Treads Installed with Hidden Fasteners

NOTE: If using hidden fasteners, use square-edge, composite decking boards and manually route these on required sides to allow for use with hidden fasteners. In addition, if not using hidden fasteners, square-edge boards can all be used and face fastened using Trex recommended or approved fasteners.



Rout one side of board (last stair tread).

WARRANTIES





TREX® DECKING, FASCIA & CLADDING LIMITED WARRANTY

Trex Company, Inc. (hereinafter “Trex”) warrants to the original end-use purchaser (“Purchaser”) that, for the applicable Warranty Period set forth in Table I below, when properly installed, used and maintained under normal use and service conditions and in accordance with Trex’s written instructions, Trex® product set forth in Table I below (the “Product”) shall perform as follows:

Physical Integrity: The Product shall be free from material defects in workmanship and materials, and shall not split, splinter, rot or suffer structural damage from termites or fungal decay.

Fade Resistance: The Product shall not fade in color from light and weathering exposure as measured by color change of (a) more than 5 Delta E (CIE) units for twenty-five years from the date of original purchase, and (b) more than 15 Delta E (CIE) units for the remainder of the Warranty Period, if any. While the Product is designed to resist fading, no material is fade proof when exposed to years of UV exposure and the elements. The Product is designed to resist fading under normal weather conditions and will not fade by more than the number of Delta E (CIE) units indicated above.

Stain Resistance: The Product shall be resistant to permanent staining resulting from spills of food and beverage items including ketchup, mustard, salad oils, tea, wine, coffee, fruit punch, barbeque sauce, sodas and other food and beverage related items that would typically be present on a residential deck, or mold and mildew naturally occurring in the environment, provided that such substances are removed from the Product with soap and water within one (1) week of exposure of the food or beverage to the surface or first appearance of the mold and mildew. Cleaning procedures are described in the Care & Cleaning Guide at www.trex.com.

Notwithstanding the foregoing, Trex does not warrant that the Product is stain-proof and does not warrant stain resistance resulting from spilled or otherwise applied food and beverage substances which are not properly cleaned as provided above within one (1) week of exposure. In addition, materials not covered in this stain resistance section of this Limited Warranty include abrasive compounds of acidic or basic pH, paints or stains, strong solvents, metallic rust or other abnormal deck use items, and non-food and non-beverage substances, including but not limited to, biocides, fungicides, plant food, bactericides, cement, concrete, mortar, stucco and colored chalk. Mold and mildew can settle and grow on any outdoor surface, including this Product. You should periodically clean your deck to remove dirt and pollen that can feed mold and mildew. This Limited Warranty does not cover mold and mildew which is not properly cleaned as provided above within one (1) week of first appearance.

Residential/Commercial Application: For purposes of this Limited Warranty, a “residential application” shall refer to an installation of the Product on an individual residence, and a “commercial application” shall refer to any installation of the Product other than on an individual residence.

Term of Limited Warranty: The term of this Limited Warranty for a Product (the “Warranty Period”) begins on the date of original purchase and shall be equal to the number of years set forth next to such Product in Table I below.

TABLE I

Product	Residential Warranty Period	Commercial Warranty Period
Trex Signature® Decking and Fascia, Trex® Transcend® Decking and Fascia	50 Years	10 Years
Trex® Refuge Decking	50 Years	10 Years
Trex® Cladding	50 Years	25 Years
Trex Select® Decking and Fascia, Trex® Composite Decking, Trex® Universal Fascia	35 Years	10 Years
Trex® Enhance® Decking and Fascia	25 Years	10 Years

Transferability: With respect to a residential application, this Limited Warranty may be transferred one (1) time, within the five (5) year period beginning from the date of original purchase by the Purchaser, to a subsequent buyer of the property upon which the Product was originally installed. With respect to a commercial application, this Limited Warranty is freely transferable to subsequent buyers of the property upon which the Product was originally installed.

EXCLUSIONS FROM WARRANTY COVERAGE

The Products must be stored, handled, installed, used and maintained in accordance with instructions provided by Trex, and this Limited Warranty is conditioned upon compliance with all such instructions. Copies of Trex’s Installation Guides, Technical Information and Care and Cleaning Guides are available from Trex at the address listed below. The materials may also be obtained on Trex’s website at trex.com. Any information or suggestion by Trex with respect to the Products concerning applications, specifications or compliance with codes and standards, including building or safety codes, is provided solely for Purchaser’s convenient reference and is made without any representation as to accuracy or suitability. Purchaser must verify and test the suitability of any information with respect to the Products for Purchaser’s specific application. This Limited Warranty does not cover defects caused by:

Exposure to Heat: Direct or indirect contact with extreme heat sources (over 275°F/135°C) may cause fading and may damage the surface of the Product, and any effects of such exposure are expressly excluded from coverage under this Limited Warranty.

Surface Damage: Never use metal shovels or sharp-edged tools to remove snow and ice on the surface of the Product. If the surface of the Product is damaged or punctured, this Limited Warranty will be voided.

Paint or Other Materials Applied to the Product: If paint, solvents or other coating materials are applied to the Product, this Limited Warranty will be voided.

Other Exclusions: This Limited Warranty shall not cover any condition attributable to: (1) improper installation of the Product and/or failure to abide by Trex’s installation guidelines, including but not limited to improper gapping; (2) use of the Product beyond normal use or service conditions, or in an application not recommended by Trex’s guidelines and local building codes; (3) movement, distortion, collapse or settling of the ground or the supporting structure on which the Product is installed; (4) any act of God (such as flooding, hurricane, earthquake, lightning, etc.), environmental condition (such as air pollution, mold, mildew, etc.), staining from foreign substances other than food and beverages (such as dirt, grease, oil, etc.); (5) improper handling, storage, abuse or neglect of the Product by Purchaser, the transferee or third parties; (6) any fading or staining not on the walking surface of the Product (i.e., the underside or the ends of the Product); or (7) ordinary wear and tear.

Excluded Products: This Warranty shall not apply to any Trex products not listed in Table I, including, but not limited to, Trex Transcend® railing, Trex Enhance® railing, Trex Select® railing, Trex Signature® railing, Trex Decklighting products, Trex Trim™ products, Trex® Outdoor Lighting products, Trex Hideaway® Fasteners, and Trex® Fencing, which are excluded from this Limited Warranty. Each of these products has a separate Limited Warranty.

PROCEDURE FOR MAKING A CLAIM UNDER THIS LIMITED WARRANTY

To make a claim under this Limited Warranty, Purchaser must do the following:

1. If the Purchaser is making a claim relating to the Limited Warranty on stain resistance, Purchaser must do as follows:

(a) Purchaser must try to clean the affected area of the deck by using the cleaning procedures described above (and provided in more detail in the Care & Cleaning Guide found at www.trex.com) within one (1) week of exposure of the food or beverage to the Product or first appearance of the mold and mildew.

(b) If the affected area remains reasonably unsatisfactory after Purchaser has tried these cleaning procedures, then Purchaser must have the affected area of the deck professionally cleaned at Purchaser’s expense.

(c) If the affected area remains reasonably unsatisfactory after the professional cleaning, Purchaser may make a claim under this Limited Warranty, provided that such claim is made within thirty (30) days after the professional cleaning.

2. To make a claim under this Limited Warranty, Purchaser, or the transferee, shall send to Trex, within the Warranty Period referred to above, a written description and photographs of the claimed defect, proof of purchase, and if the claim relates to the Limited Warranty on stain resistance, proof of compliance with paragraph 1 above, to the following address:

Trex Company, Inc.
Customer Relations
2500 Trex Way
Winchester, VA 22601



TREX® DECKING, FASCIA & CLADDING LIMITED WARRANTY (CONTINUED)

3. Upon confirmation by an authorized Trex representative of a valid claim hereunder, Trex's sole responsibility shall be, at its option, to either: (a) replace the affected Product with new Product in an amount equal to the volume (linear feet) of defective material; or (b) refund the portion of the purchase price paid by Purchaser for such affected Product (not including the cost of its initial installation). Replacement Products will be as close in color, design, and quality to the original Products as reasonably possible, in Trex's discretion and determination, but Trex does not guarantee an exact match as colors and designs may change and Trex's obligation as to replacement shall further be limited to replacement with the styles and colors of the Product that are available at the time of the replacement. **THE REMEDIES STATED IN THIS PARAGRAPH ARE PURCHASER'S SOLE AND EXCLUSIVE REMEDIES FOR ANY PRODUCT THAT FAILS TO CONFORM TO THIS LIMITED WARRANTY.**

If a valid warranty claim hereunder is made during year eleven (11) or any year thereafter through the expiration of the applicable Warranty Period after the original purchase, recovery will be prorated in accordance with Table II, below. If Trex is providing replacement materials, it may elect to replace the percentage listed in Table II, below, of boards otherwise meeting the requirements for a claim, or if it is refunding the purchase price, it may elect to refund the percentage listed below in Table II of the purchase price of Product otherwise meeting the requirements for a claim.

TABLE II

Year of Claim	Warranty Period		
	50 Year	35 Year	25 Year
11	90%	80%	80%
12	90%	80%	80%
13	90%	80%	80%
14	90%	80%	60%
15	90%	60%	60%
16	90%	60%	60%
17	70%	60%	40%
18	70%	60%	40%
19	70%	40%	40%
20	70%	40%	20%
21	70%	40%	20%
22	70%	40%	20%
23	50%	20%	10%
24	50%	20%	10%
25	50%	20%	10%
26	50%	20%	–
27	50%	20%	–
28	50%	20%	–
29	30%	10%	–
30	30%	10%	–
31	30%	10%	–
32	30%	10%	–
33	30%	10%	–
34	30%	10%	–
35	30%	10%	–
36	20%	–	–
37	20%	–	–
38	20%	–	–

Year of Claim	Warranty Period		
	50 Year	35 Year	25 Year
39	20%	–	–
40	20%	–	–
41	20%	–	–
42	20%	–	–
43	10%	–	–
44	10%	–	–
45	10%	–	–
46	10%	–	–
47	10%	–	–
48	10%	–	–
49	10%	–	–
50	10%	–	–

TO THE FULLEST EXTENT PERMITTED UNDER THE LAW, TREX'S SOLE OBLIGATION UNDER THIS LIMITED WARRANTY SHALL BE, AT ITS OPTION, REPLACEMENT OF NON-CONFORMING PRODUCTS OR A REFUND OF THE PURCHASE PRICE, AS DESCRIBED ABOVE. PURCHASER ASSUMES ALL RISK WHATSOEVER AS TO THE RESULT OF THE USE OF THE PRODUCTS PURCHASED, WHETHER USED SINGULARLY OR IN COMBINATION WITH ANY OTHER PRODUCTS OR SUBSTANCES.

THIS LIMITED WARRANTY SHALL NOT COVER AND TREX SHALL NOT BE RESPONSIBLE FOR COSTS AND EXPENSES INCURRED WITH RESPECT TO THE REMOVAL OF DEFECTIVE PRODUCT OR THE INSTALLATION OF REPLACEMENT MATERIALS, INCLUDING BUT NOT LIMITED TO LABOR AND FREIGHT.

No person or entity is authorized by Trex to make and Trex shall not be bound by any statement or representation as to the quality or performance of Product other than as contained in this Limited Warranty. This Limited Warranty may not be altered or amended except in a written instrument signed by Trex and Purchaser.

TO THE FULLEST EXTENT PERMITTED UNDER THE LAW, UNDER NO CIRCUMSTANCES WILL TREX BE LIABLE FOR ANY SPECIAL, INDIRECT, INCIDENTAL, CONSEQUENTIAL, RELIANCE, STATUTORY, SPECIAL, PUNITIVE OR EXEMPLARY DAMAGES, INCLUDING, BUT NOT LIMITED TO, LOST PROFITS, LOSS OF USE, LOSS OF TIME, LOSS OF REVENUES, INCONVENIENCE, LOSS OF BUSINESS OPPORTUNITIES, OR DAMAGE TO GOOD WILL OR REPUTATION DAMAGES, WHETHER SUCH DAMAGES ARE SOUGHT IN CONTRACT, IN TORT (INCLUDING BUT NOT LIMITED TO NEGLIGENCE AND STRICT LIABILITY) OR OTHERWISE, EVEN IF ADVISED OF THE POSSIBILITY OF SUCH DAMAGES OR SUCH DAMAGES COULD HAVE BEEN REASONABLY FORESEEN, IN CONNECTION WITH, ARISING OUT OF, OR AS A RESULT OF, THE SALE, DELIVERY, INSTALLATION, USE OR LOSS OF USE OF THE PRODUCTS SOLD HEREUNDER, OR FOR ANY LIABILITY OF PURCHASER TO ANY THIRD PARTY WITH RESPECT THERETO AND TREX'S LIABILITY FOR NON-PERSONAL INJURY CLAIMS WITH RESPECT TO DEFECTIVE PRODUCT SHALL

IN NO EVENT EXCEED THE REPLACEMENT OF SUCH PRODUCT OR REFUND OF THE PURCHASE PRICE, AS DESCRIBED ABOVE.

Some States or Provinces do not allow the exclusion or limitation of incidental or consequential damages, so the above limitation or exclusion may not apply to you. This Limited Warranty gives you specific legal rights, and you may also have other rights that vary from State to State or Province to Province.

Copyright © 2026 Trex Company, Inc.



TREX® FASTENERS LIMITED WARRANTY

Trex Company, Inc. (hereinafter "Trex") warrants to the original end-use purchaser ("Purchaser") that, for the period of time set forth in the following paragraph, when properly installed, used and maintained under normal use and service conditions, and in accordance with Trex's written instructions, Trex® products set forth in Table I below (the "Product") shall be free from material defects in workmanship and materials, and shall not structurally fail due to corrosion or rust.

TABLE I

Product
Trex Hideaway® Hidden Fasteners
Trex Hideaway® Decking Screws
Trex Hideaway® Fascia Screws

Term of Limited Warranty: The term of this Limited Warranty for a Product (the "Warranty Period") begins on the date of original purchase and shall be equal to the warranty period of the Trex Decking Product on which it is installed which can be found in the "Trex Decking, Fascia and Cladding Limited Warranty" available from Trex at the address listed below and on Trex's website at trex.com. If the Product is installed on other brands of woodplastic composite, cellular PVC or mineral-based composite decking, the warranty shall be twenty-five (25) years from the date of original purchase for a residential application, and ten (10) years from the date of original purchase for a commercial application.

Residential/Commercial Application: For purposes of this warranty, a "residential application" shall refer to an installation of the Product on an individual residence, and a "commercial application" shall refer to any installation of the Product other than on an individual residence.

Transferability: With respect to a residential application, this warranty may be transferred one (1) time, within the five- (5) year period beginning from the date of original purchase by the Purchaser, to a subsequent buyer of the property upon which the Product was originally installed. With respect to a commercial application, this warranty is freely transferable to subsequent buyers of the property upon which the Product was originally installed.

EXCLUSIONS FROM WARRANTY COVERAGE

This warranty shall not apply to any Trex products not listed in Table I, including, but not limited to, installation drive bits, counterbore tools and hand-held installation tools.

The Products must be stored, handled, installed, used and maintained in accordance with instructions provided by Trex, and this Limited Warranty is conditioned upon compliance with all such instructions. Copies of Trex's Installation Guides and Technical Information are available from Trex at the address listed below. The materials may also be obtained on Trex's website at trex.com.

Any information or suggestion by Trex with respect to the Products concerning applications, specifications or compliance with codes and standards, including building or safety codes, is provided solely for Purchaser's convenient reference, and is made without any representation as to accuracy or suitability. Purchaser must verify and test the suitability of any information with respect to the Products for Purchaser's specific application.

Trex does not warrant against and is not responsible for any condition attributable to: (1) improper installation of Product and/or failure to abide by Trex's installation guidelines, including but not limited to improper gapping; (2) use of Product beyond normal use and service conditions, or in an application not recommended by Trex's guidelines and local building codes; (3) movement, distortion, collapse or settling of the ground or the supporting structure on which Product is installed; (4) any act of God (such as flooding, hurricane, earthquake, lightning, etc.), environmental condition (such as air pollution, mold, mildew, etc.); (5) variations or changes in color of Product; (6) improper handling, storage, abuse or neglect of Product by Purchaser, the transferee or third parties; or (7) ordinary wear and tear.

Additionally, for Product except the Trex Hideaway® Hidden Fasteners, Trex does not warrant against and is not responsible for any condition attributable to: (1) installation exposed to chemicals used in pools and hot tubs; (2) exposure to de-icing products containing chemicals or salt; (3) installation in high salinity environments, such as installations within 1500 feet of any body of salt water or in direct contact with any body of water; (4) consistently wet applications; (5) installation on decks installed at ground level, decks installed over sleeper systems; (6) installation exposed to ground contact; (7) Products driven into lumber that contains corrosive tannins; or (8) use of the Product in any application other than securing wood alternative decking and fascia products to wood framing.

PROCEDURE FOR MAKING A CLAIM UNDER THIS LIMITED WARRANTY

To make a claim under this Limited Warranty, Purchaser, or the transferee, shall send to Trex, within the Warranty Period referred to above, a written description and photographs of the claimed defect and proof of purchase, to the following address:

Trex Company, Inc.
Customer Relations
2500 Trex Way
Winchester, VA 22601

Upon confirmation by an authorized Trex representative of a valid claim hereunder, Trex's sole responsibility shall be, at its option, to either: (a) replace the affected Product with new Product in an amount equal to the amount of defective material; or (b) refund the portion of the purchase price paid by Purchaser for such affected Product (not including the cost of its initial installation). Replacement Products will be as close in color, design, and quality to the original Products as reasonably possible, in Trex's discretion and determination, but Trex does not guarantee an exact match as colors and designs may change and Trex's obligation as to replacement shall further be limited to replacement with the styles and colors of the Product that are available at the time of the replacement.

THE REMEDIES STATED IN THIS PARAGRAPH ARE PURCHASER'S SOLE AND EXCLUSIVE REMEDIES FOR ANY PRODUCT THAT FAILS TO CONFORM TO THIS LIMITED WARRANTY. THIS LIMITED WARRANTY SHALL NOT COVER AND TREX SHALL NOT BE RESPONSIBLE FOR COSTS AND EXPENSES INCURRED WITH RESPECT TO THE REMOVAL OF DEFECTIVE PRODUCT OR THE INSTALLATION OF REPLACEMENT MATERIALS, INCLUDING BUT NOT LIMITED TO LABOR AND FREIGHT.



TREX® FASTENERS LIMITED WARRANTY (CONTINUED)

If a valid warranty claim hereunder is made during year eleven (11) or any year thereafter through the expiration of the applicable Warranty Period after the original purchase, recovery will be prorated in accordance with Table II, below. If Trex is providing replacement materials, it may elect to replace the percentage listed in Table II, below, of Product otherwise meeting the requirements for a claim, or if it is refunding the purchase price, it may elect to refund the percentage listed below in Table II of the purchase price of Product otherwise meeting the requirements for a claim.

TO THE FULLEST EXTENT PERMITTED UNDER THE LAW, UNDER NO CIRCUMSTANCES WILL TREX BE LIABLE FOR ANY SPECIAL, INDIRECT, INCIDENTAL, CONSEQUENTIAL, RELIANCE, STATUTORY, SPECIAL, PUNITIVE OR EXEMPLARY DAMAGES, INCLUDING, BUT NOT LIMITED TO, LOST PROFITS, LOSS OF USE, LOSS OF TIME, LOSS OF REVENUES, INCONVENIENCE, LOSS OF BUSINESS OPPORTUNITIES OR DAMAGE TO GOOD WILL OR REPUTATION DAMAGES, WHETHER SUCH DAMAGES ARE SOUGHT IN CONTRACT, IN TORT (INCLUDING, BUT NOT LIMITED TO, NEGLIGENCE AND STRICT LIABILITY) OR OTHERWISE, EVEN IF ADVISED OF THE POSSIBILITY OF SUCH DAMAGES OR SUCH DAMAGES COULD HAVE BEEN REASONABLY FORESEEN, IN CONNECTION WITH, ARISING OUT OF, OR AS A RESULT OF, THE SALE, DELIVERY, INSTALLATION, USE OR LOSS OF USE OF THE PRODUCT SOLD HEREUNDER, OR FOR ANY LIABILITY OF PURCHASER TO ANY THIRD PARTY WITH RESPECT THERETO AND TREX'S LIABILITY FOR NON-PERSONAL INJURY CLAIMS WITH RESPECT TO DEFECTIVE PRODUCT SHALL IN NO EVENT EXCEED THE REPLACEMENT OF SUCH PRODUCT OR REFUND OF THE PURCHASE PRICE, AS DESCRIBED ABOVE.

TABLE II

Year of Claim	Warranty Period		
	50 Year	35 Year	25 Year
11	90%	80%	80%
12	90%	80%	80%
13	90%	80%	80%
14	90%	80%	60%
15	90%	60%	60%
16	90%	60%	60%
17	70%	60%	40%
18	70%	60%	40%
19	70%	40%	40%
20	70%	40%	20%
21	70%	40%	20%
22	70%	40%	20%
23	50%	20%	10%
24	50%	20%	10%
25	50%	20%	10%
26	50%	20%	
27	50%	20%	
28	50%	20%	
29	30%	10%	
30	30%	10%	
31	30%	10%	
32	30%	10%	
33	30%	10%	
34	30%	10%	
35	30%	10%	
36	20%		
37	20%		
38	20%		
39	20%		
40	20%		
41	20%		
42	20%		
43	10%		
44	10%		
45	10%		
46	10%		
47	10%		
48	10%		
49	10%		
50	10%		

Copyright © 2026 Trex Company, Inc.

DECKING COLOR PALETTE



Our SunComfortable™ products with heat-mitigating technology are designed to be cooler than most other composite decking products of a similar color. Although engineered to be more comfortable, they can still get hot to the touch when direct sunlight and high temperatures converge for extended periods of time. On such days, care should be taken.



Boards with this symbol are Wildland Urban Interface (WUI) compliant, making them an excellent option for areas prone to wildfires.



FRONT:
 decking:
 Trex Signature®
 in Ocracoke (OC)
 railing:
 Trex Signature® X-Series™
 Cable Rail
 BACK:
 decking:
 Trex Transcend® Lineage®
 in Biscayne (BC)
 railing:
 Trex Signature® X-Series™
 Cable Rail

Trex®

DECKING | RAILING | LIGHTING | FASCIA | KITCHENS | FURNITURE | PERGOLA | DRAINAGE
 SPIRAL STAIRS | CORNHOLE | LATTICE | CLADDING | HIDDEN FASTENERS | FENCING

Visit [trex.com](https://www.trex.com) or call 1-800-BUY-TREX

FIND US ON



© 2026 Trex Company, Inc. All rights reserved. Trex®, the Trex logo, TrexPro®, Enhance®, Trex Select®, Transcend®, Lineage®, Trex Signature®, Trex® OutdoorLighting, and Trex Hideaway® are either federally registered trademarks, trademarks or trade dress of Trex Company, Inc., Winchester, Virginia or its licensees.