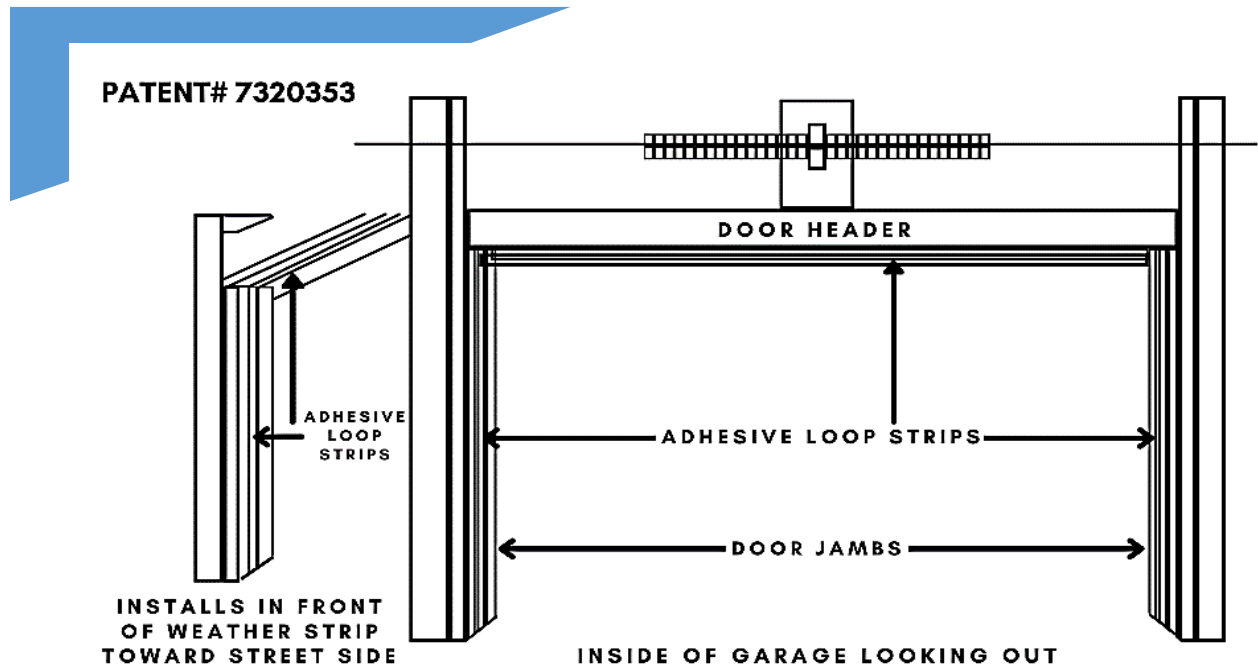


# Installation Instructions

## ROPE AND PULL KIT FOR MODEL D



### WHAT YOU WILL NEED:

#### INCLUDED:

- 1 FRESH AIR SCREEN
- 1 ROLL OF SELF-ADHESIVE LOOP STRIP
- MOUNTING BRACKETS (4 IN A SMALL KIT, 6 IN A LARGE KIT)
- EYELETS (6 IN A SMALL KIT, 8 IN A LARGE KIT)
- CORDS (4 IN A SMALL KIT, 6 IN A LARGE KIT | EACH WILL BE IN DIFFERENT LENGTHS)
- WOOD SCREWS (12 IN A SMALL KIT, 16 IN A LARGE KIT)
- 2 CLEATS

#### NOT INCLUDED:

- HAMMER
- PHILIPS SCREWDRIVER
- STEP LADDER
- 5/8" ROOFING NAILS (OPTIONAL FOR STEP 4)
- 3/4" PIPE (PVC RECOMMENDED) CUT TO THE WIDTH OF THE SCREEN (STEP 5)

**Use steps 1-4 to install your Fresh Air Screen. Use Steps 5-8 to install the Rope and Pull Kit. If you already have a Fresh Air Screen installed, skip to step 5.**

### **STEP 1**

Measure the height of the door jambs and the length of the header. Cut the self-adhesive loop roll into three strips equal to those measurements.

### **STEP 2**

Apply the Self-Adhesive Loop.

- Select an adhesive loop strip that was measured and cut for the door jambs in step 1. Align and press to seal the self-adhesive loop strip on one door jamb about 1" in front (street side) of the door stop/weather strip. Repeat this step for the other side.
- Add the last adhesive loop strip to the header, which should line up with the loop strips on both door jambs to create a smooth surface edge.

**Recommendation:** *Apply roofing nails (optional) to the adhesive loop strips for a more permanent hold. **DO NOT PUNCTURE THE SCREEN.** Replacement adhesive loop strips are available for purchase.*

### **STEP 3**

Start at an upper corner to attach the screen to the adhesive loop. Align the hook strip (sewn to the screen) to the adhesive loop strip (attached to the garage in step 2) and press firmly to connect the strips. Work your way across the header, then down each side of the frame.

### **STEP 4**

Insert a 3/4" rod into sewn pouch on bottom of screen to maintain position and shape when rolled up.

### **STEP 5**

Attach the **cleat**, using the wood screws, to the door jamb between the garage door and the screen, about 5' high on whichever side you will pull from.

### **STEP 6**

Install **eye screws**. All eye screws should go into the header on the inside of the screen approximately 1" away.

Eye Screw 1&2- Place one on each side, 6" from the center zipper

Eye Screw 7&8 (Large Kit only) Place one on each side of the screen, 1/3 of the length away from each end of the screen.

Eye Screw 3&4- Place one on each side, 12" in from the outside zipper

Eye Screw 5&6- Place one on each side, 6" from the outside zipper

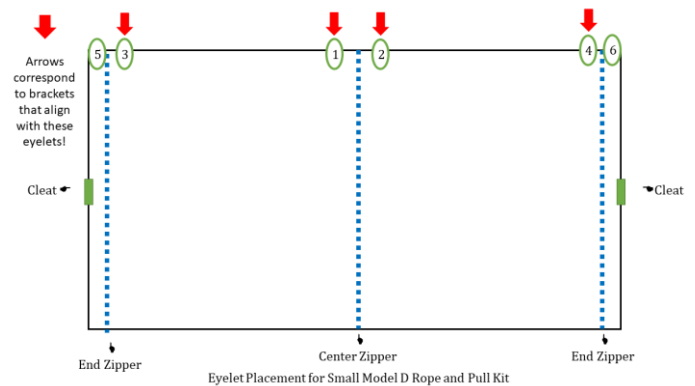
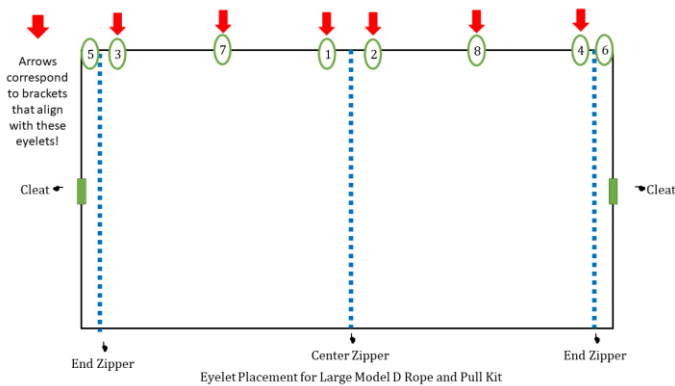
### **STEP 7**

Attach **brackets** to the header (street side) across from eye screws 1, 2, 3, and 4 (also across from eye screws 7 and 8 for large rope and pull kits)

### **STEP 8**

Insert the **cords** accordingly:

- **Long Cord #1-** Insert the knotted end into the bracket across from Eye Screw 1. Run the cord down the screen, then back up to Eye Screw 1. Run the cord through Eye Screws 1, 3, and 5, and down to the cleat.
- **Long Cord #2-** Insert the knotted end into the bracket across from Eye Screw 2. Run the cord down the screen, then back up to Eye Screw 1. Run the cord through Eye Screws 2, 4, &6, and down to the cleat.
  - **(Large Kits only) Mid Cord #1-** Insert the knotted end into the bracket across from Eye Screw 7. Run the cord down the screen, then back up to Eye Screw 7. Run the cord through Eye Screw 3 and 5, and down to the cleat.
- **Mid Cord #2 (large kits only)-** Insert the knotted end into the bracket across from Eye Screw 8. Run the cord down the screen, then back up to Eye Screw 8. Run the cord through Eye Screw 4 and 6, and down to the cleat. With the screen pulled all the way down, tie all cords together about 12" below the cleat and cut off any excess cord. Do for each side.
- **Short Cord #1-** Insert the knotted end into the bracket across from Eye Screw 3. Run the cord down the screen, then back up to Eye Screw 3. Run the cord through Eye Screw 3 and 5, and down to the cleat.
- **Short Cord #2-** Insert the knotted end into the bracket across from Eye Screw 4. Run the cord down the screen, then back up to Eye Screw 4. Run the cord through Eye Screw 4 and 6, and down to the cleat. With the screen pulled all the way down, tie all cords together about 12" below the cleat and cut off any excess cord. Do for each side.



For more information on installation and accessories, please visit [www.freshairscreens.com](http://www.freshairscreens.com).

Visit [www.freshairscreens.com/support](http://www.freshairscreens.com/support) for warranty information. Terms and Conditions apply.

**Consumer Warning:** This accessory contains ropes which may pose a strangulation hazard for children. This accessory is optional and removeable for child-proofing purposes. Consider using alternative models that do not contain ropes where children are present. Contains small parts. **\*Never leave children unattended; keep small parts from children.**