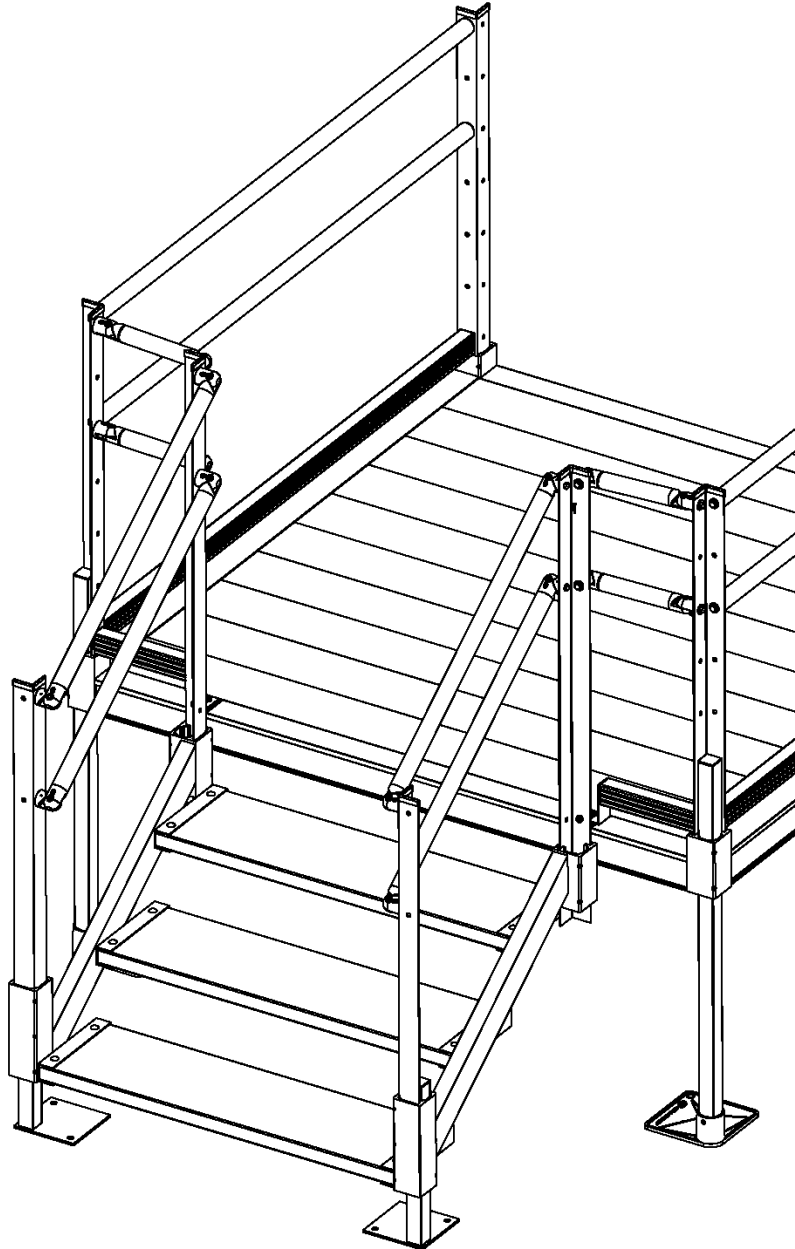


Assembly Manual

PATHWAY® 3G Aluminum Stair Kit

For use with PATHWAY 3G Platforms, as freestanding stairs, or with other structures.



Stair shown attached to a 5' x 5' PATHWAY 3G Platform

Patented Components.
LIFETIME WARRANTY. Please register at www.ezaccess.com/product-registration.
© EZ-ACCESS®, a division of Homecare Products, Inc. All rights reserved.
All text and images contained in this document are proprietary and may not be shared, modified, distributed, reproduced, or reused without the express written permission of EZ-ACCESS.



Manufactured in the USA

20971 REV 10-21-2025

INTRODUCTION

Throughout this manual, the term “stair” refers to the entire stair system and its compatibility with various components, including, but not limited to, platforms, ramps, handrails, gates, and any/all hardware.

SYMBOLS

- ⚠ The **WARNING** symbol indicates a potentially hazardous condition/situation. The safety warnings throughout this manual, and on your equipment, if any, are for the protection of people and property. Failure by any operator to abide by safety warnings will result in a waiver of all liabilities, loss of your warranty, and could result in equipment damage and or failure, property damage, risk of serious bodily injury, and or death. The symbol may appear in various colors and in conjunction with other symbols and with or without the written word “WARNING”.
- 👉 The **NOTE** symbol indicates important information. Failure to obey all notes could result in improper operation, less-than-optimum equipment performance, and at the sole discretion of the equipment manufacturer, may void your warranty. The symbol may appear in various colors and in conjunction with other symbols and with or without the written word “NOTE”.

WARNINGS

- ⚠ Maximum weight capacity is 850 lbs.; never exceed weight capacity.
- ⚠ Prior to assembly and use, read and follow all instructions, warnings, and labels. Following all instructions and obeying all warnings before and during use is necessary for safe operation. Do not remove labels. For additional information or to obtain copies of instructions or labels, call 1-800-451-1903.
- ⚠ For residential use only.
- ⚠ This product must be installed by a qualified installer and maintained as specified in this manual and per your applicable local codes.
- ⚠ If needed, use a qualified helper when using the stair; always use handrails.
- ⚠ Handrails are required and must be installed.
- ⚠ Only use components supplied by the manufacturer with the stair.
- ⚠ Before each use, check the stair for worn, loose, or damaged parts. If you find any of these conditions, do not use the stair and contact your installer for service or repairs. Failure to do so may result in serious injury.
- ⚠ Do not use the stair if it is damaged or unstable.
- ⚠ Do not tamper with, attempt to repair, or modify any portion of the stair.
- ⚠ Ensure that the landings the stair will be placed on are substantial and of sound construction.
- ⚠ Use only if the secure, unobstructed, level landings can support the weight capacity of the stair (850 lbs.).
- ⚠ Before each use, confirm the stair is secure, anchored, and assembled per the instructions. Contact your installer for any necessary adjustments.
- ⚠ Use only if sufficient maneuvering room is available at both ends of the stair to assure safe travel when entering and exiting the stair.
- ⚠ The stair may be slippery in wet conditions; use caution as traction may be reduced.
- ⚠ Before each use, remove ice, snow, dirt, leaves, and other debris on contact surfaces. Please refer to ‘MAINTENANCE AND SAFETY’ and ‘DEICING’ sections in the assembly manual for more information.
- ⚠ Do not lean on, walk on, or otherwise bear weight on the stair until assembly is complete.
- ⚠ Do not run, jump, or play on or around the stair.
- ⚠ Do not sit, stand, or climb on handrails or gates.
- ⚠ Do not place anything on, under, or attach anything to the stair, including, but not limited to, planters, lights, decorations, etc.
- ⚠ Improper use of the stair could result in serious injury.
- ⚠ Always exercise caution when handling, assembling, and or using the stair.
- ⚠ Aluminum conducts electricity. Do not use the stair during electrical storms or in proximity to damaged or exposed wiring.
- ⚠ Properly support and restrain the stair in transit or storage.
- ⚠ For additional care, usage, or general safety information, please call 1-800-451-1903.

USAGE NOTES

When properly anchored, the PATHWAY 3G Stair may be used as a freestanding stair. The PATHWAY 3G Stair may also be attached to existing platforms, decks, or other suitable structures.

INSTALLATION/CONFIGURATION WARNING

The PATHWAY 3G Aluminum Stair Kits are available in three basic configurations: freestanding stairs with back legs, stairs with a 4' x 4' platform, and stairs with a 5' x 5' platform. Each configuration is available with 1-7 stair treads (see 'CONFIGURATIONS CHART' below) to accommodate a range of rises, and features solid surface tread and Two-Line handrails.

- ▲ Installing the PATHWAY 3G Stair in any non-compliant configuration, or rise, may result in an unsafe situation and/or installation being rejected by your local inspector or Authority Having Jurisdiction (AHJ). Always check your local codes and assemble in compliance.

CONFIGURATIONS CHART (SEE 'INSTALLATION/CONFIGURATION WARNING' ABOVE)			
Description (w/ Recommended Rises)	Number of Treads	Rise: Code Compliant	Rise: Non-Compliant
EZ-ACCESS PATHWAY 3G STAIR SYSTEM 8"-14"	1	8"-14"	8"-17.375"
EZ-ACCESS PATHWAY 3G STAIR SYSTEM 15"-21"	2	15"-21"	15"-24.375"
EZ-ACCESS PATHWAY 3G STAIR SYSTEM 22"-28"	3	22"-28"	22"-31.375"
EZ-ACCESS PATHWAY 3G STAIR SYSTEM 29"-35"	4	29"-35"	29"-38.375"
EZ-ACCESS PATHWAY 3G STAIR SYSTEM 36"-42"	5	36"-42"	36"-45.375"
EZ-ACCESS PATHWAY 3G STAIR SYSTEM 43"-49"	6	43"-49"	43"-52.375"
EZ-ACCESS PATHWAY 3G STAIR SYSTEM 50"-56"	7	50"-56"	50"-59.375"

TOOLS AND HARDWARE TYPICALLY REQUIRED

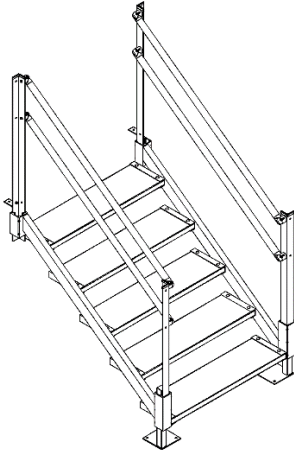
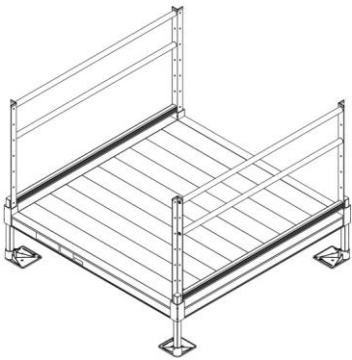
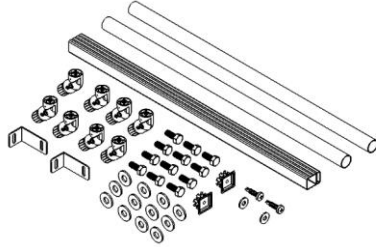

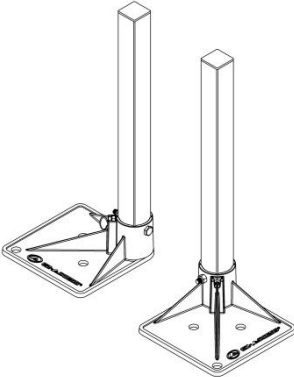
- ✓ RATCHET WITH 1/2" DEEP WELL SOCKET OR 1/2" WRENCH
- ✓ 5/16" SOCKET OR 5/16" WRENCH
- ✓ 1/8" DRILL BIT
- ✓ 3/16" ALLEN WRENCH
- ✓ #2 PHILLIPS HEAD SCREWDRIVER OR SIMILAR TOOL
- ✓ 25' TAPE MEASURE
- ✓ BOX KNIFE
- ✓ LEVEL
- ✓ RUBBER Mallet
- ✓ FILE
- ✓ POWER DRILL

TABLE OF CONTENTS

SECTION 1: BASIC STAIR COMPONENTS.....	4
SECTION 2: ASSEMBLING THE PLATFORM	5-8
SECTION 3: ASSEMBLING THE RISER	9-10
SECTION 4: ASSEMBLING THE STAIR LEGS AND HANDRAILS	10-11
SECTION 5: INSTALL BACK SUPPORT LEGS ON A FREESTANDING STAIR.....	12-13
SECTION 6: ATTACH STAIR TO A PATHWAY 3G PLATFORM	14-17
SECTION 7: INSTALLING THE PLATFORM TO STEP CLOSURE TWO-LINE HANDRAIL	18-19
SECTION 8: MAINTENANCE AND SAFETY	20
SECTION 9: DEICING	20

1. BASIC STAIR COMPONENTS

1.1. Because of varying sizes/configurations, your stair kit may not contain all of these basic components. Identify your stair components before you begin assembly.

PATHWAY 3G STAIR (1-7 TREADS)	
 <p style="text-align: center;"><i>PATHWAY 3G Stair System 36"-42" (shown without back support legs and feet)</i></p>	
PATHWAY 3G PLATFORM WITH TWO-LINE HANDRAILS, SUPPORT LEGS, AND BASE FEET (4' x 4' OR 5' x 5' PLATFORM)	PPSCTL PLATFORM TO STEP CLOSURE TWO-LINE HANDRAIL
 <p style="text-align: center;"><i>5' x 5' Platform with Two-Line Handrails, Support Legs, and Base Feet shown in the straight configuration</i></p>	 <p>This closure kit is provided with configurations that feature a 5' x 5' platform and is designed to connect the stair handrails to the platform handrails. The supplied 36" handrail tubes and curb are trimmed to length during installation.</p>
PUAB UNIVERSAL ANGLE BRACE	PSSxxx BASE FEET AND LEG PAIRS
 <p>The universal angle brace is used for platform surfaces over 36" high. Angle braces come in pairs. Use four pairs per platform (one pair per support leg, or side).</p>	 <p>The back support legs and base feet are included in the freestanding stair kits. (xxx DENOTES RESPECTIVE STAIR RISE)</p>

2. ASSEMBLING THE PLATFORM

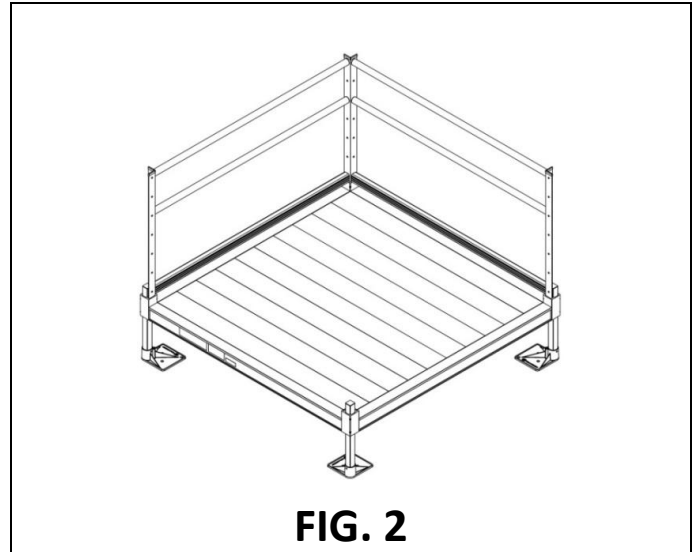
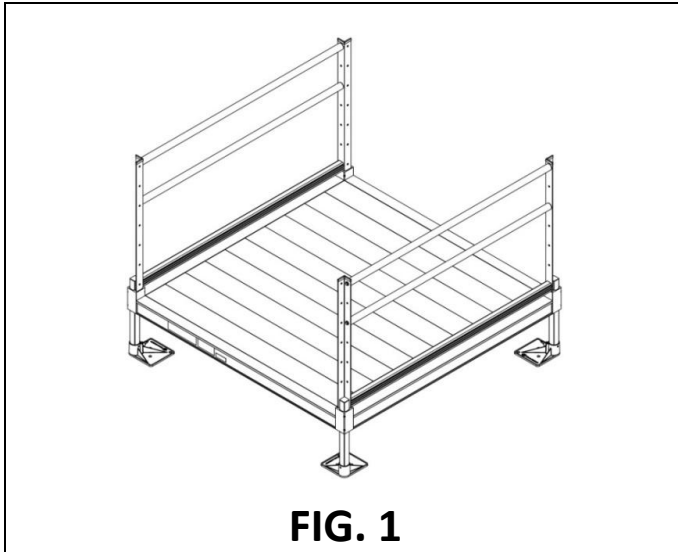
2.1. INSTALL PLATFORMS

- ✎ If your configuration does not include a platform, skip to 'ASSEMBLING THE RISER'.
- ✎ Platform handrails are shown for clarity on how to orient platforms in various configurations. Platforms can be configured to direct entry to the left, right, or straight ahead, depending on your specific needs. It is strongly suggested that the platform be fully assembled before installing handrails (see 'INSTALL PLATFORM HANDRAILS').

2.1.1. There are two platform arrangements.

FIG. 1 Straight

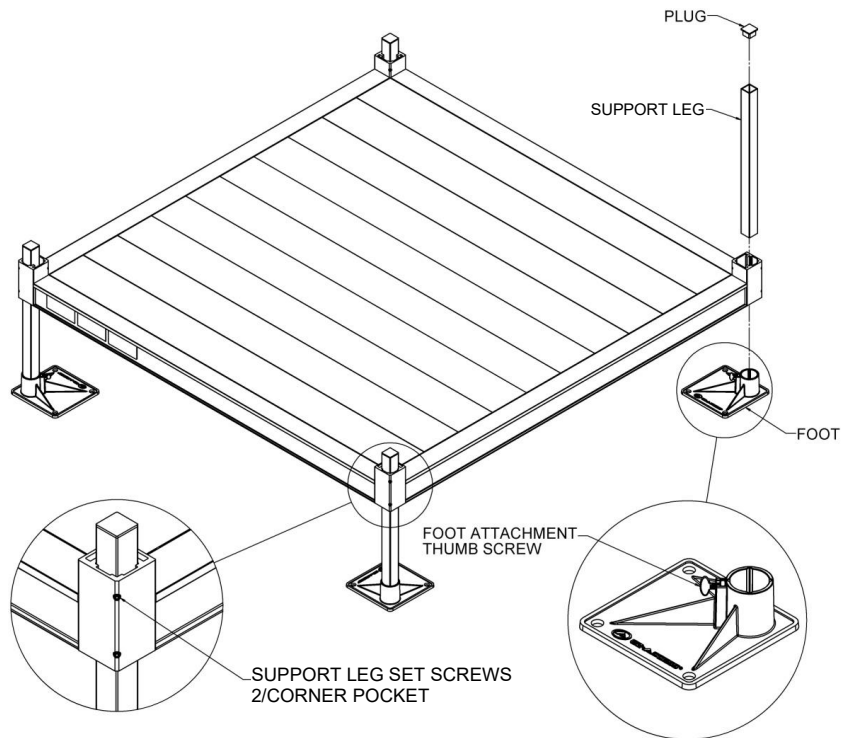
FIG. 2 Turn



2.2. INSTALL SUPPORT LEGS AND FEET, THEN ADJUST PLATFORM HEIGHT

- ✎ Support legs, plugs, and base feet come in pairs.
- 2.2.1. Use a 3/16" Allen wrench to loosen all set screws in the platform corner pockets.
 - 2.4.2.3. The set screws on the outside of the platform are for the platform support legs.
 - 2.4.2.4. The set screws on the inside of the platform (one above the deck and one below the deck) are for the handrail posts.
- 2.2.2. Tip the platform on its side, then slide the support legs into the four platform corner pockets (FIG. 3). Adjust the support legs to the approximate platform height needed. Trimming the support legs is optional and can be done for aesthetic reasons if shorter lengths are desired.
 - ⚠ Using a metal file, smooth any sharp edges from the trimming.
- 2.2.3. Use a 3/16" Allen wrench to tighten the upper of the two set screws in the corner pocket, just enough to hold the support leg in place, but do not overtighten (the second set screw will be tightened after final height adjustments are complete).
 - ⚠ Do not attempt to walk on the platform until all support leg set screws have been tightened securely.
- 2.2.4. Place the platform (with support legs attached) into the upright position.
 - ⚠ Do not let the weight of the platform bear on the support legs while tipping the platform upright.

FIG. 3



2.2.5. Lift each corner of the platform and install a base foot (“foot”) on each support leg oriented so that the foot extends under the platform (FIG. 3).

✎ The feet can be oriented in other directions if necessary due to site conditions, but may present a tripping hazard if not oriented under the platform.

⚠ It is the installer’s responsibility to install the system in a manner that is safe for the people on and around the system and clearly mark any hazards created by the installation.

2.2.6. Make sure each foot is fully engaged on the leg and tighten the thumb screw securely.

✎ If installing on soft soil, it may be necessary to set the foot on a concrete pad.

2.2.7. Adjust the final height of the platform by adjusting the legs, one at a time, by loosening the outer set screws in the platform corner pockets. Using a level, adjust the platform height and re-tighten.

2.2.8. Once the final height has been adjusted, tighten the second, lower set screw in each platform corner pocket.

2.2.9. To allow access to the lowermost hole in the platform post, the support leg must not extend more than 1/2” above the platform corner pockets. Trim the support leg as needed before installing plugs.

2.2.10. Insert a plug into the top of each support leg. Use a rubber mallet or similar tool as needed (FIG. 3).

2.2.11. Ensure all set screws are tightened securely.

2.3. INSTALL UNIVERSAL ANGLE BRACE – PLATFORMS

✎ For added stability, any platform with a walking surface over 36” high requires bracing. The Universal Angle Brace is used for all surfaces with an elevation over 36”.

2.3.1. Universal Angle Braces (“braces”) come in pairs. Use four pairs per platform (one pair per support leg, or side).

2.3.2. Use two brace bands to secure the ends of the two braces nearest the twist to the support leg using a 5/16” bolt, flat washer, and nut (FIG. 4).

2.3.3. Opposite ends of the braces are attached to the bottom of the platform side rail at 90 degrees to each other using a 1/4” x 1” long self-drilling screw (FIG. 4).

⚠ Ensure that all braces are secured before using the platform.

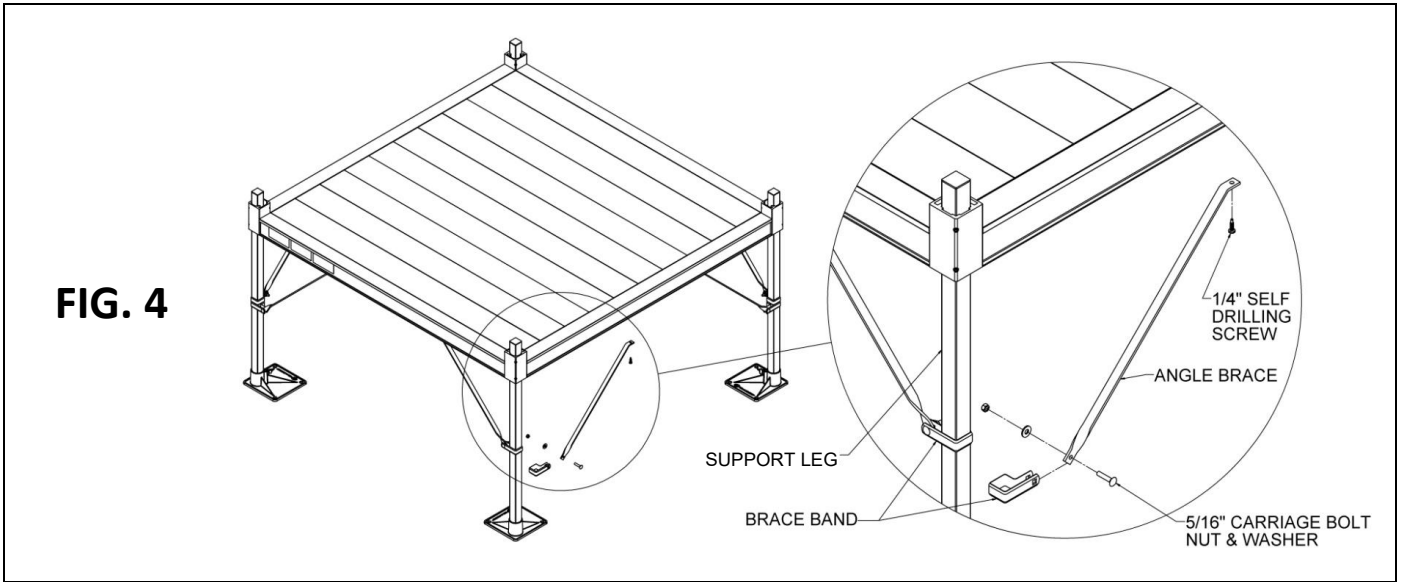


FIG. 4

2.4. INSTALL PLATFORM HANDRAILS

2.4.1. Two-line handrails can be configured for left, right, or straight entry. It is strongly recommended that the bolts be assembled loosely and not fully tightened until all have been installed and the handrail has been installed on the platform.

2.4.2. INSTALL PLATFORM HANDRAILS ON A STRAIGHT CONFIGURATION

2.4.2.1. Using the holes shown (FIG. 5), pre-assemble the platform handrail for both sides by inserting a 5/16"-18 x 1" hex bolt through a 5/16" flat washer, the angle post, and into a 5/16"-18 round threaded insert in the handrails and curb. Make sure the unattached legs of the angle posts are on the same side with respect to the handrail tubes and curb, and pointing outward (FIG. 5).

2.4.2.2. Drop platform handrails into the corner pockets (FIG. 6). The curb should rest on top of the corner pocket.

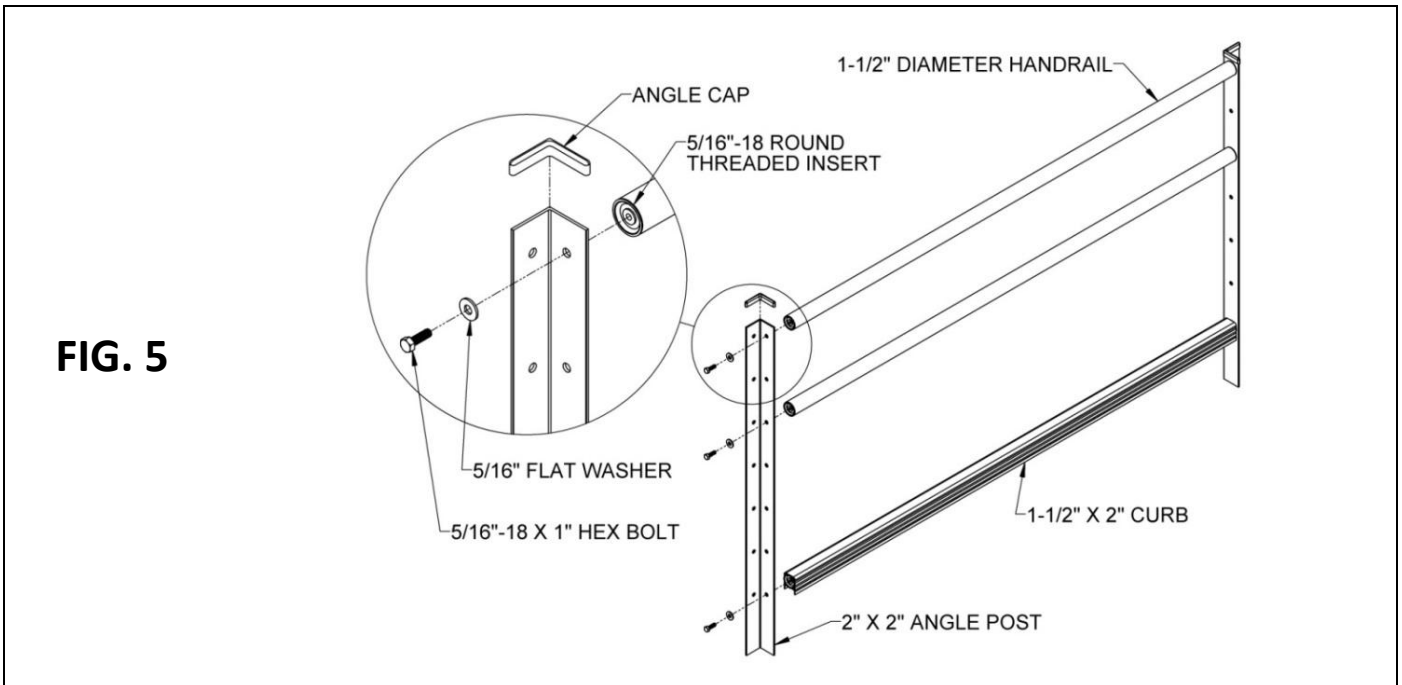
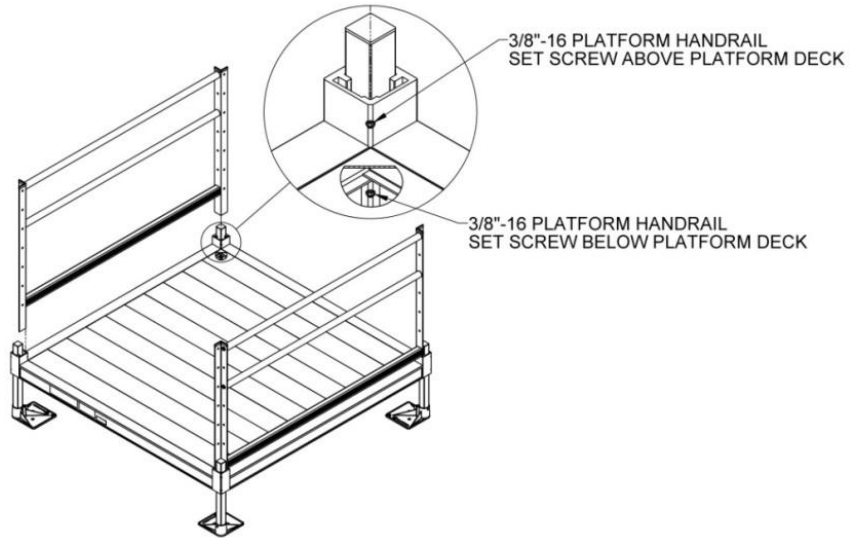


FIG. 5

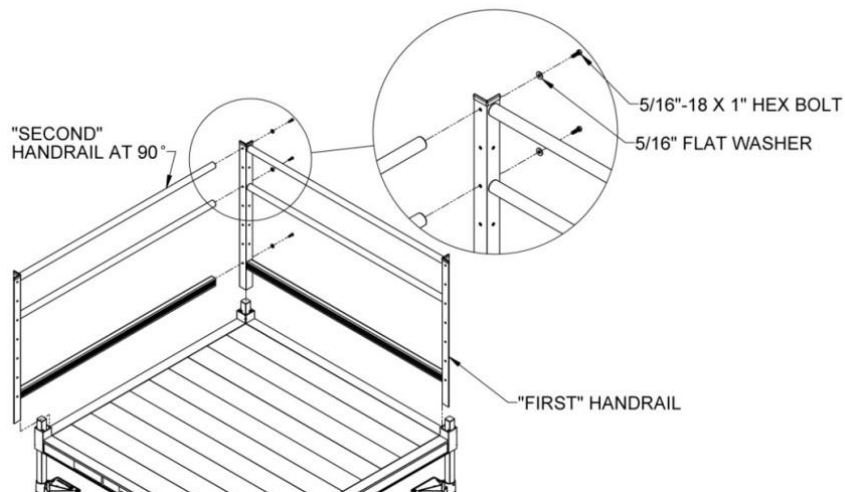
FIG. 6



2.4.3. INSTALL PLATFORM HANDRAILS ON A TURN CONFIGURATION

- 2.4.3.1. Using the holes shown (FIG. 5), pre-assemble the platform handrail for the "first" handrail by inserting a 5/16"-18 x 1" hex bolt through a 5/16" flat washer, the angle post, and into a 5/16"-18 round threaded insert in the handrails and curb. Make sure the unattached legs of the angle posts are on the same side with respect to the handrail tubes and curb, and pointing outward (FIG. 7).
- 2.4.3.2. For the "second" handrail, only assemble one angle post as described above, paying attention to how it will connect to the "first" handrail so the angle post will be oriented correctly.
- 2.4.3.3. Drop the "first" handrail into the corner pockets (FIG. 7). The curb should rest on top of the corner pocket.
- 2.4.3.4. For the "second" handrail, insert the angle post into a corner pocket at 90 degrees from the "first" handrail, then install a 5/16"-18 x 1" long hex bolt through a 5/16" flat washer, the angle post in the "first" handrail, and into a 5/16"-18 threaded inserts in the "second" handrail and curb (FIG. 7). Tighten all fasteners securely.

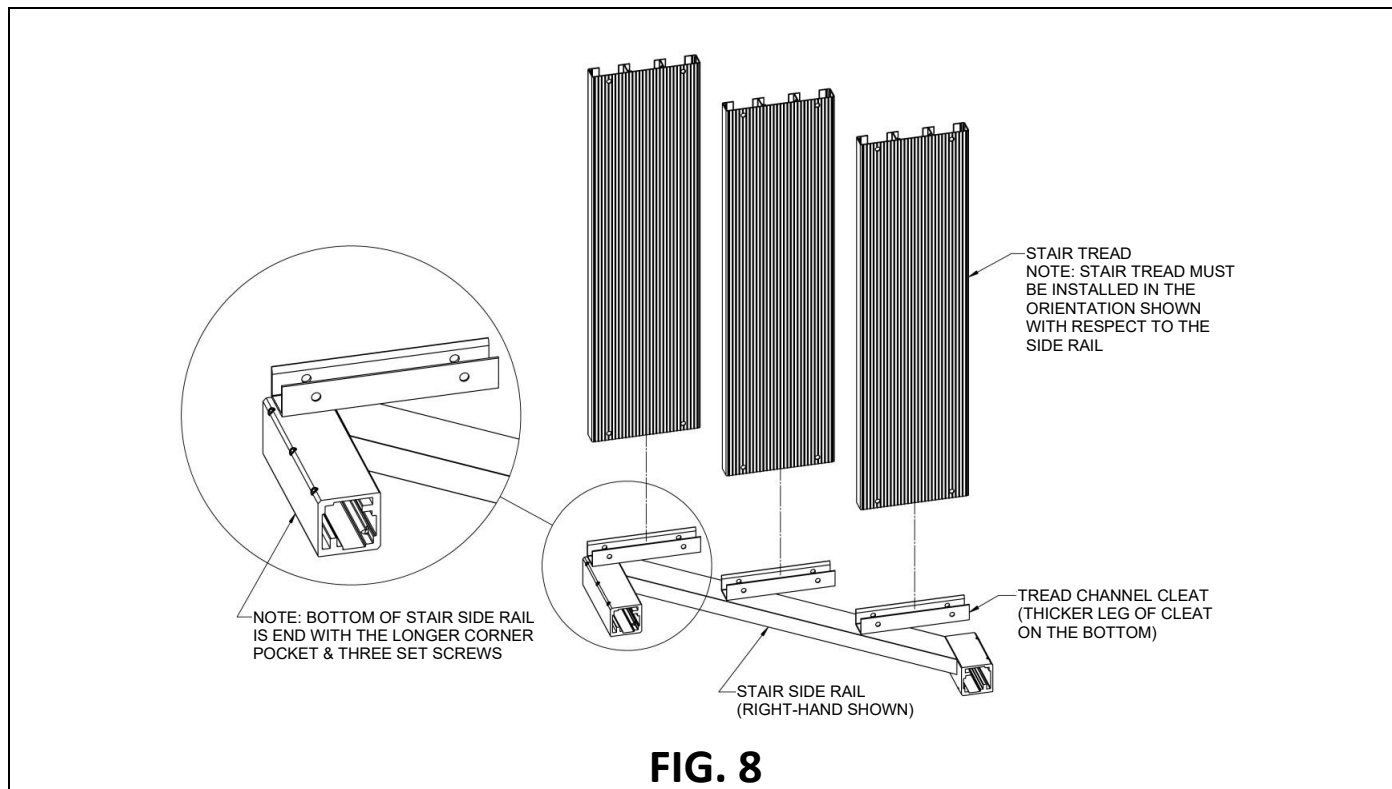
FIG. 7



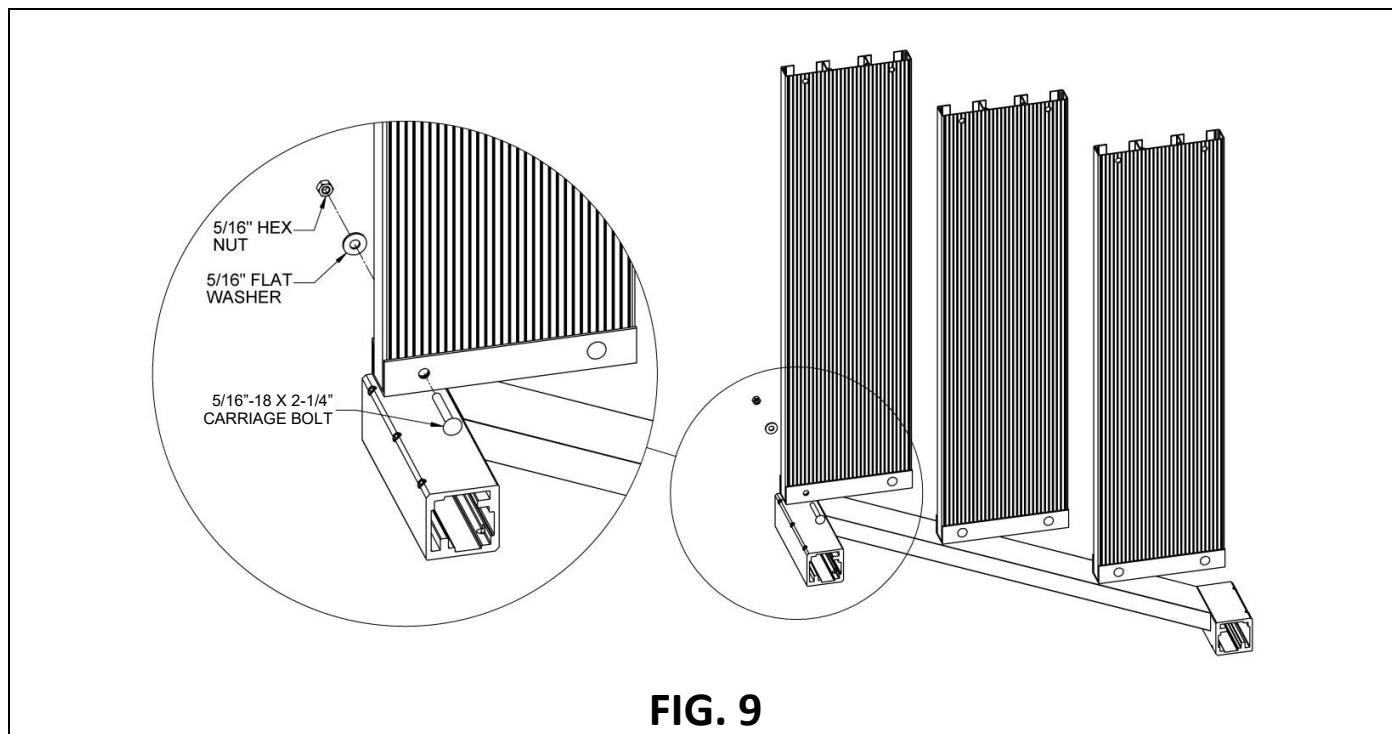
- 2.4.4. Tighten two set screws on the inside of each platform corner pocket. One set screw is located above the platform deck, and the other is underneath (FIG. 6).
- 2.4.5. Install an angle cap on top of each handrail post. Use construction adhesive to bond the cap in place (FIG. 5).
- 2.4.6. Ensure all fasteners are tightened securely.

3. ASSEMBLING THE RISER

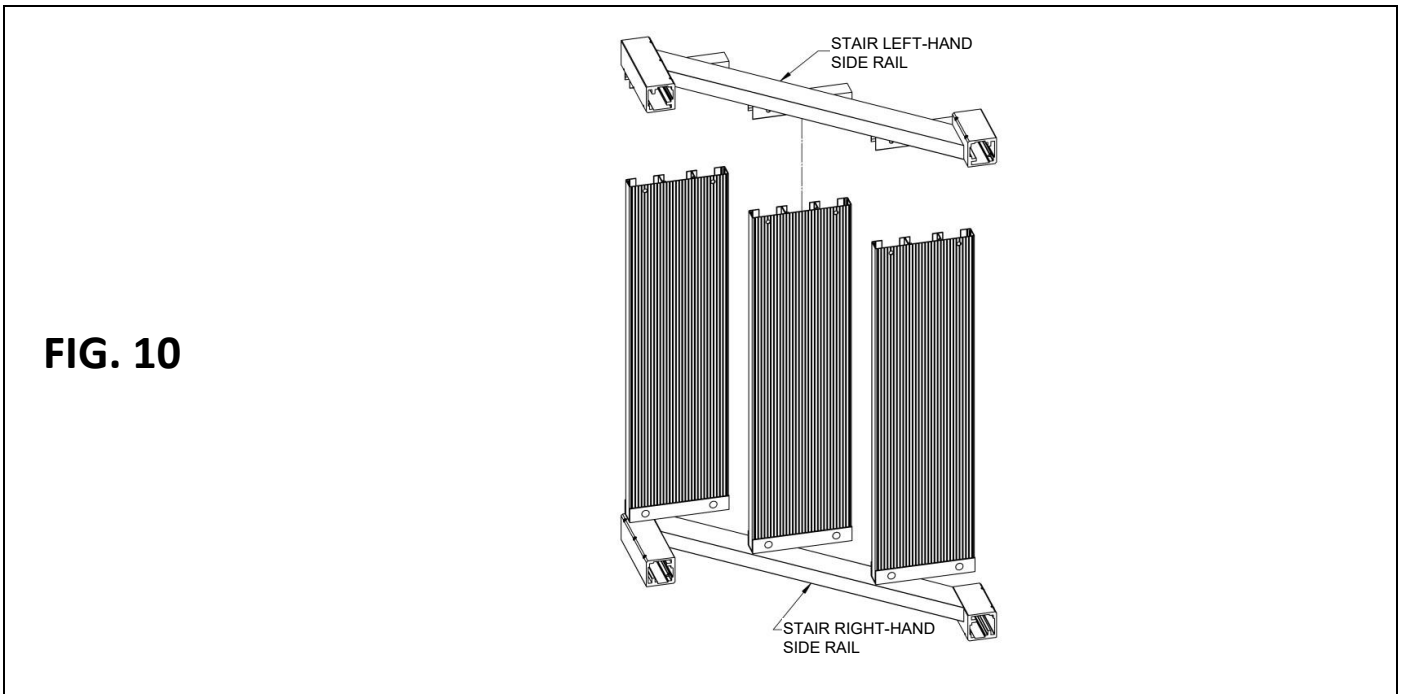
- 3.1. Lay the right-hand stair side rails flat with tread channel cleats pointing up and insert the treads into the channel cleats. Place on cardboard or another suitable surface to avoid scratching the side rail. Make sure the tread is positioned with the traction ridges oriented upward. Use a rubber mallet if needed to tap the tread into the tread channel cleat until the holes in the cleat line up with the holes in the stair tread (FIG. 8).



- 3.2. Install 5/16"-18 x 2-1/4" carriage bolts in the holes through the top side of the right-hand channel cleats. Use a rubber mallet to sink carriage bolts into holes. Install 5/16" washers and nuts onto the carriage bolts on the bottom side of the channel cleats, but do not tighten fully yet (FIG. 9).



- 3.3. Set the left-hand side rail on the treads and tap into place until the holes in the channel cleat line up with the holes in the tread (FIG. 10).

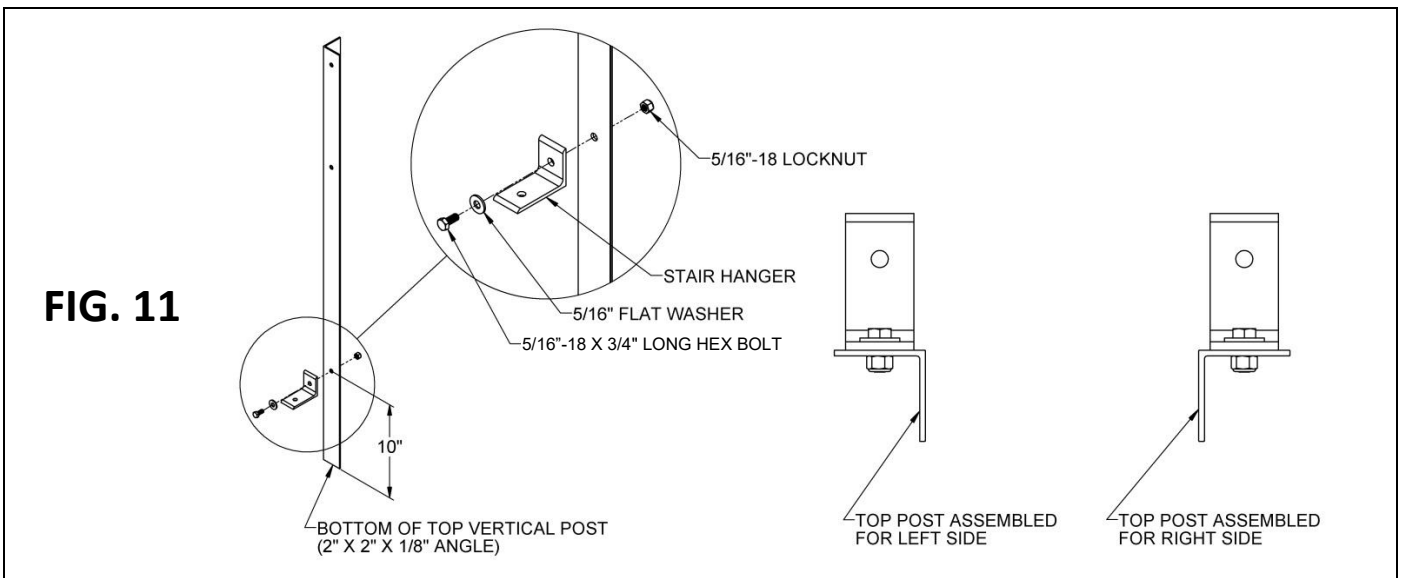


- 3.4. Install 5/16"-18 x 2-1/4" carriage bolts with nuts and washers in the left-hand side rail and through the tread, as described in step 3.2.
- 3.5. After all carriage bolts, nuts, and washers are installed, tighten nuts using a ratchet with a 1/2" socket or a 1/2" wrench. Tighten nuts until the channel cleat clamps onto the tread slightly. NOTE: Some deformation in the channel cleat by the carriage bolt is normal.

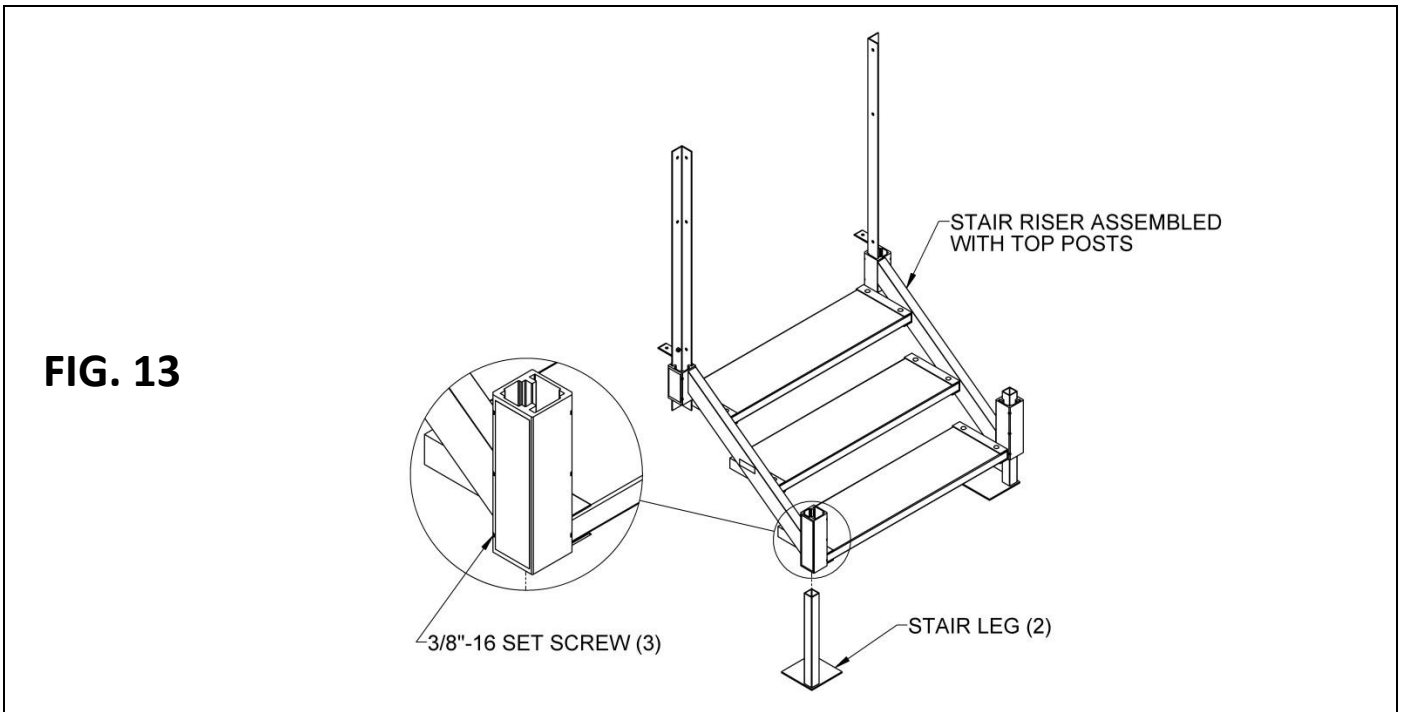
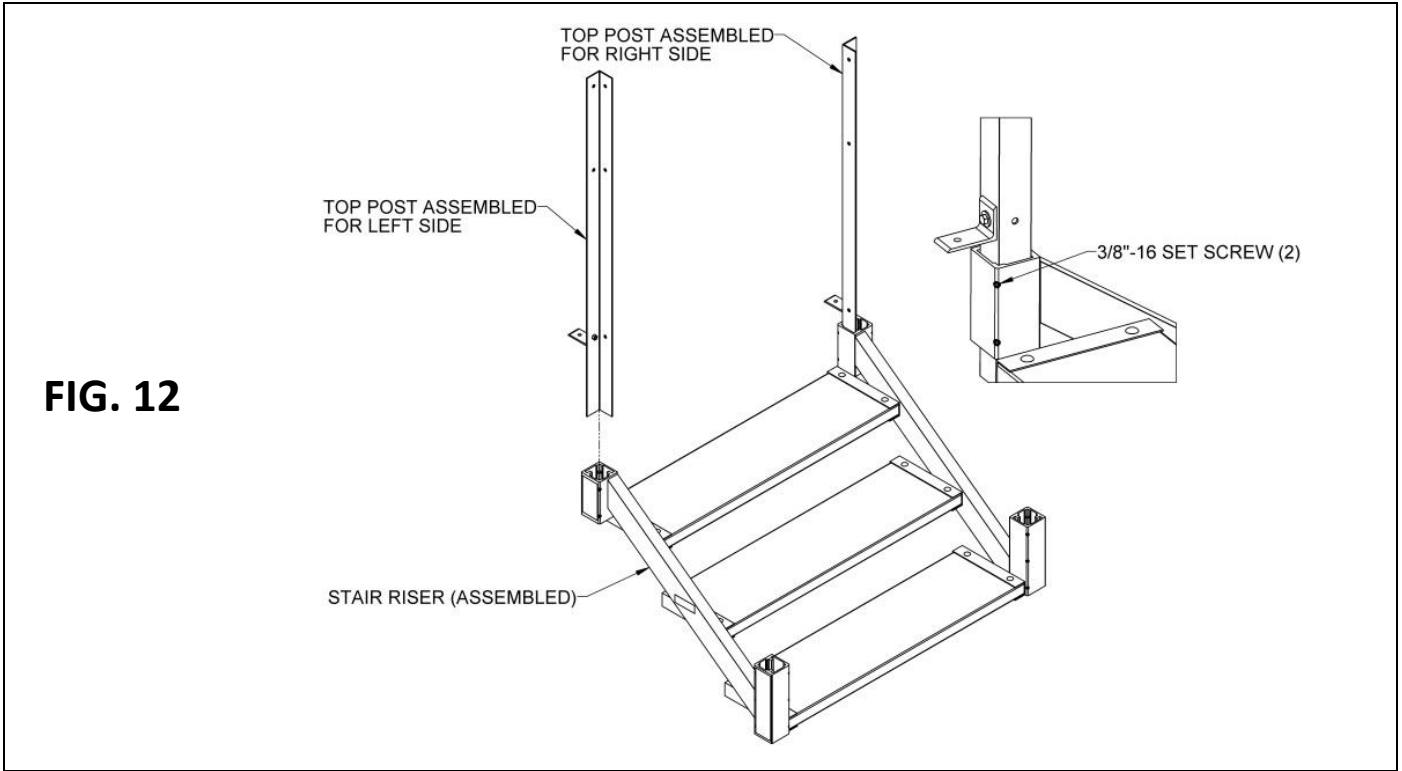
4. ASSEMBLING THE STAIR LEGS AND HANDRAILS

- 4.1. Assemble the stair hangers to the top vertical posts. The top vertical post is the post with six 3/8" holes; the bottom vertical post only has four. Attach the stair hanger to the hole 10" from the bottom using the 5/16"-18 x 3/4" long hex bolt, 5/16"-18 locknut, and 5/16" flat washer supplied. Orient the stair hanger as shown with the short leg attached to the post and the long leg oriented toward the bottom, then tighten fasteners securely (FIG. 11).

👉 The top vertical posts are universal, but stair hangers must be assembled on opposite sides to create posts for the left and right sides of the stairs.



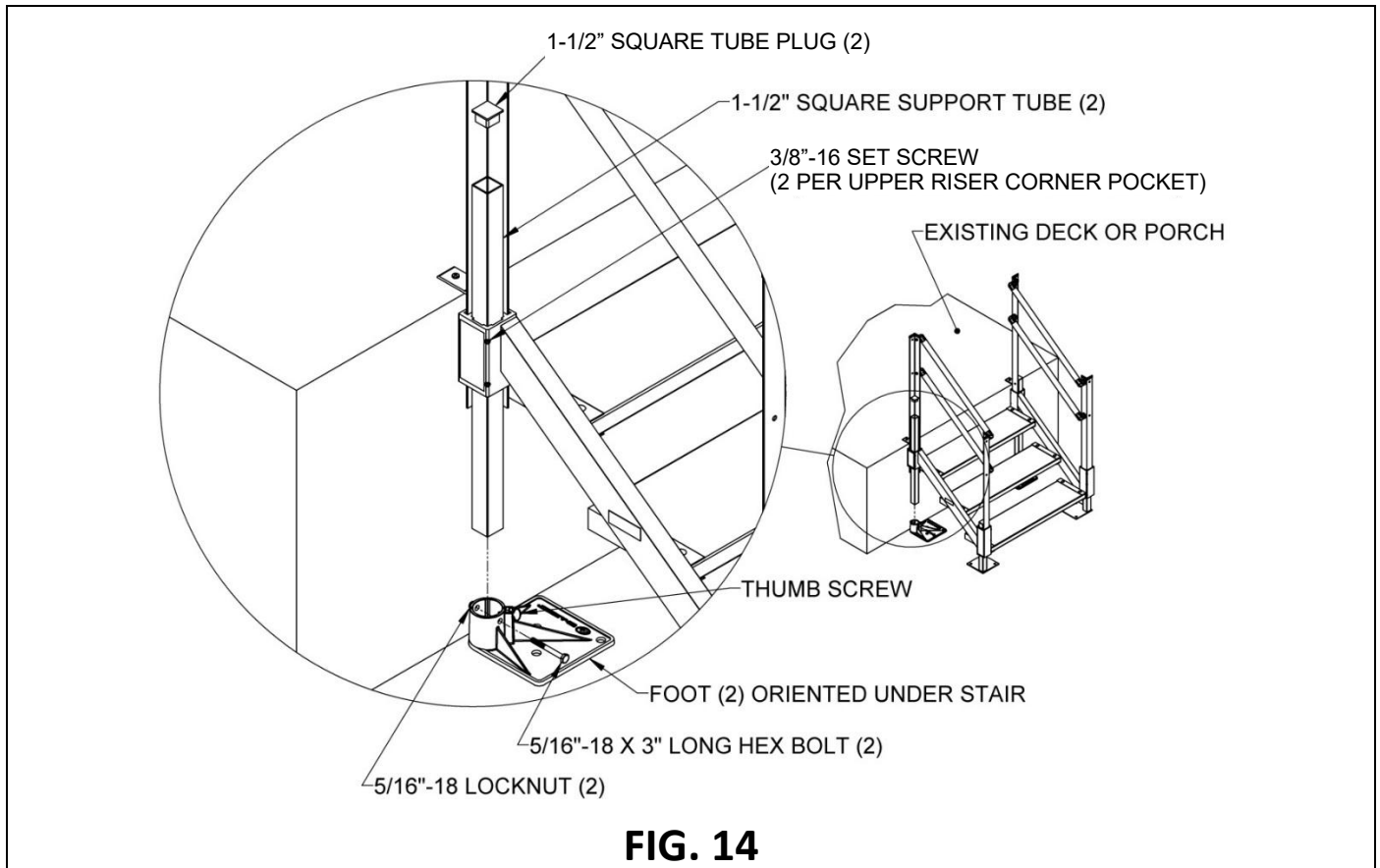
- 4.2. Insert the top vertical posts into each top corner pocket with the stair hanger oriented away from the riser. Tighten one 3/8"-16 set screw in each top corner pocket (FIG. 12).
- 4.3. Insert legs in the bottom corner pockets so that the square base foot is oriented under the riser as shown. Tighten one 3/8"-16 set screw on each bottom corner pocket (FIG. 13).



5. INSTALL BACK SUPPORT LEGS ON A FREESTANDING STAIR

✎ If your stair kit includes a 4' x 4' or 5' x 5' PATHWAY 3G Platform, skip to 'ATTACH STAIR TO A PATHWAY 3G PLATFORM'.

- 5.1. Installation of PATHWAY 3G Stair System Leg Pairs (PSSxxxx, where xxxx denotes the stair rise) at the top is similar to installing the stair leg at the bottom, but the components are not welded assemblies. First, insert the 1-1/2" square support tube through the open area in the upper riser corner pocket and into the foot. The foot should be oriented under the stair as shown (FIG. 14).

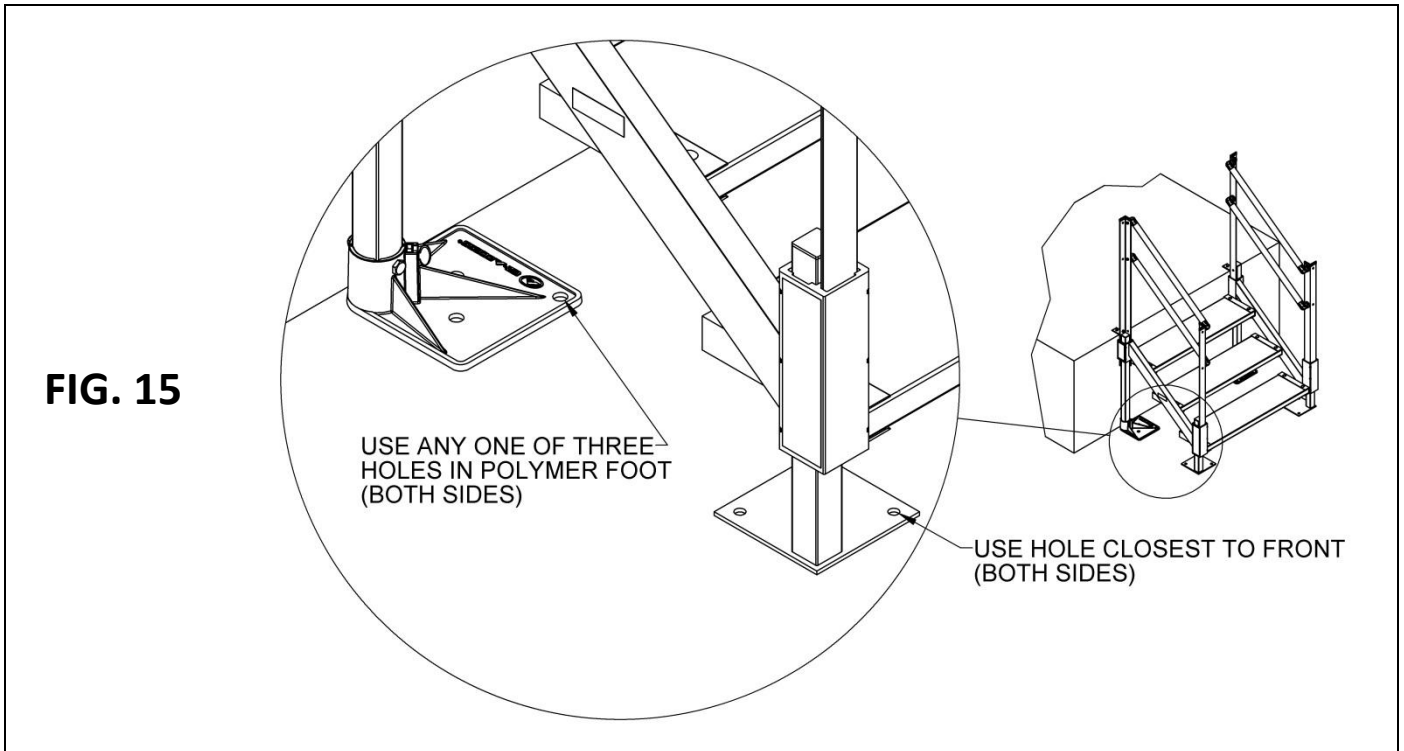


- 5.2. Tighten the thumb screw in the foot.
- 5.3. Use the hole in the foot as a template to drill an 11/32" or 3/8" hole through the support tube, and secure the foot to the support tube using a 5/16"-18 x 3" long hex bolt and 5/16"-18 locknut.
⚠ You must install the nut and bolt listed in step 5.3 above, or a dangerous situation may result.
- 5.4. Tighten the 3/8"-16 set screws in the riser corner pocket securely (FIG. 14).
- 5.5. Insert a 1-1/2" square tube plug into the top of each support tube.
- 5.6. Repeat steps 5.1 to 5.5 on the opposite side.

5.7. FREESTANDING STAIR USE AND INSTALLATION

⚠ Before each use, confirm the stair is secure, anchored, and assembled per the instructions.

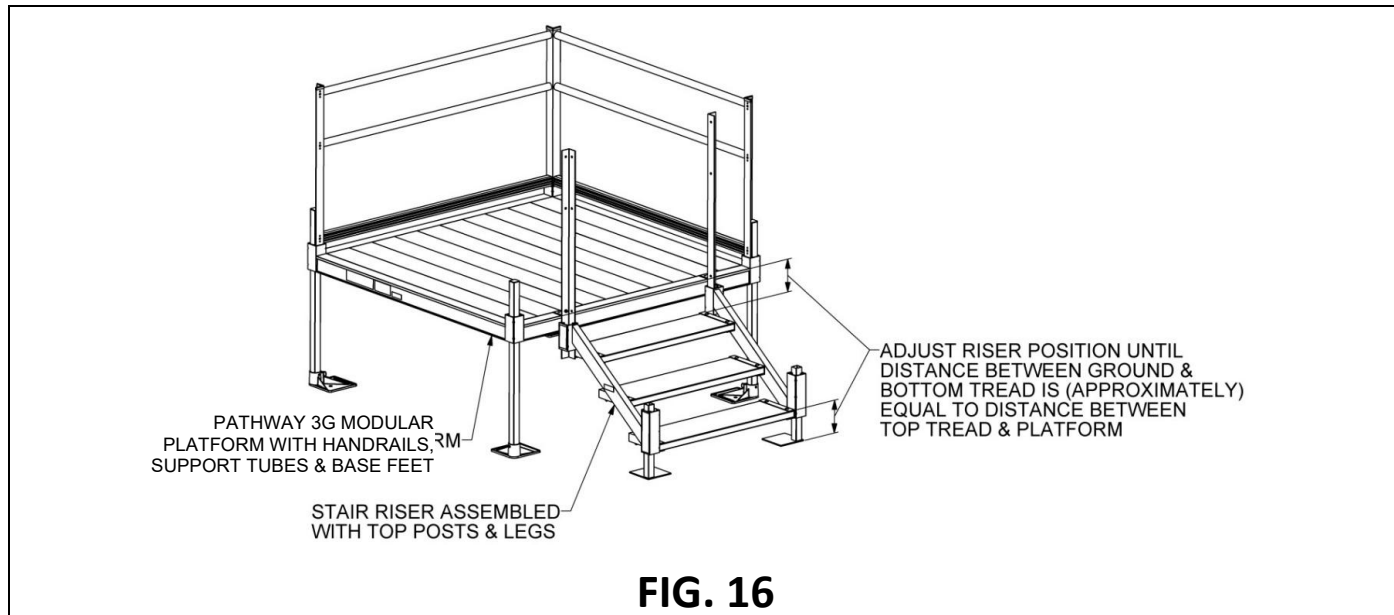
- 5.7.1. If the PATHWAY 3G Stair is freestanding (i.e., not attached to a platform, deck, or porch), all four feet (two at the bottom and two at the top) of the stair must be securely anchored (anchors not provided). Select the appropriate anchor for the ground condition where the stair is installed. Use the holes closest to the front of the stair for the two bottom feet and any one of the three holes in the polymer foot at the top (FIG. 15).



6. ATTACH STAIR TO A PATHWAY 3G PLATFORM

✎ If your stair kit does not include a 4' x 4' or 5' x 5' PATHWAY 3G Platform, skip to 'MAINTENANCE AND SAFETY'.

- 6.1. Hang the stair assembly on the platform in the desired location. Adjust the vertical position of the riser on the legs and top posts by loosening and retightening the 3/8"-16 set screws in the riser corner pockets until the distance from the bottom tread to the ground is approximately the same distance from the top tread to the platform walking surface, and the stair treads are level. After the riser has been positioned and leveled, tighten all set screws in the corner pockets securely (FIG. 16).

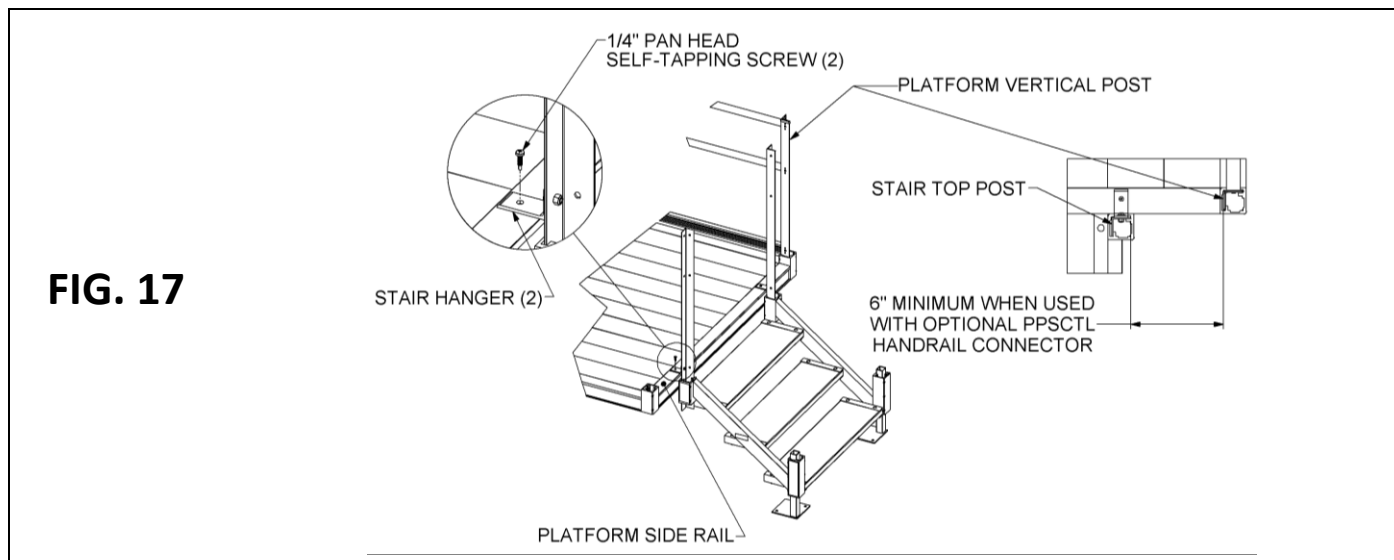


- 6.2. Make sure the stair assembly is positioned flush against the platform side rail and use the holes in the stair hanger tabs as a template to drill 1/8" holes through the top wall of the side rail (FIG. 17).

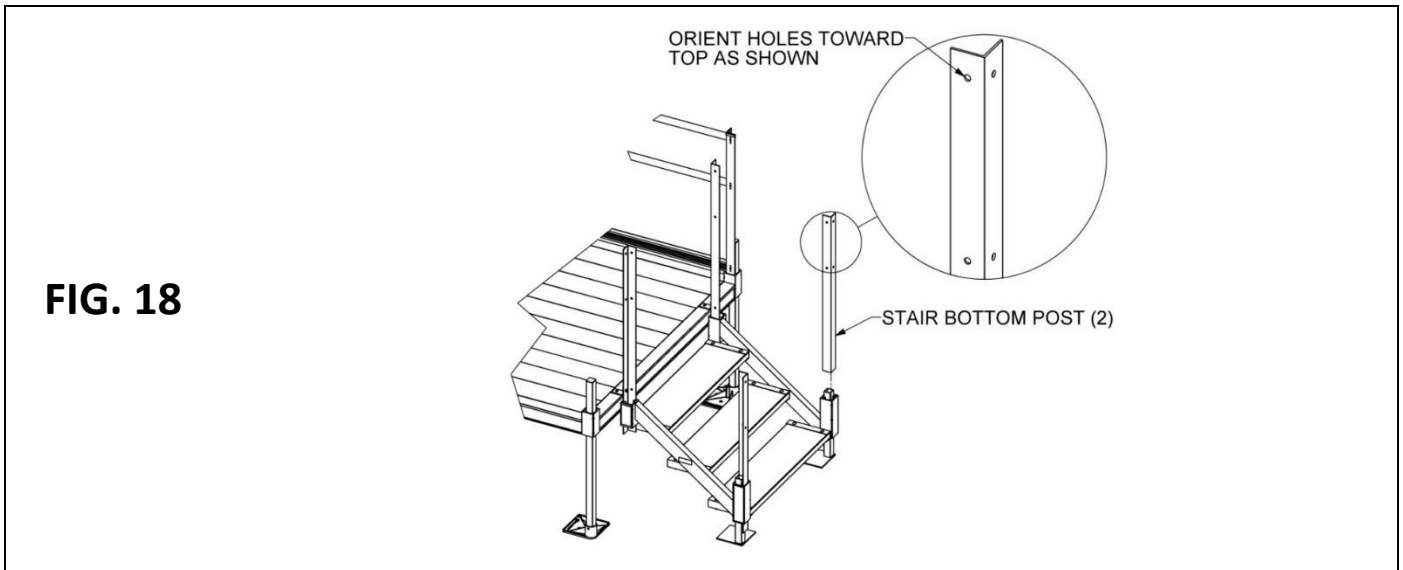
- 6.2.1. If using a Platform to Step Closure Two-Line Handrail (PPSCTL), refrain from securing the stair hanger until installation of the closure (refer to step 7.13).

✎ If the stair will be used with a Platform to Step Closure Two-Line Handrail (PPSCTL), a minimum of 6" is required between the platform vertical post and stair top post.

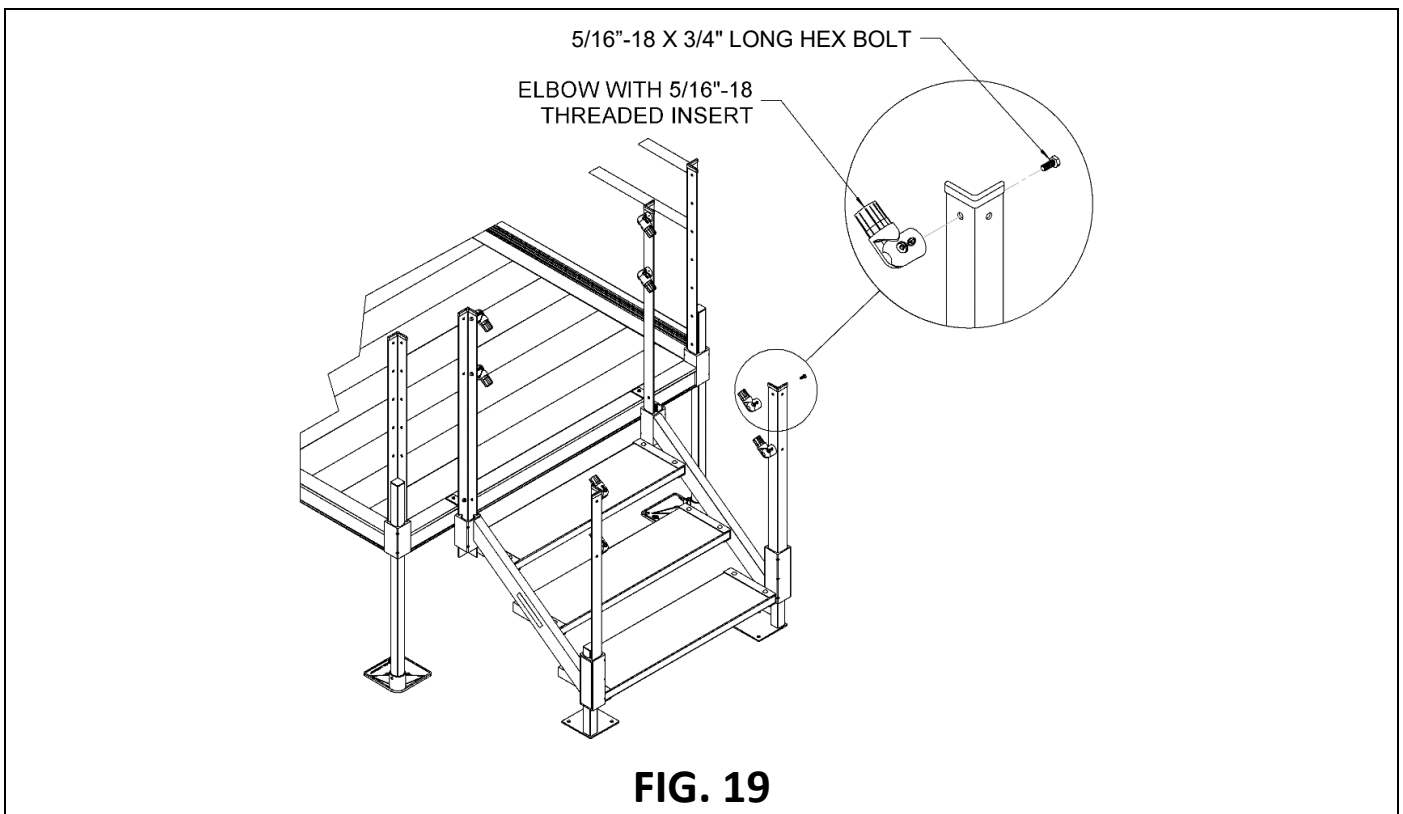
- 6.2.2. If not using a Platform to Step Closure Two-Line Handrail (PPSCTL), proceed to fasten the stair assembly to the platform using the two provided 1/4"-20 x 1" pan head self-tapping screws (FIG. 17).



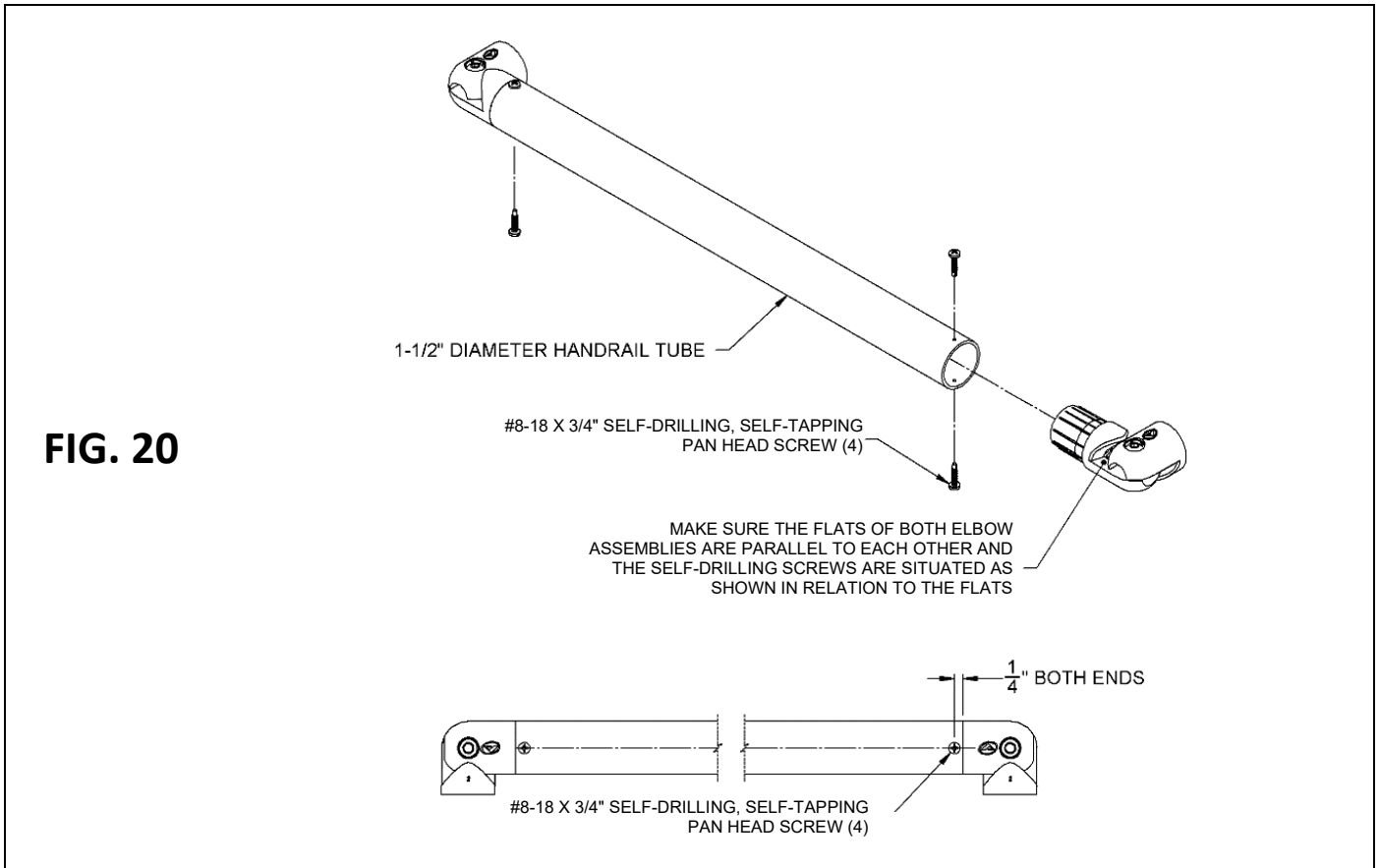
- 6.3. Insert the stair bottom posts into the bottom corner pockets with the holes oriented toward the top (FIG. 18). DO NOT tighten set screws yet.



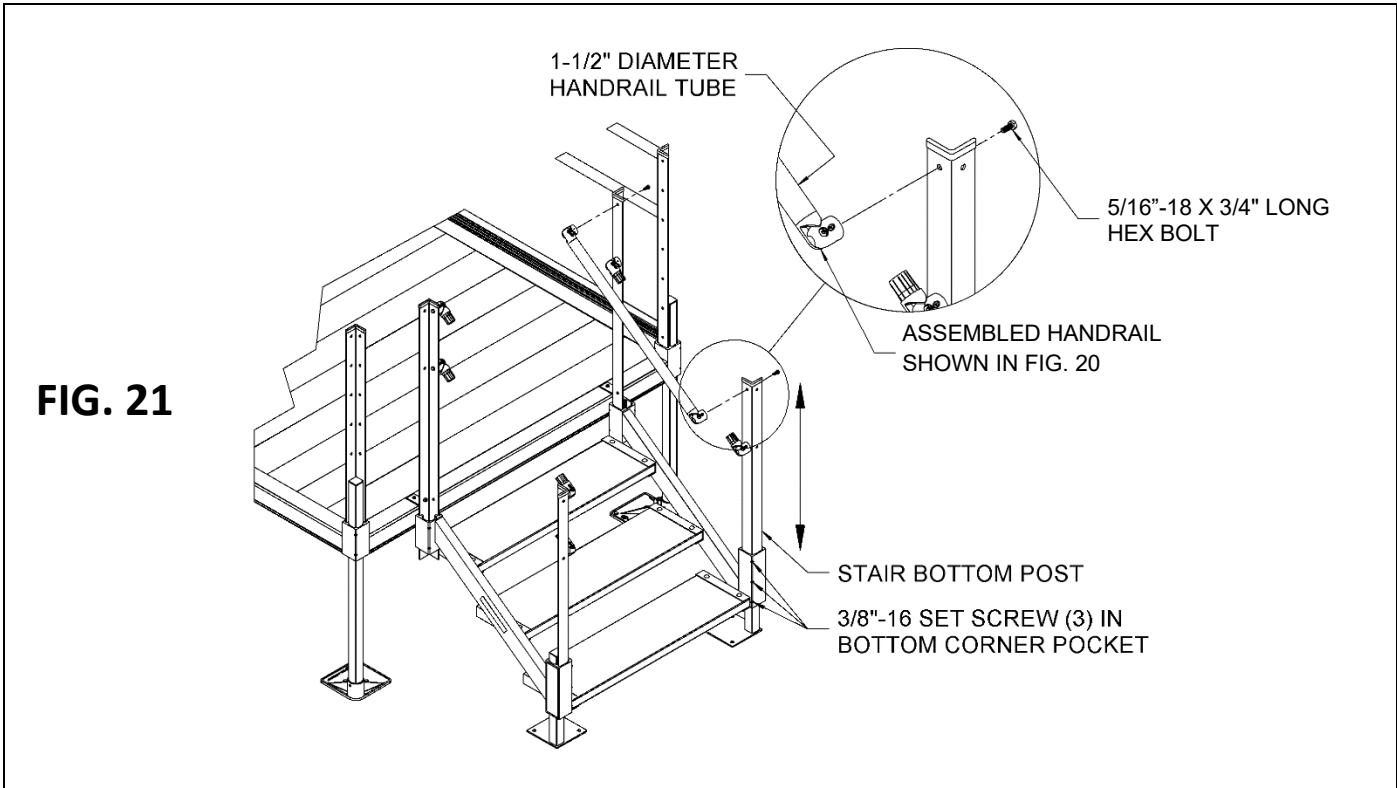
- 6.4. Assemble one closure elbow to the stair top post and one to the stair bottom post using the provided 5/16"-18 x 3/4" long hex bolts but do not tighten fully (FIG. 19). The stair elbow attached to the stair top post should be at approximately 90 degrees and pointed toward the stair elbow attached to the stair handrail bottom post. Align the round portions of the closure elbows facing each other and make sure the flat faces are parallel, then tighten the 5/16"-18 x 3/4" long hex bolts and the elbow assembly screws enough to hold the elbows in place.
- 6.5. Measure the distance between the two larger round faces. The gap between the upper and lower stair elbows should be the same, but it is advisable to check both before trimming all the tubes to fit (FIG. 19).



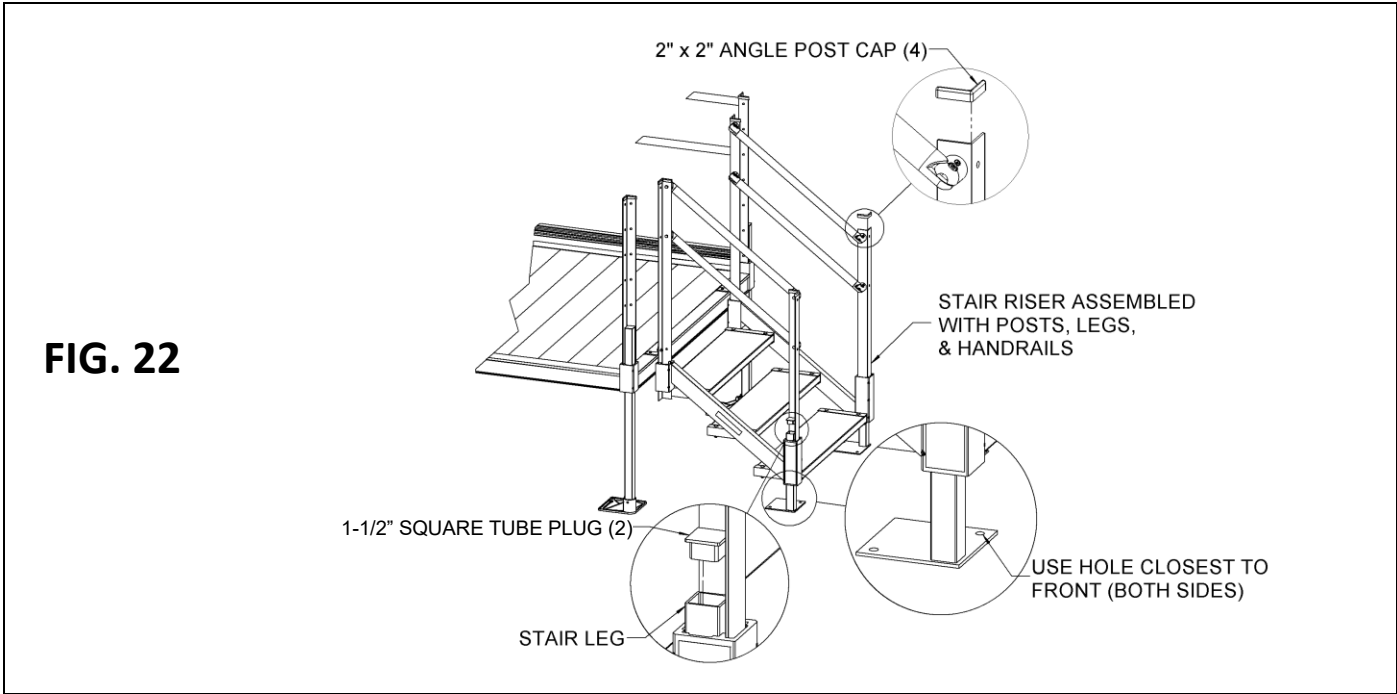
- 6.6. Drill $3/32$ " or $1/8$ " pilot holes through the $1\text{-}1/2$ " diameter tubes and elbow. The holes should be in line with the assembly fasteners and approximately $1/4$ " from the elbow (FIG. 20).
- 6.7. Drive #8-18 x $3/4$ " self-drilling, self-tapping pan head screws into the holes drilled in the previous step. Tighten securely but use caution to not overtighten and strip the threads (FIG. 20).



- 6.8. Using one handrail tube with closure elbow installed, assemble to one of the closure elbows in the stair's upper post using the elbow center insert, assembly screw, and nut, but do not tighten fully (FIG. 21).
- 6.9. Adjust the stair bottom post on one side up or down until the handrail tube is parallel to the stair side rail and the holes in the elbows at the stair bottom post align, then tighten the $3/8$ "-16 set screws in the bottom corner pockets securely (FIG. 21).
 - ✎ If the holes in the elbow halves at the stair bottom post do not align when the handrail tube is parallel to the stair side rail, the handrail tube must be trimmed until they do. Remove the elbow from the lower end of the handrail tube, trim as needed, and reinstall the elbow. Repeat until the tube is parallel to the stair side rail and the holes in the lower elbow align.
- 6.10. After one of the stair bottom posts is set at the correct height, set the other at the same height and tighten the set screws in the bottom corner pockets securely.
- 6.11. Trim the remaining handrail tubes to the final length established in 6.5 and insert closure elbows as described in 6.8.
- 6.12. Assemble the handrail tubes with closure elbows to the elbows installed on the stair posts in 6.8, and tighten all elbow attachment bolts securely.

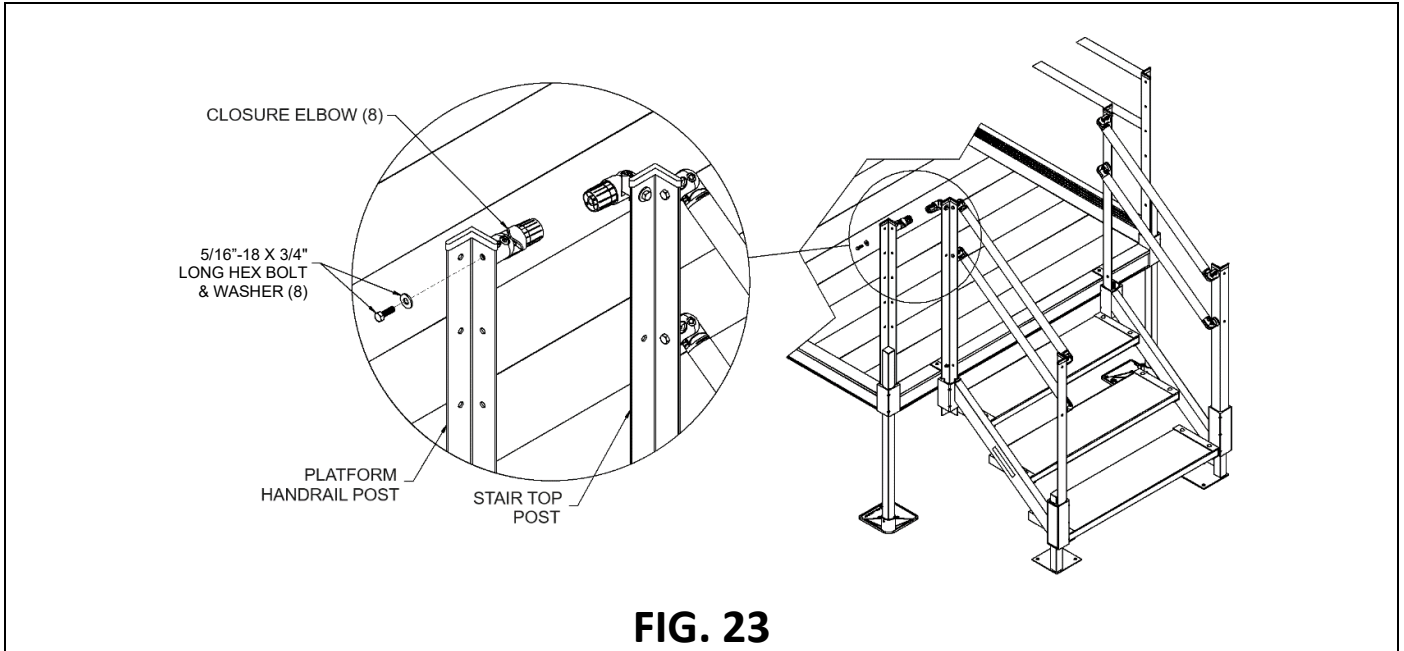


- 6.13. Insert a 1-1/2" square tube plug into the top of each leg and install a plastic angle cap on top of each stair post (FIG. 22). Use construction adhesive (included in stair assembly hardware) to secure the plastic angle caps as needed.
- 6.14. The stair legs of the PATHWAY 3G Stair must be anchored (anchors not provided) to the ground. Select the appropriate anchor for the ground condition where the stair is installed and use the holes closest to the front of the stair for anchoring (FIG. 22).

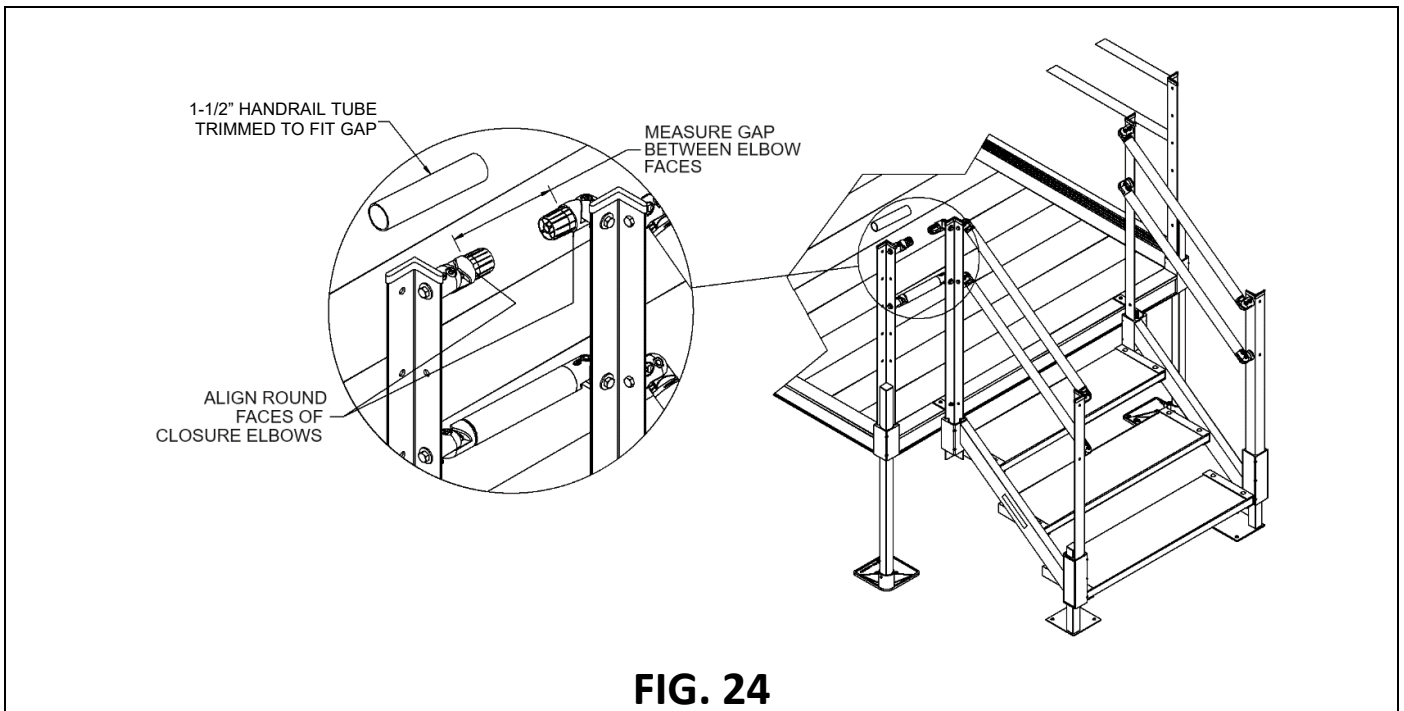


7. INSTALLING THE PLATFORM TO STEP CLOSURE TWO-LINE HANDRAIL – PPSCTL (INCLUDED IN STAIR KITS WITH A 5' x 5' PATHWAY 3G PLATFORM)

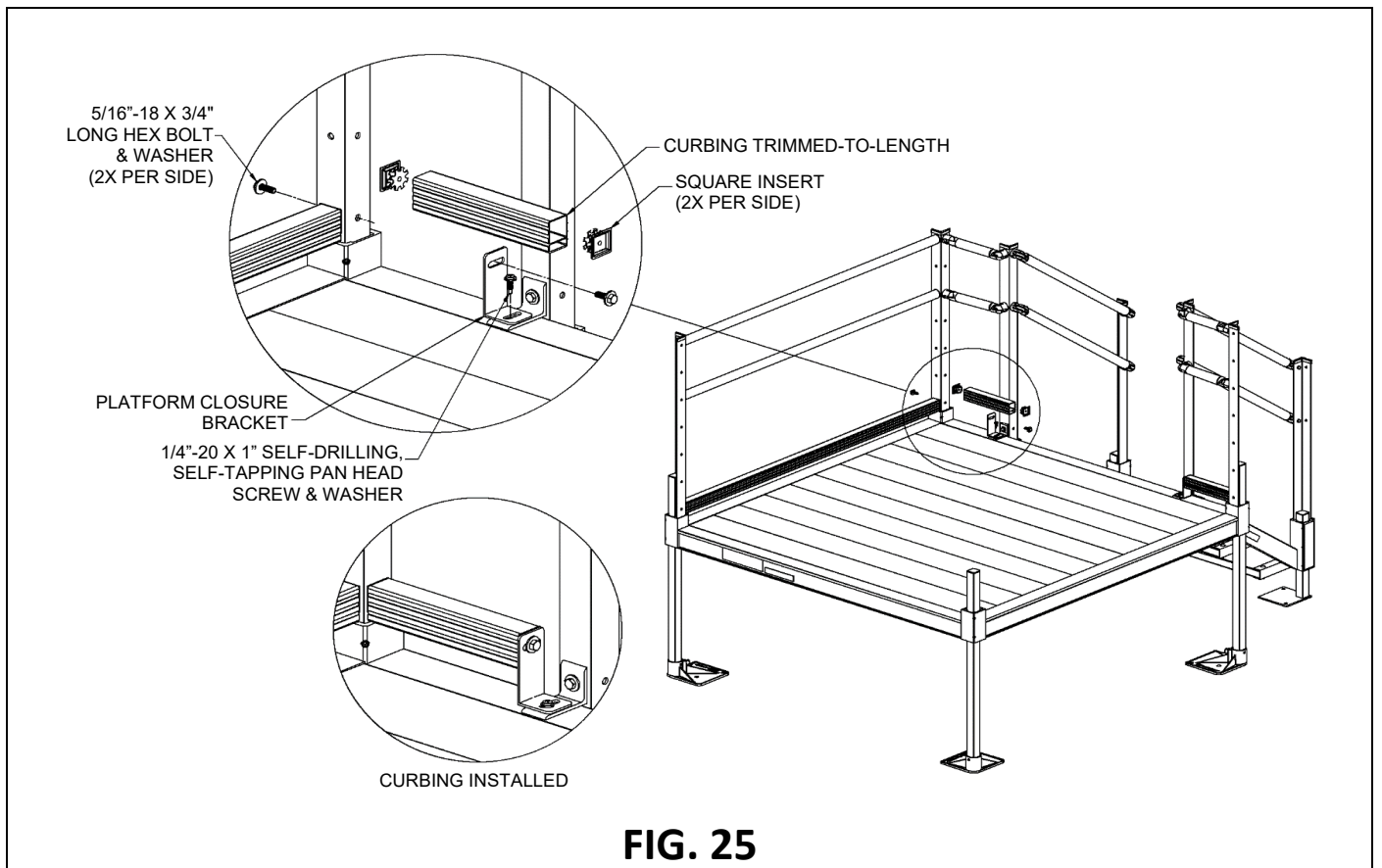
- 7.1. Installation of the closure elbows in the Platform to Step Closure Two-Line Handrail (PPSCTL), used to connect a stair top post to a platform handrail post, is similar to installing the stair handrails, but the closure elbow is not disassembled first. Assemble one closure elbow to the stair top post and one to the platform handrail post opposite the stair top post using the provided 5/16"-18 x 3/4" long hex bolts, but do not tighten fully (FIG. 23).



- 7.2. The closure elbow attached to the stair top post should be at approximately 90 degrees and pointed toward the closure elbow attached to the platform handrail post. Align the round portions of the closure elbows facing each other and make sure the flat faces are parallel then tighten the 5/16"-18 x 3/4" long hex bolts and the elbow assembly screws enough to hold the elbows in place.
- 7.3. Measure the distance between the two larger round faces. The gap between the upper and lower closure elbows should be the same, but it is advisable to check both before trimming the tubes to fit (FIG. 24).



- 7.4. Trim the 1-1/2" diameter round tubes to fit the gap measured in the previous step.
- 7.5. Using a metal file, smooth all sharp edges from trimming the round tubes.
- 7.6. Disassemble the closure elbows by removing the elbow screws and nuts but do not remove the closure elbow halves from the platform handrail or stair top posts.
- 7.7. Install a closure elbow half into each end of the trimmed tube until fully engaged.
- 7.8. Test fit assembly with closure elbow halves installed on the posts.
- 7.9. Tighten all fasteners, including the 5/16"-18 x 3/4" long hex bolts, securely.
- 7.10. Test to ensure all elbows are properly secured and attached.
- 7.11. Repeat steps 7.1 to 7.10 for all locations.
- 7.12. The curbing in the Platform to Step Closure Two-Line Handrail (PPSCTL) is used to connect a stair handrail post to a platform handrail post, and is similar to installing the closure elbows.
- 7.13. Install the platform closure bracket, oriented atop the stair hangar bracket, with the face parallel to the face of the platform handrail post. Fasten the brackets down with the two provided 1/4"-20 x 1" pan head self-tapping screws and 1/4" I.D. x 5/8" O.D. washers, using the 1/8" hole that was pre-drilled in the previous section (refer to step 6.2).
- 7.14. Mount (2) square threaded insert flanges using 5/16"-18 x 3/4" long hex bolts, but do not tighten fully. Measure the distance between the two square threaded insert flanges and inside faces, and trim the curbing to this length.
 - ✎ Use a metal file to smooth all sharp edges from trimming the curbing.
- 7.15. Remove mounted square threaded insert flanges and insert each into the end of trimmed curbing. Install curbing between the platform closure bracket and the platform closure post with 5/16"-18 x 3/4" bolts and 5/16" I.D. x .875" O.D. washers. (FIG. 25).
- 7.16. Repeat steps 7.14 to 7.15 for installation of the opposite side.
- 7.17. Double-check that all fasteners are tightened securely. Periodically check for ground shifts and regularly check and tighten hardware as needed.



8. MAINTENANCE AND SAFETY

- 8.1. Always exercise caution when handling, assembling, and or using the stair. Proper maintenance and upkeep of the stair surfaces is vital.
- 8.2. If needed, use a qualified helper when using the stair; always use handrails.
- 8.3. Before each use, check the stair for worn, loose, or damaged parts. If you find any of these conditions, do not use the stair and contact your installer for service or repairs. Failure to do so may result in serious injury.
- 8.4. At all times, keep the stair clear of dirt, leaves, and other debris that may accumulate on the surface. Simply sweeping the stair or using a garden hose will usually suffice, but if needed, a damp cloth or soft brush with soap and water can be used (avoid use of alkaline detergents).
- 8.5. If the tread surface is covered with ice and or snow, remove ice and or snow before use. Snow accumulation should be shoveled, and the tread surface swept clean. Magnesium Chloride may be used to melt snow or ice accumulation on the stair; however, after the snow and or ice threat has cleared, be sure to clean the tread surface with soap and water (avoiding alkaloid detergents) to remove Magnesium Chloride residue. See 'DEICING' below for additional information.
- 8.6. Keep the stair clear of debris and clutter. Do not use the stair if the walking surface is unsafe.
- 8.7. Do not run, jump, or play on or around the stair, including climbing on or between the handrails.
- 8.8. Do not use any part of the stair to support planters, lights, decorations, etc.
- 8.9. The stair may be slippery in wet conditions; use caution as traction may be reduced.

9. DEICING

- ⚠ For the safety of all users, it is important to keep your stair clear of snow, ice, and other debris.
- ⚠ Always follow the deicing agent manufacturer's directions.
- ⚠ EZ-ACCESS will not be held responsible for any injuries or damages that arise from the information provided. ALWAYS check with the deicing product's manufacturer or your local supplier to determine which method is best for your situation.
- ⚠ After the snow and or ice threat has cleared, be sure to clean the tread surface with mild soap and water (avoid alkaline detergents) to remove deicing residue.
 - ✋ Sodium Chloride (salt) and Calcium Chloride are particularly damaging to newly poured concrete. In addition, these chemicals should not be applied to brick and stone surfaces.
 - ✋ While care has been taken to ensure that the table below is accurate, the information shown is not all-inclusive. Manufacturers of deicing products may update their products as well as recommended functions and usage requirements. The deicing method you choose should be researched with your deicer supplier so you can determine which method is best for your situation.
 - ✋ The information below is taken from Fact Sheet 707, Cooperative Extension Service, University of Maryland at College Park, University of Maryland Eastern Shore, and was up to date at the time of this manual's publication.

PRODUCT	MIN. WORKING TEMP (°F)	SPEED OF ACTION	DAMAGES CONCRETE AND METAL?	HARMFUL TO PLANTS
MAGNESIUM CHLORIDE	-13	VERY FAST	NO	MODERATE
CALCIUM CHLORIDE	5	FAST	YES	YES
SODIUM CHLORIDE (SALT)	18	MODERATE	YES	YES
POTASSIUM CHLORIDE	25	SLOW	OK ON OLD CONCRETE	MODERATE
CALCIUM MAGNESIUM ACETATE (CMA)	25	SLOW	NO	NO

Thank you for choosing EZ-ACCESS®
for your accessibility needs.



EZ-ACCESS®

www.ezaccess.com