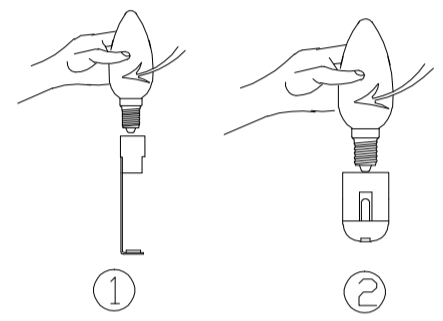


FC4066-4

Cautions of installation

Install the bulbs

Hold the bulb firmly
(you should not touch the
hardware part in case of
electric shock) and then install
it clockwise till it is firm



1. Open the carton and check the lamp, if there are something wrong, please contact the seller.
2. Install the lamp according to the illustration.

