



Composed®
Vertical toilet paper holder
K-73148

Features

- Vertical holder makes changing toilet paper quick and simple
- Coordinates with faucets and accessories in the Composed collection

Material

- Premium metal construction for durability and reliability
- KOHLER finishes resist corrosion and tarnishing



Codes/Standards








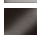
None Applicable

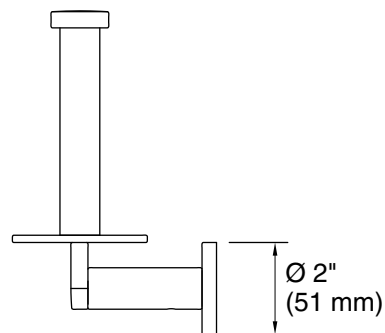
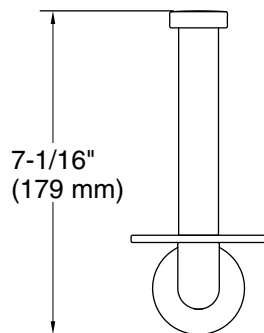
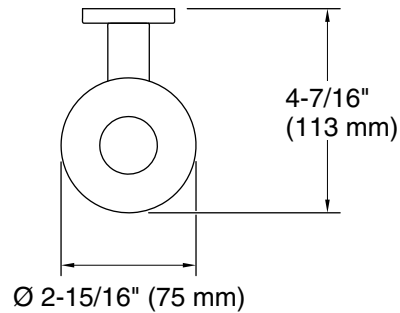
KOHLER® Faucet Lifetime Limited Warranty

See website for detailed warranty information.

Available Colors/Finishes

Color tiles intended for reference only.

Color	Code	Description
	CP	Polished Chrome
	SN	Vibrant® Polished Nickel
	BN	Vibrant® Brushed Nickel
	BV	Vibrant® Brushed Bronze
	BL	Matte Black
	2MB	Vibrant® Brushed Moderne Brass
	TT	Vibrant Titanium
	BGP	Vibrant Brushed Graphite



Technical Information

All product dimensions are nominal.

Material: Zinc, Brass

Notes

Install this product according to the installation instructions.