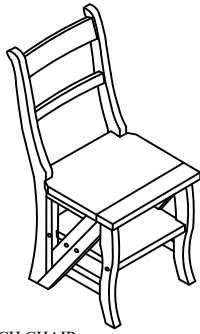


ASSEMBLY INSTRUCTION

Item No: L18S-1591-11

Description: Foldable Ladder Chair



IMPORTANT NOTE :

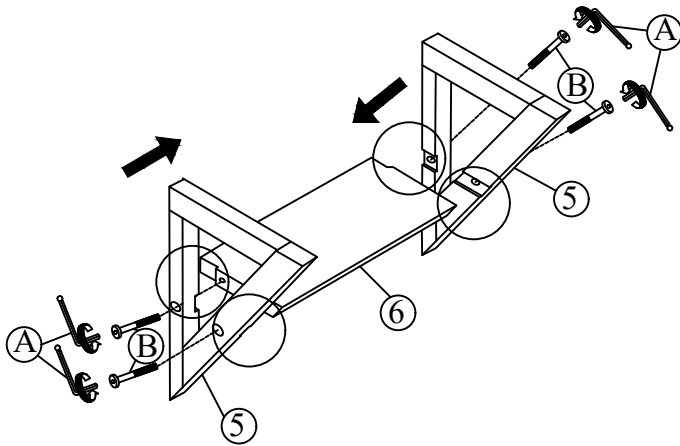
- Place all wooden parts on a clean and smooth surface such as a rug or carpet to avoid the parts from being scratched.
- Check to be sure that you have all parts and hardware.
- Remove all wrapping materials, including staples & packing straps before you start to assemble.
- Do not tighten all screws/bolts until all completely assembled.
- Keep all hardware parts out of reach of children.

▲ PARTS FOR EACH CHAIR

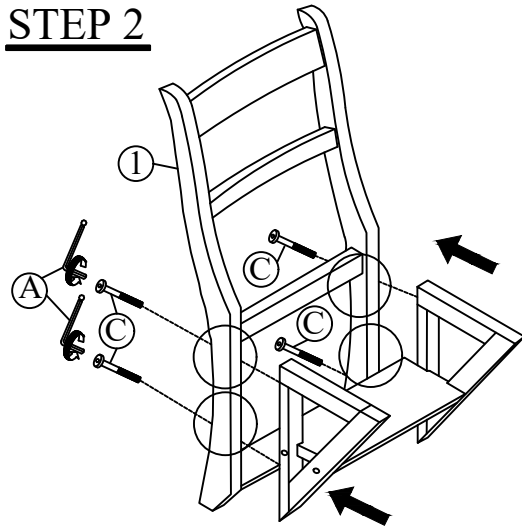
PARTS LIST			
NO.	COMPONENT		QTY.
1	CHAIR BACK		1 PC
2	SEAT		1 PC
3	FRONT LEG		2 PCS
4	SHELF A		1 PC
5	SUPPORT		2 PCS
6	SHELF B		1 PC

HARDWARE LIST			
NO.	DESCRIPTION		QTY.
A	M4 x 110MM ALLEN KEY		1 PCS
B	M6 x 40MM JCBC BOLT		10 PCS
C	M6 x 60MM JCBC BOLT		4 PCS
D	M4 x 38MM SCREW		4 PCS
E	WOOD BUTTON		14 PCS

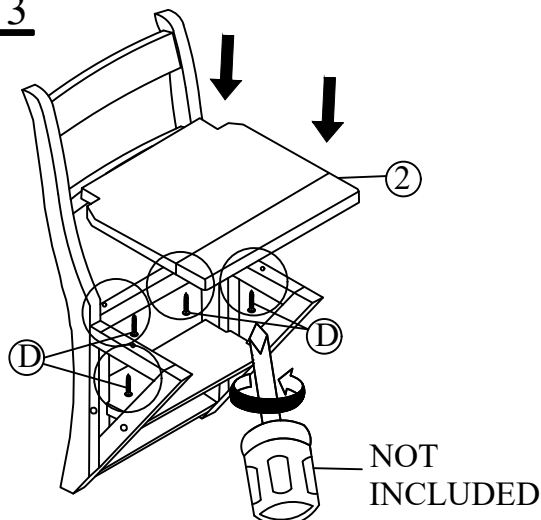
STEP 1



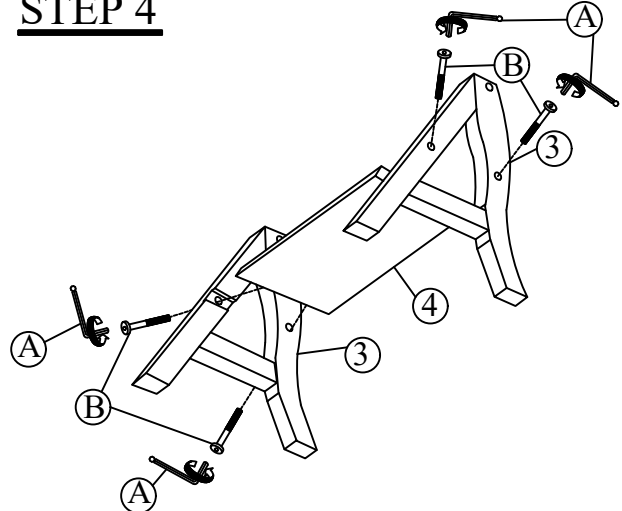
STEP 2



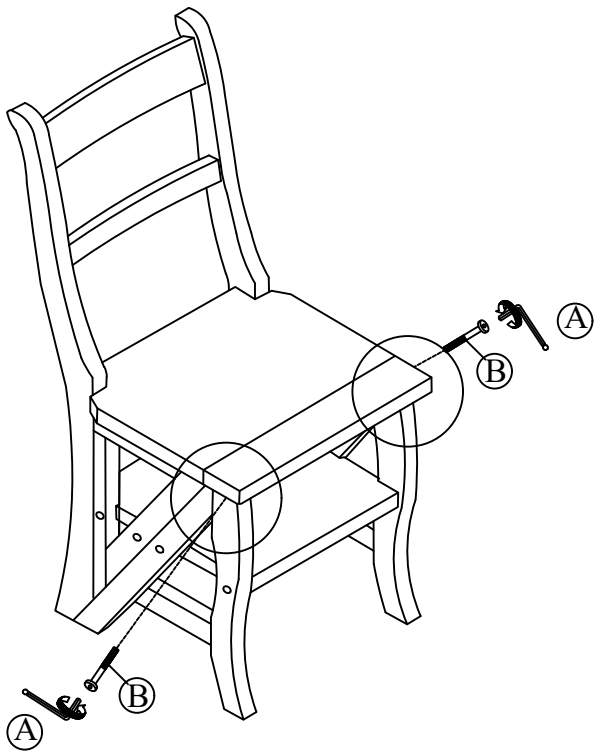
STEP 3



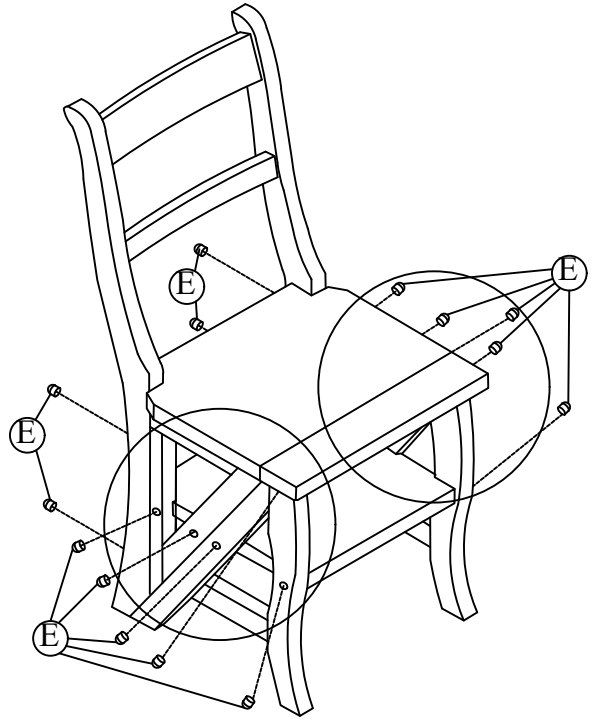
STEP 4



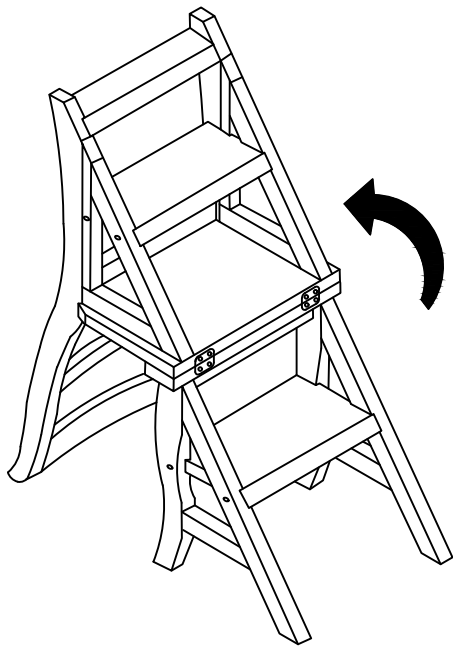
STEP 5



STEP 6



STEP 7



STEP 8

