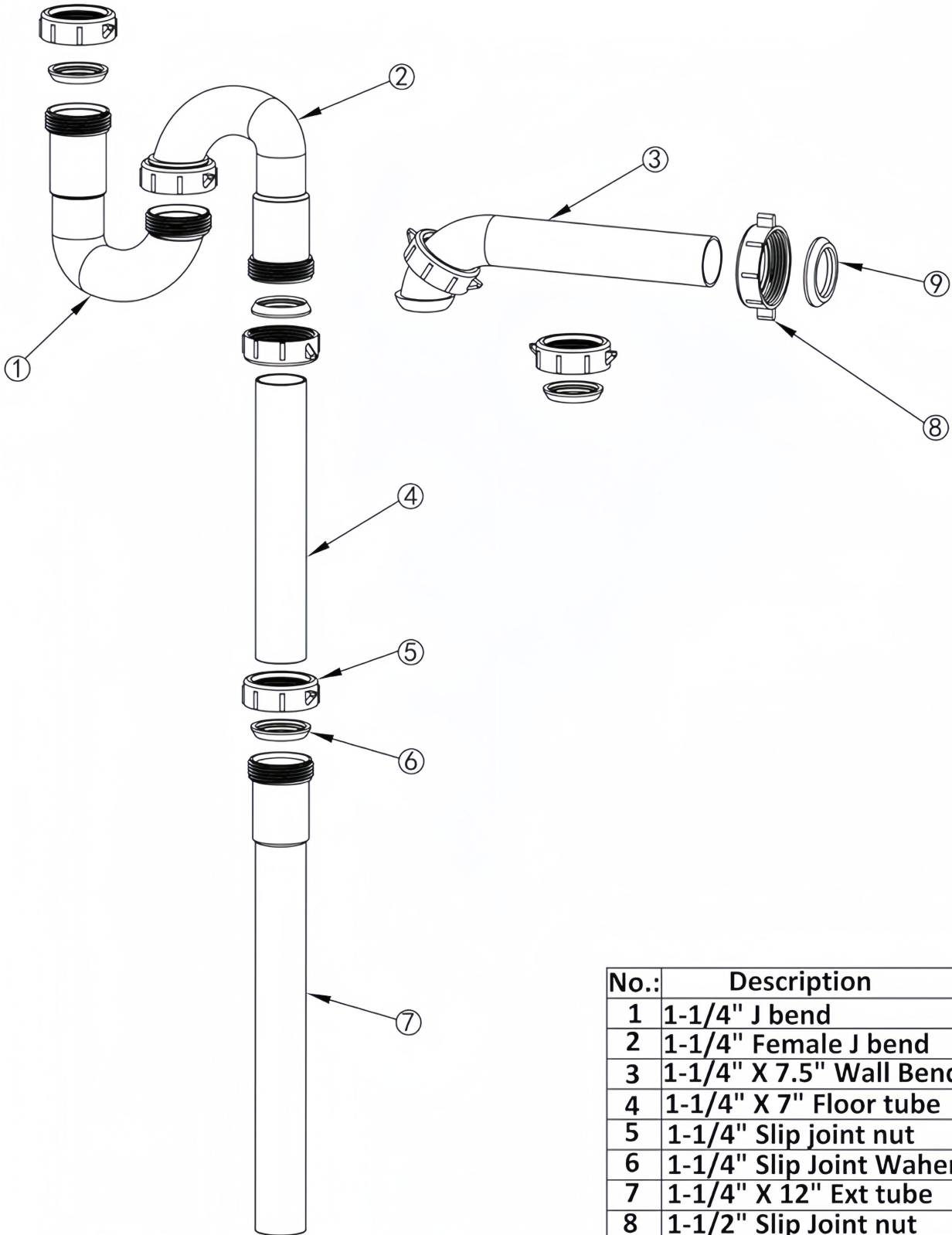


# Specification Sheet



No.:	Description	QTY
1	1-1/4" J bend	1
2	1-1/4" Female J bend	1
3	1-1/4" X 7.5" Wall Bend	1
4	1-1/4" X 7" Floor tube	1
5	1-1/4" Slip joint nut	4
6	1-1/4" Slip Joint Washer	4
7	1-1/4" X 12" Ext tube	1
8	1-1/2" Slip Joint nut	1
9	1-1/2" X 1-1/4" Slip joint washer	1