



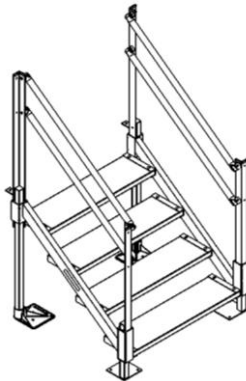
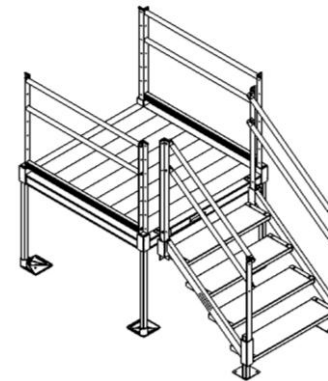
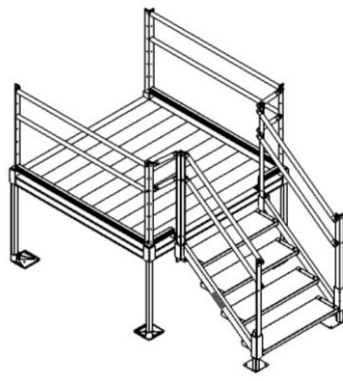
# PATHWAY® 3G Aluminum Stair Kit

## Technical Specifications

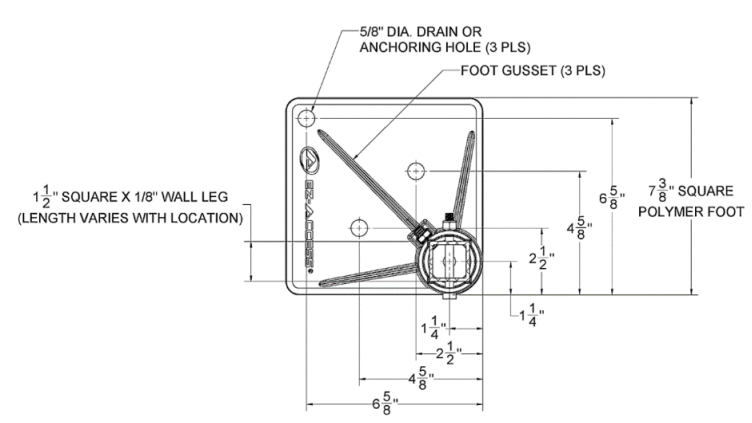
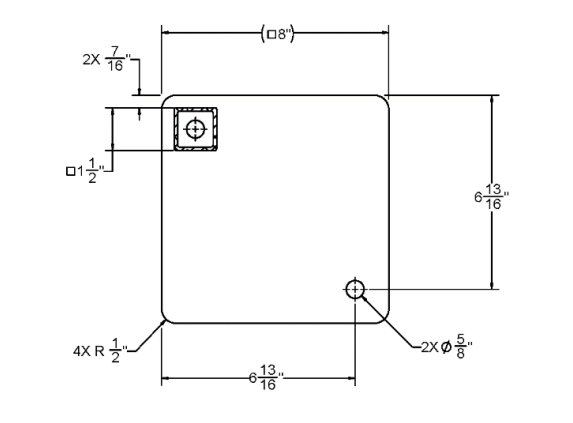
### TECHNICAL INFORMATION

APPLICATION	Residential
MATERIAL	Aluminum
WEIGHT CAPACITY* (DO NOT EXCEED)	850 lbs.
RISER TYPE	Open
WARRANTY	Lifetime Limited
COUNTRY OF ORIGIN:	USA

\* Max weight capacity applies to all stair and platform configurations.

 <p><b>STAIR KIT</b></p>	 <p><b>STAIR KIT W/ 4' x 4' PLATFORM</b></p>	 <p><b>STAIR KIT W/ 5' x 5' PLATFORM</b></p>
<p><b>MODELS:</b></p> <p>PSSS0814      PSSS2935  PSSS1521      PSSS3642  PSSS2228      PSSS4349  PSSS5056</p>	<p><b>MODELS:</b></p> <p>PSSS0814PF44      PSSS2935PF44  PSSS1521PF44      PSSS3642PF44  PSSS2228PF44      PSSS4349PF44  PSSS5056PF44</p>	<p><b>MODELS:</b></p> <p>PSSS0814PF55      PSSS2935PF55  PSSS1521PF55      PSSS3642PF55  PSSS2228PF55      PSSS4349PF55  PSSS5056PF55</p>

- Details for all configurations are presented on the following pages.

<p><b>STANDARD POLYMER FOOT</b></p>  <p>5/8" DIA. DRAIN OR ANCHORING HOLE (3 PLS)  FOOT GUSSET (3 PLS)  1 1/2" SQUARE X 1/8" WALL LEG (LENGTH VARIES WITH LOCATION)  6 5/8"  7 3/8" SQUARE POLYMER FOOT  4 5/8"  2 1/2"  1 1/4"  1 1/4"  2 1/2"  4 5/8"  6 5/8"</p>	<p><b>LOW-PROFILE ALUMINUM FOOT</b></p>  <p>2X 7/16"  (8")  1 1/2"  6 13/16"  4X R 1/2"  6 13/16"  2X Ø 5/8"</p>
--	--

LIFETIME LIMITED WARRANTY. Please register at [www.ezaccess.com/product-registration](http://www.ezaccess.com/product-registration).  
© EZ-ACCESS®, a division of Homecare Products, Inc. All rights reserved.  
All text and images contained in this document are proprietary and may not be shared, modified, distributed, reproduced, or reused without the express written permission of EZ-ACCESS.



Manufactured in the USA



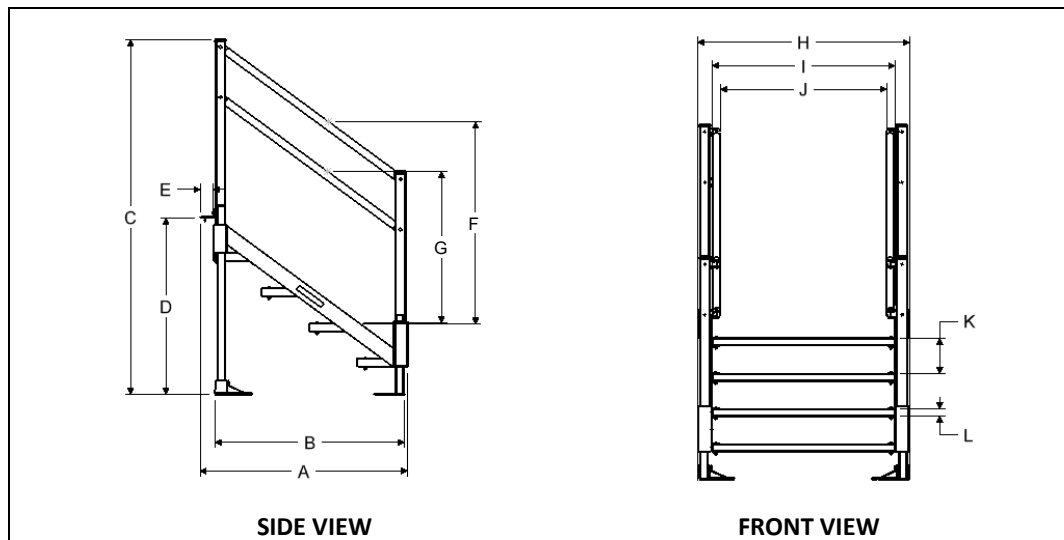
23221 REV 10-10-2025



# PATHWAY® 3G Aluminum Stair Kit

## Technical Specifications

### DIMENSIONS – STAIR KIT (NO PLATFORM)



MODEL		PSSS0814	PSSS1521	PSSS2228	PSSS2935	PSSS3642	PSSS4349	PSSS5056
NUMBER OF RISERS		1	2	3	4	5	6	7
OVERALL LENGTH [A]		12-1/2"	22"	31-1/2"	41"	50-1/2"	60"	69-1/2"
STAIR LENGTH [B]		9-7/8"	19-3/8"	28-7/8"	38-3/8"	47-7/8"	57-3/8"	66-7/8"
SYSTEM HEIGHT RANGE [C]	IRC COMPLIANT	43-1/2"-49-1/2"	50-1/2"-56-1/2"	57-1/2"-63-1/2"	64-1/2"-70-1/2"	71-1/2"-77-1/2"	78-1/2"-84-1/2"	85-1/2"-91-1/2"
	OVERALL	43-1/2"-52-7/8"	50-1/2"-59-7/8"	57-1/2"-66-7/8"	64-1/2"-73-7/8"	71-1/2"-80-7/8"	78-1/2"-87-7/8"	85-1/2"-94-7/8"
STAIR HEIGHT RANGE [D]	IRC COMPLIANT	8"-14"	15"-21"	22"-28"	29"-35"	36"-42"	43"-49"	50"-56"
	OVERALL	8"-17-3/8"	15"-24-3/8"	22"-31-3/8"	29"-38-3/8"	36"-45-3/8"	43"-52-3/8"	50"-59-3/8"
STAIR HANGER OVERHANG [E]		2-1/2"						
STAIR HANDRAIL HEIGHT	UPPER RAIL [F]	40"						
	LOWER RAIL [G]	30"						
HANDRAIL DIAMETER (TYP.)		1-1/2"						
OVERALL STAIR WIDTH [H]		41-1/2"						
STAIR WIDTH [I]		36"						
USABLE STAIR WIDTH [J]		32-3/4"						
RISER SPACING [K]		7"						
TREAD THICKNESS [L]		1-1/2"						
STAIR HANDRAIL WEIGHT (EA)		6.1 lbs.	7.0 lbs.	8.2 lbs.	9.1 lbs.	10.2 lbs.	11.3 lbs.	12.1 lbs.
STAIR SYSTEM WEIGHT		39.7 lbs.	50.5 lbs.	61.7 lbs.	72.7 lbs.	83.9 lbs.	97.6 lbs.	109.4 lbs.

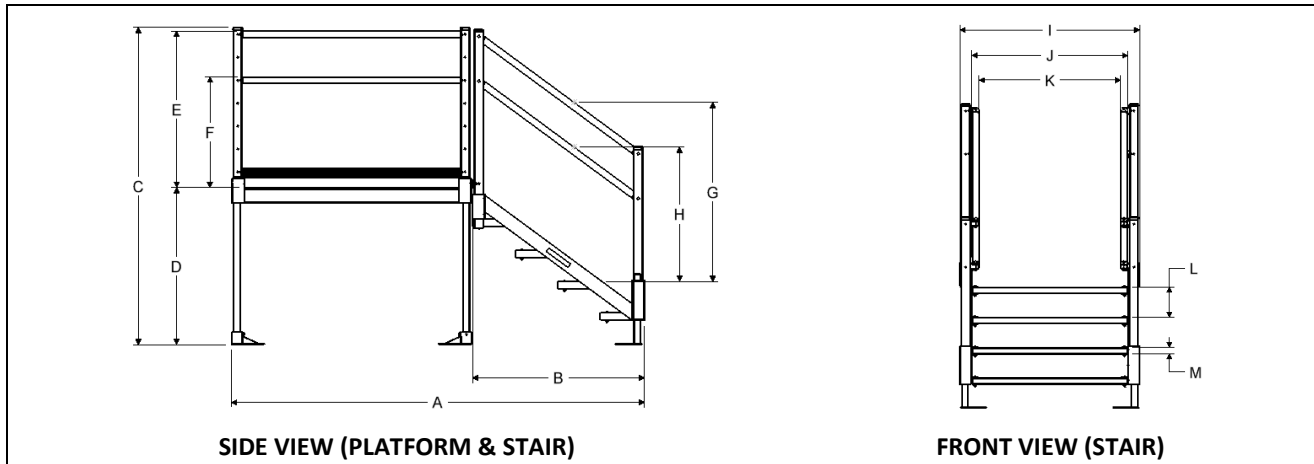
- Weights and dimensions are approximate and subject to change.



# PATHWAY® 3G Aluminum Stair Kit

## Technical Specifications

### DIMENSIONS – STAIR KIT W/ 4' x 4' PLATFORM



MODEL		PSSS0814-PF44	PSSS1521-PF44	PSSS2228-PF44	PSSS2935-PF44	PSSS3642-PF44	PSSS4349-PF44	PSSS5056-PF44
NUMBER OF RISERS		1	2	3	4	5	6	7
OVERALL LENGTH [A]		63-5/8"	73-1/8"	82-5/8"	92-1/8"	101-5/8"	111-1/8"	120-5/8"
STAIR LENGTH [B]		9-7/8"	19-3/8"	28-7/8"	38-3/8"	47-7/8"	57-3/8"	66-7/8"
SYSTEM HEIGHT RANGE [C]	IRC COMPLIANT	43-5/8" - 49-5/8"	50-5/8" - 56-5/8"	57-5/8" - 63-5/8"	64-5/8" - 70-5/8"	71-5/8" - 77-5/8"	78-5/8" - 84-5/8"	85-5/8" - 91-5/8"
	OVERALL	43-5/8" - 53"	50-5/8" - 60"	57-5/8" - 67"	64-5/8" - 74"	71-5/8" - 81"	78-5/8" - 88"	85-5/8" - 95"
STAIR HEIGHT RANGE [D]	IRC COMPLIANT	8"-14"	15"-21"	22"-28"	29"-35"	36"-42"	43"-49"	50"-56"
	OVERALL	8" - 17-3/8"	15" - 24-3/8"	22" - 31-3/8"	29" - 38-3/8"	36" - 45-3/8"	43" - 52-3/8"	50" - 59-3/8"
PLATFORM HANDRAIL HEIGHT	UPPER RAIL [E]	34-1/2"						
	LOWER RAIL [F]	24"						
STAIR HANDRAIL HEIGHT	UPPER RAIL [G]	40"						
	LOWER RAIL [H]	30"						
HANDRAIL DIAMETER (TYP.)		1-1/2"						
OVERALL STAIR WIDTH [I]		41-1/2"						
STAIR WIDTH [J]		36"						
USABLE STAIR WIDTH [K]		32-3/4"						
RISER SPACING [L]		7"						
TREAD THICKNESS [M]		1-1/2"						
PLATFORM SIZE (OVERALL)		53-1/2" x 53-1/2"						
PLATFORM SIZE (USABLE)		48" x 48"						
STAIR WEIGHT		36.6 lbs.	46.8 lbs.	57.3 lbs.	67.7 lbs.	78.3 lbs.	90.8 lbs.	101.2 lbs.
STAIR HANDRAIL WEIGHT (EA)		6.1 lbs.	7.0 lbs.	8.2 lbs.	9.1 lbs.	10.2 lbs.	11.3 lbs.	12.1 lbs.
PLATFORM WEIGHT		50.5 lbs.						
PLATFORM HANDRAIL WEIGHT (EA)		13.7 lbs.						
SYSTEM WEIGHT		131.6 lbs.	143.0 lbs.	154.8 lbs.	166.4 lbs.	185.0 lbs.	197.2 lbs.	210.2 lbs.

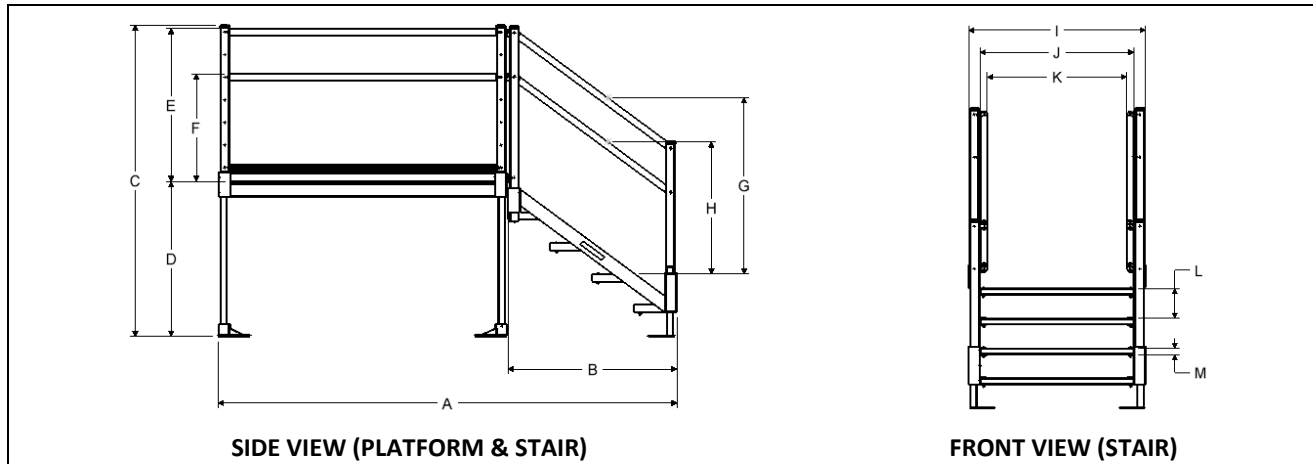
- Weights and dimensions are approximate and subject to change.



# PATHWAY® 3G Aluminum Stair Kit

## Technical Specifications

### DIMENSIONS – STAIR W/ 5' x 5' PLATFORM



MODEL		PSSS0814-PF55	PSSS1521-PF55	PSSS2228-PF55	PSSS2935-PF55	PSSS3642-PF55	PSSS4349-PF55	PSSS5056-PF55
NUMBER OF RISERS		1	2	3	4	5	6	7
OVERALL LENGTH [A]		75-5/8"	85-1/8"	94-5/8"	104-1/8"	113-5/8"	123-1/8"	132-5/8"
STAIR LENGTH [B]		9-7/8"	19-3/8"	28-7/8"	38-3/8"	47-7/8"	57-3/8"	66-7/8"
SYSTEM HEIGHT RANGE [C]	IRC COMPLIANT	43-5/8" - 49-5/8"	50-5/8" - 56-5/8"	57-5/8" - 63-5/8"	64-5/8" - 70-5/8"	71-5/8" - 77-5/8"	78-5/8" - 84-5/8"	85-5/8" - 91-5/8"
	OVERALL	43-5/8" - 53"	50-5/8" - 60"	57-5/8" - 67"	64-5/8" - 74"	71-5/8" - 81"	78-5/8" - 88"	85-5/8" - 95"
STAIR HEIGHT RANGE [D]	IRC COMPLIANT	8"-14"	15"-21"	22"-28"	29"-35"	36"-42"	43"-49"	50"-56"
	OVERALL	8" - 17-3/8"	15" - 24-3/8"	22" - 31-3/8"	29" - 38-3/8"	36" - 45-3/8"	43" - 52-3/8"	50" - 59-3/8"
PLATFORM HANDRAIL HEIGHT	UPPER RAIL [E]	34-1/2"						
	LOWER RAIL [F]	24"						
STAIR HANDRAIL HEIGHT	UPPER RAIL [G]	40"						
	LOWER RAIL [H]	30"						
HANDRAIL DIAMETER (TYP.)		1-1/2"						
OVERALL STAIR WIDTH [I]		41-1/2"						
STAIR WIDTH [J]		36"						
USABLE STAIR WIDTH [K]		32-3/4"						
RISER SPACING [L]		7"						
TREAD THICKNESS [M]		1-1/2"						
PLATFORM SIZE (OVERALL)		65-1/2" x 65-1/2"						
PLATFORM SIZE (USABLE)		60" x 60"						
STAIR WEIGHT		36.6 lbs.	46.8 lbs.	57.3 lbs.	67.7 lbs.	78.3 lbs.	90.8 lbs.	101.2 lbs.
STAIR HANDRAIL WEIGHT (EA)		6.1 lbs.	7.0 lbs.	8.2 lbs.	9.1 lbs.	10.2 lbs.	11.3 lbs.	12.1 lbs.
PLATFORM WEIGHT		68.5 lbs.						
PLATFORM HANDRAIL WEIGHT (EA)		15.3 lbs.						
SYSTEM WEIGHT		153.4 lbs.	164.8 lbs.	176.6 lbs.	188.2 lbs.	206.5 lbs.	219.0 lbs.	232.0 lbs.

- Weights and dimensions are approximate and subject to change.