

# USE AND CARE GUIDE

— 52-INCH CEILING FAN —

# 01 Safety Information

## READ ALL SAFETY INFORMATION AND INSTALLATION INSTRUCTIONS BEFORE YOU BEGIN INSTALLING THE FAN AND SANE INSTRUCTIONS.

1. To reduce the risk of electrical shock the electricity has been turned off at the circuit breaker or fuse box before begin.
2. All wiring must be in accordance with the National Electrical Code NASI/NFPA 70 -1999 and local electrical codes. Electrical installation should be performed by a qualified licensed electrician .
3. The outlet box and support structure must be securely mounted and capable of reliably supporting 35lb. (15.9kg). Use only UL listed outlet boxes marked "Acceptable for Fan Support of 35lbs(15.9kg) or less."
4. The fan must be mounted with a minimum of 7 ft. (2m) clearance from the trailing edge of the blades to the floor.
5. Do not operate the reversing switch while the fan blades are in motion. You must turn the fan off and stop the blades before you reverse the blade direction.
6. Do not place objects in the path of the blades.
7. To avoid personal injury or damage to the fan and other items use caution when working around or cleaning the fan.
8. Electrical diagrams are for reference only. Light kits that are not packed with the fan must be UL-listed and marked suitable for use with the model fan you are installing. Switches must be UL General Use Switches. Refer to the instructions packaged with the light kits and switches for proper assembly.
9. After making electrical connections , spliced conductors should be turned upward and pushed carefully up into the outlet box. The wires should be spread apart with the grounded conductor and the equipment-grounding conductor on one side of the outlet box.
10. All setscrews must be checked and retightened where necessary before installation.



**WARNING:** TO reduce the risk of personal injury, do not bend the blade brackets (also referred to as flanges) during assembly or after installation. Do not insert objects in the path of the blades .



**WARNING:** To reduce the risk of fire or electric shock, do not use this fan with any solid-state speed control device.



**WARNING:** To avoid possible electrical shock, turn the electricity off at the main fuse box before wiring. If you feel you do not have enough electrical wiring knowledge or experience, contact a licensed electrician.



**WARNING:** Electrical diagrams are for reference only. Optional use of any light kit shall be UL-listed and marked suitable for use with this fan.



**WARNING:** To reduce the risk of fire, electric shock, or personal injury, mount to outlet box marked "Acceptable for fan support of 35 lbs.(15.9 kg) or less." and use the screws provided with the outlet box.

## 02) Warranty

The supplier warrants the fan motor to be free from defects in workmanship and material present at time of shipment from the factory for a lifetime after the date of purchase by the original purchaser. The supplier also warrants that all other fan parts, excluding any glass or acrylic blades, to be free from defects in workmanship and material at the time.

of shipment from the factory for a period of two years after the date of purchase by the original purchaser. We agree to correct such defects without charge or at our option replace with a comparable or superior model if the product is returned.

To obtain warranty service, you must present a copy of the receipt as proof of purchase. All costs of removing and re-installing the product are your responsibility. Damage to any part such as by accident, misuse, improper installation, or by affixing any accessories, is not covered by this warranty.

Because of varying climatic conditions this warranty does not cover any changes in brass finish, including rusting, pitting, corroding, tarnishing, or peeling. Brass finishes of this type give their longest useful life when protected from varying weather conditions. A certain amount of "wobble" is normal and should not be considered a defect.

Servicing performed by unauthorized persons shall render the warranty invalid. There is no other express warranty. Hereby disclaims any and all warranties, including but not limited to those of merchant ability and fitness for a particular purpose to the extent permitted by law. The duration of any implied warranty which cannot be disclaimed is limited to the time period as specified in the express warranty. Some states do not allow a limitation on how long an implied warranty lasts, so the above limitation may not apply to you.

The retailer shall not be liable for incidental, consequential, or special damages arising out of or in connection with product use or performance except as may otherwise be accorded by law. Some states do not allow the exclusion of incidental or consequential damages, so the above exclusion or limitation may not apply to you. This warranty gives specific legal rights, and you may also have other rights which vary from state to state. This warranty supersedes all prior warranties. Shipping costs for any return of product as part of a claim on the warranty must be paid by the customer.

## 03) Pre-Installation

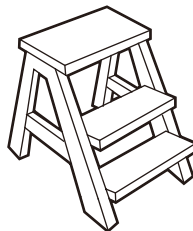
### TOOLS REQUIRED



Phillips  
screwdriver



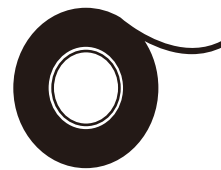
Flat blade  
screwdriver



Step  
ladder



Wire  
stripper

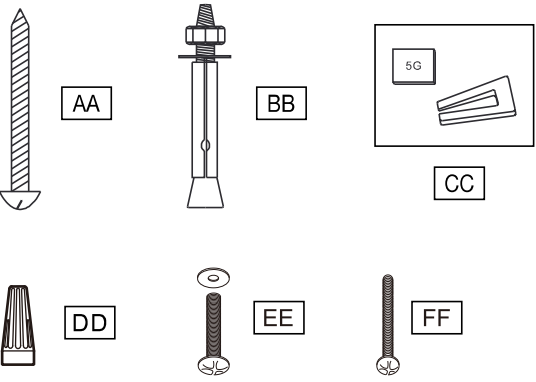


Electrical  
tape

# 04) Pre-Installation(continued)

## HARDWARE INCLUDED

### components table



NOTE: Hardware not shown to actual size.

AA	Mounting screws	4
BB	Expansion Bolts	2
CC	Balanced parts package	1
DD	Plastic wire nut(not to scale)	5
EE	Mounting screws and cushion(Outlet box)	2
FF	Blade connecting screw	16

## PACKAGE CONTENTS

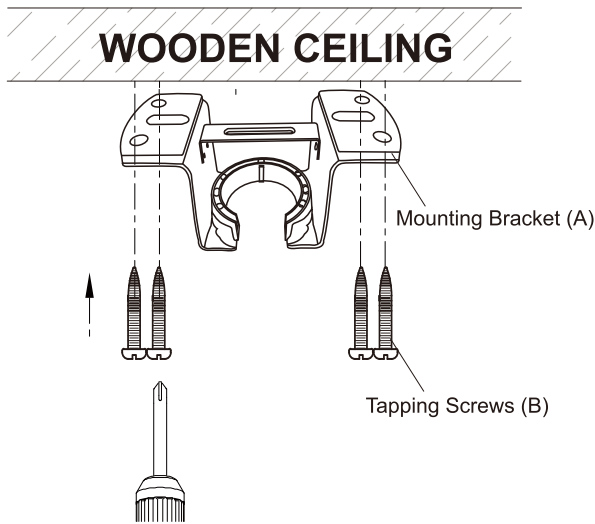
	L	Remote control (Transmitter)	1		M	Remote control (receiver)	1
--	---	------------------------------	---	--	---	---------------------------	---

	A	Fan-motor assembly	1		B	LED light kit	1		C	Light kit fitter assembly	1
--	---	--------------------	---	--	---	---------------	---	--	---	---------------------------	---

	D	Lampshade	1		E	Leaf shelf disk	1			Blade	5
--	---	-----------	---	--	---	-----------------	---	--	--	-------	---

	F	Slide-on mounting bracket (inside canopy)	1		H	12.5CM Ball/downrod assembly	1		K	Canopy Cover	1
	G	Canopy	1		I	25CM Ball/downrod assembly	1		J	Coupling cover	1

## 05) Installation of the hanging bracket(suspension part)



For wooden ceiling, use wood screw to drill on the wooden beam or the "junction box" to fix the hanging bracket (selection is made according to actual requirements of the customers).

### STEP 1A-WOODEN CEILING

SWITCH OFF THE ELECTRICAL MAINS AT THE CIRCUIT BREAKER FUSE BOX.

- 1) Use the Mounting Bracket (A) as a guide, mark the spots where the 4 Self Tapping Screws (B) will be drilled.
- 2) Remove the Mounting Bracket (A), drill 4 holes for 3MM diameter, install the mounting bracket onto wooden ceiling with the 4 Self Tapping Screws (B).

**⚠ IMPORTANT : SCREWS MUST BE TIGHTENED TILL SNUG**



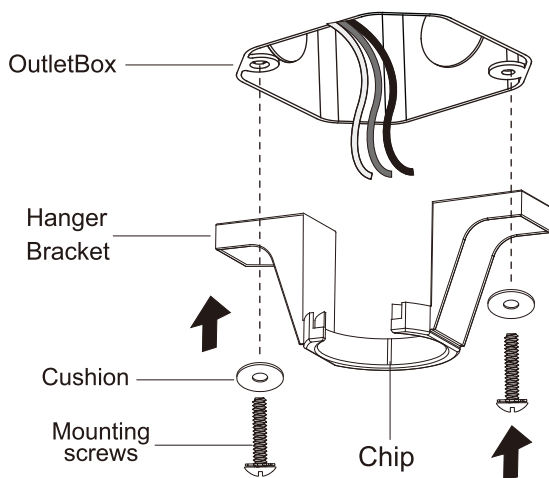
For concrete ceiling, use the percussion bit with diameter 8mm to drill holes according to the length of expansion screws. Then use the attached expansion screws to fix the hanging bracket onto the ceiling (selection is made according to actual requirements of the customers).

### STEP 2A-CONCRETE CEILING

SWITCH OFF THE ELECTRICAL MAINS AT THE CIRCUIT BREAKER FUSE BOX.

- 1) Use the Mounting Bracket (A) as a guide, mark the spots where the 2 Expansion Bolts(B) will be drilled.
- 2) Remove the Mounting Bracket (A). Drill 2 holes for 8MM diameter and insert 2 Expansion Bolts (B) into the concrete ceiling, install the mounting bracket and secure with Flat Washers(C), Spring Washers(D)and Nuts(E).

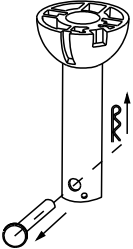
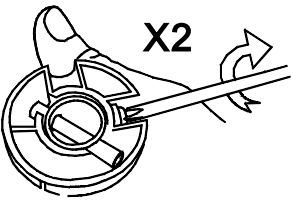
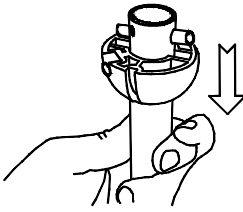
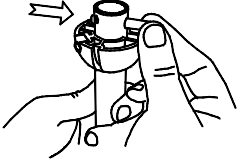
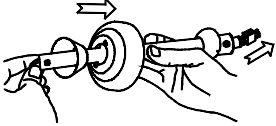
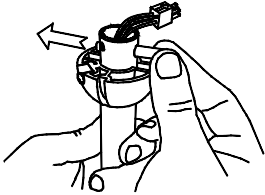
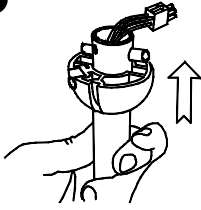
**⚠ IMPORTANT : SCREWS MUST BE TIGHTENED TILL SNUG**



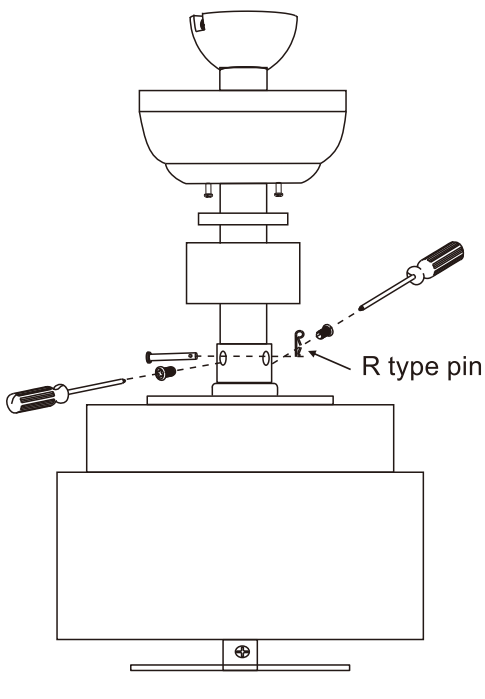
Tighten the hanger bracket to the outlet box with 2 mounting screws. (To reduce the risk of fire, electric shock, or personal injury, mount to the outlet box marked "Acceptable for fan support" and use mounting screws provided with the outlet box.)

# 06 Assembly instruction

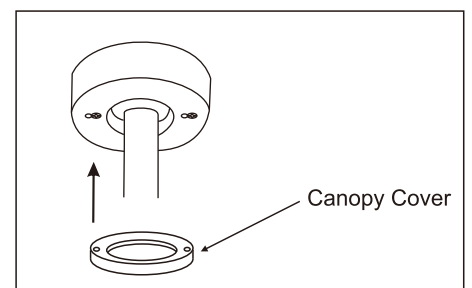
## 1. Install the downrod

			
<p>Remove the lock pin and the bolt of the base of the downrod.</p>	<p>Unscrew the screws of the hanger ball.</p>	<p>Slide the ball down the downrod.</p>	<p>Remove the bolt of the downrod.</p>
			
<p>Insert on the downrod the canopy and the Bolt &amp; Pin cover. Carefully feed motor wires through the downrod assembly.</p>	<p>Replace the bolt of the hanger ball.</p>	<p>Replace the hanger ball at its normal position.</p>	

## 2. Install downrod assembly

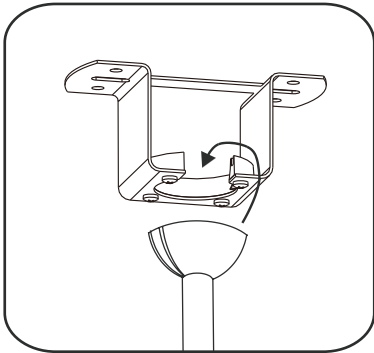


1. Thread the suspender through the suspended clock and coupling cover.
2. Then insert the tail of the suspender from the lying head of the motor.
3. Remove the lateral pin out from the suspended head position, secure with R type pin (Clevis pin).
4. Tighten the lying head screws. Tighten the 2 Set Screws on the Coupling to serve as a clamping force on the Downrod to prevent fan shaking during operation.
5. Route the Coupling cover, Canopy Ring, Canopy and Hanger Ball through the Downrod in turn, and then install the Lock pin through the hole on the Downrod. Fix it by Screw, then slip down the Coupling Cover in correct position.

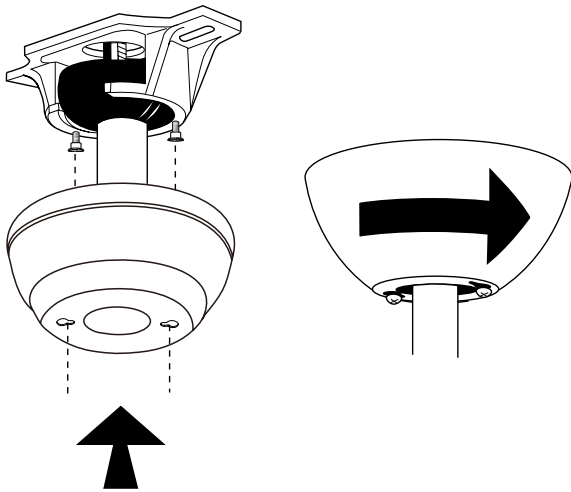


# 07) Assembly -Hanging the Fan(continued)

## Install the canopy

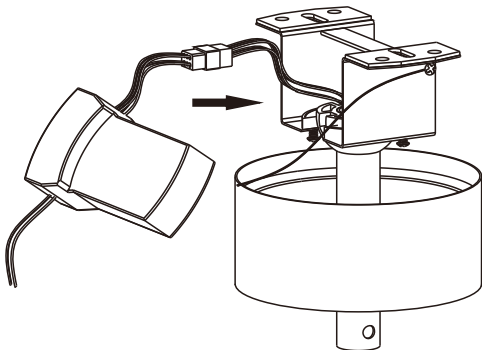


1. Place the drop ball into the hanger bracket. Rotate until the non-return slot falls into the registration slot and is firmly seated. If done correctly, the rod should not rotate.



2. Carefully push the canopy to the bottom of the mounting bracket, make two sliding holes aligned to the two prominent screws on the mounting bracket, and then turn clockwise until tight.
3. Push the canopy ring to the bottom of the canopy, slide the inner holes aligned to the two prominent screws on the mounting bracket again, and turn the canopy ring clockwise until tight.

## Installing remote control receiver



4. Once wiring step has been completed, slide the wired remote receiver in between the mounting bracket and the top of the downrod ball for downrod fans

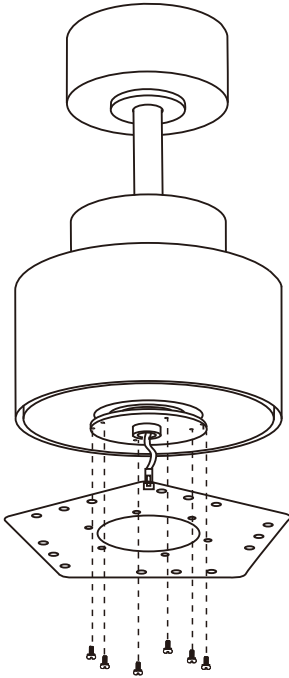
## 08) Assembly -Attaching the Fan Blades



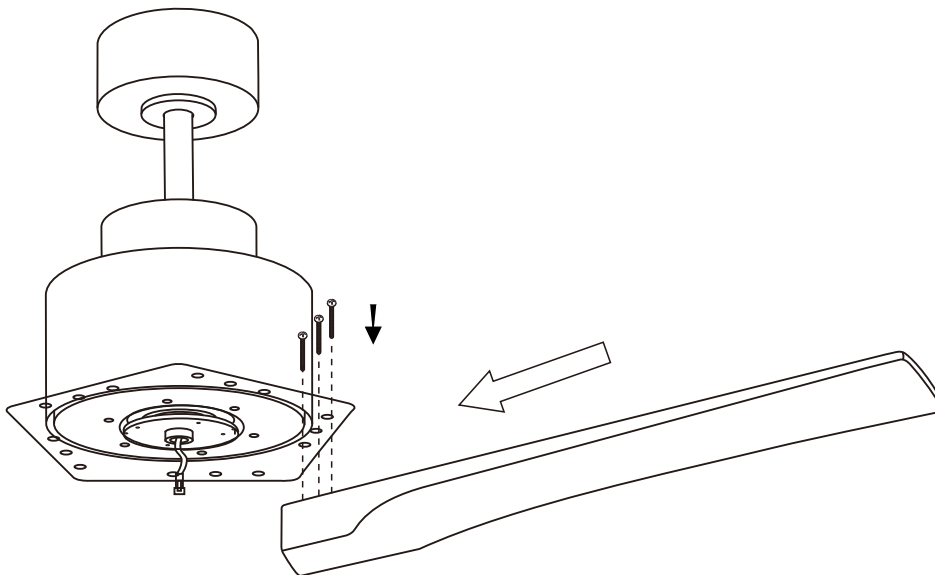
NOTE: Your fan blades are reversible. Select the blade side finish which best accentuates your decor.



NOTE: Your fan features revolutionary advancements for quick and easy blade installation. Including an alignment post and captive blade arm screws.



1. First, Remove the six screws on the motor and use the screws to install the Leaf shelf disk.

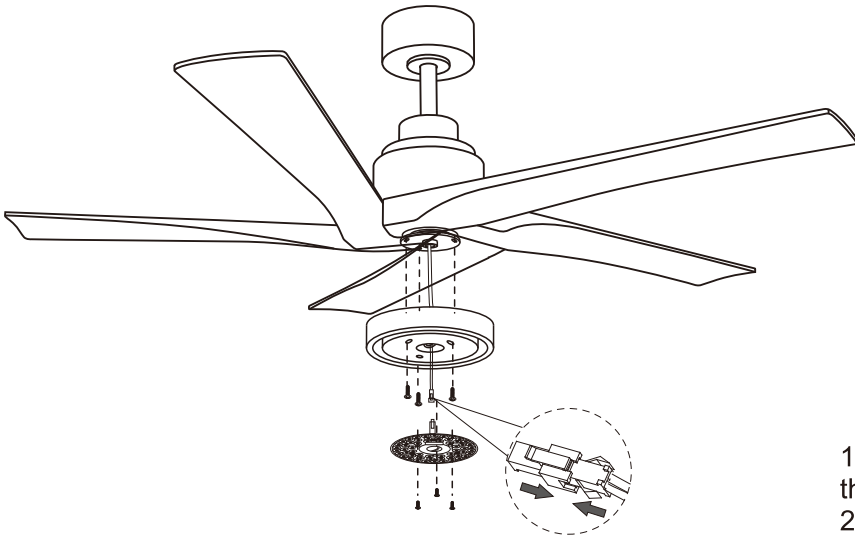


2. Thread the screw through the leaf shelf disk and then into the blade to lock it tightly, Then use the blade connecting screws to lock the blades in sequence.

# 09) Assembly – Attaching the Lights

## 1. Connecting lamp wire

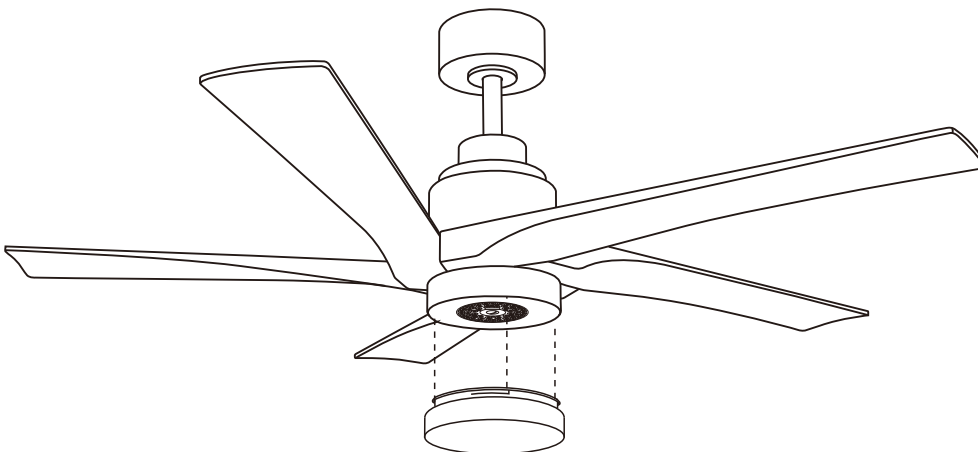
**CAUTION:** To reduce the risk of electric shock, disconnect the electrical circuit to the fan before installing the light fixture.



1. Remove three screws from the motor to lock the lamp disc tightly.
2. Remove the three screws from the light source, Connect the wires of the fan and light kit.
3. Lock the light source onto the lamp panel using the three removed screws.

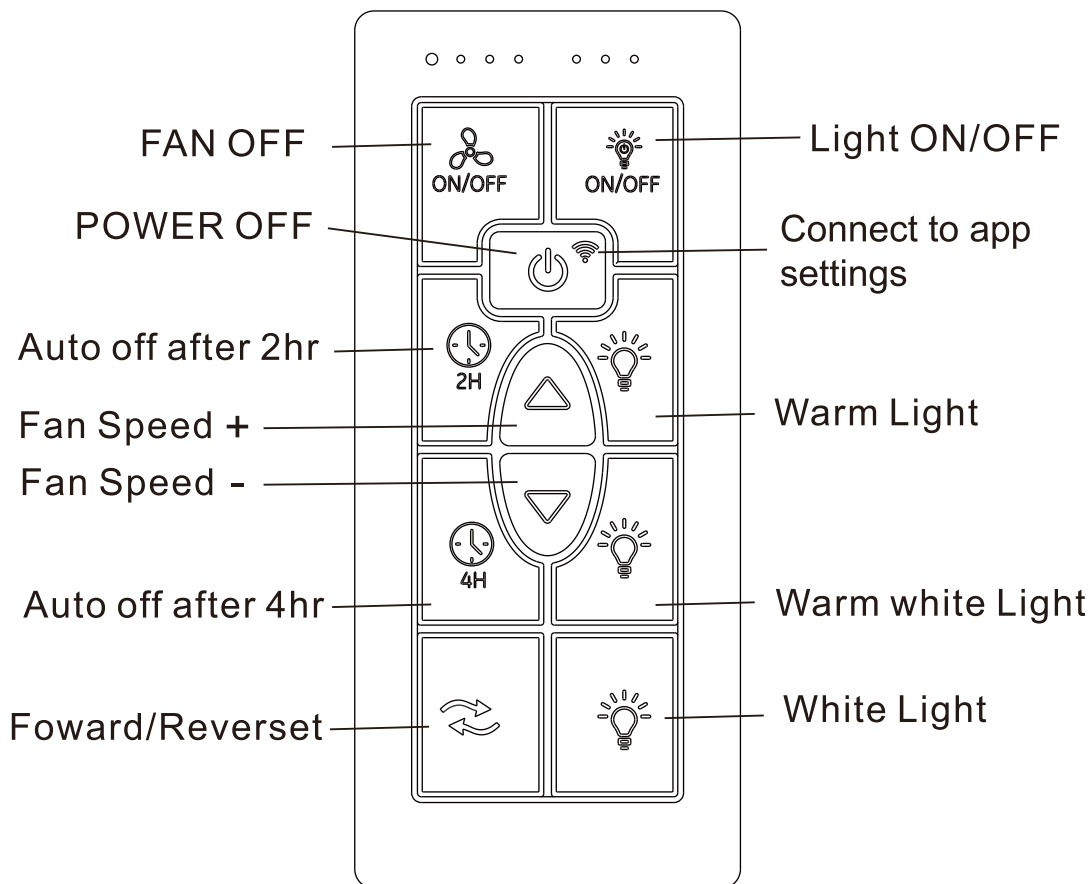
---

## 2. Install the lamp cover



Install the lamp cover as shown

## 10) Use of remote control

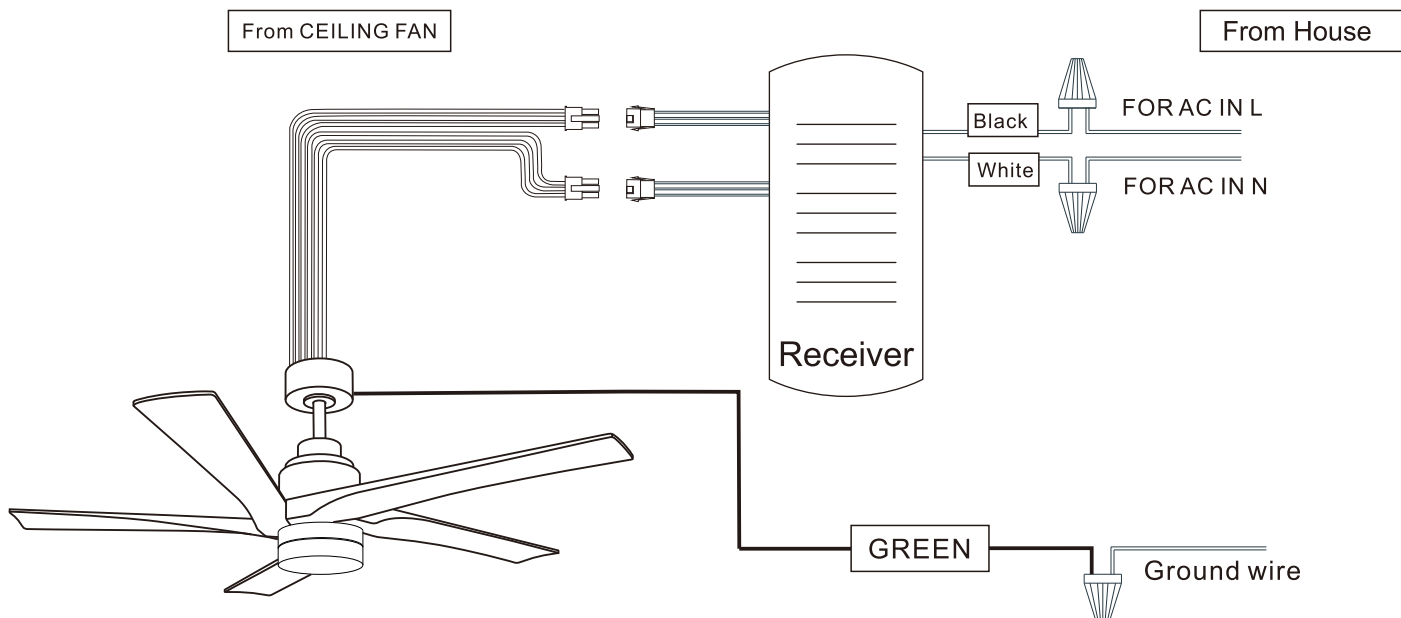


## 11) Remote control wiring diagram

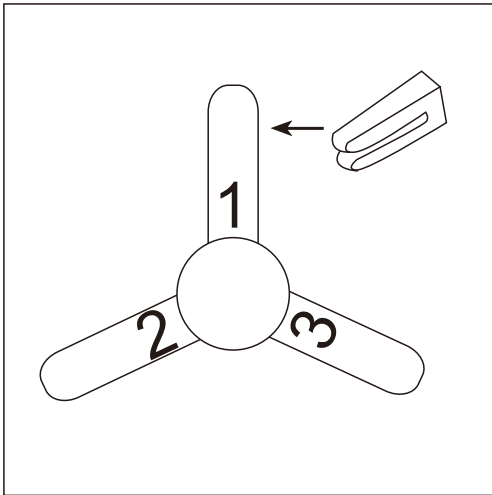


**WARNING:** Turn off the electric power during installation and making wire connection.

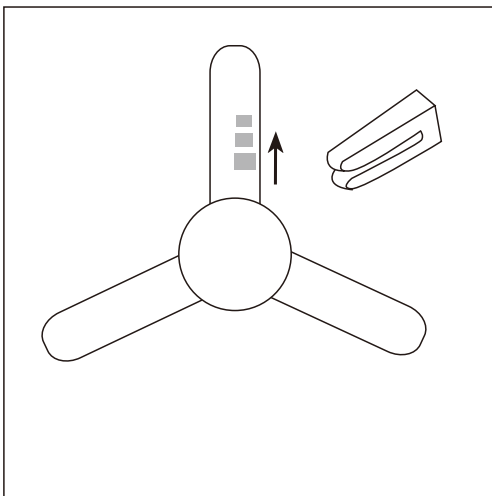
1. Connect the wire which from ceiling fan into the receiver.
2. Connect the wire from receiver with the wire from house.



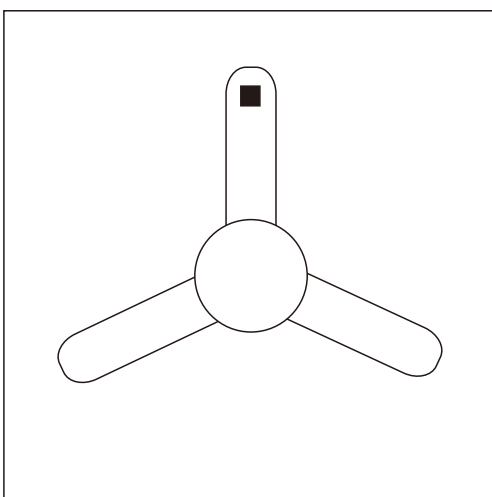
## 12) Fans Balance



Put the clip in the center of a blade. turn on the fan and if the shake persists, put the clip in another blade until the shake is reduced. Then this blade will need the counterweight.



Place the clip on the blade that needs the counterweight and try the best place to place it, from the center to the tip of the blade, until the wobble disappears.



Paste the counterweight on the surface of the blade which near the clip, remove the clip and test the fan. If it keep staggering, put another counterweight. if it gets worse, try another better area to place it. please try it patiently till the fan is balance.

## 13) Care and Cleaning



**WARNING:** Make sure the power is off before cleaning your fan.

- Because of the fan's natural movement, some connections may become loose. Check the support connections, brackets, and blade attachments twice a year. Make sure they are secure. It is not necessary to remove the fan from the ceiling.
- Clean your fan periodically to help maintain its new appearance over the years. Do not use water when cleaning, as this could damage the motor or the wood, or possibly cause an electrical shock. Use only a soft brush or lint-free cloth to avoid scratching the finish. The plating is sealed with a lacquer to minimize discoloration or tarnishing.
- You can apply a light coat of furniture polish to the wood for additional protection and enhanced beauty. Cover small scratches with a light application of shoe polish.
- You do not need to oil your fan. The motor has permanently-lubricated sealed ball bearings.

## 14) Troubleshooting

Problem	Solution
The fan will not start	<ul style="list-style-type: none"> <li><input type="checkbox"/> Check the main and branch circuit fuses or breakers.</li> <li><input type="checkbox"/> Check the line wire connections to the fan and switch wire connections in the switch housing.</li> </ul>
The fan is noisy	<ul style="list-style-type: none"> <li><input type="checkbox"/> Ensure all motor housing screws are snug.</li> <li><input type="checkbox"/> Ensure the screws that attach the fan blade bracket to the motor hub are tight.</li> <li><input type="checkbox"/> Ensure the wire nut connections are not rattling against each other or the interior wall of the switch housing.</li> <li><input type="checkbox"/> Allow a 24-hour "breaking in" period. Most noises associated with a new fan disappear during this time.</li> <li><input type="checkbox"/> If you are using the ceiling Fan light kit, ensure the acrylic lamp shade be fixed properly.</li> <li><input type="checkbox"/> Ensure the canopy is a short distance from the ceiling. It should not touch the ceiling.</li> <li><input type="checkbox"/> Ensure your outlet box is secure and rubber isolator pads were used between the mounting plate and outlet box.</li> </ul>