

American Standard

# INSTALLATION INSTRUCTIONS

## Berwick® Boulevard® Pressure Balancing Bath and Shower Trim Kit

TU430507

TU430508

TU431507

TU431508



Thank you for selecting American Standard...  
the benchmark of fine quality for over 140 years.

To ensure that your installation proceeds smoothly-please  
read these instructions carefully before you begin.

For use with shower heads rated at 4.9 L/min (1.3 gpm) or higher.

### RECOMMENDED TOOLS



Plumber's Putty  
or Caulking



Teflon Tape



Phillips Screwdriver



Flat Blade Screwdriver



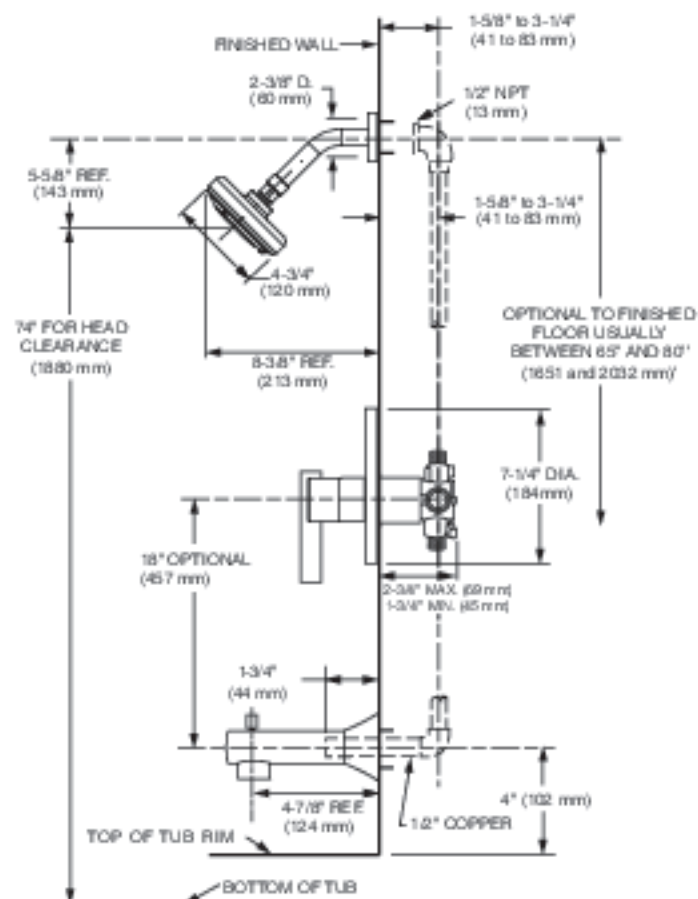
Adjustable Wrench



Channel Locks

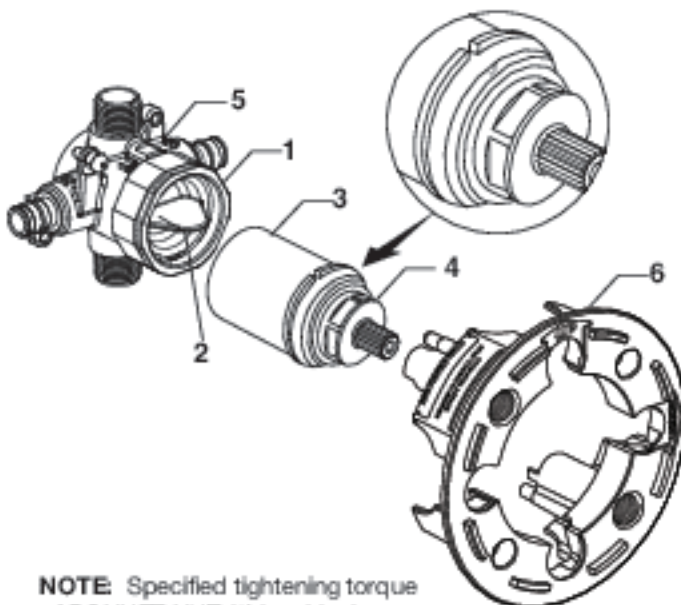
### ROUGHING-IN DIMENSIONS

- To assure proper positioning in relation to wall.  
Note roughing-in dimensions.



### 1 CARTRIDGE INSTALLATION

- Remove PLASTER GUARD (6)  
(Keep it installed for thin wall installation).
- Remove BONNET NUT (1) by unthreading it  
Counter clockwise. Remove test CAP (2).
- Remove PROTECTIVE HOUSING (3) from  
CARTRIDGE (4). Install with "UP" text on top.
- Reinstall BONNET NUT (1) onto VALVE BODY (5)  
and tighten firmly with 12 Nm or 9 lbs/ft.



**NOTE:** Specified tightening torque  
of BONNET NUT (1) is critical to  
assure sealing function.