

# Assembly Instructions

**CAUTION: You must read these Assembly Instructions before you proceed.**

## Care & Maintenance



• Not for commercial use. For residential use only.



• Do not put hot items directly on furniture surface.



• Do not clean furniture with harsh cleansers or polish.



• To obtain the longest lifespan of your outdoor product minimizing exposure to direct sunlight is recommended.



• Children should not climb or jump on the furniture.



• Do not write on furniture without a padded barrier to protect the surface.



• To obtain the longest lifespan of your outdoor products, avoid extended and lengthy exposure to rain, snow, and direct sunshine. Whenever possible cover the product and /or place under patio or awnings.



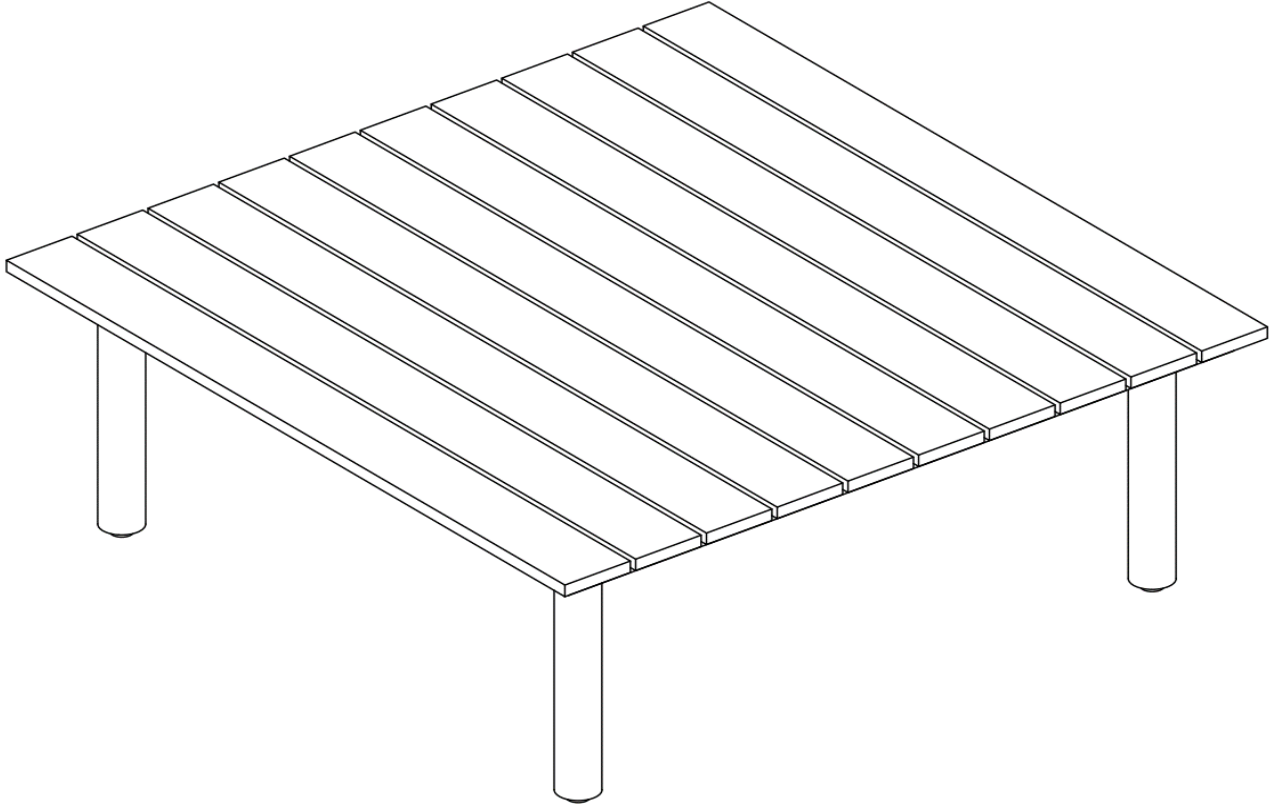
• Stains may be removed with mild soap solution and damp cloth.



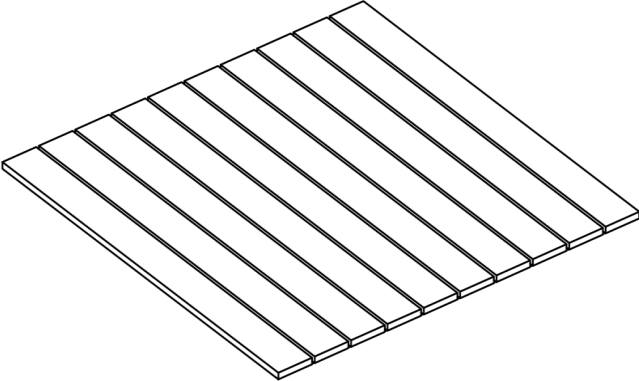
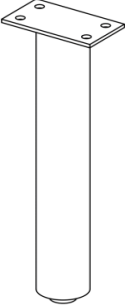
• Dust and pick-up spills using a clean, non-colored, lint-free cloth.

Please look in underneath of Table Top for hardware packs.


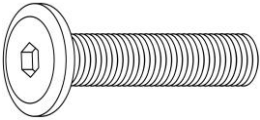
# TABLE



## Parts List:

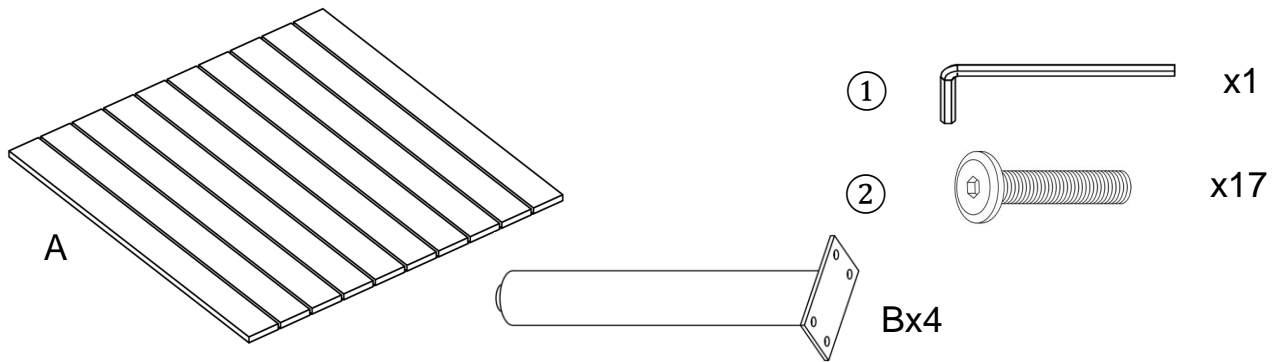
Label	Picture	Description	Qty
A		Table Top	1
B		Leg	4

## Hardware:

No	Picture	Description	Qty
①		Allen Wrench	1
②		Bolt (M6x15mm)	17

## Assembly Preparation:

### Before Beginning Assembly:



- Read instructions, cover to cover-



- Have 2 adults on hand for assembly-



- Do not assemble on flooring or carpet-



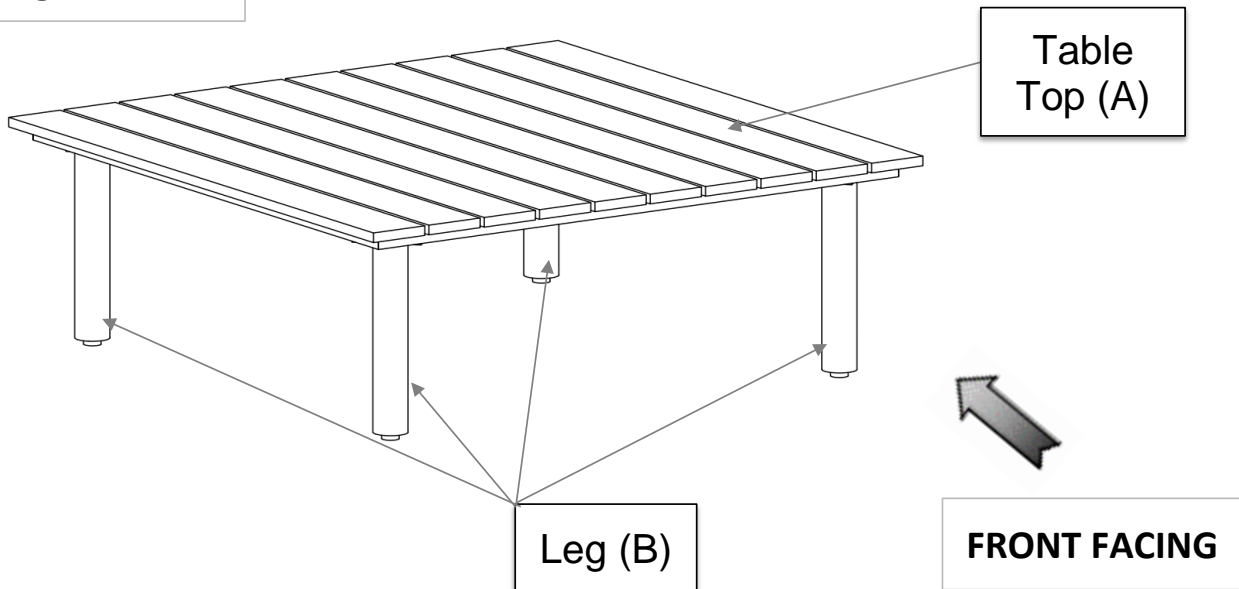
- Assemble on a clean non-marring surface (packing foam)-



- Save all packaging until finished-

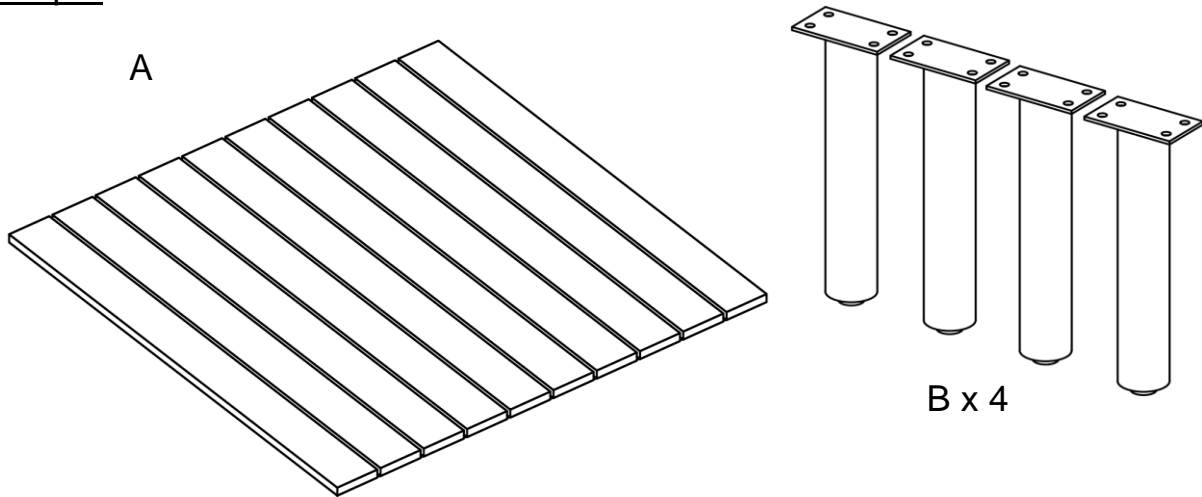
## Assembly Steps:

### OVERVIEW



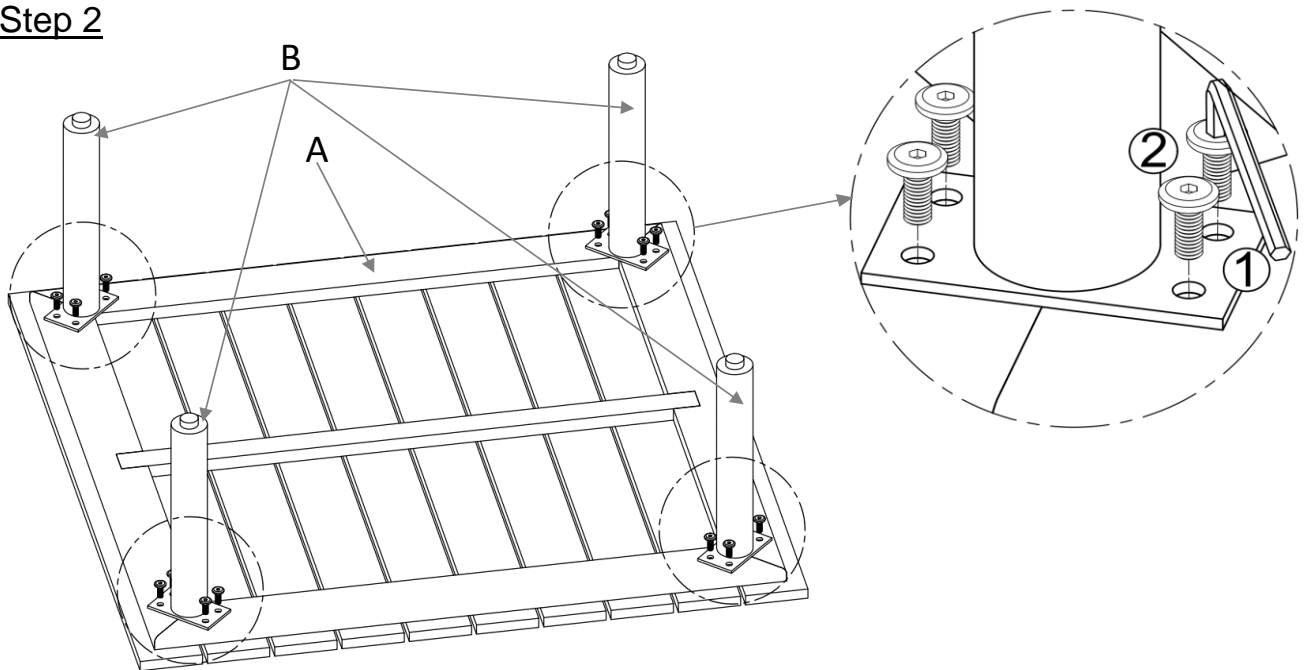
This Table has multiple parts and may require up to 10 minutes to assemble. To give you an overview of the Table, the above picture is to help you put the various parts into perspective. Please read through the instructions here below to familiarise yourself with the parts and steps before assembly.

**Step 1**



Unpack and place all parts on a clean, non-marring surface.

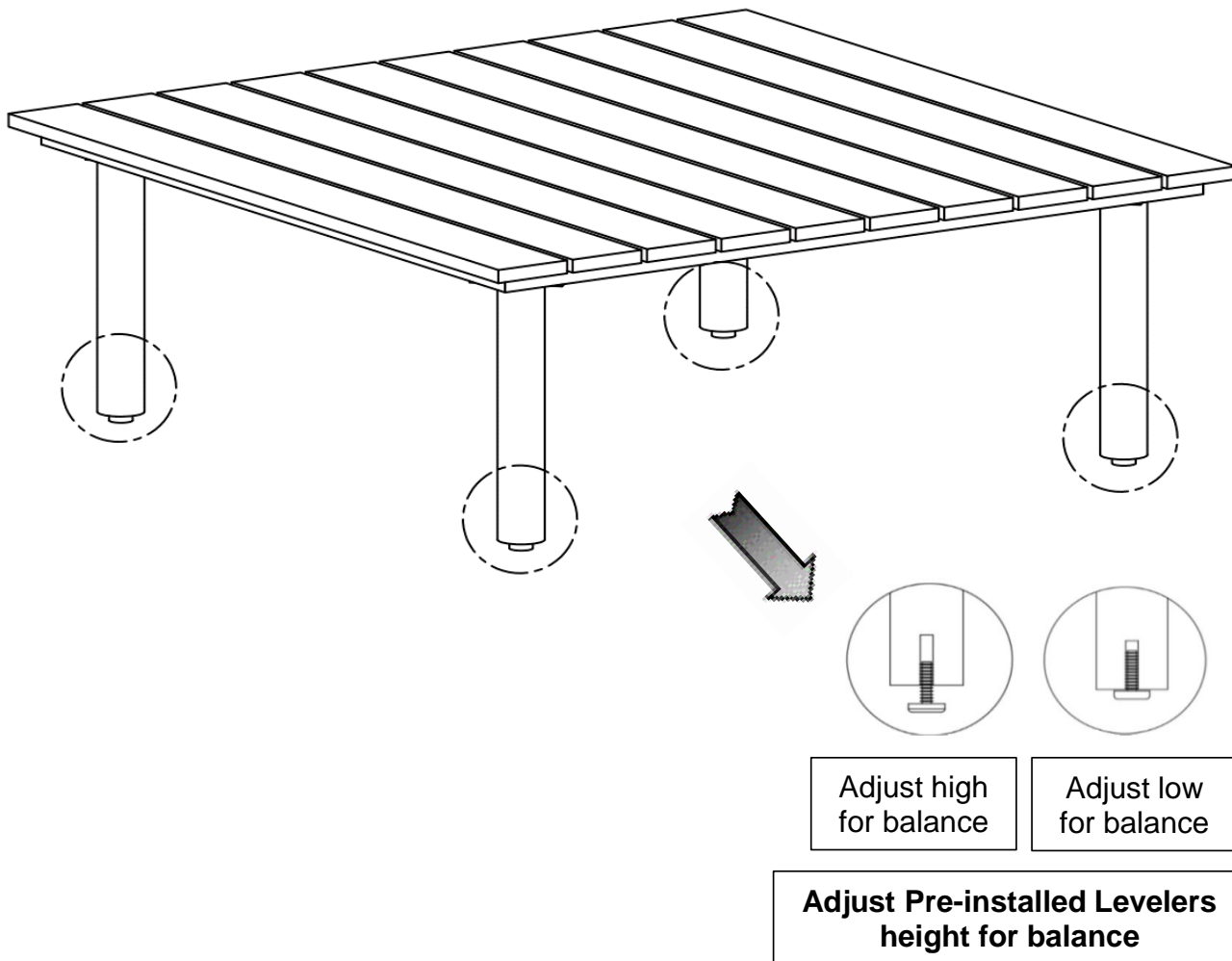
**Step 2**



With assistance from your adult partner, place the Table Top (A) facing down then attach Legs (B) to Table Top (A) by using Bolts (2) with Allen Wrench (1) as shown above.

**DO NOT fully tighten the Bolts.**

### Step 3



Inspect it and make sure all parts are adequately connected.

Stand the Table up.

Exert pressure floorwards, onto the Table with both your hands.

This pressure will help the Legs and Table Top reach full alignment status.

Check for wobbles on a LEVEL surface.

If no wobbles are found proceed to tighten the Bolts in a sequential manner, until evenly secured.

When tightening the Bolts tighten sequentially.

Do not tighten any Bolt fully and then move on towards the next one.

If there are still wobbles, loosen the Bolts and execute the same above process.

Adjust Pre-installed Levelers height for balance.

**WARNING!! IF TABLE IS NOT STABLE, IT COULD LEAD TO DAMAGING THE PRODUCT.**

**Your Table is ready for use.**

**This Table can only be used on a flat, level surface.**