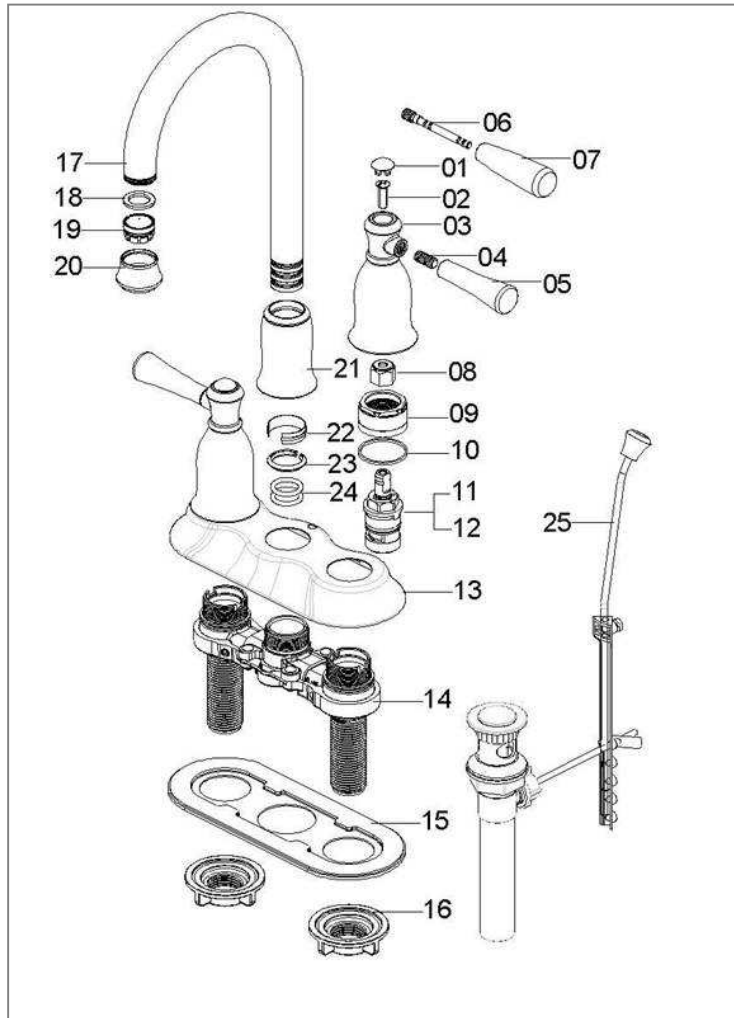


134905 Aerator Removal-Replacement Instructions



1. Unscrew the aerator shell (20) clockwise.
2. Take out the washer (18).
3. Replace with new aerator (19)
4. Put on the washer (18)
5. Screw the aerator shell (20) counter clockwise.