



Thank you for purchasing Leick Furniture products.  
Contact customer service for comments or concerns.

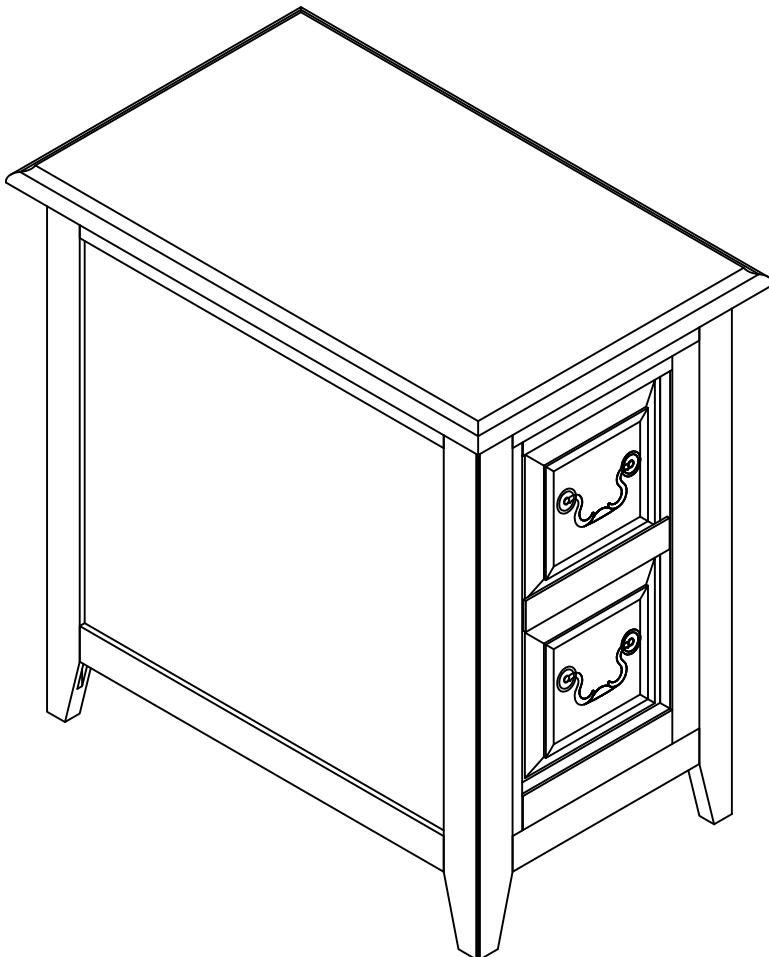
Sheboygan, WI





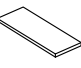





920-451-4060

info@leickfurnituresince1910.com

www.leickfurnituresince1910.com

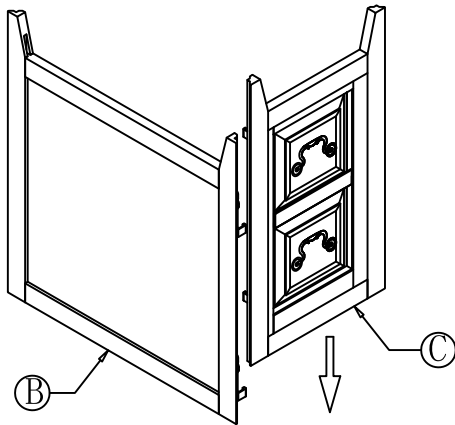
## Assembly Instructions, #10030 Chairside Cabinet



A: Top	
B: (2) Side Frames	
C: Front Frame	
D: Back Frame	
E: (2) Shelves	
F: (8) Shelf Supports	
G: (6) Bolts	
H : (6) Flat Washers	
I : (6) Lock Washers	
J: Allen Wrench	

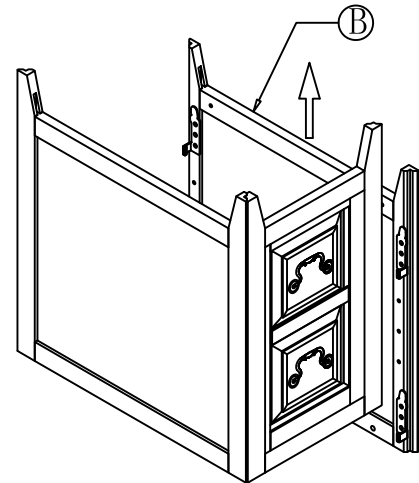
### Step 1

Assemble upside down. Put one side frame (B) to the front frame (C) making sure both corner fasteners line up. Tap down with your hand or a light tap with a hammer should do it.



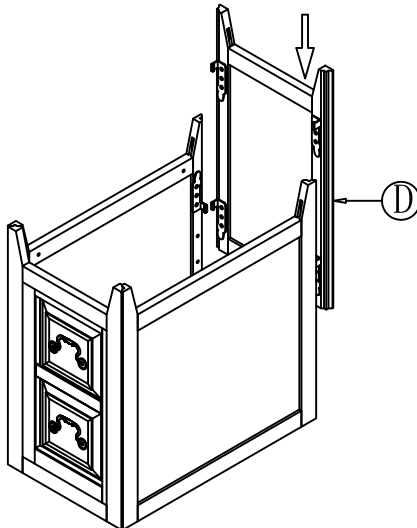
### Step 2

Do the same as step one with the other side frame (B) to the front frame (C).



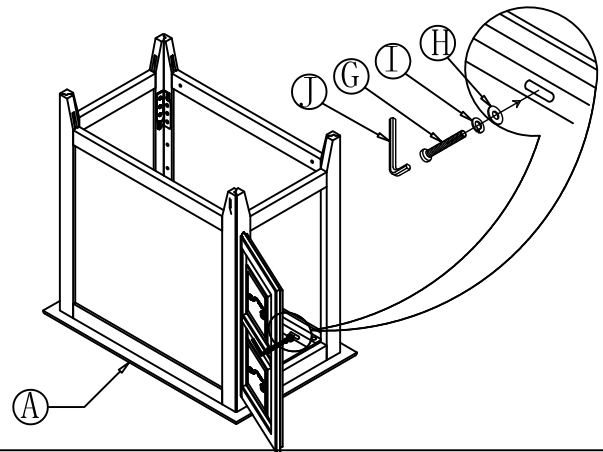
### Step 3

Line up the four corner fasteners of the back frame (D) and tap that down.



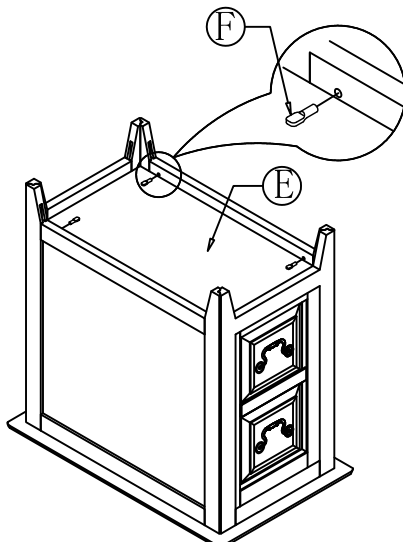
### Step 4

Put the top (A) upside down on a soft surface. Place the above side (front, back, and frame assembly) onto the top. Insert all the bolts through the cleats on the top into the table frames, tighten.



### Step 5

Place the bottom panel (E) into the table. It will rest on the corner fasteners. Insert shelf supports into holes.



### Step 6

Turn the table upright, then insert the shelf supports and shelf in though the door.

