

installation instructions:

Faux Wood Mantel

Safety Instructions

Make sure to use the correct tools recommended.

Wear proper protective gear.

Follow fixture, power tools, paint manufacturers' instructions, and users manuals.

Use common sense and follow good construction practices.

TOOL & MATERIAL CHECKLIST

- 2 x 4 (For Blocking)
- Construction Adhesive
- Power Drill
- Saw
- Chalk Line/Level
- Screws
- Stud Finder

SPECIAL INSTRUCTIONS & NOTES

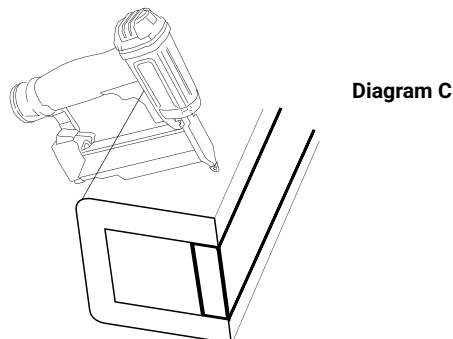
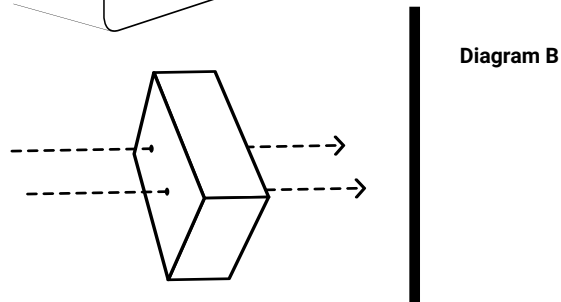
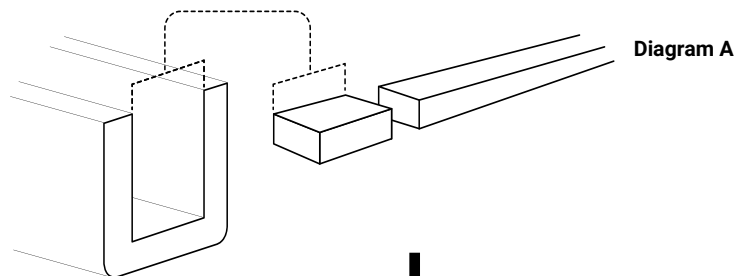
- Thoroughly read through the installation instructions to familiarize yourself with the process before beginning installation.
- Before installation acclimate the mantel to the room for at least 24 hours.

STEP BY STEP INSTRUCTIONS

1. If needed, measure inside width of the beam and cut wood blocking to fit inside width dimensions. (Diagram A)
2. Simply attach wood blocking into studs in desired installation location. (Diagram B)
3. Apply adhesive to the 2 x 4 blocking.
4. Slide mantel over the 2 x 4 and screw through the top of the mantel to anchor it into the 2 x 4. (You can apply adhesive on the edges of the mantel for extra security.) (Diagram C)

Note: We recommend using deck screws as the thread pattern is made to go through finer grained woods without splitting and reduces the chance of any damage.

EXAMPLE INSTALLATION DIAGRAMS



We Can Help. Call (866) 607-0453



Industry leading manufacturer of urethane, PVC, wood, rustic, and metal millwork
www.ekenamillwork.com