

ASSEMBLY INSTRUCTIONS

FULL LOW LOFT BED WITH LADDER

If you have any questions, please feel free to contact us.
Email: lowes.team@qualfurn.net



WF531952

SAFETY WARNINGS AND GENERAL NOTES:

Follow the information on the warnings on the loft bed end structure and on the carton. Do not remove the warning label from the bed. Always use the recommended size mattress on mattress support, or both, to help prevent the likelihood of entrapment or falls.

The top surface of the mattress must be at least 5*inch (127mm) below the upper edge of the guardrail.

Do not allow children under 6 years of age to use the upper bunk.

Periodically check and ensure the guardrail, ladder and other components are in their proper position, free from damage, and all connectors are tight.

Do not allow horseplay on or under beds.

Always prohibit jumping on the bed.

Prohibit more than one person on upper bunk.

Always use the ladder for entering and leaving the upper bunk.

Do not use substitute parts. Contact the manufacturer or dealer for replacement parts.

Use of a night-light may provide added safety precaution for a child using the upper bunk.

Always use guardrails on both long sides of the upper bunk.

If the loft bed will be placed next to a wall, the guardrail that runs the full length of the bed should be placed against the wall to prevent entrapment between the bed and the wall.

The use of water or sleep flotation mattresses is prohibited.

STRANGULATION HAZARD-Never attach or hang items to any part of the loft bed that are not designed for use with the bed.

Keep these instructions for future reference.

We recommend assembling your loft bed on the shipping carton to protect your floor or carpet.

Be certain all staples are out of the box before beginning assembly on the shipping carton.

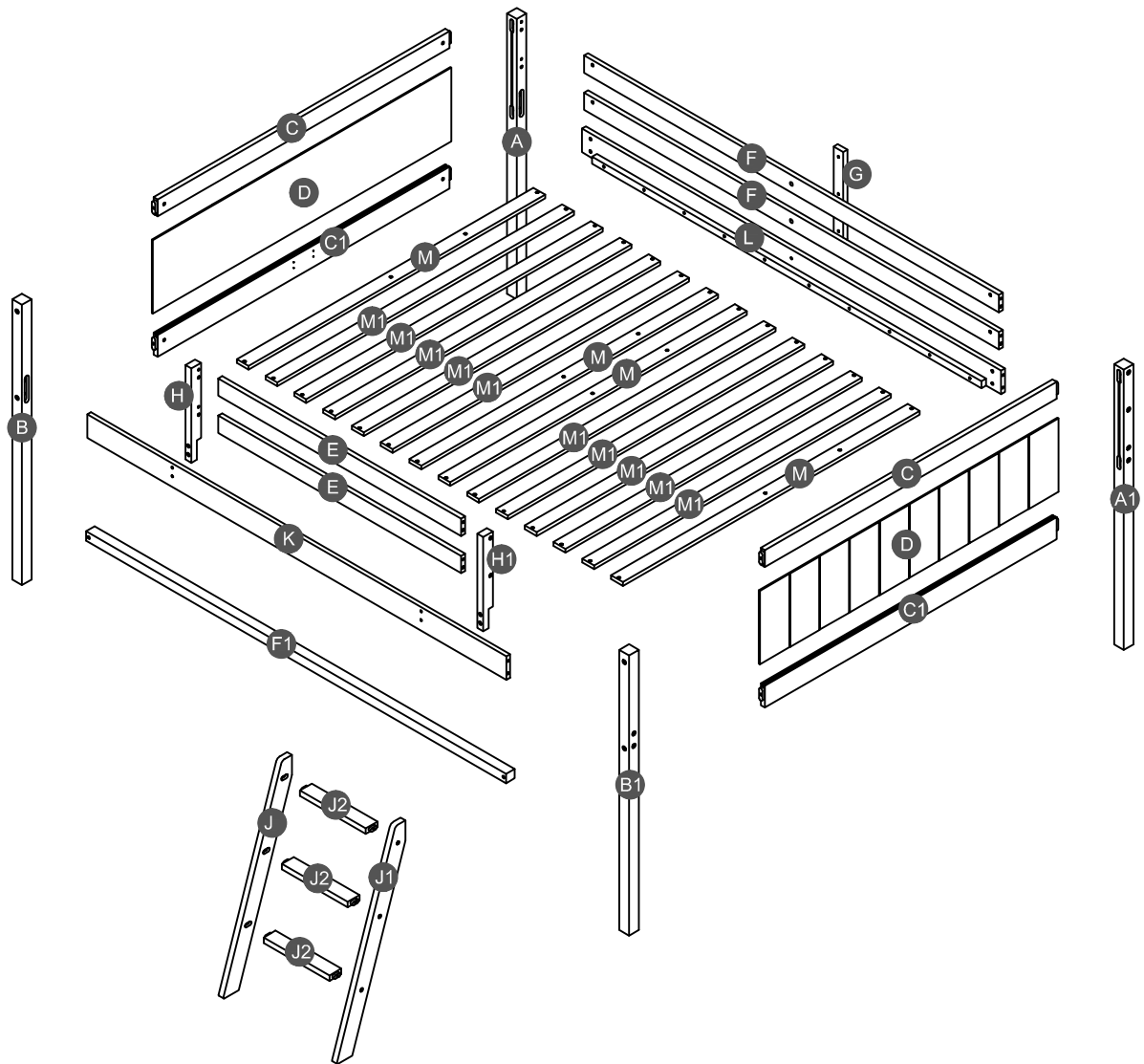
USE ONLY MATTRESSES WHICH ARE 74"-75" LONG AND 54" WIDE ON UPPER. ENSURE THICKNESS OF MATTRESS DOES NOT EXCEED 6".

SURFACE OF MATTRESS MUST BE AT LEAST 5" (127MM) BELOW THE UPPER EDGE OF GUARDRAILS.

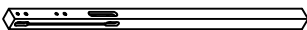
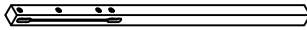
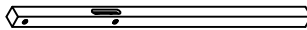
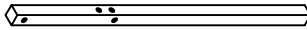
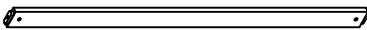
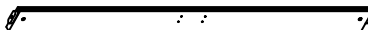

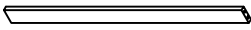

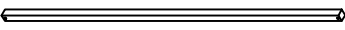

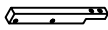
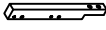
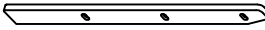
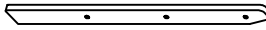
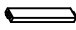
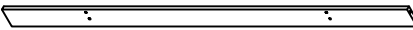



Replacement Parts:

Replacement Parts, including additional guardrails, may be obtained from any of our (GIGACLOUD TECHNOLOGY (USA) INC. 4388 SHIRLEY AVE, EL MONTE, CA 91731) dealers

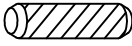

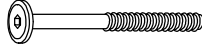








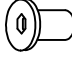
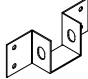
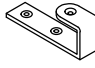


Detail View



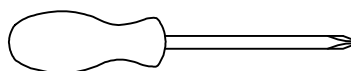
Part List

<p>A</p>  <p>Leg (Left back) - 1pc</p>	<p>A1</p>  <p>Leg (Right back) - 1pc</p>	<p>B</p>  <p>Leg (Left front) - 1pc</p>
<p>B1</p>  <p>Leg (Right front) - 1pc</p>	<p>C</p>  <p>Upper horizontal bar HB/FB - 2pcs</p>	<p>C1</p>  <p>Lower horizontal bar HB/FB - 2pcs</p>
<p>D</p>  <p>Side panel HB/FB - 2pcs</p>	<p>E</p>  <p>Short guard rail (Front) - 2pcs</p>	<p>F</p>  <p>Long guard rail (Back) - 2pcs</p>
<p>F1</p>  <p>Lower support slat - 1pc</p>	<p>G</p>  <p>Vertical guard rail (Back) - 1pc</p>	<p>H</p>  <p>Vertical guard rail (Left) - 1pc</p>
<p>H1</p>  <p>Vertical guard rail (Right) - 1pc</p>	<p>J</p>  <p>Ladder (left) - 1pc</p>	<p>J1</p>  <p>Ladder (right) - 1pc</p>
<p>J2</p>  <p>Step ladder - 3pcs</p>	<p>K</p>  <p>Side rail (Front) - 1pc</p>	<p>L</p>  <p>Side rail (Back) - 1pc</p>
<p>M</p>  <p>Slat - 4pcs</p>	<p>M1</p>  <p>Slat - 10pcs</p>	

Hardware List

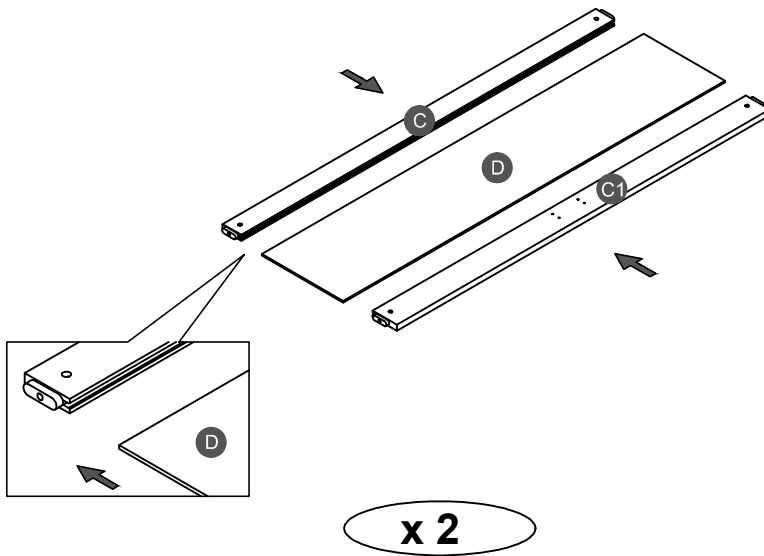
1  Ø10*40mm Wood dowel (8pcs)	2  (Ø15)1/4"*100mm Hex-Head bolts (12pcs)	3  (Ø15)1/4"*80mm Hex-Head bolts (12pcs)
4  (Ø12)1/4"*60mm Hex-Head bolts (6pcs)	5  (Ø12)1/4"*40mm Hex-Head bolts (2pcs)	6  (Ø12)1/4"*35mm Hex-Head bolts (4pcs)
7  (Ø12)1/4"*30mm Hex-Head bolts (3pcs)	8  1/4"*15 (9.5mm) Horizontal-Hole bolts(30pcs)	9  Ø4*30mm Wood screws (32pcs)
10  Ø4*19mm Wood screws (10pcs)	11  Ø3.5*15mm Wood screws (8pcs)	12  (Ø13)1/4"*14mm Connect bolt (2pcs)
13  116*40*27mm Metal bracket (2pcs)	14  81*26*21 (2.5mm) Hooks (2pcs)	15  21*21*17*1.7mm Metal bracket (2pcs)
16  (1/4")4.5*58mm Allen key (2pcs)		

ASSEMBLY TOOLS REQUIRED (NOT INCLUDED)

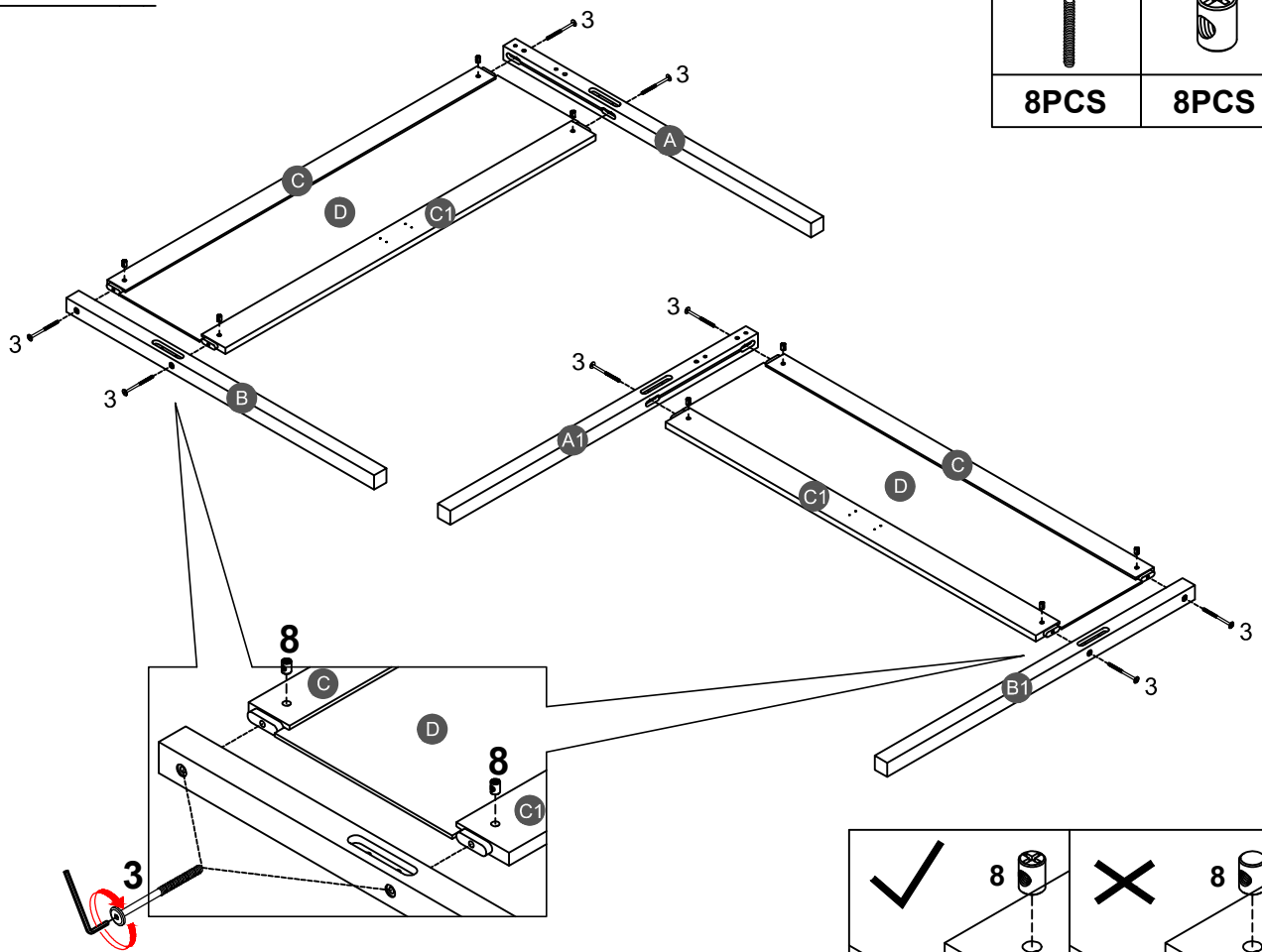


PLEASE BE CAREFUL DO NOT DAMAGE THE HOLE POSITION WHEN YOU USE POWER TOOLS !

STEP 1:

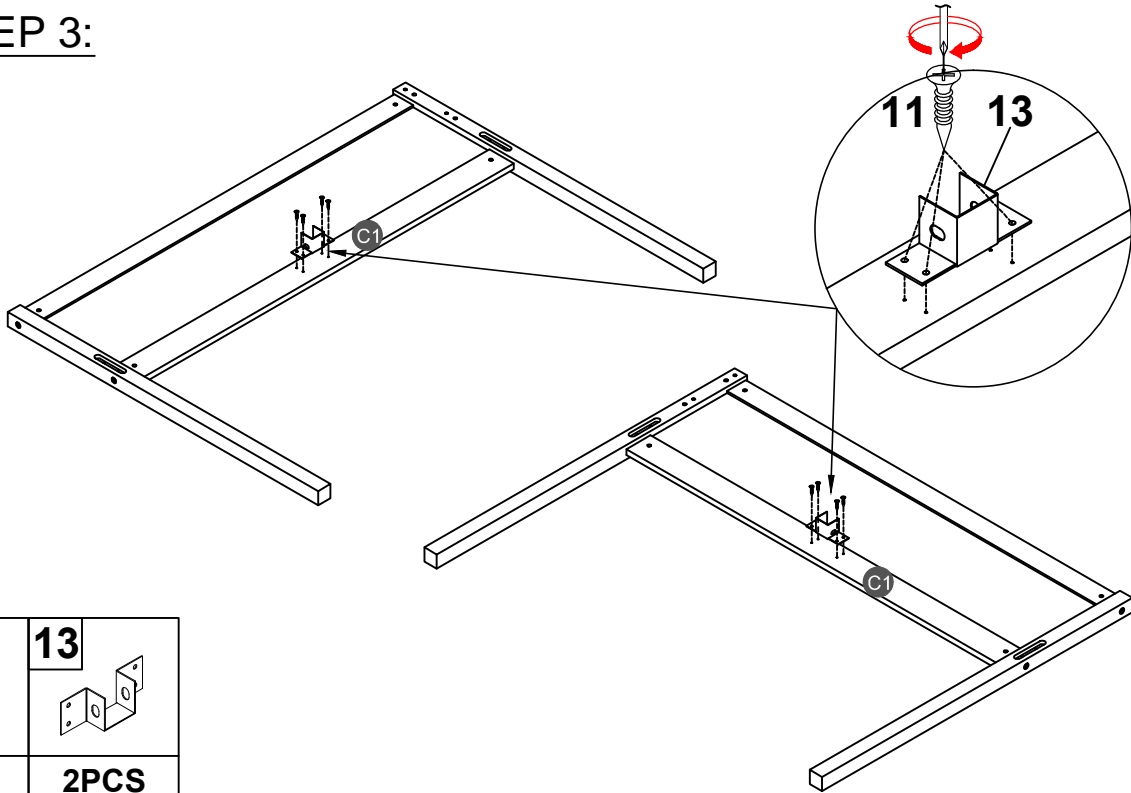



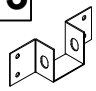
STEP 2:



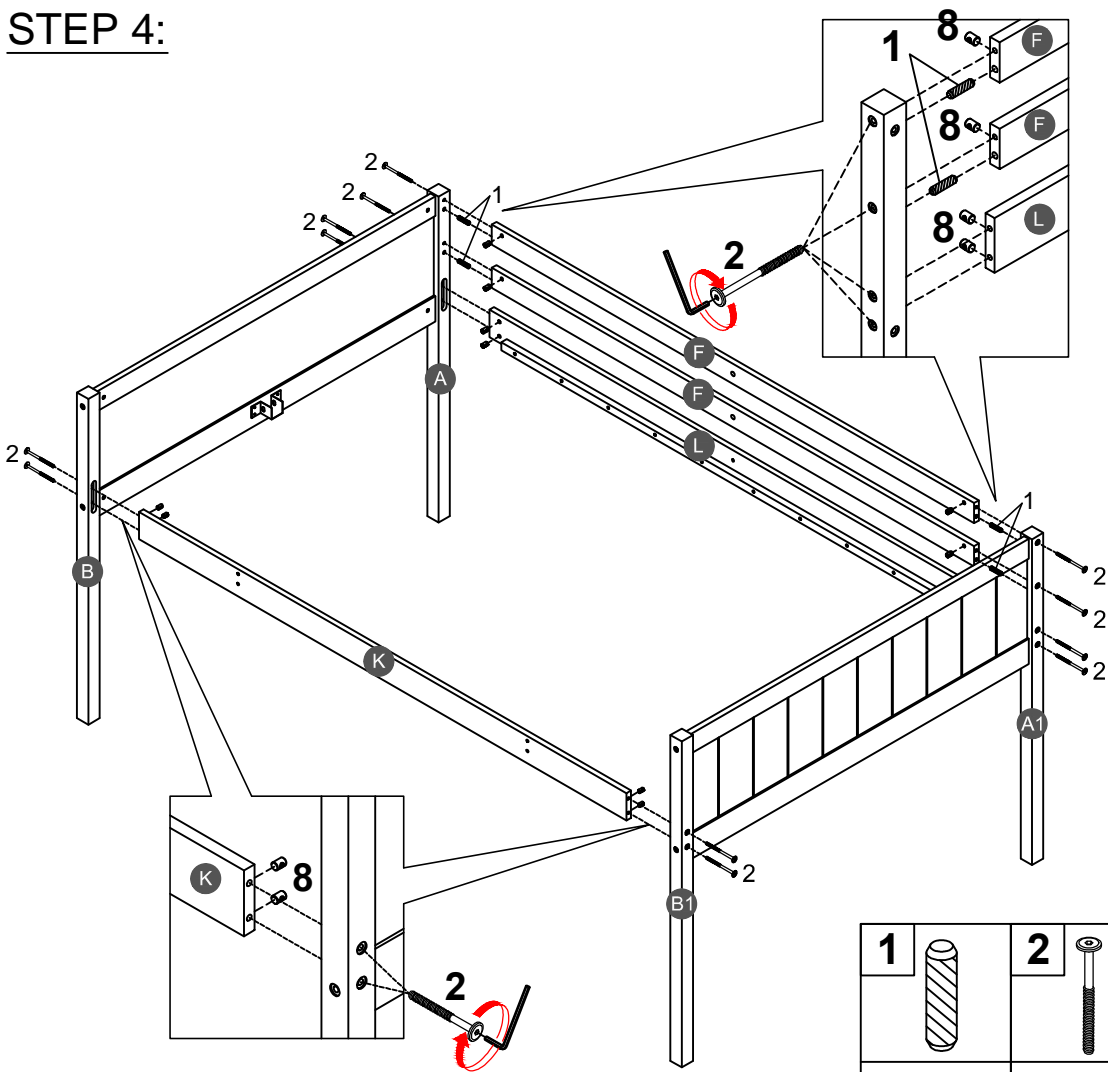
Note: Part 8 will face up with the "x" mark on it, otherwise it cannot be tightened




STEP 3:



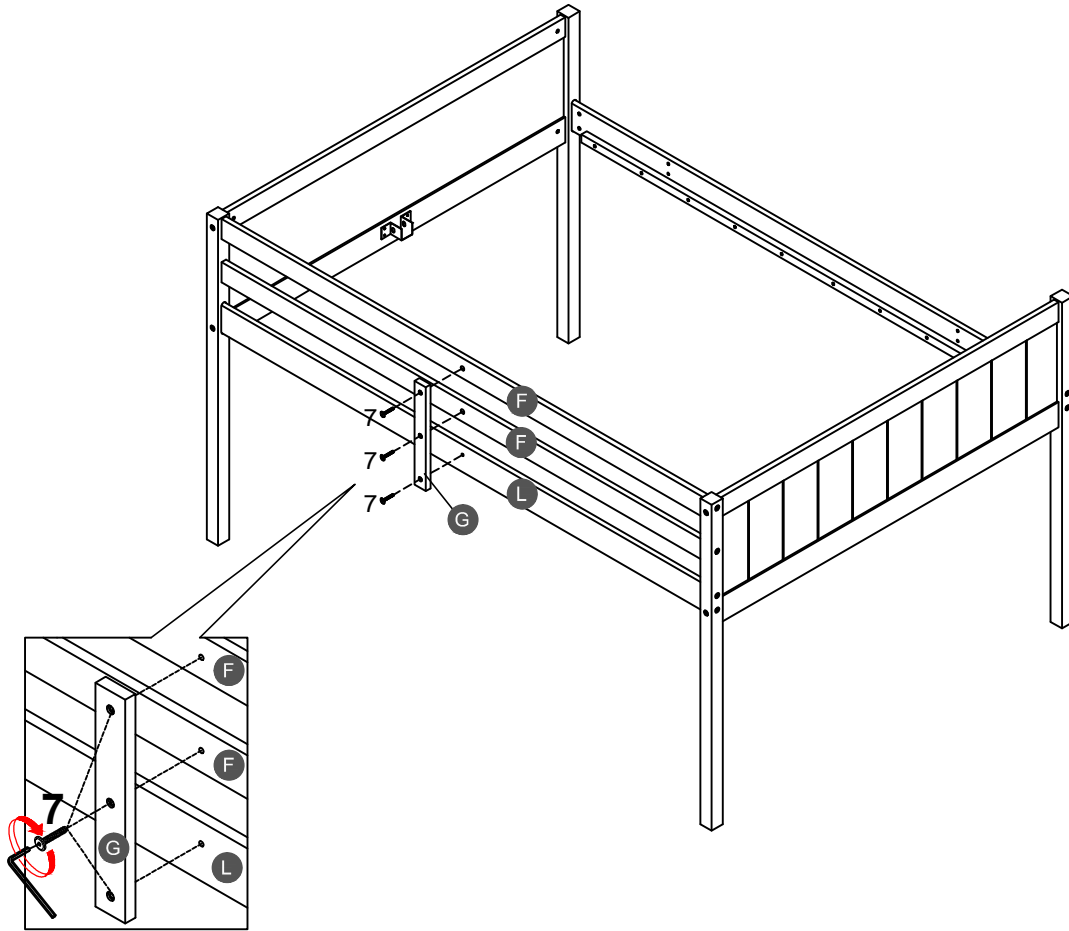
11 	13 
8PCS	2PCS

STEP 4:



1 	2 	8 
4PCS	12PCS	12PCS

STEP 5:

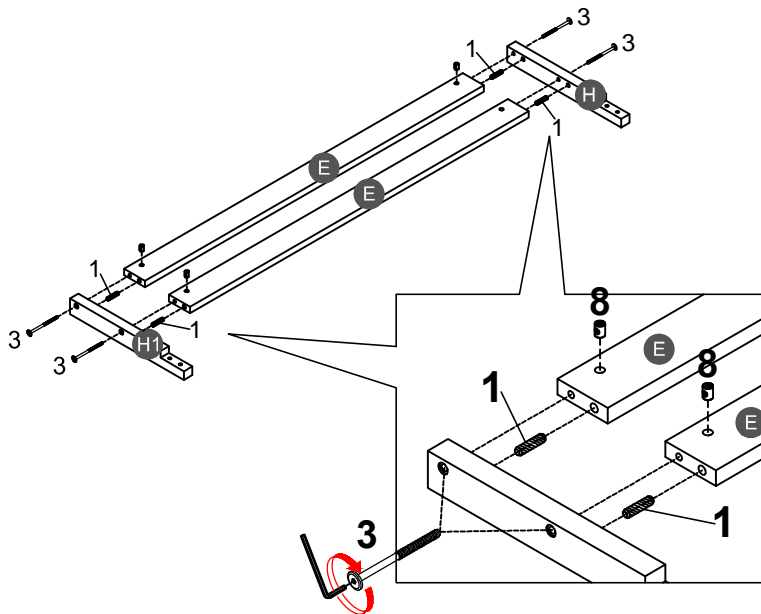


7



3PCS

STEP 6:



1



4PCS

3



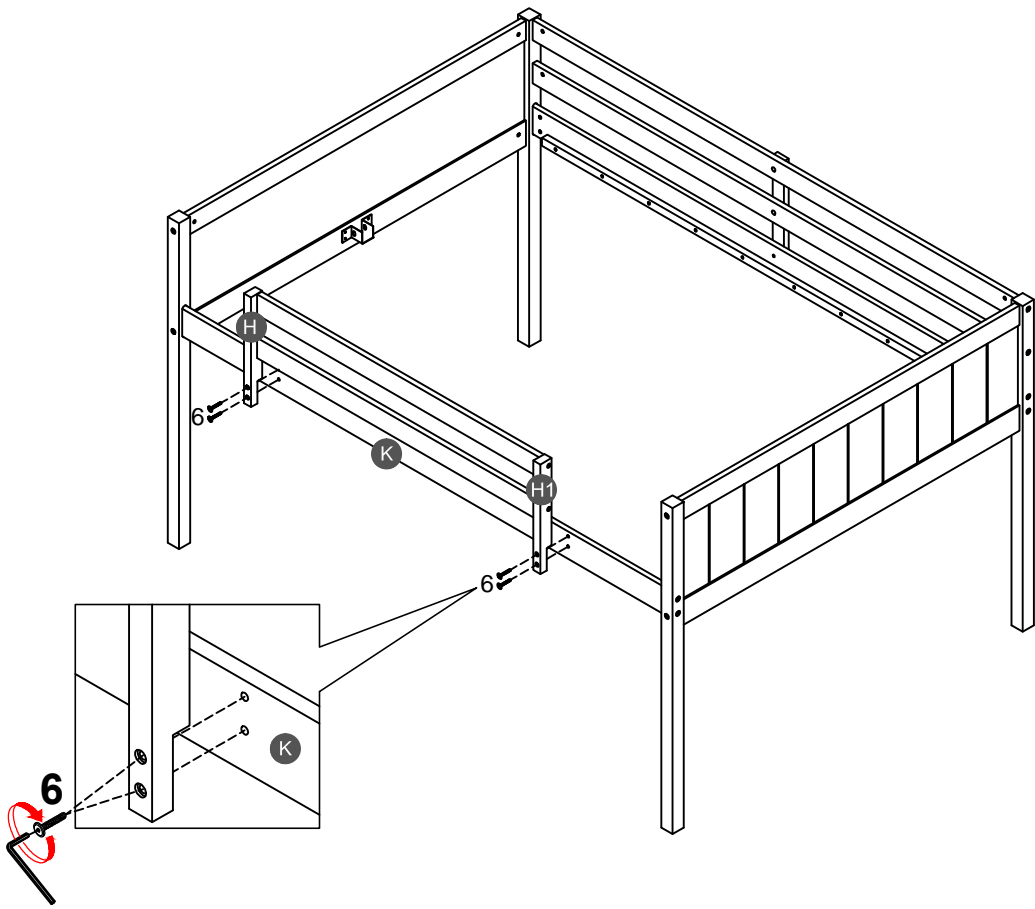
4PCS

8



4PCS

STEP 7:

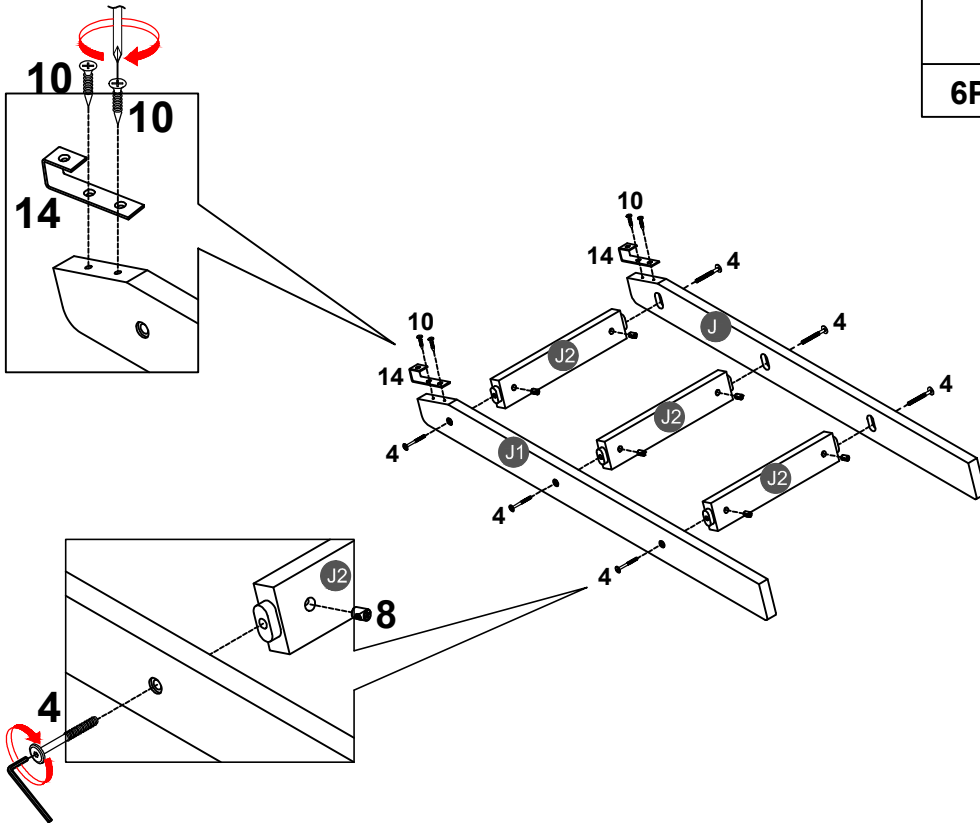


6



4PCS

STEP 8:



4



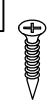
6PCS

8



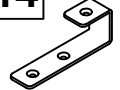
6PCS

10





4PCS

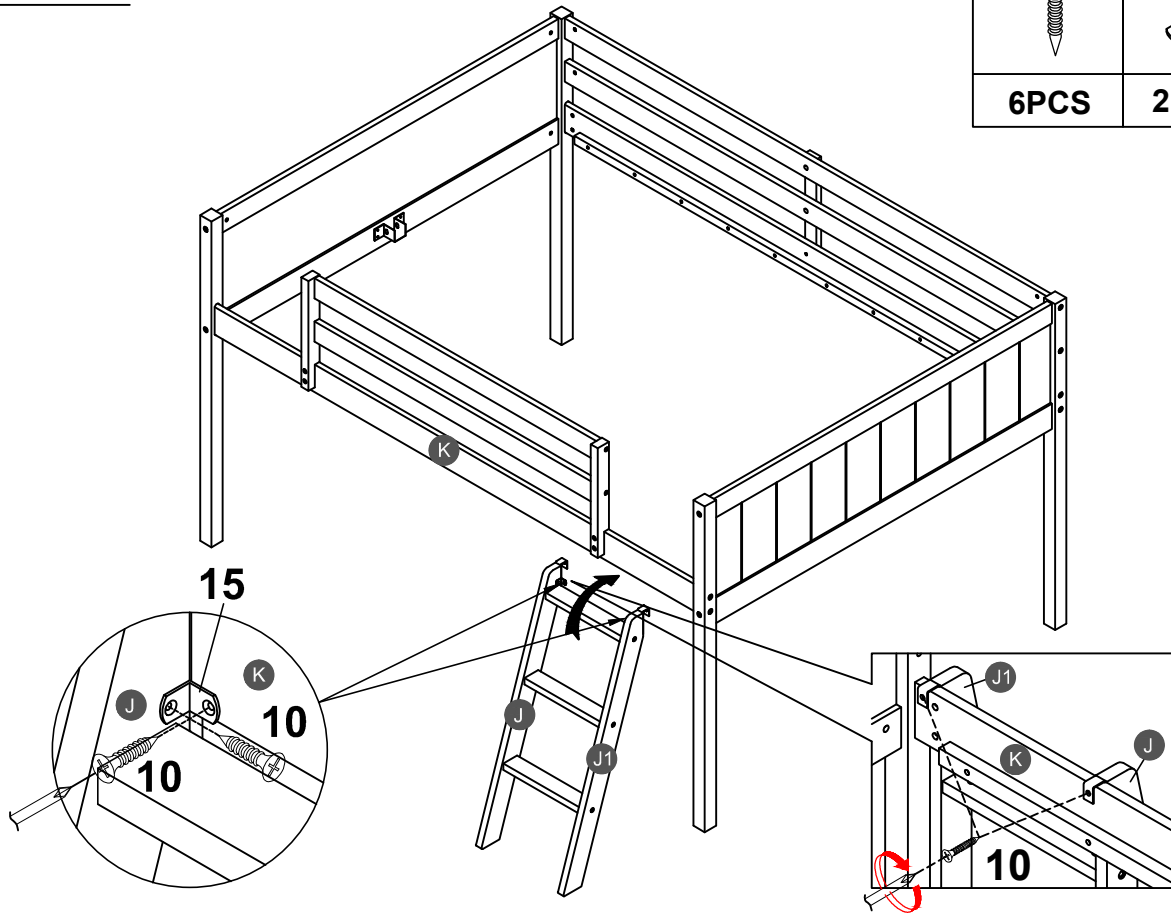
14




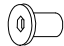
2PCS

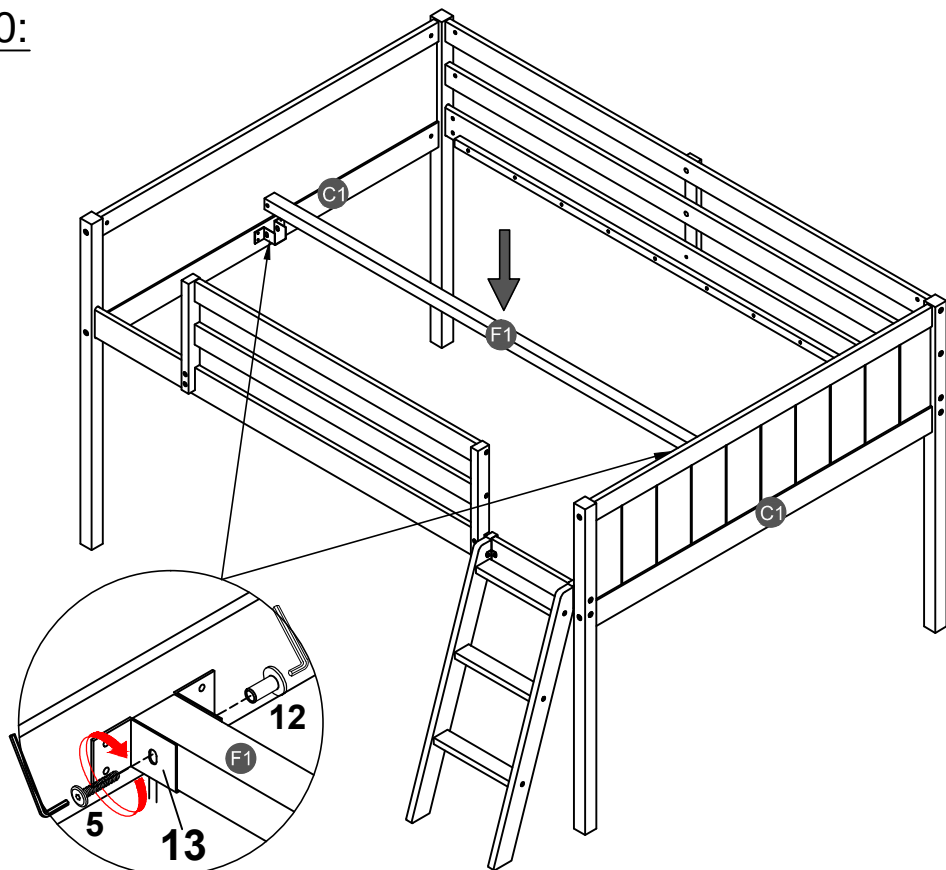
STEP 9:

10		15	
6PCS		2PCS	

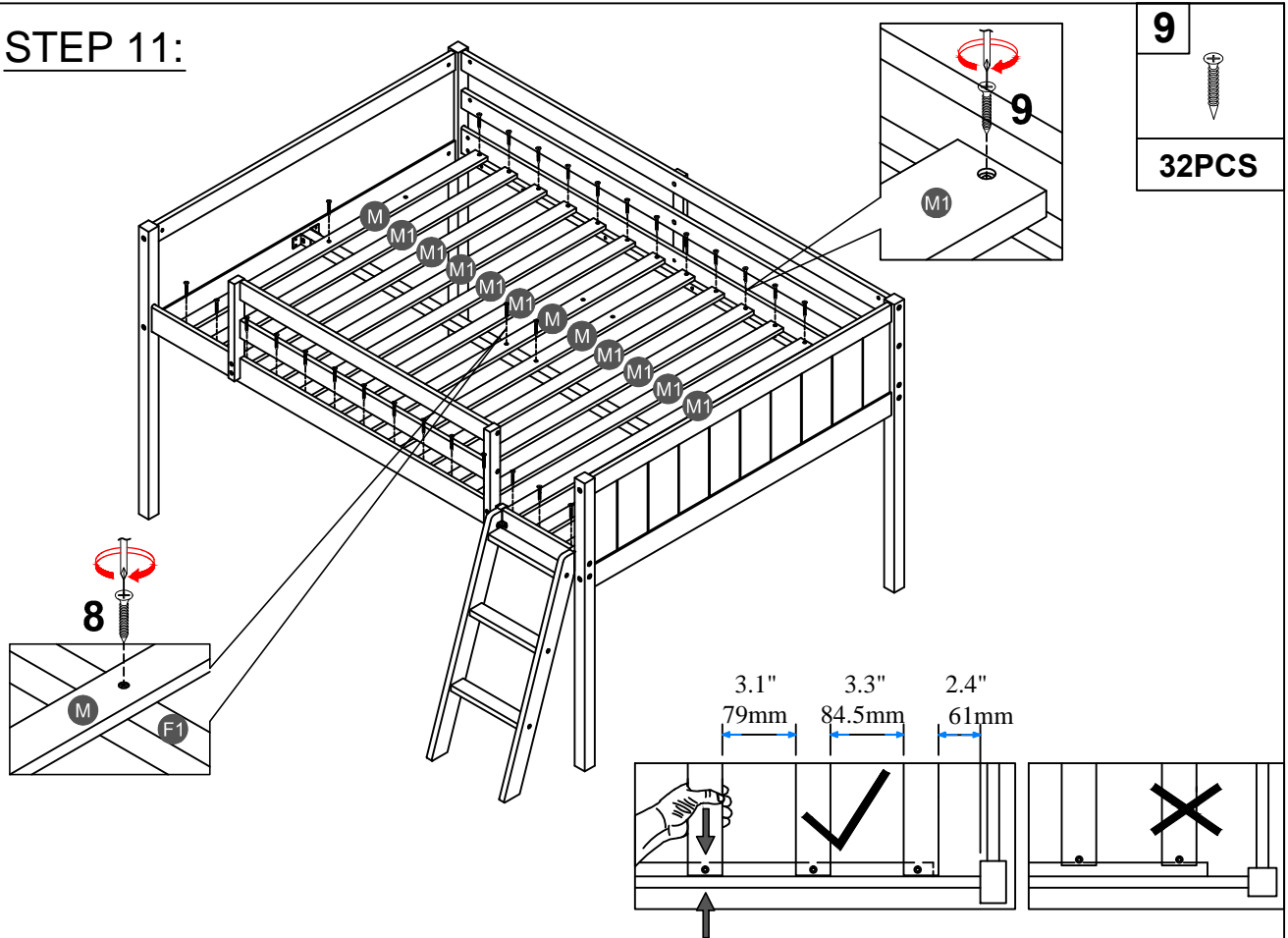


STEP 10:

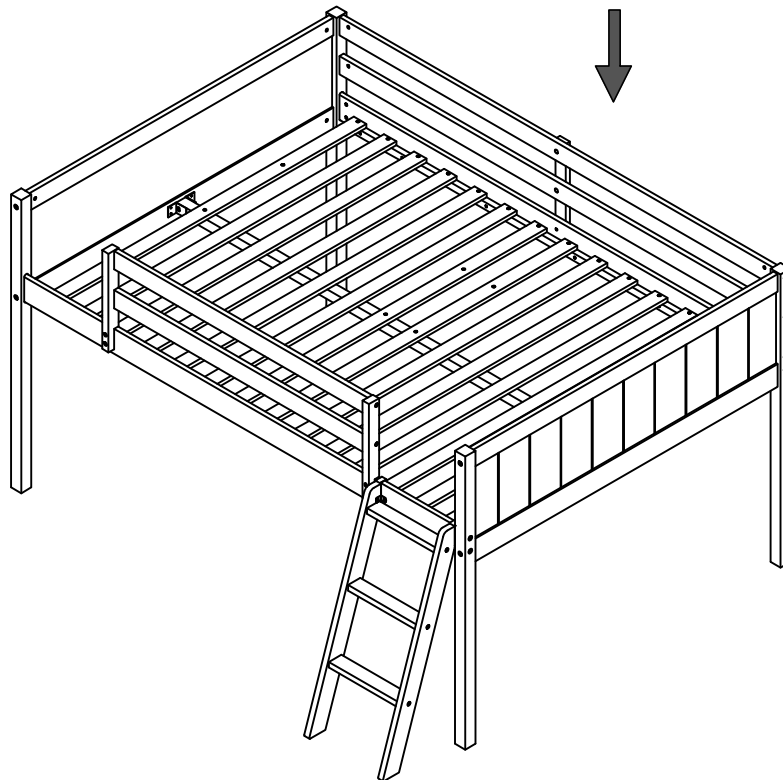
5	
2PCS	
12	
2PCS	



STEP 11:



NOTE: Please make sure the bed slats close to the side rail before locking the screws to avoid breakage. This step is required for both the left and right sides. Moreover, please do not lock the screws of the bed slats at the outermost edge to avoid damaging.



Make sure to tighten all the screws of the bed.