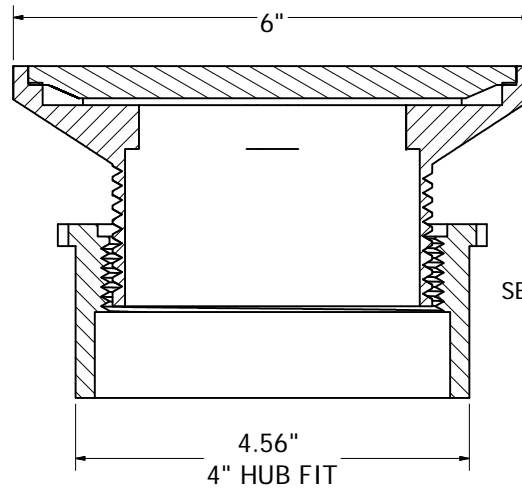
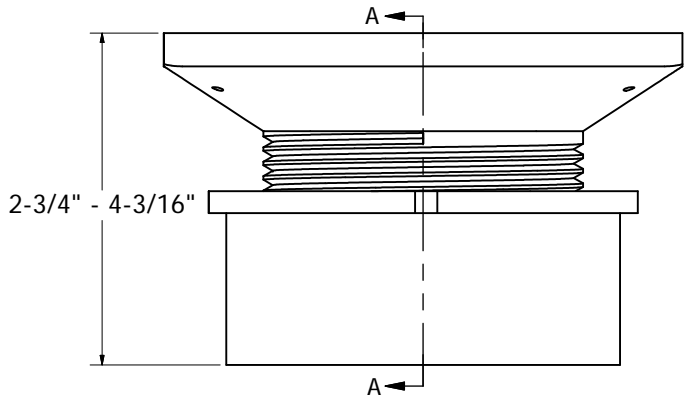
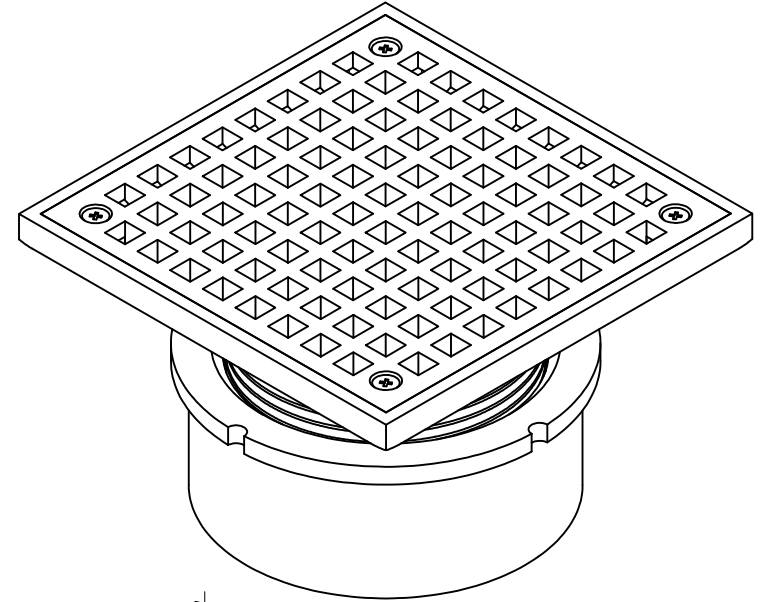
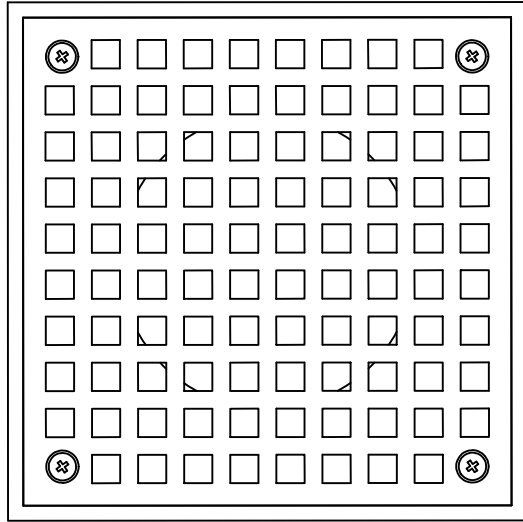


4" HUB FIT BASE WITH 3-1/2" METAL SPUDS 5" OR 6" SQUARE STRAINER FITS INSIDE 4" SCHEDULE 40 DWV PIPE



SECTION A-A  
SCALE .9



|                                |          |        |        |        |        |  |  |  |  |
|--------------------------------|----------|--------|--------|--------|--------|--|--|--|--|
| PHONE NUMBER<br>1-800-355-6637 | PART NO. | D53066 | D53067 | D53070 | D53071 |  |  |  |  |
| FAX NUMBER<br>1-800-462-6991   | STRAINER | 6" PB  | 6" PB  | 6" NB  | 6" NB  |  |  |  |  |
| SCALE<br>.9 : 1                | MATERIAL | PVC    | ABS    | PVC    | ABS    |  |  |  |  |
| DATE<br>11-23-10               |          |        |        |        |        |  |  |  |  |
| SHEET<br>1 OF 1                |          |        |        |        |        |  |  |  |  |
| DRAWN BY<br>ASHLEY KRALOVEC    |          |        |        |        |        |  |  |  |  |