



Installation Guide

TWO-PIECE PEDESTAL SINK



Tools and Materials



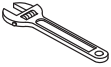
Safety Glasses



Measuring Tape



Drill



Wrench



Level



Screwdriver



Pencil



Stud Finder



Silicone Caulk

Additional Tools and Materials:

(1) Wood Screws (2) Drywall Screws (3) Drywall
(4) Repair Kit (5) Sandpaper (6) Lumber

Parts List:

(1) Pedestal (2) Basin
(3) Mounting Bolt Kit

Before You Begin



Read the following instructions carefully before you begin this installation:

- Follow all local plumbing and building codes.
- Turn off the hot and cold water supply. Inspect the drain and supply tubing, and replace them if necessary.
- Due to various possible installation scenarios, procedures other than those described here may be applicable.
- It is recommended to provide the actual sink to all contractors involved in the project. Coordination and communication between all parties are essential.
- It is recommended that the sink installation be performed by professional and experienced installers. For the sake of safety and a damage-free installation, the sink should be installed by at least two people.
- All information in these instructions is based on the latest product information available at the time of publication. Eridanus reserves the right to make revisions to the design of products without notice.

Installation Preparation

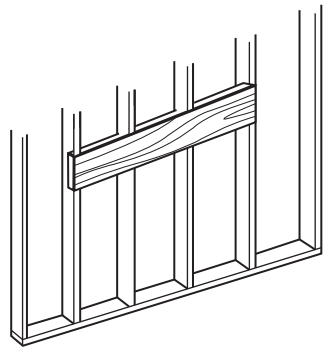
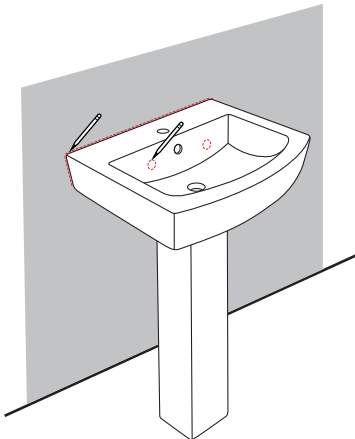


Install Mounting Brace



NOTE: This step is applicable for drywall installations. If you're installing on solid wall construction, skip this step.

- a) Use a stud finder to locate the wall studs where the mounting brace will be installed.
- b) Position the sink basin and pedestal in place. Ensure the unit is level when set against the wall.
- c) Mark the two mounting hole locations on the wall and trace the outline of the basin's sides and top edge. Then remove the sink.
- d) Carefully cut a hole in the wall larger than the traced area. Please note do not cut any electrical or plumbing fixtures.
- e) Cut a 2x6 board to size. Notch the wall studs so the board sits flush, and secure it between the studs as a brace.
- f) Patch the wall with a piece of drywall, tape the joints, apply joint compound, sand smooth, and repaint the surface to match your wall.

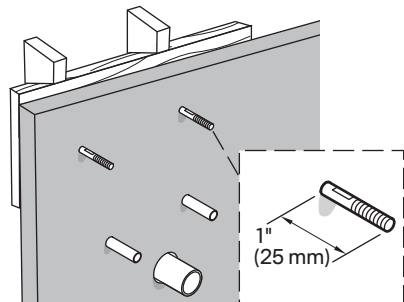
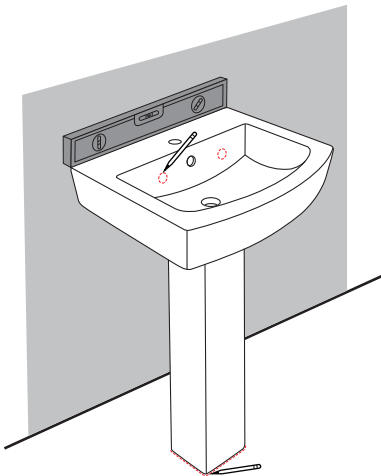


Installation Procedure



STEP I. Install Hanger Bolts

- Position the pedestal on the place you prefer and set basin tight against the wall. Check for level and adjust the pedestal as needed.
- Mark the two anchor hole locations on the wall, and trace a line along the base of the pedestal on the floor.
- Remove the pedestal and basin. Drill pilot holes at the marked locations, insert wall anchors, and screw in the hanger bolts. Leave about 1 inch of the bolts extending from the wall.



STEP II. Install Faucet and Drain

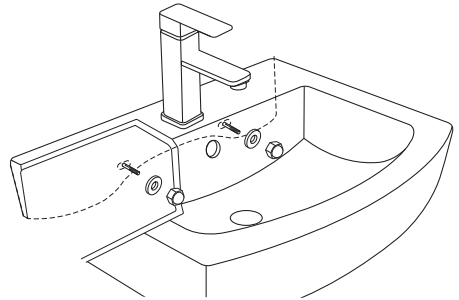
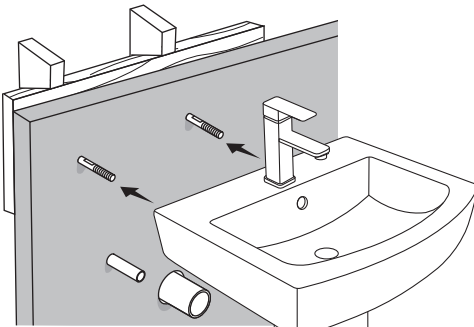
Install the faucet and drain (not included) according to the manufacturer's instructions.

STEP III. Mount the Sink

- a) Place the pedestal back in position, then carefully lower the basin onto it, ensuring the hanger bolts pass through the holes in the back of the basin.
- b) Check for level. Secure the basin using washers and nuts on the hanger bolts.



CAUTION DO NOT over-tighten, as this may cause damage to the ceramic sink.



STEP IV. Check for Leaks

- a) Connect the P-trap to the drain and attach the hot and cold water supply lines to the faucet.
- b) Turn on the water and faucet to check for leaks.

STEP V. Apply Caulk

Apply a bead of silicone caulk around the sink edges where it meets the wall and floor. Allow 24 hours for the caulk to cure.

A vitreous china bathroom sink is a popular and durable choice for many homeowners. Eridanus vitreous china bathroom sinks are meticulously handcrafted with fine materials and have undergone strict quality inspections. With proper maintenance and care, Eridanus sinks will keep in new condition and function well for an extended period of time.

Do's



- ✓ **Cleaning the sink regularly:** Use a mild detergent or cleaning solution and a soft cloth or sponge to wipe down the sink. Avoid using abrasive cleaners or scrubbers as they can scratch the surface of the sink.
- ✓ **Remove stains promptly:** If you notice any stains on the sink, it's important to remove them promptly. Use a cleaning solution specifically designed to remove the type of stain you're dealing with. For example, use a rust remover for rust stains and a hard water stain remover for hard water stains.
- ✓ **Keep the sink dry:** After using the sink, make sure to wipe it dry with a clean towel or cloth. Standing water can cause water spots and mineral buildup, which can be difficult to remove.
- ✓ **Use a drain strainer:** Use a drain strainer to prevent hair, soap, and other debris from clogging the drain. A clogged drain can lead to water damage and other problems.

Don'ts



- ✗ **Avoid using harsh chemicals:** Harsh chemicals such as bleach, ammonia, or acid-based cleaners can damage the surface of the sink. Avoid using these chemicals and opt for a mild cleaning solution instead.
- ✗ **Avoid placing heavy objects on the sink:** Vitreous china is a durable material, but it can still crack or chip if heavy objects are placed on it. Avoid placing heavy objects on the sink and use a separate surface for storing items such as hair dryers or curling irons.
- ✗ **Avoid hitting it with hard objects or dropping heavy items on it.**
- ✗ **Avoid direct contact with sharp and metallic objects.**



Soft Cloth



Mild Detergent



Plastic Scraper

By following these tips, you can keep your vitreous china bathroom sink in great condition for many years to come. Regular maintenance and care will help to prevent damage and keep the sink looking its best.

Installation Guide