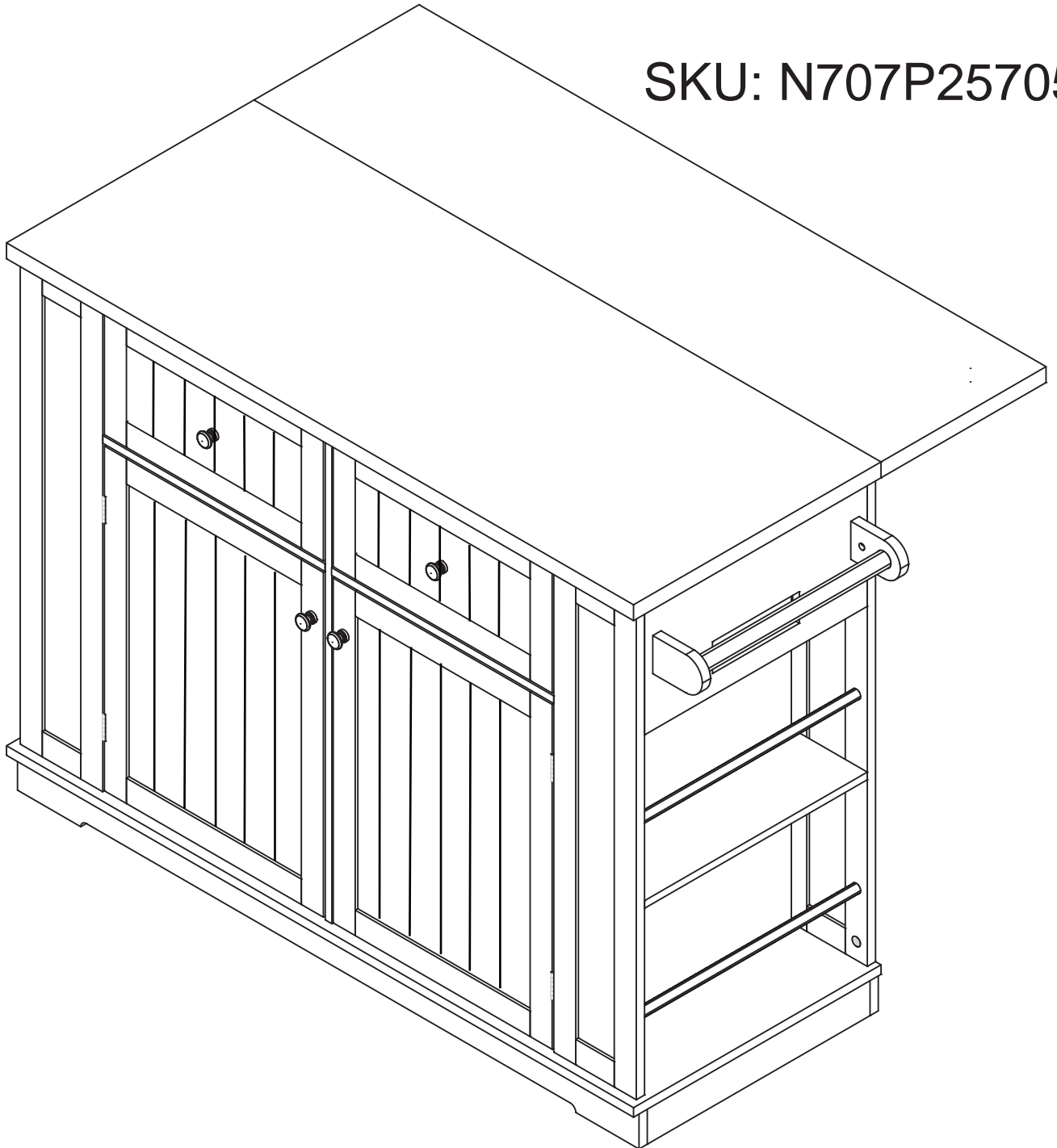


Kitchen Island Cart

Assembly Instructions - Please keep for future reference

SKU: N707P257057



Important – Please read these instructions fully before starting assembly



Safety and Care Advice

Important – Please read these instructions fully before starting assembly

- Check you have all the components and tools listed on the following pages.
- Remove all fittings from the plastic bags and separate them into their groups.
- Keep children and animals away from the work area, small parts could choke if swallowed.
- Make sure you have enough space to layout the parts before starting.

- During assembly do not stand or put weight on the product, this could cause damage.
- Assemble the item as close to its final position (in the same room) as possible.
- Assemble on a soft level surface to avoid damaging the unit or your floor.
- Parts of the assembly will be easier with 2 people.



power drill is set on a low torque setting.

- To reduce the likelihood of damaging your product please ensure that your

Care and maintenance

- Only clean using a damp cloth and mild detergent, do not use bleach or abrasive cleaners.
- From time to time check that there are no loose screws on this unit.
- This product should not be discarded with household waste. Take to your local authority waste disposal centre.

Handy Hints

- Assemble all parts and bolts loosely during assembly, only once the product is complete should you fully tighten the bolts
- Regularly check and ensure That all bolts and fittings are tightend properly.

WARNING
In order to help prevent overturning –
please follow these instructions

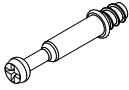
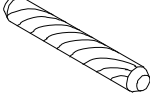

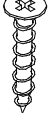

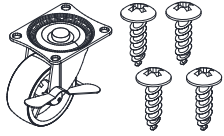


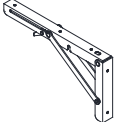
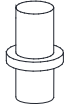
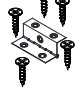
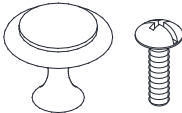
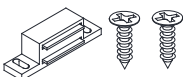

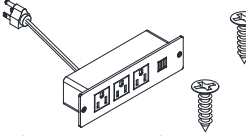
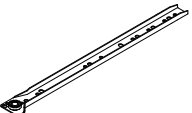
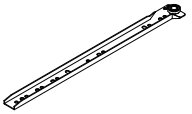
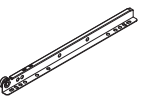
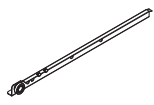
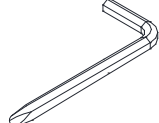
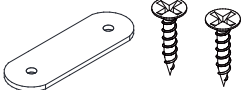

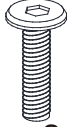




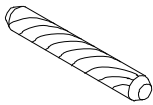
To help prevent product toppling over please follow the below steps:-

- Use the anti tip stap or wall fixing method provided (if applicable)
- Do not allow children to climb or hang on the furniture
- Do not open more than one drawer at a time
- Do not place heavy items in the top drawers
- Do not place heavy items on top of the furniture, unless the furniture has been designed for this purpose

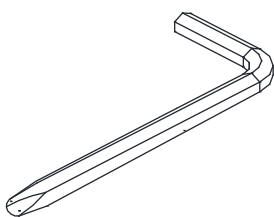
Components - Fittings

Please check you have all the panels listed below

Note: The quantities below are the correct amount to complete the assembly. In some cases, more fittings may be supplied than required.

<p>(A)</p>  <p>Cam Bolt x 84</p>	<p>(B)</p>  <p>6*30mm Dowel x 56</p>	<p>(C)</p>  <p>Cam lock x 84</p>	<p>(D)</p>  <p>4*25mm Screw x 28</p>
<p>(E)</p>  <p>nut x 2</p>	<p>(F)</p>  <p>4*12mm Locking caster x2</p>	<p>(G)</p>  <p>6*30mm Screw x 2</p>	<p>(H)</p>  <p>3.5*12mm Screw x 18</p>
<p>(I)</p>  <p>Connecting rods x2</p>	<p>(J)</p>  <p>Shelf support pin x 8</p>	<p>(K)</p>  <p>3*12mm Triple fold hinge x 4set</p>	<p>(L)</p>  <p>4*20mm Handle x 2SET</p>
<p>(M)</p>  <p>3*16mm Door stopper x 2SET</p>	<p>(N)</p>  <p>4*12mm Handle x 2SET</p>	<p>(O)</p>  <p>3.5*12mm socket x 1</p>	<p>(CL)</p>  <p>300mm runner x 2</p>
<p>(CR)</p>  <p>300mm runner x 2</p>	<p>(DR)</p>  <p>300mm runner x 2</p>	<p>(DL)</p>  <p>300mm runner x 2</p>	<p>(P)</p>  <p>Allen key x 1</p>
<p>(Q)</p>  <p>3*12mm Magnetic sheet x 2SET</p>	<p>(R)</p>  <p>4*12mm Caster x3</p>	<p>(S)</p>  <p>6*25mm Screw x4</p>	<p>(T)</p>  <p>m6 nut x 4</p>
<p>(U)</p>  <p>6mm gasket x8</p>	<p>(V)</p>  <p>3.5*14mm Screw x4</p>	<p>(W)</p>  <p>Iron pipe spring x 4</p>	<p>(X)</p>  <p>8*30mm Dowel x 16</p>

Tools required



Phillips screwdriver
(medium & large)

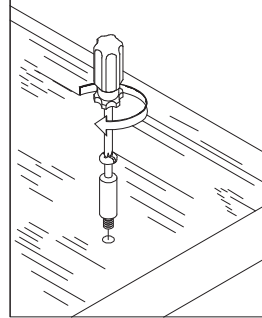
Using Camlocks

Step 1

Connect the male camlock as directed in the assembly instructions using a screwdriver.

1

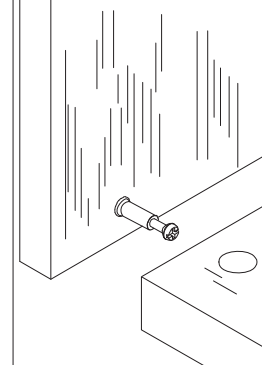
DO NOT OVER TIGHTEN.
NE PAS SERRER EXCESSIVEMENT.



Step 2

Push the male camlock into the entry hole.

2

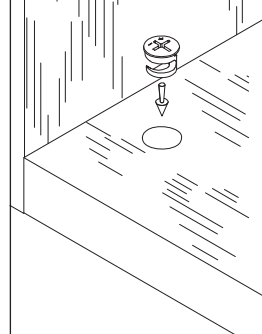


Step 3

Insert the female camlock as shown in the instruction.

Note: ensure that the arrow on the top of the camlock points towards the entry hole for the male camlock.

3



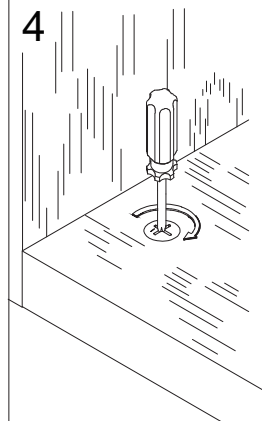
Step 4

Turn the female camlock clockwise with a screwdriver.

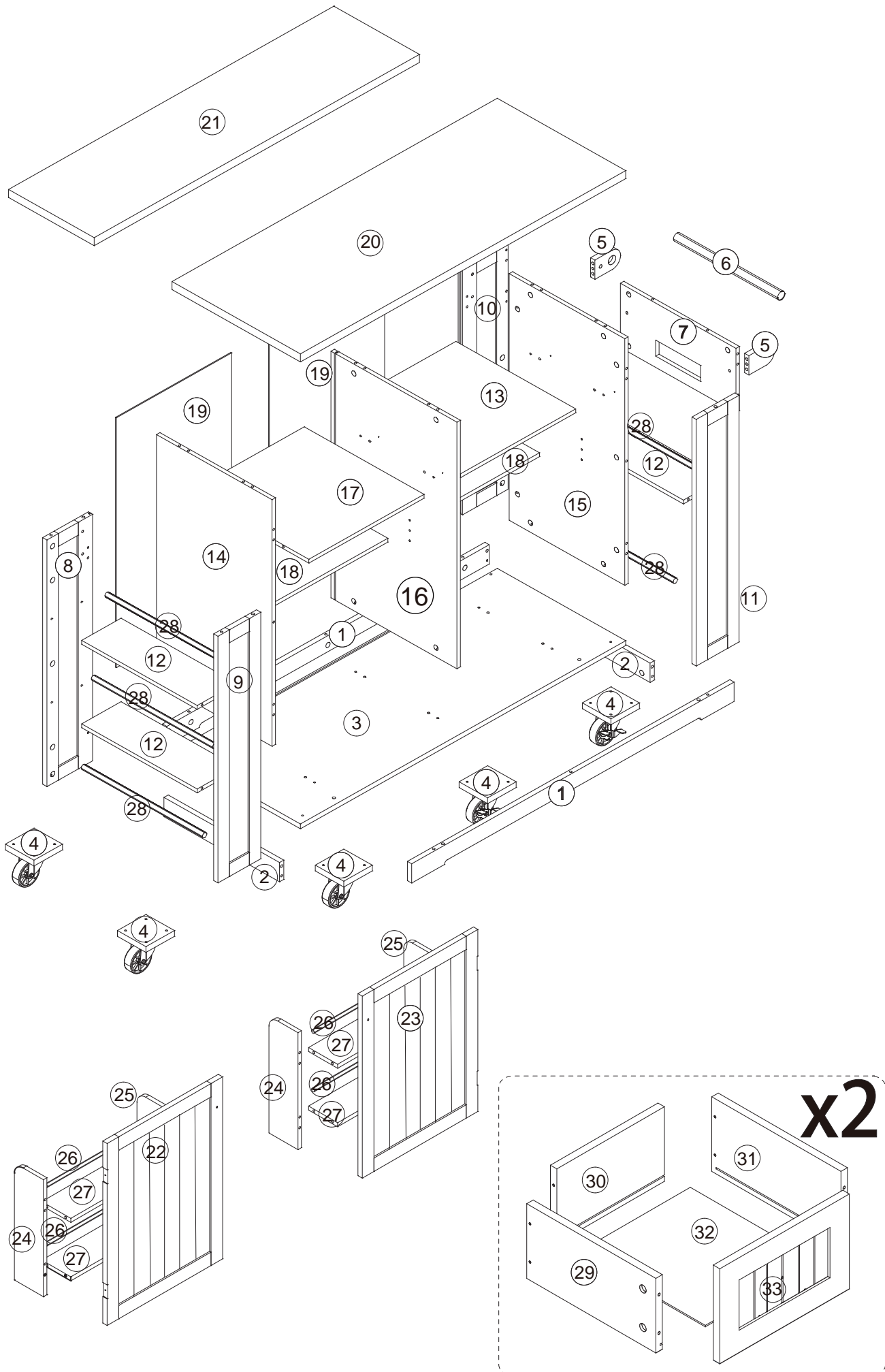
You should feel a click when the camlock is locked in place.

The joint is now secure.

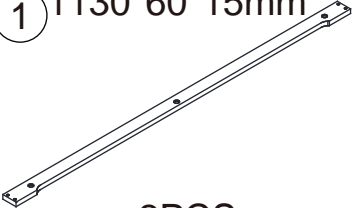
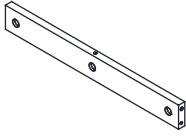
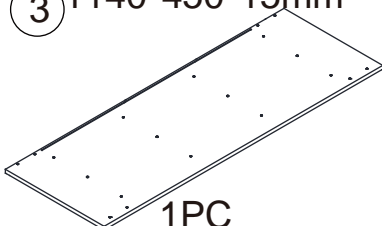
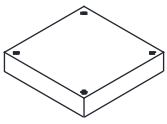
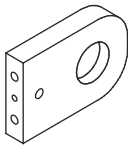
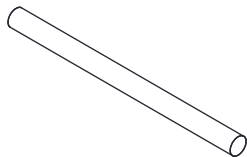
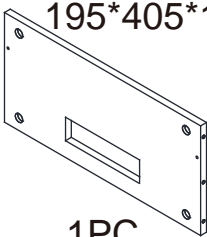
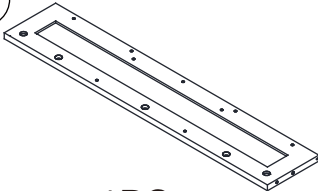

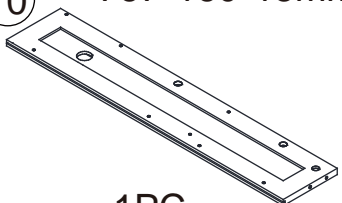
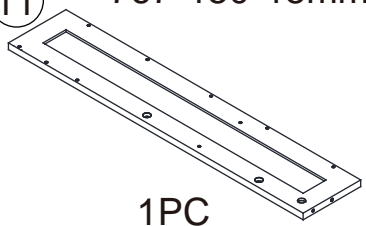
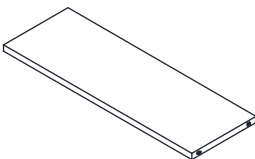
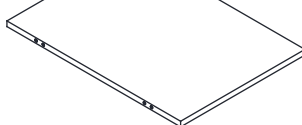
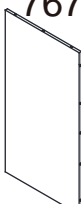


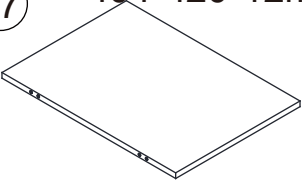
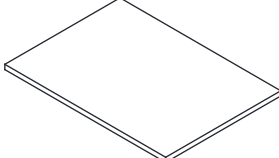

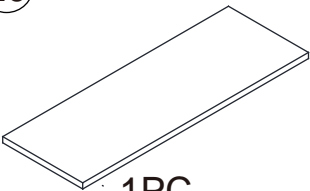
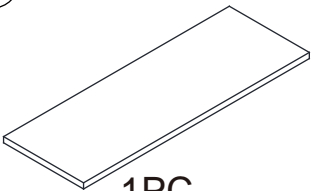
4



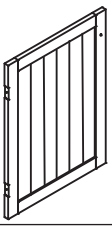

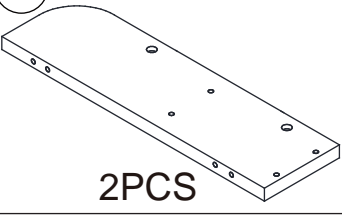
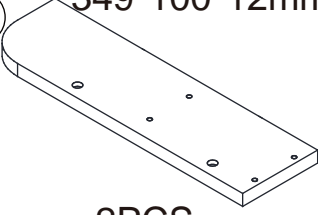
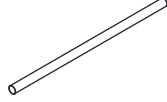
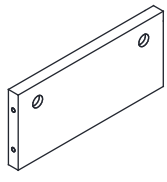
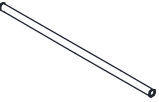
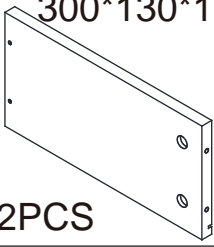
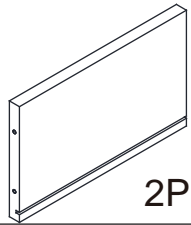
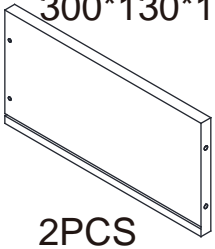
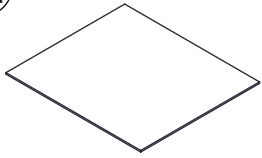
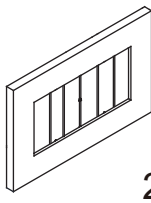
Assembly Instructions



Assembly Instructions

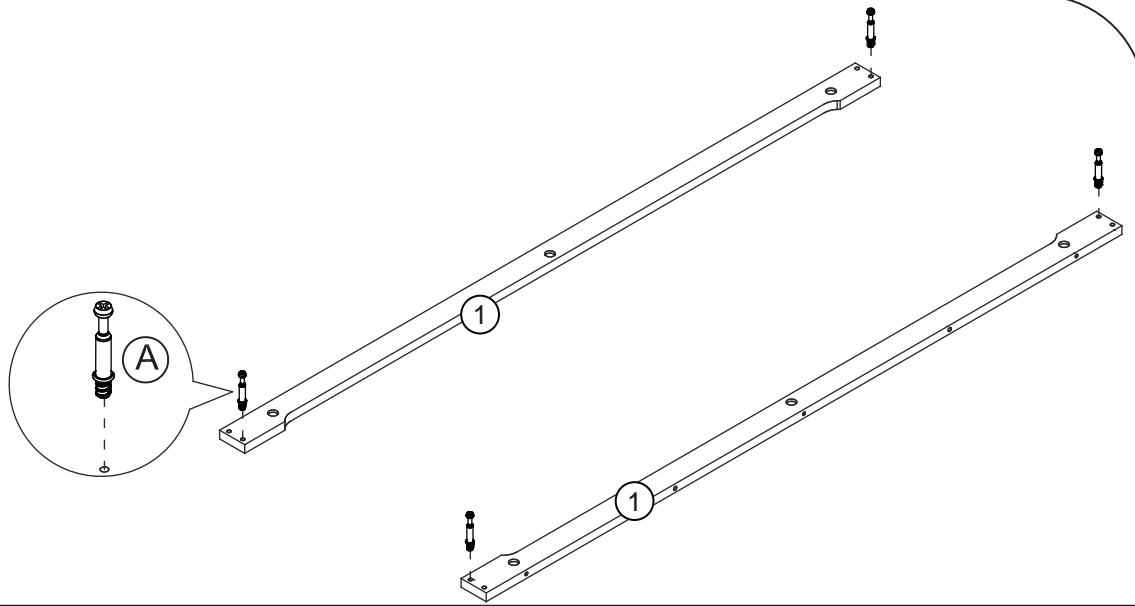
<p>① 1130*60*15mm</p>  <p>2PCS</p>	<p>② 405*60*15mm</p>  <p>2PCS</p>	<p>③ 1140*450*15mm</p>  <p>1PC</p>
<p>④ 100*100*18mm</p>  <p>5PCS</p>	<p>⑤ 90*60*15mm</p>  <p>2PCS</p>	<p>⑥ 24*365mm</p>  <p>1PC</p>
<p>⑦ 195*405*12mm</p>  <p>1PC</p>	<p>⑧ 767*160*15mm</p>  <p>1PC</p>	<p>⑨ 767*150*15mm</p>  <p>1PC</p>
<p>⑩ 767*160*15mm</p>  <p>1PC</p>	<p>⑪ 767*150*15mm</p>  <p>1PC</p>	<p>⑫ 405*138*15mm</p>  <p>3PCS</p>
<p>⑬ 404*420*12mm</p>  <p>1PC</p>	<p>⑭ 767*405*12mm</p>  <p>1PC</p>	<p>⑮ 767*405*12mm</p>  <p>1PC</p>
<p>⑯ 767*435*12mm</p>  <p>1PC</p>	<p>⑰ 404*420*12mm</p>  <p>1PC</p>	<p>⑱ 402*294*12mm</p>  <p>2PCS</p>
<p>⑲ 777*404*3mm</p>  <p>2PCS</p>	<p>⑳ 1140*450*25mm</p>  <p>1PC</p>	<p>㉑ 1140*300*25mm</p>  <p>1PC</p>

Assembly Instructions

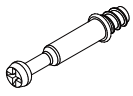
<p>22</p> <p>543*398*15mm</p>  <p>1PC</p>	<p>23</p> <p>543*398*15mm</p>  <p>1PC</p>	<p>24</p> <p>349*100*12mm</p>  <p>2PCS</p>
<p>25</p> <p>349*100*12mm</p>  <p>2PCS</p>	<p>26</p> <p>10*333mm</p>  <p>4PCS</p>	<p>27</p> <p>328*100*12mm</p>  <p>4PCS</p>
<p>28</p> <p>15*415mm</p>  <p>5PCS</p>	<p>29</p> <p>300*130*12mm</p>  <p>2PCS</p>	<p>30</p> <p>354*130*12mm</p>  <p>2PCS</p>
<p>31</p> <p>300*130*12mm</p>  <p>2PCS</p>	<p>32</p> <p>298*366*3mm</p>  <p>2PCS</p>	<p>33</p> <p>398*200*15mm</p>  <p>2PCS</p>

Assembly Instructions

Step 1

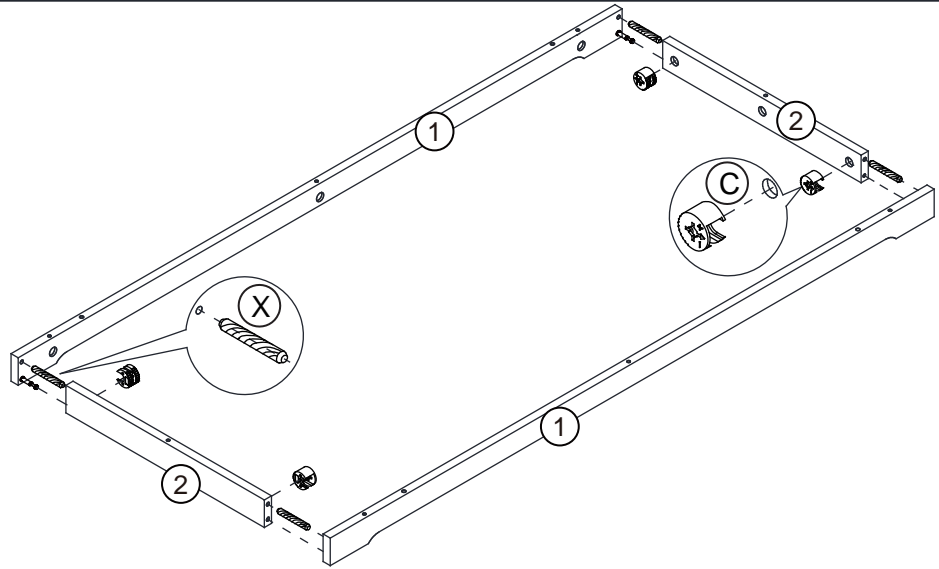


(A)



Cam Bolt x4

Step 2

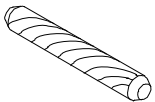


(C)



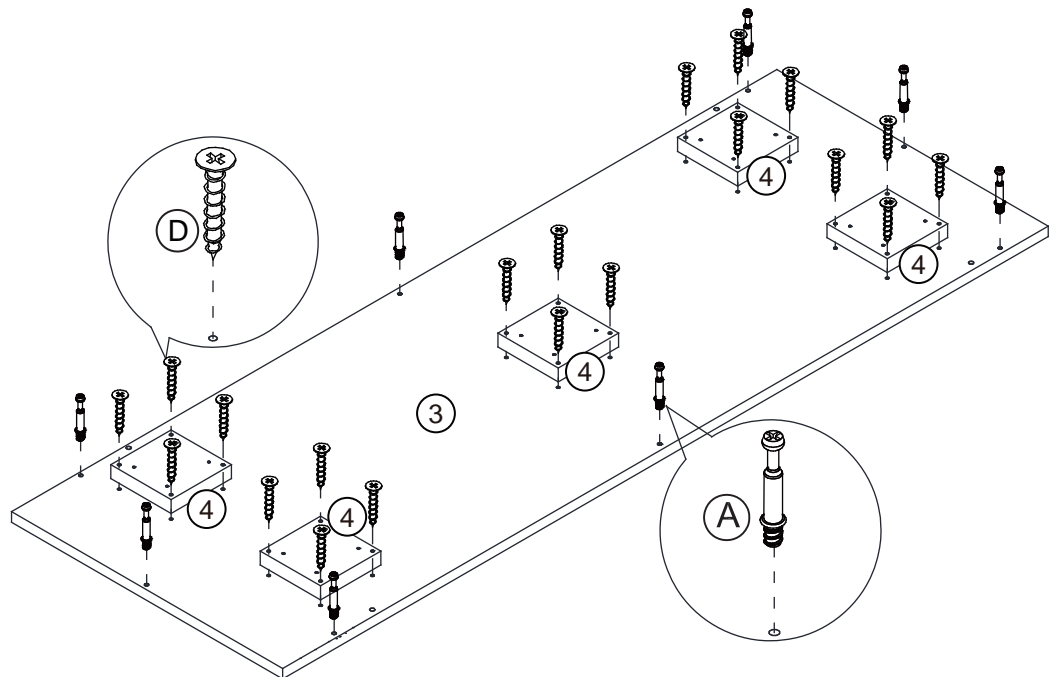
Cam lock x 4

(X)

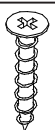


8*30mm Dowel x 4

Step 3

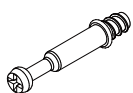


(D)



4*25mm Screw x 20

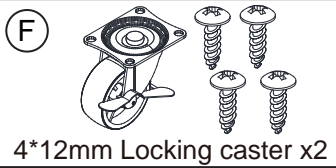
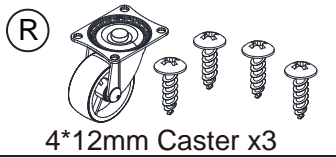
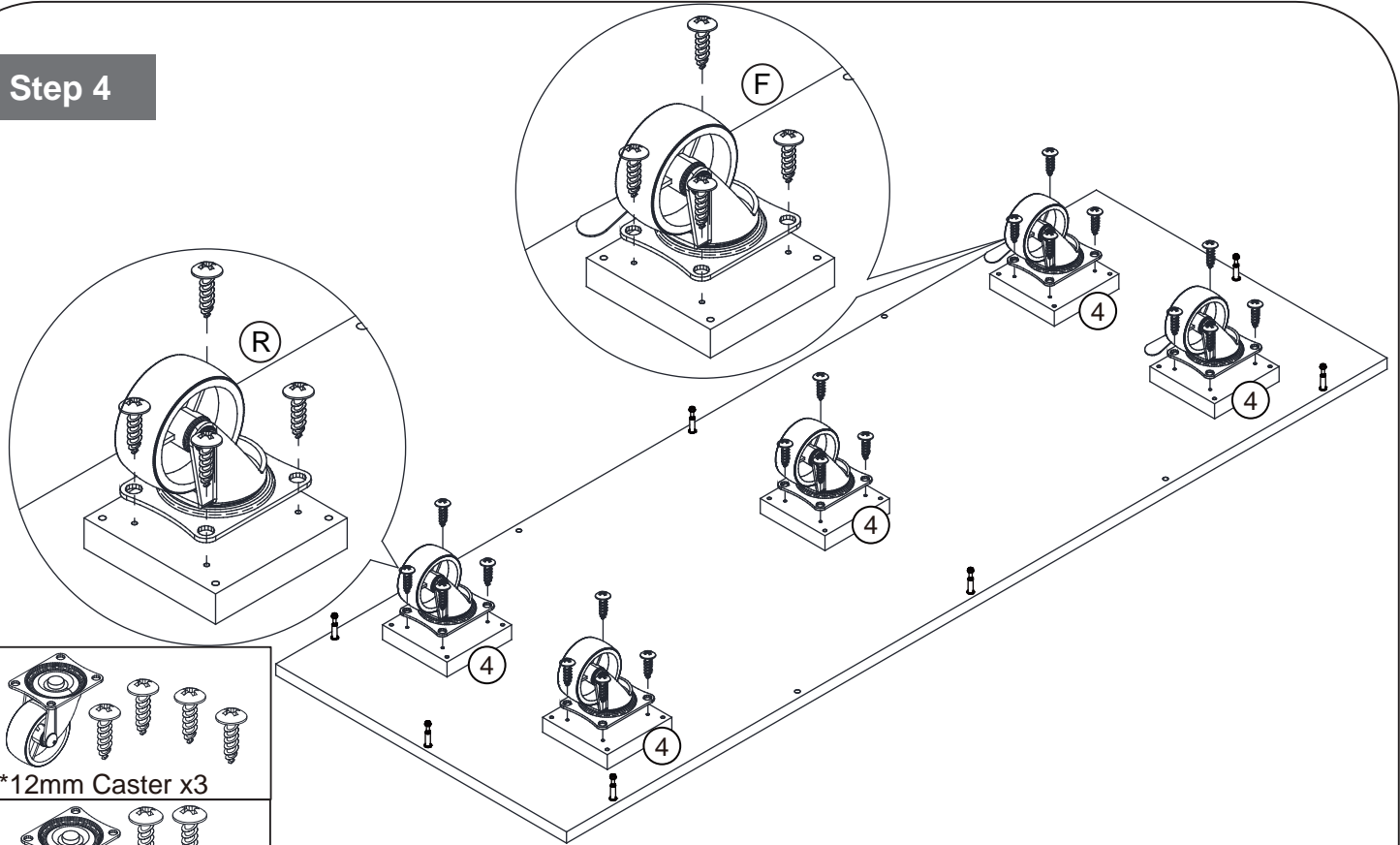
(A)



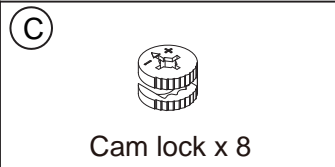
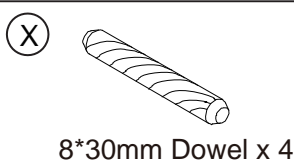
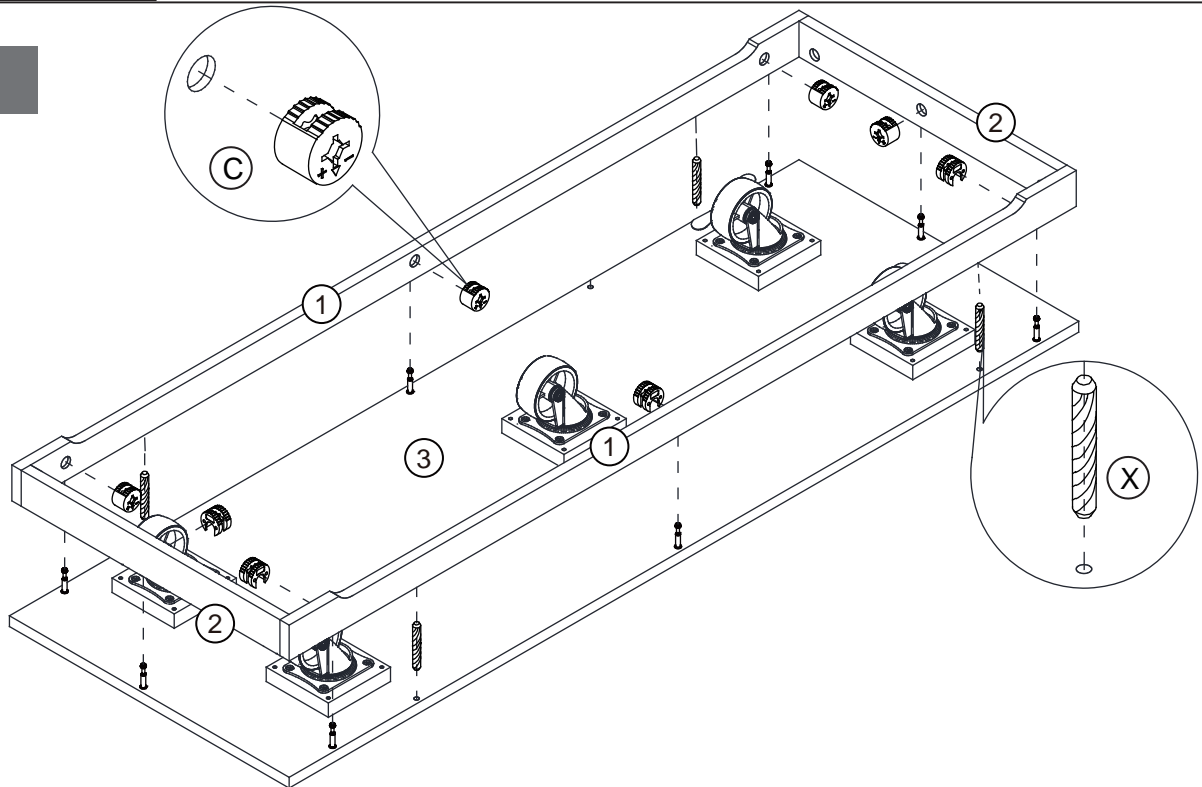
Cam Bolt x8

Assembly Instructions

Step 4

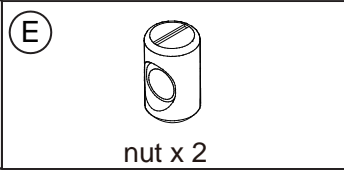
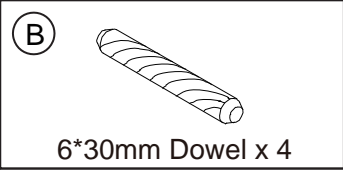
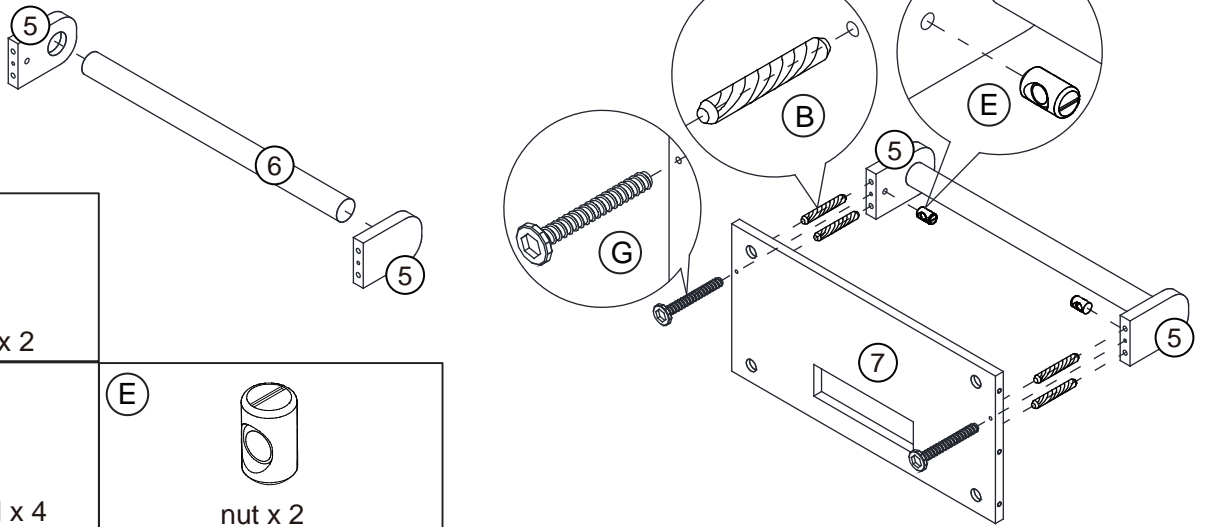


Step 5

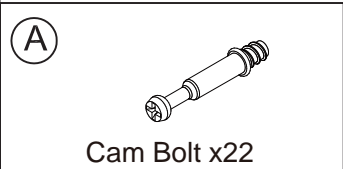
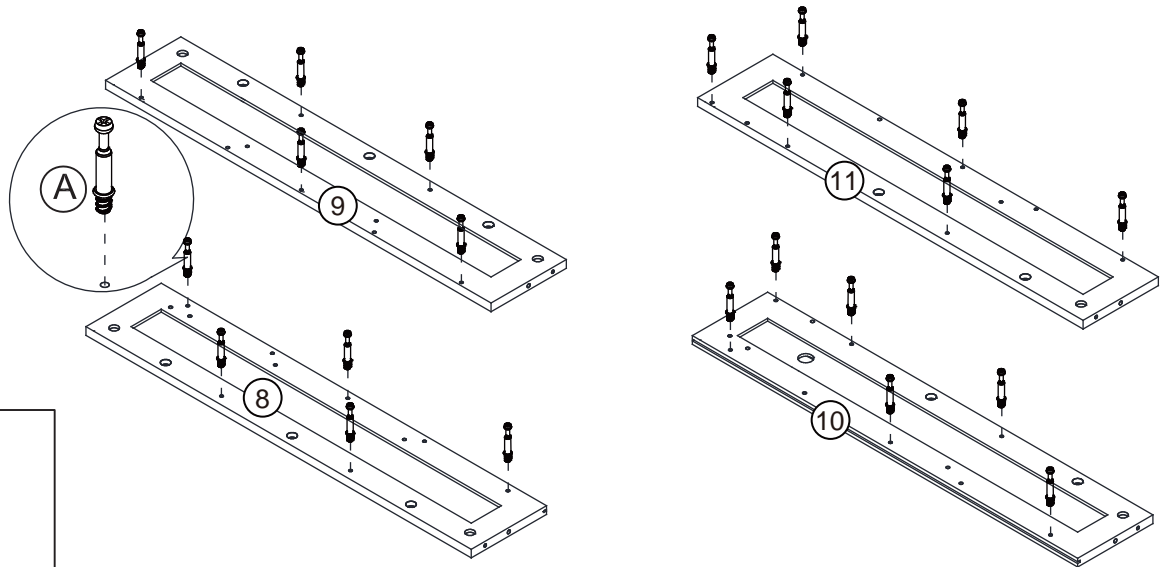


Assembly Instructions

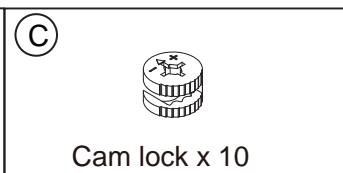
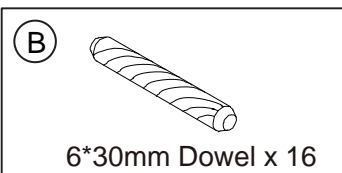
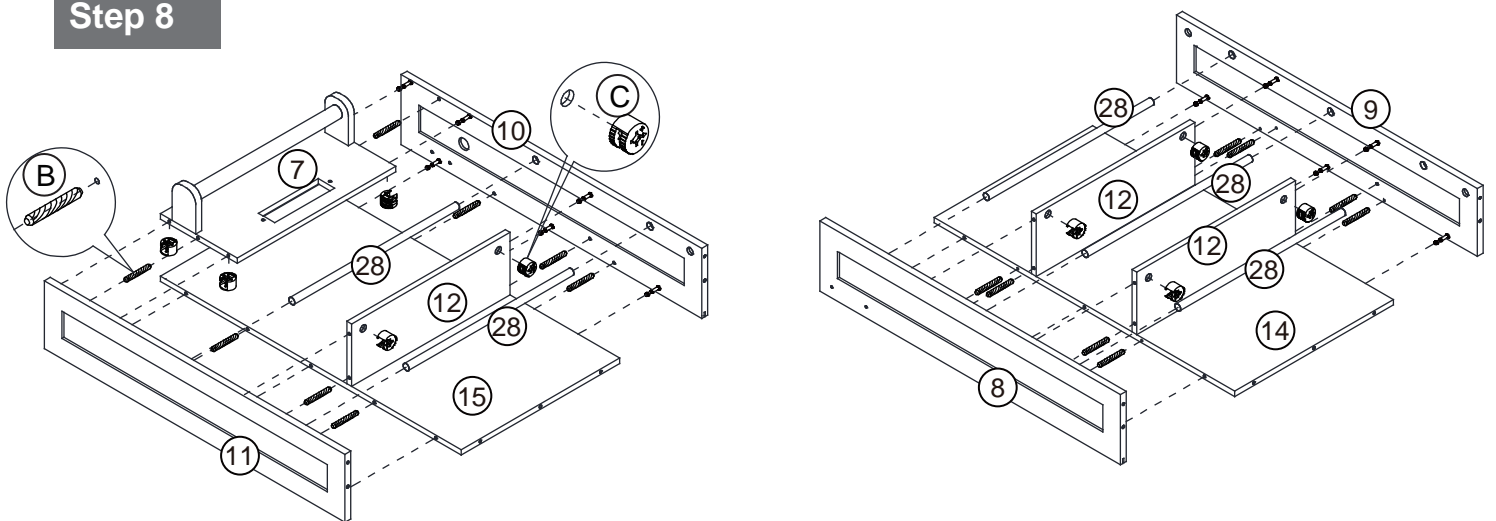
Step 6



Step 7

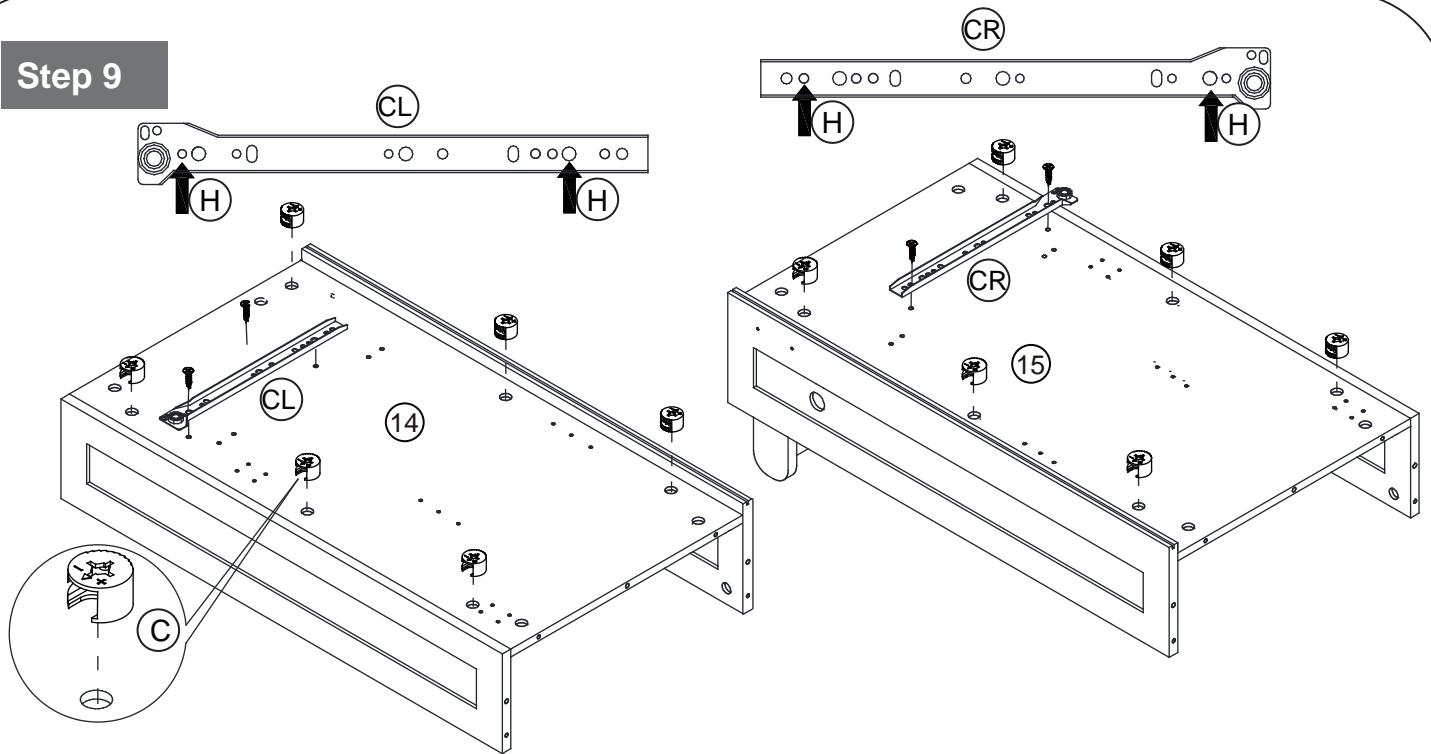


Step 8



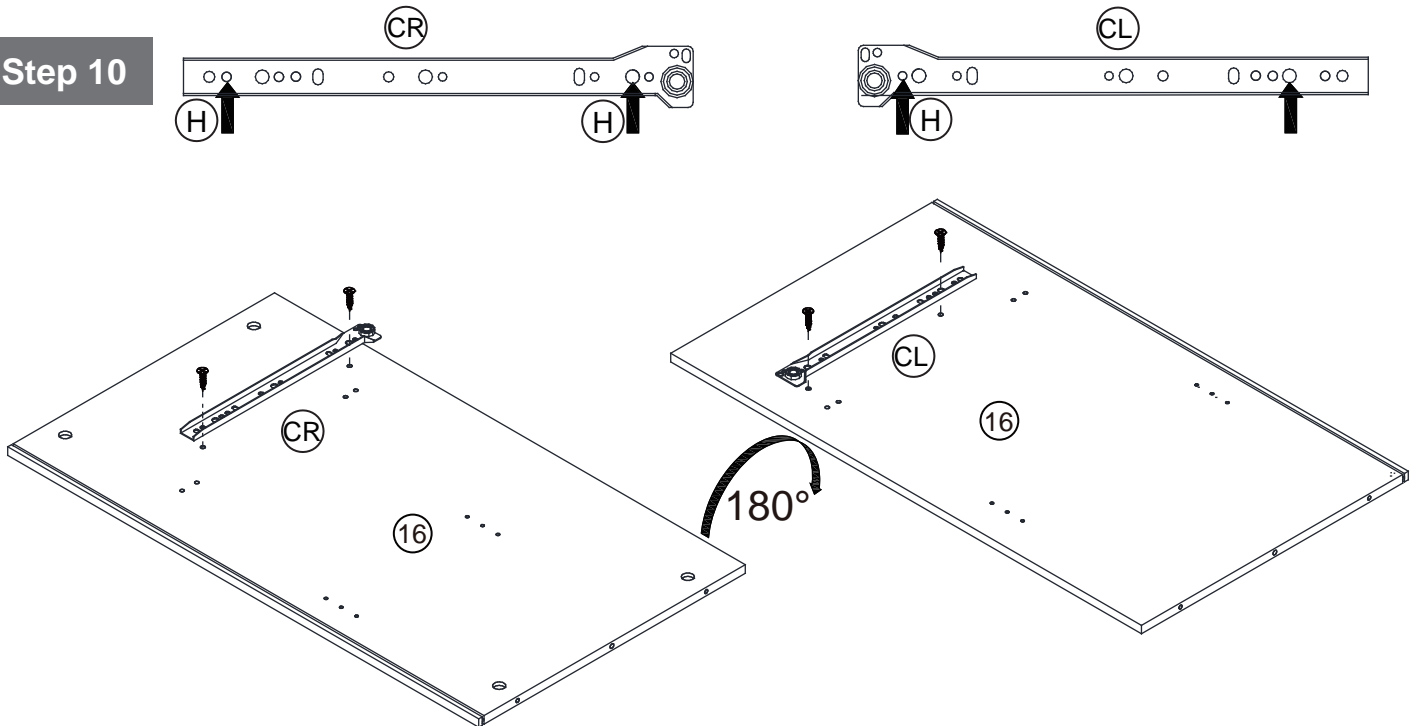
Assembly Instructions

Step 9



<p>CL 300mm runner x 1</p>	<p>CR 300mm runner x 1</p>	<p>C Cam lock x 12</p>	<p>H 3.5*12mm Screw x 4</p>
--------------------------------	--------------------------------	----------------------------	---------------------------------

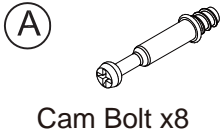
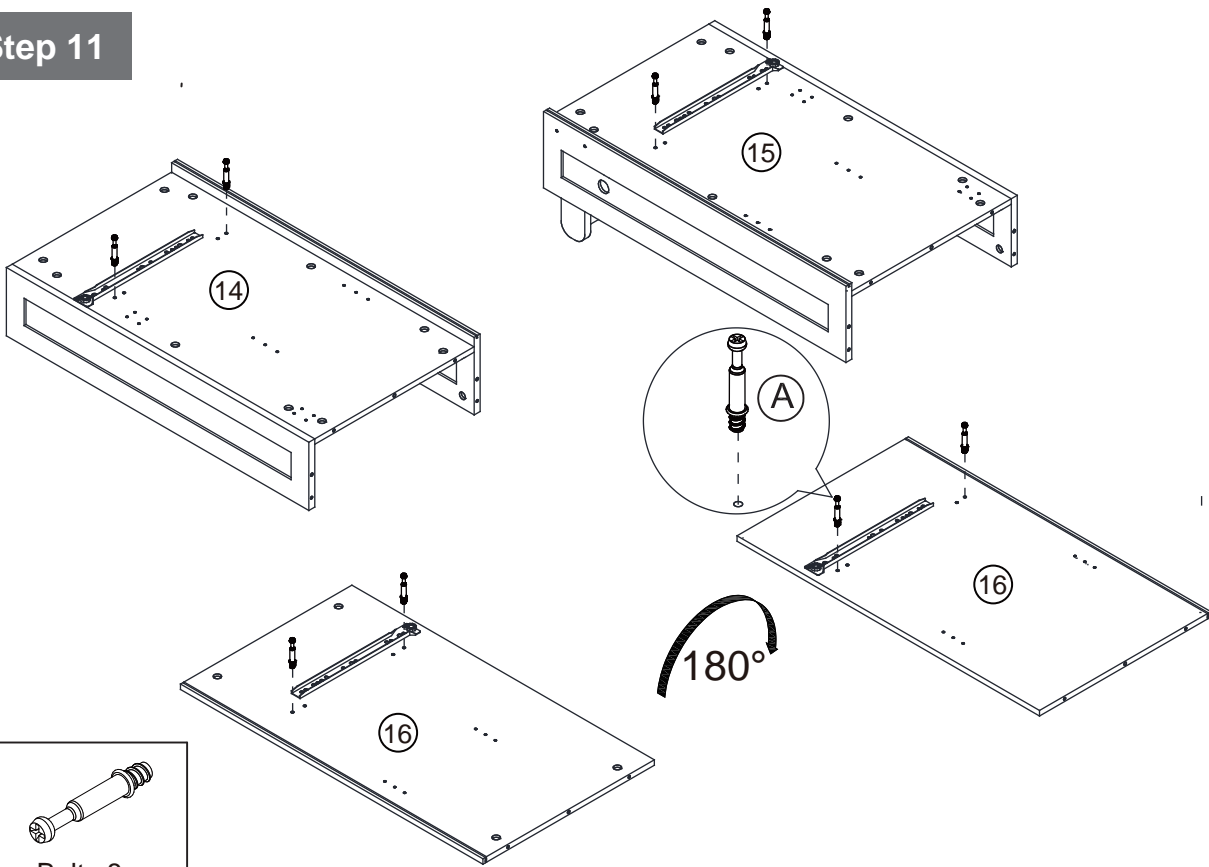
Step 10



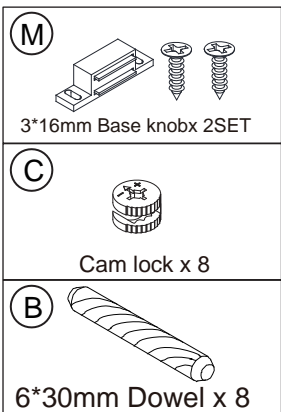
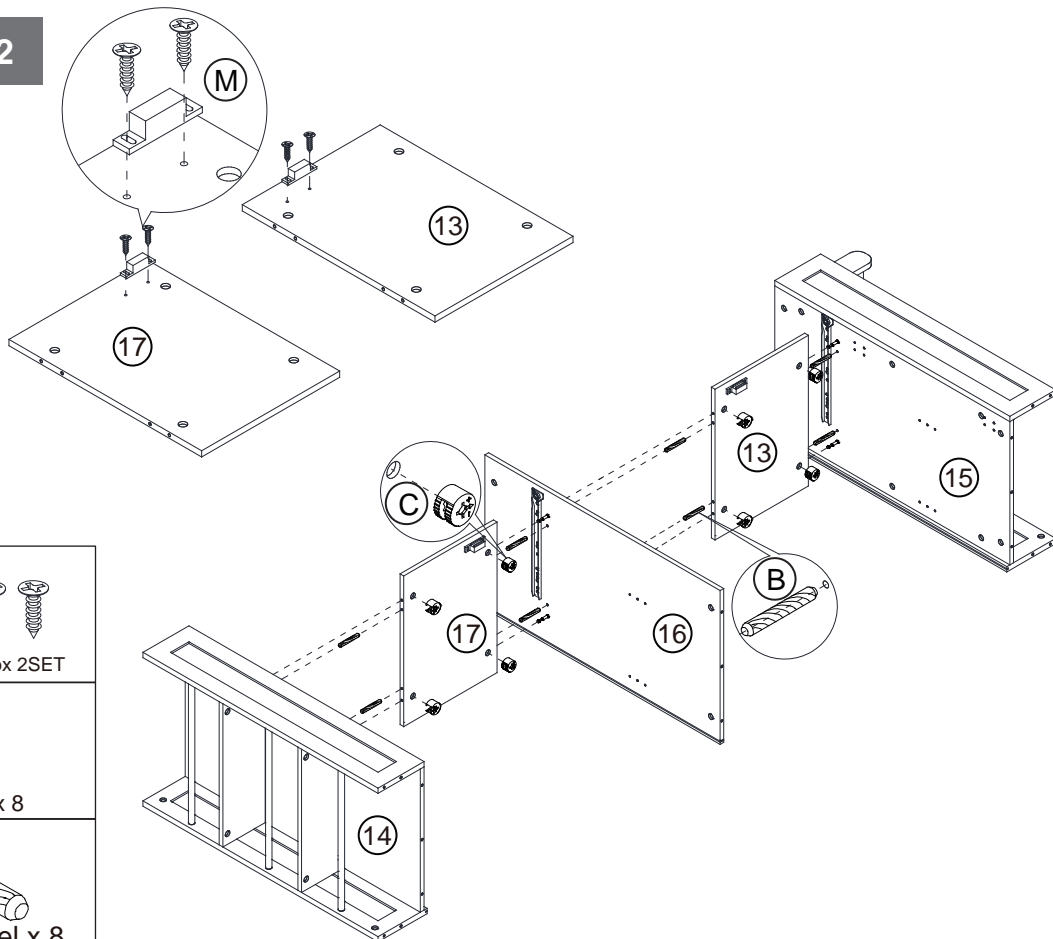
<p>CL 300mm runner x 1</p>	<p>CR 300mm runner x 1</p>	<p>H 3.5*12mm Screw x 4</p>
--------------------------------	--------------------------------	---------------------------------

Assembly Instructions

Step 11

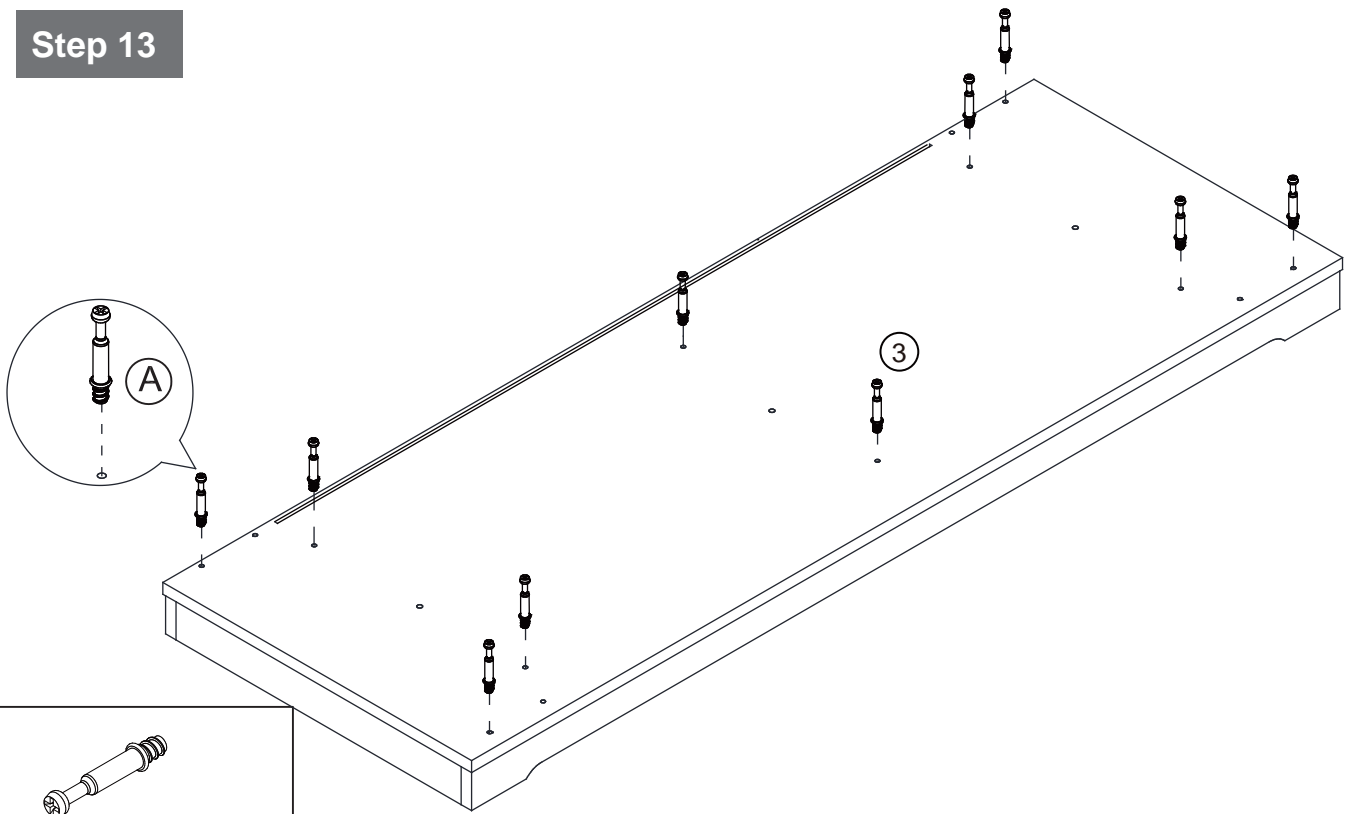


Step 12

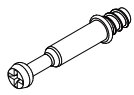


Assembly Instructions

Step 13

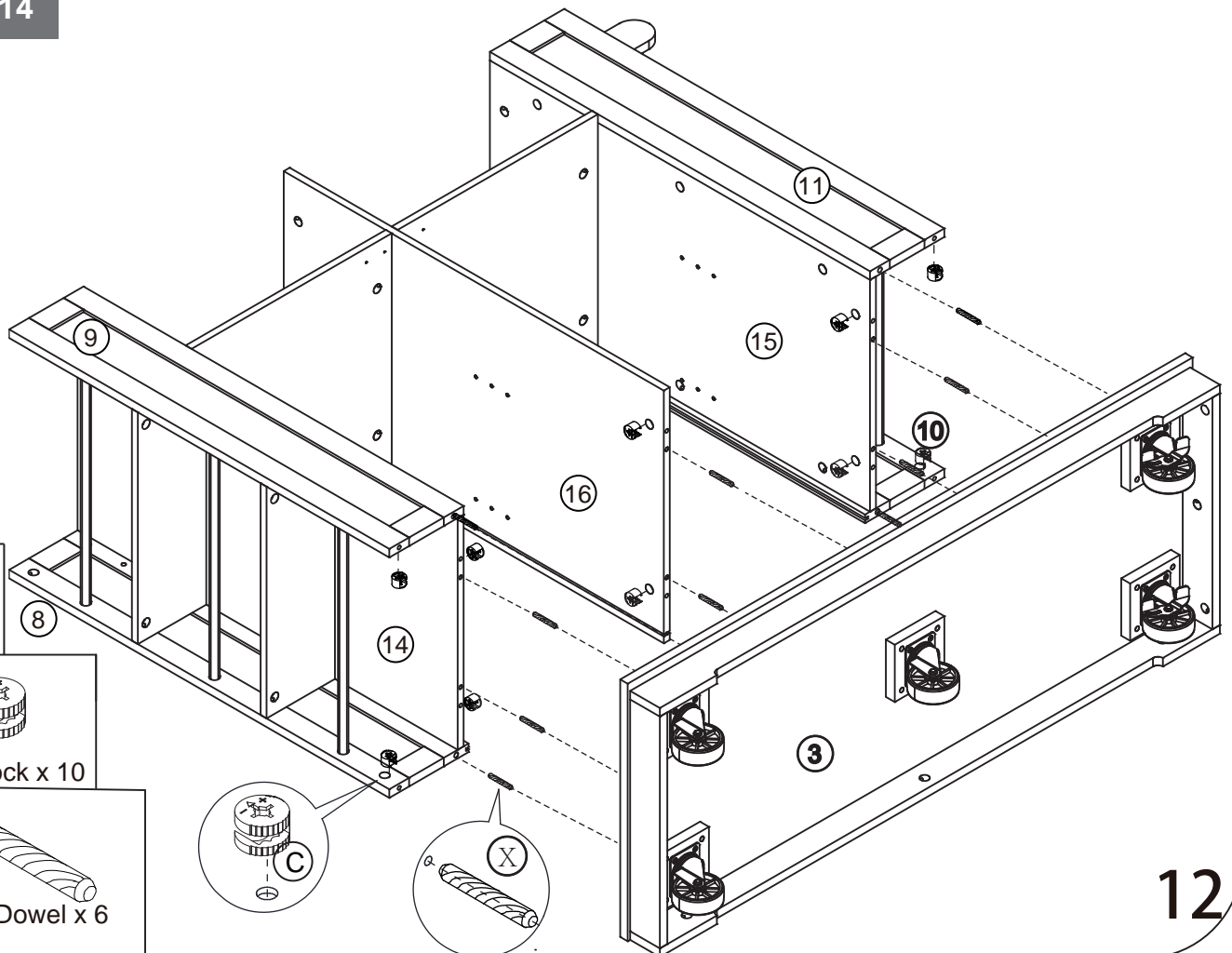


A



Cam Bolt x 10

Step 14



X

8*30mm Dowel x 4

C

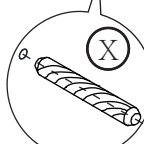
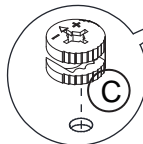


Cam lock x 10

B

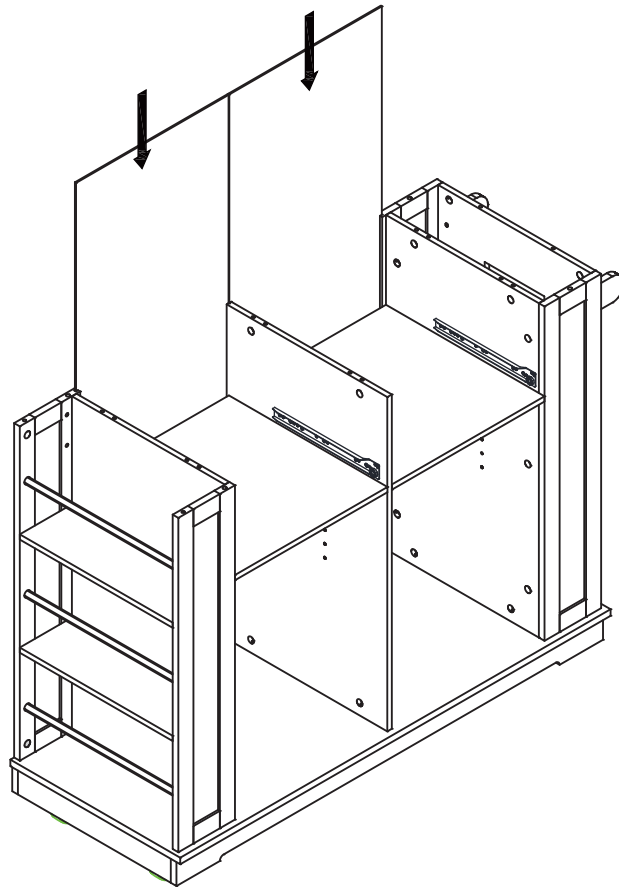


6*30mm Dowel x 6

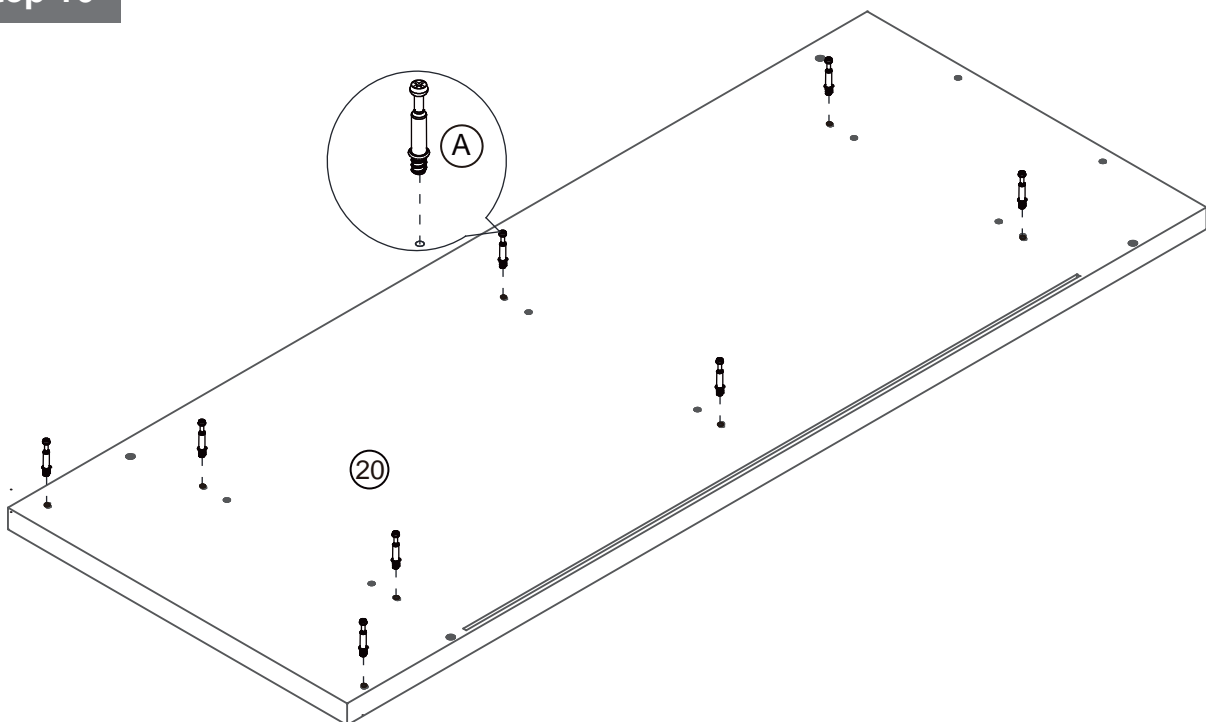


Assembly Instructions

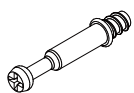
Step 15



Step 16



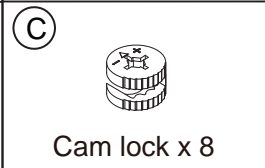
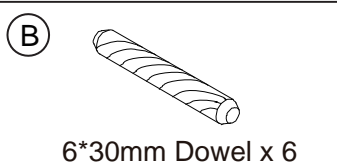
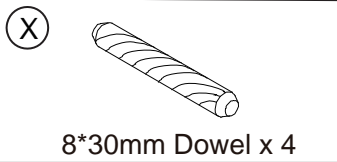
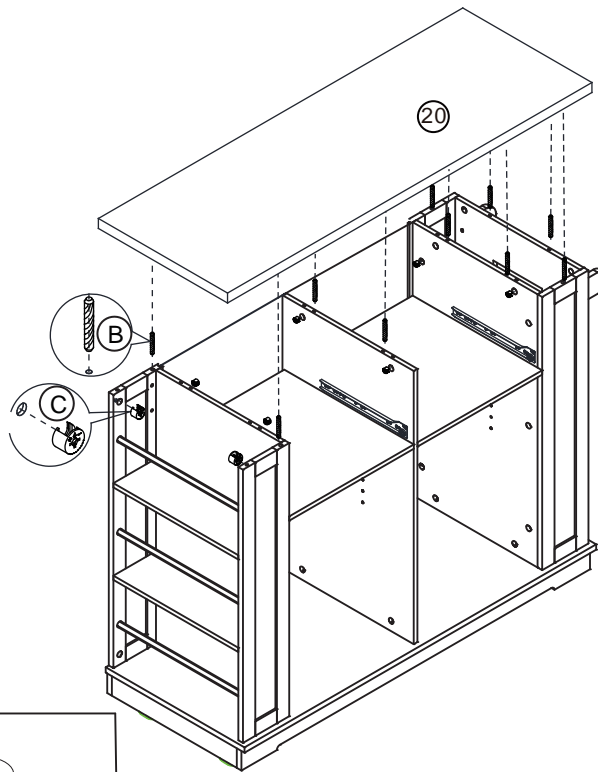
A



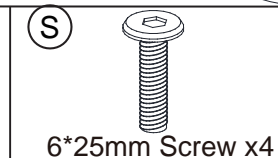
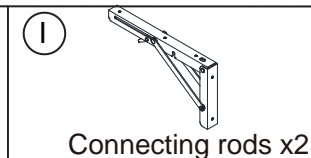
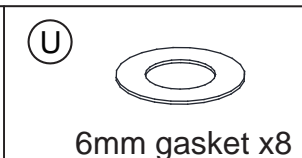
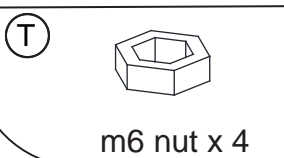
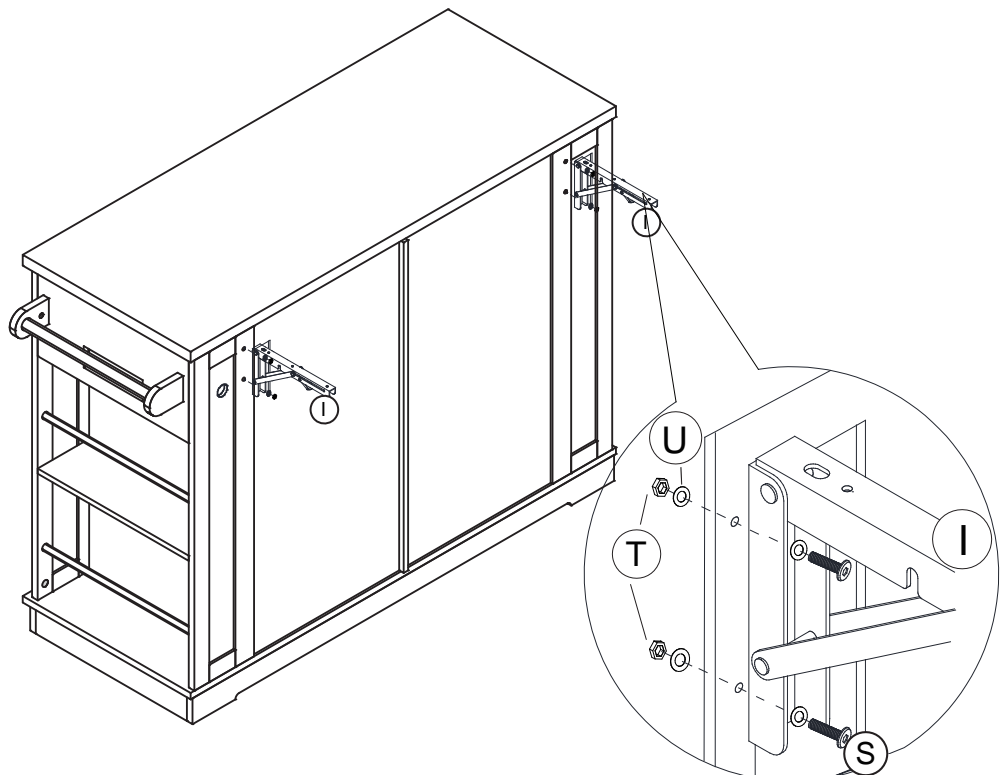
Cam Bolt x 8

Assembly Instructions

Step 17

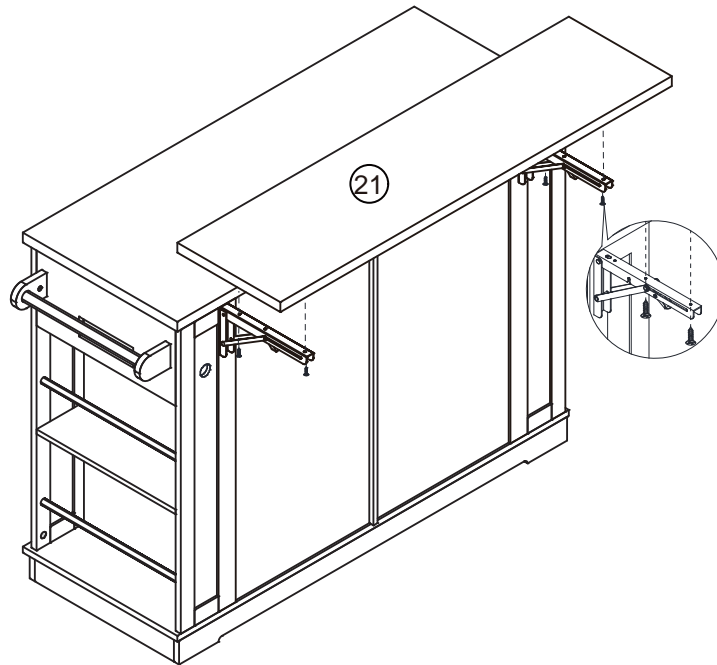


Step 18



Assembly Instructions

Step 19

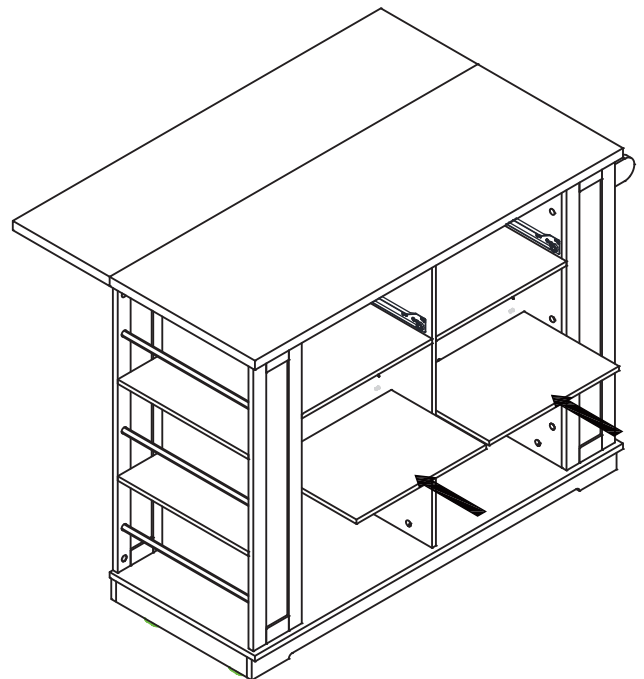
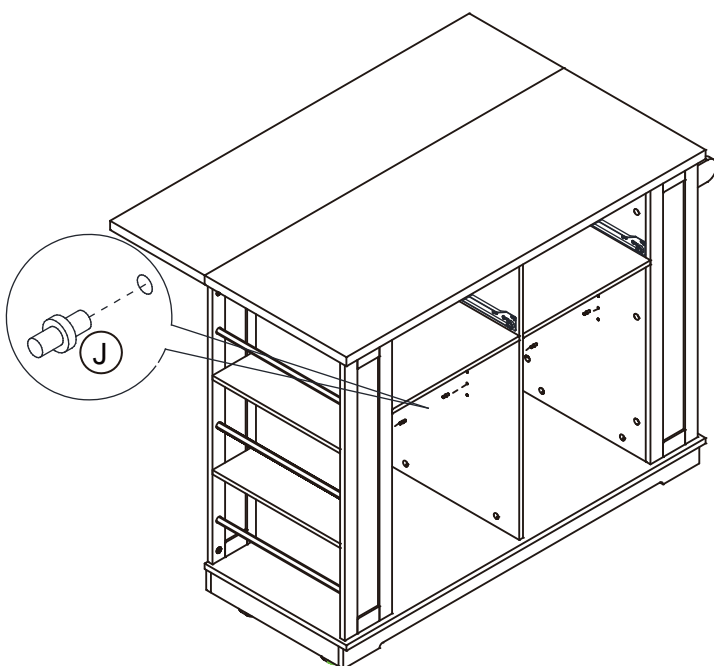


(V)

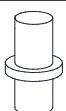


3.5*14mm Screw x4

Step 20



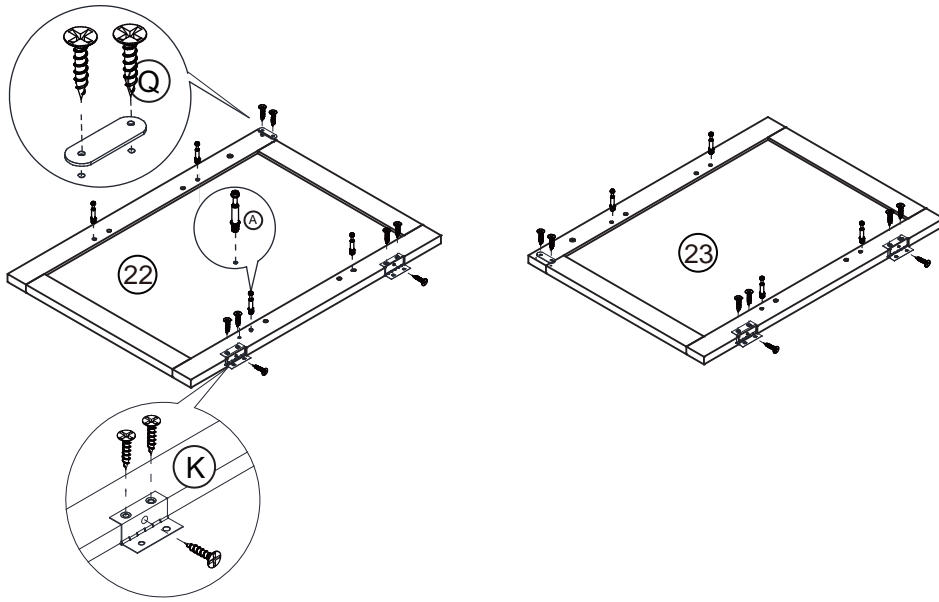
(J)

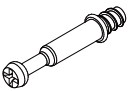
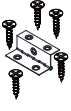



Shelf support pin x 8

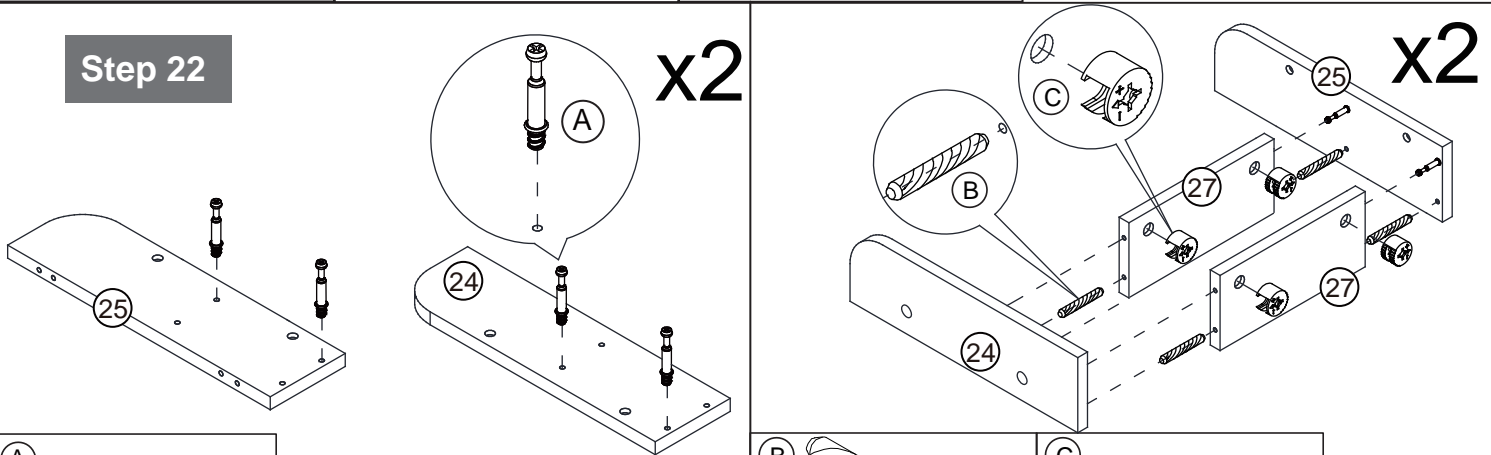
Assembly Instructions

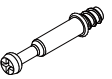
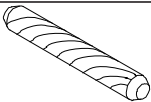

Step 21

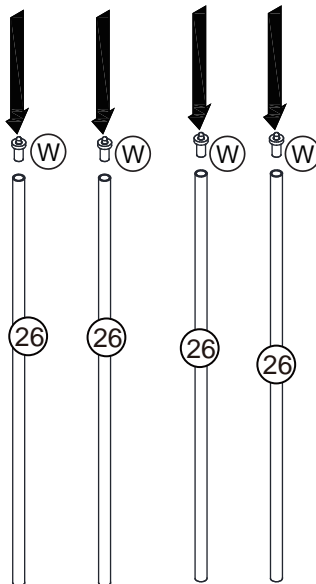
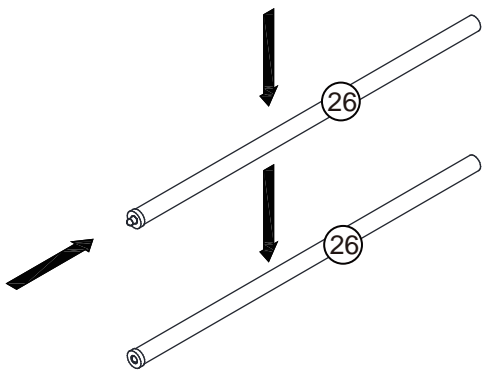


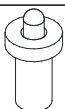
- | | | |
|--|---|---|
| <p>(A) </p> <p>Cam Bolt x 8</p> | <p>(K) </p> <p>3*12mm Triple fold hinge x 4set</p> | <p>(Q) </p> <p>3*12mm Magnetic sheet x 2SET</p> |
|--|---|---|

Step 22



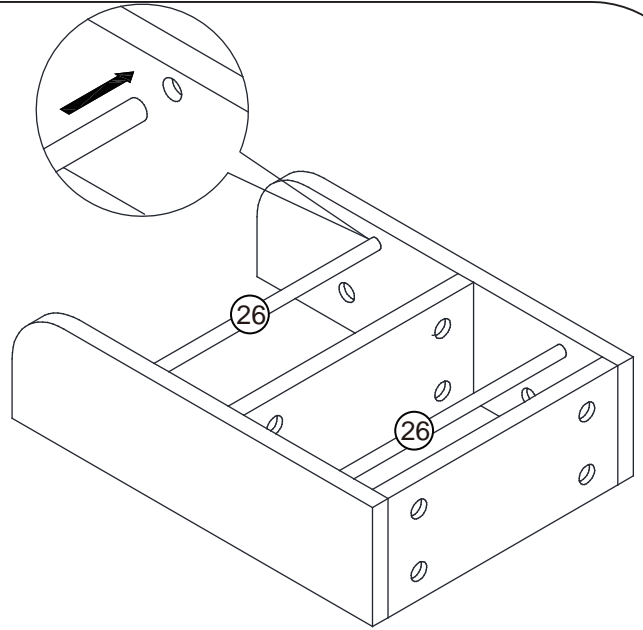
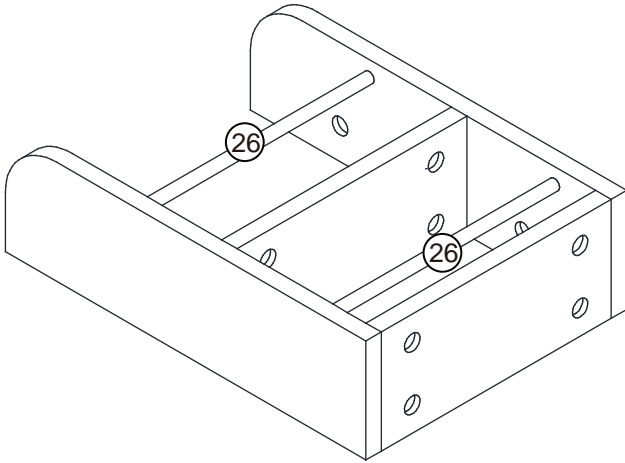
- | | | |
|--|---|--|
| <p>(A) </p> <p>Cam Bolt x 8</p> | <p>(B) </p> <p>6*30mm Dowel x 8</p> | <p>(C) </p> <p>Cam lock x 8</p> |
|--|---|--|



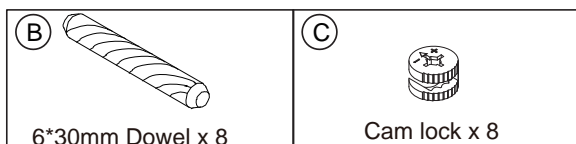
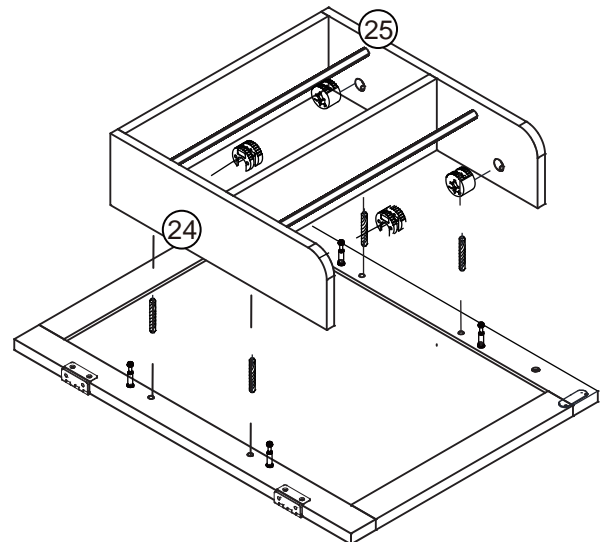
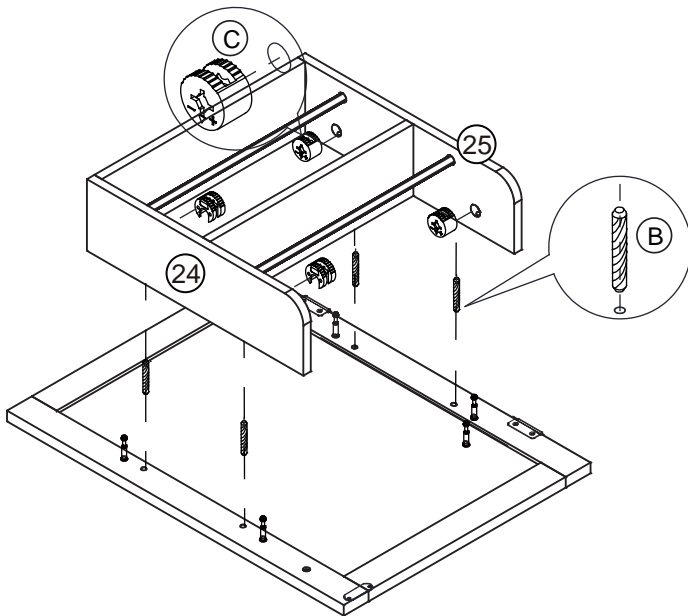
- (W) 
- Iron pipe spring x 4

Assembly Instructions

Step 23

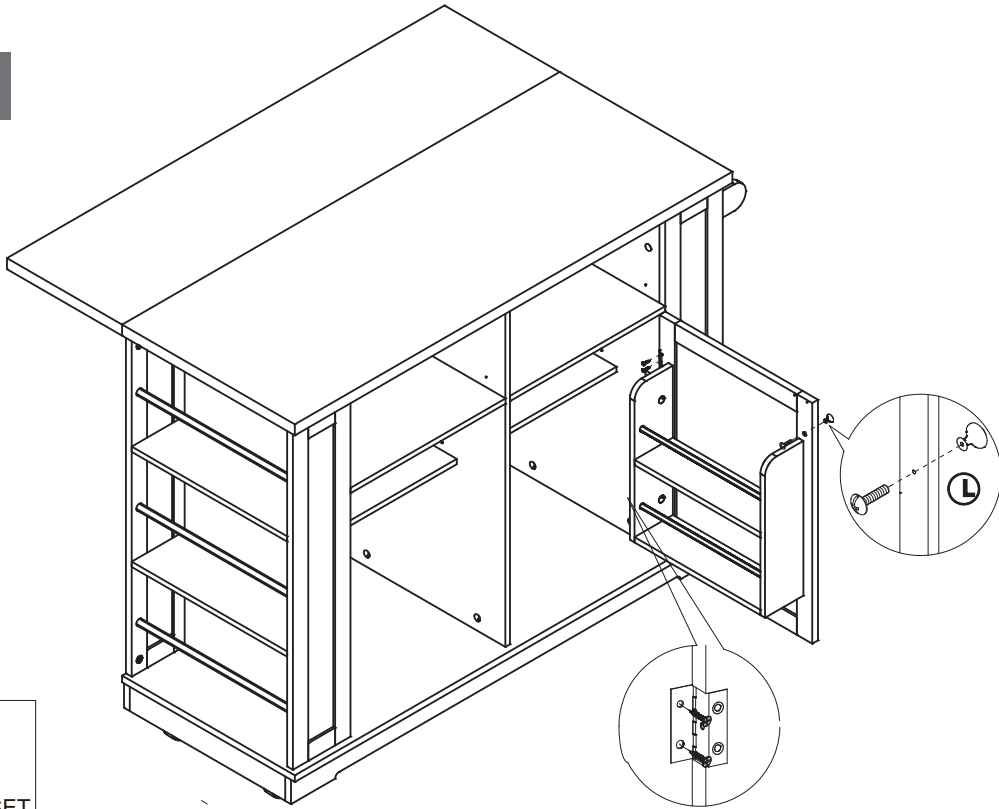


Step 24

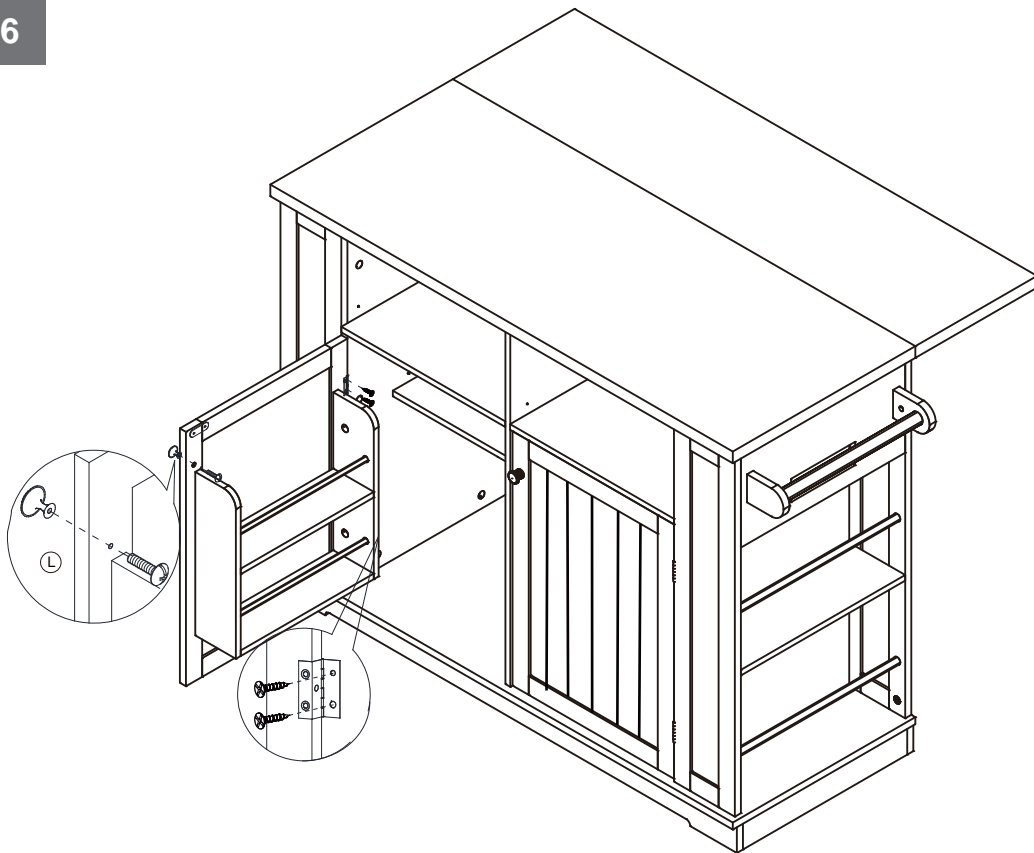


Assembly Instructions

Step 25



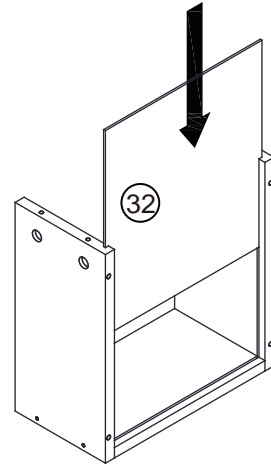
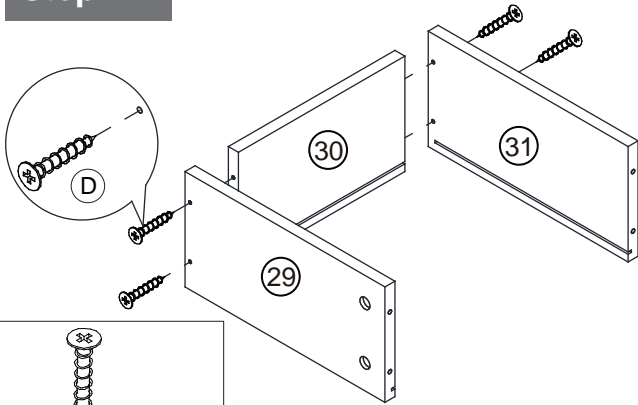
Step 26



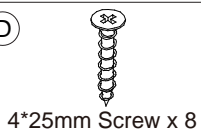
Assembly Instructions

Step 27

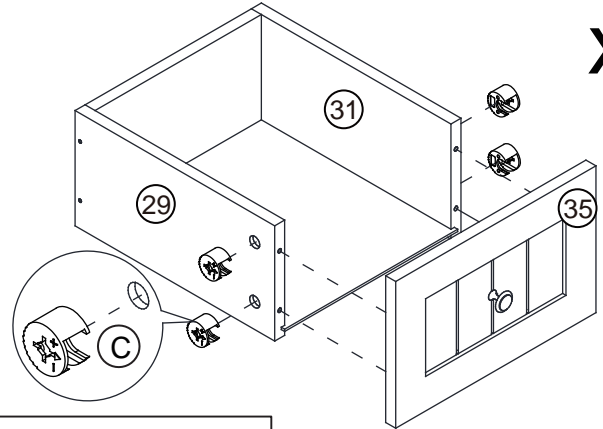
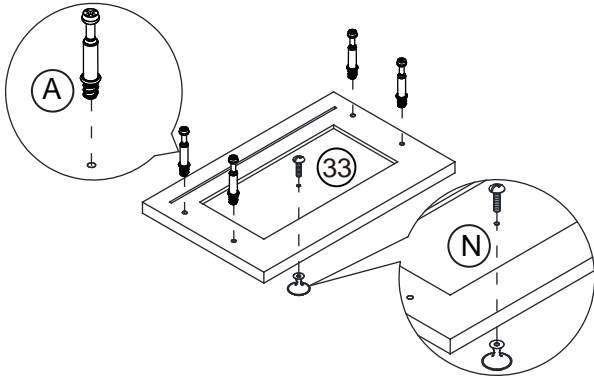
x2



D

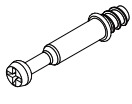


4*25mm Screw x 8



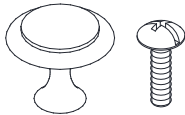
x2

A



Cam Bolt x 8

N



4*12mm Handle x 2SET

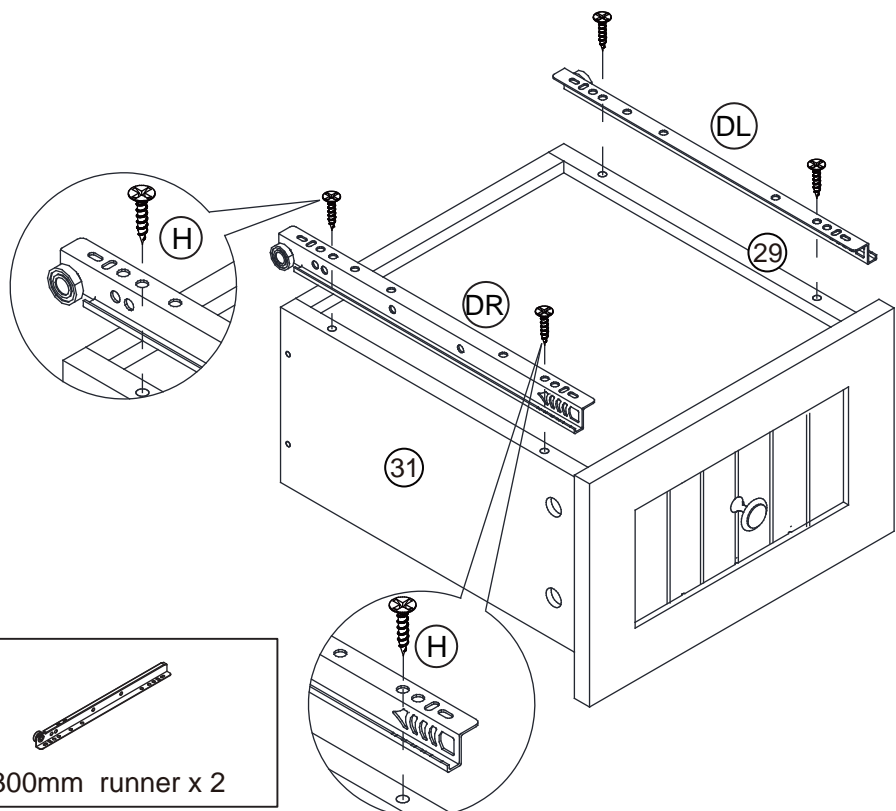
C



Cam lock x 8

Step 28

x2



H



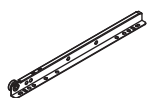
3.5*12mm Screw x 8

DL



300mm runner x 2

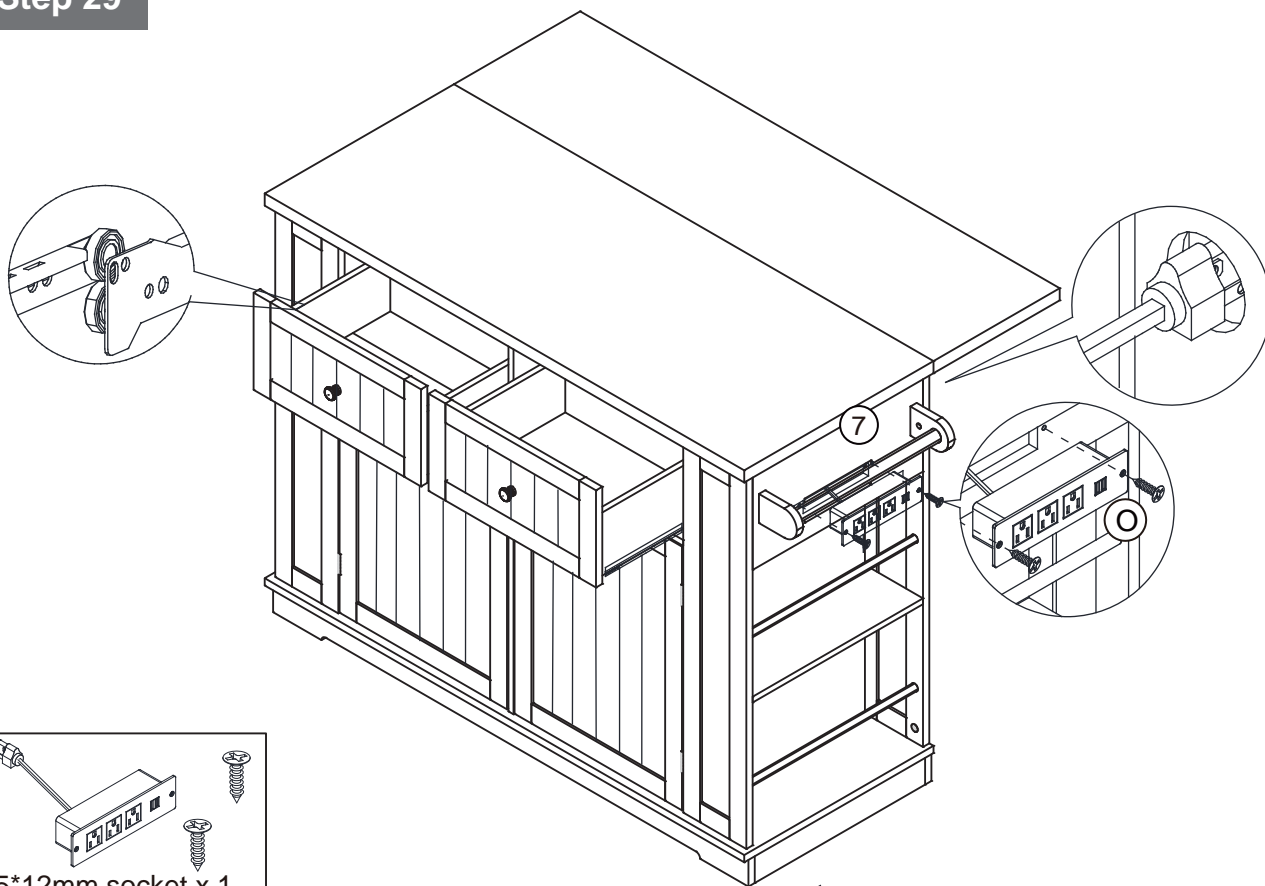
DR



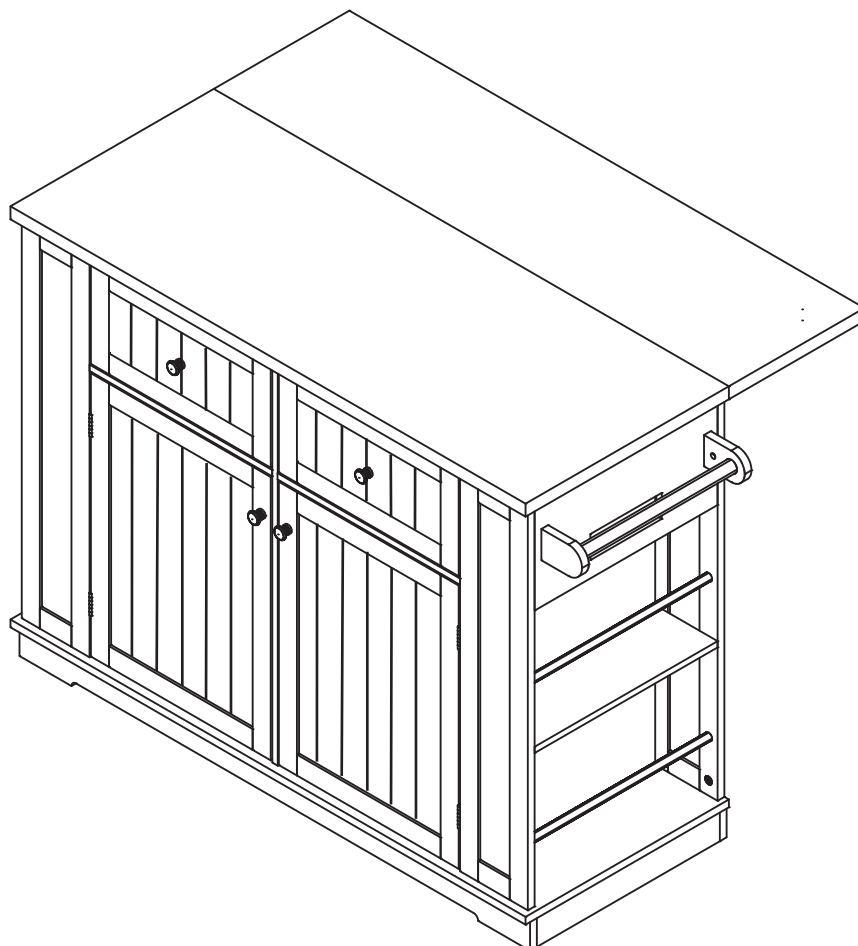
300mm runner x 2

Assembly Instructions

Step 29

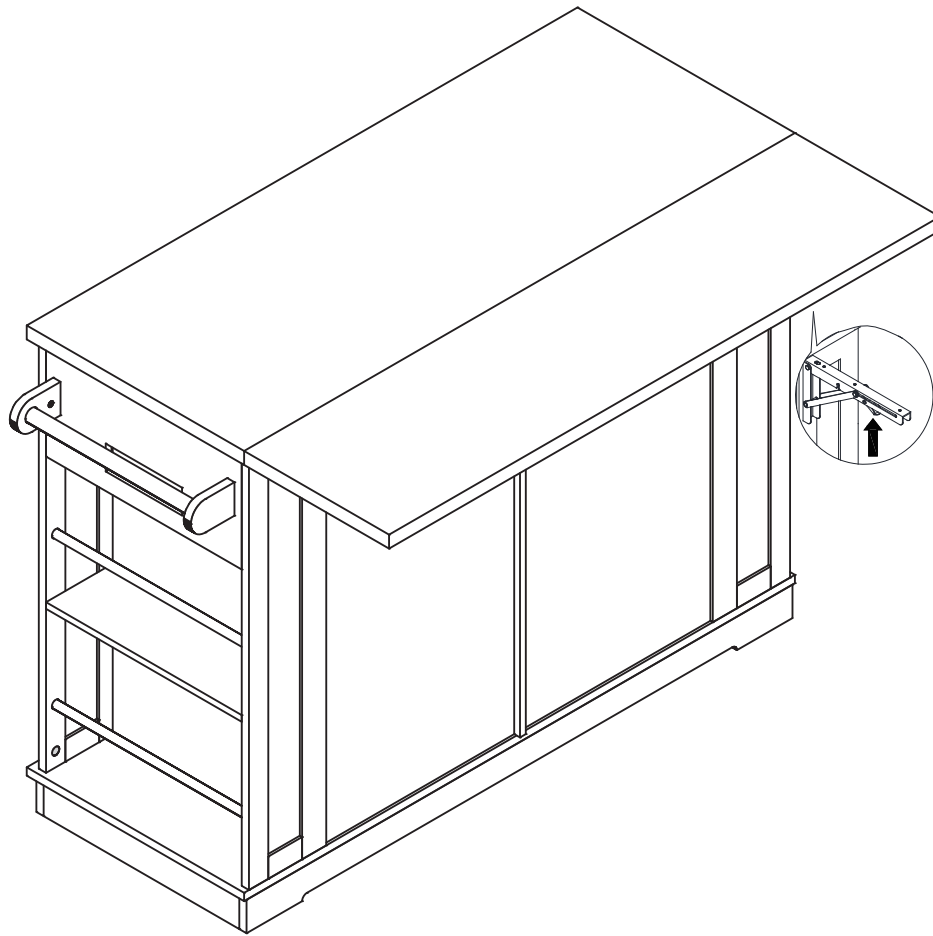


Step 30

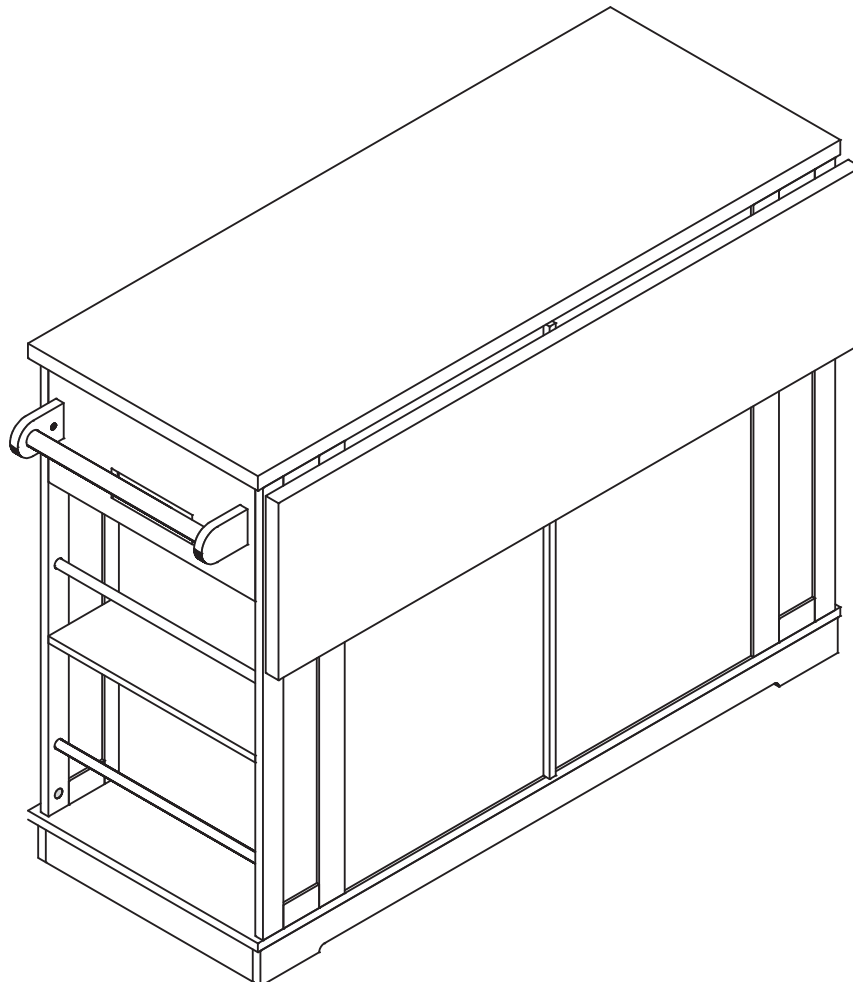


Assembly Instructions

Step 31

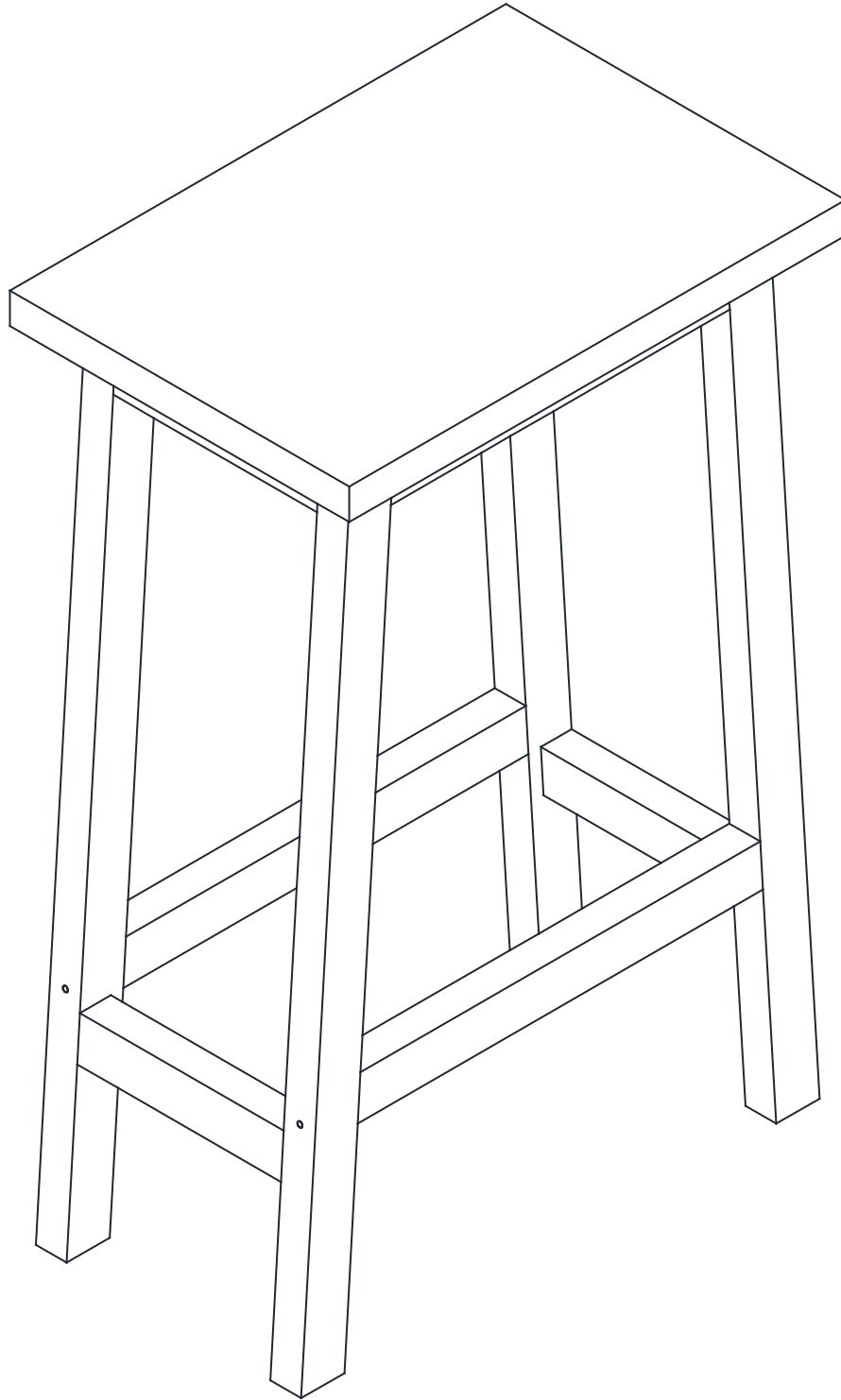


Step 32



Bar Stool set of 2

Assembly Instructions - Please keep for future reference



Important – Please read these instructions fully before starting assembly



Safety and Care Advice

Important – Please read these instructions fully before starting assembly

- Check you have all the components and tools listed on the following pages.
- Remove all fittings from the plastic bags and separate them into their groups.
- Keep children and animals away from the work area, small parts could choke if swallowed.
- Make sure you have enough space to layout the parts before starting.

- During assembly do not stand or put weight on the product, this could cause damage.
- Assemble the item as close to its final position (in the same room) as possible.
- Assemble on a soft level surface to avoid damaging the unit or your floor.
- Parts of the assembly will be easier with 2 people.



power drill is set on a low torque setting.

- To reduce the likelihood of damaging your product please ensure that your

Care and maintenance

- Only clean using a damp cloth and mild detergent, do not use bleach or abrasive cleaners.
- From time to time check that there are no loose screws on this unit.
- This product should not be discarded with household waste. Take to your local authority waste disposal centre.

Handy Hints

- Assemble all parts and bolts loosely during assembly, only once the product is complete should you fully tighten the bolts
- Regularly check and ensure That all bolts and fittings are tightend properly.

WARNING
In order to help prevent overturning – please follow these instructions



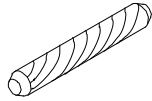
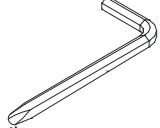
To help prevent product toppling over please follow the below steps:-

- Use the anti tip stap or wall fixing method provided (if applicable)
- Do not allow children to climb or hang on the furniture
- Do not open more than one drawer at a time
- Do not place heavy items in the top drawers
- Do not place heavy items on top of the furniture, unless the furniture has been designed for this purpose

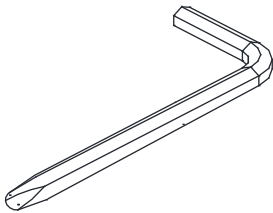
Components - Fittings

Please check you have all the panels listed below

Note: The quantities below are the correct amount to complete the assembly. In some cases, more fittings may be supplied than required.

<p>(A)</p>  <p>4*35mm Screw x 4</p>	<p>(B)</p>  <p>7*40mm Screw x 9</p>	<p>(C)</p>  <p>Dowel x 9</p>	<p>(D)</p>  <p>Allen key x 1</p>
--	--	--	---

Tools required



Phillips screwdriver
(medium & large)

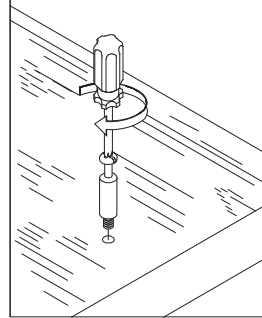
Using Camlocks

Step 1

Connect the male camlock as directed in the assembly instructions using a screwdriver.

1

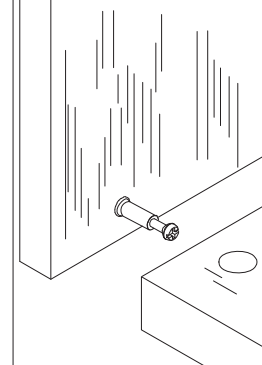
DO NOT OVER TIGHTEN.
NE PAS SERRER EXCESSIVEMENT.



Step 2

Push the male camlock into the entry hole.

2

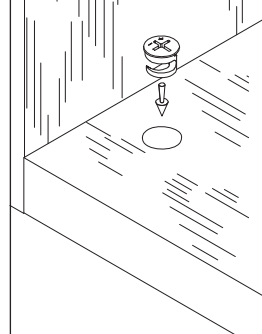


Step 3

Insert the female camlock as shown in the instruction.

Note: ensure that the arrow on the top of the camlock points towards the entry hole for the male camlock.

3



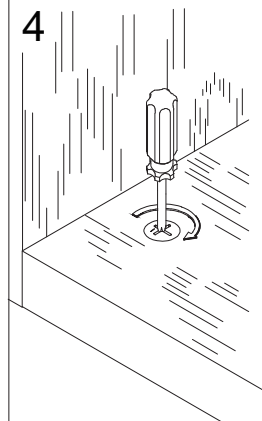
Step 4

Turn the female camlock clockwise with a screwdriver.

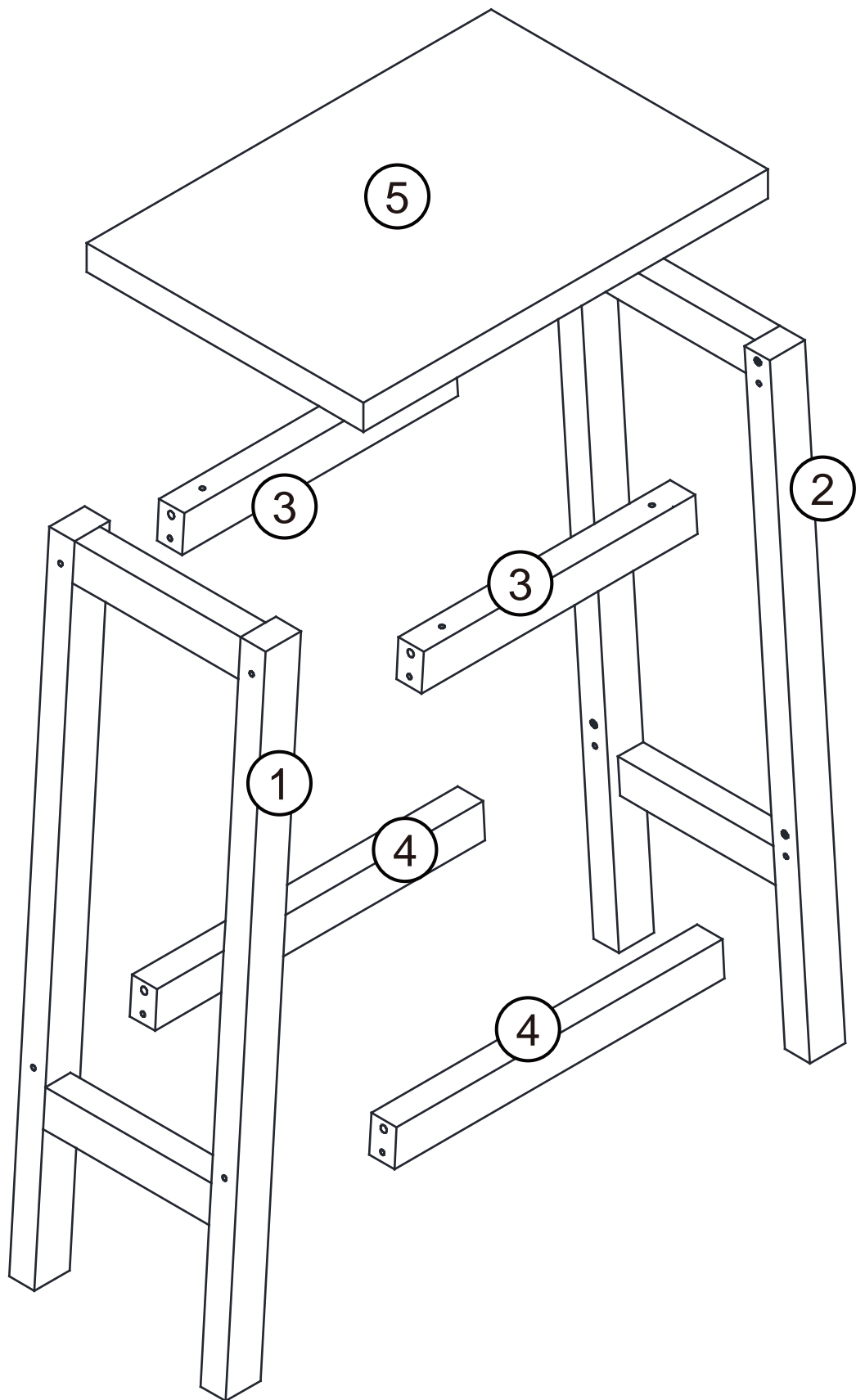
You should feel a click when the camlock is locked in place.

The joint is now secure.

4

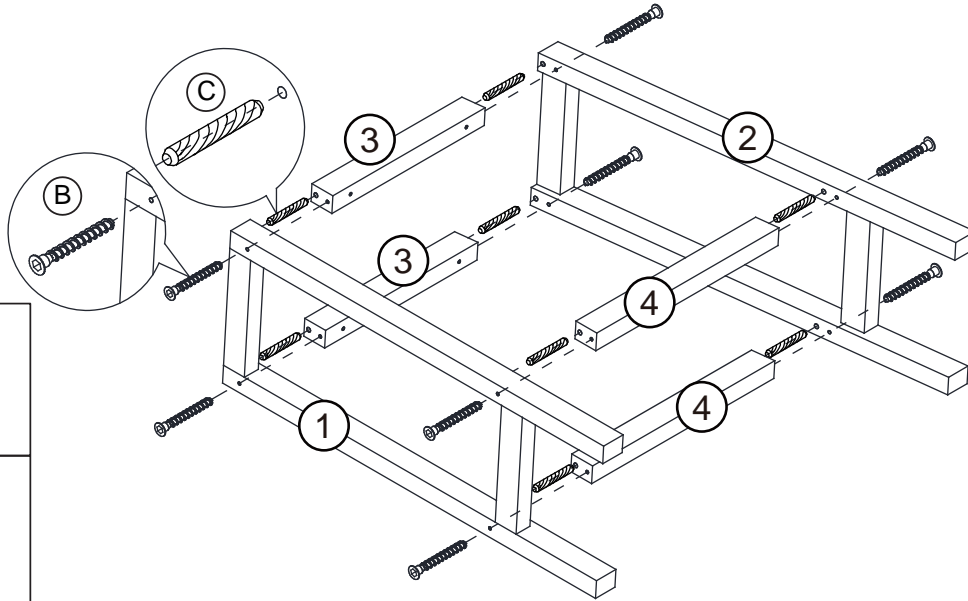


Assembly Instructions



Assembly Instructions

Step 1



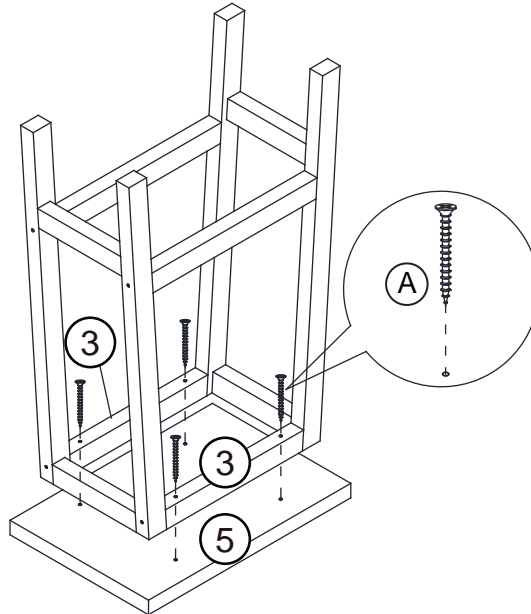
(B)

7*40mm Screw x 8

(C)

Dowel x 8

Step 2



(A)

4*35mm Screw x 4

Step 3

