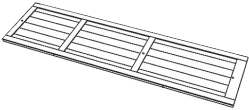
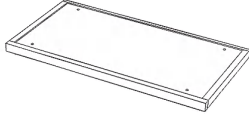
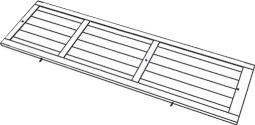
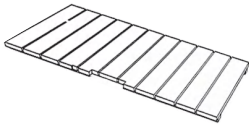
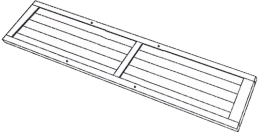
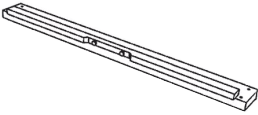
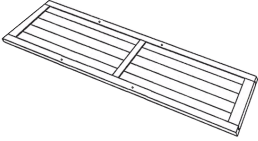
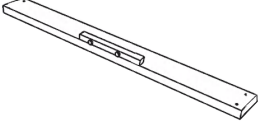
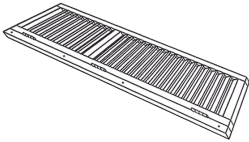
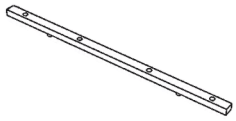
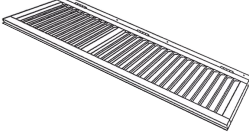

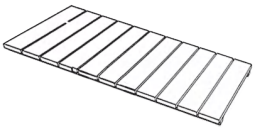
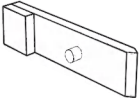
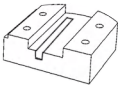


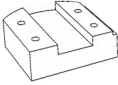
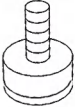

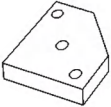

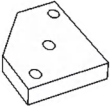


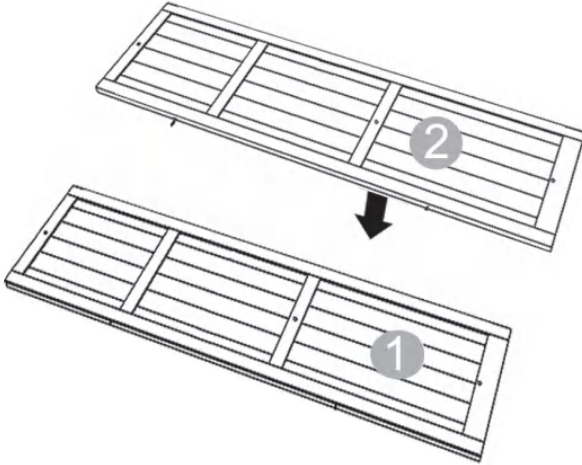
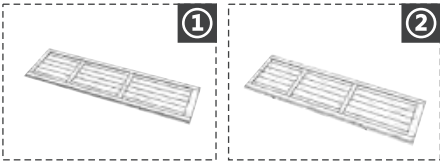
Parts List

	① x1		⑧ x1
	② x1		⑨ x1
	③ x1		⑩ x1
	④ x1		⑪ x1
	⑤ x1		⑫ x3
	⑥ x1		⑬ x4
	⑦ x2		⑭ x1

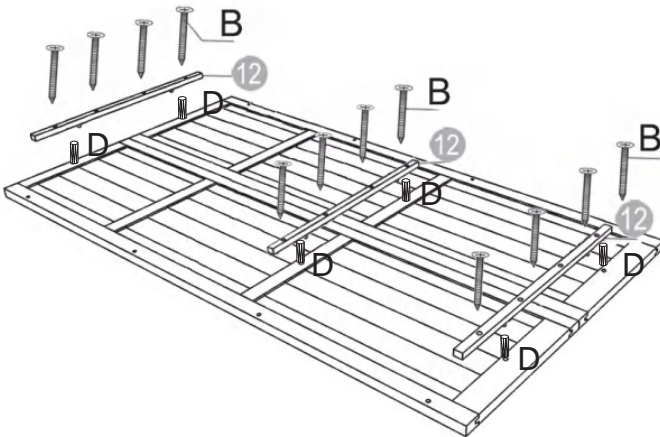
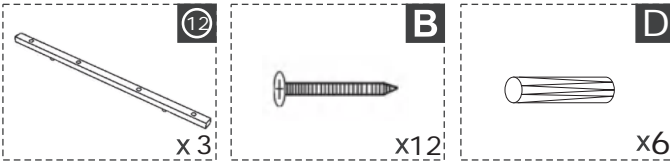
Parts List

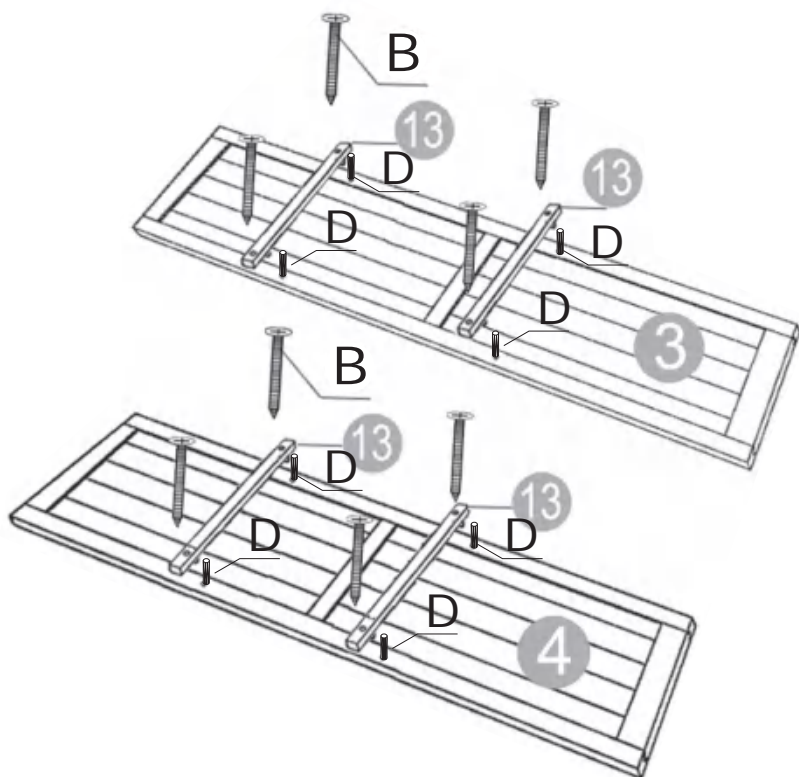
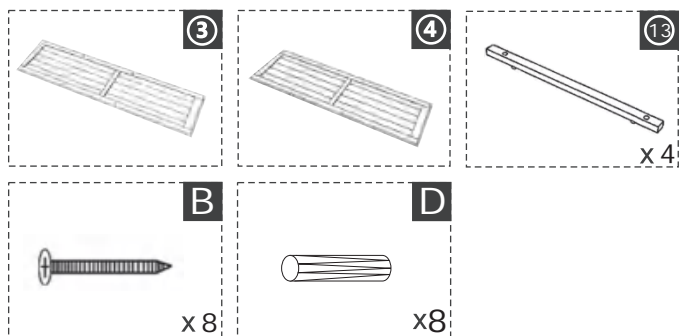
	15 x 1	 A x32+2
M3.5*40		 B x28+2
	16 x 1	M3.5*30
	17 x 4	 C x4+1
M3.5*35		D x14
	18 x 2	
	19 x 2	

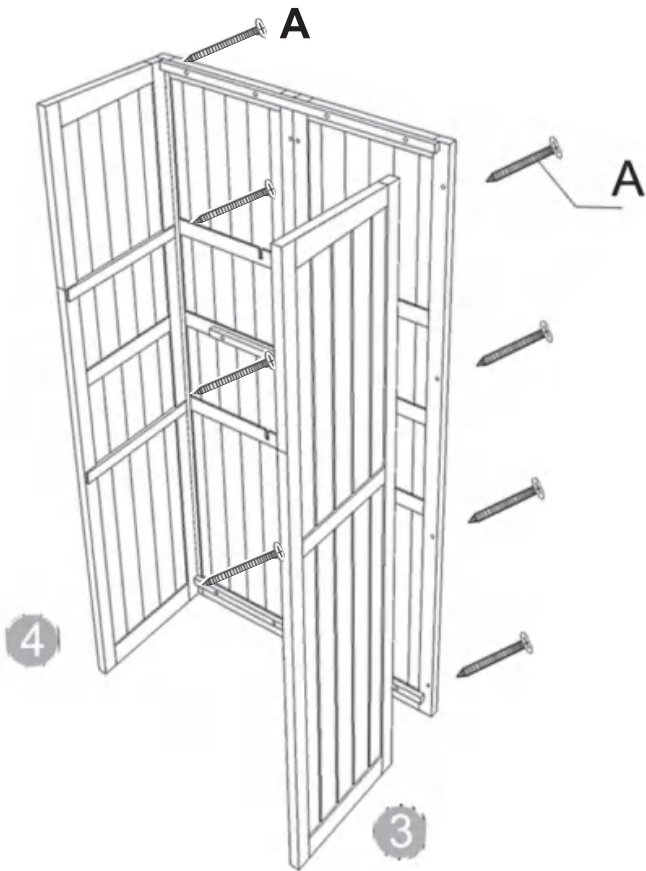
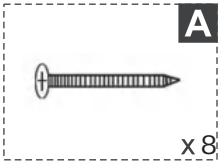
01

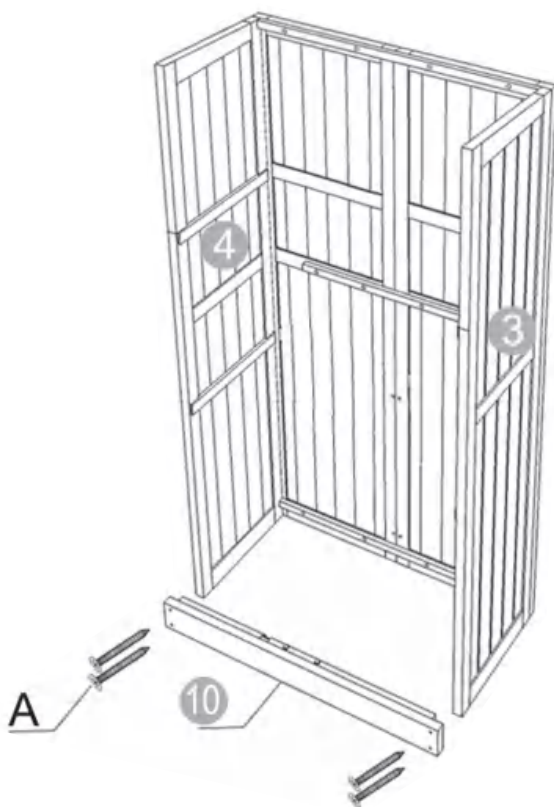
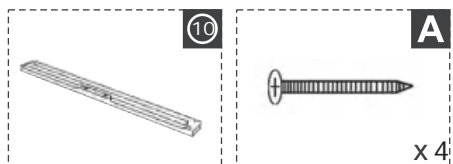


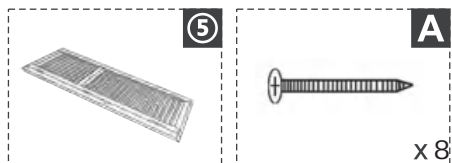
02











x8

