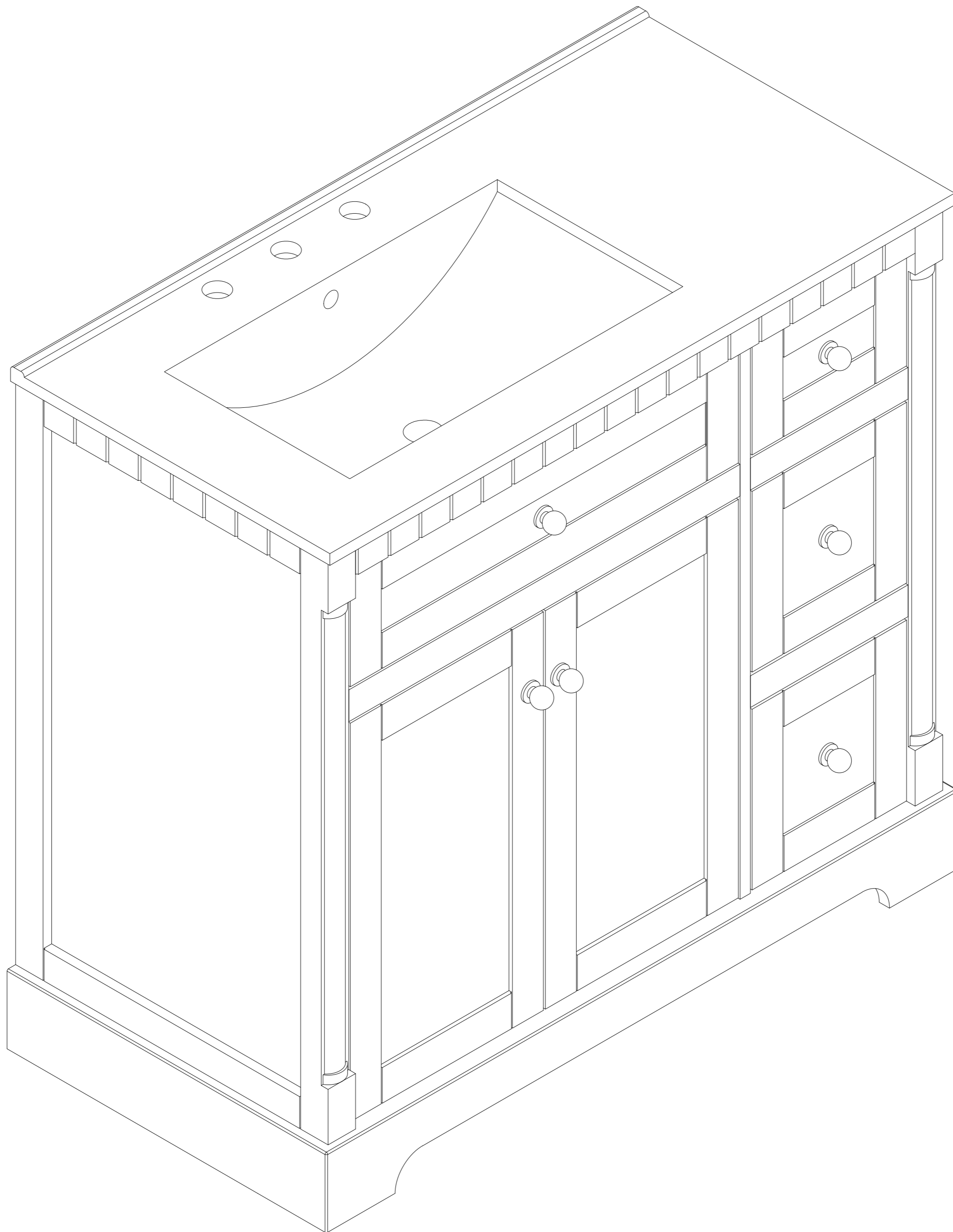


ASSEMBLY INSTRUCTIONS

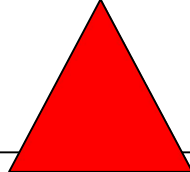
36" BATHROOM VANITY

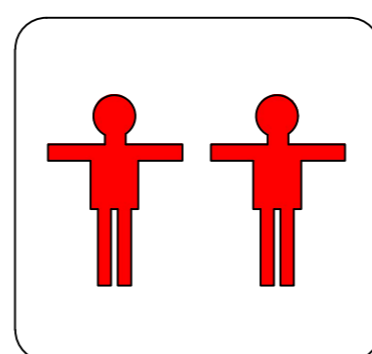
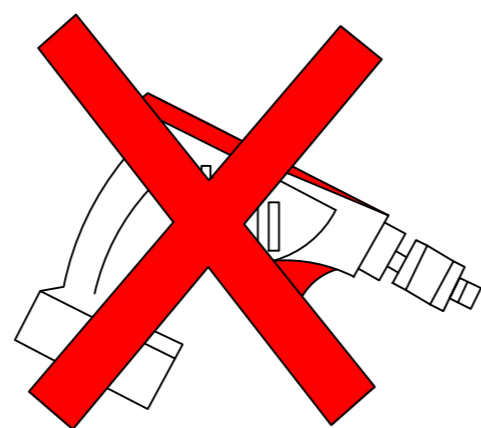
N710P279991F



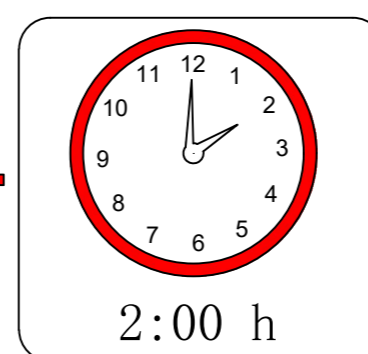
Thank you for purchasing this quality product. Be sure to check all packing material carefully for small parts which may have come loose inside the carton during shipment. Separate, identify and count all parts and hardware. Compare with the parts list to be sure all parts are present.

"DO NOT TIGHTEN SCREWS UNTIL COMPLETELY ASSEMBLED"

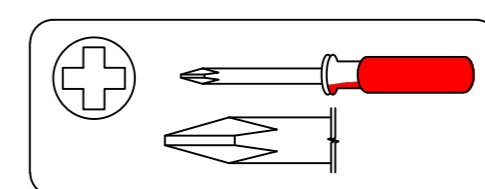

* Use of power tool to assemble this product will invalidate any claim and damage this product making unsafe!!!
*Please assemble on a clean soft surface to avoid damage.



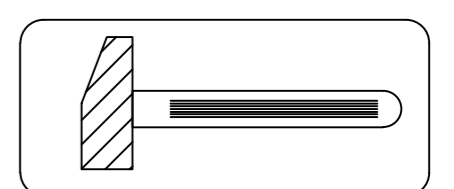
+



Tools Required



(Not included)



(Not included)

IMPORTANT:

PLEASE READ INSTRUCTION BEFORE STARTING THE ASSEMBLY

PLEASE DO NOT RETURN TO STORE



**Please do not return this product to the retailer!!
We are able to assist you in ANY way**

If you find that you have any trouble with assembly or missing or damaged parts please contact the seller.

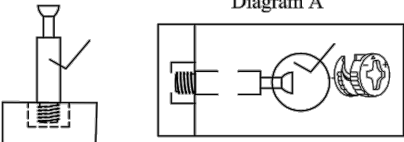
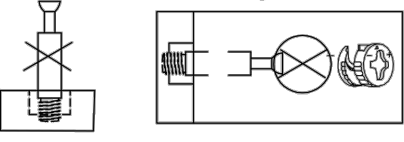
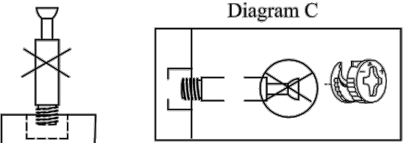
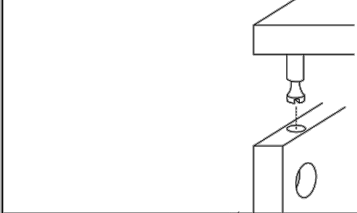
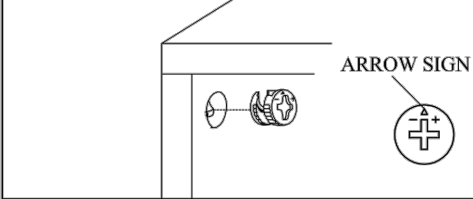
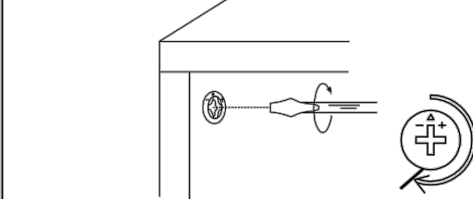
Before Installation

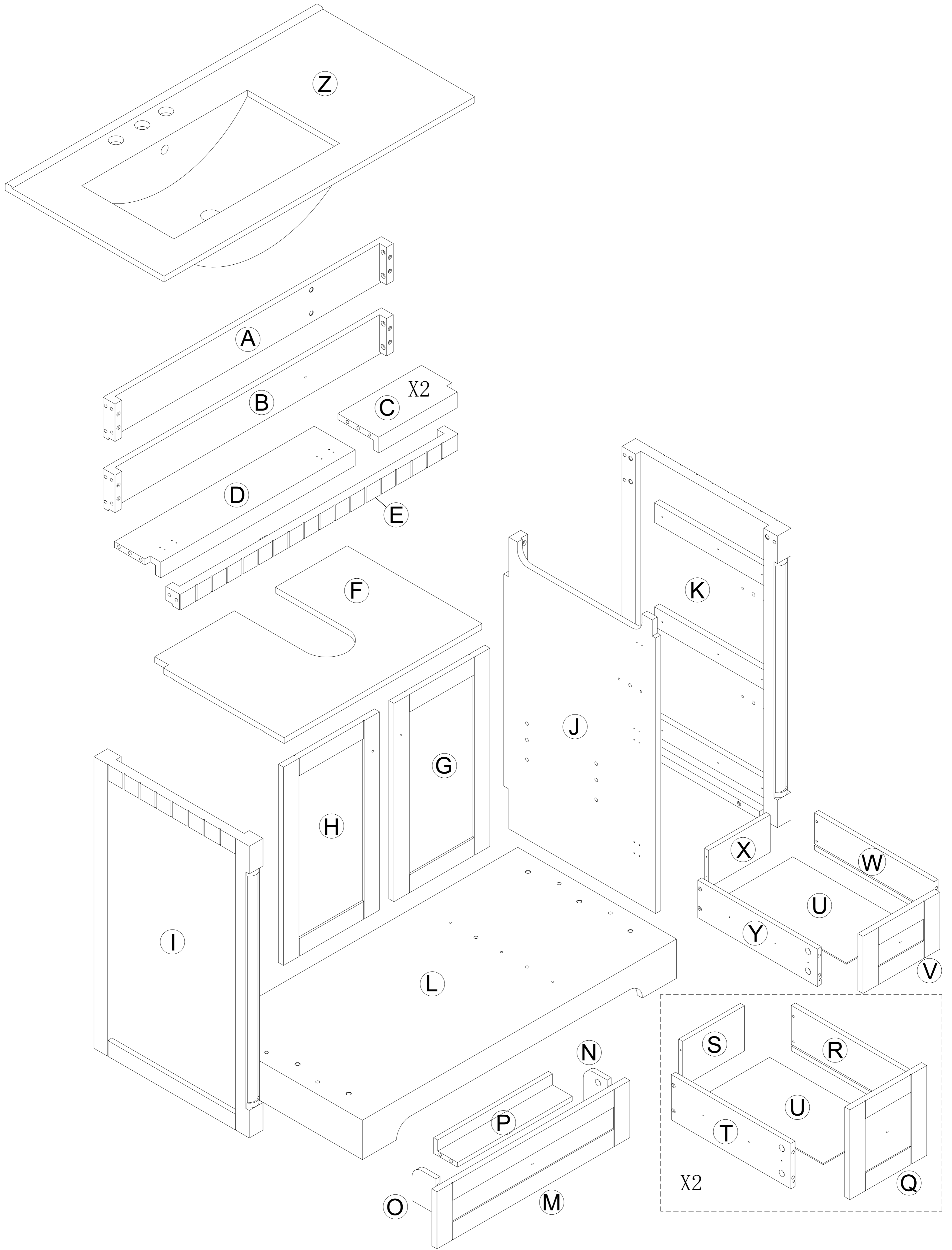
Important – Please read these instructions fully before starting assembly

Thank you for purchasing this quality product. Be sure to check all packing materials carefully for small parts, which may have come loose inside the carton during shipment. Identify and count all items according to the PARTS LIST and/or HARDWARE LIST shown below. Check you have all the components and tools listed on the following pages.

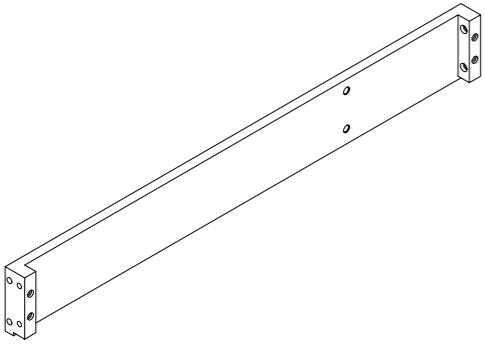
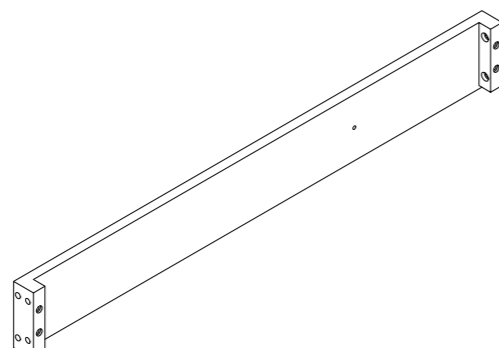
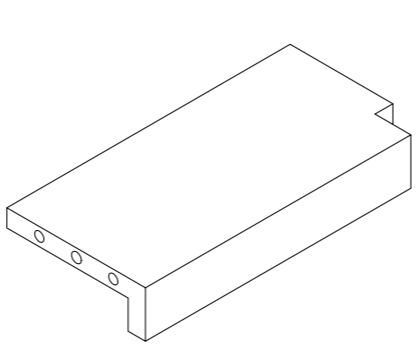
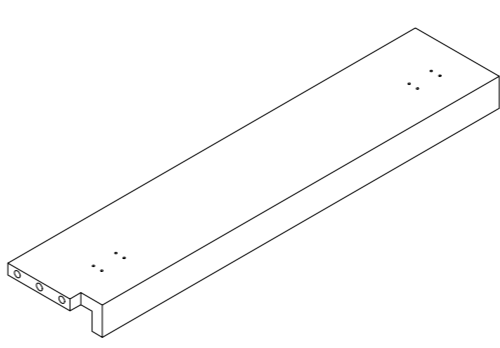
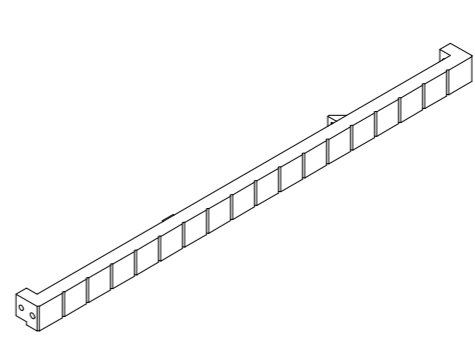
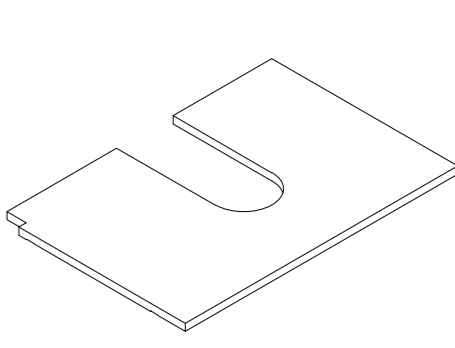
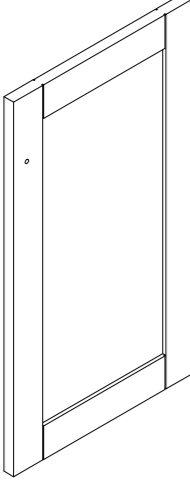
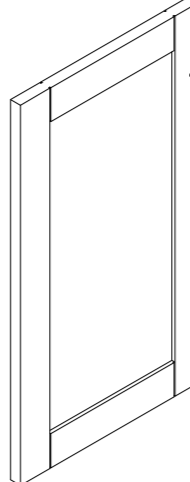
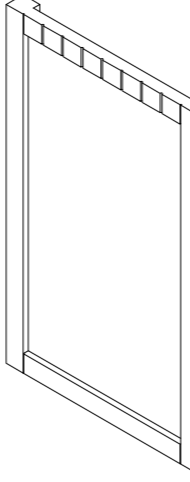
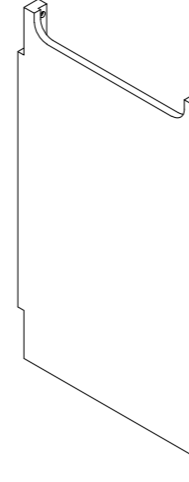
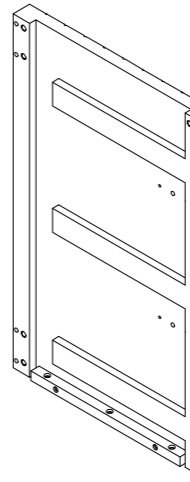
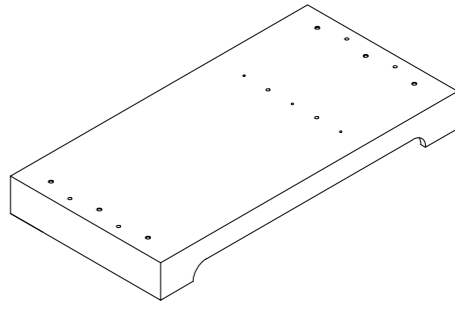
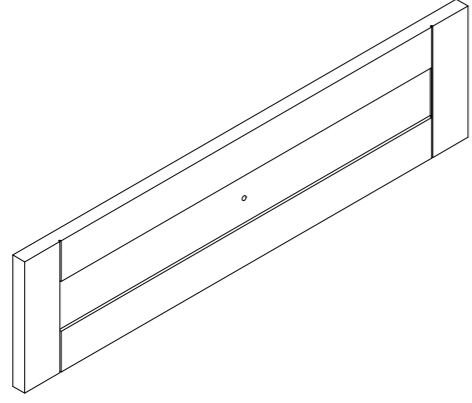
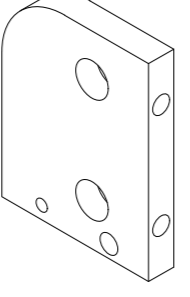
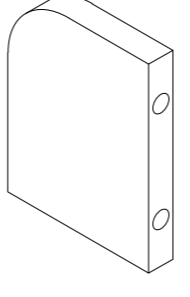
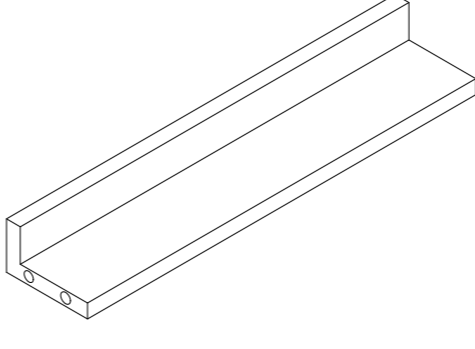
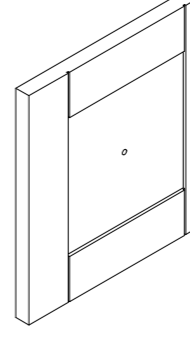
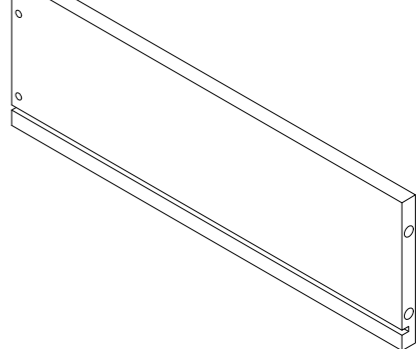
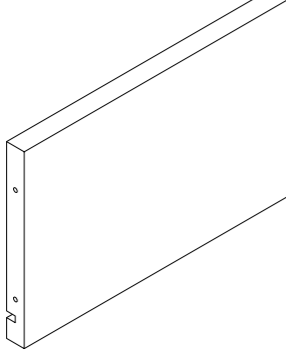
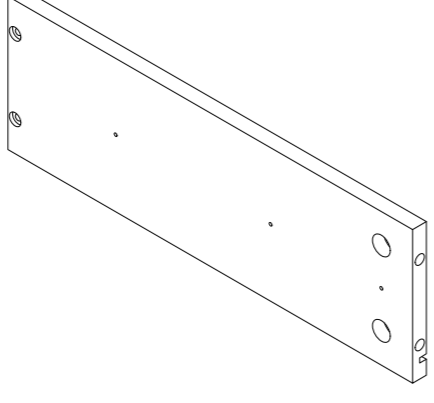
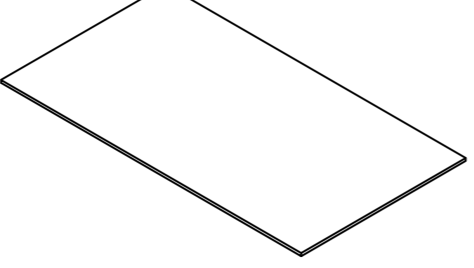
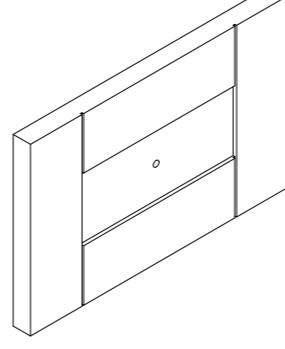
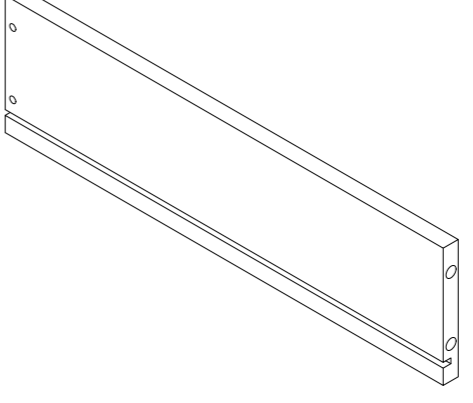
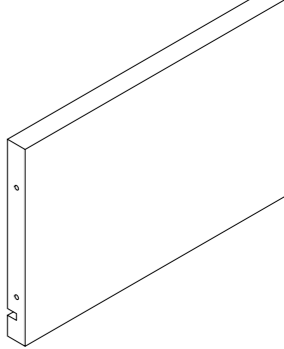
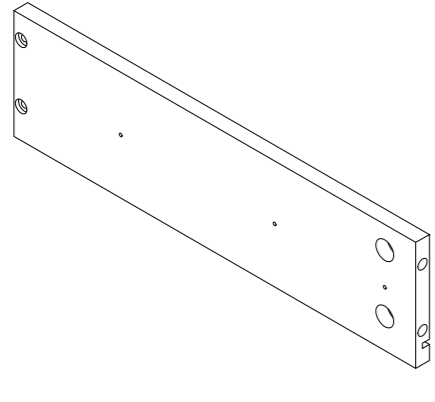
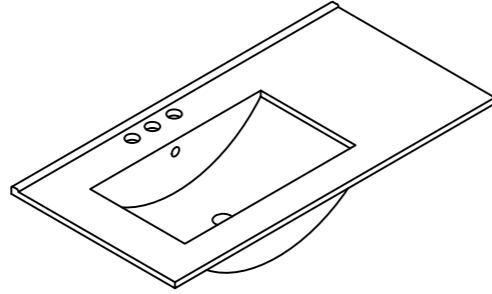
- We recommend that you assemble this product with the assistance of another person; this will make the assembly easier, and will help eliminate damage to the product or injury to persons during assembly.
- Please do not over tighten screws or bolts until the assembly is completed.
- Keep children and animal away from the work area, small parts could choke if swallowed.
- Please put all parts on a non-abrasive floor before assembly, and follow the assembly steps to assemble your newly purchased product correctly and efficiently.

Cam Lock Assembly Instructions

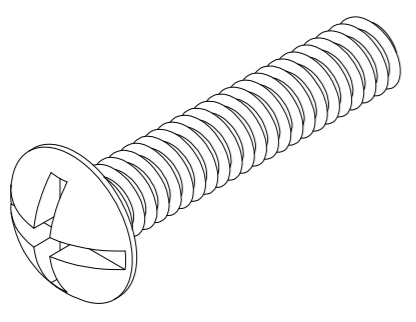
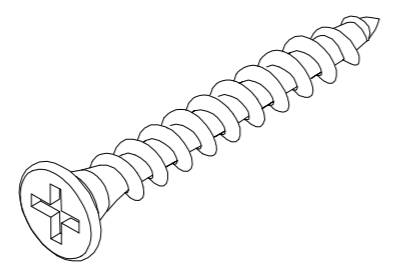
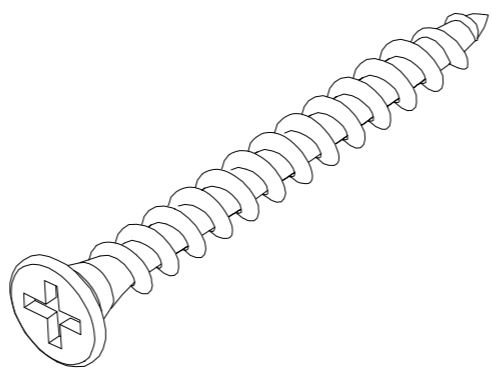
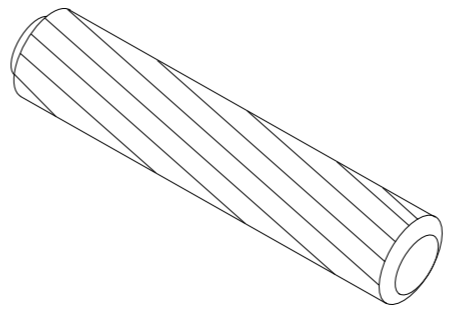
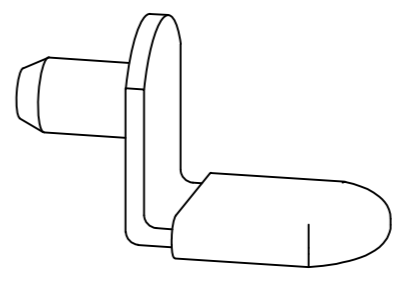
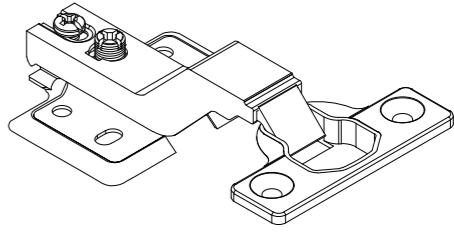
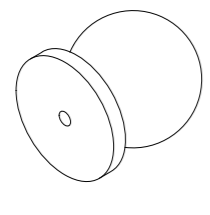
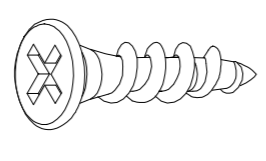
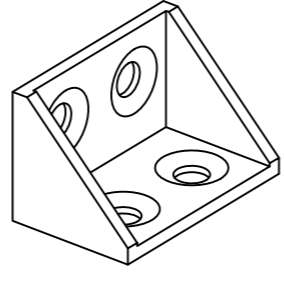
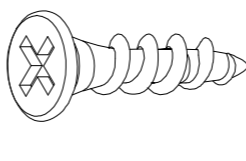
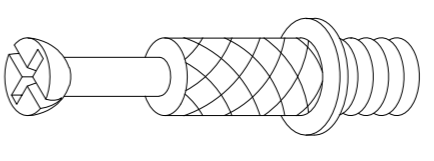
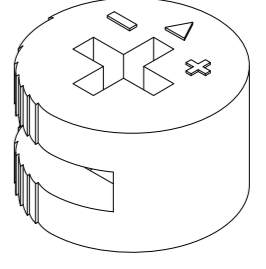
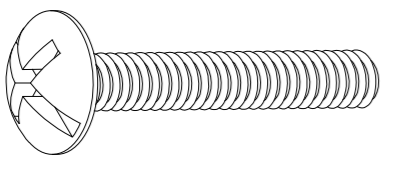
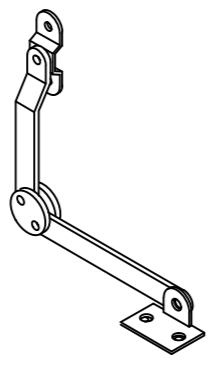
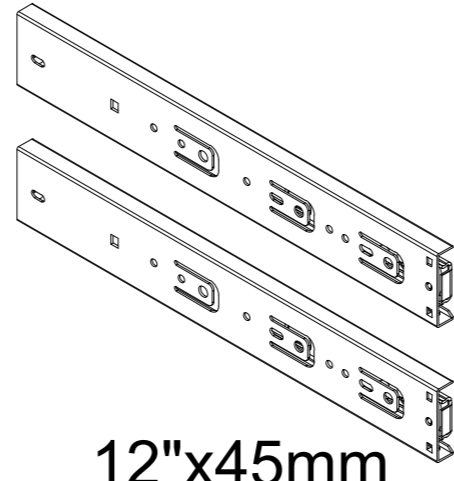
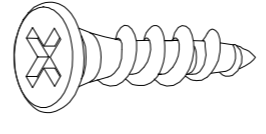
	<p>Diagram A</p> <p>Insert Cam Bolt into hole as shown in diagram A.</p>
	<p>Diagram B</p> <p>Make sure not to insert the Cam Bolt: Too deep as shown in figure B as this will cause the Cam Lock to be misaligned and unable to interlock properly.</p>
	<p>Diagram C</p> <p>Also avoid inserting the Cam Bolt too close to the surface of the hole as shown in figure C, as this will cause the Cam Lock to be too loose, and not interlock properly.</p>
	<p>Connect the panels together.</p>
	<p>ARROW SIGN</p> <p>Insert the Cam Lock so the side opening fits over the head of the Cam Bolt.</p>
	<p>To tighten the Cam Lock, turn it clockwise on half a turn with a flat screwdriver. <i>*Do not use an automatic screwdriver as it may bend or break if too much power is imposed.</i></p>



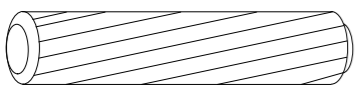
PRODUCT PARTS :

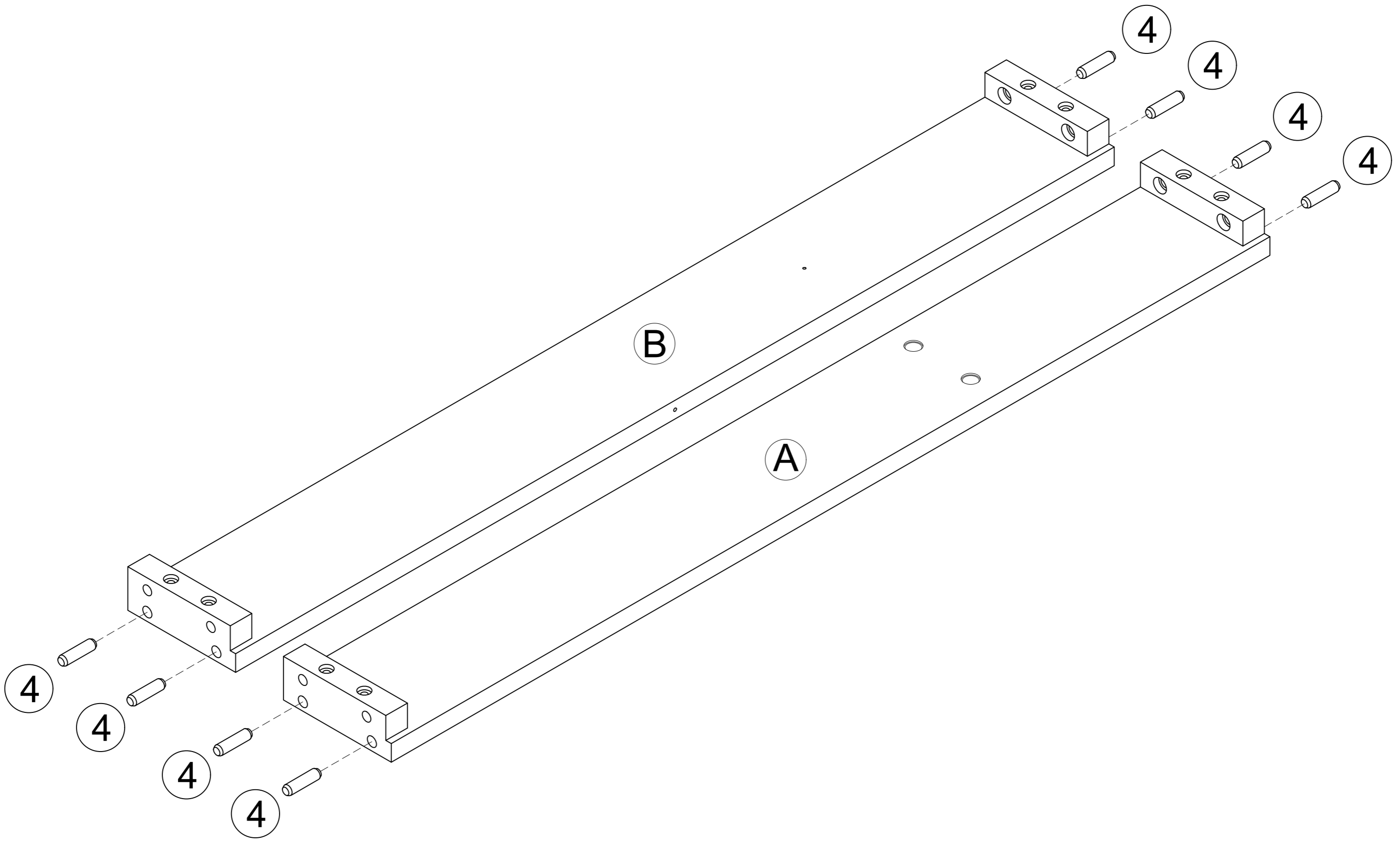
A	B	C	D	E	F
					
1PC	1PC	2PCS	1PC	1PC	1PC
G	H	I	J	K	L
					
1PC	1PC	1PC	1PC	1PC	1PC
M	N	O	P	Q	R
					
1PC	1PC	1PC	1PC	2PCS	2PCS
S	T	U	V	W	X
					
2PCS	2PCS	3PCS	1PC	1PC	1PC
Y	Z				
					
1PC	1PC				

HARDWARE :

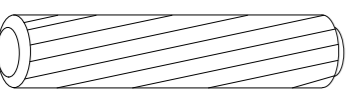
①	②	③	④	⑤	⑥
					
1/4"x25mm	Ø4x25mm	Ø4x35mm	Ø8x30mm		
18+1 PCS	12+1 PCS	4 PCS	24+2 PCS	4 PCS	6 PCS
⑦	⑧	⑨	⑩	⑪	⑫
					
	Ø4x12mm	20x20x33mm	Ø3x12mm	Ø6x33mm	Ø15x9mm
6 PCS	36+2 PCS	1 PC	8 PCS	30+2 PCS	30+2 PCS
⑬	⑭	⑮	⑯		
					
5/32"x18mm		12"x45mm	Ø3x10mm		
6 PCS	1 PC	3 SET	36+2 PCS		

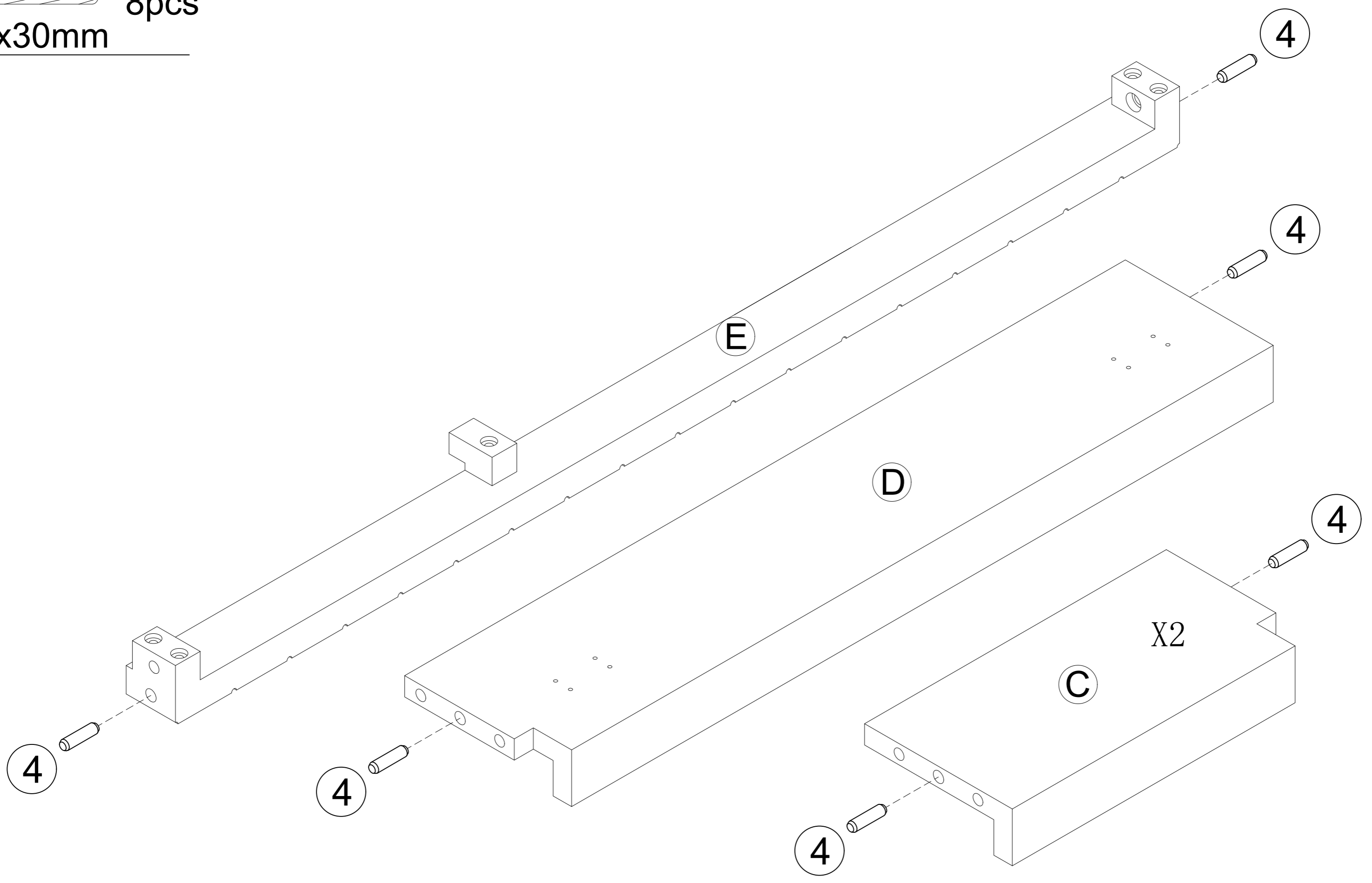
STEP 1

4  8pcs
Ø8x30mm

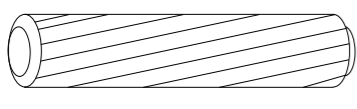
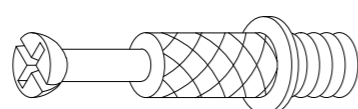


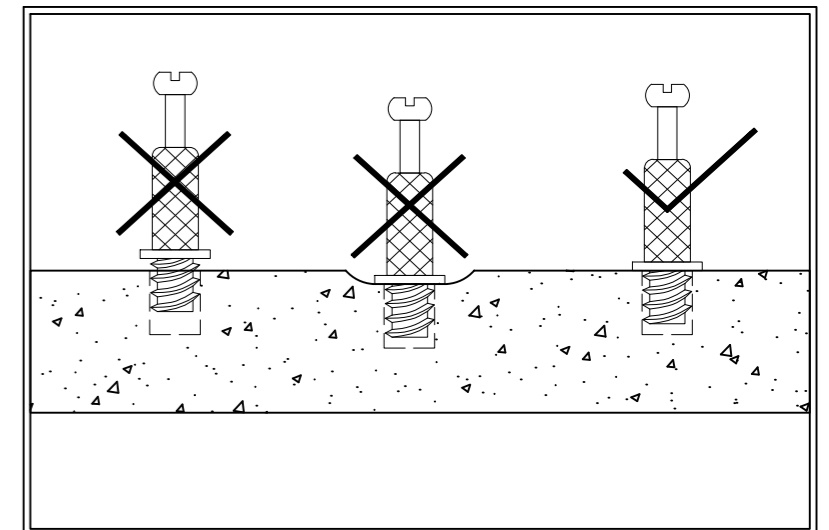
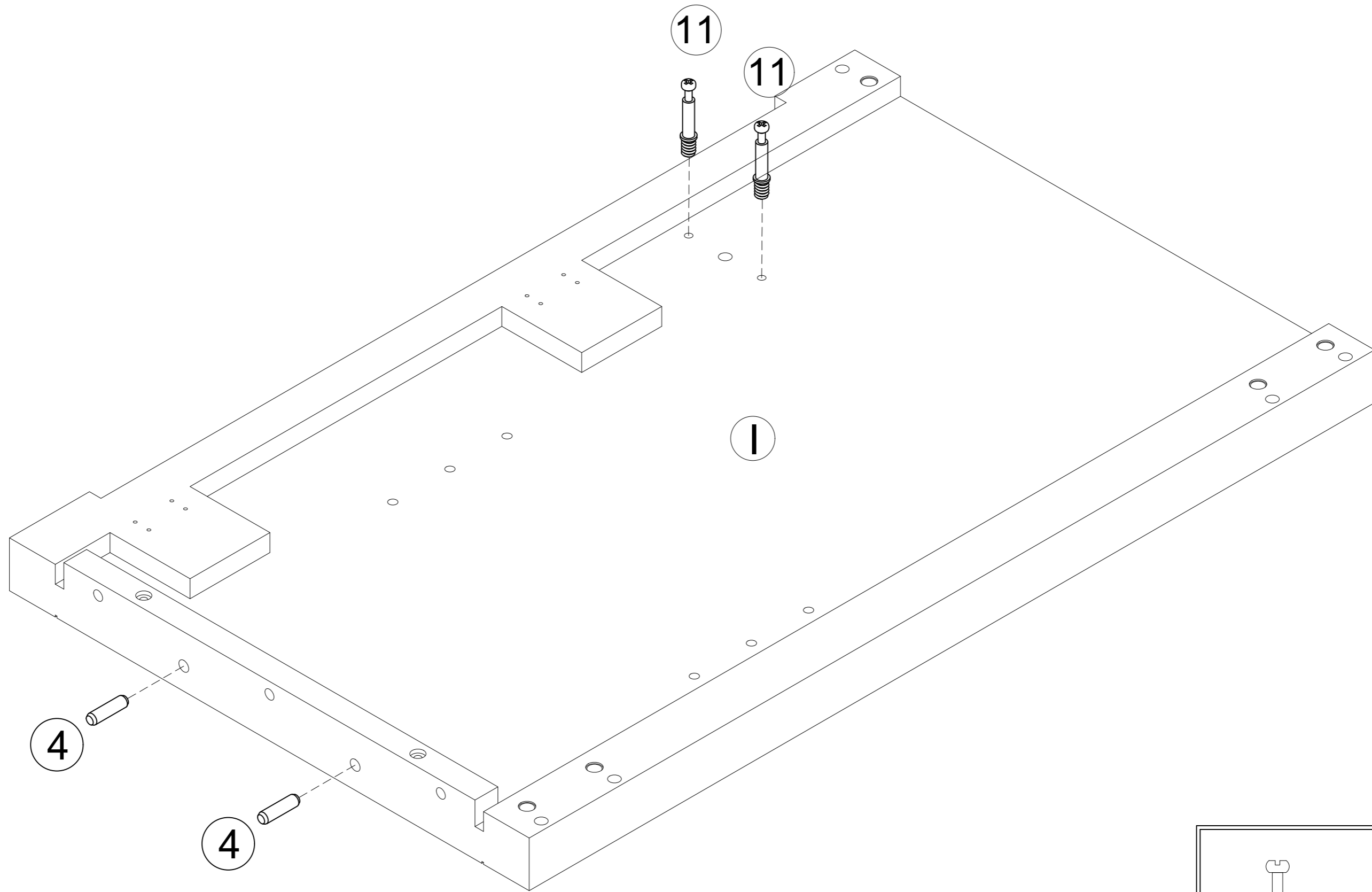
STEP 2

4  8pcs
Ø8x30mm

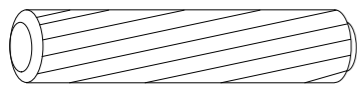
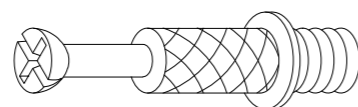


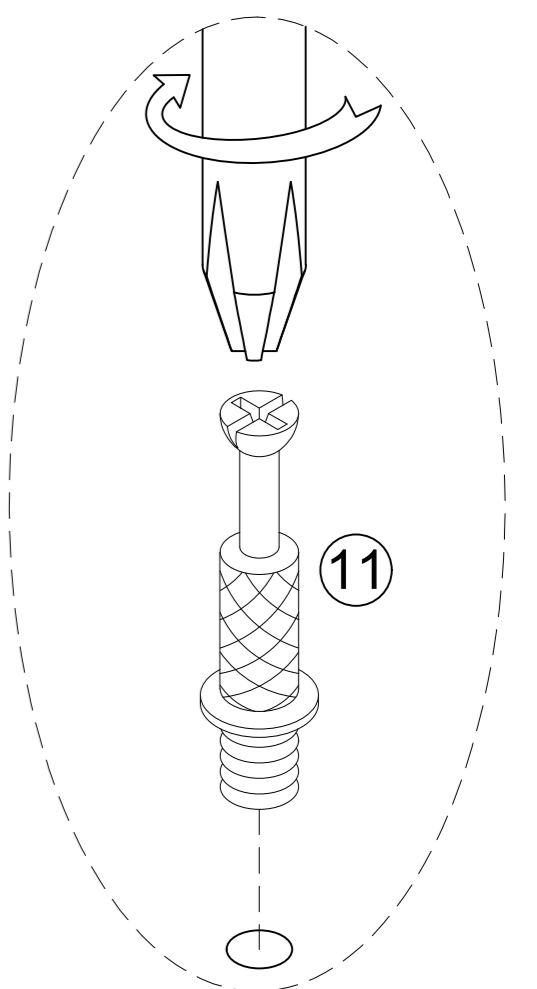
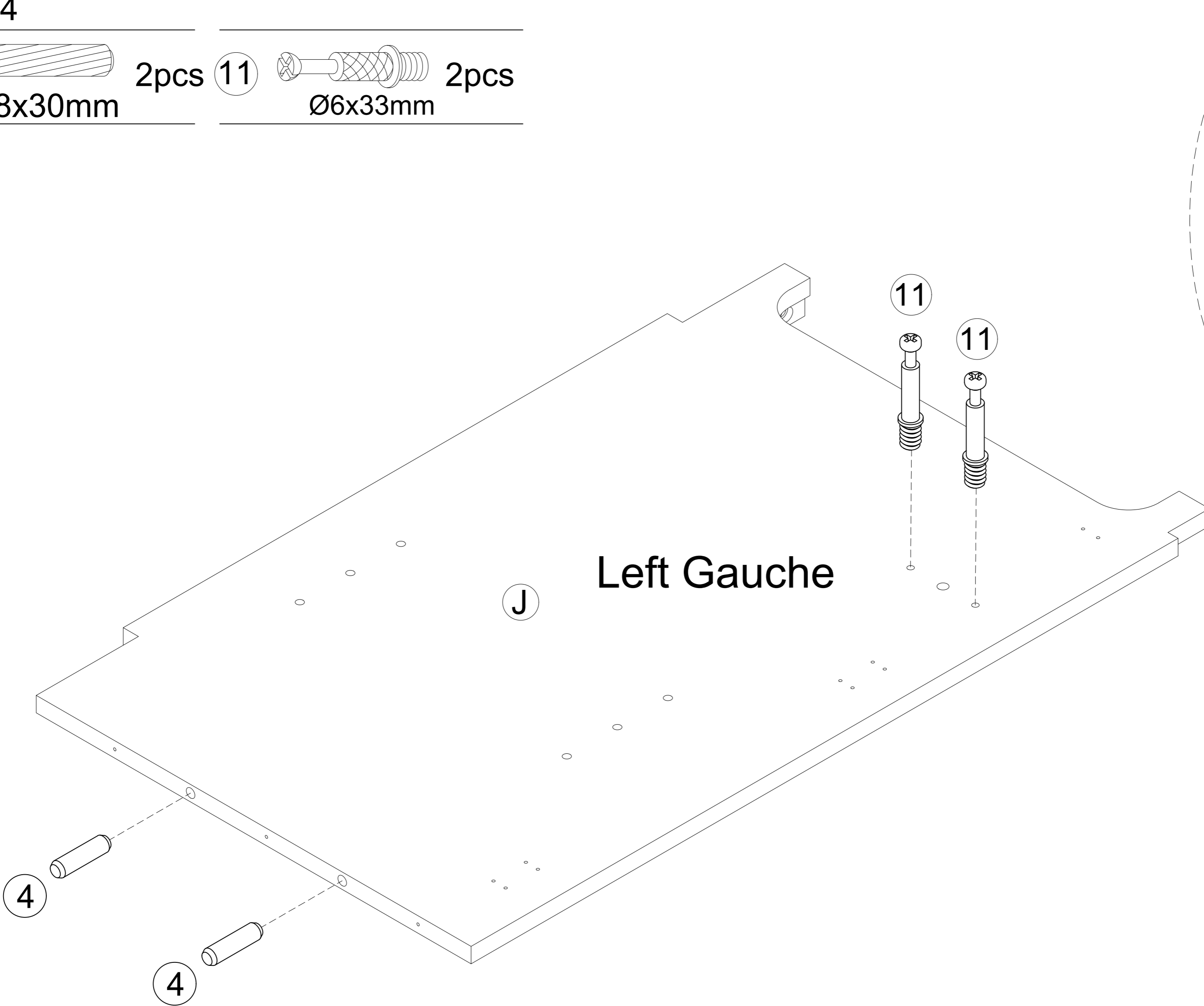
STEP 3

- 4  2pcs 11  2pcs
Ø8x30mm Ø6x33mm

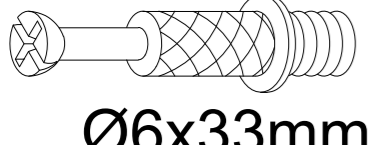


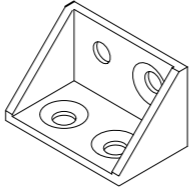
STEP 4

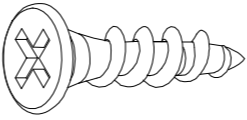
- 4  2pcs 11  2pcs
Ø8x30mm Ø6x33mm

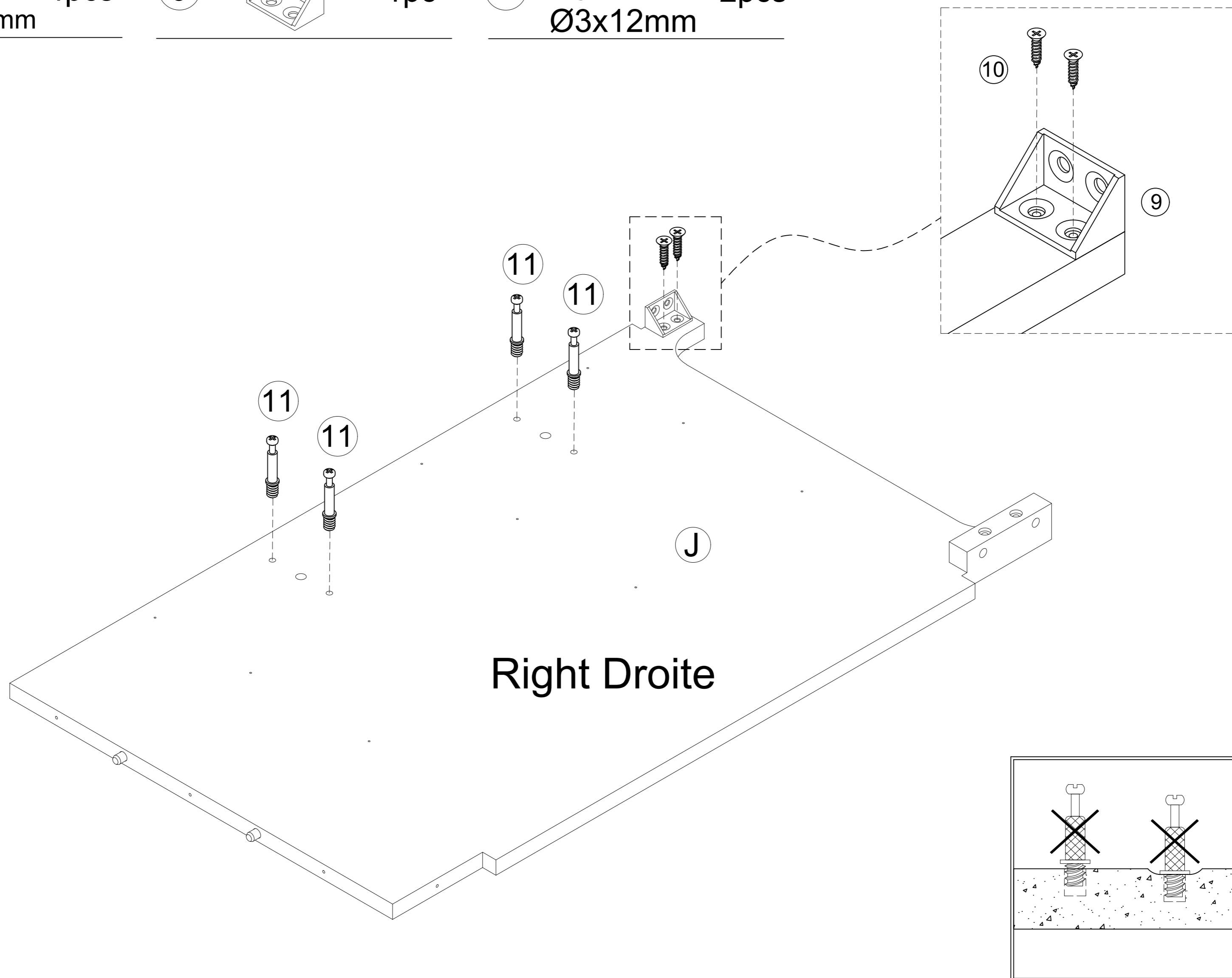


STEP 5

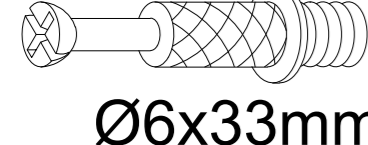
11  4pcs
Ø6x33mm


9  1pc

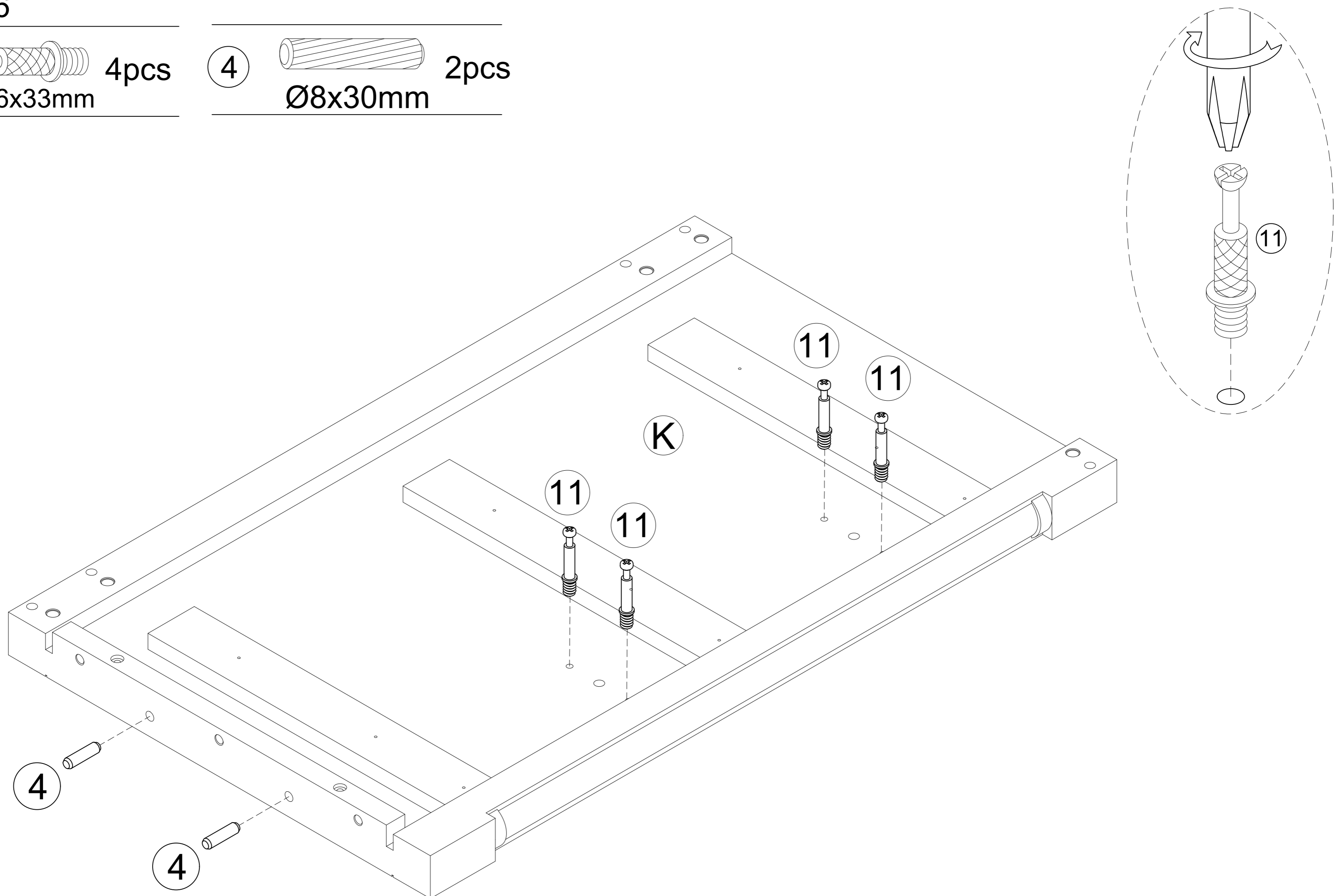
10  2pcs
Ø3x12mm



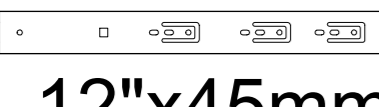
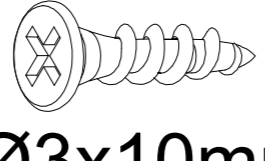
STEP 6

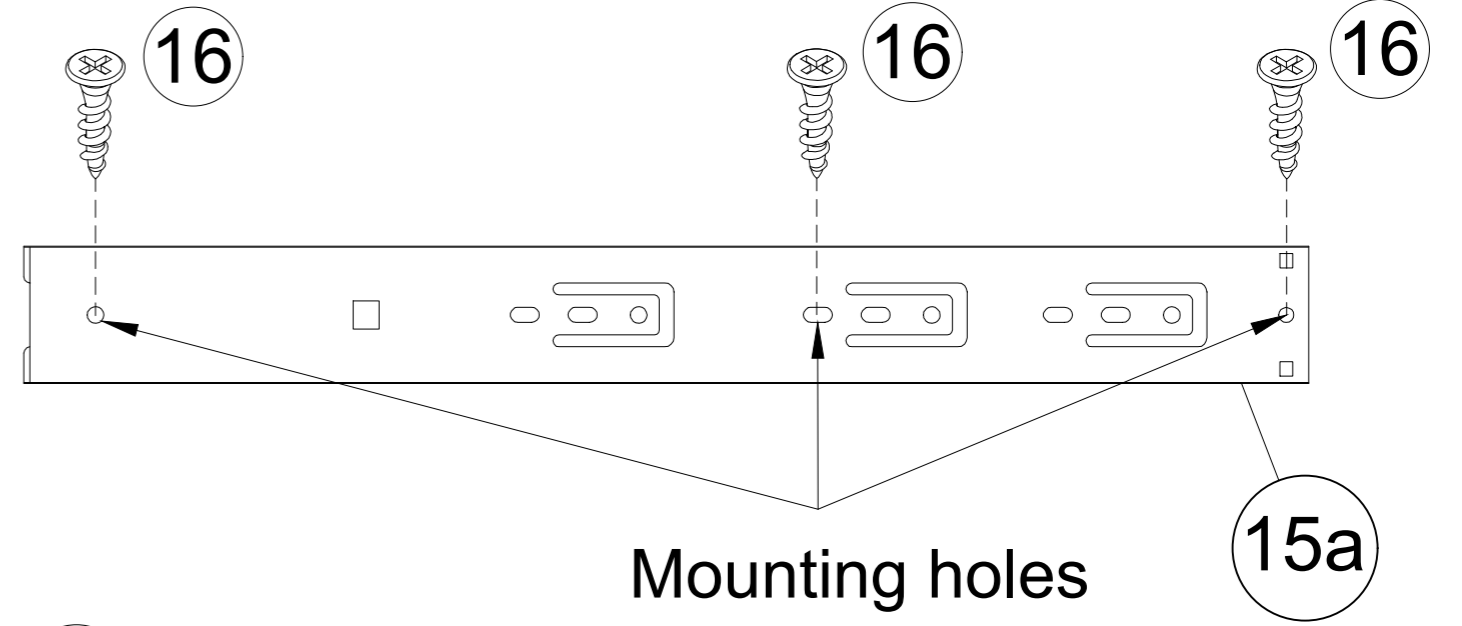
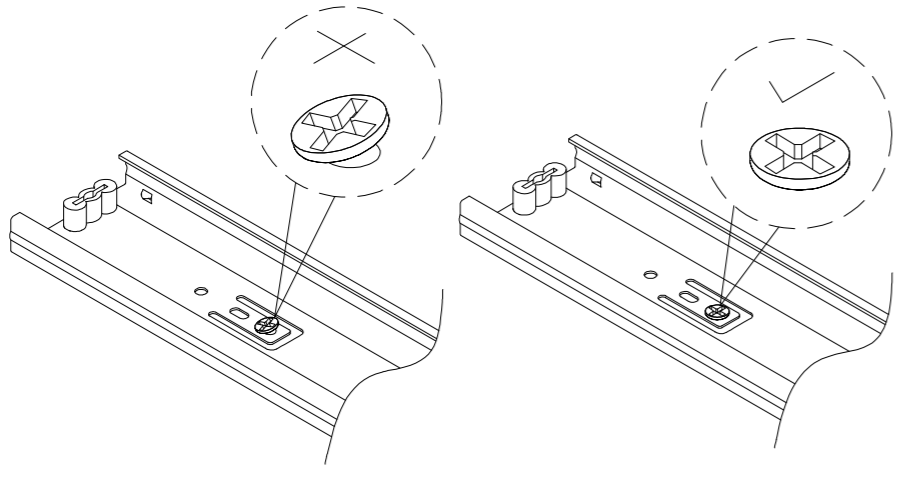
11  4pcs
Ø6x33mm

4  2pcs
Ø8x30mm

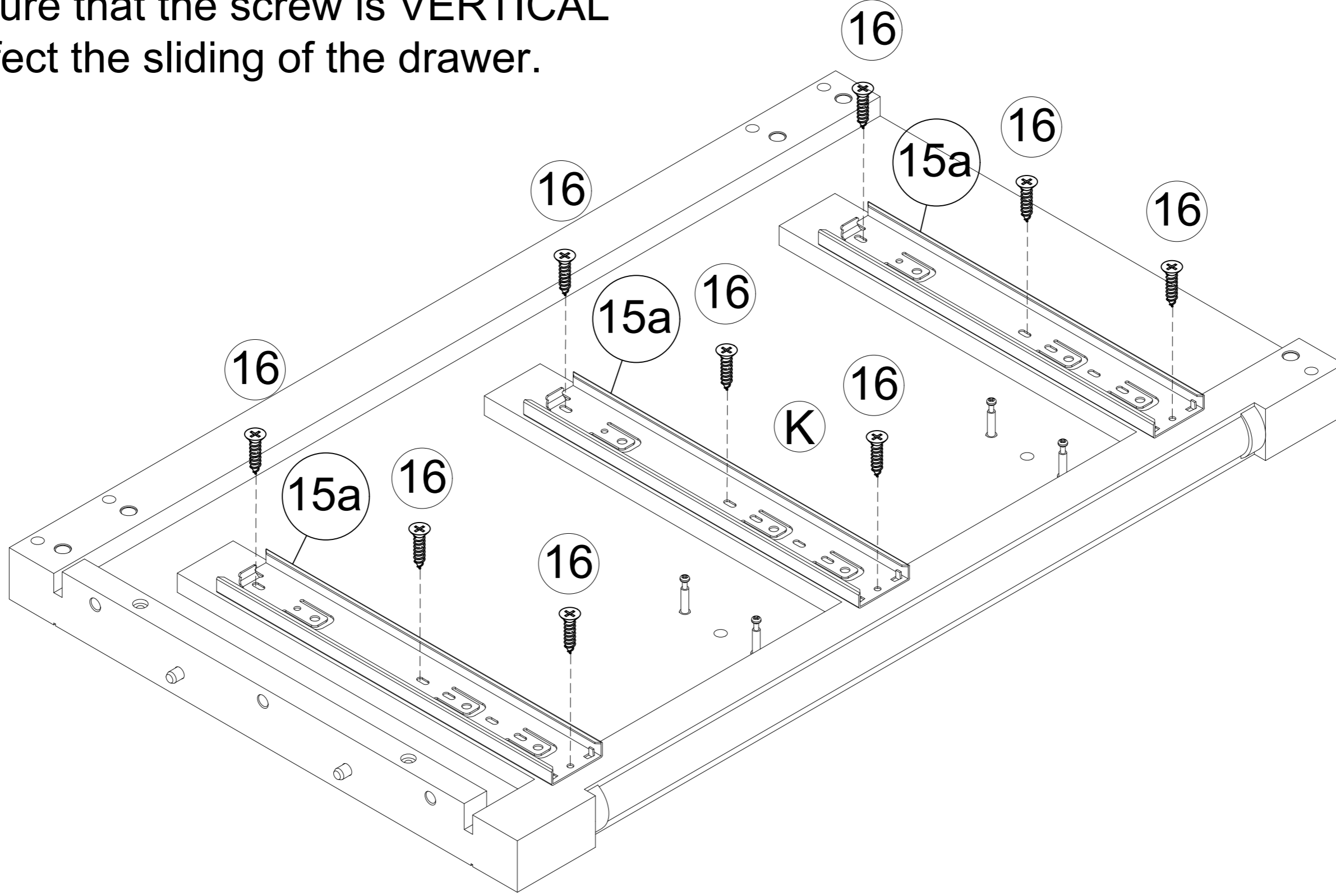


STEP 9

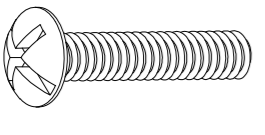
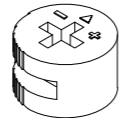
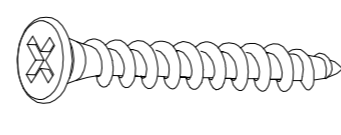
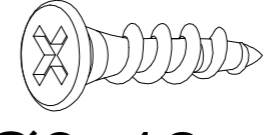
- 15a  3pcs 16  9pcs
12"x45mm Ø3x10mm

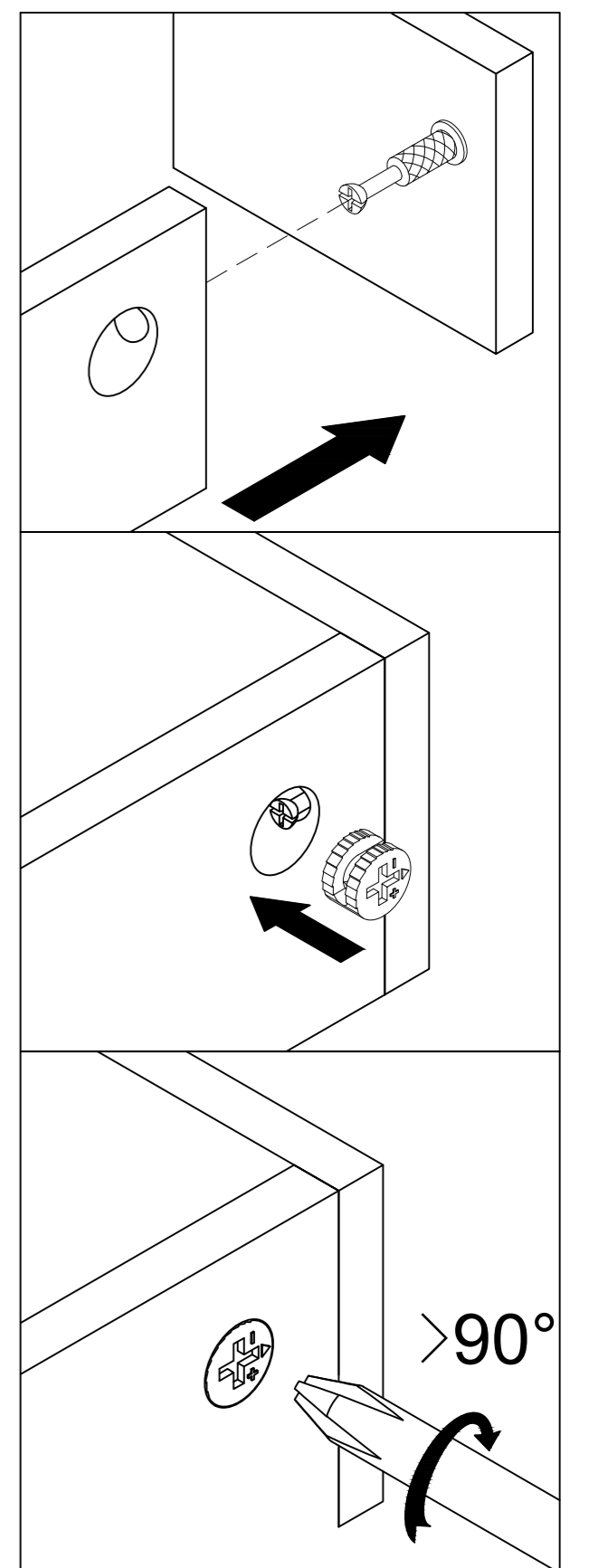
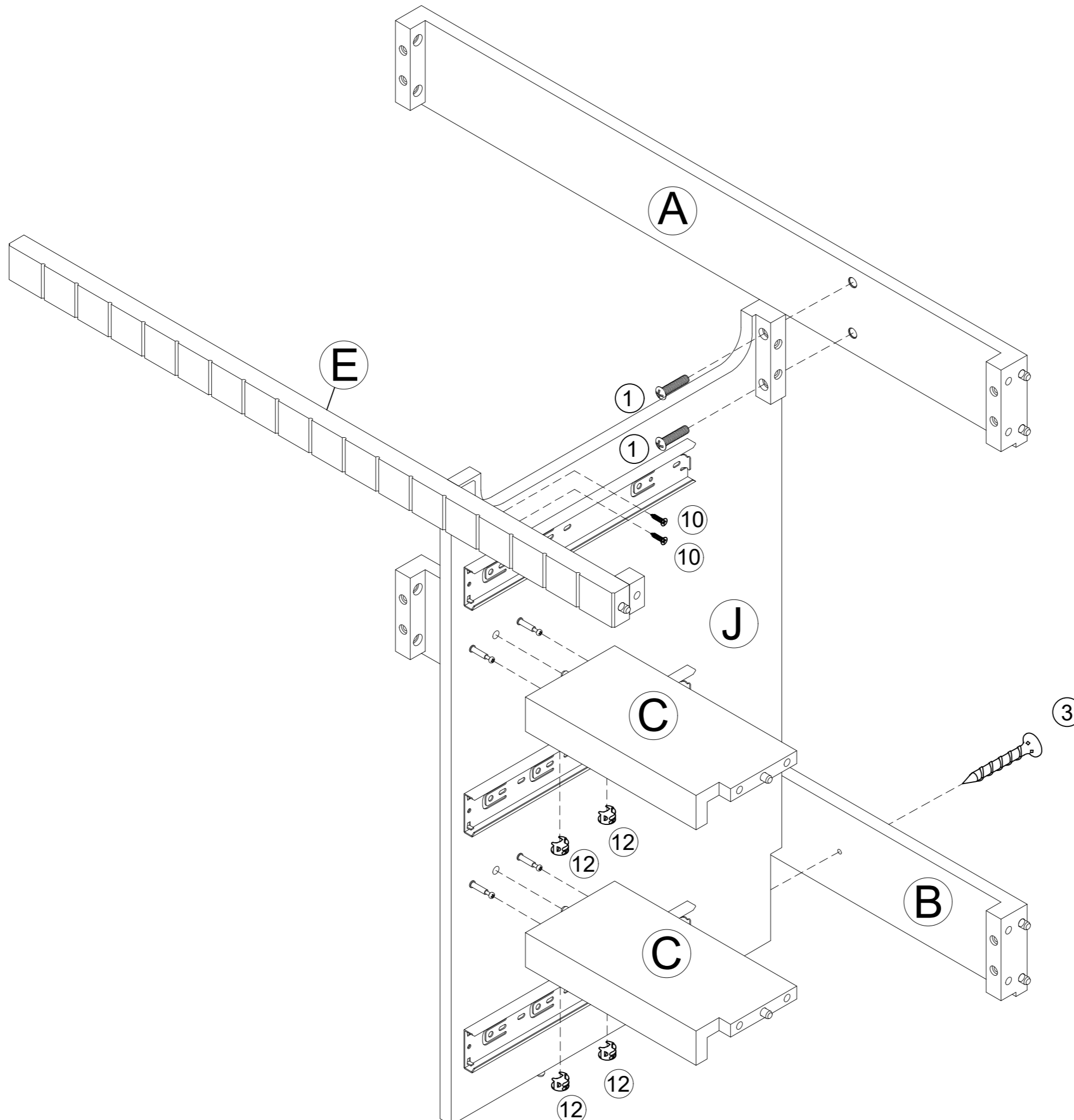


Please make sure that the screw is VERTICAL so as not to affect the sliding of the drawer.

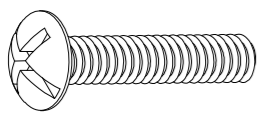



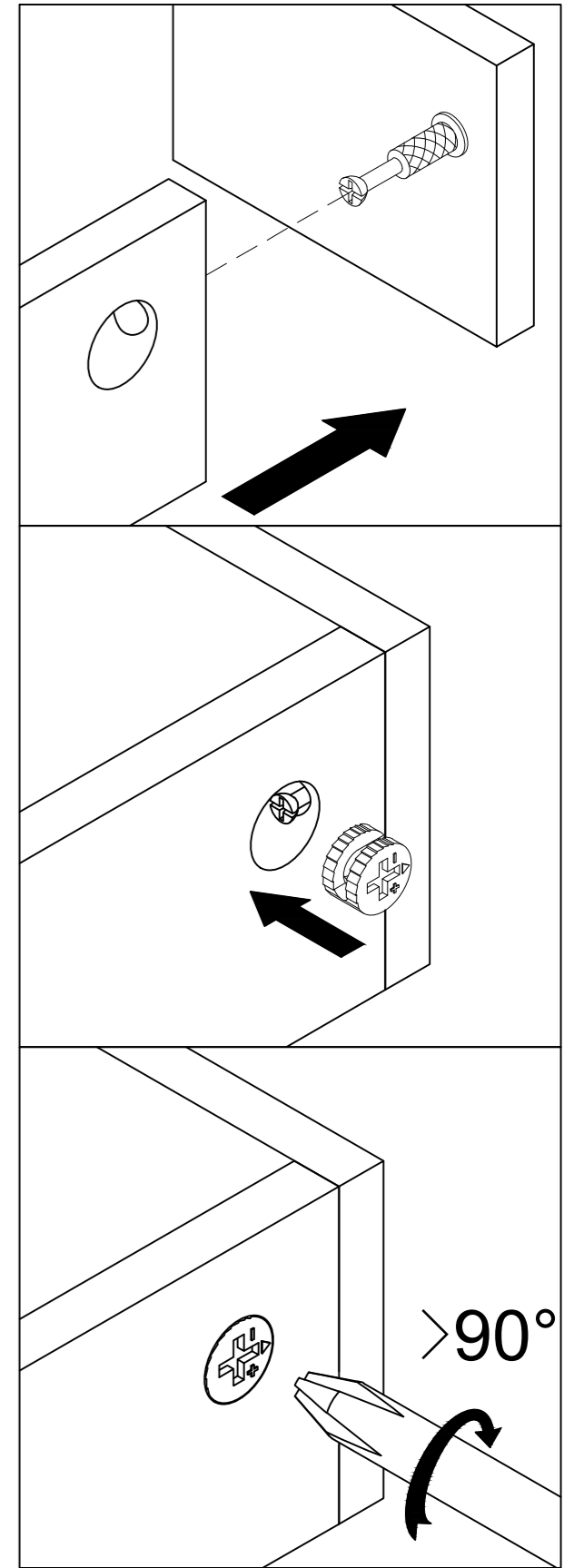
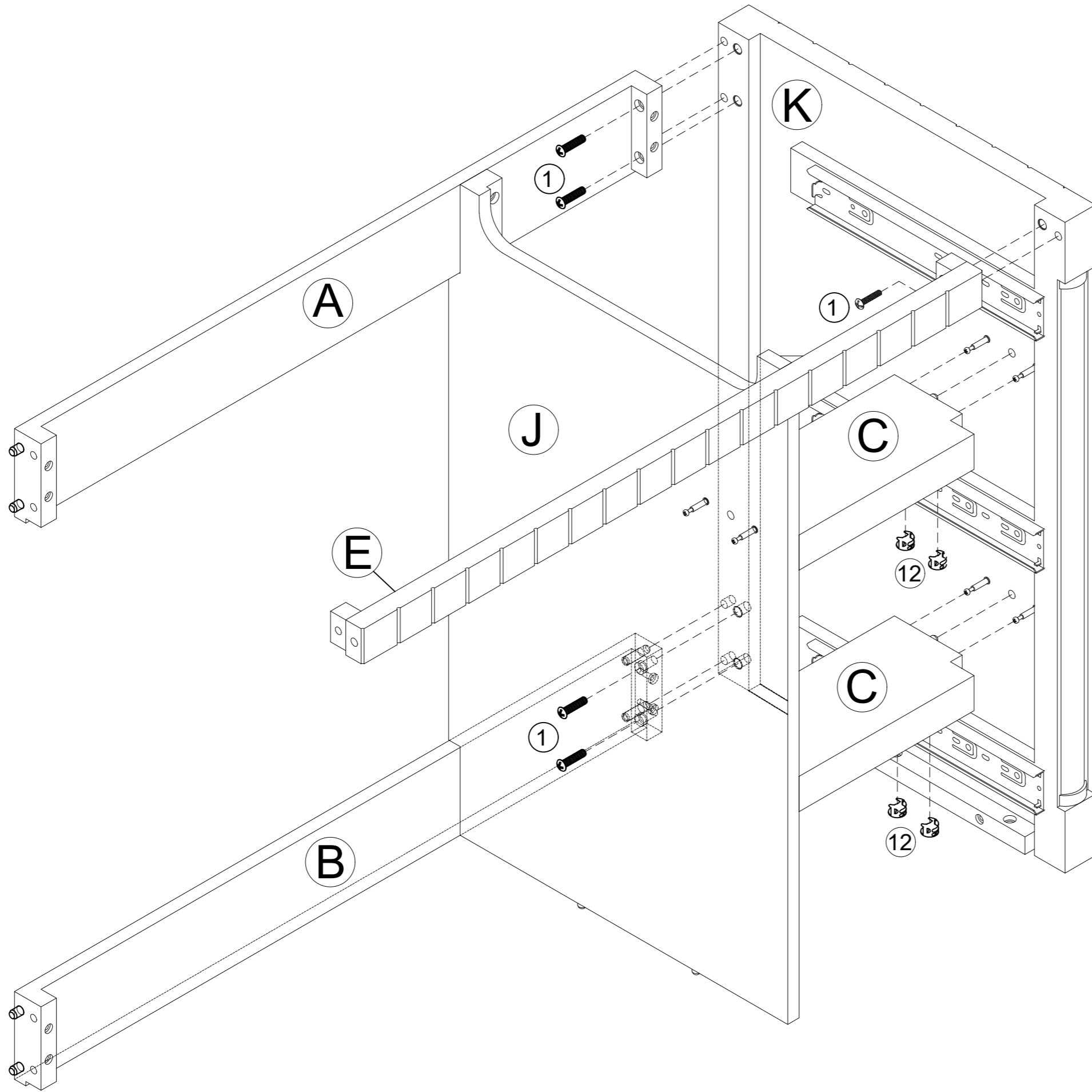
STEP 10

- 1  2pcs 12  4pcs 3  1pc 10  2pcs
1/4"x25mm Ø15x9mm Ø4x35mm Ø3x12mm




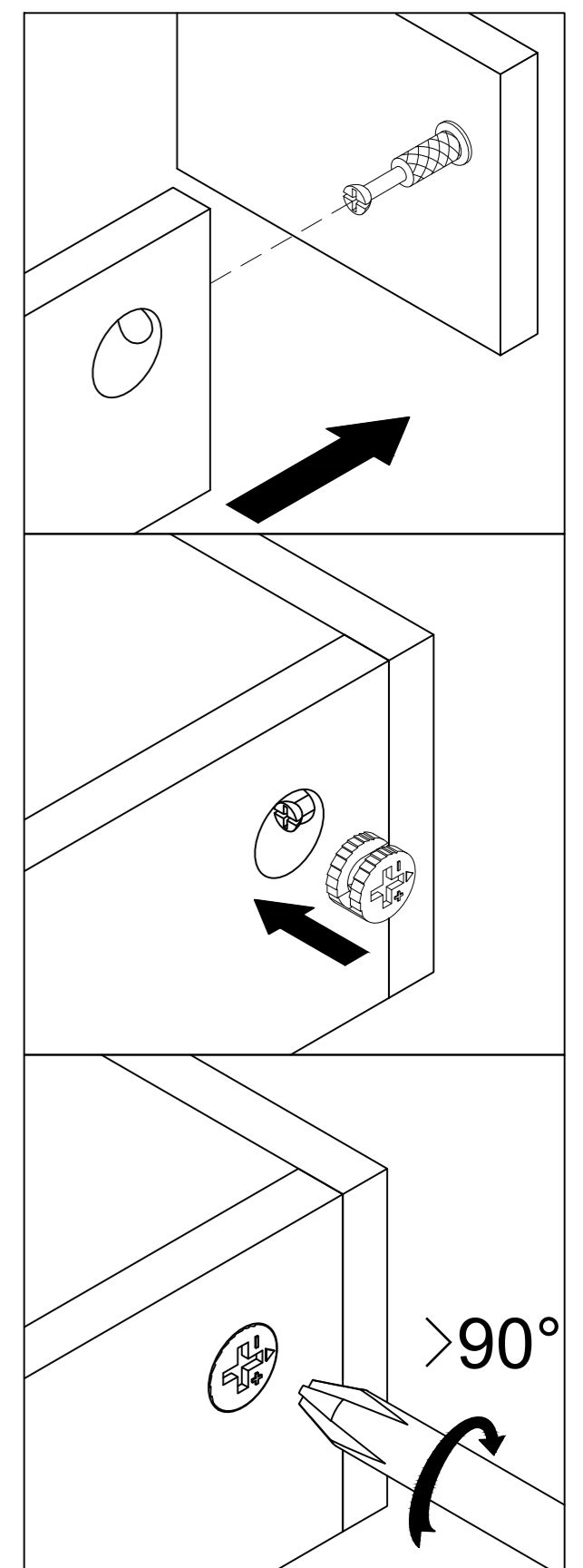
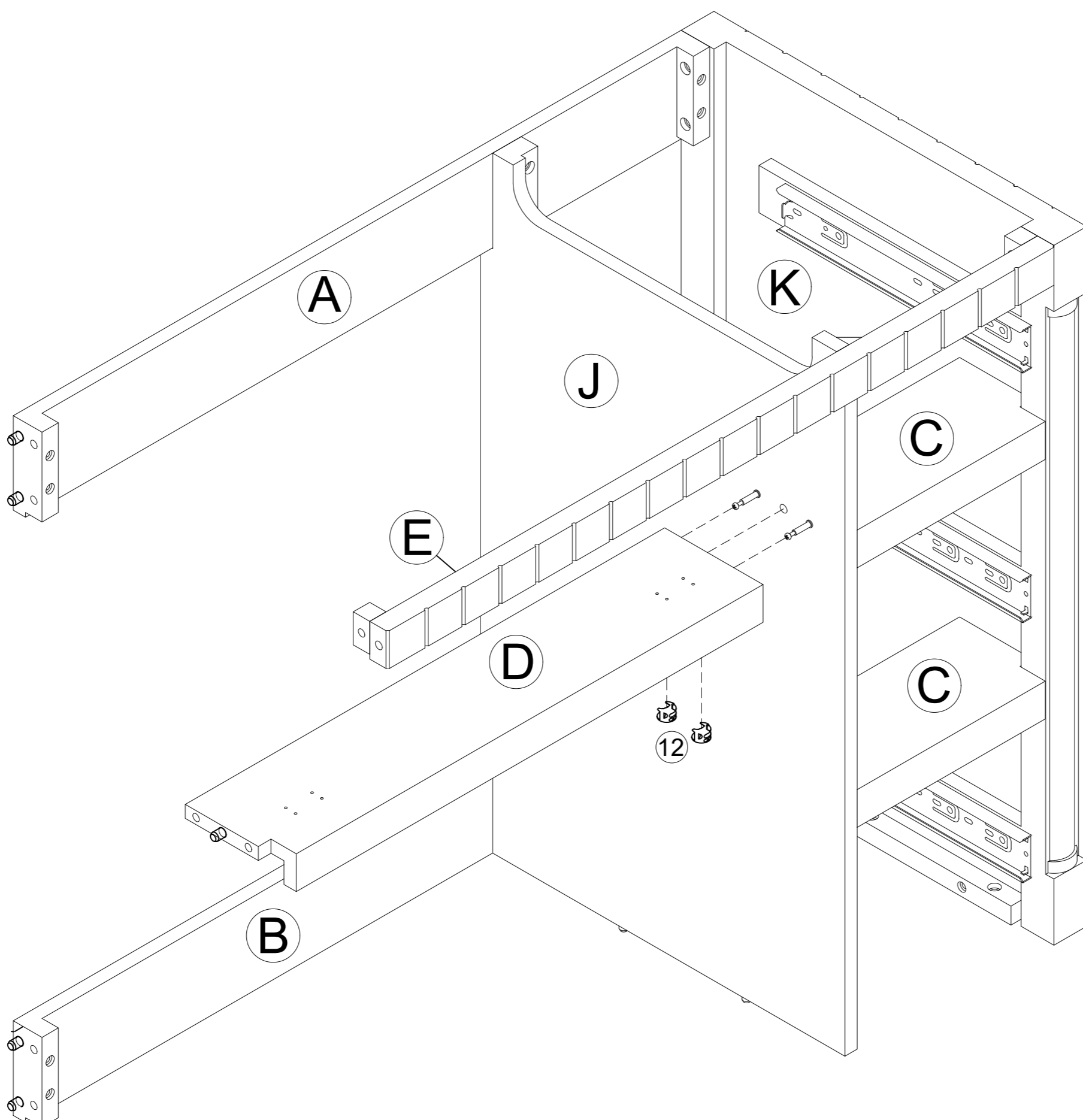
STEP 11

- ①  5pcs 1/4"x25mm
⑫  4pcs Ø15x9mm

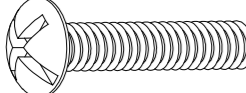
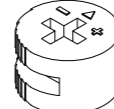


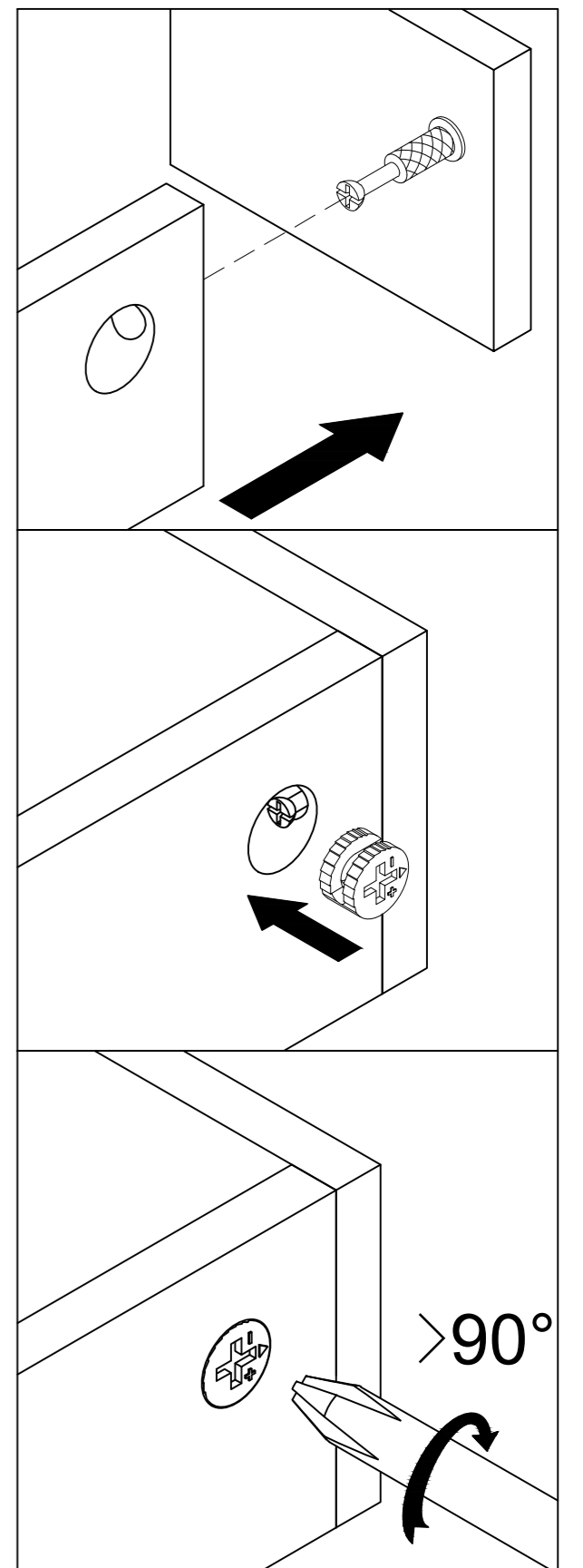
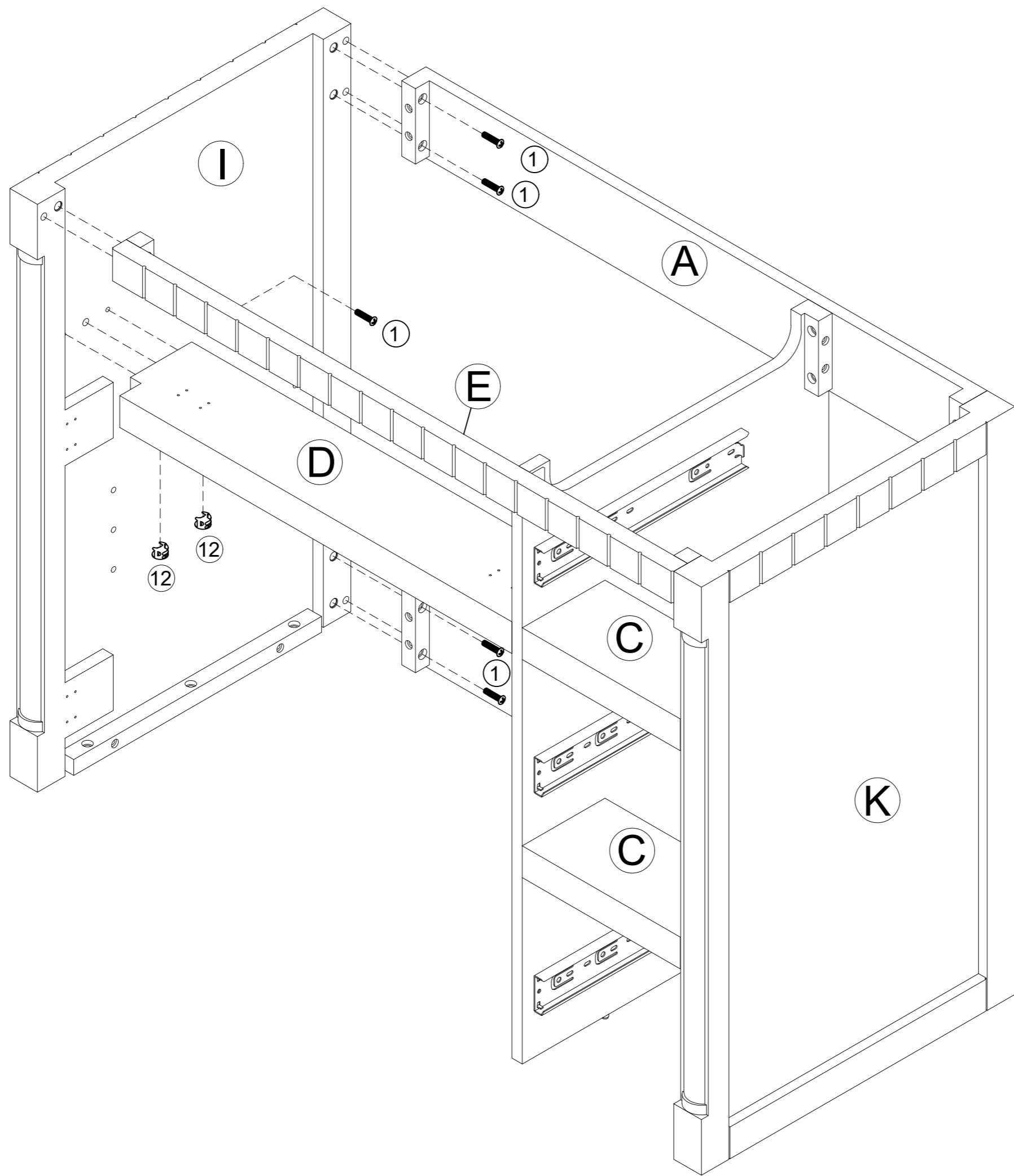
STEP 12

- ⑫  2pcs Ø15x9mm

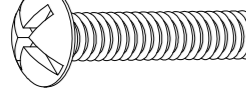



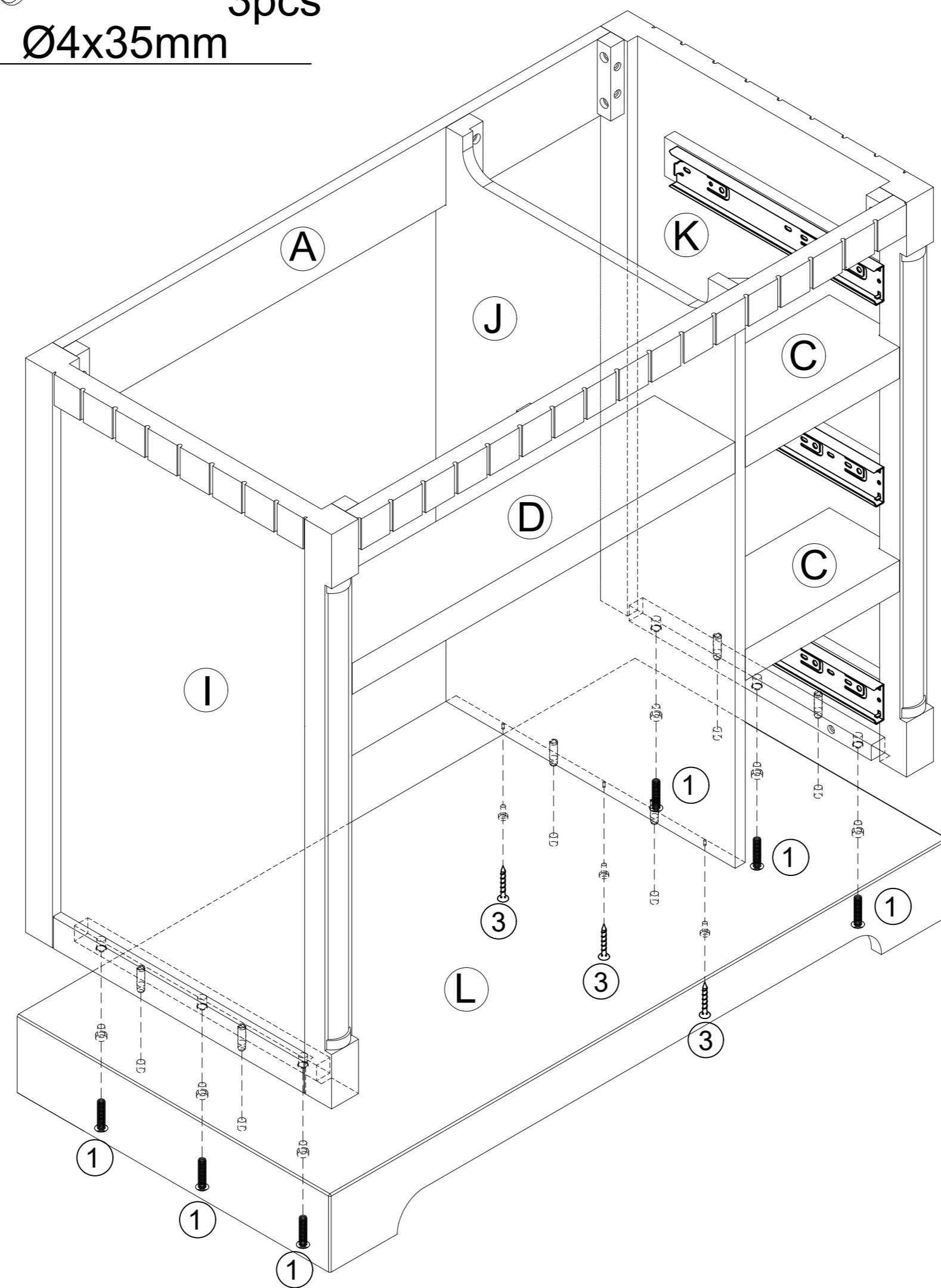
STEP 13

- ①  5pcs 1/4"x25mm
⑫  2pcs Ø15x9mm

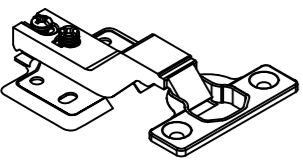
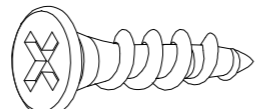
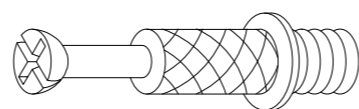


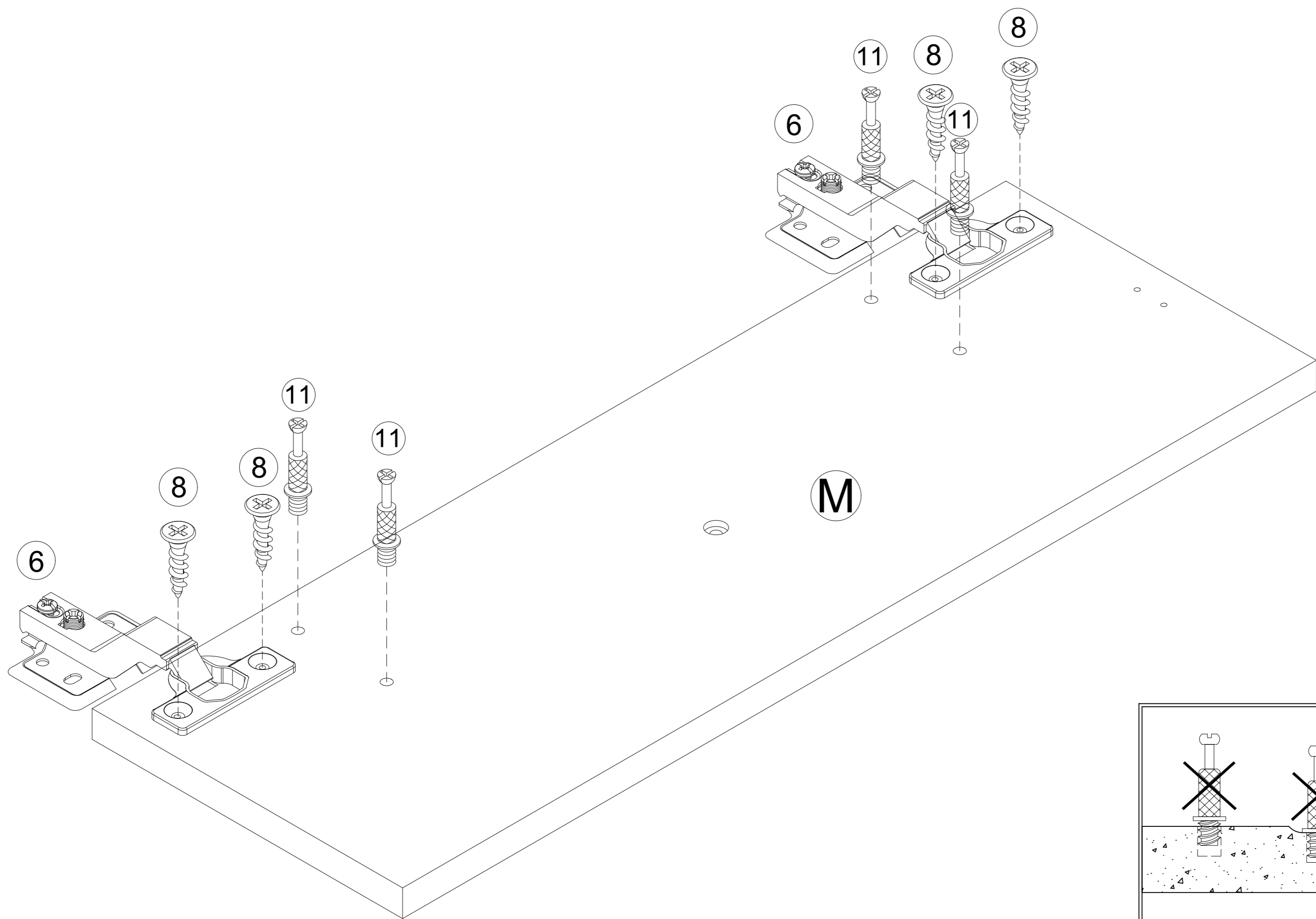
STEP 14

- ①  6pcs 1/4"x25mm
③  3pcs Ø4x35mm



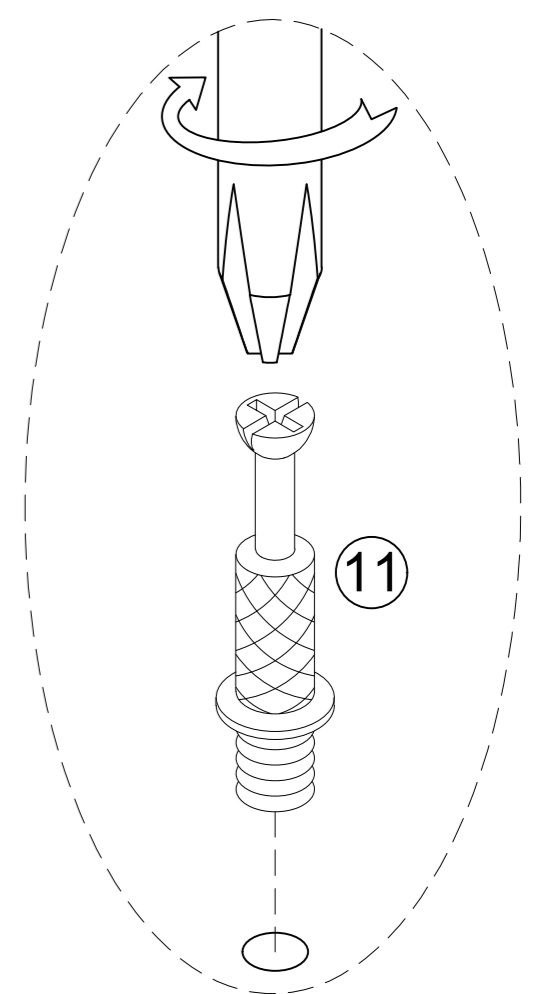
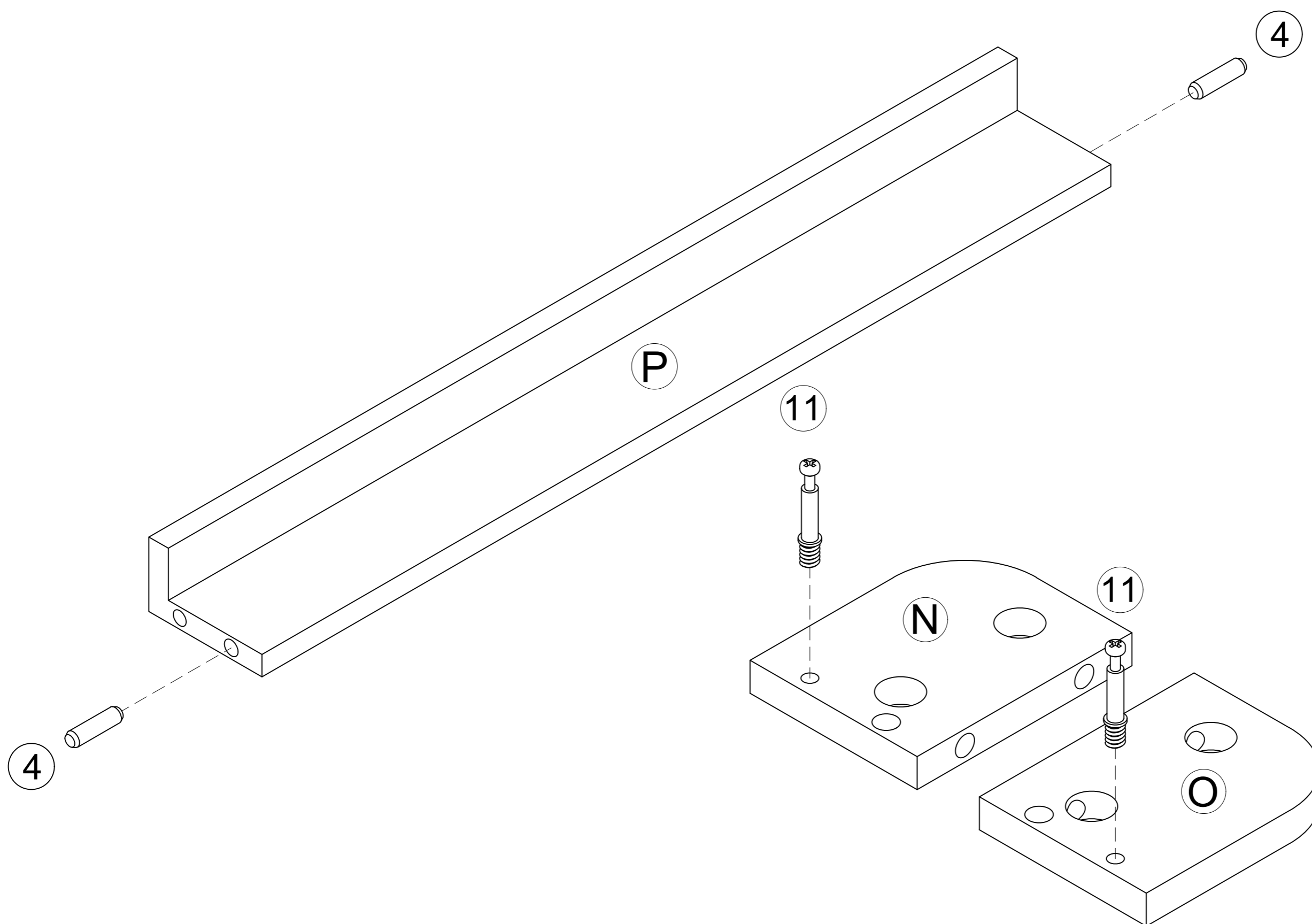
STEP 15

- ⑥  2pcs ⑧  Ø4x12mm 4pcs ⑪  Ø6x33mm 4pcs

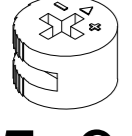


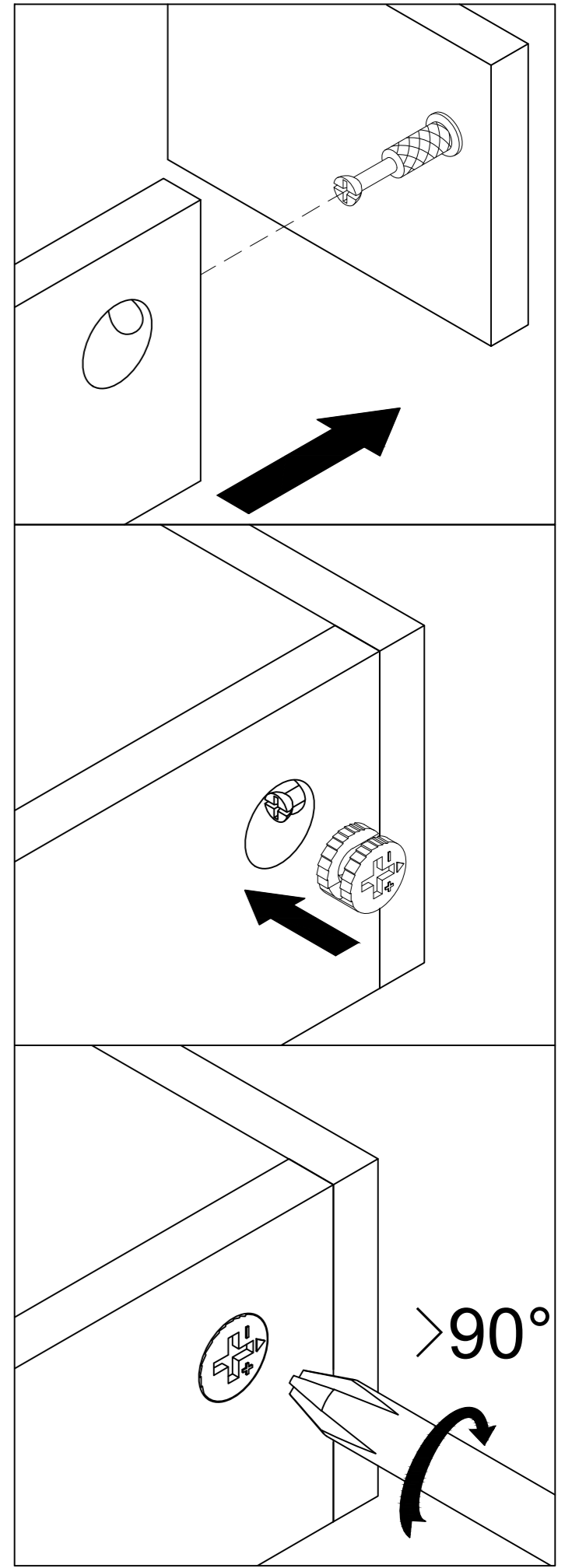
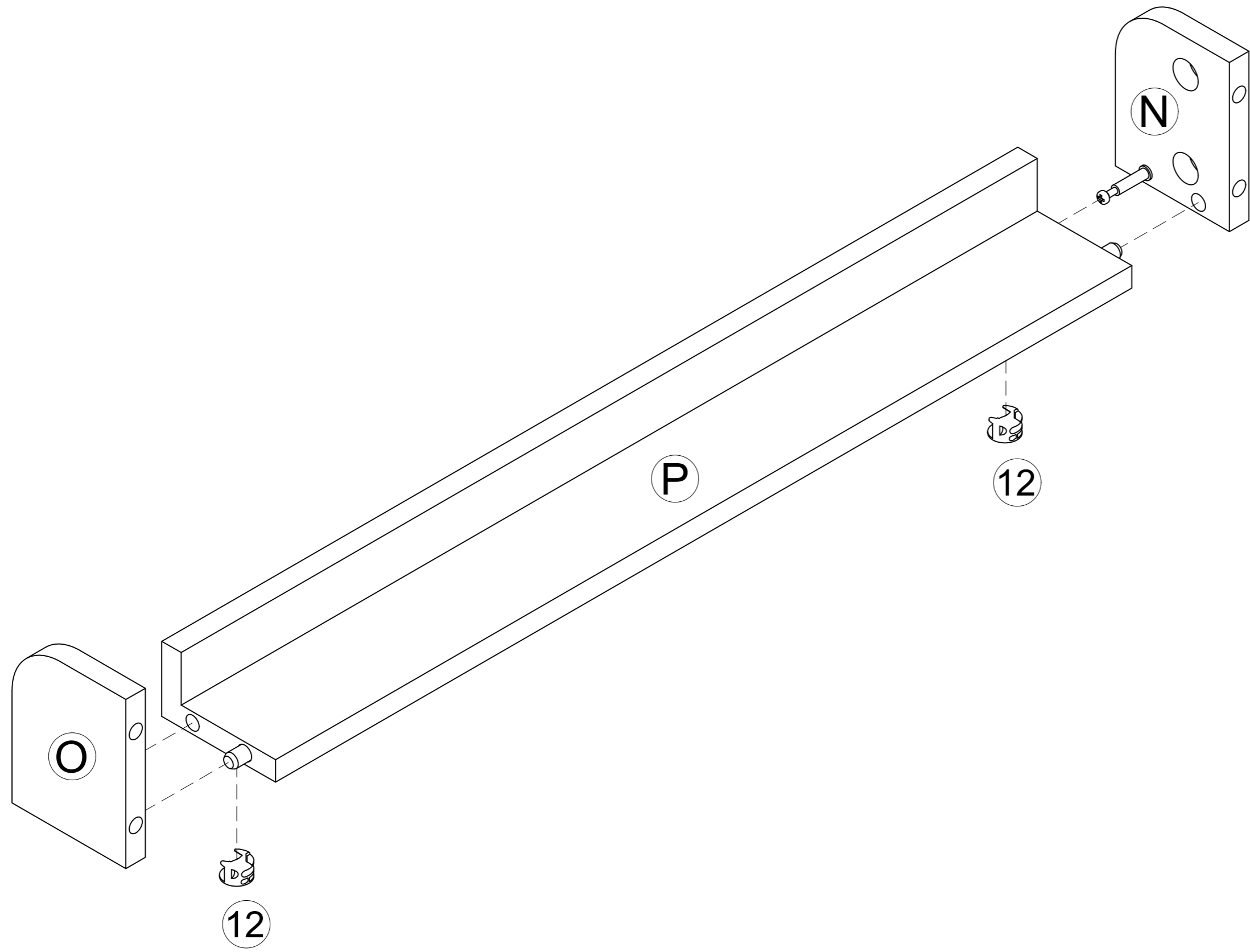
STEP 16

- ⑪  Ø6x33mm 2pcs ④  Ø8x30mm 2pcs

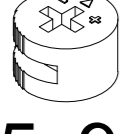


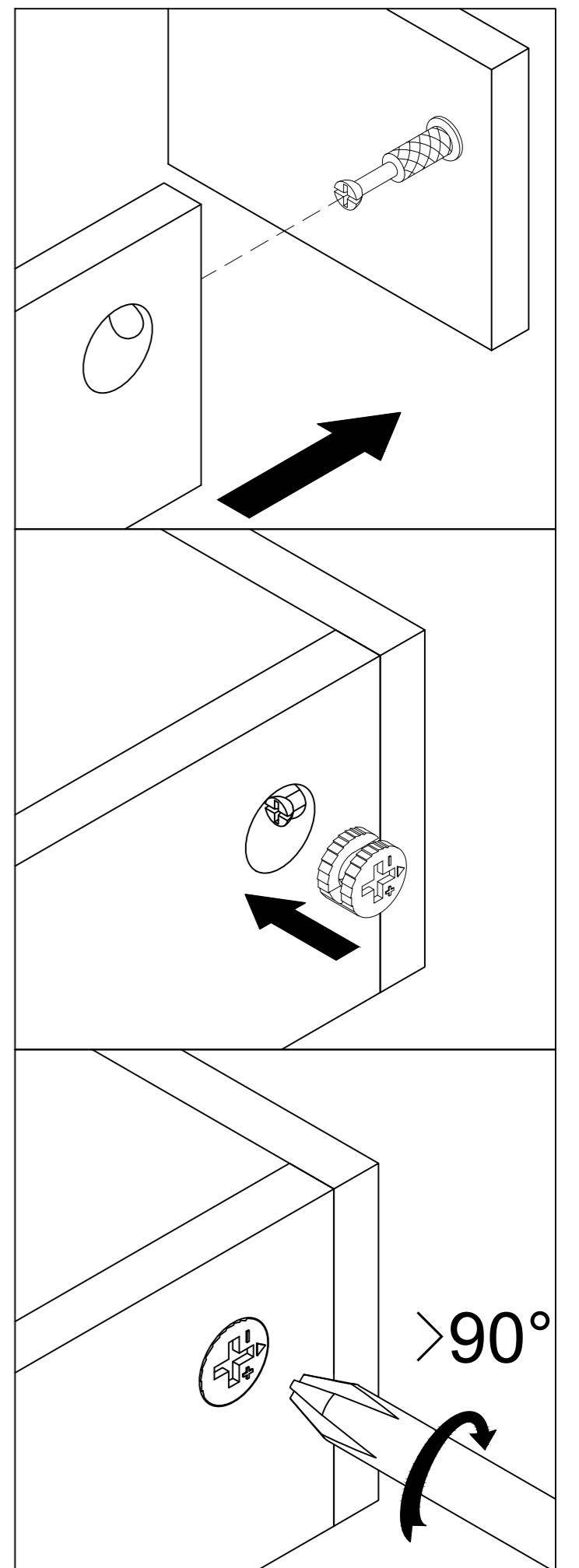
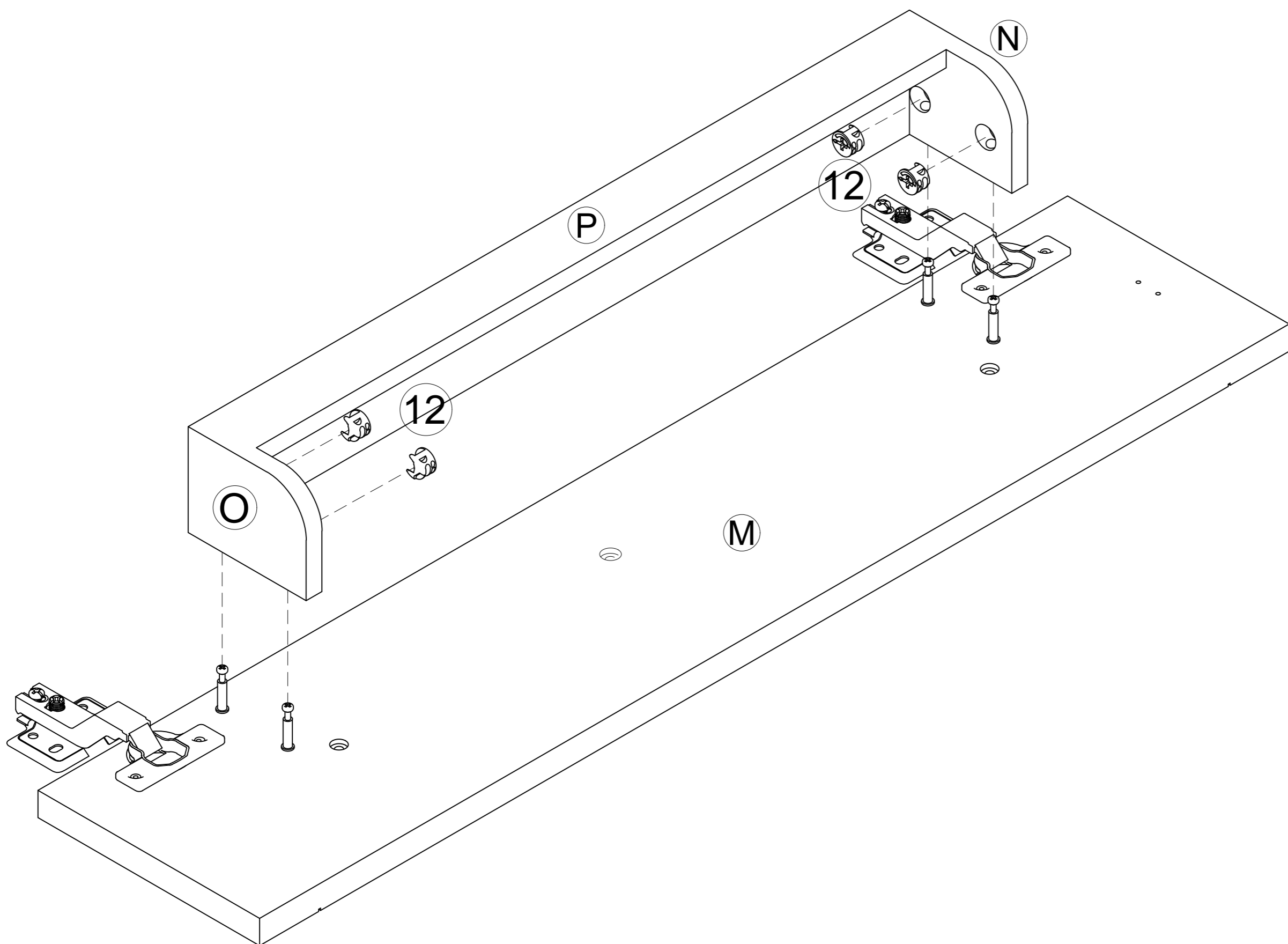
STEP 17

12  2pcs
Ø15x9mm

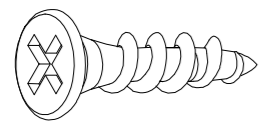
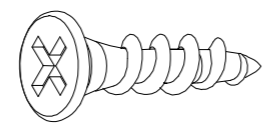
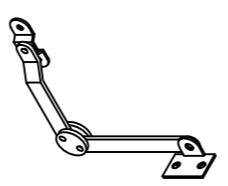


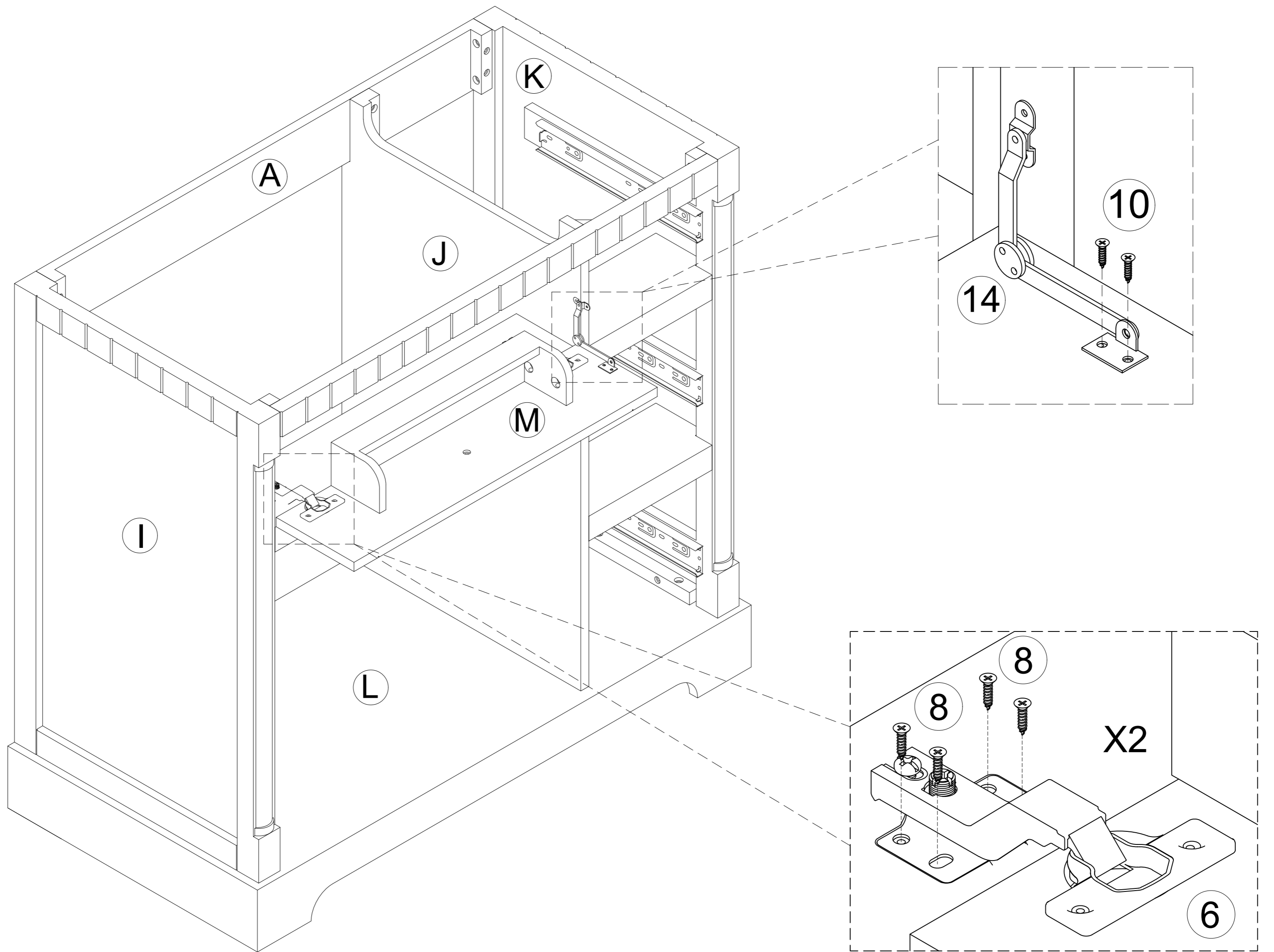
STEP 18

12  4pcs
Ø15x9mm

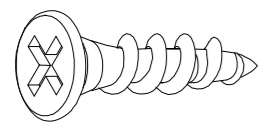
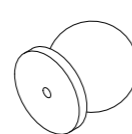
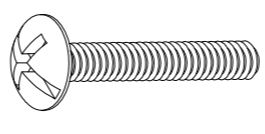


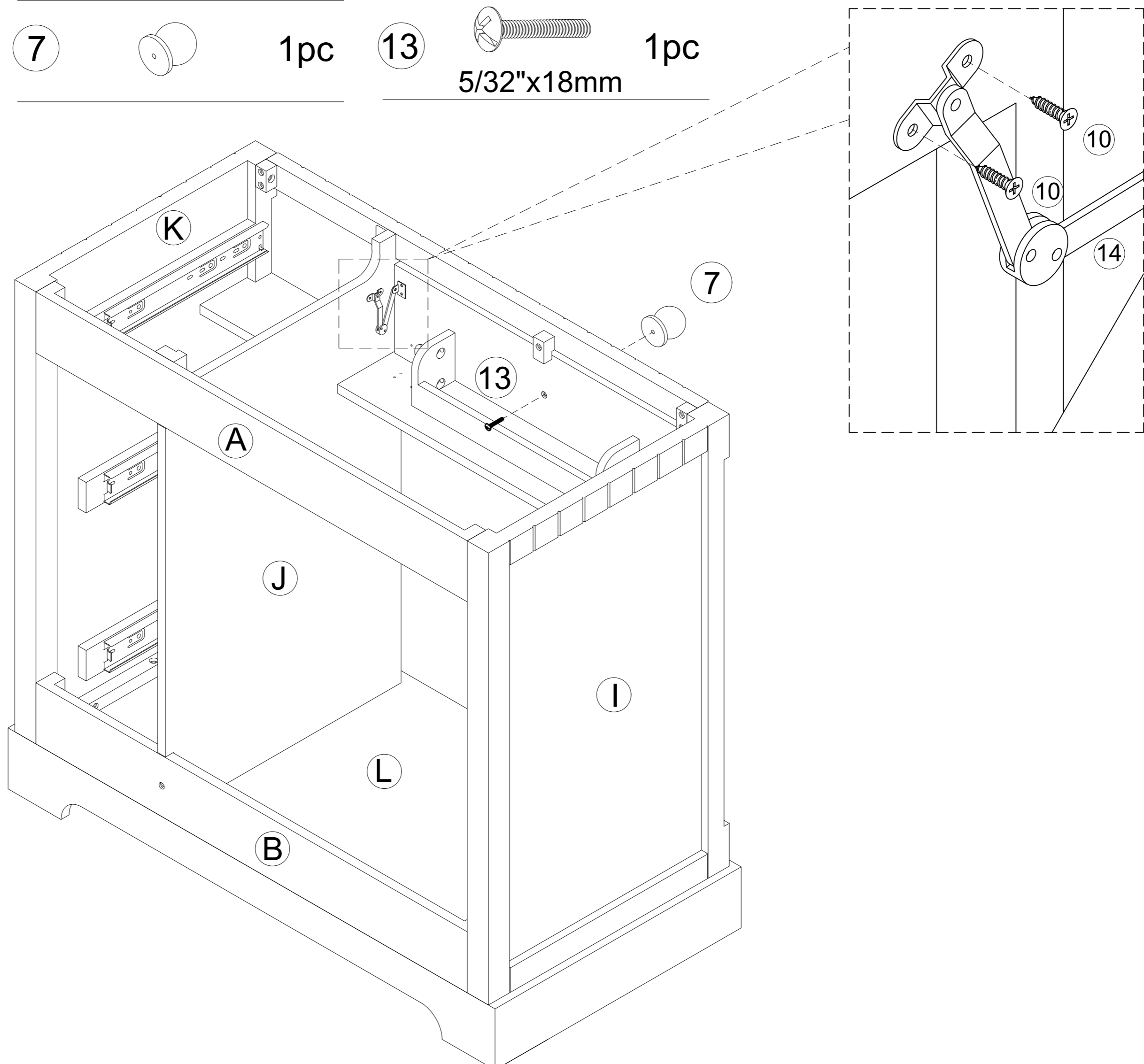
STEP 19

- 8  8pcs Ø4x12mm 10  2pcs Ø3x12mm 14  1pc

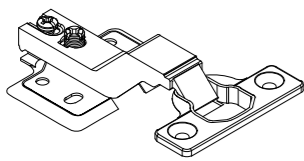



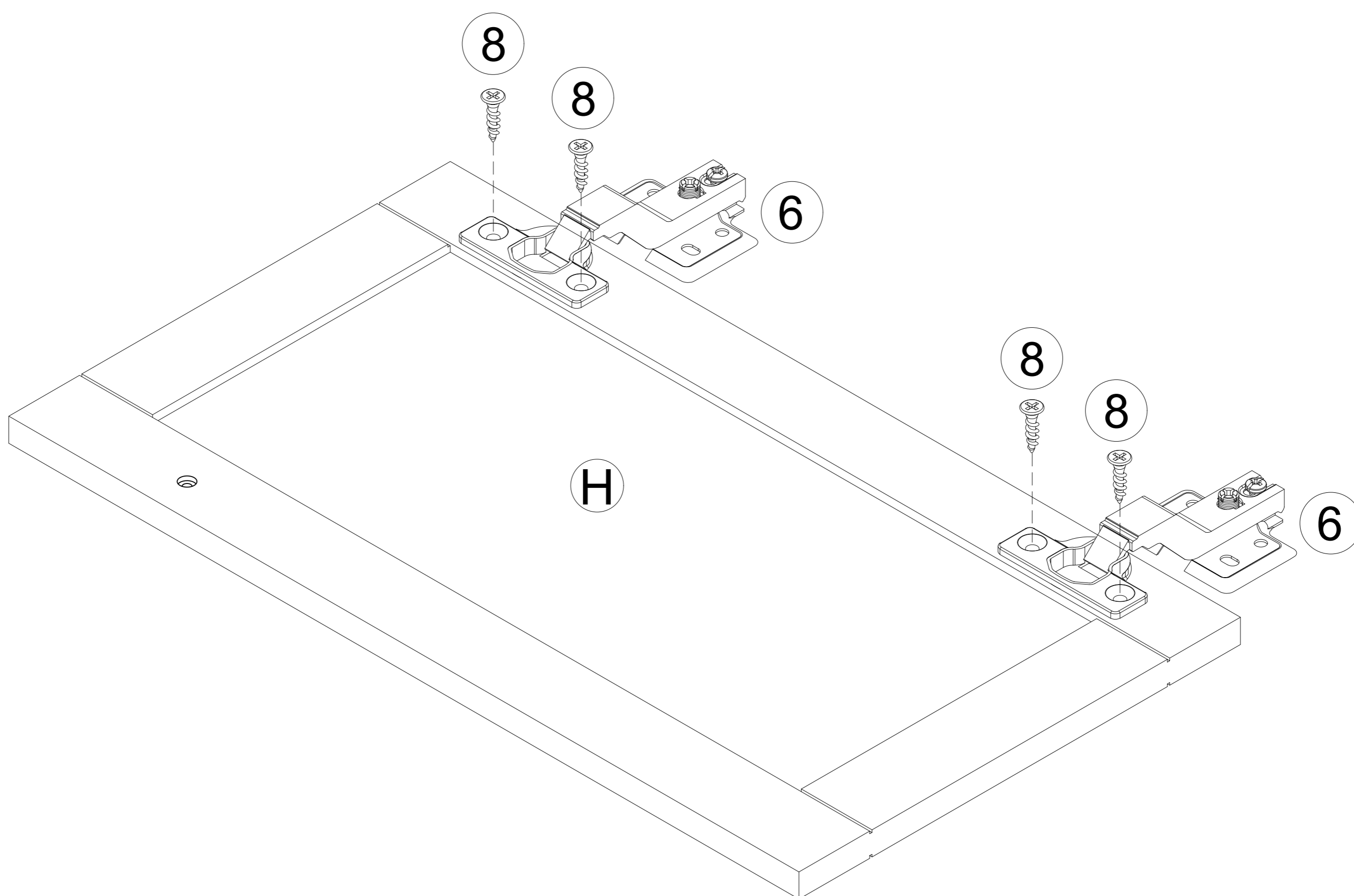
STEP 20

- 10  2pcs Ø3x12mm 7  1pc 13  1pc 5/32"x18mm




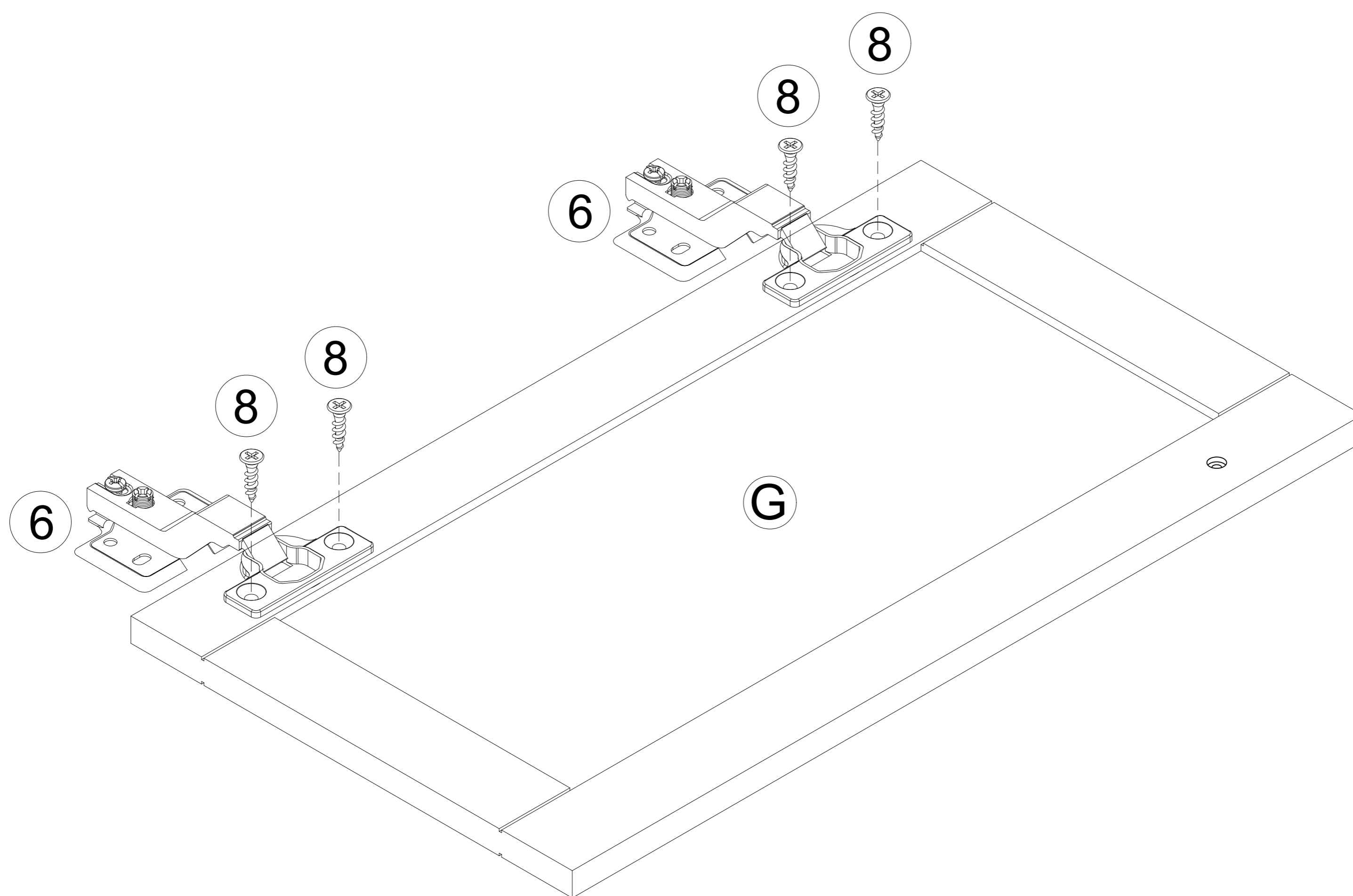
STEP 21

- 6  2pcs 8  4pcs
Ø4x12mm



STEP 22

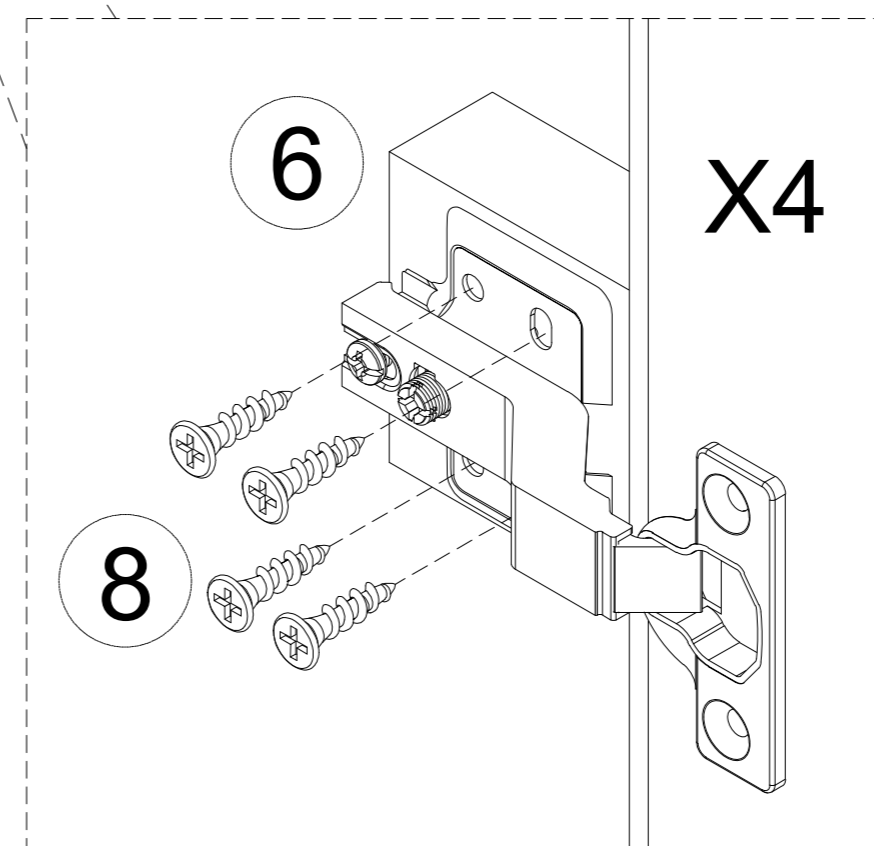
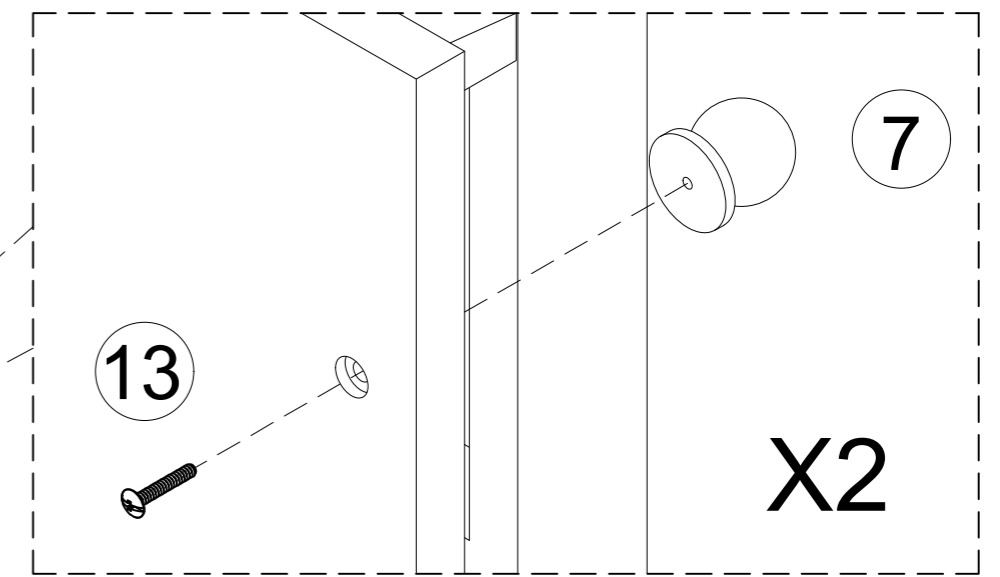
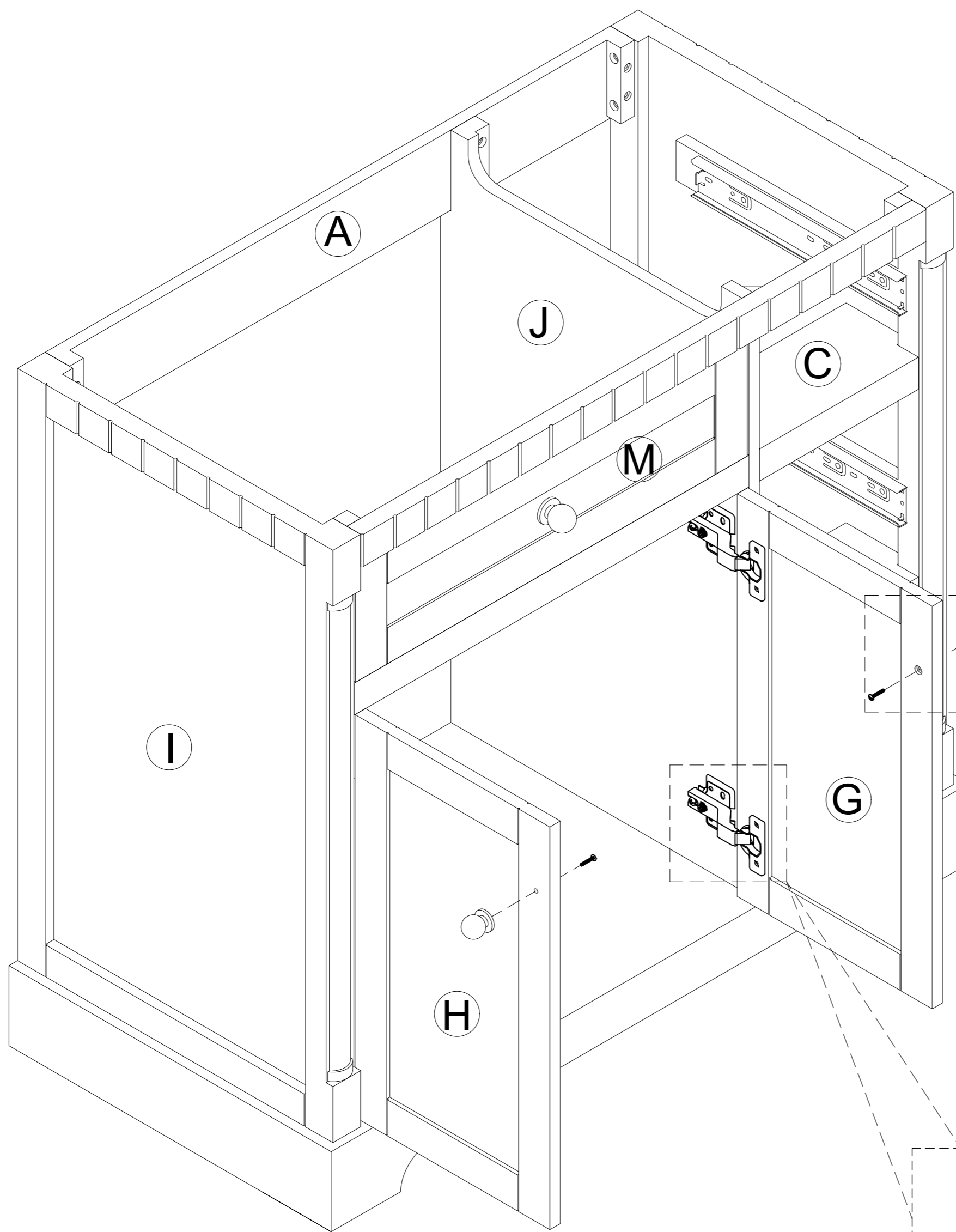
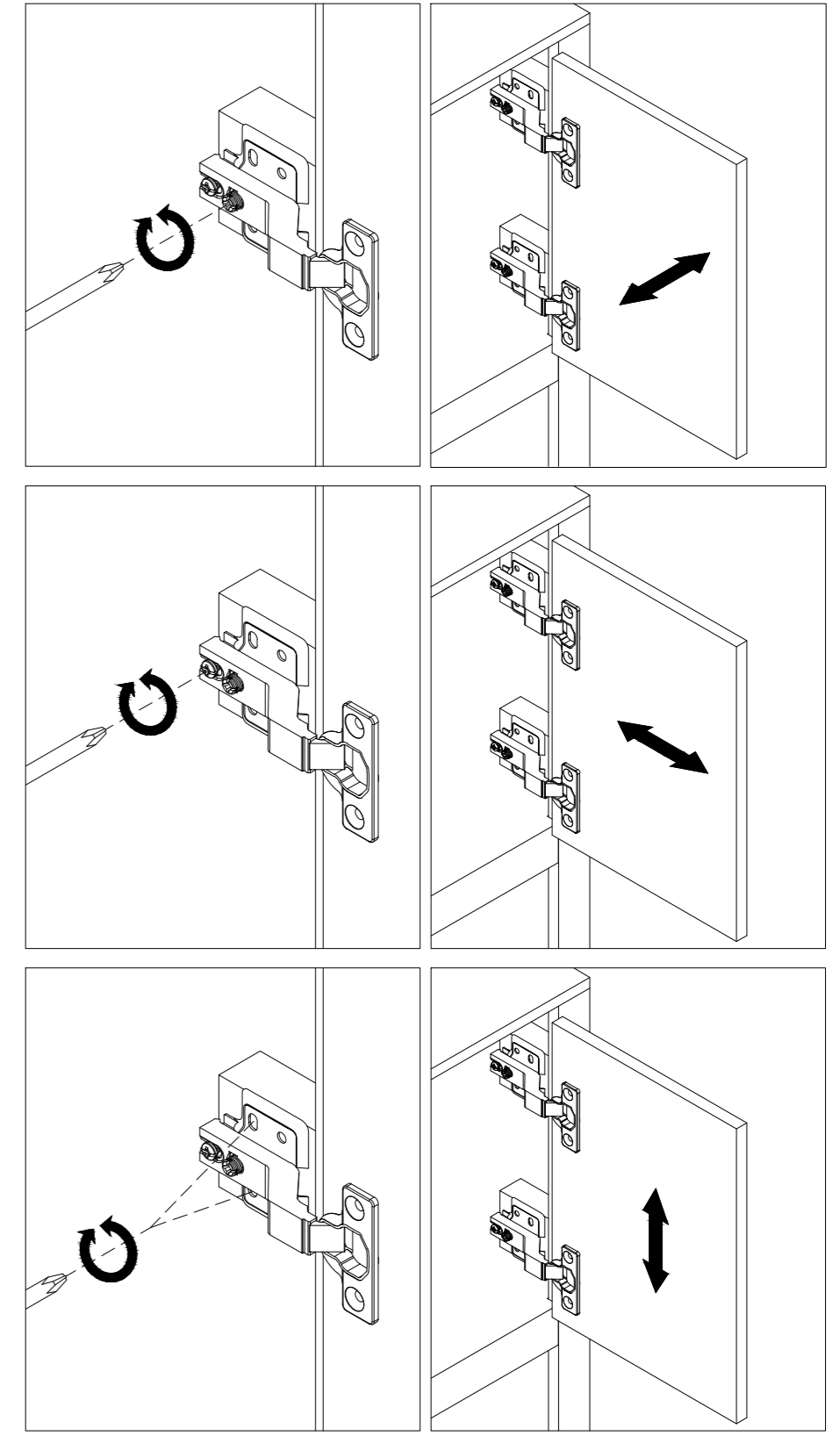
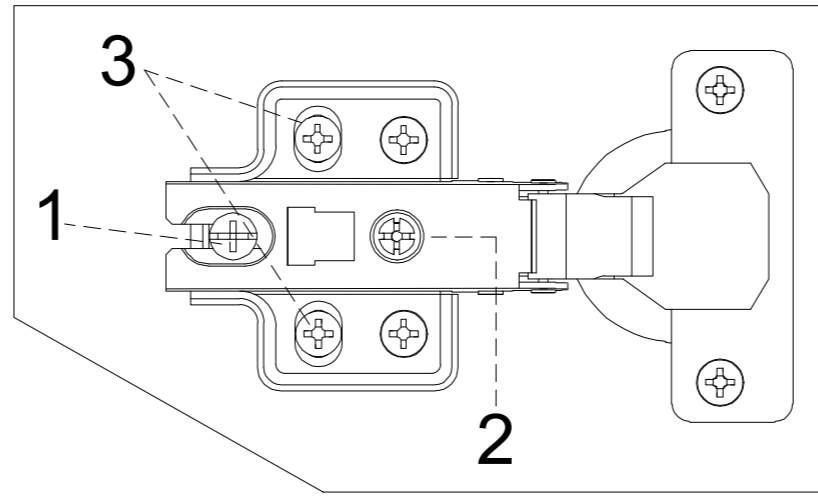
- 6  2pcs 8  4pcs
Ø4x12mm



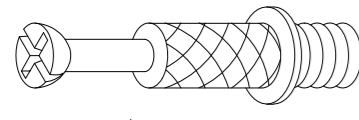
STEP 23

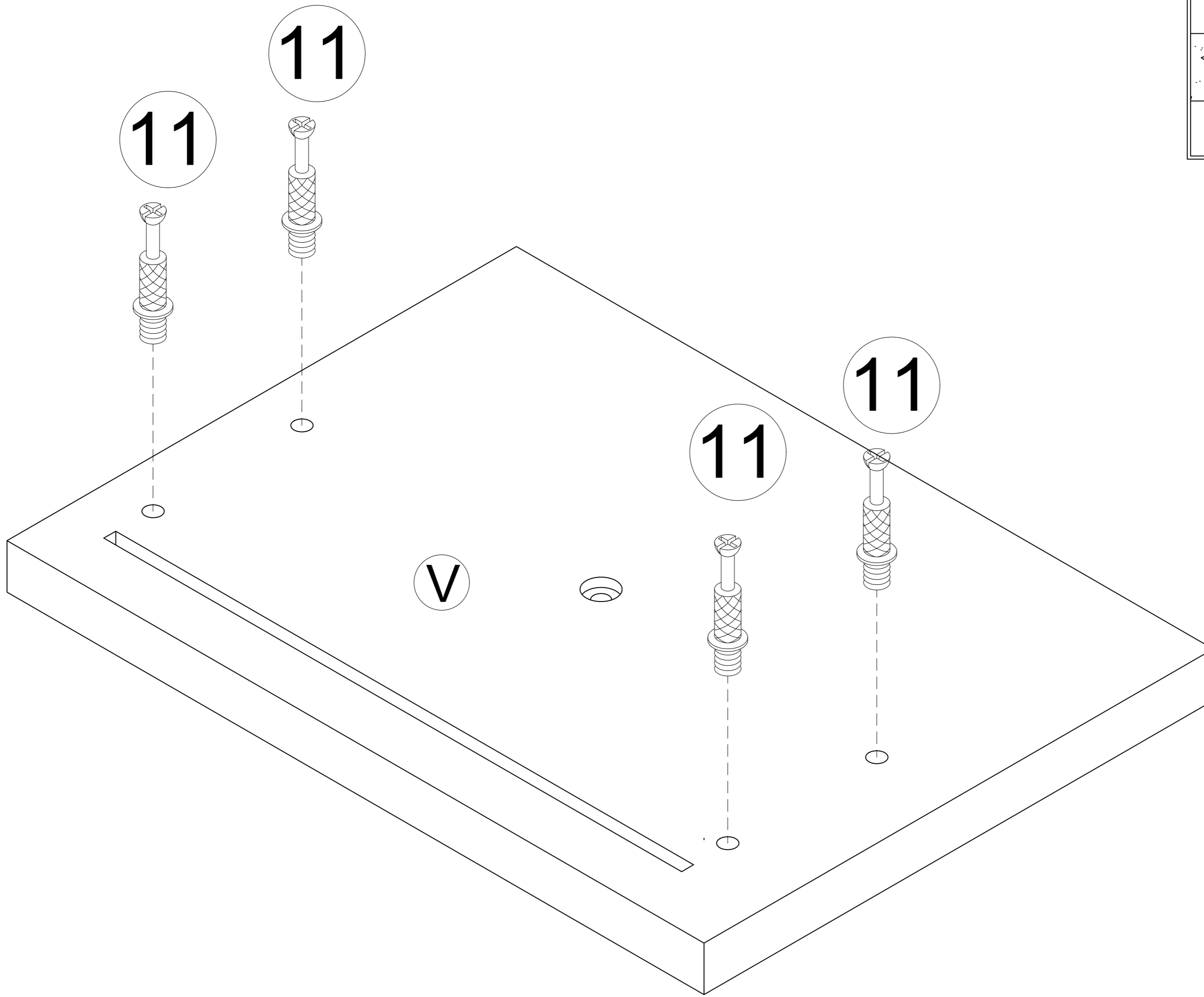
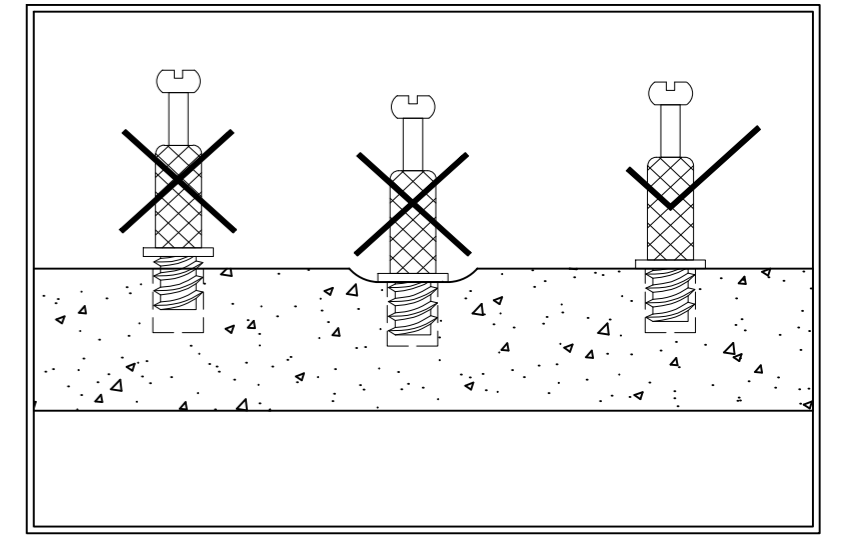
- 8
16pcs
 - 7
2pcs
 - 13
2pcs
- Ø4x12mm
5/32"x12mm

Three-way adjustable hinge for perfectly aligned doors
 1. TO ADJUST DOOR FORWARD OR BACKWARD.
 2. TO ADJUST DOOR TO RIGHT OR TO LEFT.
 3. TO ADJUST DOOR UP OR DOWN.

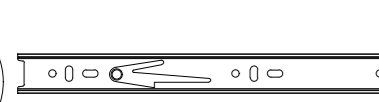


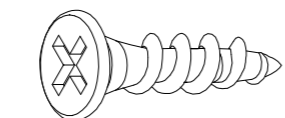
STEP 24

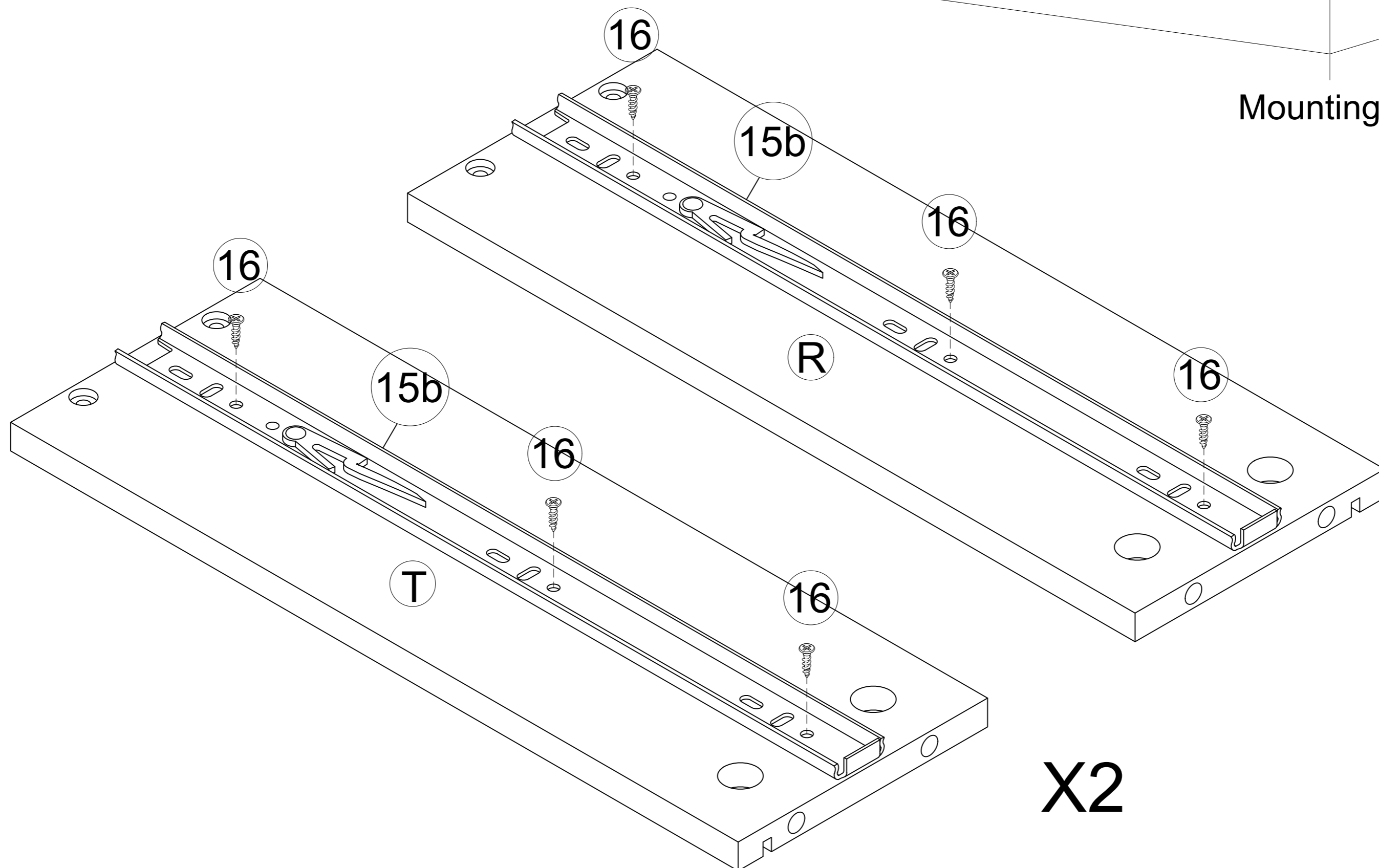
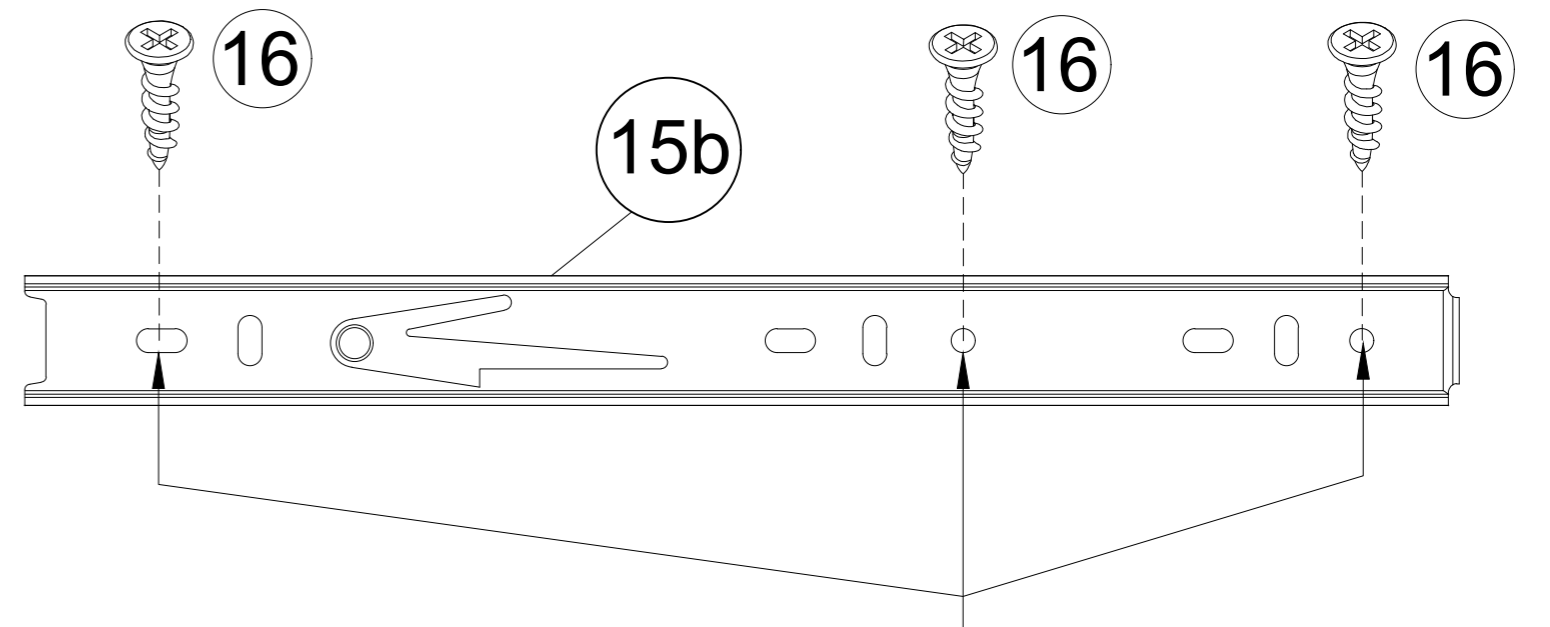
11  4pcs
Ø6x33mm



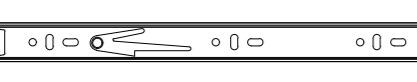
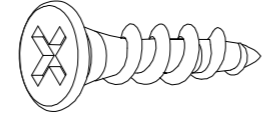
STEP 25

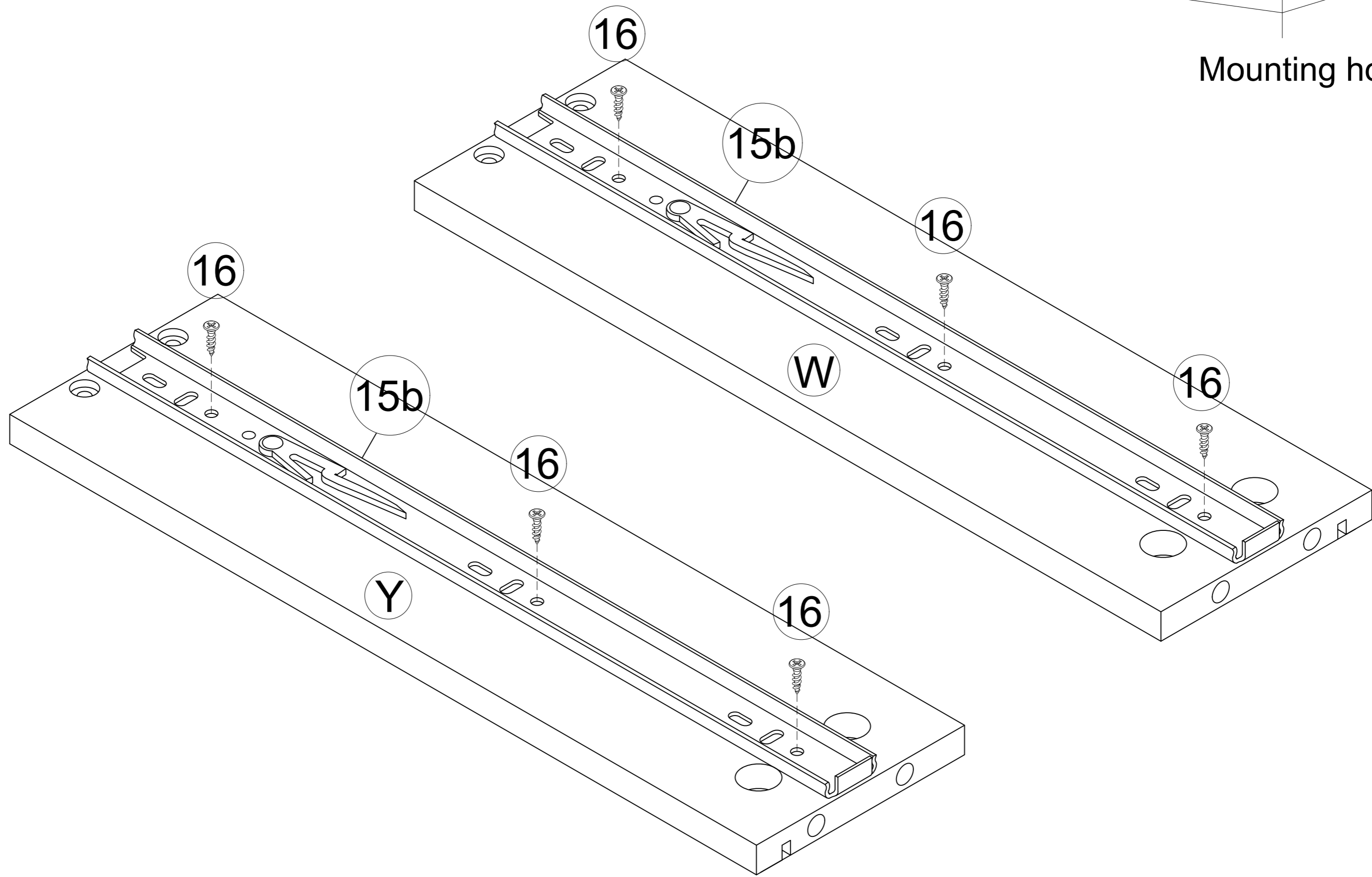
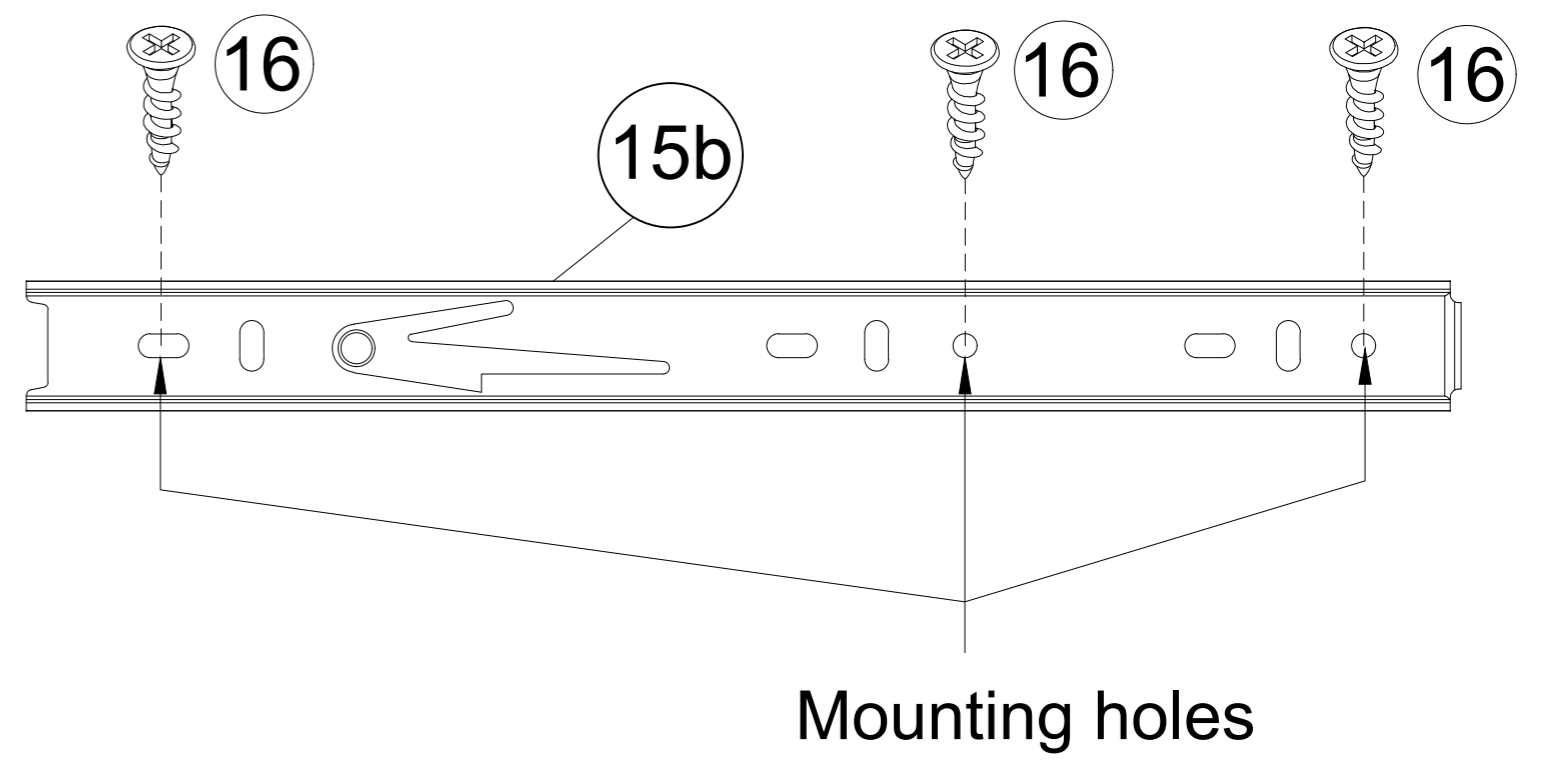
15b  4pcs
12"x45mm

16  12pcs
Ø3x10mm

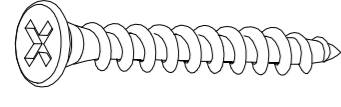


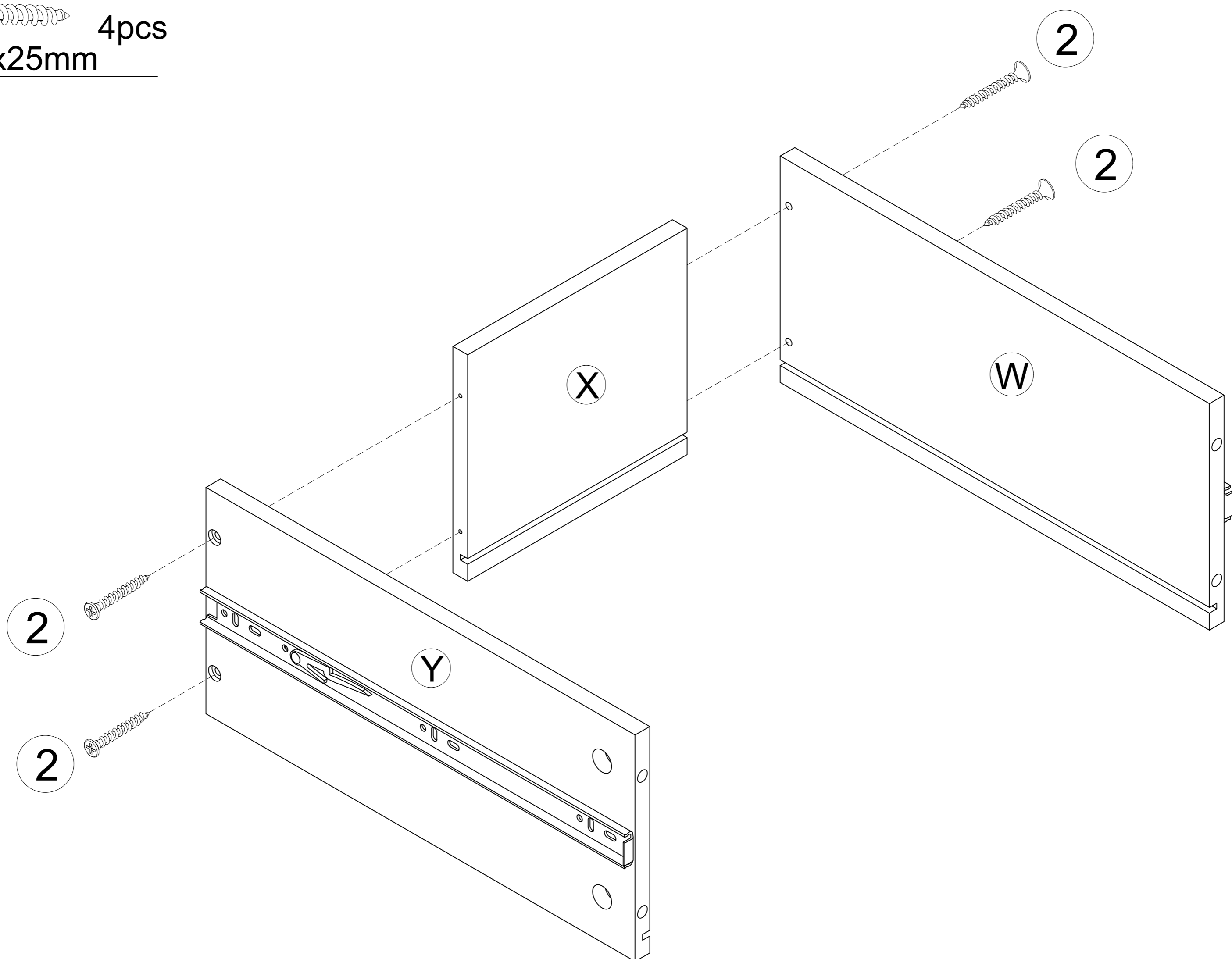
STEP 26

- 15b  2pcs
12"x45mm
- 16  6pcs
Ø3x10mm

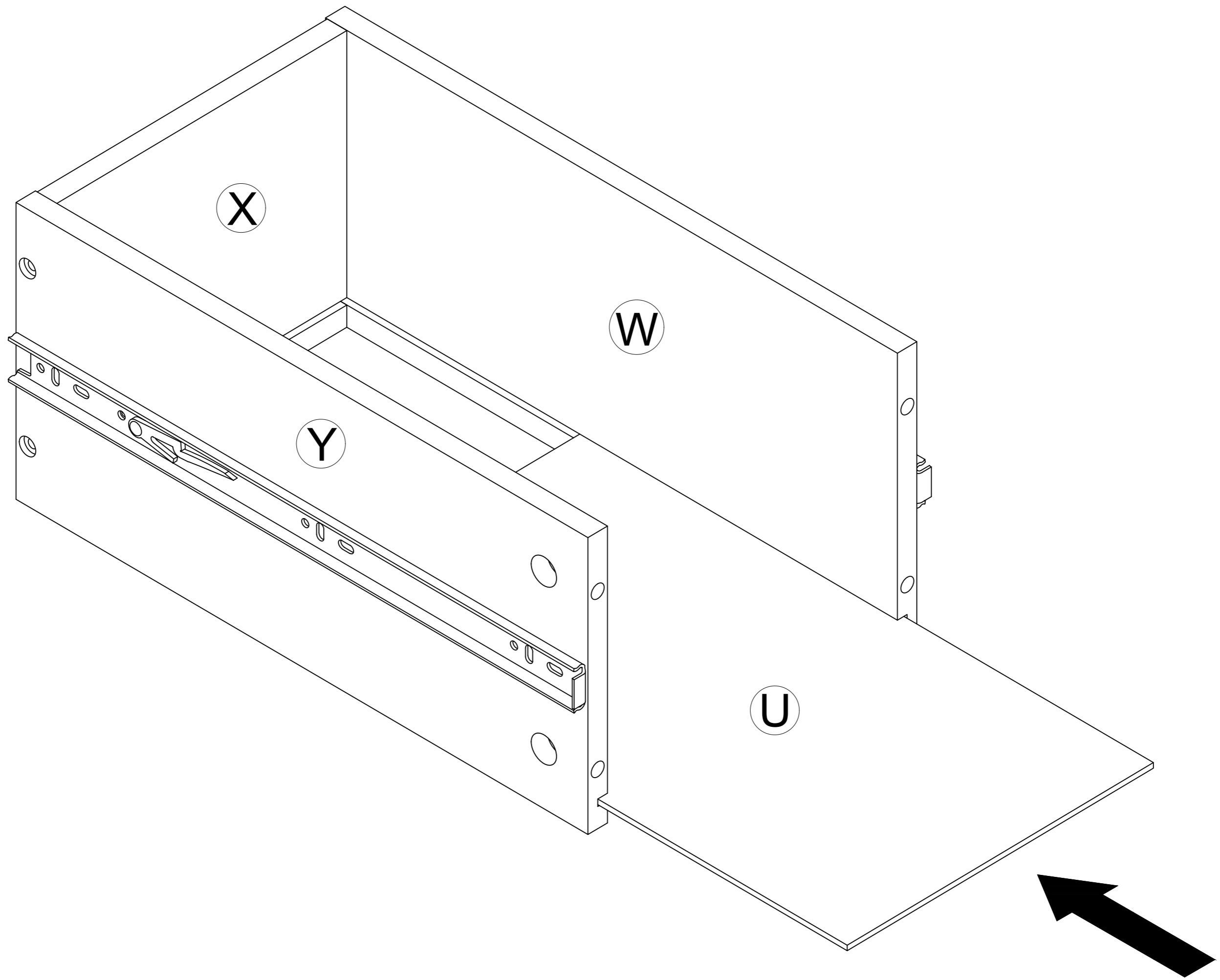


STEP 27


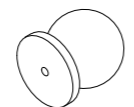
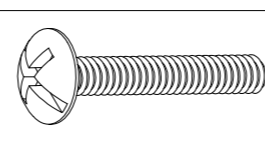
- 2  4pcs
Ø4x25mm

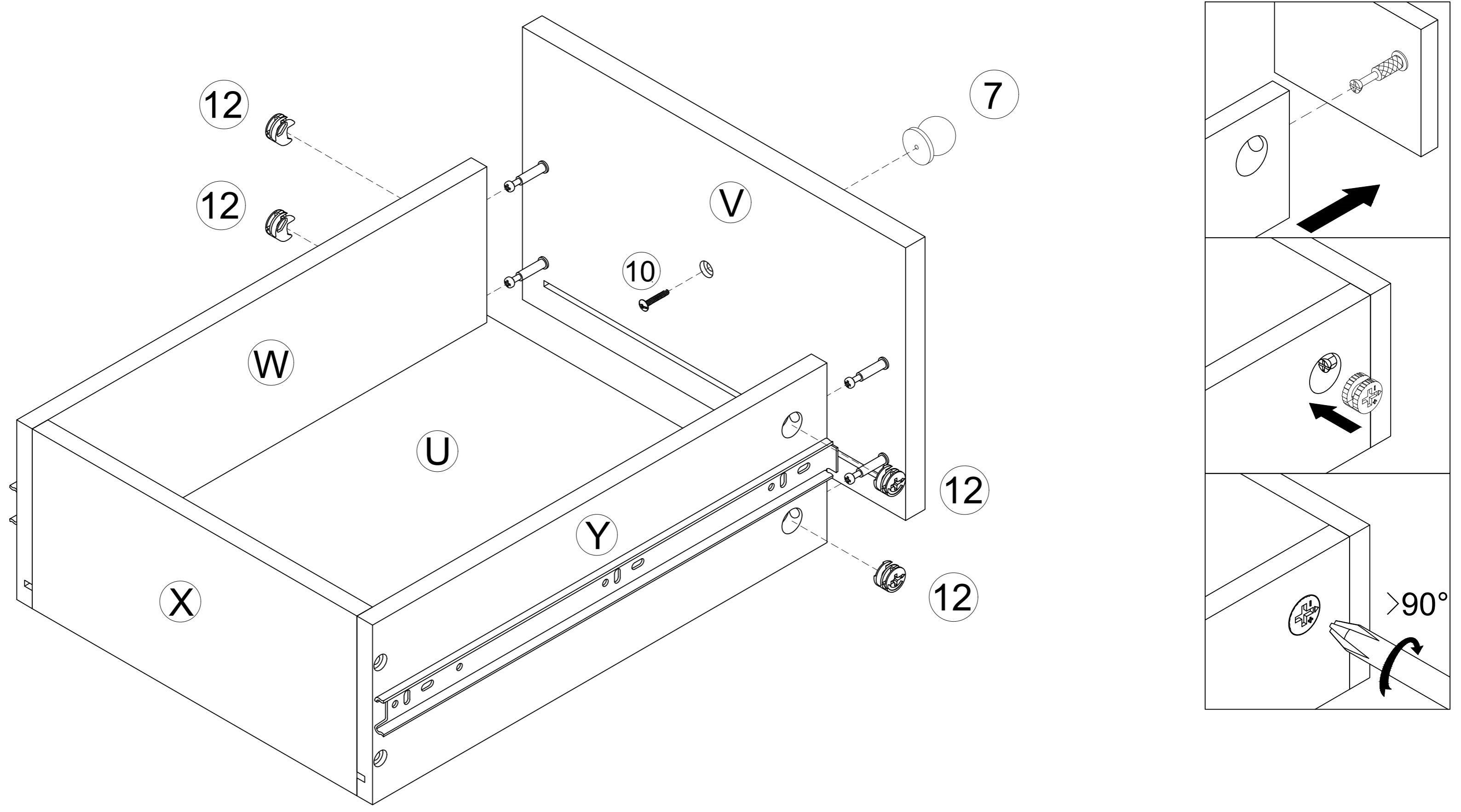


STEP 28

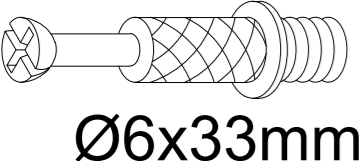


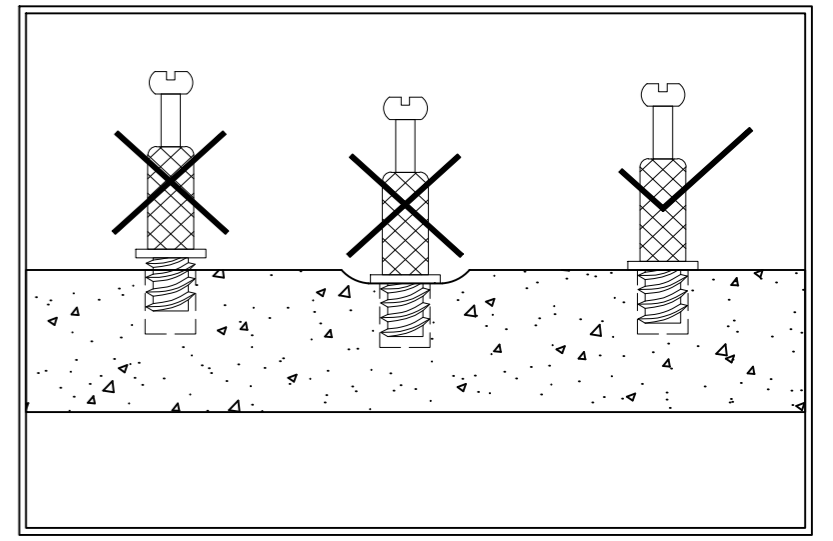
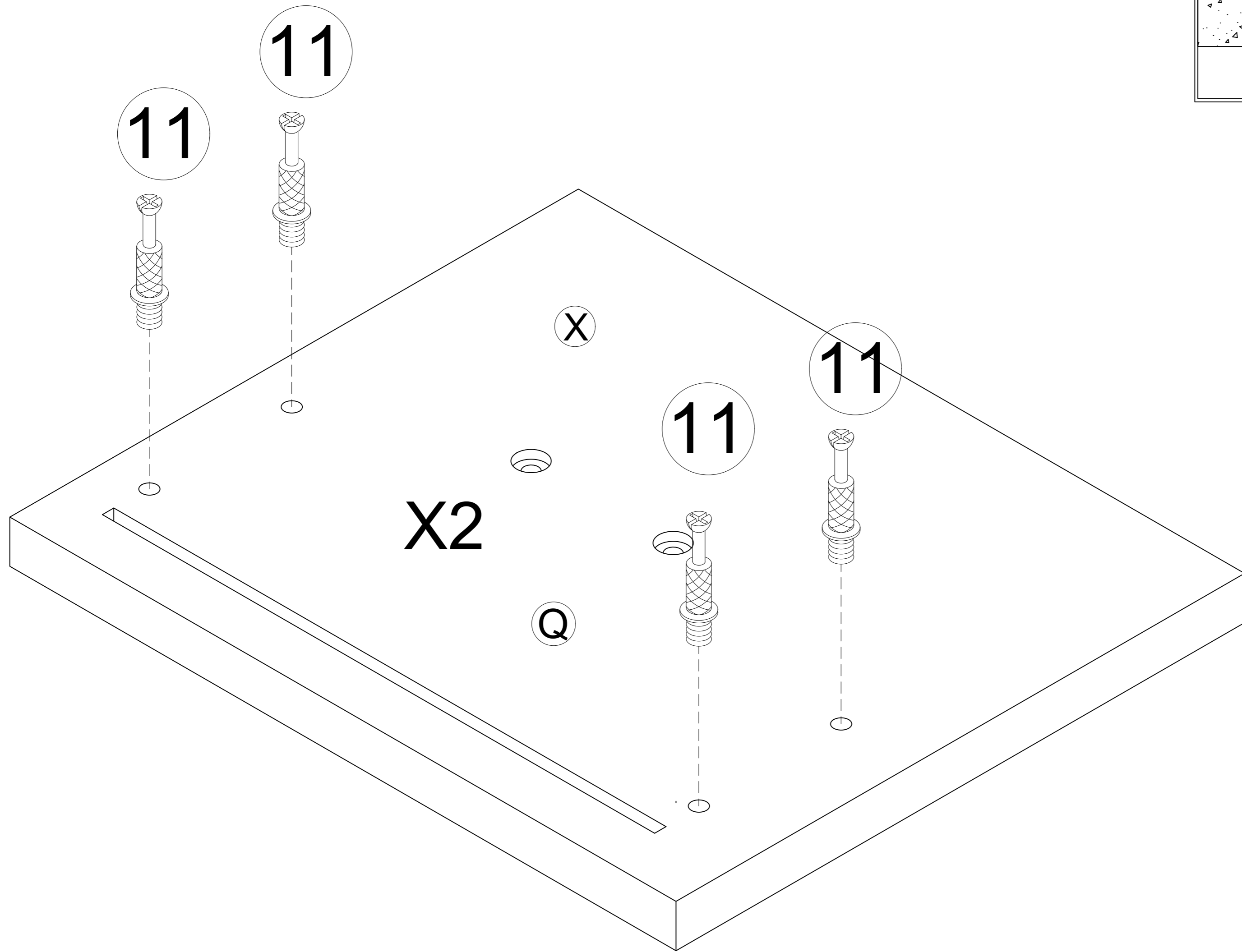
STEP 29

- | | | | | | | | | |
|----|---|------|---|---|-----|----|---|-----|
| 12 |  | 4pcs | 7 |  | 1pc | 13 |  | 1pc |
| | Ø15x9mm | | | | | | 5/32"x12mm | |




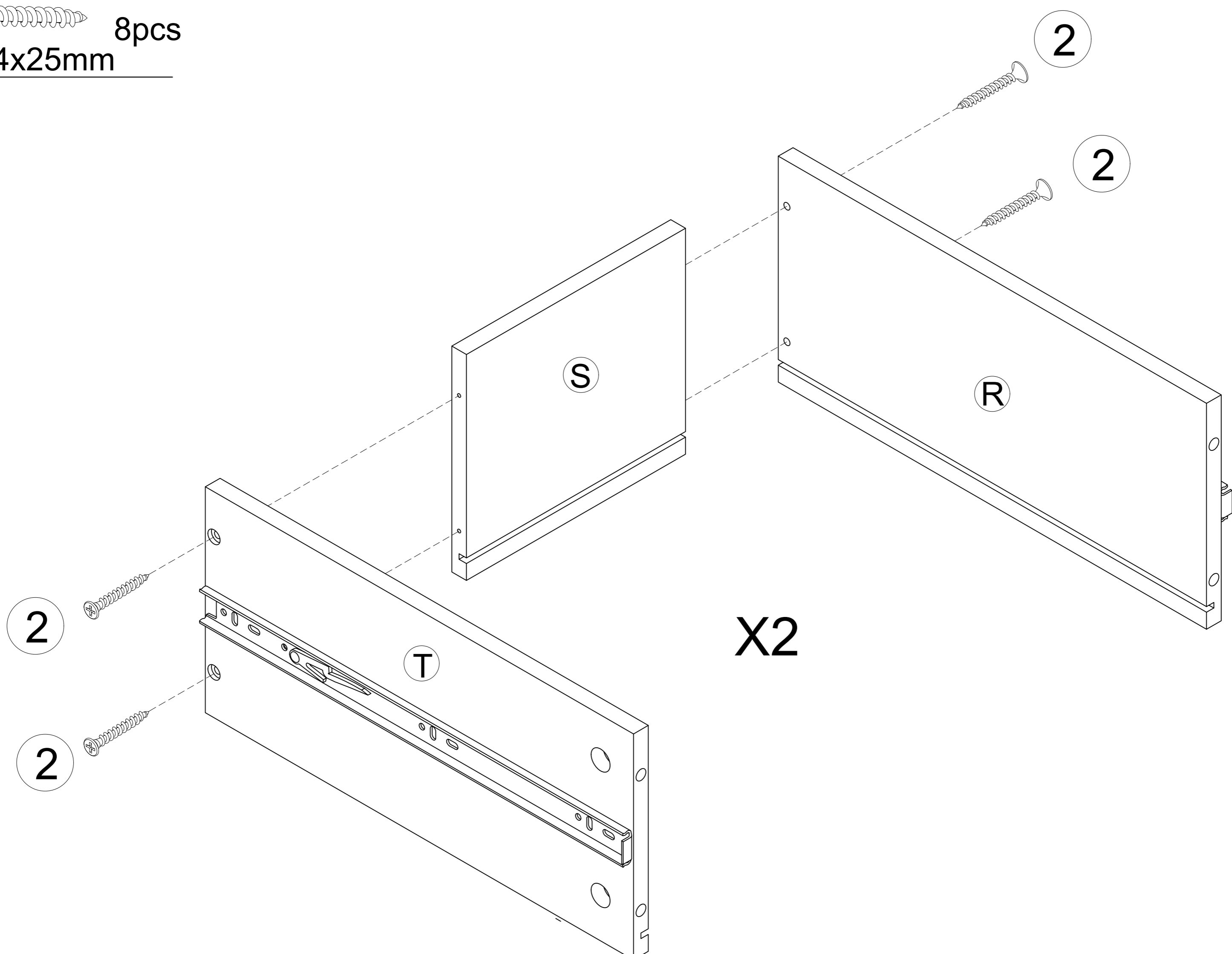
STEP 30

11  8pcs
Ø6x33mm

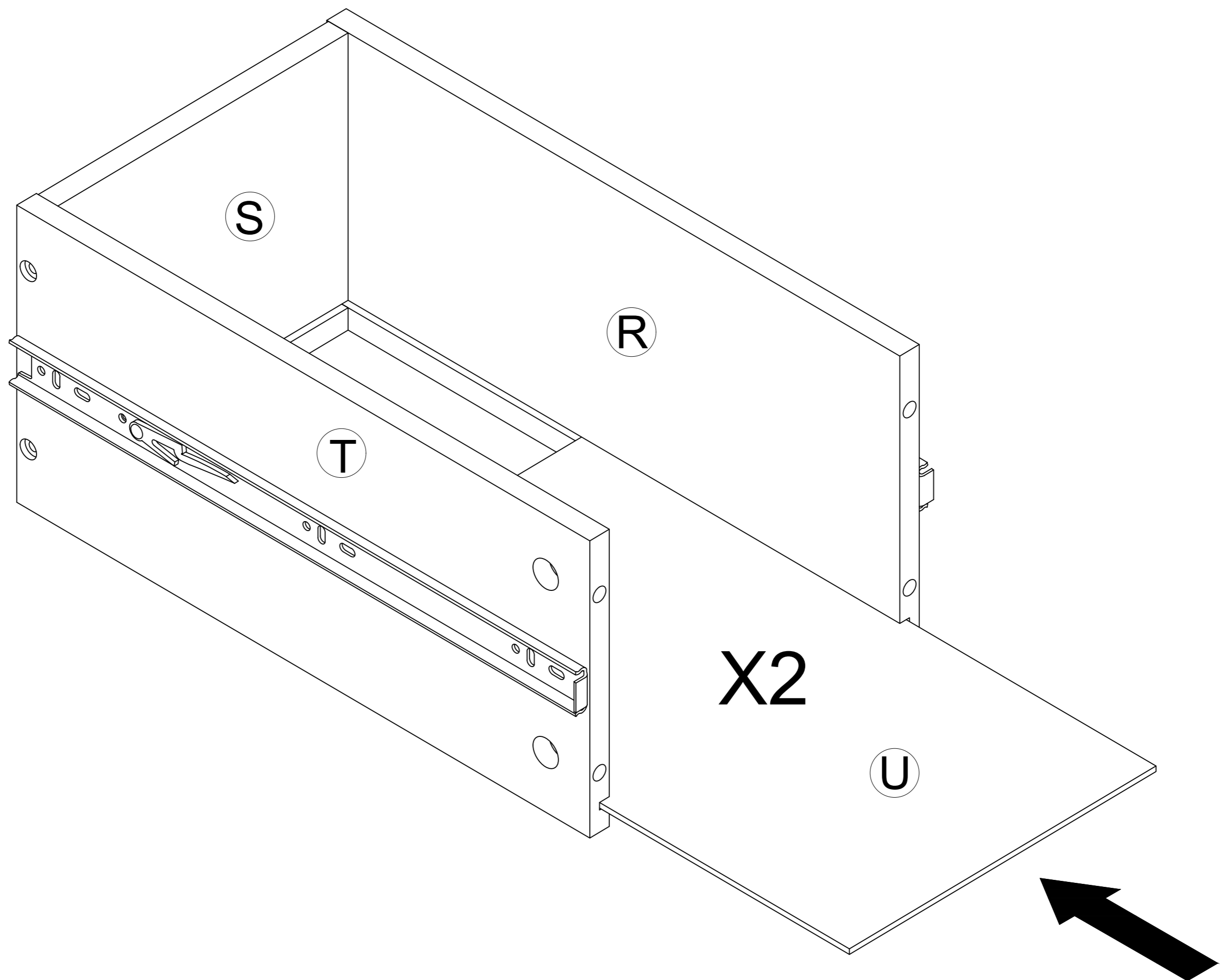


STEP 31

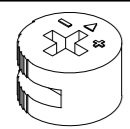
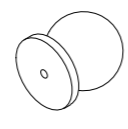
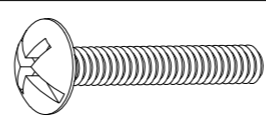
2  8pcs
Ø4x25mm

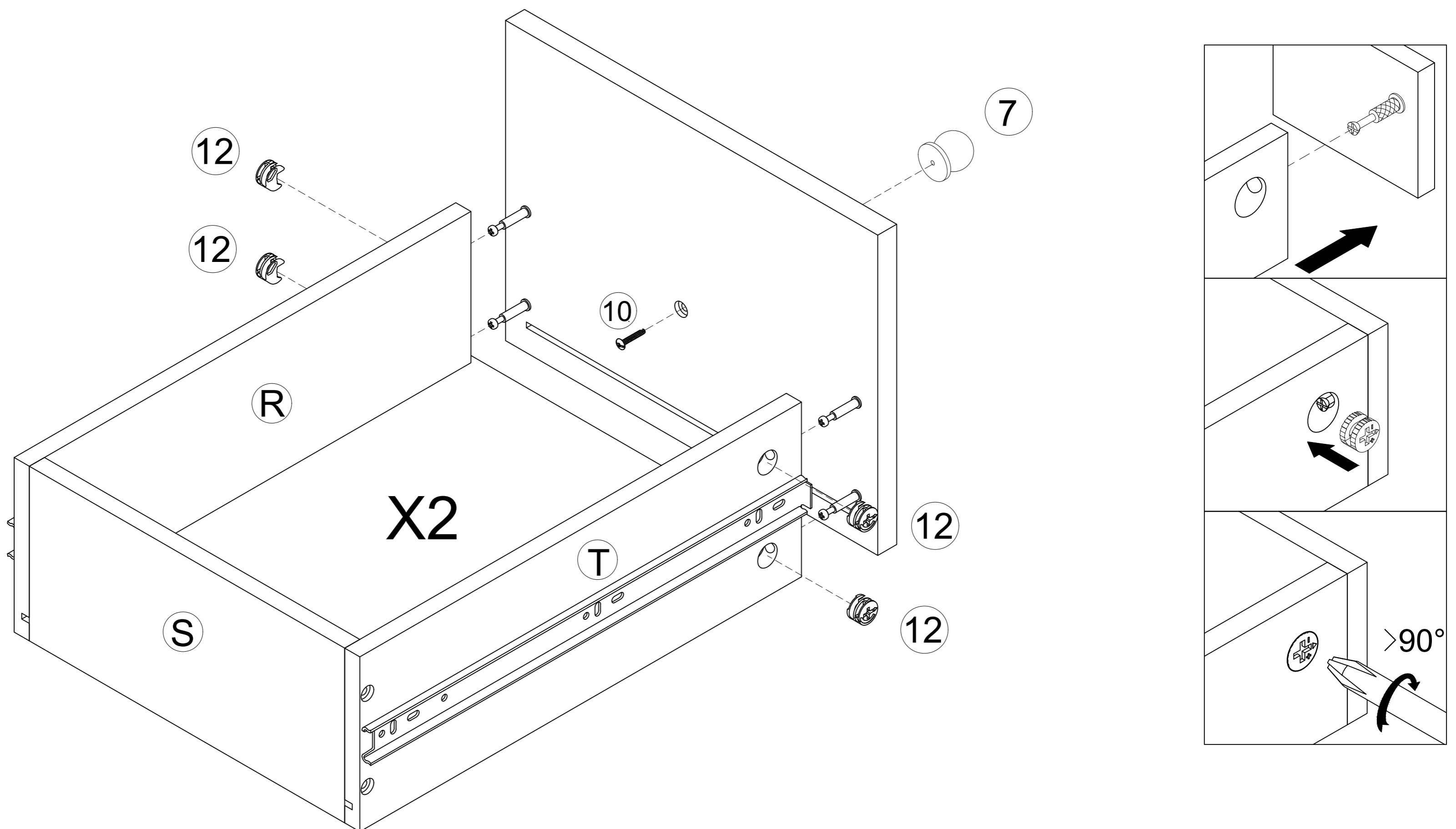


STEP 32

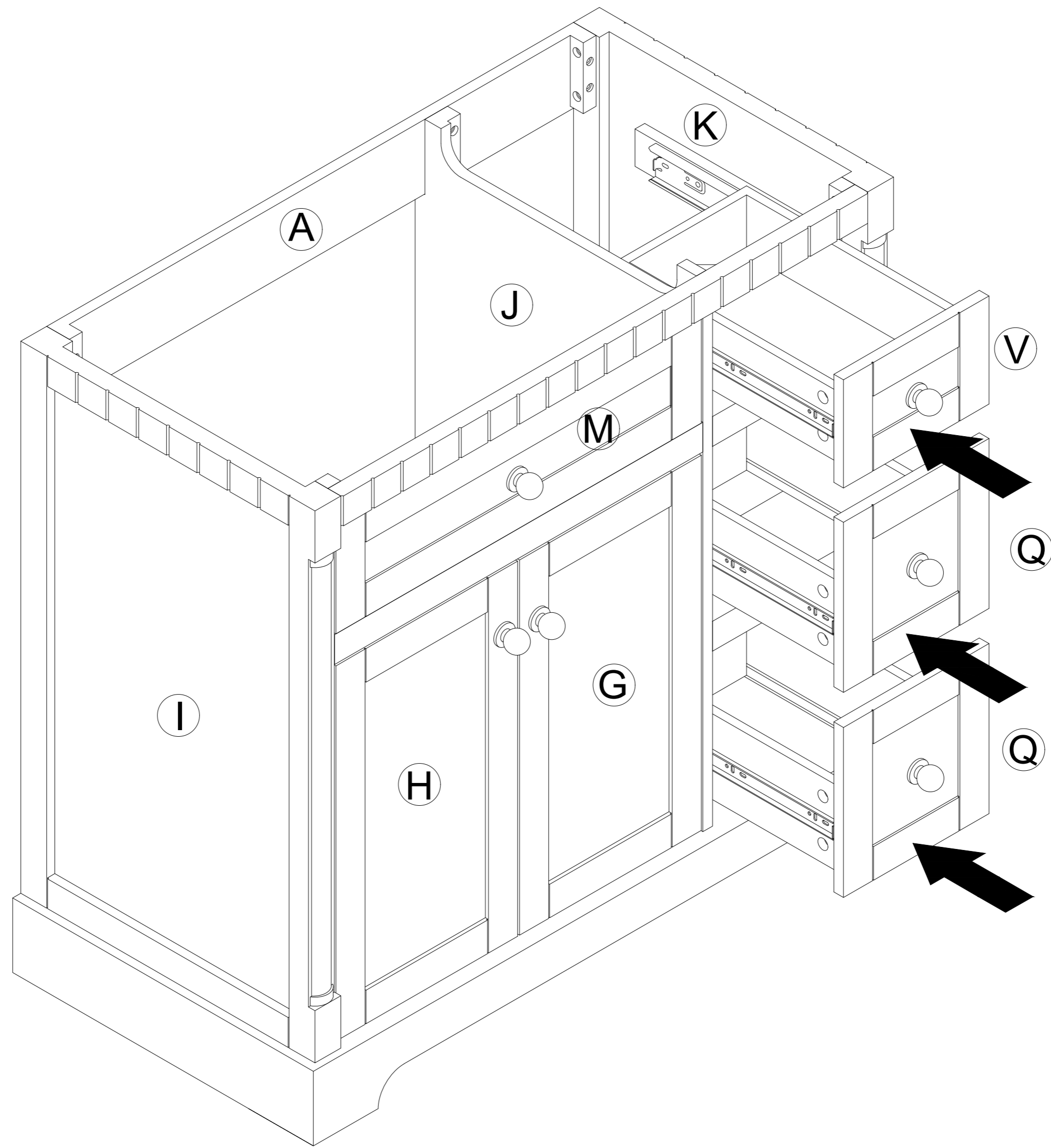


STEP 33

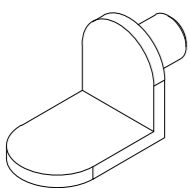
- | | | | | | | | | |
|----|---|------|---|---|------|----|---|------|
| 12 |  | 8pcs | 7 |  | 2pcs | 13 |  | 2pcs |
| | Ø15x9mm | | | | | | 5/32"x12mm | |

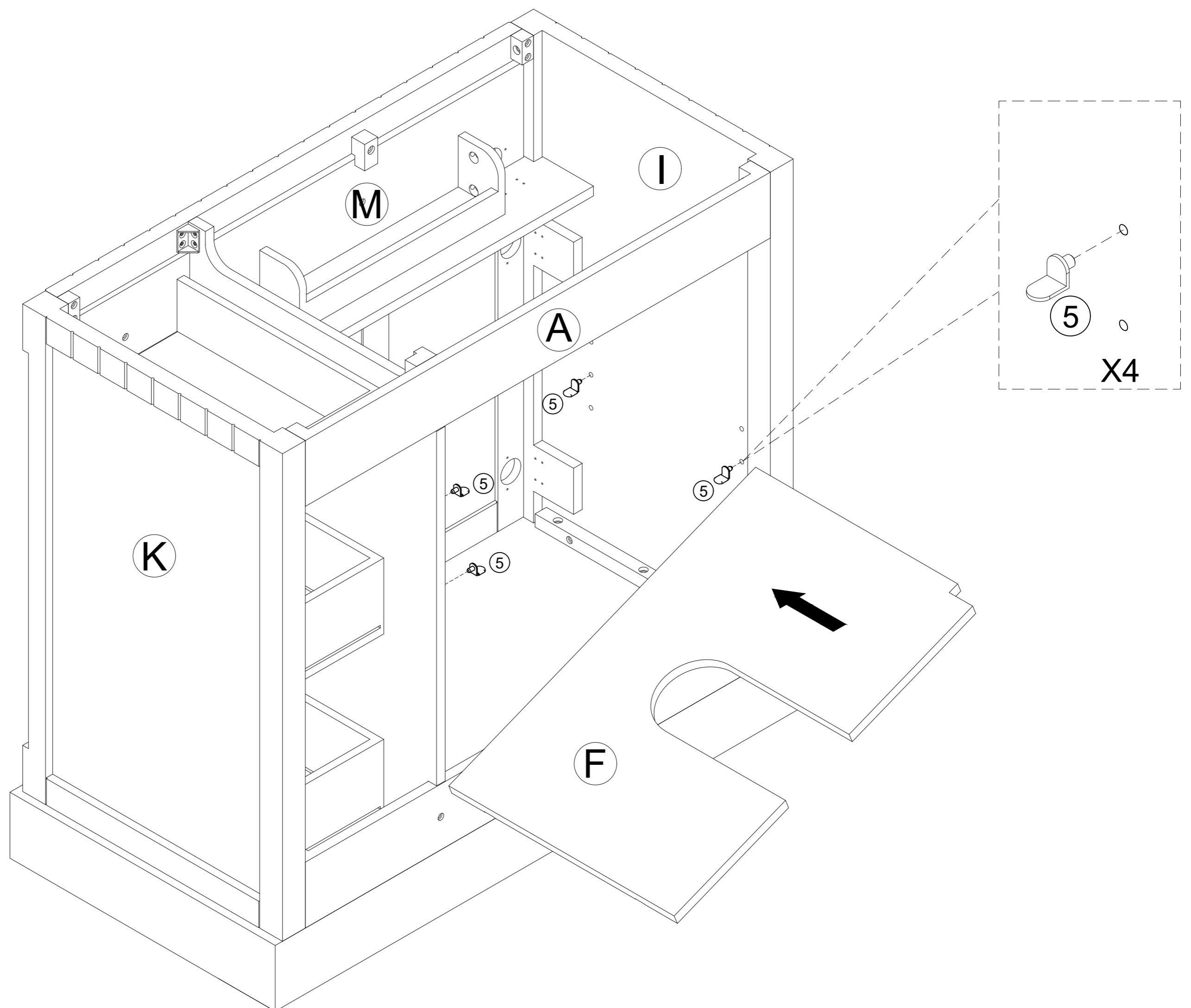


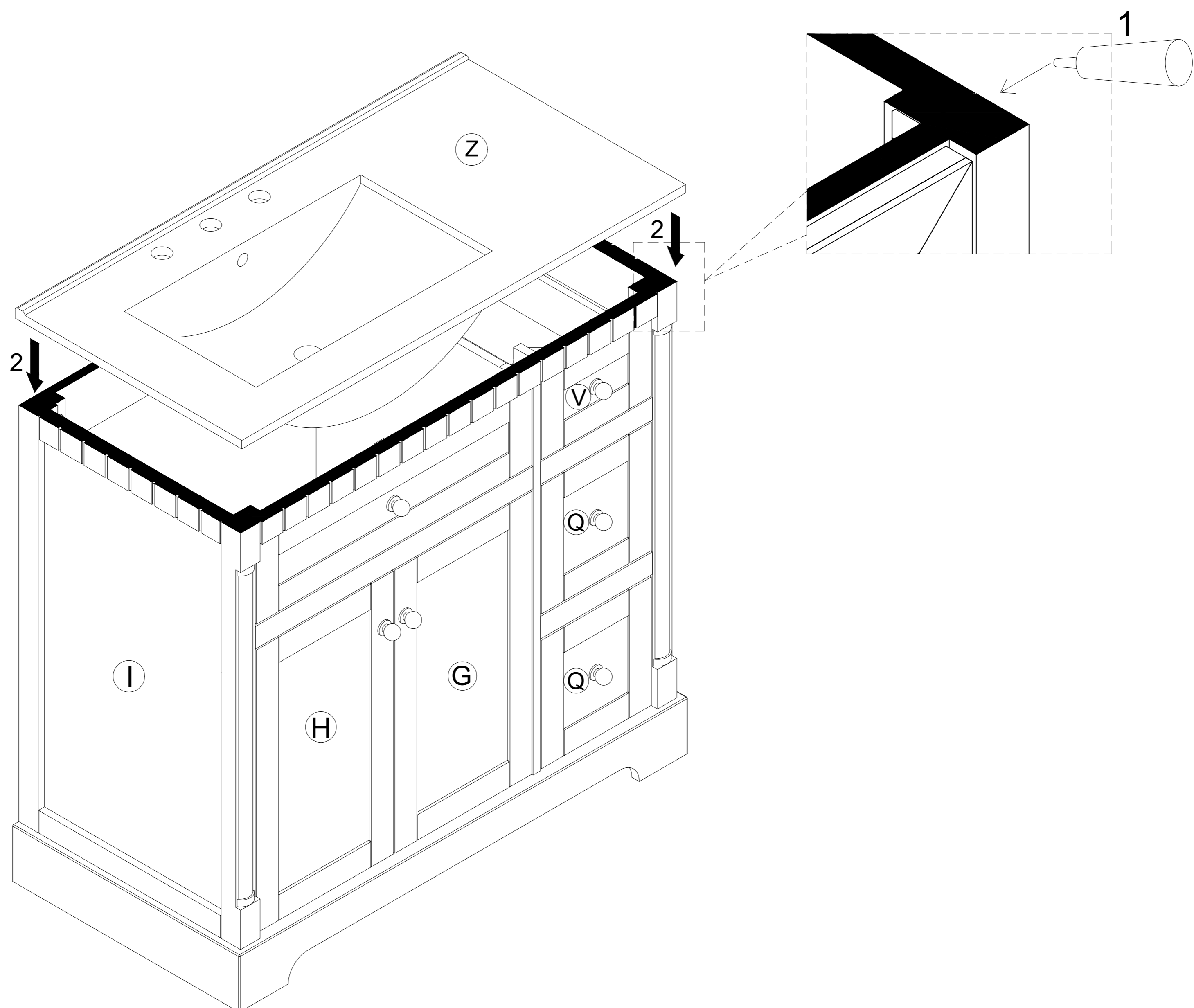
STEP 34



STEP 35

- ⑤  4pcs





To install the Top (1) to the vanity (2). Apply silicone caulk to the top edge of the wood cabinet. With the help of another adult, gently lower the Sink top with assembled sink onto the cabinet. Make sure the Sink top is flush with the back side of the wood cabinet and the wood cabinet left and right side walls.