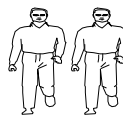
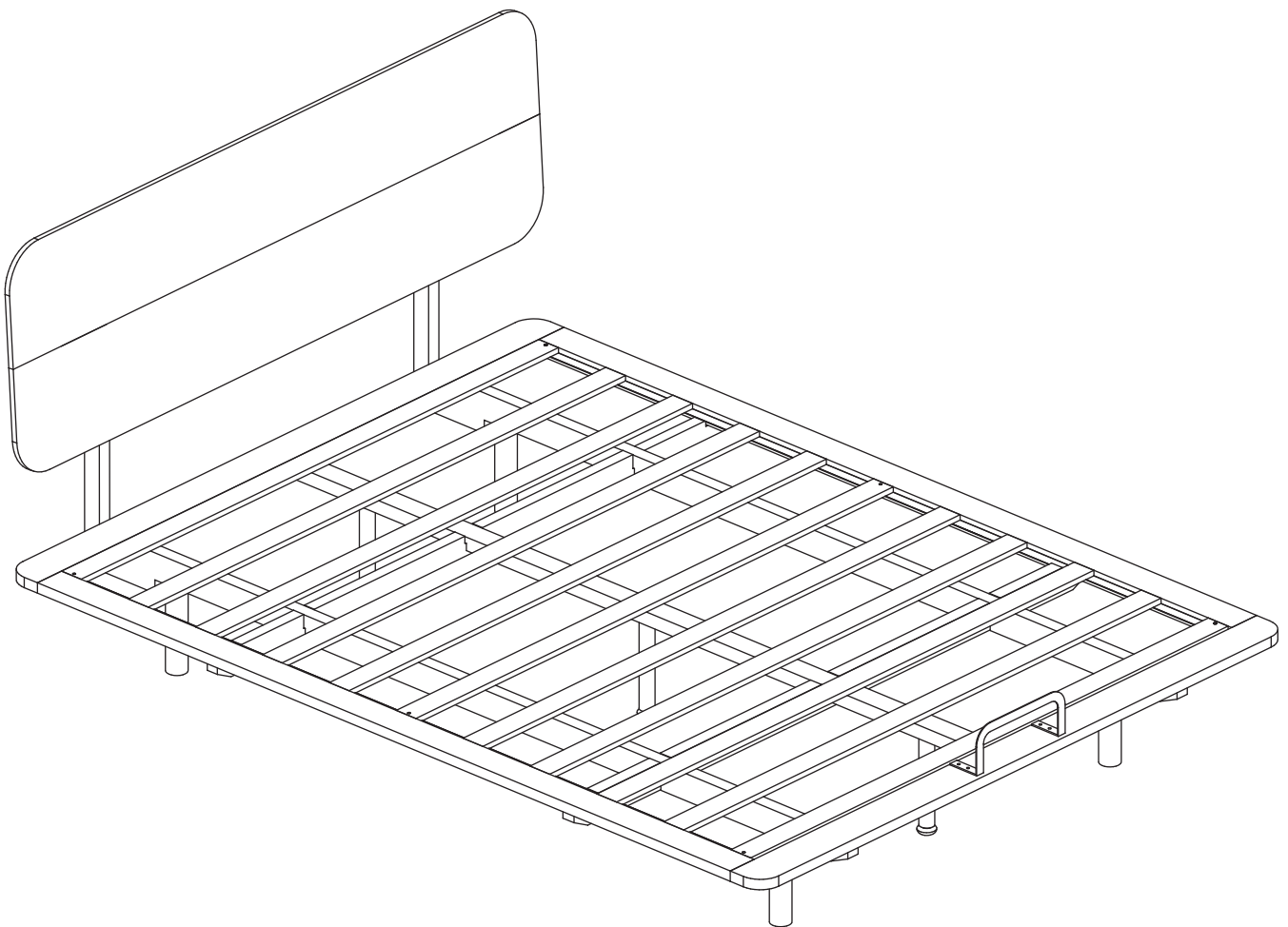


# PLATFORM BED FRAME CADRE DE LIT PLATEFORME

Assembly Instructions - Please keep for future reference

W5305P423574  
W5305P435928



Two people are required to assemble and move this model.

Important – Please read these instructions fully before starting assembly

# Safety and Care Advice

- Check you have all the components and tools listed on the following pages.

- Remove all fittings from the plastic bags and separate them

- Keep children and pets away from the installation area, which may cause choking if small parts are swallowed.

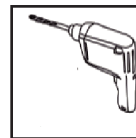
- Make sure you have enough space to layout the parts before

- Do not stand or apply weight to the product during assembly. This may cause damage.

- Assemble the item as close to its final position (in the same room) as possible.

- Assemble on a soft level surface to avoid damage to the unit or floor.

- It's easier for two people to assemble the parts together.



- To reduce the likelihood of damage to your product, make sure your power drill is set to a low torque setting.

## Care and maintenance

- Only clean using a damp cloth and mild detergent, do not use bleach or abrasive cleaners.

- Check for loose screws on this unit from time to time.

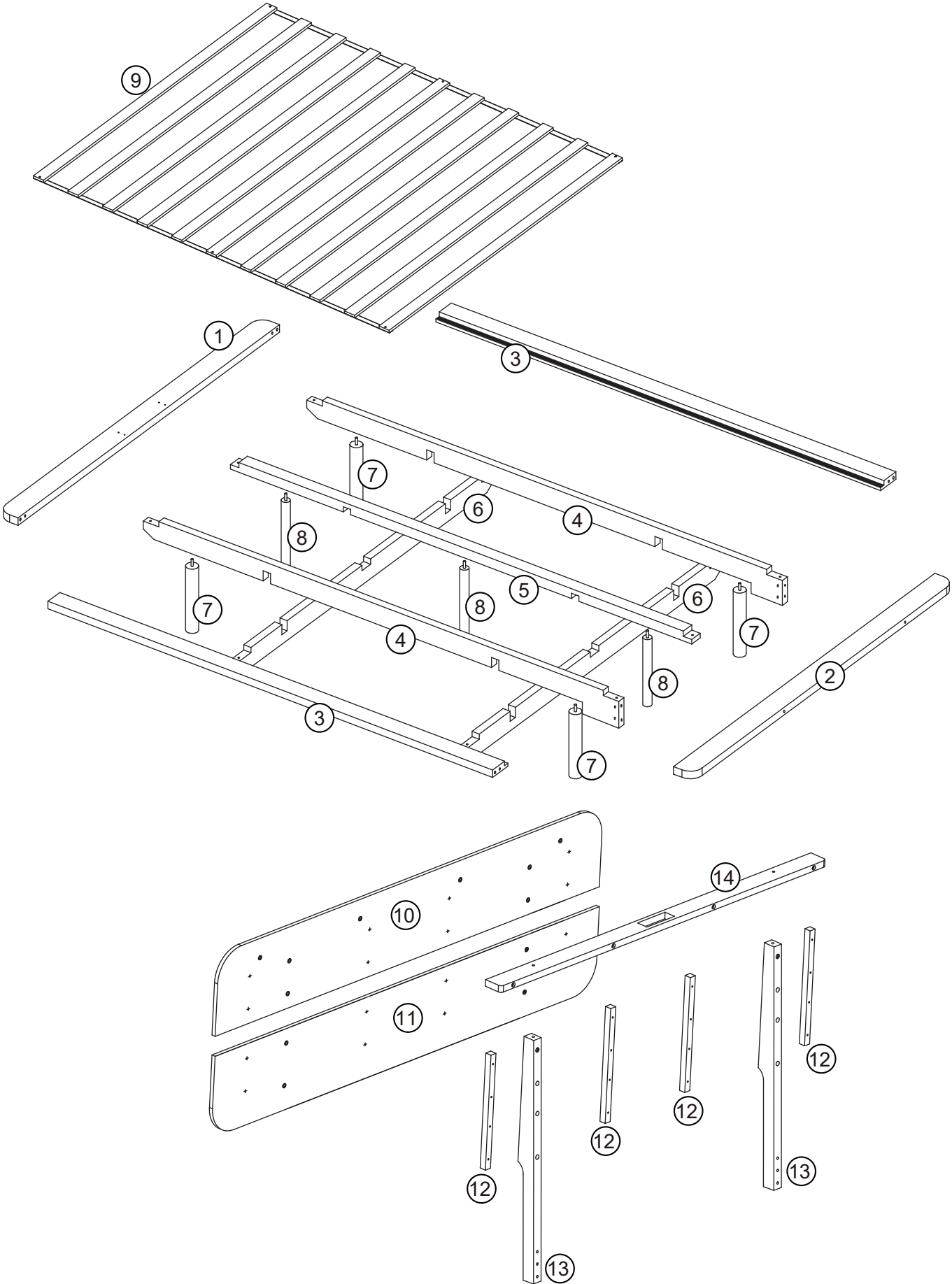
- This product should not be discarded with household waste. Take to your local authority waste disposal centre.

## Handy Hints

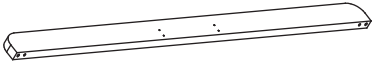







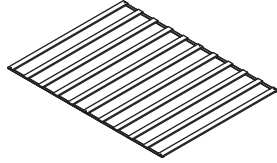
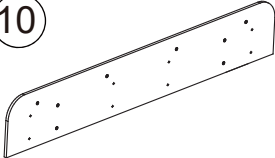
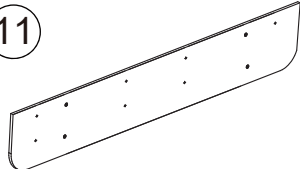


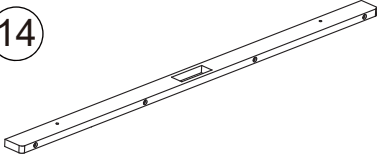
- Assemble all parts and bolts loosely during assembly, only once the product is complete should you fully tighten the bolts

- Regularly check and ensure that all bolts and fittings are correctly tightened.

# Assembly Instructions



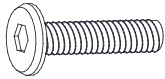


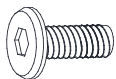


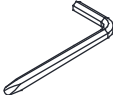
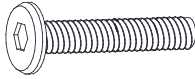

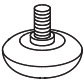
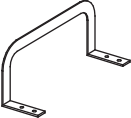
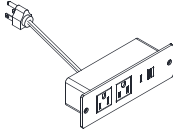

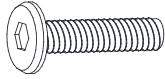
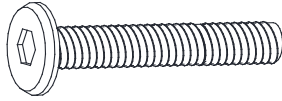
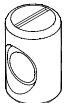
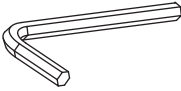
# Part List

<p>①</p>  <p>1PC</p>	<p>②</p>  <p>1PC</p>	<p>③</p>  <p>2PCS</p>
<p>④</p>  <p>2PCS</p>	<p>⑤</p>  <p>1PC</p>	<p>⑥</p>  <p>2PCS</p>
<p>⑦</p>  <p>4PCS</p>	<p>⑧</p>  <p>3PCS</p>	<p>⑨</p>  <p>1PC</p>
<p>⑩</p>  <p>1PC</p>	<p>⑪</p>  <p>1PC</p>	<p>⑫</p>  <p>4PCS</p>
<p>⑬</p>  <p>2PCS</p>	<p>⑭</p>  <p>1PC</p>	

# Hardware list

Please check you have all the panels listed below

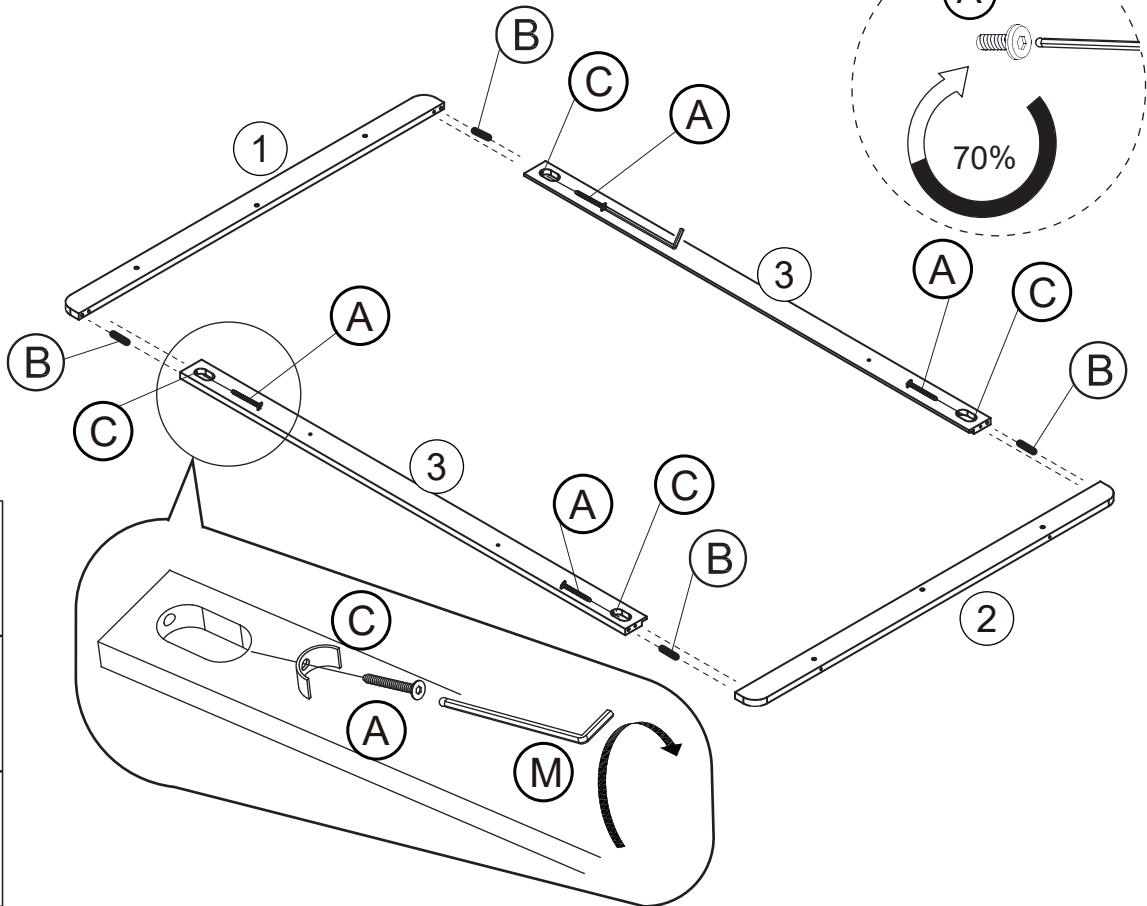
**Note:** The quantities below are the correct amount to complete the assembly. In some cases, more fittings may be supplied than required.




<p><b>A</b></p>  <p>(6*40mm ) x 20</p>	<p><b>B</b></p>  <p>(8*40) x 4</p>	<p><b>C</b></p>  <p>x 4</p>
<p><b>D</b></p>  <p>(6*25mm) x 2</p>	<p><b>E</b></p>  <p>(3.5*16mm) x 6</p>	<p><b>F</b></p>  <p>(3.5*20mm) x 6</p>
<p><b>G</b></p>  <p>x 1</p>	<p><b>H</b></p>  <p>(6*60mm ) x 2</p>	<p><b>I</b></p>  <p>(5*25mm) x 16</p>
<p><b>J</b></p>  <p>x 3</p>	<p><b>K</b></p>  <p>x 1</p>	<p><b>L</b></p>  <p>x 1</p>
<p><b>M</b></p>  <p>x 1</p>	<p><b>N</b></p>  <p>(6*45mm ) x 8</p>	<p><b>O</b></p>  <p>(8*60mm ) x 6</p>
<p><b>P</b></p>  <p>(8*20mm ) x 4</p>	<p><b>Q</b></p>  <p>5# x 1</p>	

## Assembly Tools Required (Not Included)

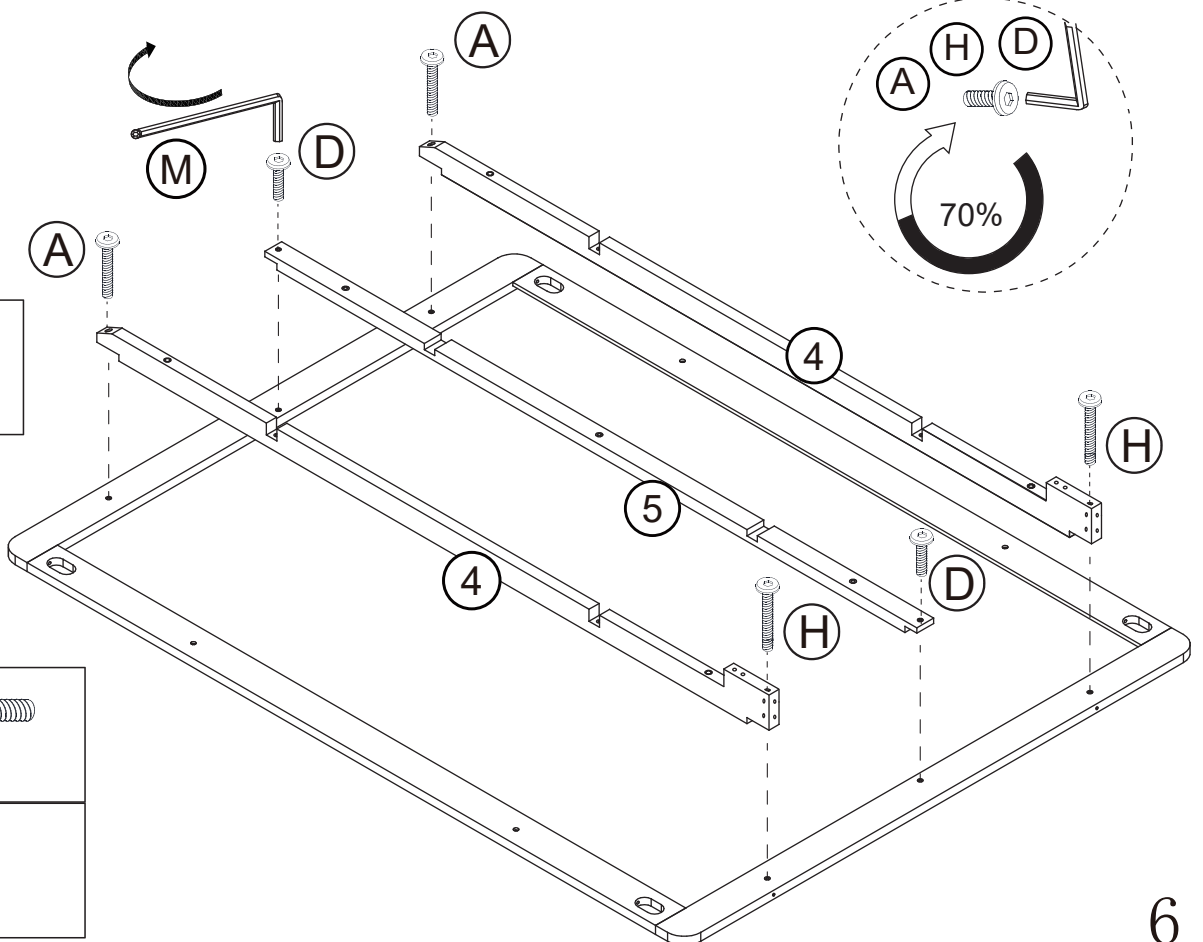
# Assembly Instructions

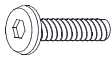
## Step 1


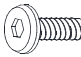


- A**  A x 4
- B**  B x 4
- C**  C x 4

## Step 2

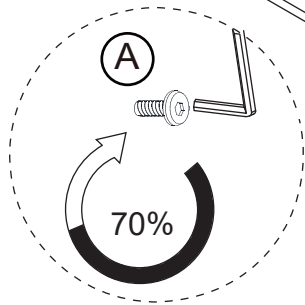
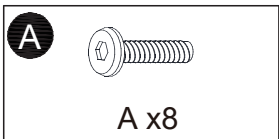
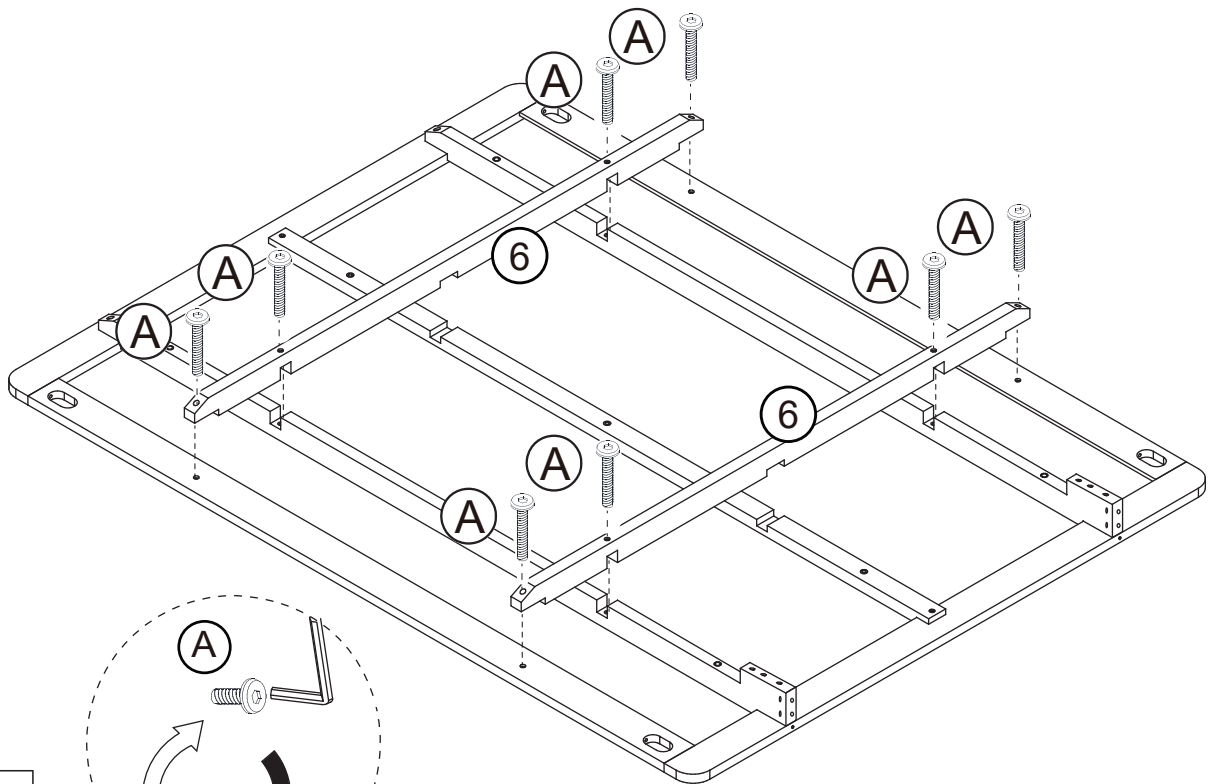


- A**  A x 2

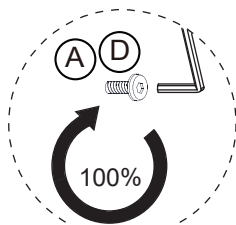
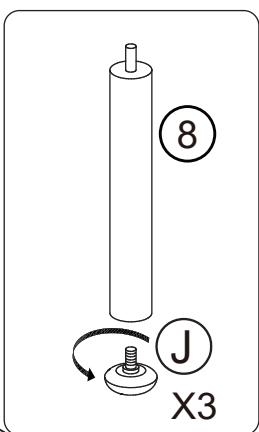
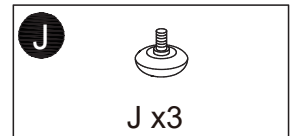
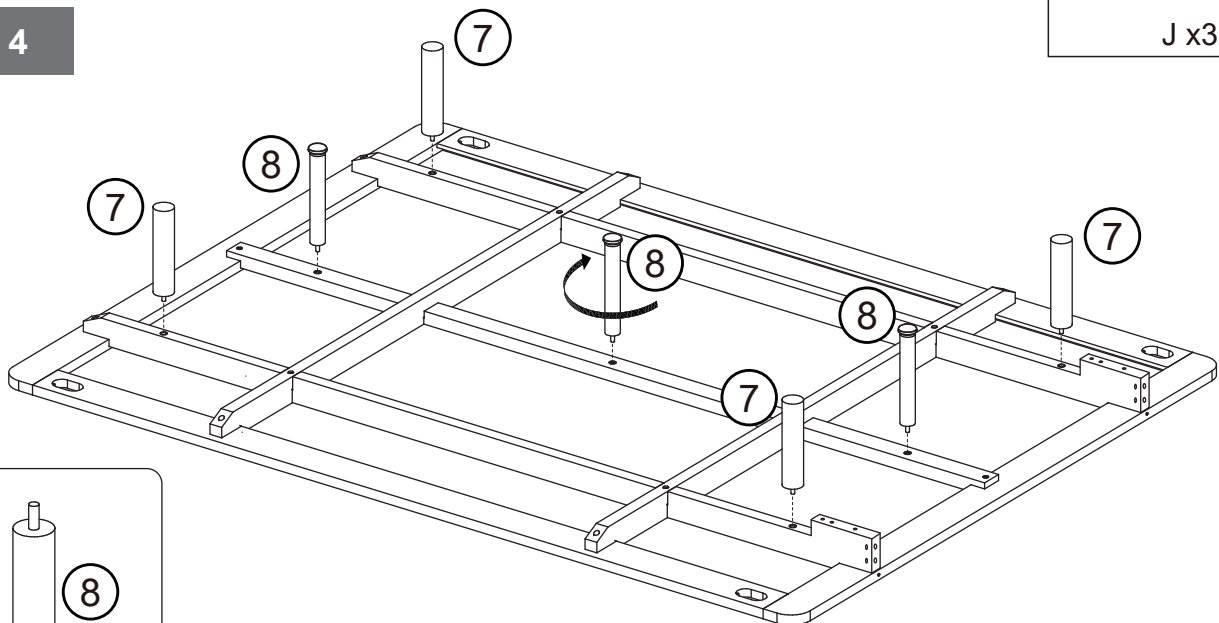
- H**  H x 2
- D**  D x 2

# Assembly Instructions

## Step 3



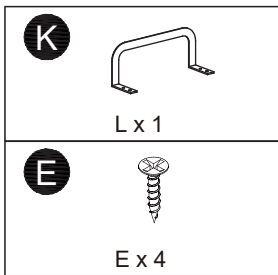
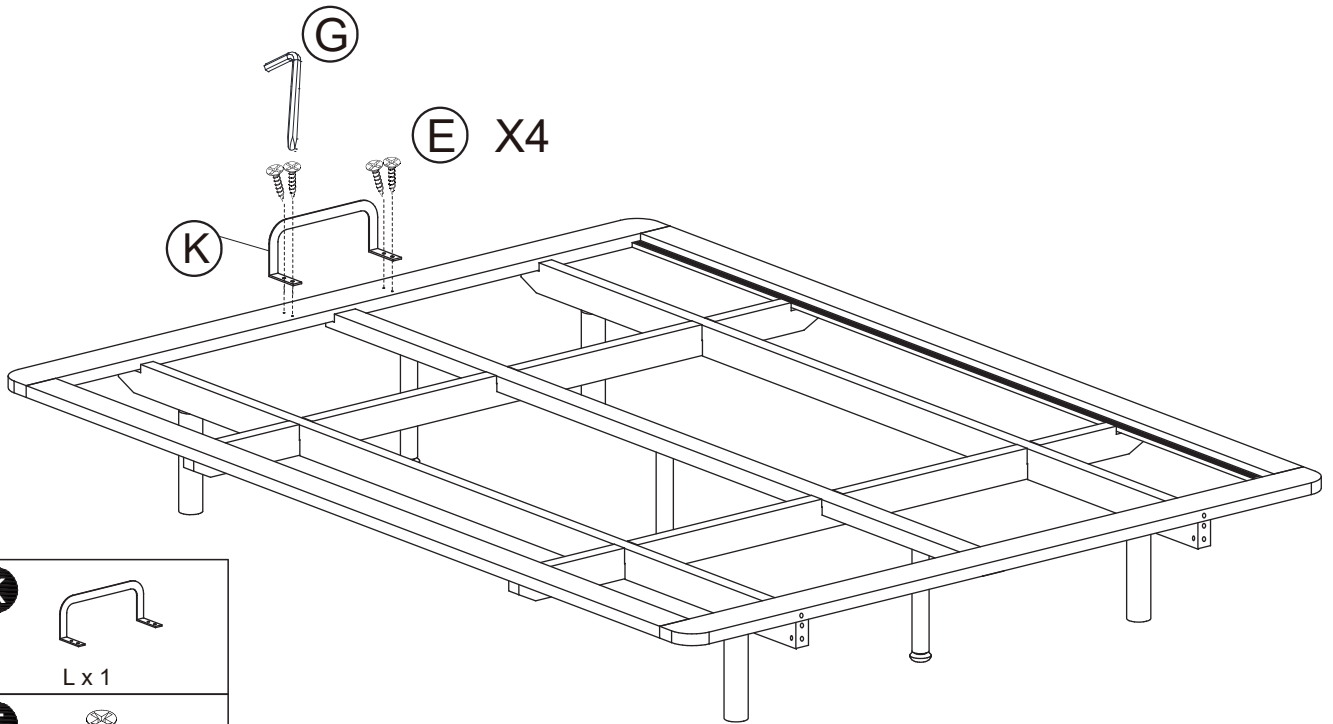
## Step 4



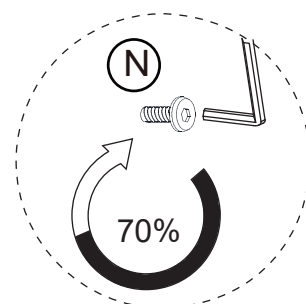
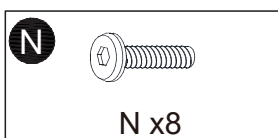
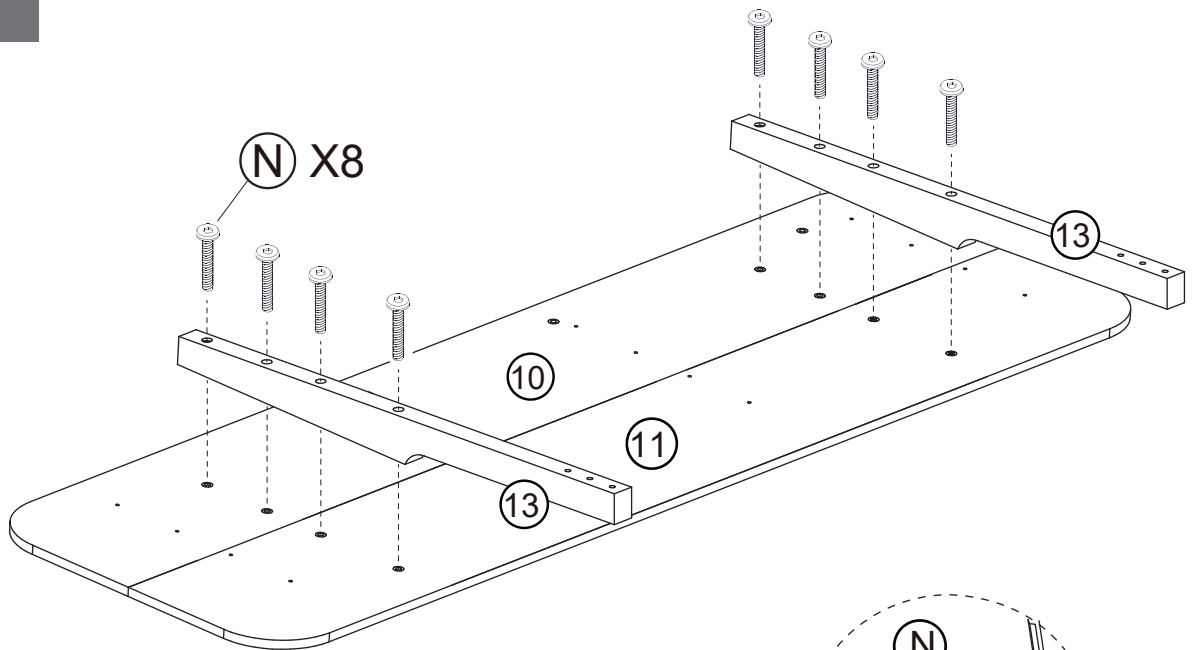
Use the short end of L to tighten all screws to 100%.  
Utilisez l'extrémité courte du L pour serrer toutes les vis à 100 %.

# Assembly Instructions

## Step 5

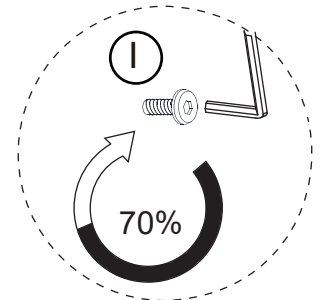
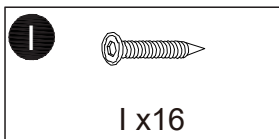
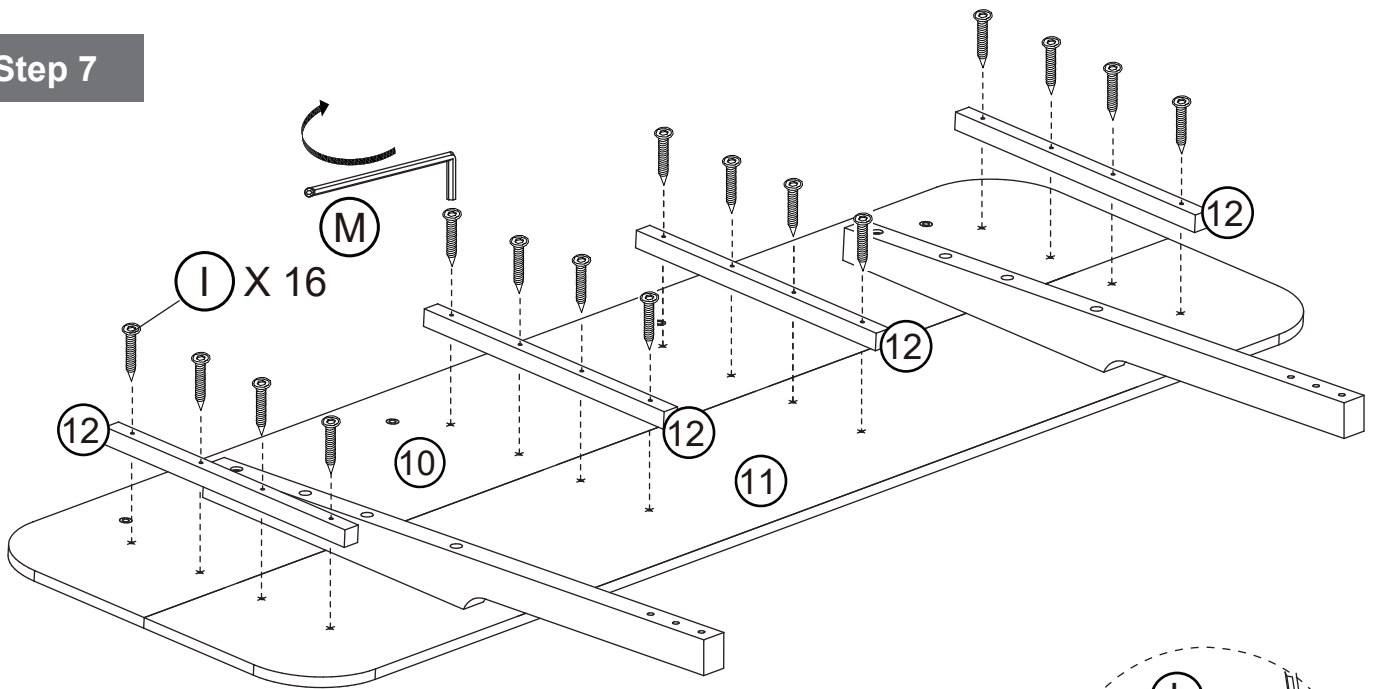


## Step 6

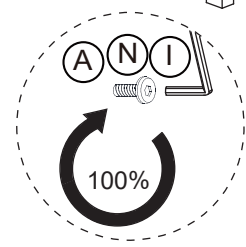
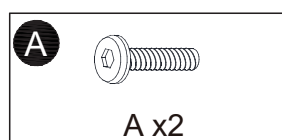
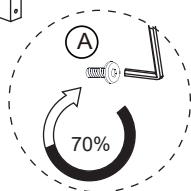
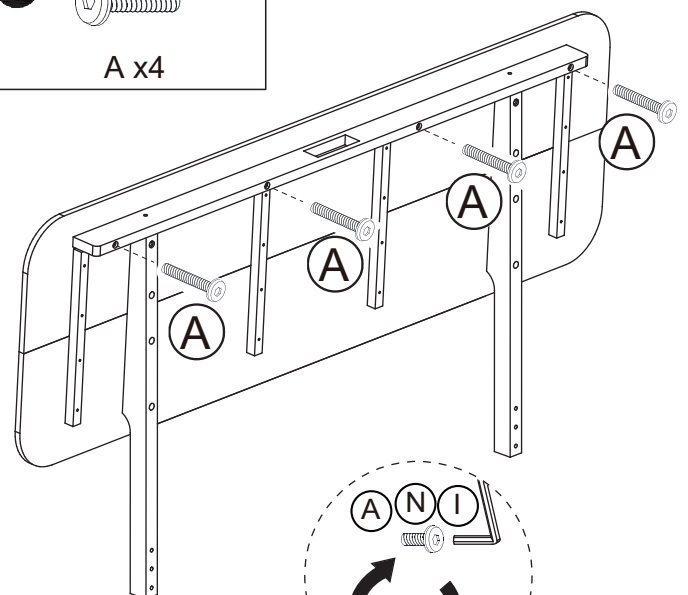
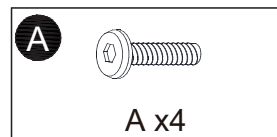
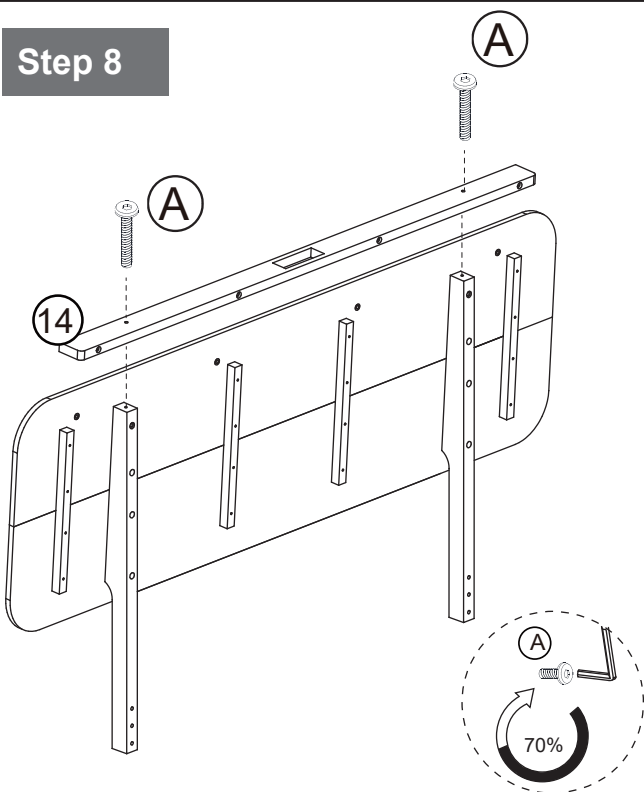


# Assembly Instructions

## Step 7



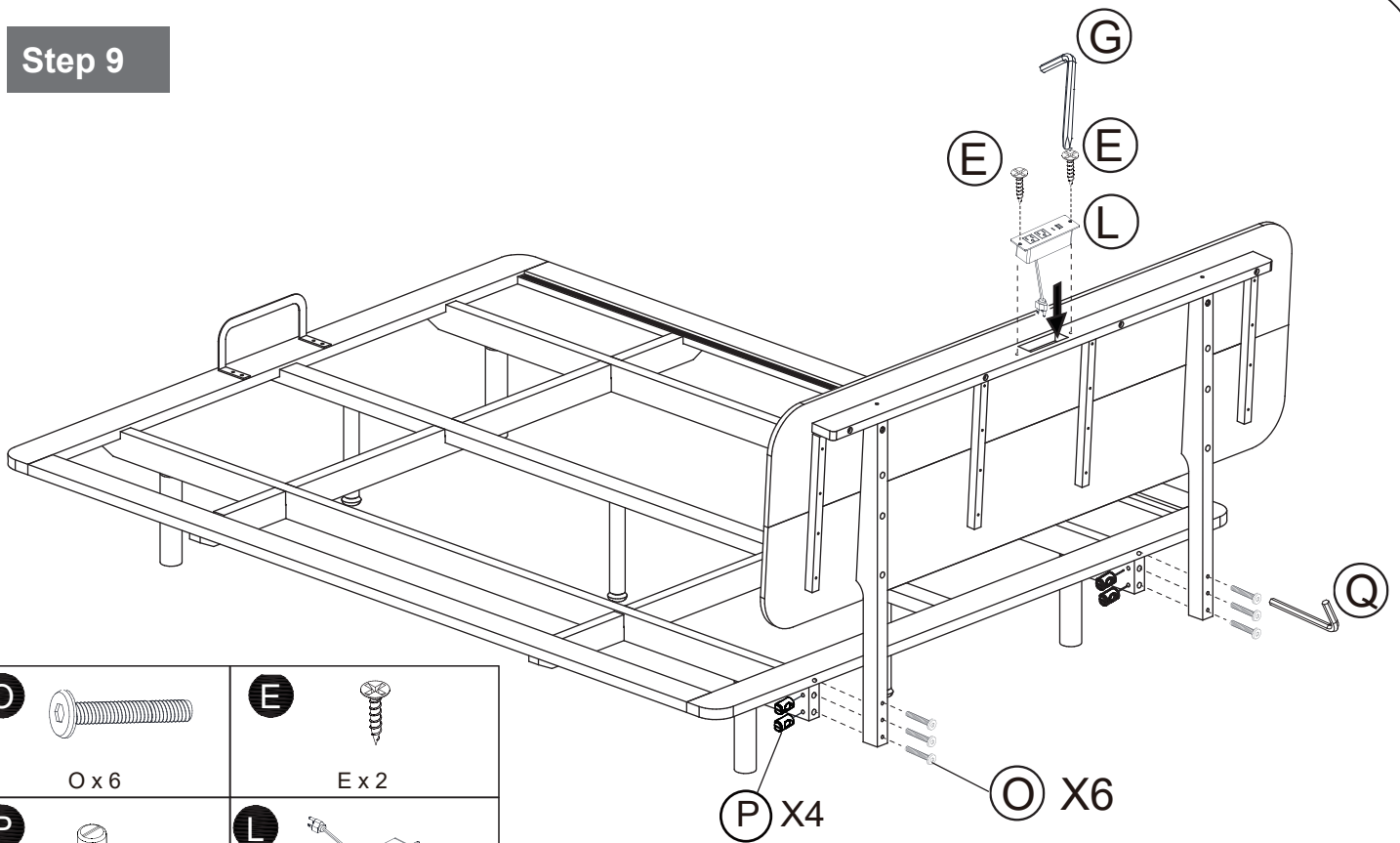
## Step 8



Use the short end of L to tighten all screws to 100%.

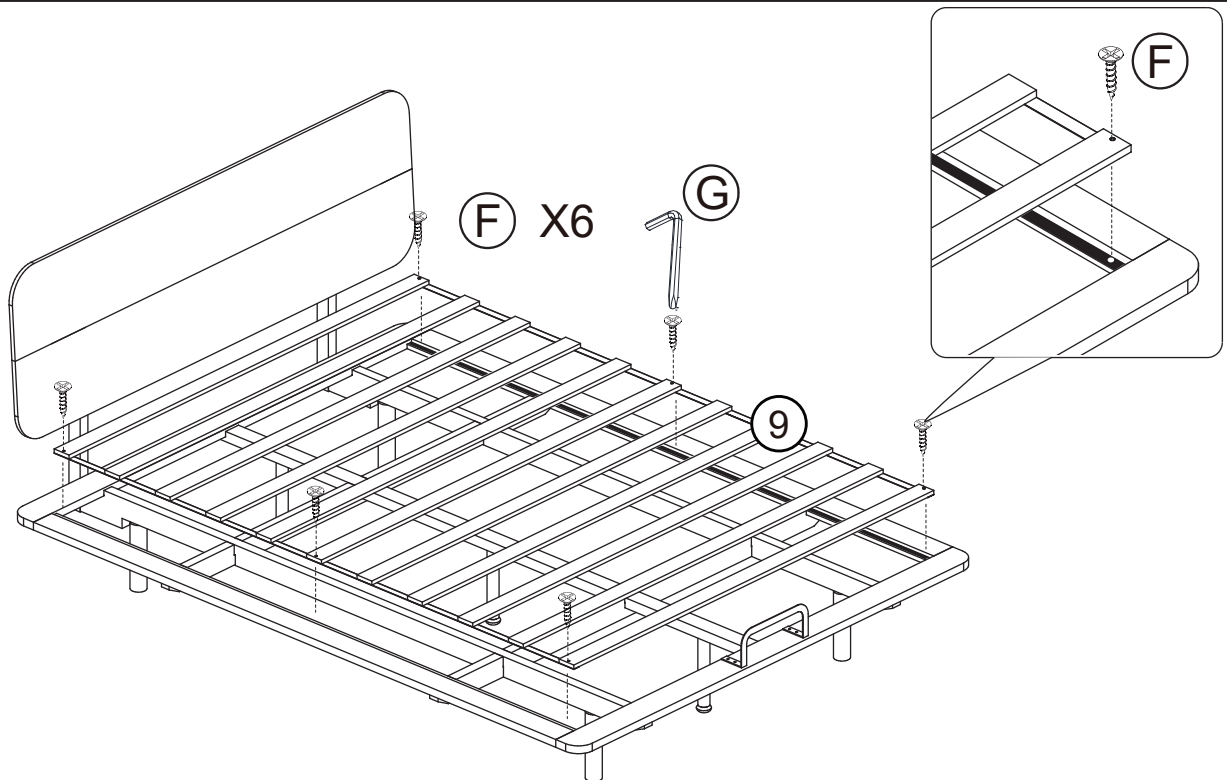
# Assembly Instructions

## Step 9



<b>O</b> O x 6	<b>E</b> E x 2
<b>P</b> P x 4	<b>L</b> K x 1

## Step 10



<b>F</b> F x 6
-------------------