

INSTALLATION INSTRUCTIONS

ITEM#CT-L09BK

2-LIGHTS FLUSH MOUNT 120V No Dimmable

Please read carefully and save these instructions, as you may need them at a later date.

READ AND FOLLOW SAFETY INFORMATION

CAUTION - Turn off the main power at the circuit breaker before installing and servicing the fixture to prevent possible injury from electric shock. All electrical connections must be in accordance with local and National Electrical Code (N.E.C.) standards. If you are unfamiliar with proper electrical wiring connections, obtain the services of a qualified electrician.

INSTALLATION AND ASSEMBLY

1. Thread one Hex Nut onto the top end of the Nipple (3). and then thread the Nipple (3) into the center lock hole of the Crossbar (2). Using pliers, thread the Hex Nut against the Crossbar (2) and hand tighten until snug. as shown in Fig.1

2. Pull the power supply wires out from the outlet box (1). Attach the crossbar (2) to the outlet box(1) using outlet box screws(4)

3. Connect the electrical wires as shown in Fig.2

4. After wires are connected, tuck them carefully inside the outlet box. Position canopy over the outlet box and Nipple (3) through the center holes of the canopy until they protrude out from the back plate approximately 1/4" and secure using decorative nuts(7).

5. Install bulb (8)(Max.60W) not included in accordance with the fixture specification

6. Place glass Shade (9) into the shade frame and by glass shade screws (9) fix it one by one, Hand tighten until snug.

Fig.1

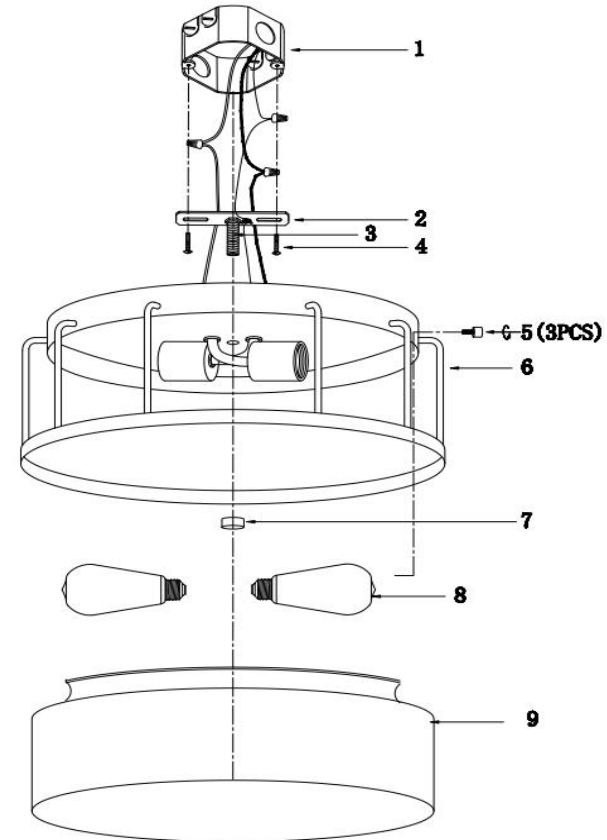


Fig.2

- 1.Outlet box(not included)
- 2.Crossbar
- 3.Nipple
- 4.Outlet box screws
- 5.Glass shade screws
- 6.Fixture frame
- 7.Decorative Nuts
- 8.Bulb (not included)
- 9.Glass shade
- 9.Glass shade screws

