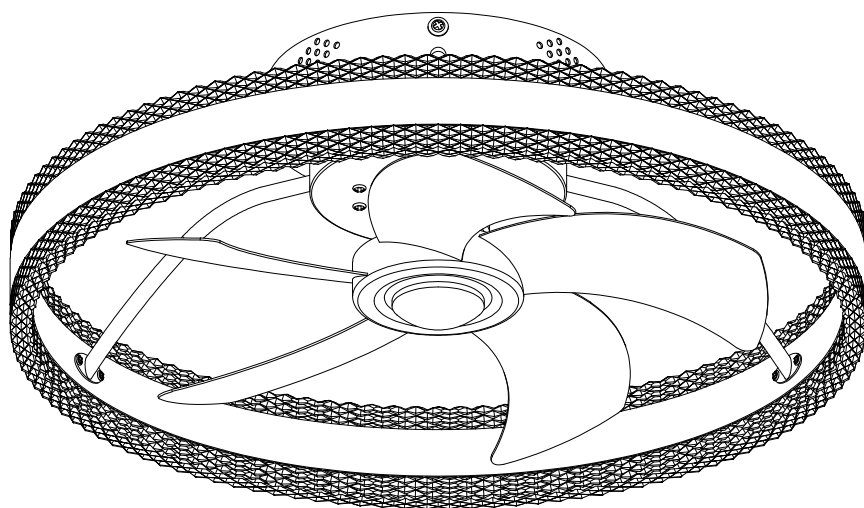


INSTALLATION MANUAL

CEILING FAN WITH LIGHTS

Model No.: CFL-1215-01



TOOLS REQUIRED



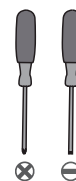
Ladder



Pliers



Wire
Strippers



Screwdrivers



Scan for Installation Video


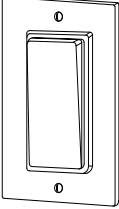

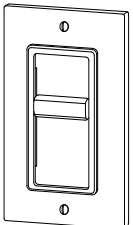
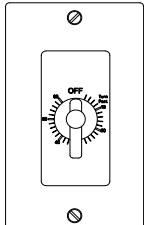
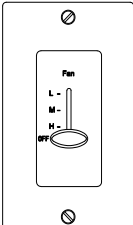
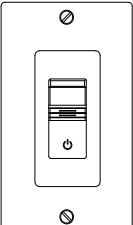


APP Control Applicable

Switch Selection

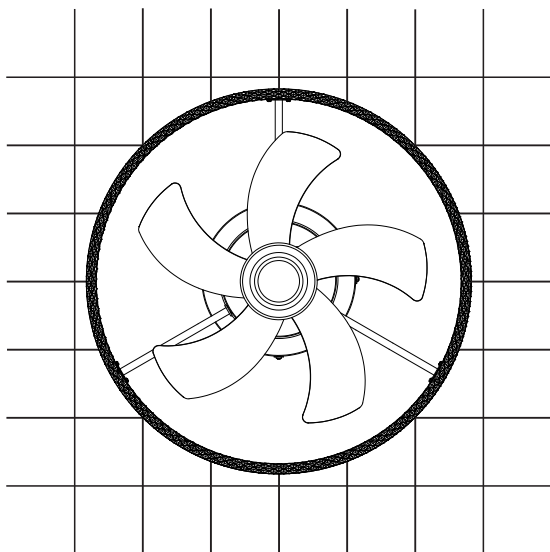
Note: Using a dimmer switch to control the fan may damage the fan. To reduce the risk of fire or electrical shock, do not use a dimmer switch to control the fan.

The recommended switches are as follows:

 Recommended:	 Single Pole Switch (Not Included)			
 Not Recommended:	 Dimmer Switch	 Timer Switch	 Fan Speed Control Switch	 Motion Sensor Switch

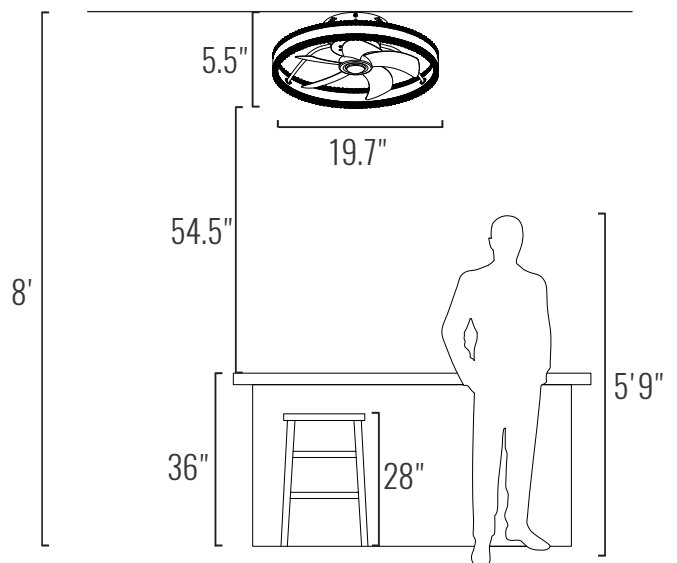
Installation Recommended

Room Size:



UP TO 8.5 ft x 8.5 ft

Room Height:



Recommended ceiling height: 7 to 10 ft.

Safety Rules

1. Be sure the power to the wires you are working on is disconnected, either the fuse is removed or the circuit breaker is turned off. Turning the power off using the light switch is not sufficient to prevent electrical shock.
2. A qualified licensed electrician is required for the installation.
3. The outlet box and support structure must be securely mounted and capable of reliably /supporting a minimum of 70 pounds. Use only UL (cUL for Canadian Installation) listed mounting boxes marked "FOR FAN SUPPORT".
4. The fan must be mounted with a minimum of 7 feet clearance from the trailing edge of the blades to the floor.
5. Do not operate reversing switch while fan blades are in motion (if applicable). Fan must be turned off and blades stopped before reversing blade direction.
6. Do not place any objects in the path of the blades.
7. To avoid personal injury or damage to the fan and other items, be cautious when working around or cleaning the fan.
8. Do not use water or detergents when cleaning the fan or fan blades. A dry dust cloth or lightly dampened soft cloth will be suitable for the cleaning.
9. After marking electrical connections, spliced conductors should be turned upward and pushed carefully up into outlet box. The wires should be spread apart with the grounded conductor on one side of the outlet box.
10. Electrical diagrams are reference only, different fan light may have different light shade and bulbs.
11. Use only our replacement parts. This equipment has been tested and found to comply with the limits for a class B digital device, pursuant to part 15 of the FCC Rules. These limits are to provide reasonable protection against harmful interference in a residential installation. This equipment generates, uses and can radiate radio frequency energy and if not installed and used in accordance with the instructions may cause harmful interference to radio communications.

Warning:

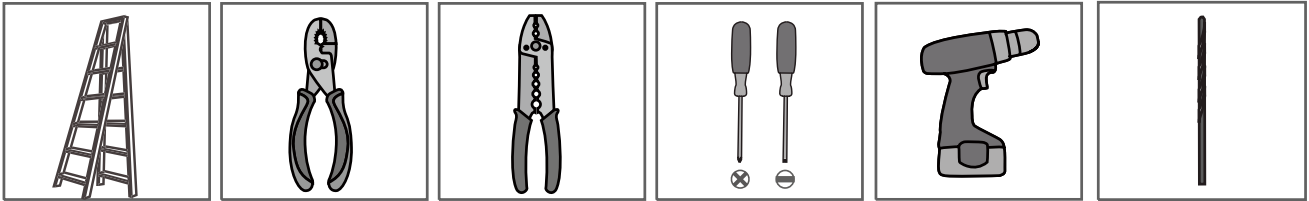
To reduce the risk of personal injury, use only the two steel screws and washers provided with the outlet box for mounting to the outlet box. Most outlet boxes commonly used for the support of lighting fixtures are not acceptable for fan support and need to be replaced, consult a qualified electrician if in doubt.

To reduce the risk of fire, electric shock or person injury, mount fan to outlet box marked "acceptable for fan support".

To reduce the risk of personal injury, do not bend the blade brackets (also referred to as flanges) during assembly or after installation. Do not insert objects in the path of the blades.

Installation Preparation

Tools You Need



Ladder

Pliers

Wire Strippers

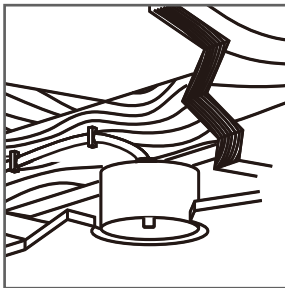
Screwdrivers

Power Drill
(optional)

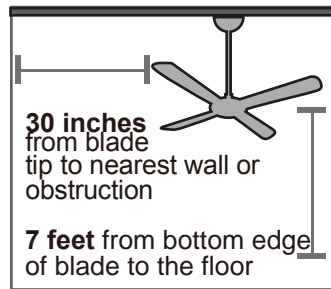
Drill Bit
(optional)

If mounting to a support structure, you will also need the optional tools.

What to Expect with Your Installation



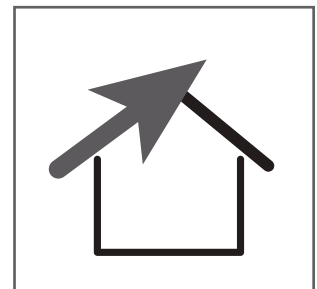
Must be able to secure the fan to building structure or fanrated outlet box



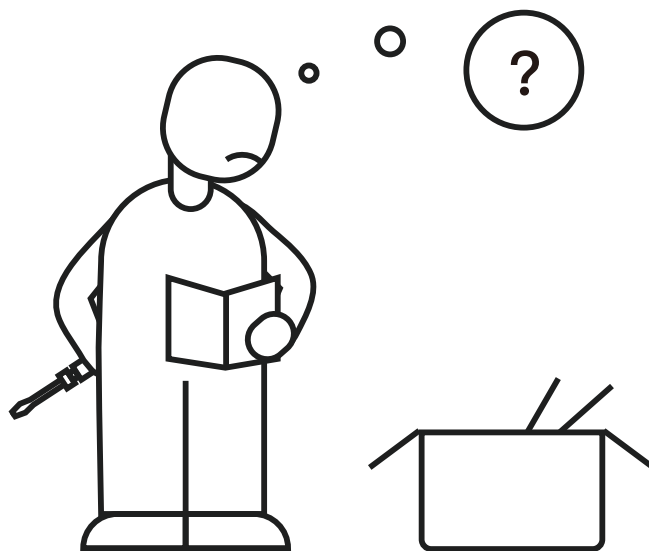
Assess location



Check the box to see the weight of the fan



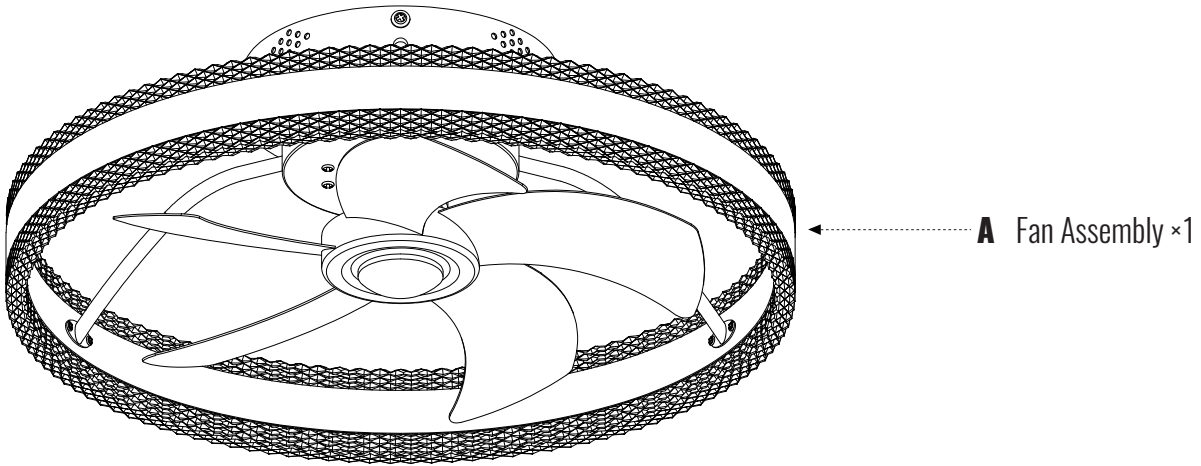
Not applicable for angled ceiling













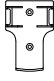

Please contact us with following information:

1. Screen shot of your order page, including product picture, name and order ID number.
2. Problem details with pictures / short video if possible.

PACKING LIST



INSTALLATION KIT

AA  Mounting Bracket	1×	BB  Wire Nut	3×	CC  Outlet Box Screw	2×	DD  Long Wood Screw	4×	EE  Long Plastic Anchor	4×	FF  "S" Hook	1×
GG  Canopy Screw	4×	HH  Short Wood Screw	2×	II  Short Plastic Anchor	2×	JJ  Remote Control	1×	KK  Remote Holder	1×	LL  Pair of Gloves	1×

NOTE:

1. The listed quantity is for installation, extra hardware may be included.
2. The mounting bracket (AA) and canopy screws (GG) are pre-installed on the fan assembly (A). Refer to Fig. 1 in the 'Install the Mounting Bracket' section for reference.

INSTALLATION

1. Install the Mounting Bracket

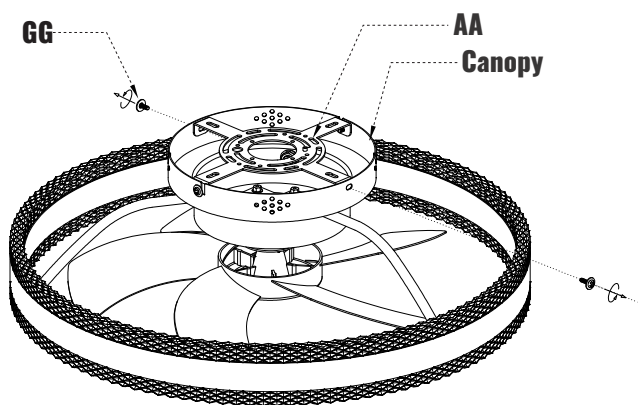


Fig. 1

Step 1: Loosen and remove the canopy screws (GG) from the round holes, and loosen the canopy screws (GG) in the 'L' holes but do not remove them, and then remove the mounting bracket (AA) from the canopy.

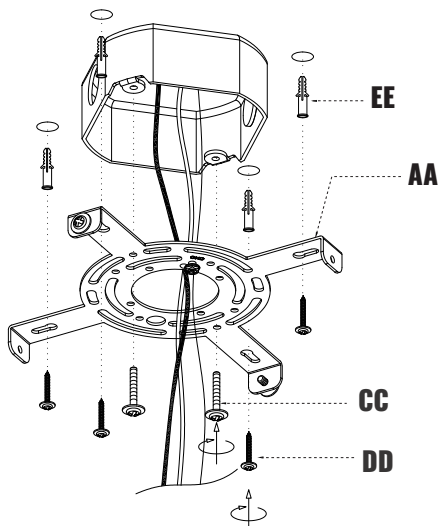
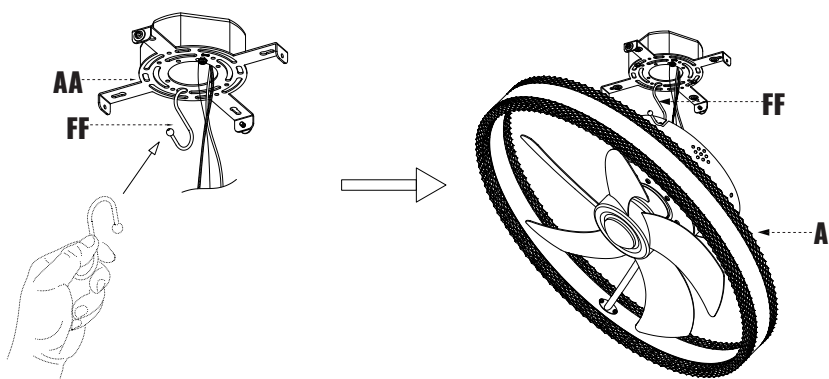


Fig. 2

Step 2: Mark and drill screw holes in the ceiling, then insert the long plastic anchors (EE).

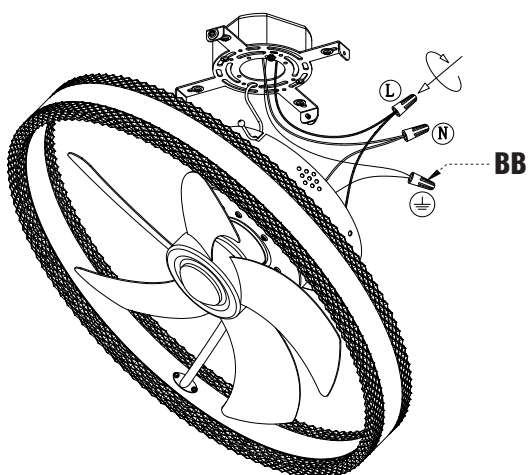
Step 3: Use outlet box screws (CC) to fix the mounting bracket (AA) to the outlet box, and then tighten it with long wood screws (DD).

2. Hang the Fan



Hang the fixture onto the mounting bracket (AA) with "S" hook (FF) provided.

3. Connect the Wires



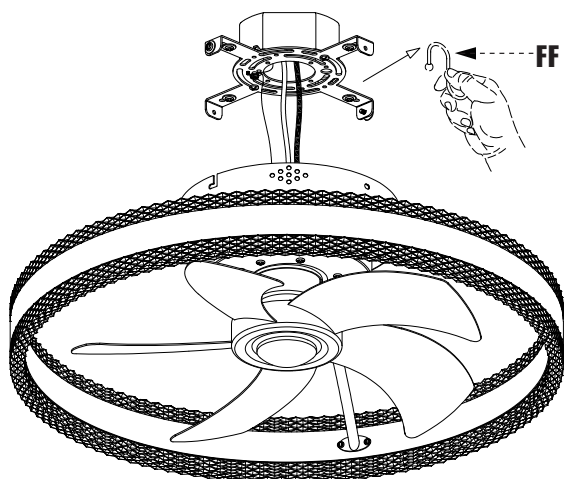
Step 1: Connect the wires from the fan to the house supply wires with wire nuts (BB), ground wire (green, green/yellow, or bare copper) to ground wire, neutral wire (white) to neutral wire, and hot wire (black) to hot wire. Wrap the connection with electrical tape.

Step 2: Spread apart the wires so that the hot wires are on one side of the outlet box and the neutral wires are on the other side.

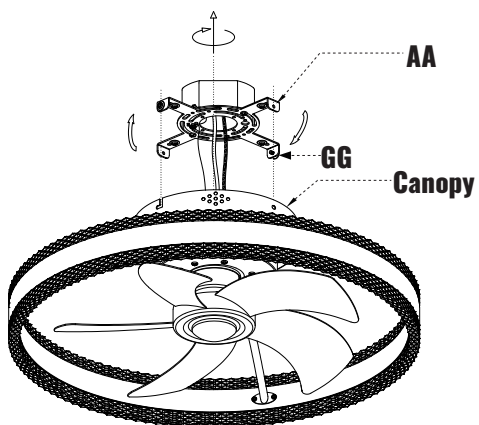
Note:

This fan only needs one set of input wires (black, white, and ground wire). Both of the fan and lights will be controlled by the remote controller. This fan can only be connected to an on/off switch if you have one, not a dimmer switch.

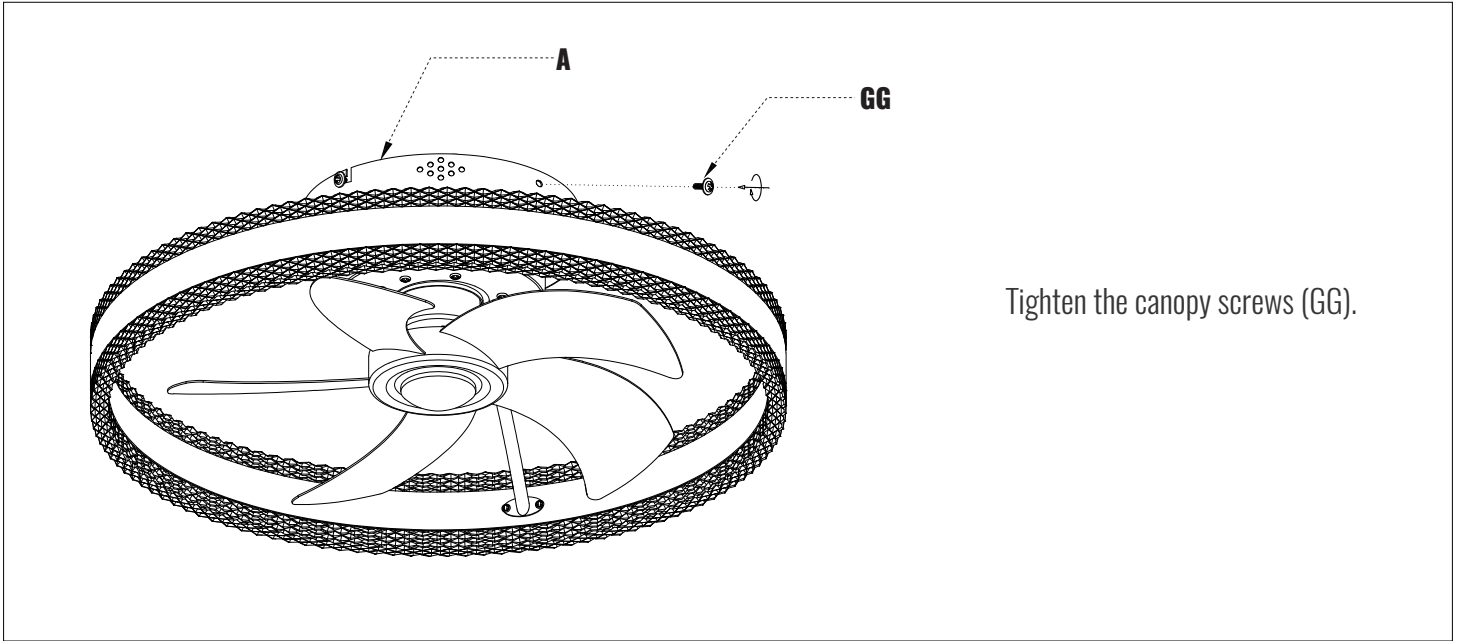
4. Attach the Canopy



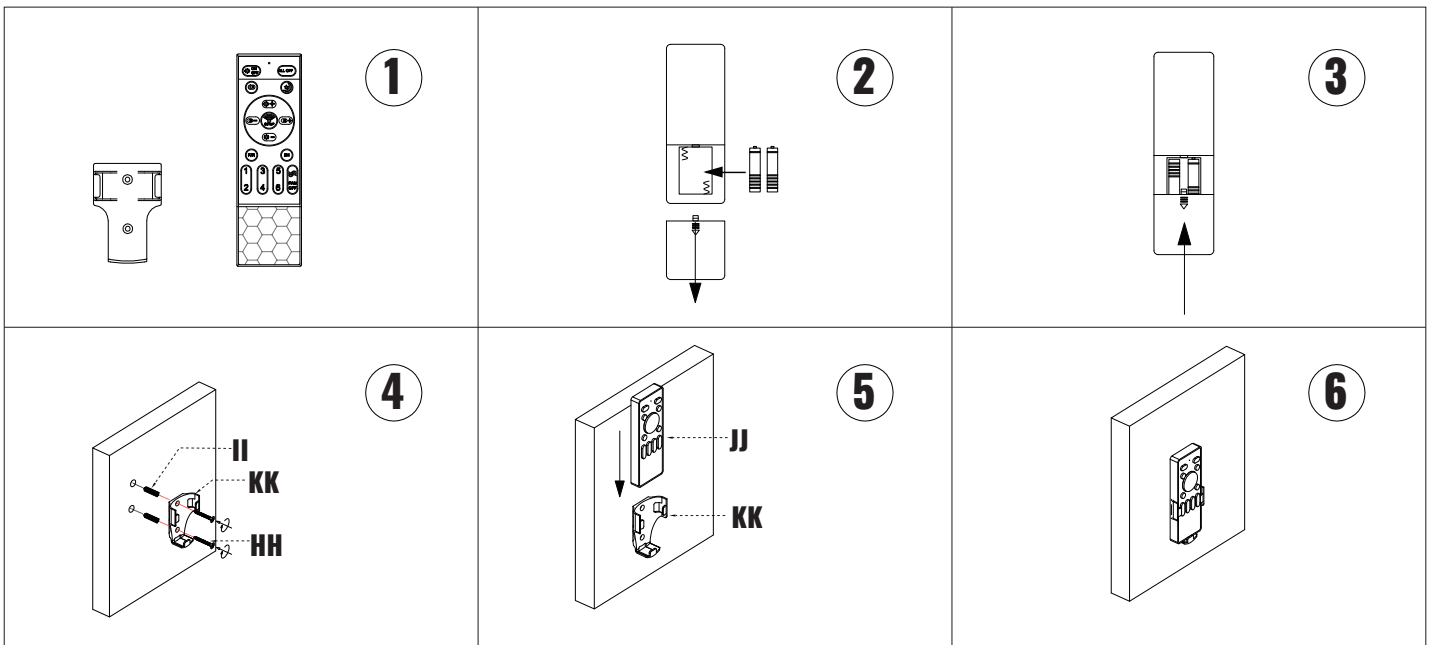
Take away the "S" hook (FF).



Align the "L" slots from the canopy to the canopy screws (GG) on the mounting bracket (AA), rotate the canopy to lock it onto the mounting bracket (AA).

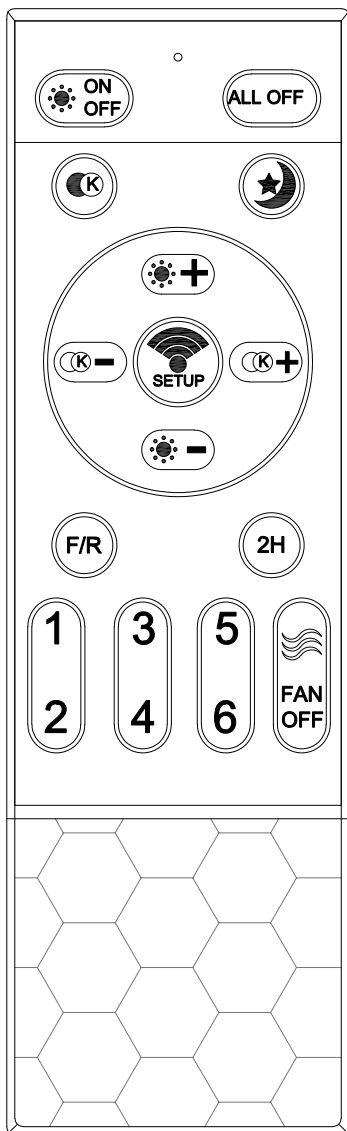


5. Install the Remote Holder



1. Insert 2 batteries before using: AAA 1.5V battery x 2pcs (not included).
2. Mark and drill screw holes in the wall, then insert the short plastic anchors (II).
3. Use short wood screws (HH) to fix the remote holder (KK) onto the wall.

REMOTE CONTROL INSTRUCTIONS



	Turn off fan and light.
	Turn on/off the light.
	Quick switch of the light color: Yellow Light → White Light → Natural Light
	Adjust the brightness of the light.
	Adjust the light color temperature.
	Night mode, lights will be dimmed when press this button.
	Fan speeds 1 through 6.
	Fan moves forwards or reversely.
	Natural Wind Mode: Fan speed automatically adjusts.
	Turn off the fan.
	Timing for 2 hours for the fan.
	Remote signal pairing.

NOTE:

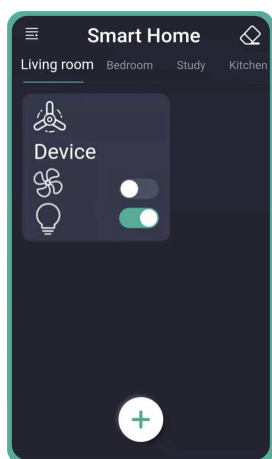
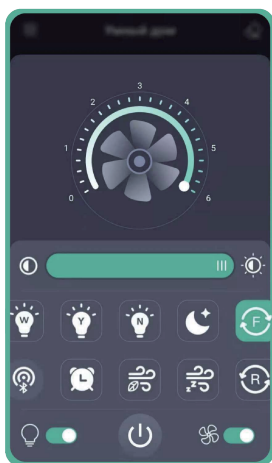
Please insert 2 batteries before using. AAA 1.5V battery x 2pcs (not included).

Remote Signal Pairing:

If the remote control loses the signal from the fan, press and hold the button right after the fan is powered on from the wall switch. After the fan flashes or beeps, it means the pairing has been successful.

APP CONTROL INSTRUCTIONS

Install the "FanLamp Pro" app from Google Play, Apple App Store, or other app stores by scanning the QR code or searching for the app name. Ensure that your phone is connected to the internet and Bluetooth enabled.



	Pairing: Click the Pair button within 5 seconds after turning on the fan from the wall switch. Once the fan flashes or beeps, it has been successfully paired with your phone and can now be controlled through the app.
	Turn on/off the light.
	Quick switch for "White" light color.
	Quick switch for "Yellow" light color.
	Quick switch for "Natural" light color.
	Night mode: Dim the lights.
	Slide the slider to change the brightness of the light.
	Slide the slider to change the fan speed.
	Fan moves forward.
	Fan moves reversely.
	Change the direction of the wind. (Not supported)
	Timing the fan.
	Natural wind: The fan speed will change automatically when you use this function
	Sleeping wind. (Not supported)
	Turn on/off the fan.
	Unpairing: Click the unpair button within 5 seconds after turning on the fan. Once the fan flashes or beeps, it has been successfully unpaired from your phone.

Trouble Shooting

1. Fan doesn't work

- Make sure the fixture is connected to an ON/OFF wall switch, not a dimmer switch.
- Check the remote control battery (not included in this package).
- Check the circuit breaker to ensure the power is on.
- Turn off power from the circuit breaker, then loosen the canopy and check all the connections according to the wiring diagram.

2. Lights Do Not Light Up / Flicker / Noisy Operation

- Make sure the fixture is connected to an ON/OFF wall switch, not a dimmer switch.
- Check your power and switch to make sure it's powered on.

3. Noisy Operation

- Tighten the light fitting and blade bottom cover.
- Re-tighten all screws on the bracket, downrod, and fan blades (do not over tighten).
- Check to see if any of the blades are cracked. If so, replace all of the blades.

4. Remote does not work

- Make sure the battery is installed correctly.
- Pair the remote control again (See page 9).
- Install 2 new batteries.

Clean And Care

To clean, wipe the fixture with a soft cloth. Spraying from chemical cleaners can discolor the finish of the fixture. Do not use scouring pads, powders, steel wool, or abrasive paper to clean this fixture.

Ordering Parts

Keep this manual for future reference, and in case replacement parts are needed. Available parts can be ordered from the place of purchase. Use exact wording from diagrams when ordering parts.