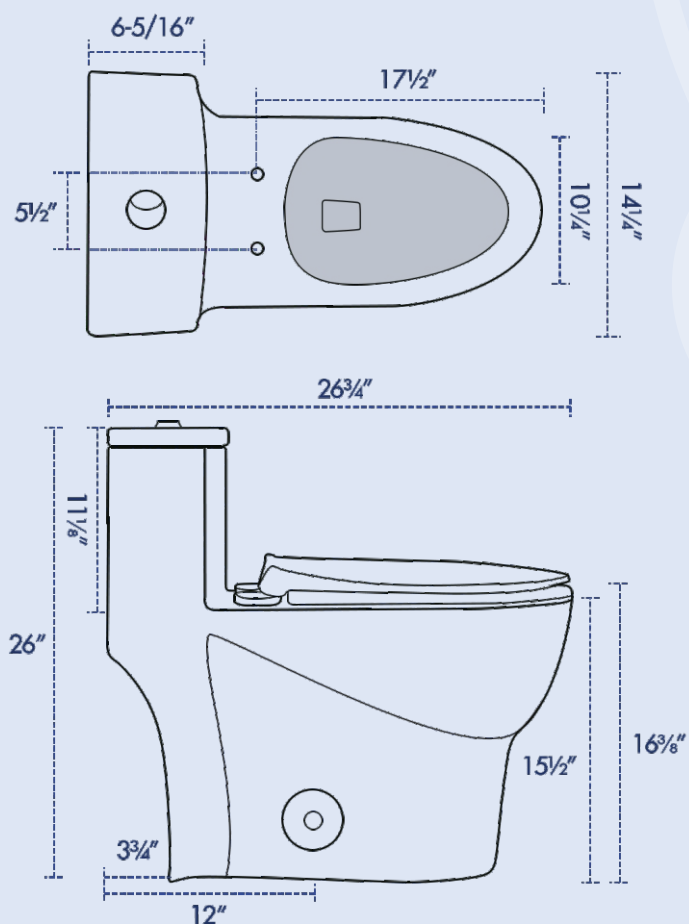




SPECIFICATIONS

- Dimensions: 26³/₄"L x 14¹/₄"W x 26"H
- Seat Height: 16³/₈"H
- Rough-In: 12"



FEATURES

- Solid vitreous china construction
- Fully glazed, non-porous finish
- Easy-to-clean, skirted design
- Quick-release, soft-close seat
- Siphon dual flush, 1.1/1.6 GPF
- Space-saving, compact profile

INSTALLATION

- Floor Mounted

PARTS INCLUDED

- One-Piece Toilet
- Fill & Flush Valve Kit
- Toilet Seat
- Tank Lid
- Wax Ring Gasket
- Mounting Bolts
- Side Covers

CODES & STANDARDS

- Meets & exceeds ASME A112.19.2/ CSA B45.1, ASME A112.19.14
- IAPMO(cUPC), EPA WaterSense Certified
- Compliant with UPC, IPC, NSPC, NPC Canada & others
- Compliant with CA Prop 65 warning requirements

COLORS & FINISHES

-  White