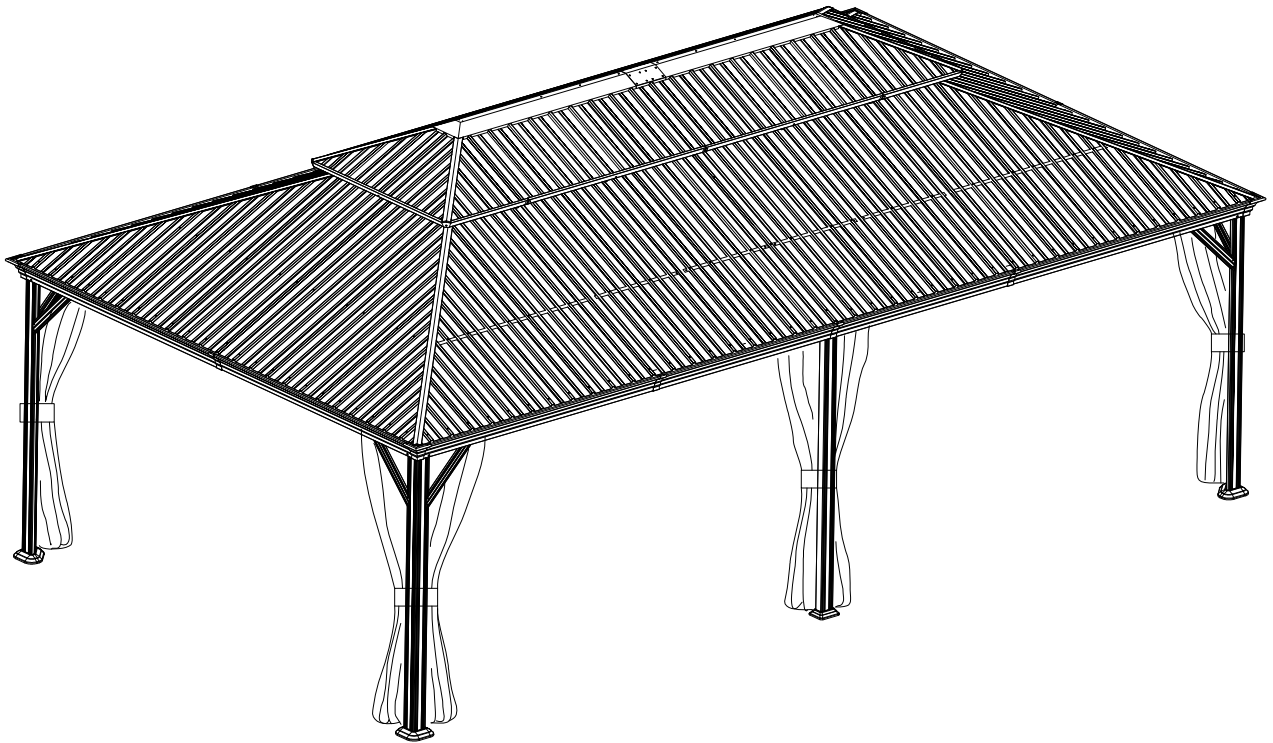




14' × 24' HARDTOP GAZEBO WITH DOUBLE ROOF ASSEMBLY MANUAL



MODEL#: LGMF1692

Missing part? Damaged? Contact us via email at

service@domioutdoorliving.com

Pre-assembly



1. Two or more people are required for assembly.



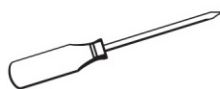
2. You will need one or more stepladders.



3. Wearing protective gloves is recommended.



4. You may need a safety hat.



5. Please use a Phillips screw driver.



6. For ease of construction, you may need a drill.



7. You may need a safety goggle.



8. Do not fully tighten screws prior to complete assembly.

Warning & Attention

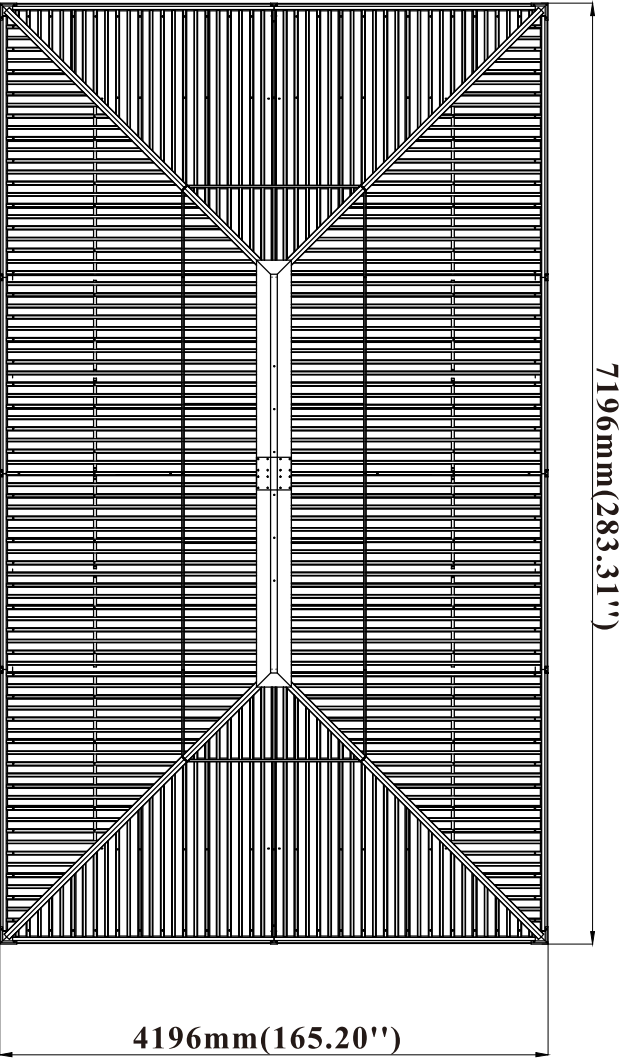
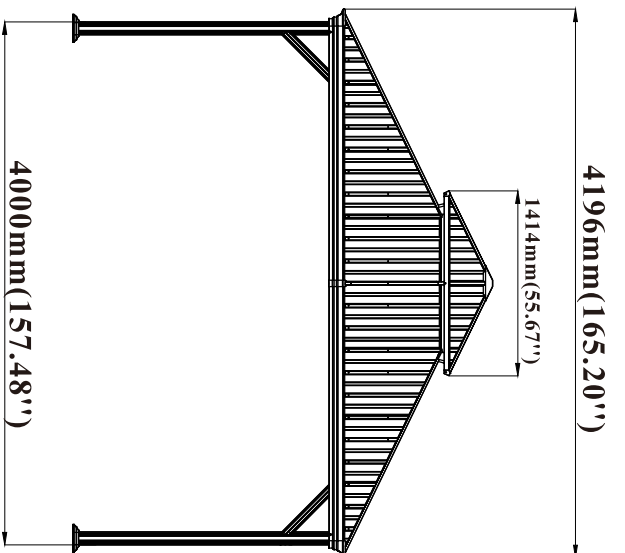
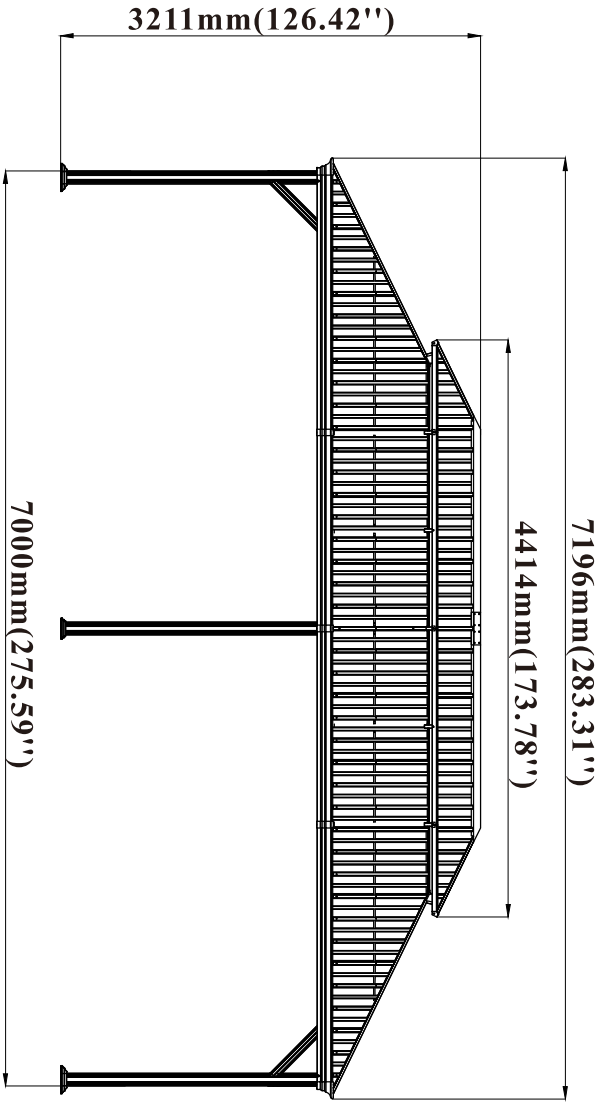
-Try to assemble this product on the flat ground, otherwise it is difficult to carry out;

-It would be much easier to assemble the product with three or more people;

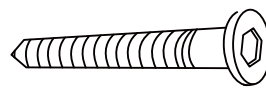
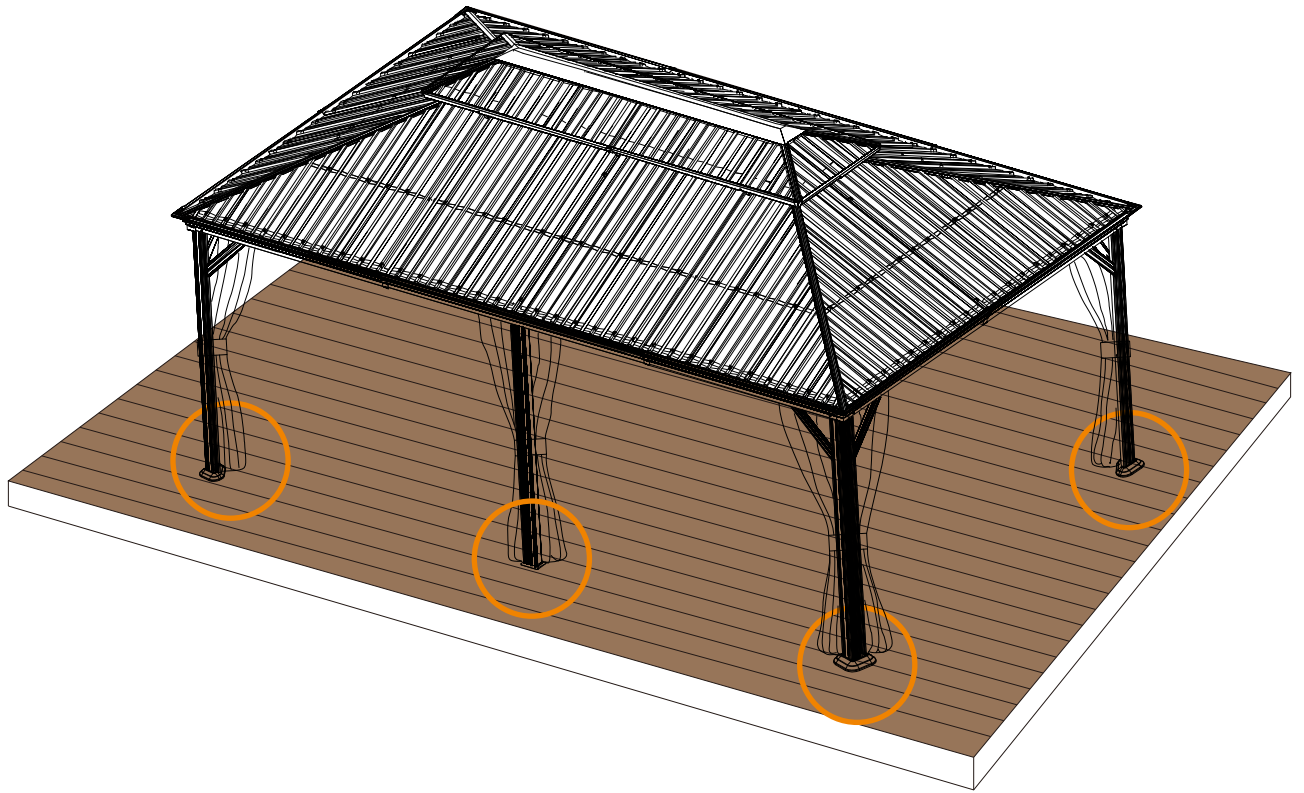
-After assembly, please check whether all screws are tightened, to prevent parts from falling apart.

▲ Use bolts to secure the frame to the ground to against the strong wind.

IMPORTANT: A gaze may entail to purchase a municipal permit or be subject to specific building codes. It is the consumer's responsibility to inform themselves of any restrictions.

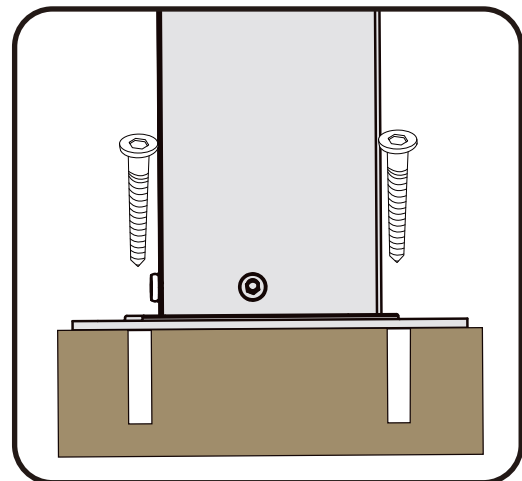
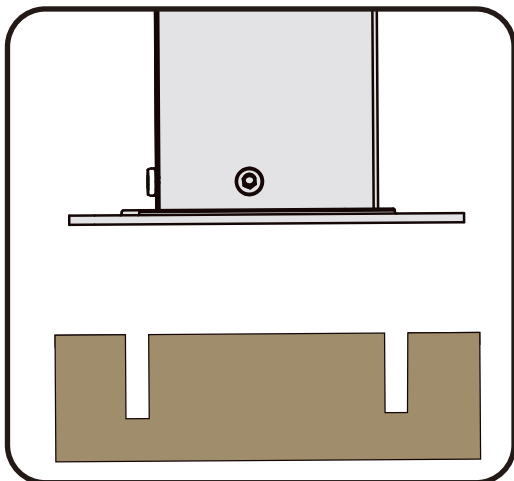


1

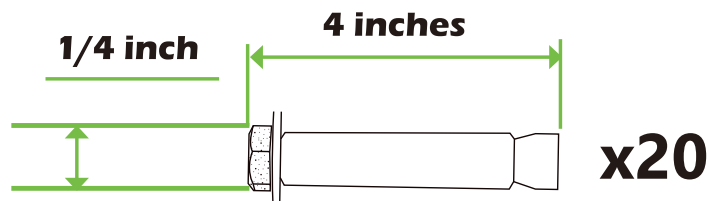
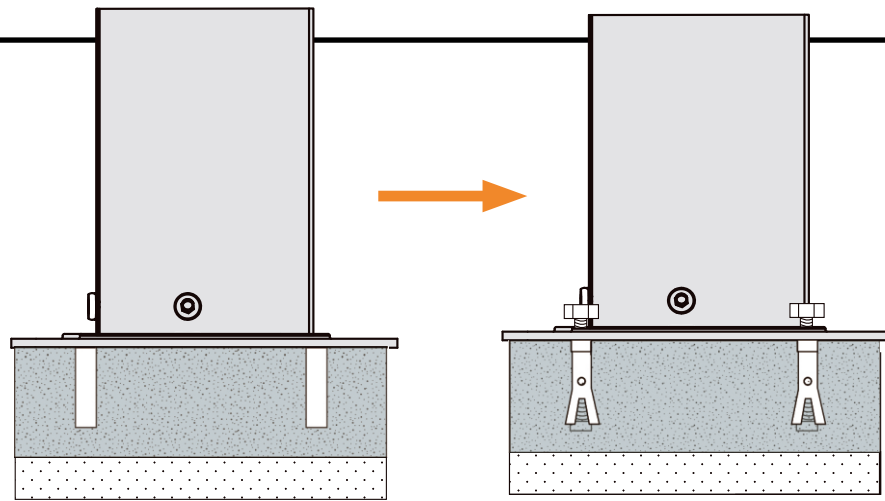


x20

If the deck is hard wood and the depth of it is over 3 inch, you can use **5/16 in. x4 in. Structural Wood Screw** to mount the gazebo.

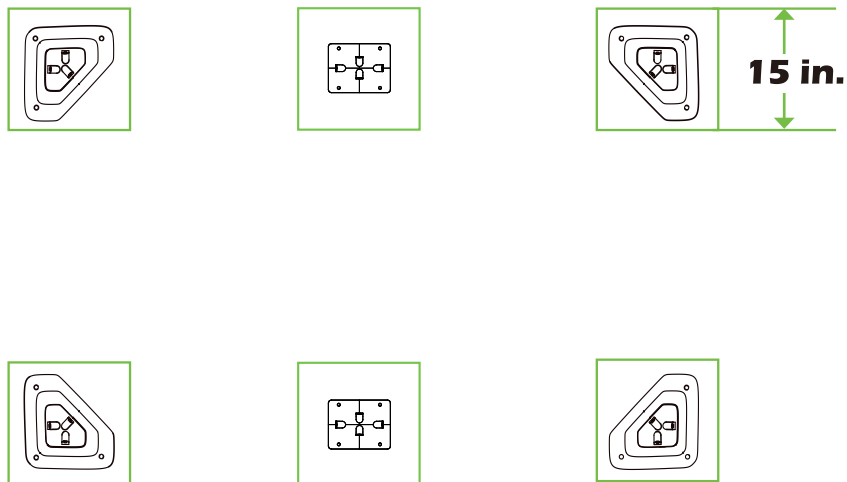


2



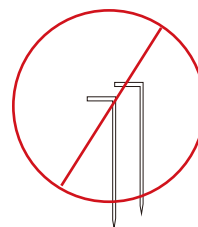
If the ground is concreted and the depth of it is over 3 inch, you can use 1/4 inch expansion bolts to mount the gazebo

3



Or you can make a concrete footing for gazebo, **15×15×15 inches** is recommended. use expansion bolts to mount the pergola like ② shows.

IMPORTANT:
Anchor is not recommended





Pole

A (x4)



Sidewall Track

D1 (x4)



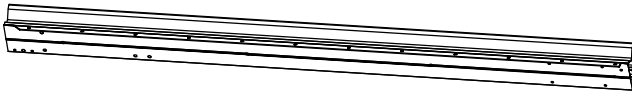
Pole

B (x2)



Sidewall Track

D2 (x2)



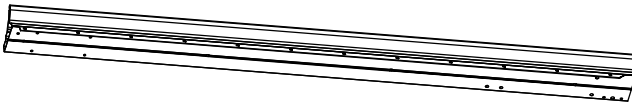
Beam

C1 (x2)



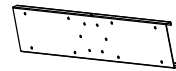
Sidewall Track

D3 (x2)



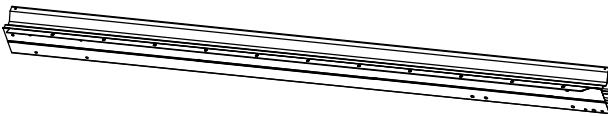
Beam

C2 (x2)



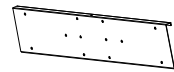
Union Bar

E (x6)



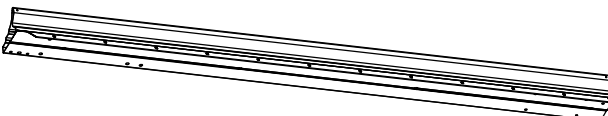
Beam

C3 (x2)



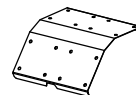
Union Bar

E0 (x2)



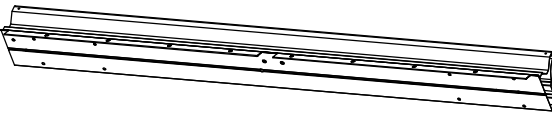
Beam

C4 (x2)



Outside Roof Cover Connector

E1 (x1)



Beam

C5 (x2)



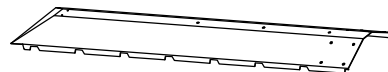
Solidifying Bar

E2 (x1)



Beam

C6 (x2)



Outside Roof Cover

E3 (x2)



Sidewall Track

D (x4)



Corner Roof Cover

F (x4)



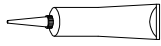
Joint Cover

G (x8)



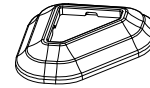
Base

K (x4)



Silicone Sealant

H (x1)



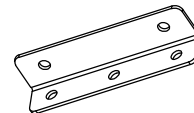
Base Cover

K1 (x4)



Corner Solidifying Bar

I1 (x4)



Bracket

K2 (x8)



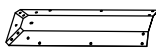
Corner Solidifying Bar

I2 (x4)



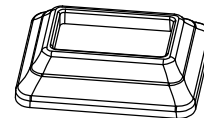
Base

K3 (x2)



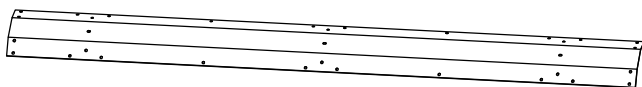
Inside Roof

J (x2)



Base Cover

K4 (x2)



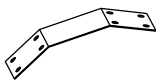
Inside Roof

J1 (x1)



Corner Roof Tube Connector

M (x4)



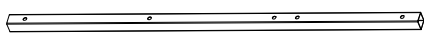
Inside Roof Cover Connector

J2 (x2)



Corner Roof Tube

M1 (x4)



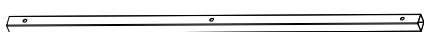
Solidifying Bar

J3 (x4)



Middle Roof Tube

N (x2)



Solidifying Bar

J4 (x4)



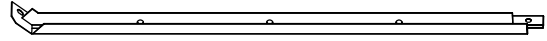
Middle Roof Tube

N1 (x8)



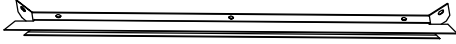
Middle Roof Tube

N2 (x2)



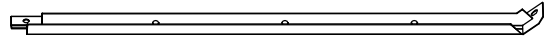
Finishing Bar

T1 (x2)



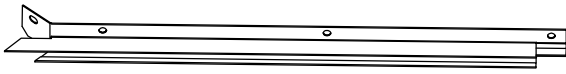
Finishing Bar

P (x2)



Finishing Bar

T2 (x2)



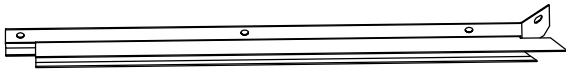
Finishing Bar

L1 (x2)



Finishing Bar

T3 (x4)



Finishing Bar

L2 (x2)



Solidifying Bar

U1 (x4)



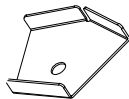
Finishing Bar

L3 (x4)



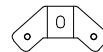
Solidifying Bar

U2 (x4)



Finishing End

Q (x8)



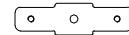
Bracket

U3 (x4)



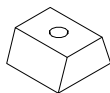
Finishing End

Q1 (x6)



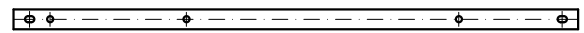
Bracket

U4 (x12)



Black Rubber

S (x196)



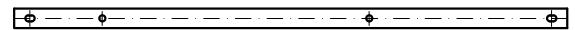
Solidifying Bar

U5 (x4)



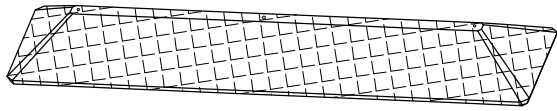
Finishing Bar

T (x2)



Solidifying Bar

U6 (x4)



Small Mesh

O (x1)



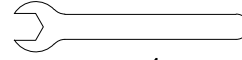
x1

Allen Key



Plastic Bar

O1 (x2)



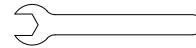
x1

Wrench



Plastic Bar

O2 (x4)



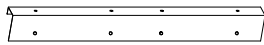
x1

Wrench



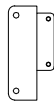
Plastic Bar

O3 (x4)



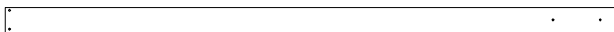
Middle Support Tube Connector

O4 (x2)



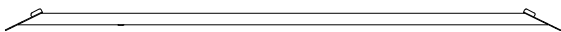
Bracket

O5 (x2)



Middle Support Tube

O6 (x2)




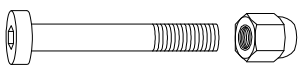

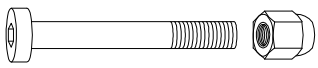
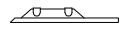
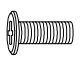

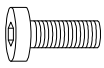
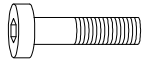
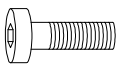
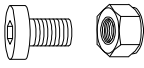

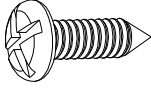
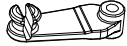
Solidifying Bar

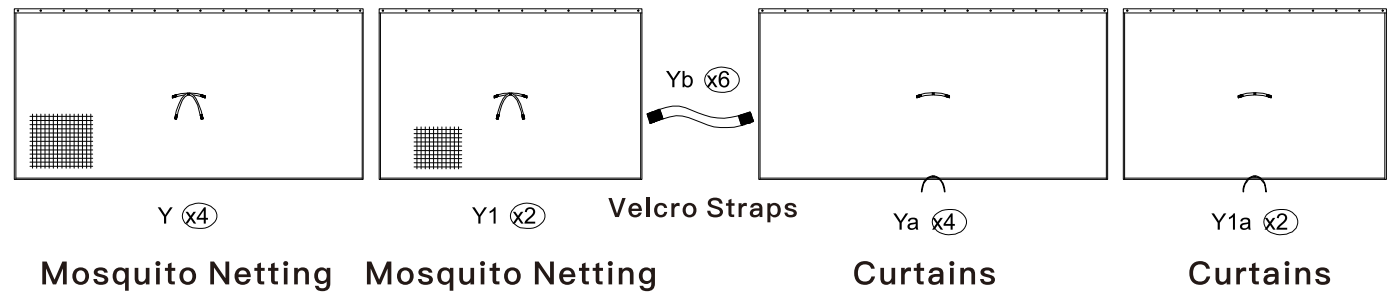
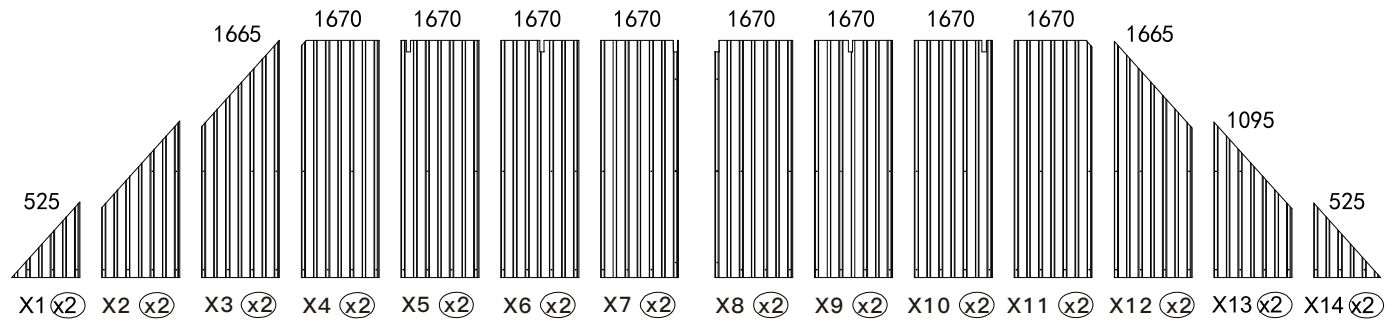
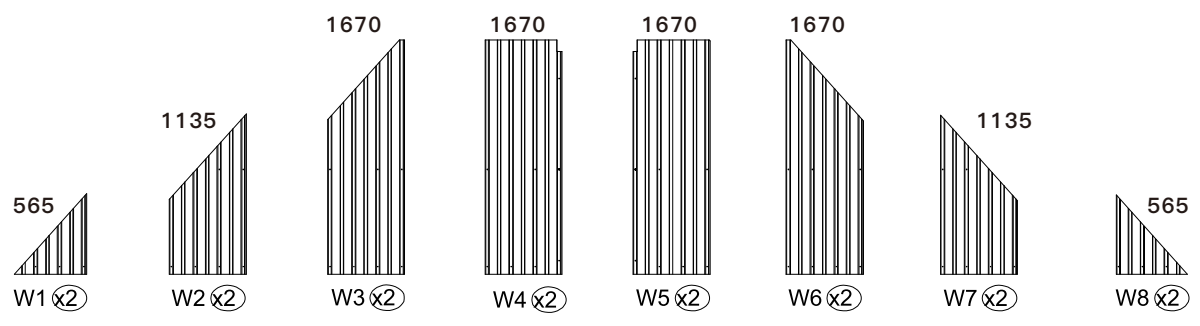
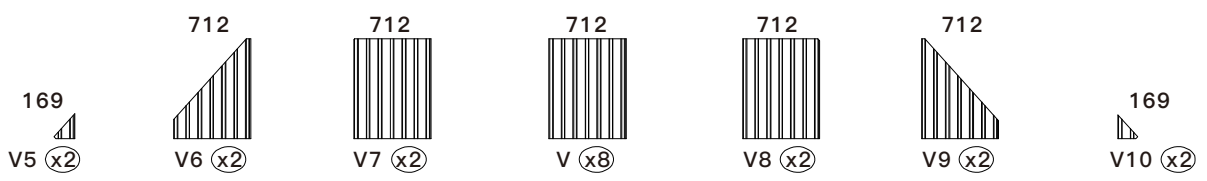
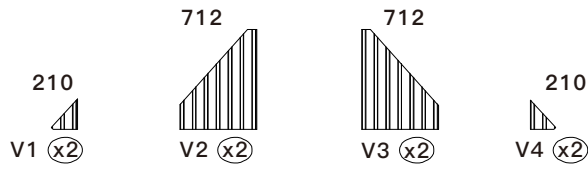
O7 (x5)



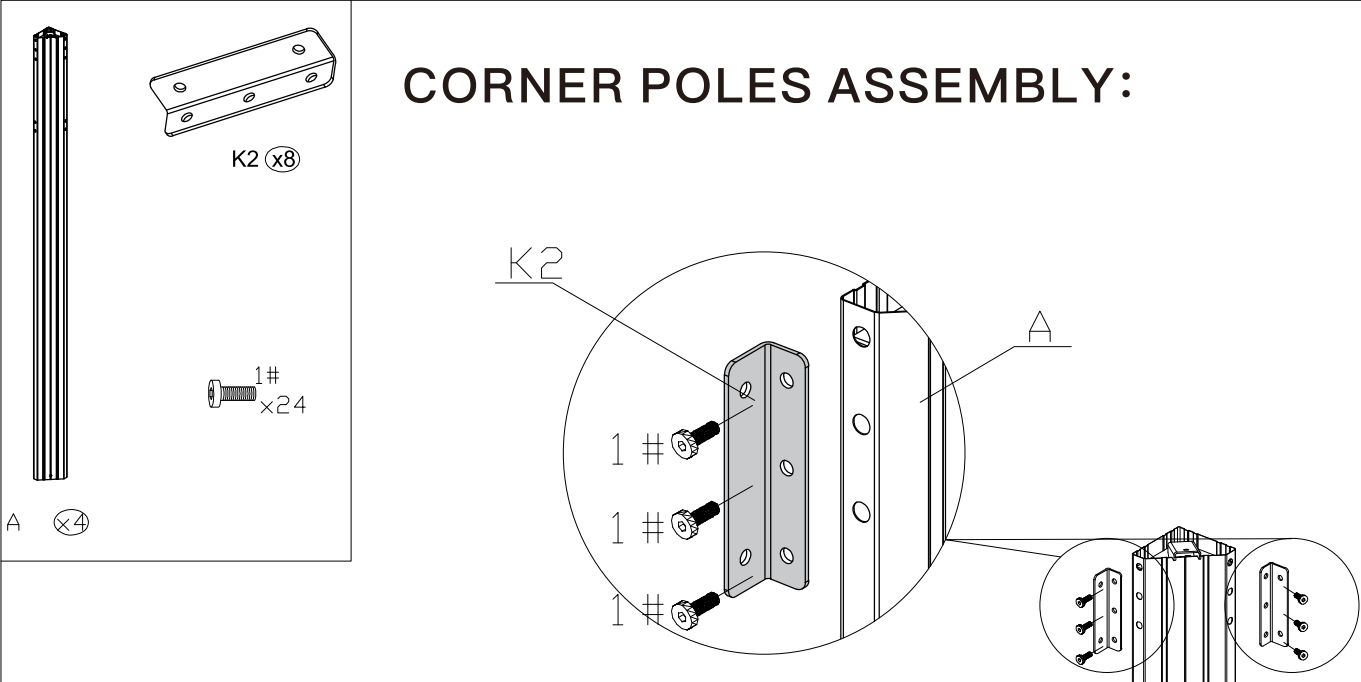
Hooks

R1 (x5)

 <p>Plastic Clips</p>	 <p>M6x28</p> <p>5# x124</p>
 <p>Plastic Clips</p>	 <p>M6x45</p> <p>6# x8</p>
 <p>Plastic Clips</p>	 <p>M6x50</p> <p>7# x60</p>
 <p>Plastic Clips</p>	 <p>M5x16</p> <p>8# x8</p>
 <p>Plastic Clips</p>	 <p>ST4.8 x13</p> <p>9# x32</p>
 <p>M6x16</p>	 <p>M6x25</p> <p>10# x4</p>
 <p>M6x20</p>	 <p>M6x12</p> <p>11# x52</p>
 <p>3# x16</p>	 <p>ST6.3*15</p> <p>12# x28</p>
 <p>Plastic Hooks</p>	<p>4# x176</p>



CORNER POLES ASSEMBLY:

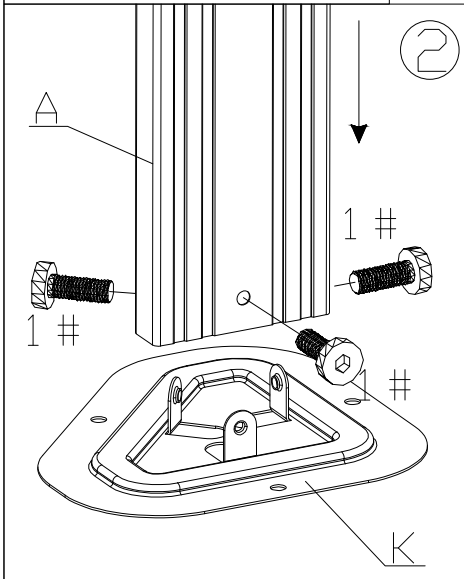
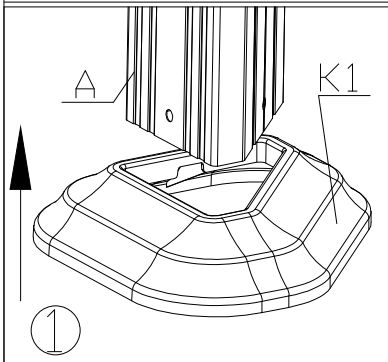
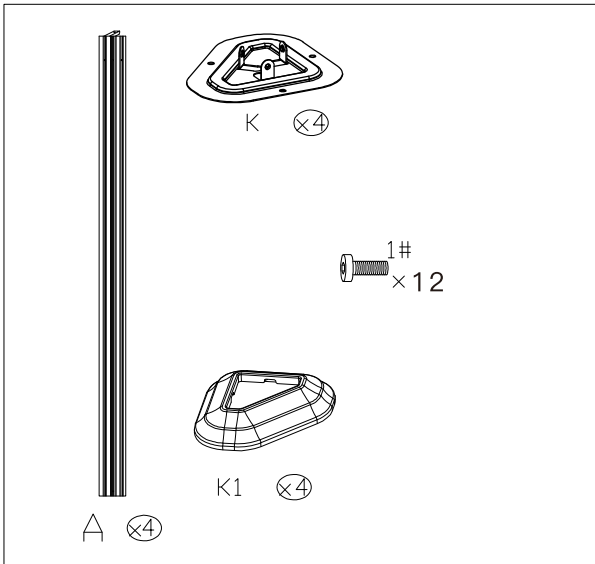


Attach Brackets #K2 to Pole #A with 6 Bolts #1.

Repeat the above procedures to assemble the other 3 Corner Poles.

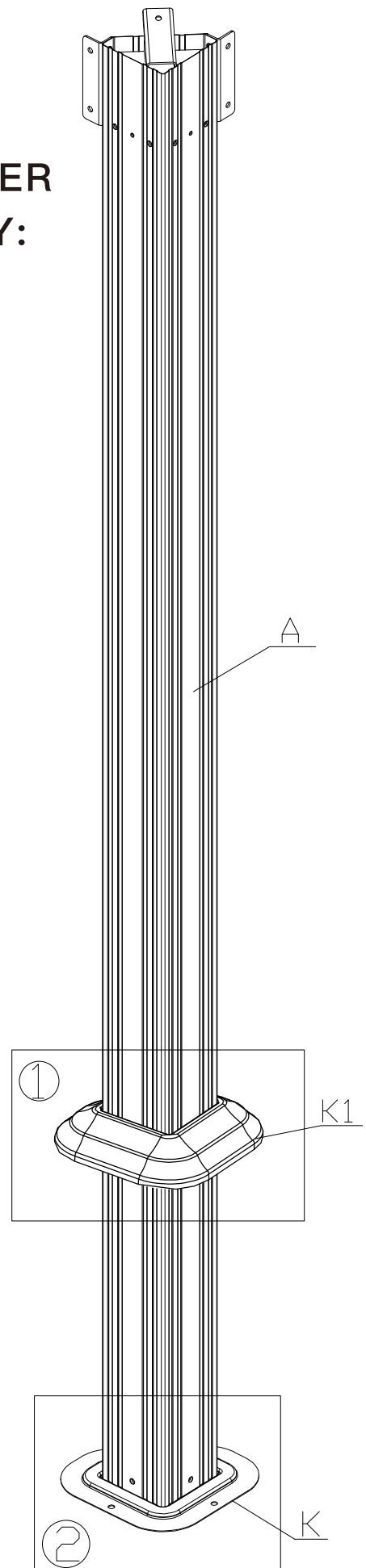
x4

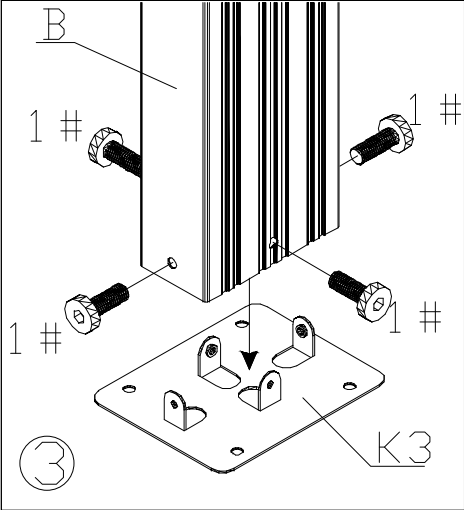
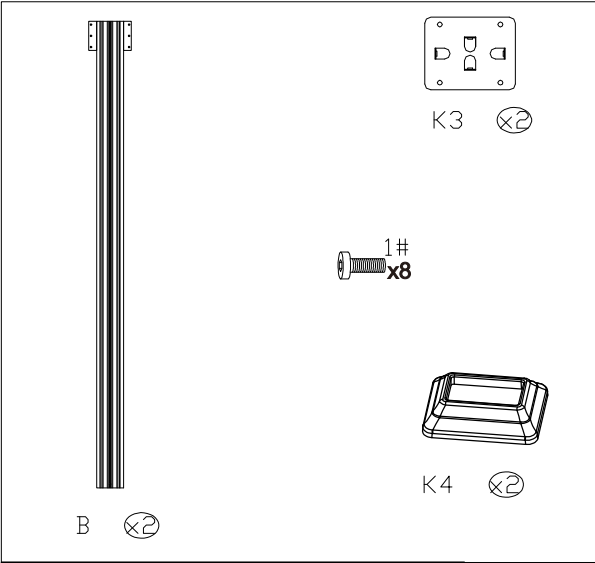
BASE COVER ASSEMBLY:



1. Put on Base Cover #K1.
2. Attach Base #K to Pole #A with 3 Bolts #1.

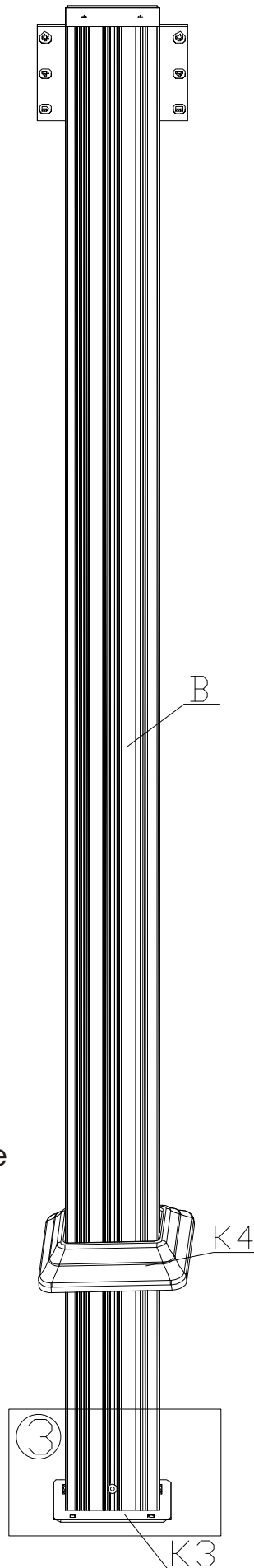
Repeat the above procedures to assemble the other 3 Corner Poles.



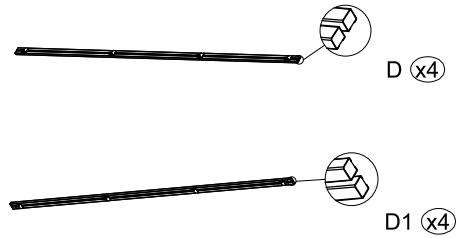


1. Put on Base Cover #K4.
2. Attach Base #K3 to the Middle Post #B with 4 Bolts #1.

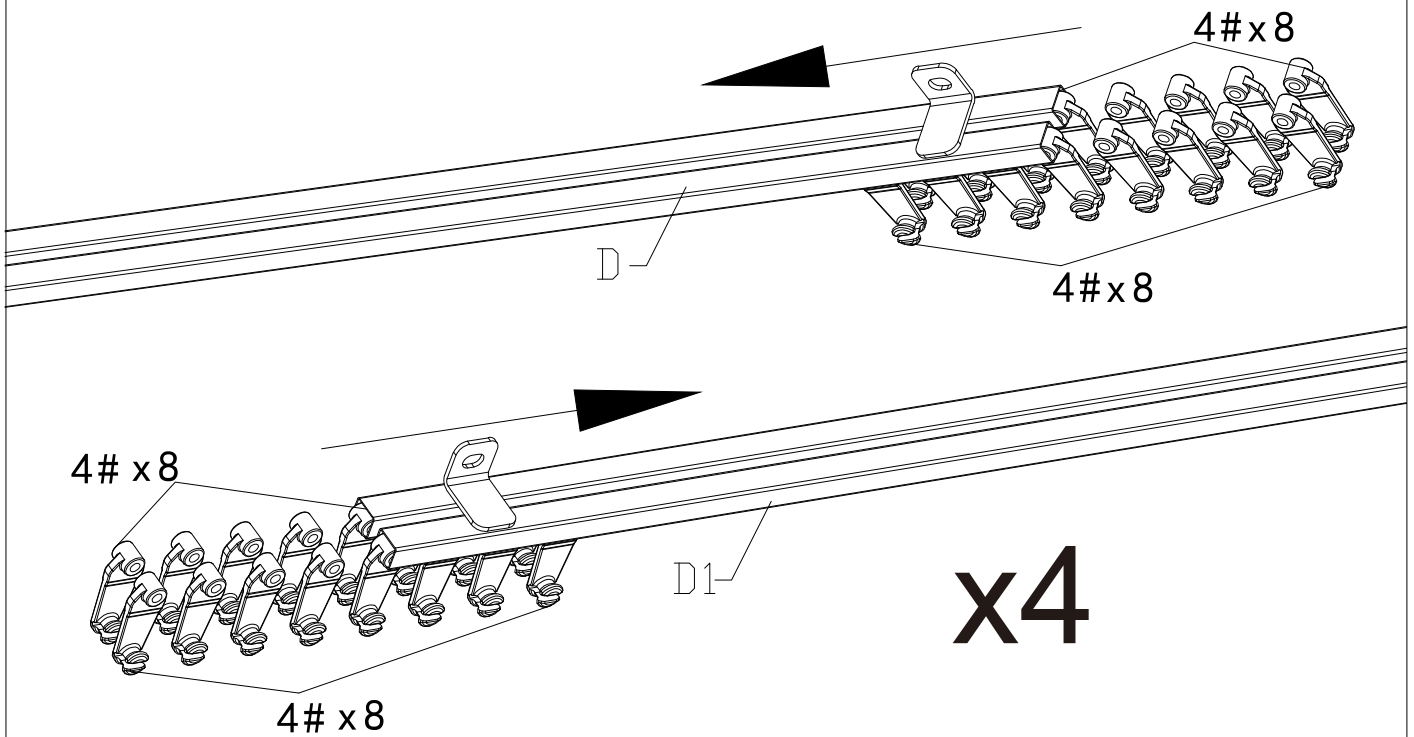
Repeat the above procedures to assemble another Pole #B.



x2



PLASTIC HOOKS ASSEMBLY:

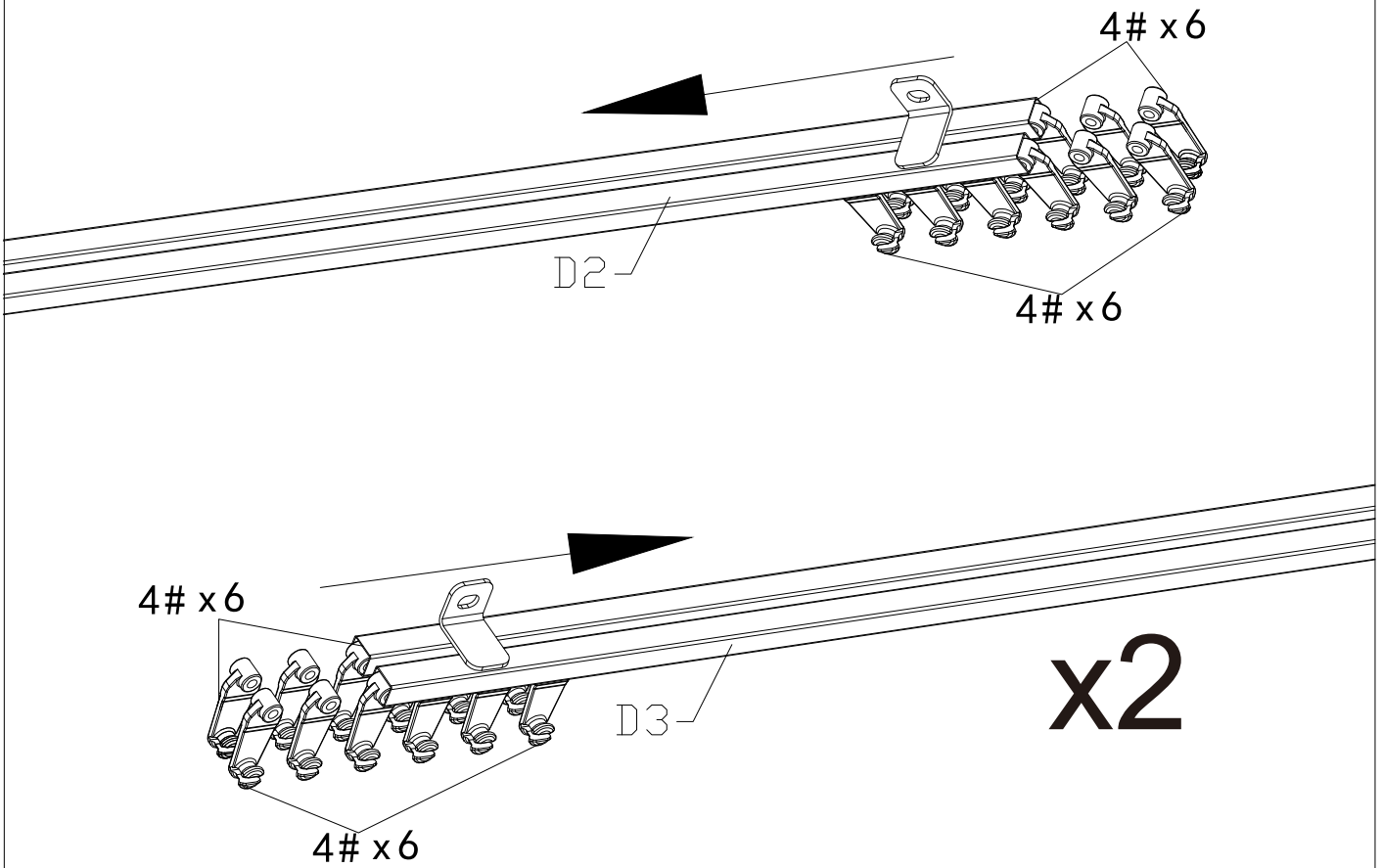
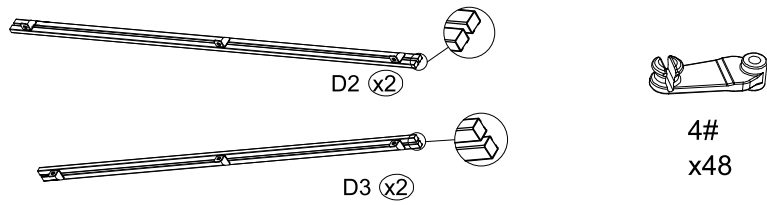


1. Slide the Plastic Hooks to the double rail track #D (Each slot should slide 8 hooks) .

Repeat the above procedure for the other tracks #D.

2. Slide the Plastic Hooks to the double rail track #D1 (Each slot should slide 8 hooks) .

Repeat the above procedure for the other tracks #D1.

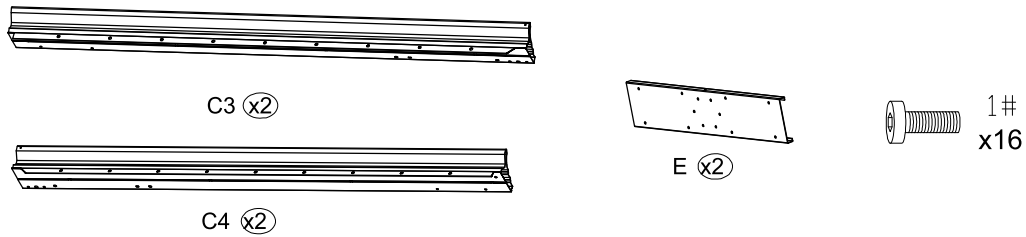


3.Slide the Plastic Hooks to the double rail track #D2 (Each slot should slide 6 hooks) .

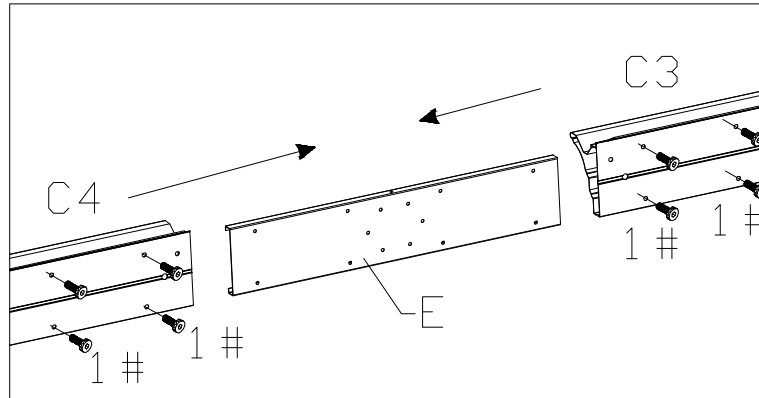
Repeat the above procedure for the other tracks #D2.

4.Slide the Plastic Hooks to the double rail track #D3 (Each slot should slide 6 hooks) .

Repeat the above procedure for the other tracks #D3.

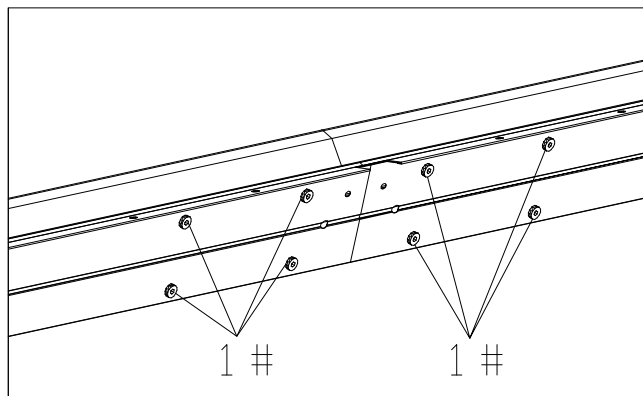


BEAM ASSEMBLY:

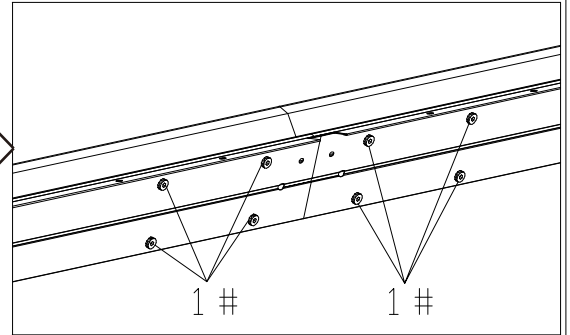
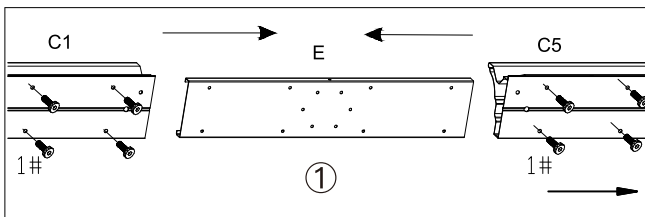
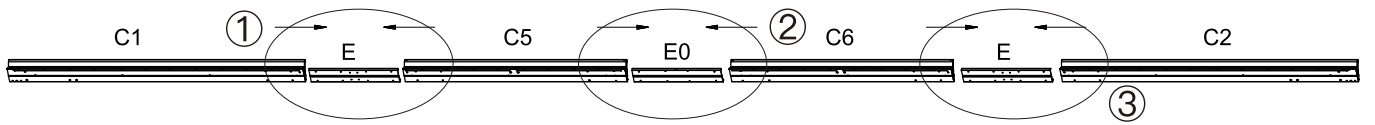
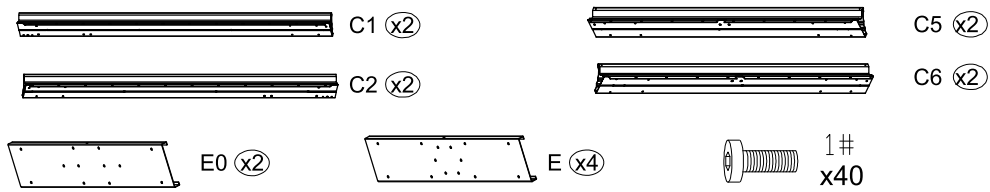


1. Insert Union Bar #E into Beam #C4, and secure with 4 Bolts #1.
2. Insert the other side of Union Bar #E into Beam #C3 and secure with 4 Bolts #1.

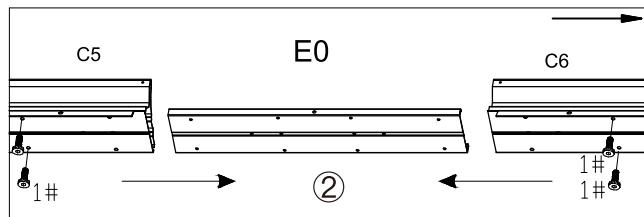
Repeat the above procedures to assemble the other Beam #C4 and #C3.



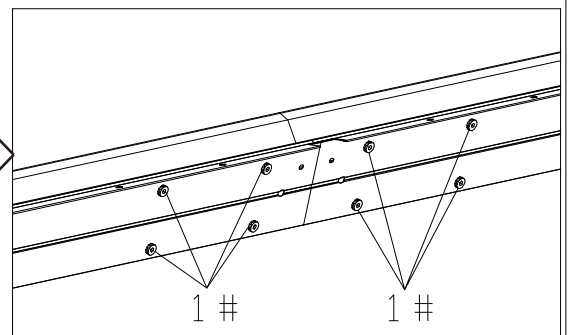
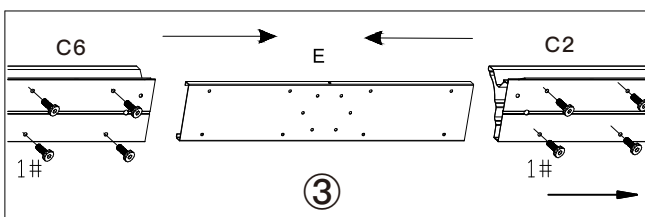
TIPS: It's a normal situation that there's a gap between the 2 beams, please use silicone sealant (part #H) and Joint Cover #G to affix the gap. (see P13)



1. Use Part #E to connect Part #C1 and Part #C5, then secure with 8 Bolts #1.

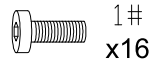


2. Use Part #E0 to connect Part #C5 and Part #C6, then secure with 4 Bolts #1.

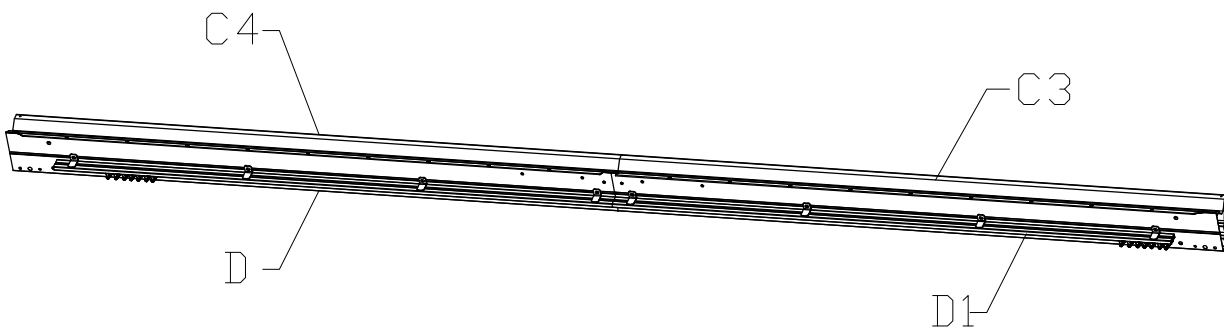
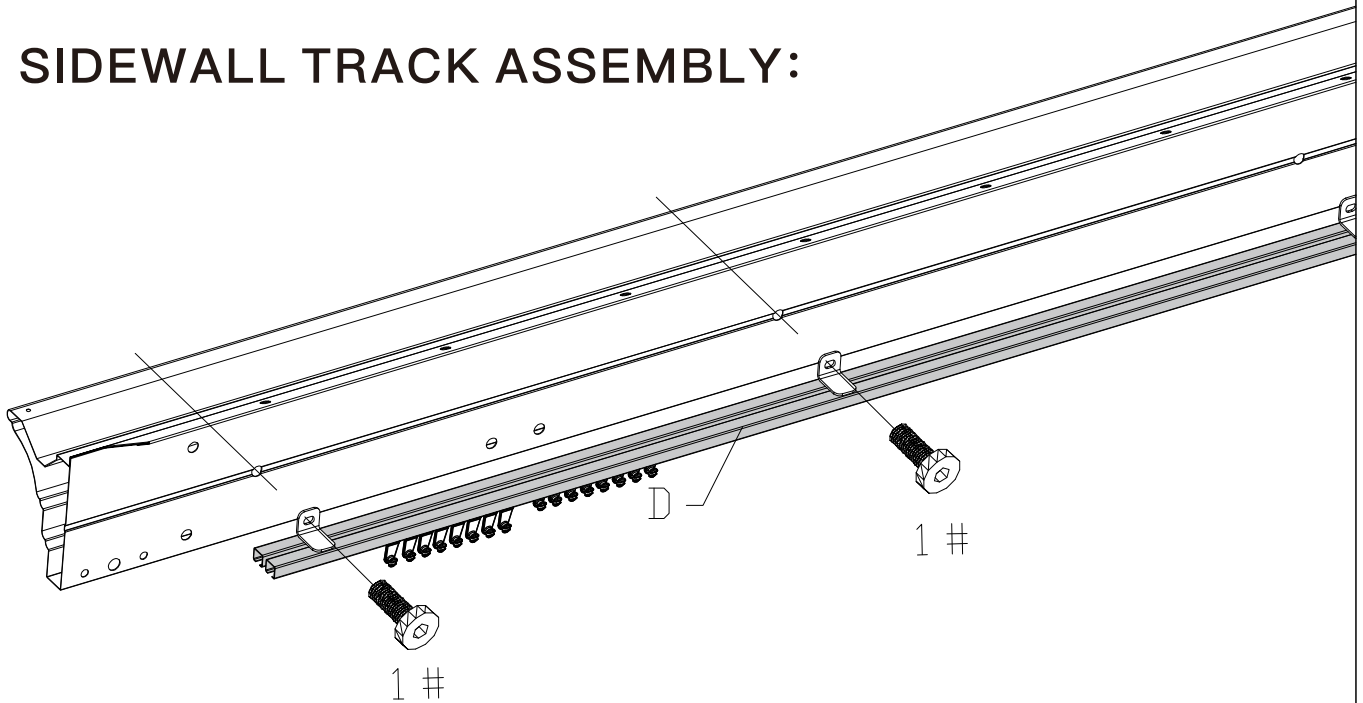


3. Use Part #E to connect Part #C6 and Part #C2, then secure with 8 Bolts #1.

Repeat the above procedures to assemble the other Beams #C1, #C5, #C6 and #C2.

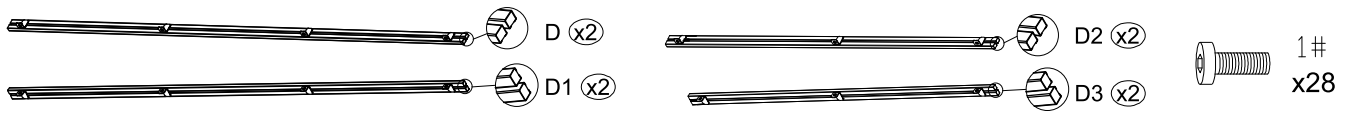


SIDEWALL TRACK ASSEMBLY:

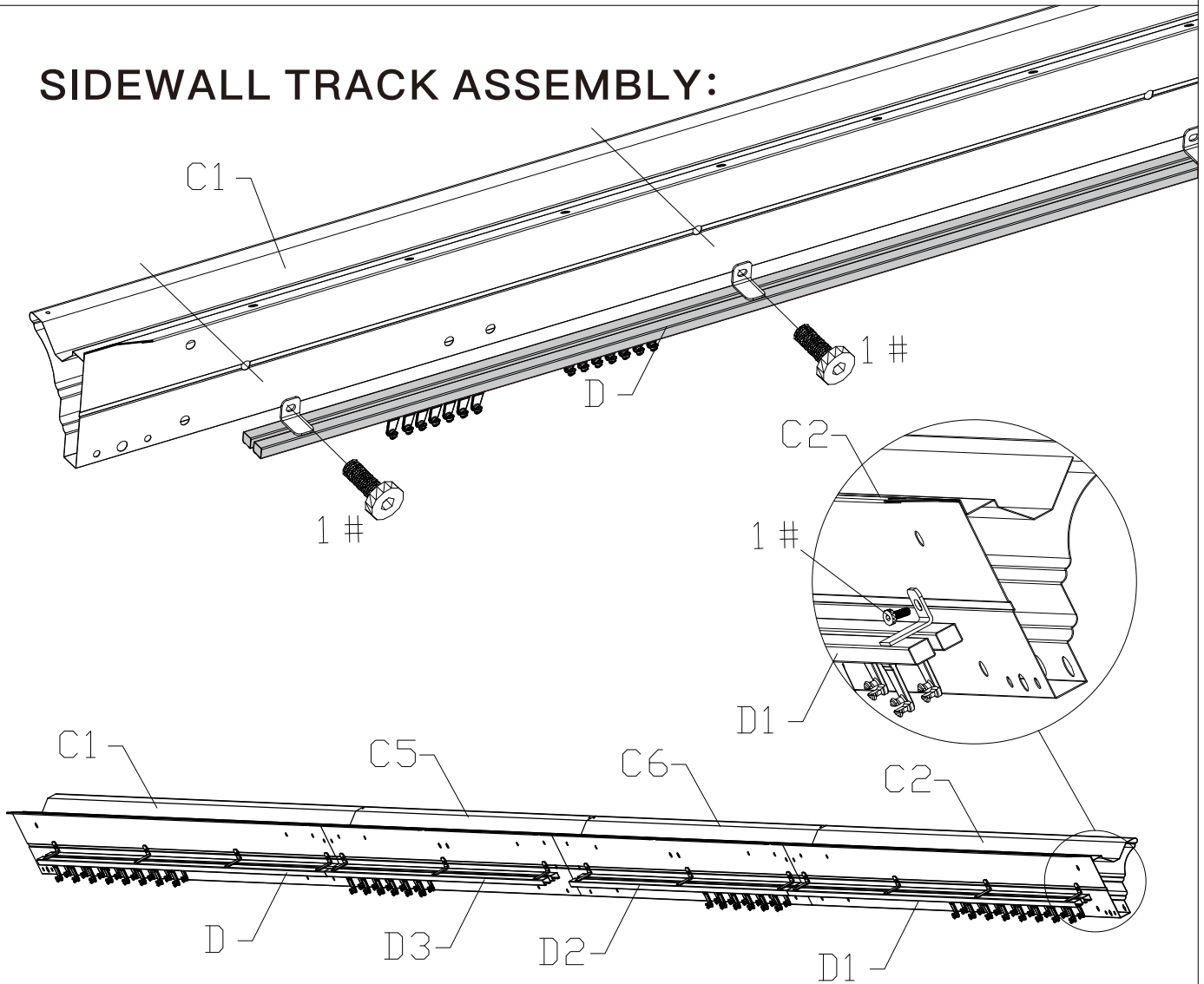


1. Secure Sidewall Track #D to Beam #C4 using 4 Bolts #1.
2. Secure Sidewall Track #D1 to Beam #C3 using 4 Bolts #1.

Repeat the above procedures for the other tracks #D and #D1 .



SIDEWALL TRACK ASSEMBLY:

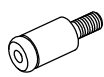


1. Secure Sidewall Track #D to Beam #C1 using 4 Bolts #1.
2. Secure Sidewall Track #D3 to Beam #C5 using 3 Bolts #1.
3. Secure Sidewall Track #D2 to Beam #C6 using 3 Bolts #1.
4. Secure Sidewall Track #D1 to Beam #C2 using 4 Bolts #1.

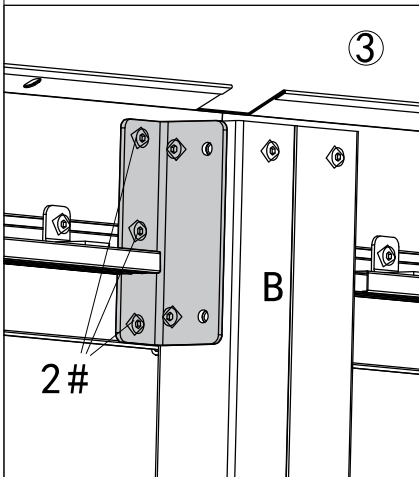
Repeat the above procedures for the other tracks #D, #D3, #D2 and #D1.



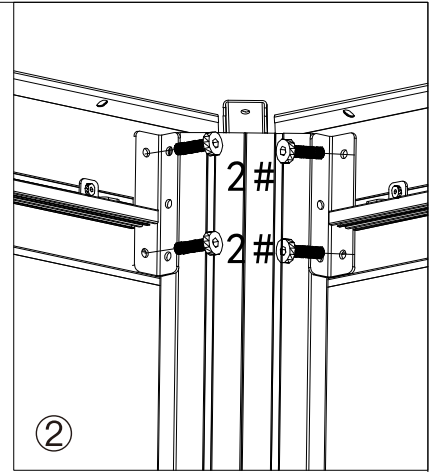
2#
x28



3#
x16

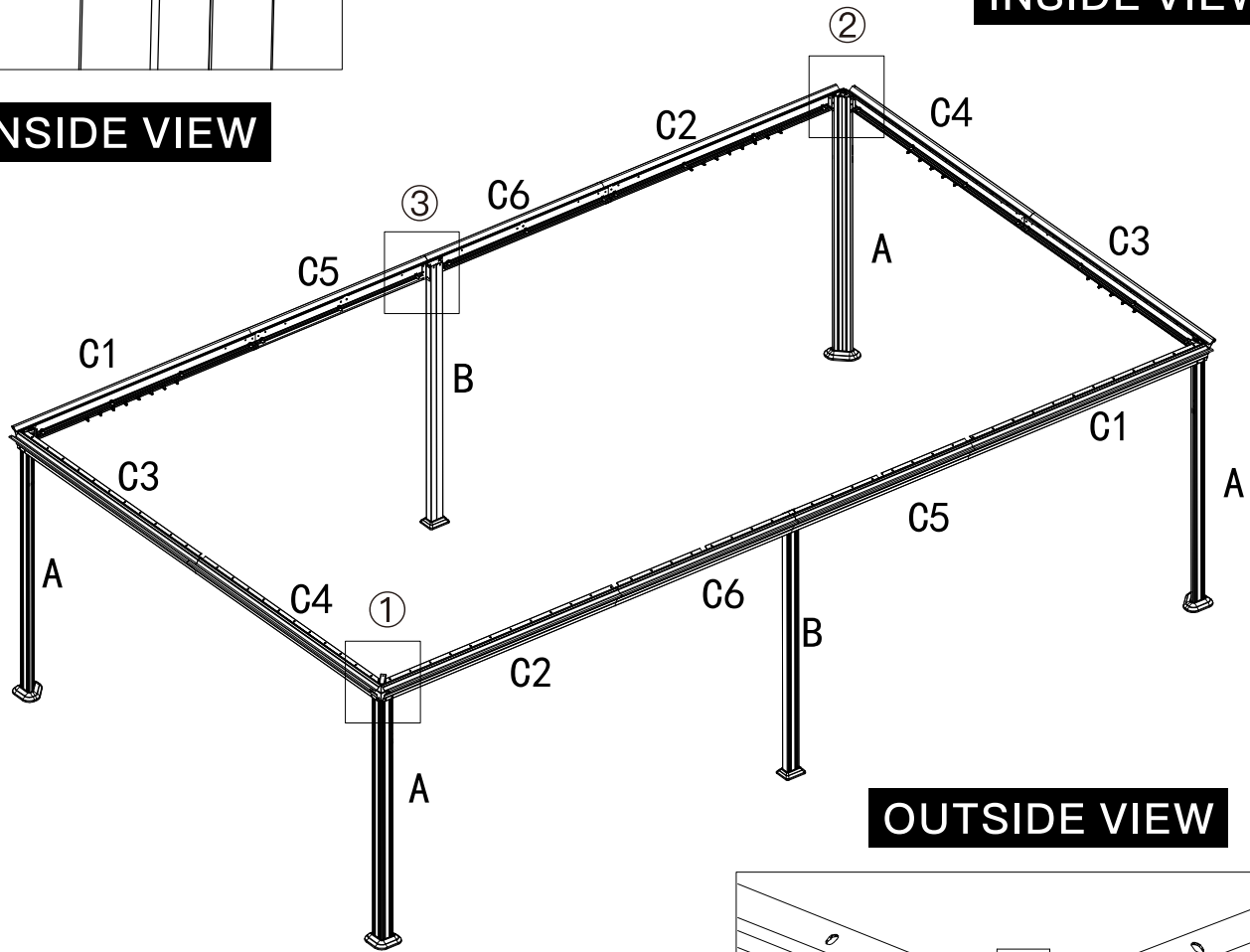


FRAME ASSEMBLY:



INSIDE VIEW

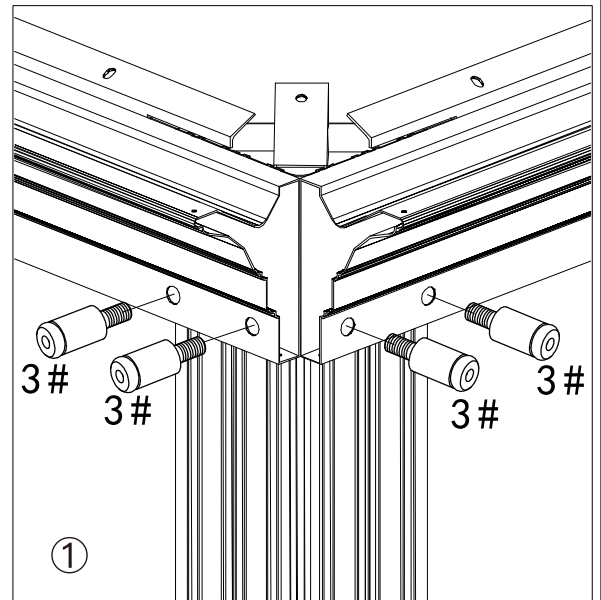
INSIDE VIEW

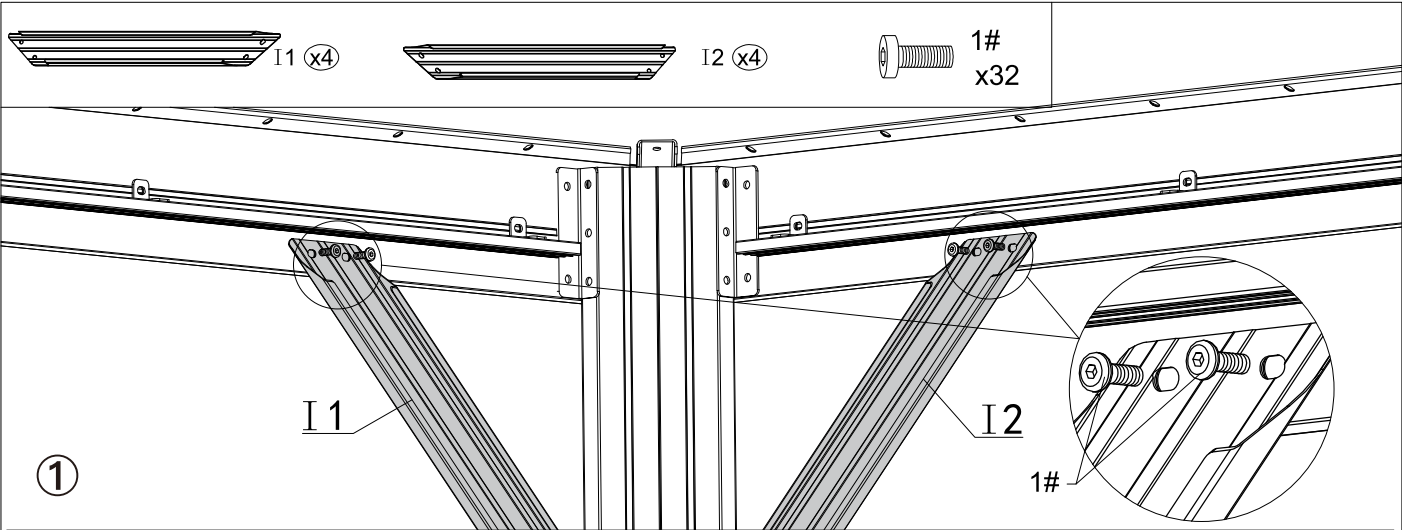


OUTSIDE VIEW

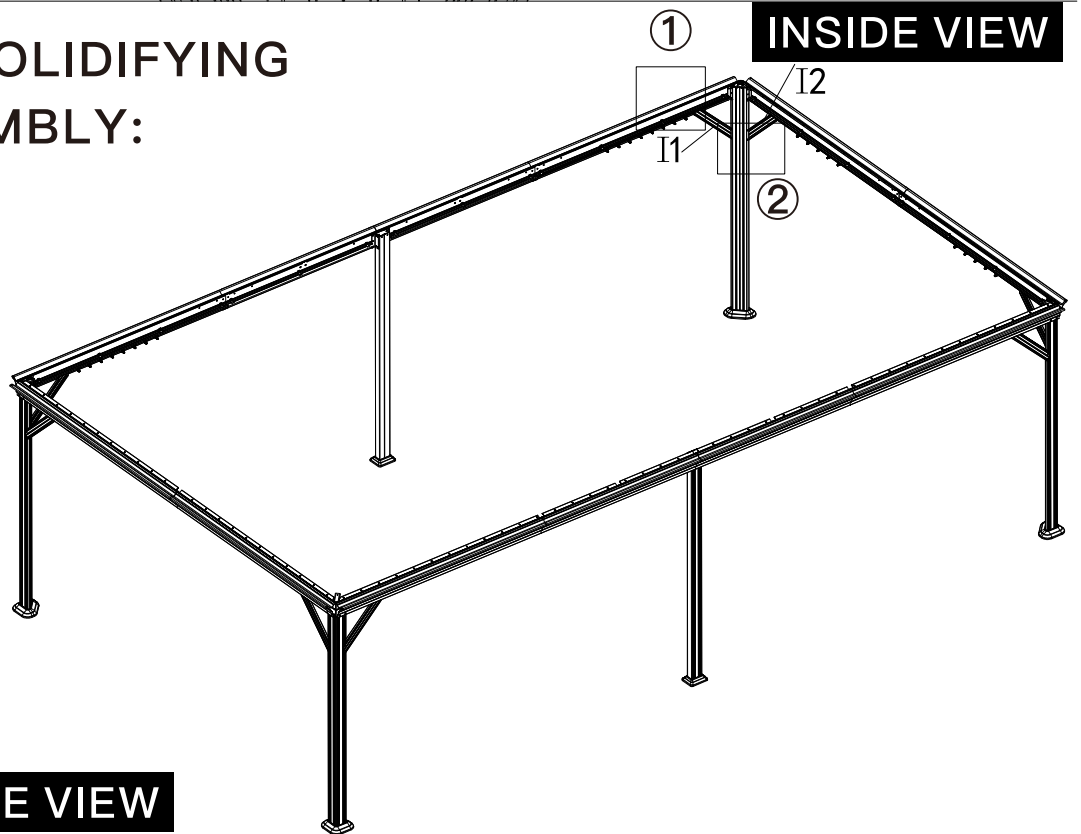


Please don't tighten all bolts.

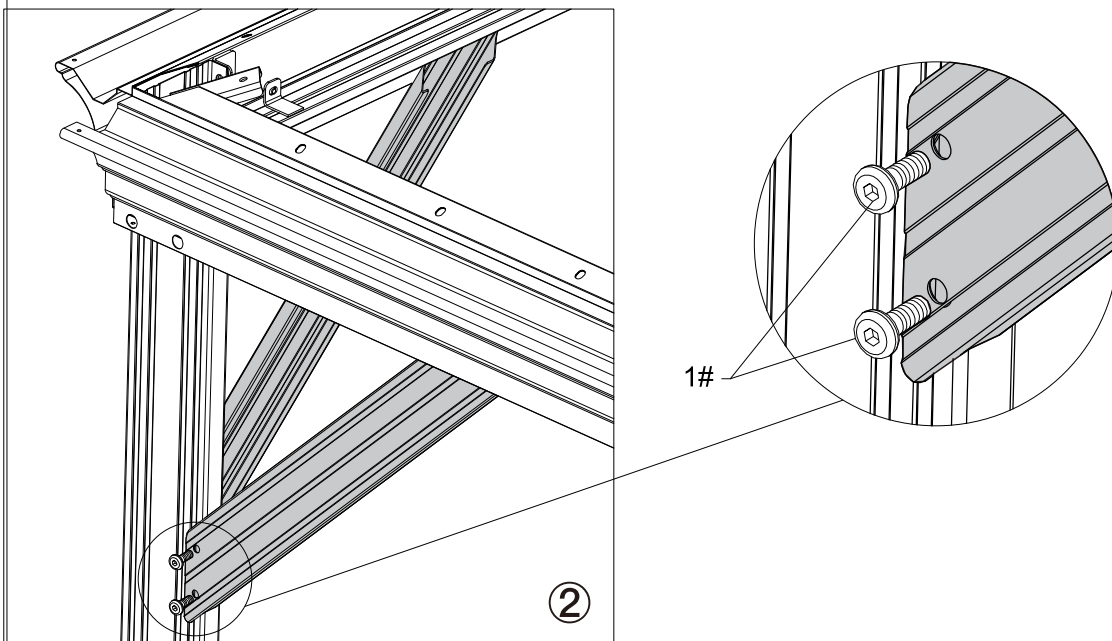




**CORNER SOLIDIFYING
BAR ASSEMBLY:**



OUTSIDE VIEW



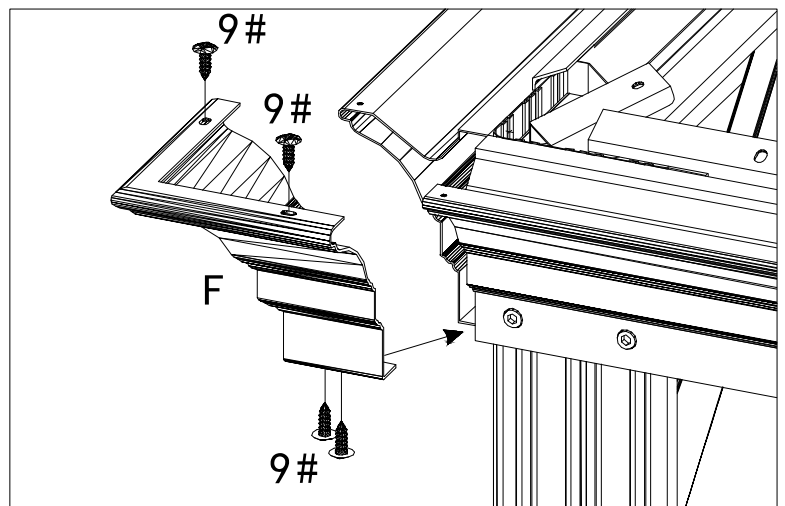
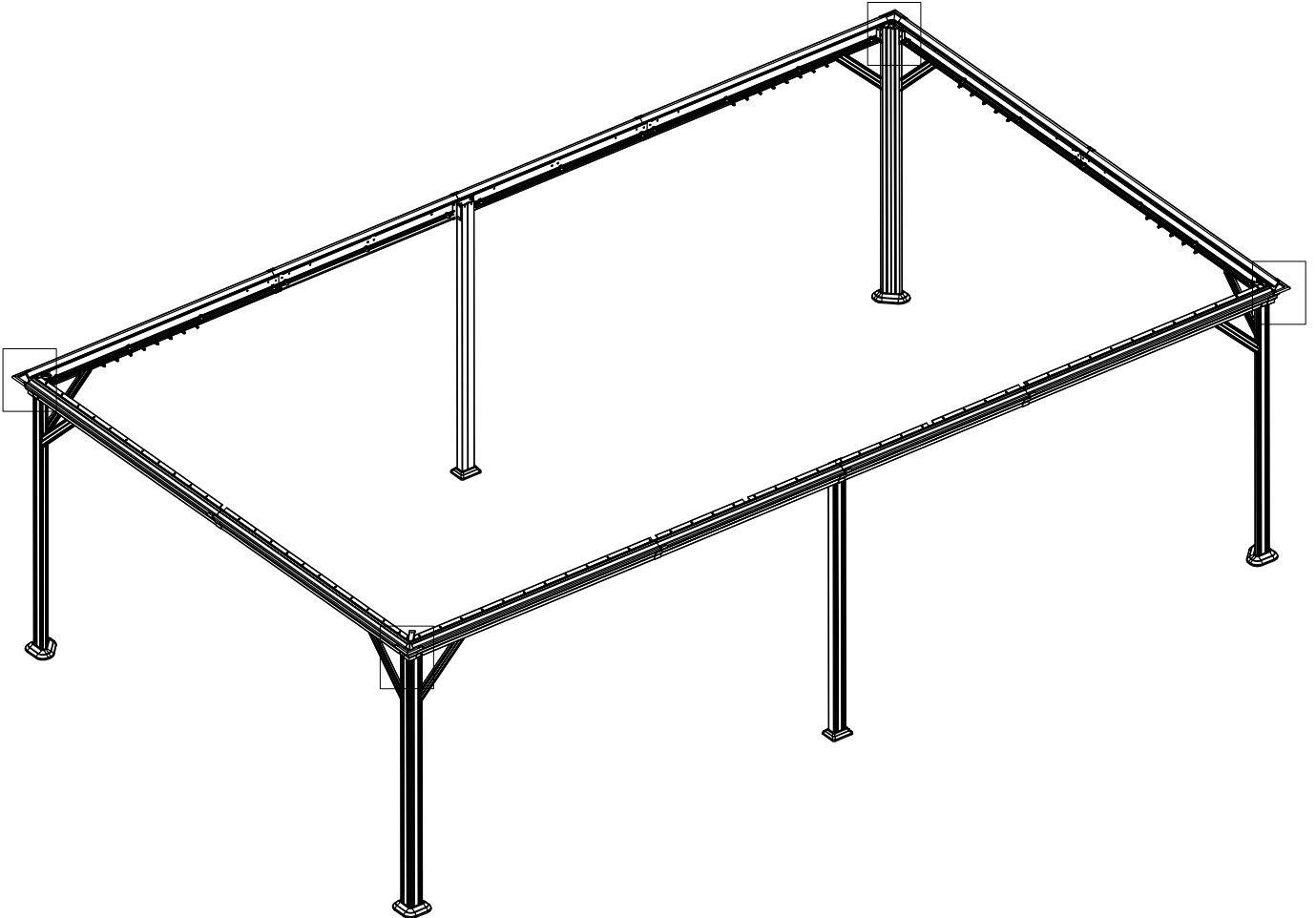


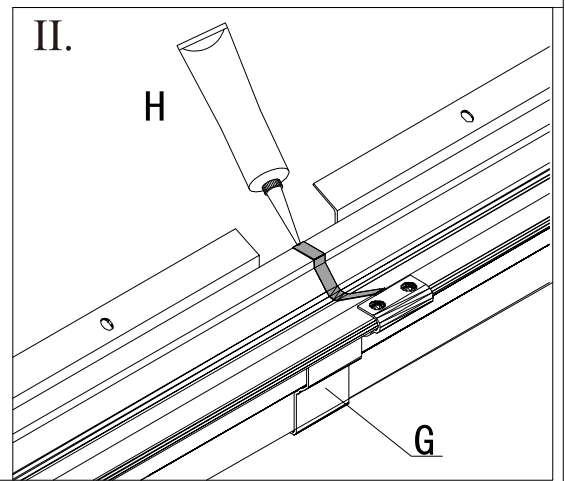
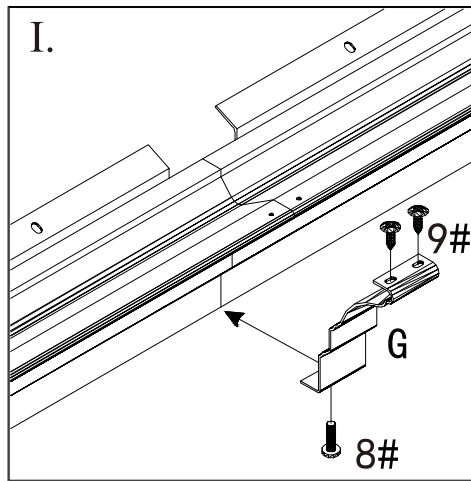
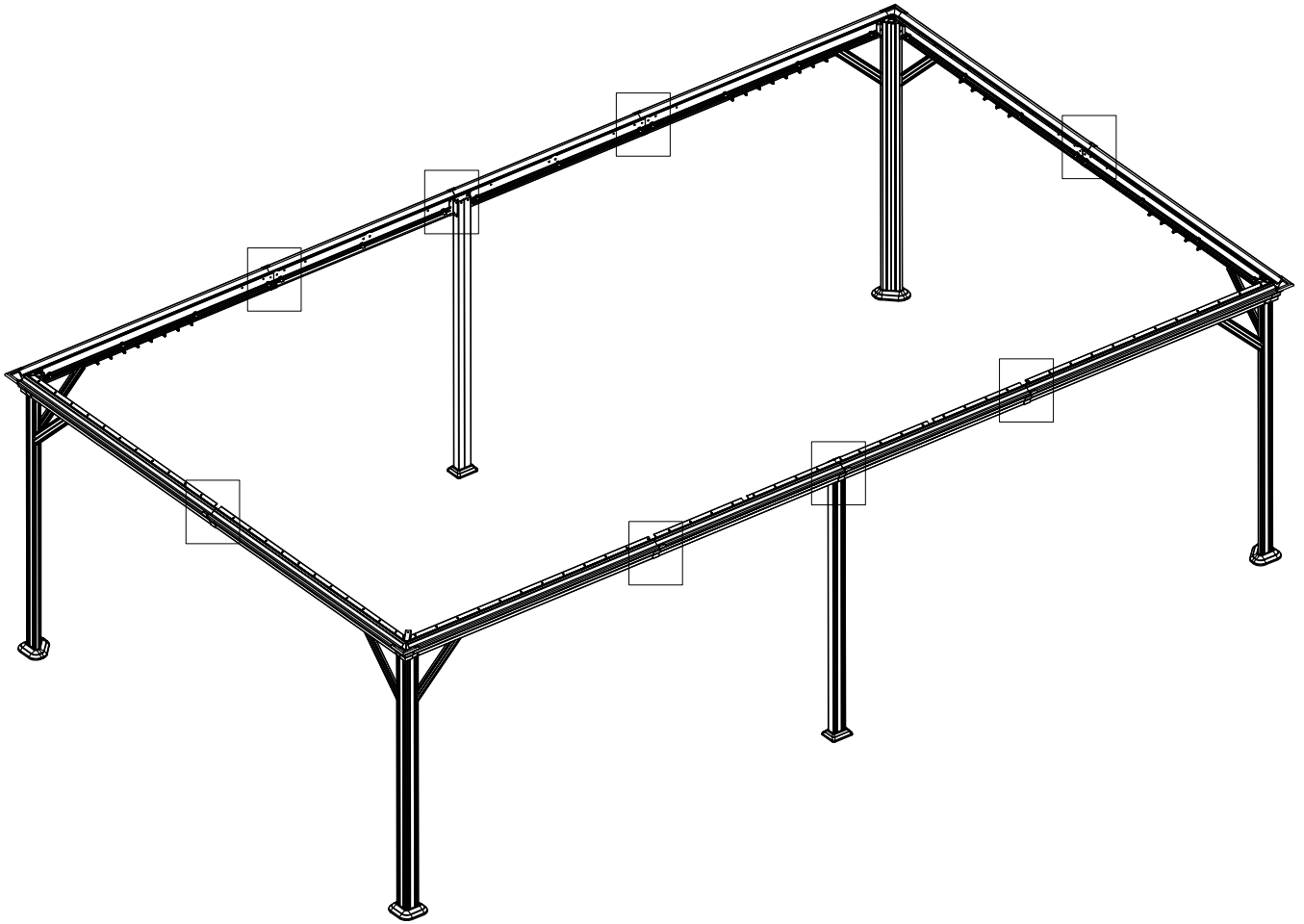
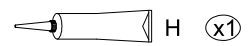
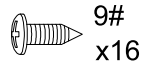
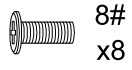
F x4



9#
x16

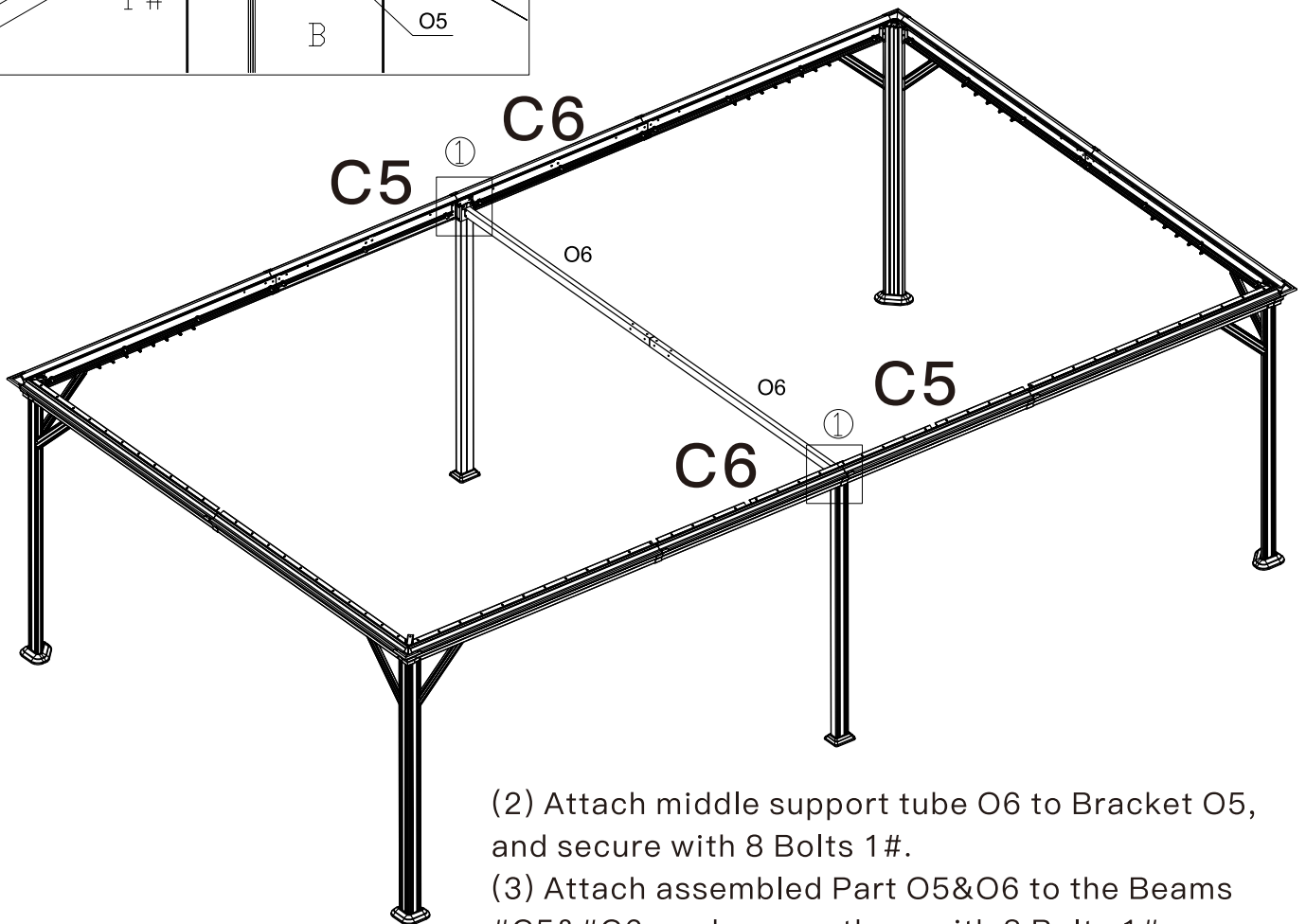
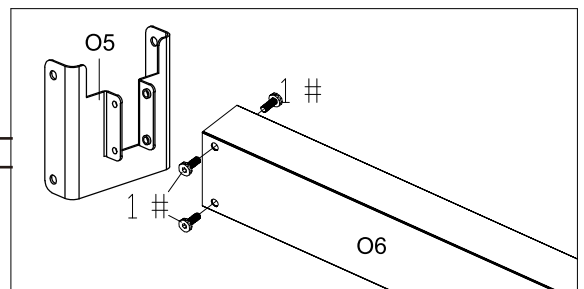
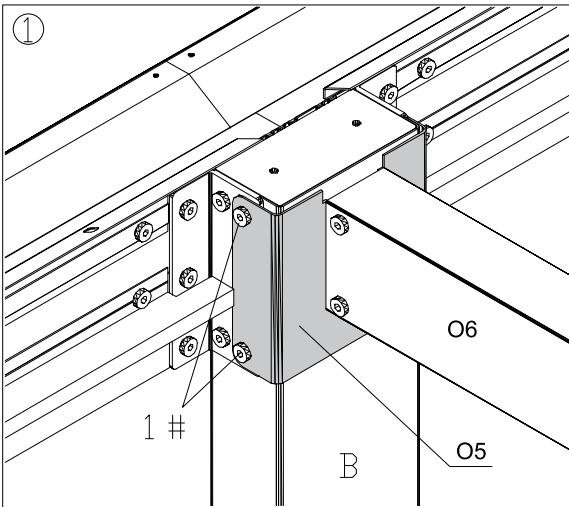
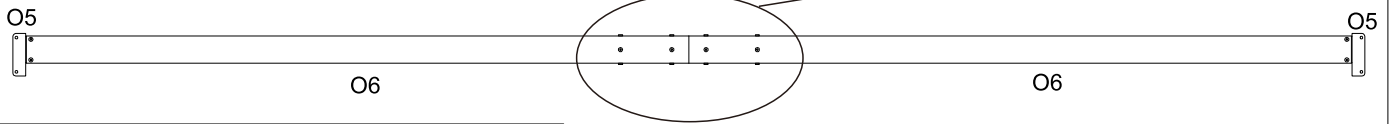
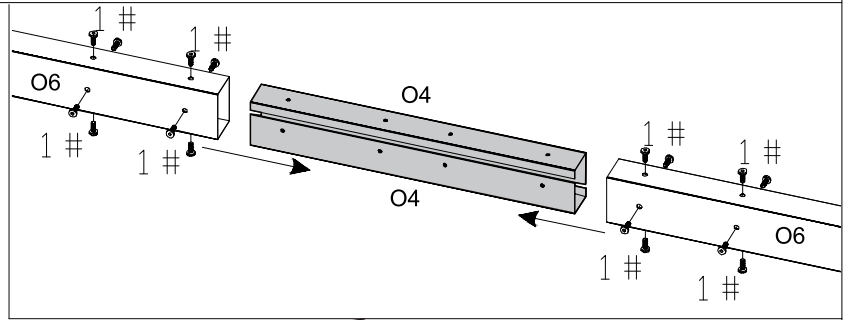
CORNER COVER & JOINT COVER ASSEMBLY:



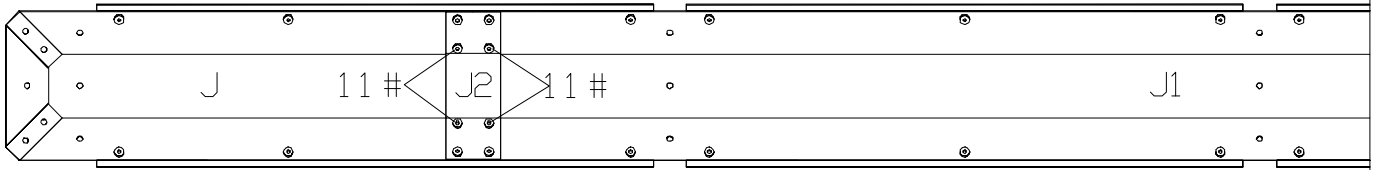
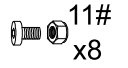
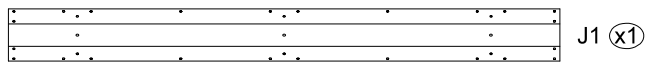
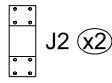
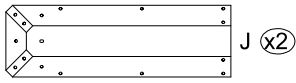




(1) Use Part O4 to connect the two Middle Support Tubes (Part O6) and secure them with 16 Bolts 1#.

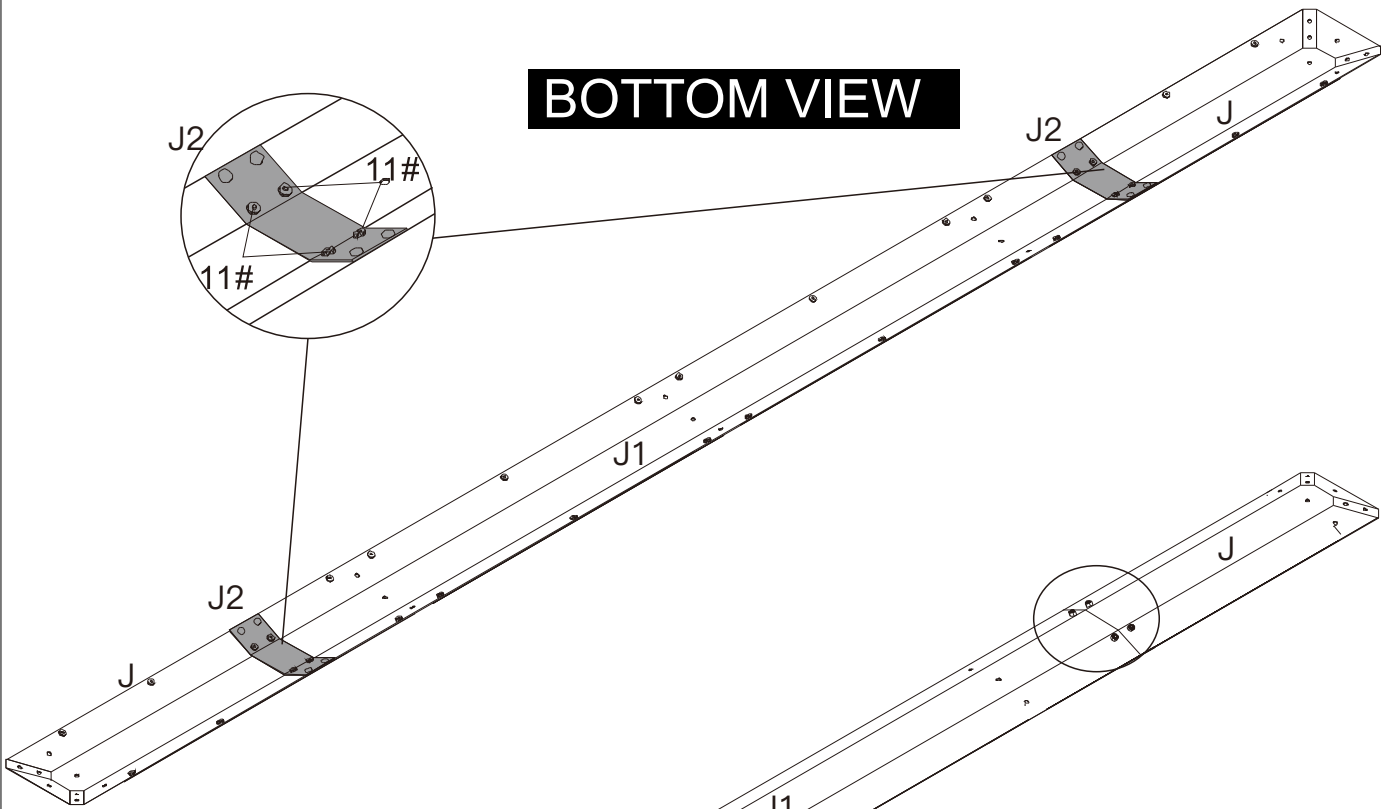


(2) Attach middle support tube O6 to Bracket O5, and secure with 8 Bolts 1#.
 (3) Attach assembled Part O5&O6 to the Beams #C5&#C6, and secure them with 8 Bolts 1#.

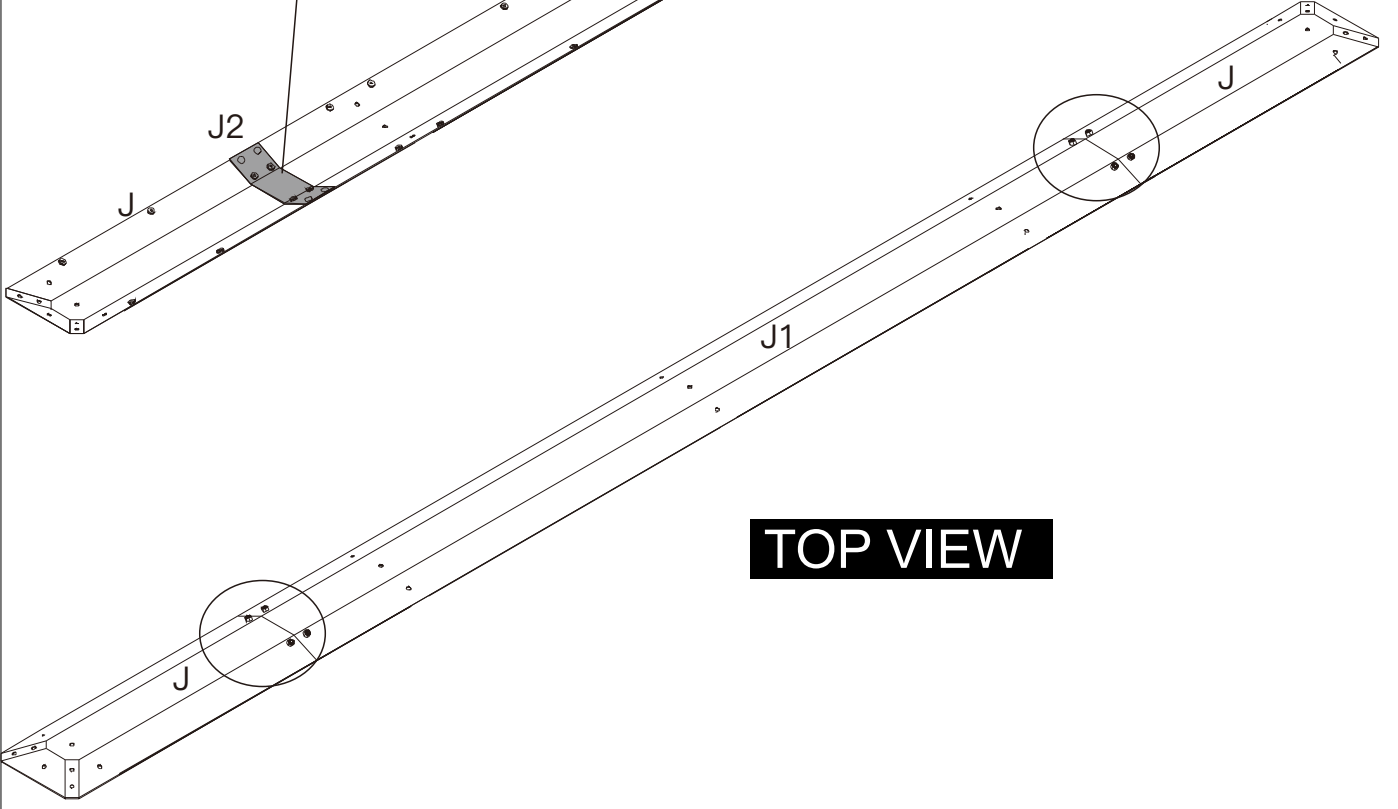


INSIDE ROOF COVER ASSEMBLY:

BOTTOM VIEW



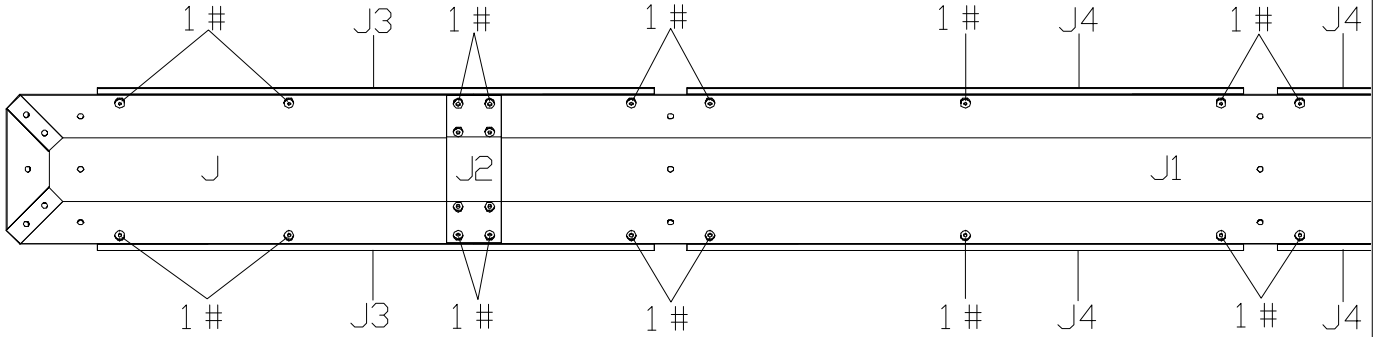
TOP VIEW



J3 (x4)

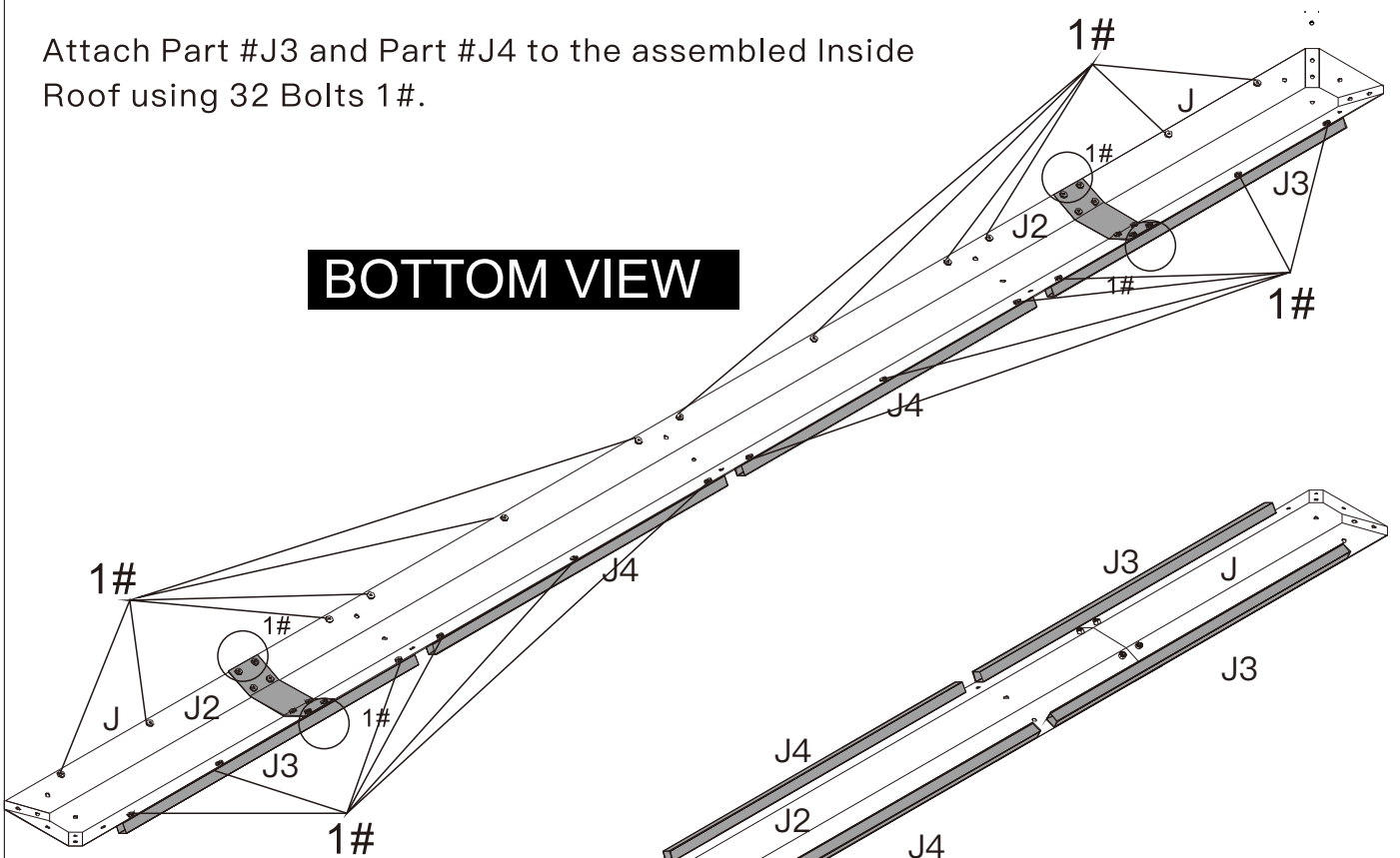
J4 (x4)

1#
x32

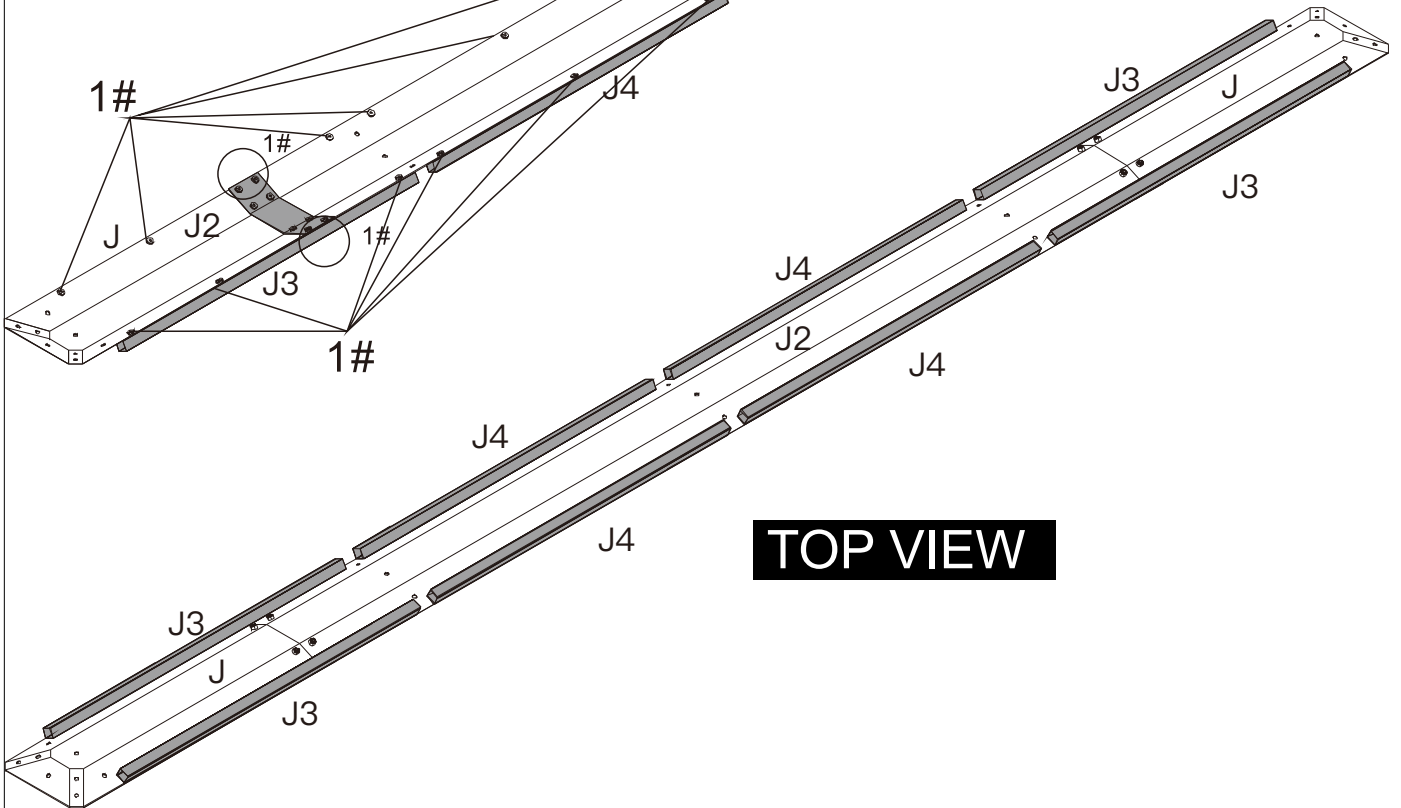


Attach Part #J3 and Part #J4 to the assembled Inside Roof using 32 Bolts 1#.

BOTTOM VIEW



TOP VIEW

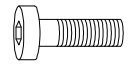




M (x4)

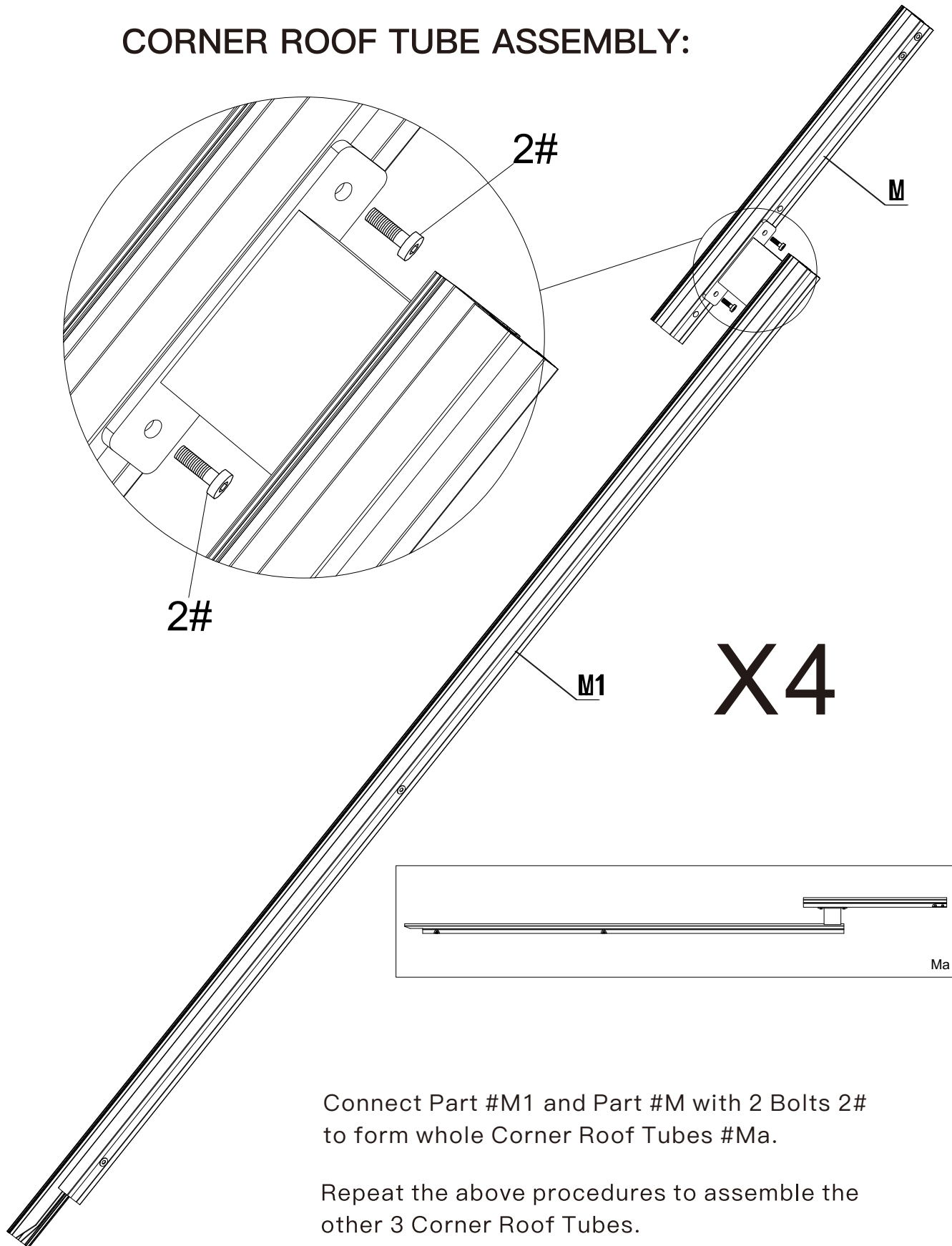


M1 (x4)



2#
x8

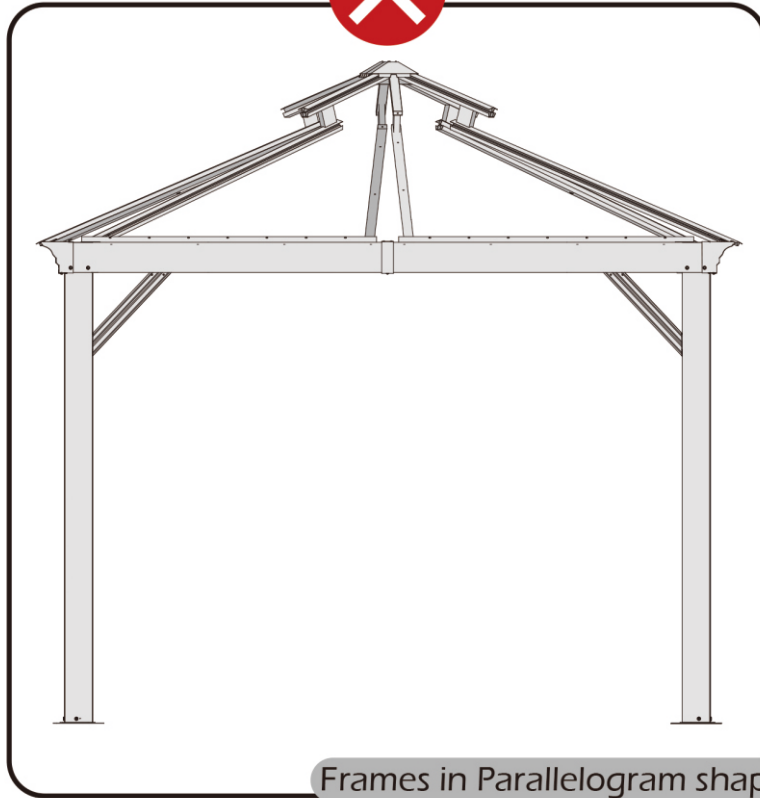
CORNER ROOF TUBE ASSEMBLY:



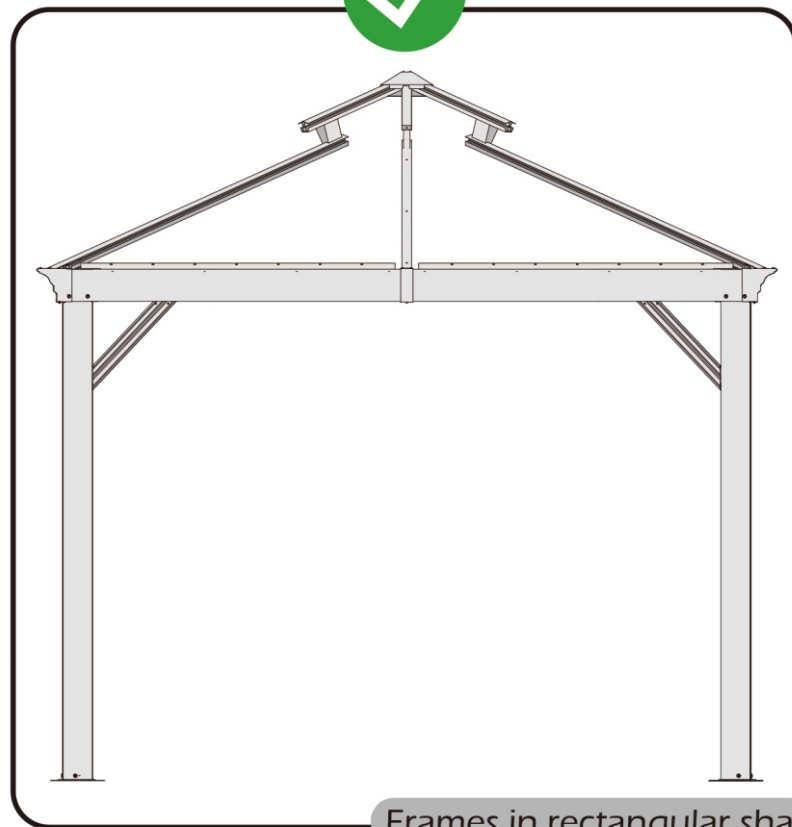
Connect Part #M1 and Part #M with 2 Bolts 2# to form whole Corner Roof Tubes #Ma.

Repeat the above procedures to assemble the other 3 Corner Roof Tubes.

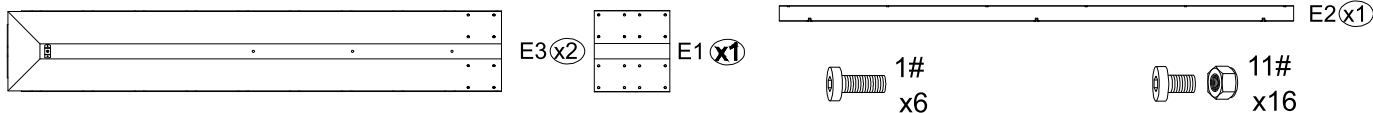
Check the the frame as pictures below shows.



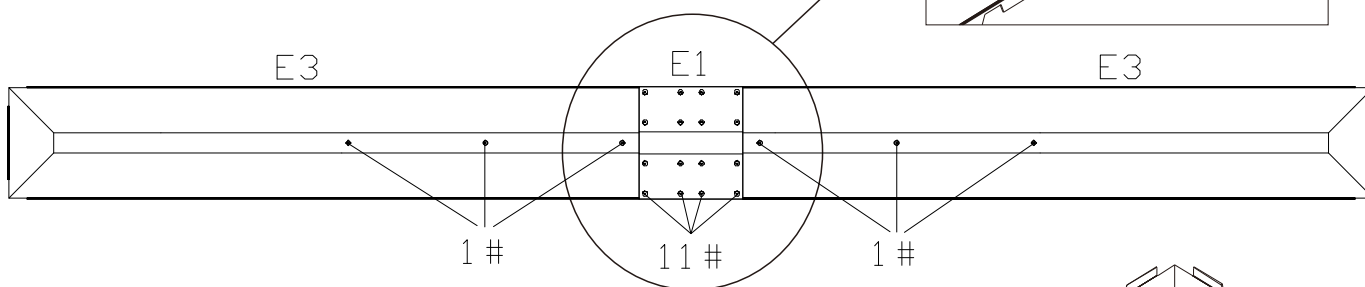
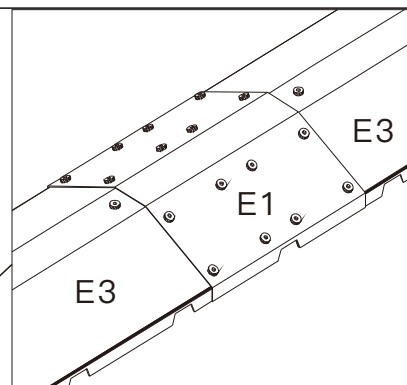
Frames in Parallelogram shape



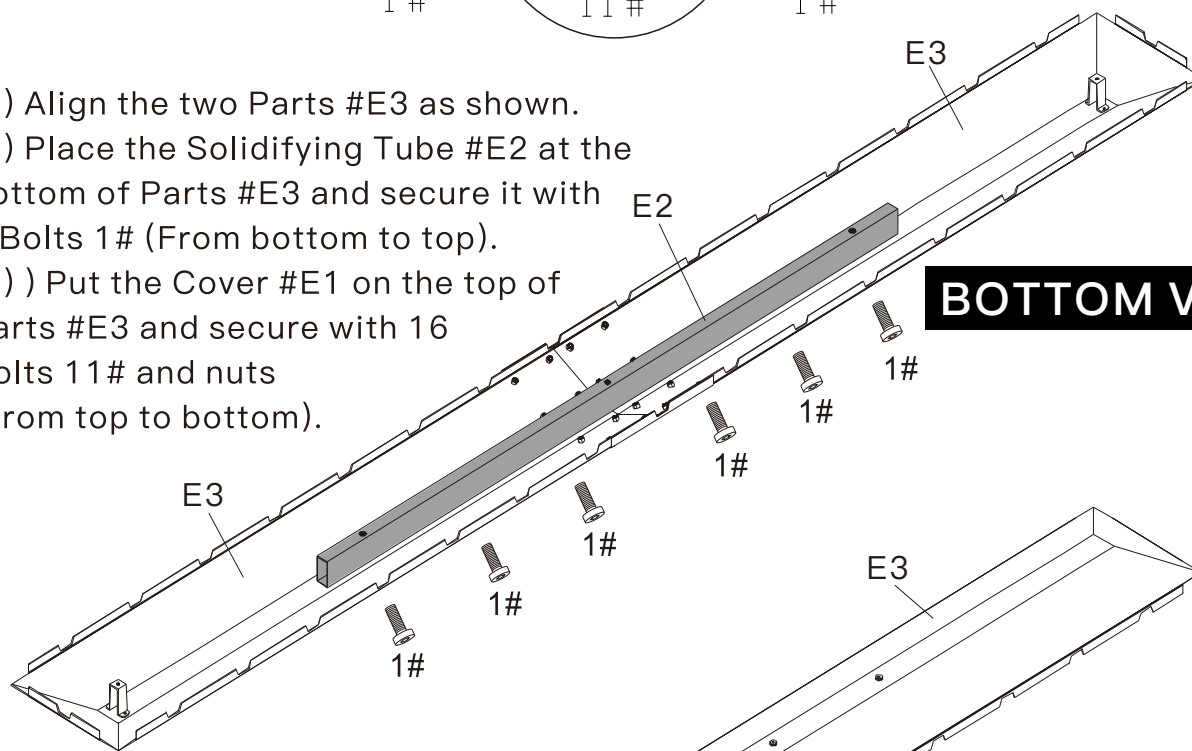
Frames in rectangular shape



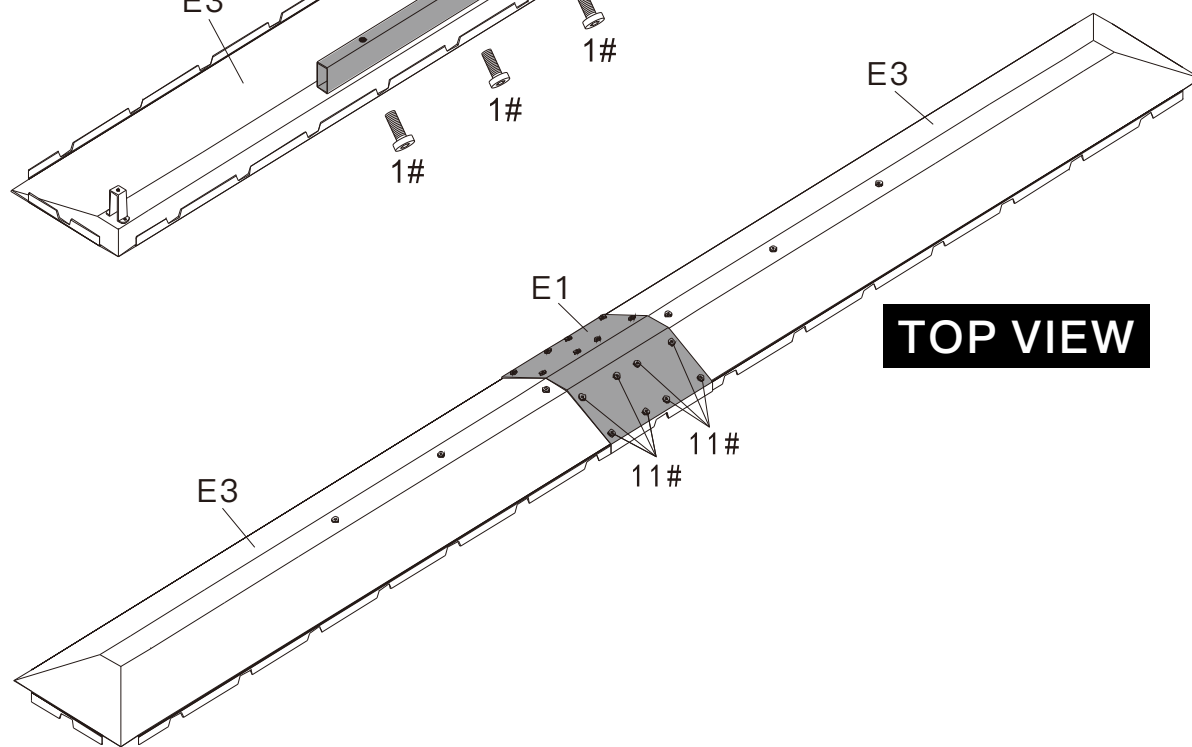
OUTSIDE ROOF COVER ASSEMBLY:



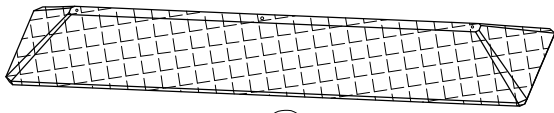
- (1) Align the two Parts #E3 as shown.
- (2) Place the Solidifying Tube #E2 at the bottom of Parts #E3 and secure it with 6 Bolts 1# (From bottom to top).
- (3) Put the Cover #E1 on the top of Parts #E3 and secure with 16 Bolts 11# and nuts (From top to bottom).



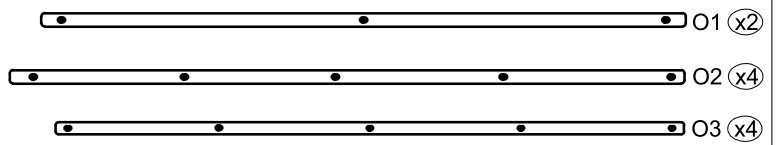
BOTTOM VIEW



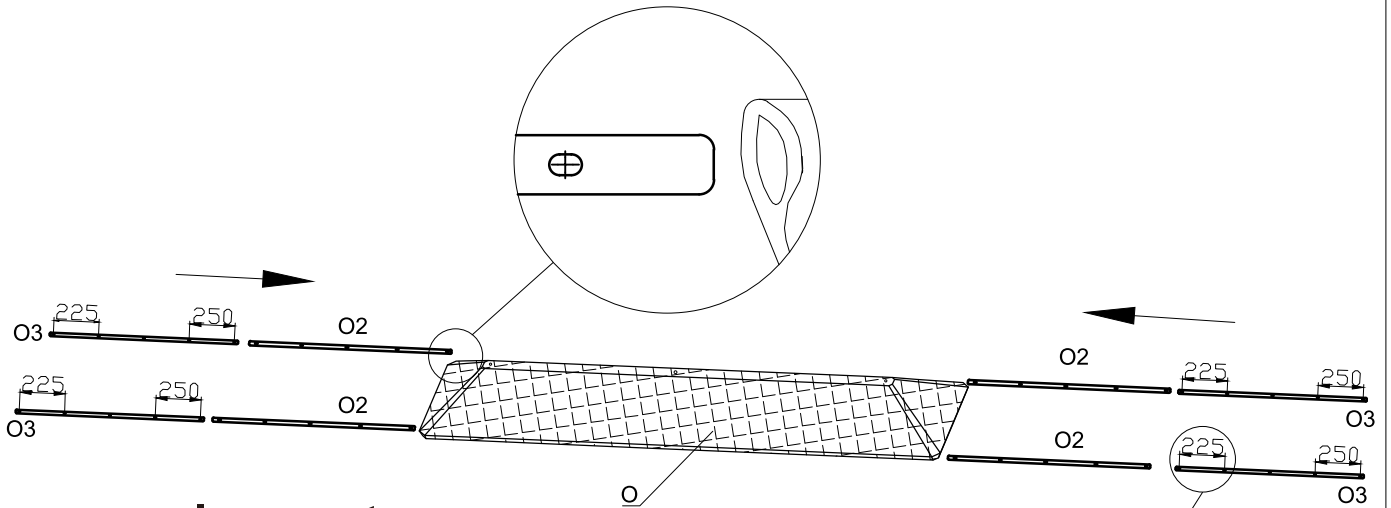
TOP VIEW



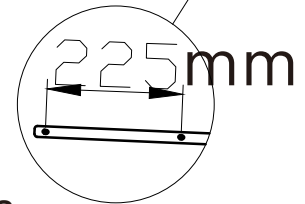
O (x1)



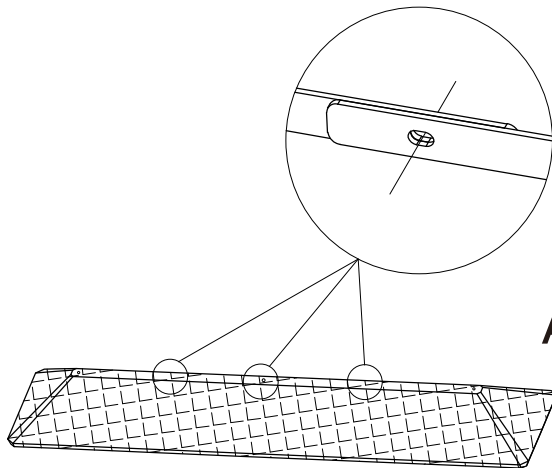
PLASTIC BARS ASSEMBLY:



Insert

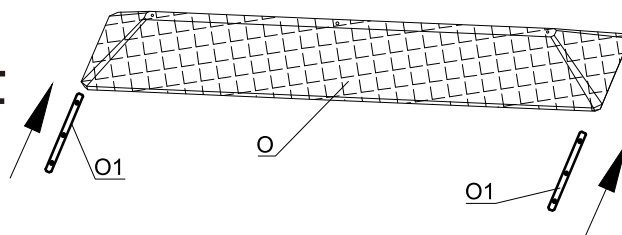


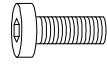
Please pay attention to the installation position of the O3 and do not install it backwards.



Align the holes

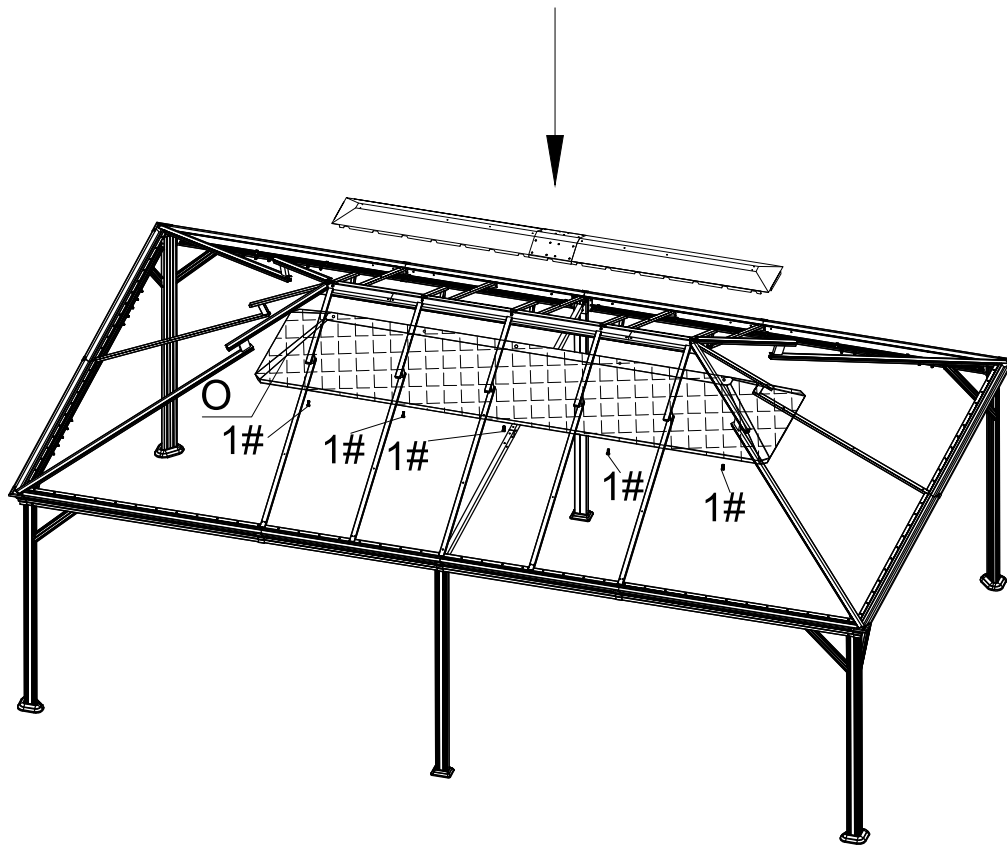
Insert



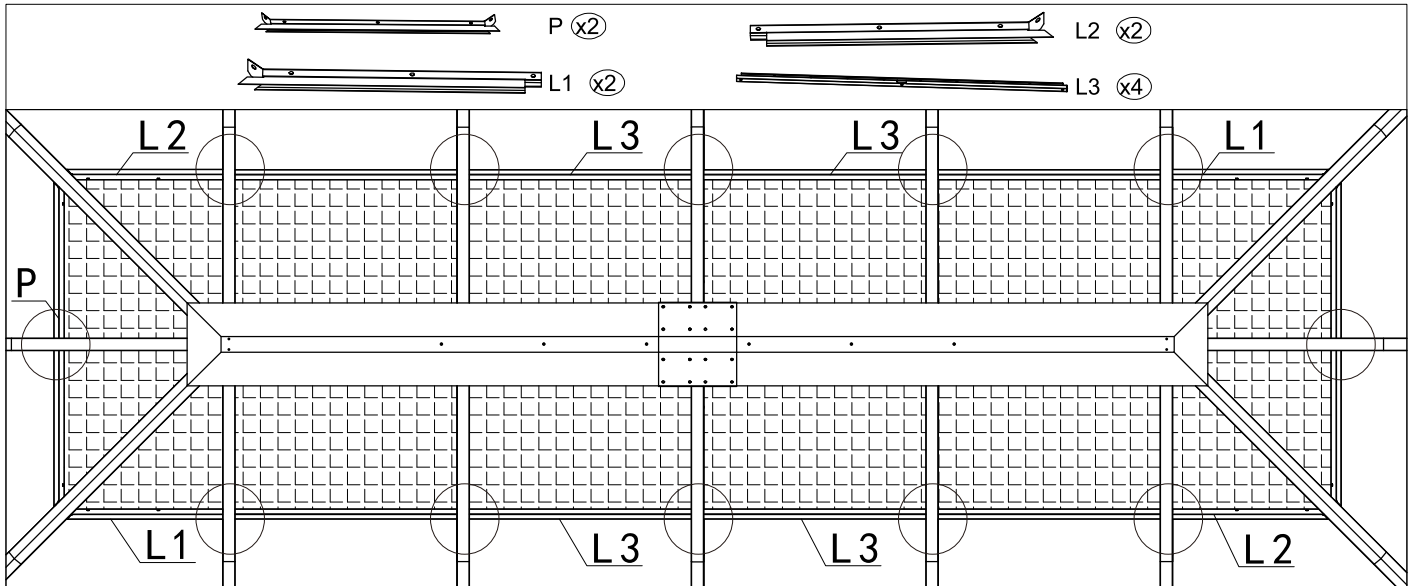


1#
x5

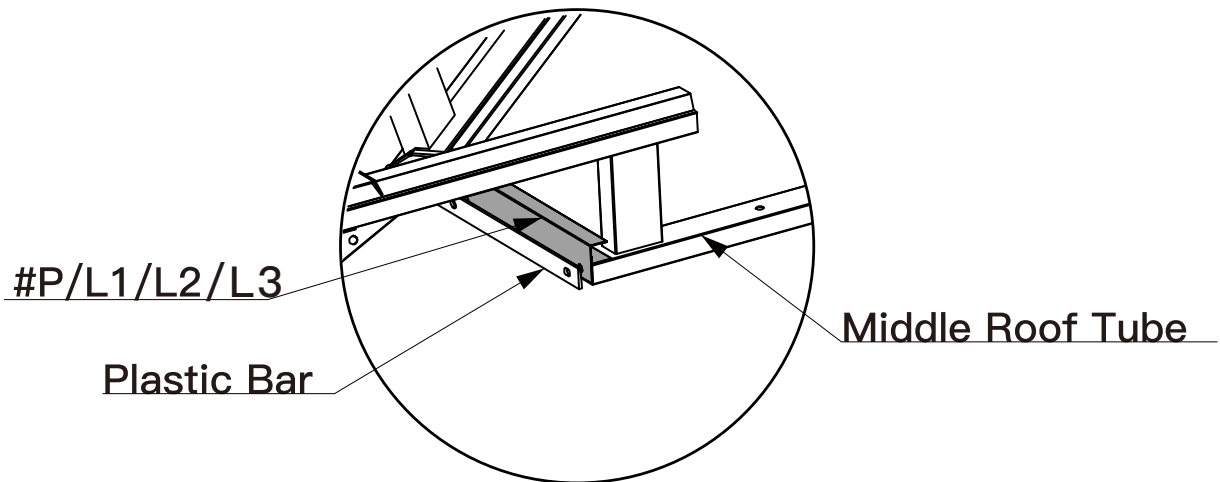
OUTSIDE ROOF COVER AND MESH ASSEMBLY:




Place the Outside Roof Cover on the Inside Roof Cover,
and secure them with 5 bolts #1.

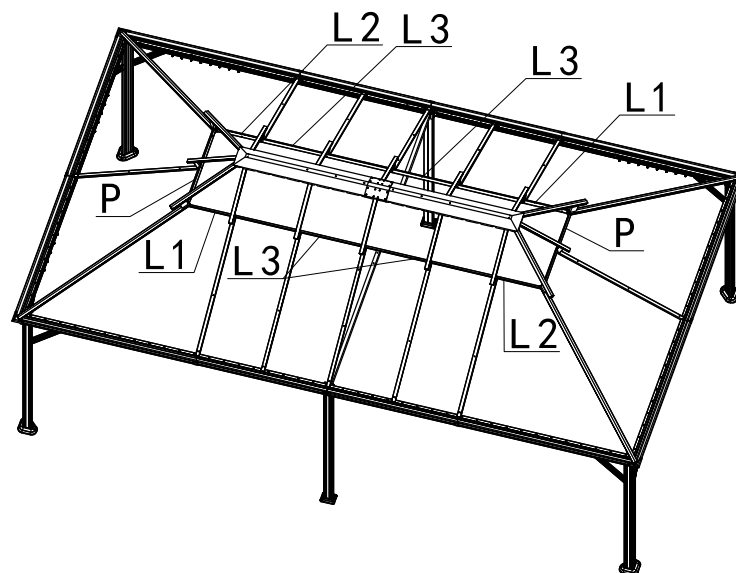


TOP VIEW

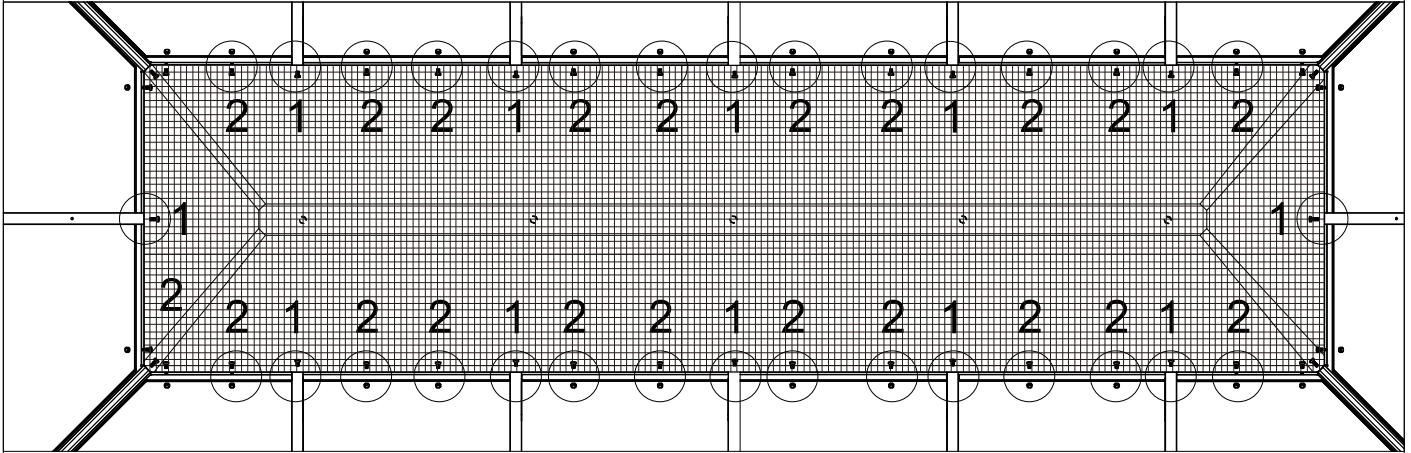


INSIDE VIEW

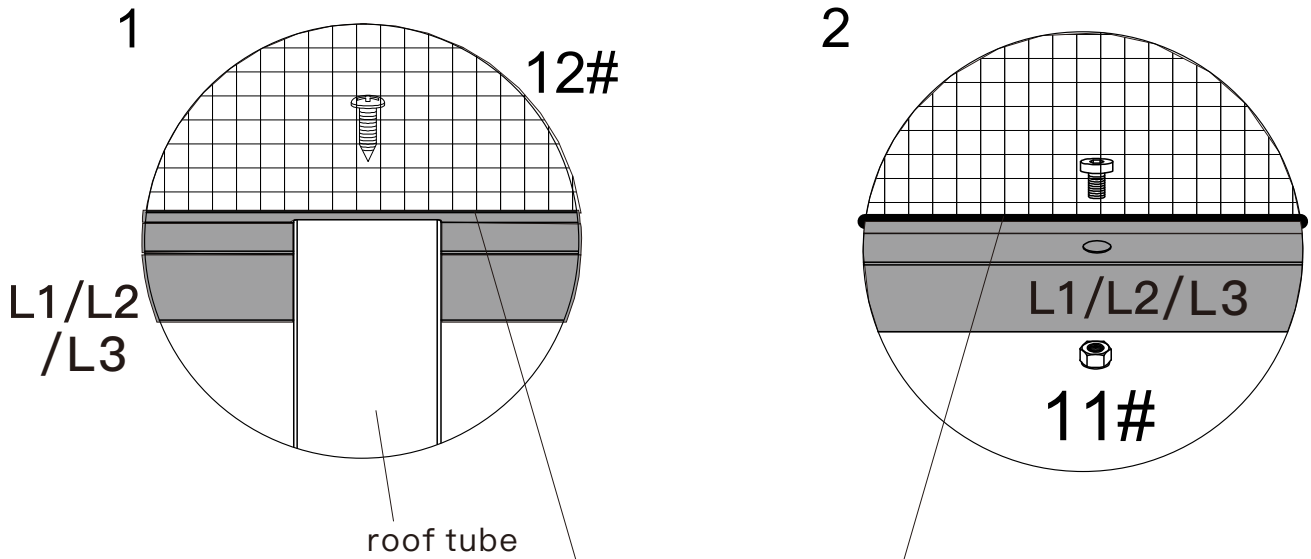
 Please do not pull plastic bar out when installing it with #P, L1 & L2 & L3 on the middle roof tube.



12# x12 11# x20

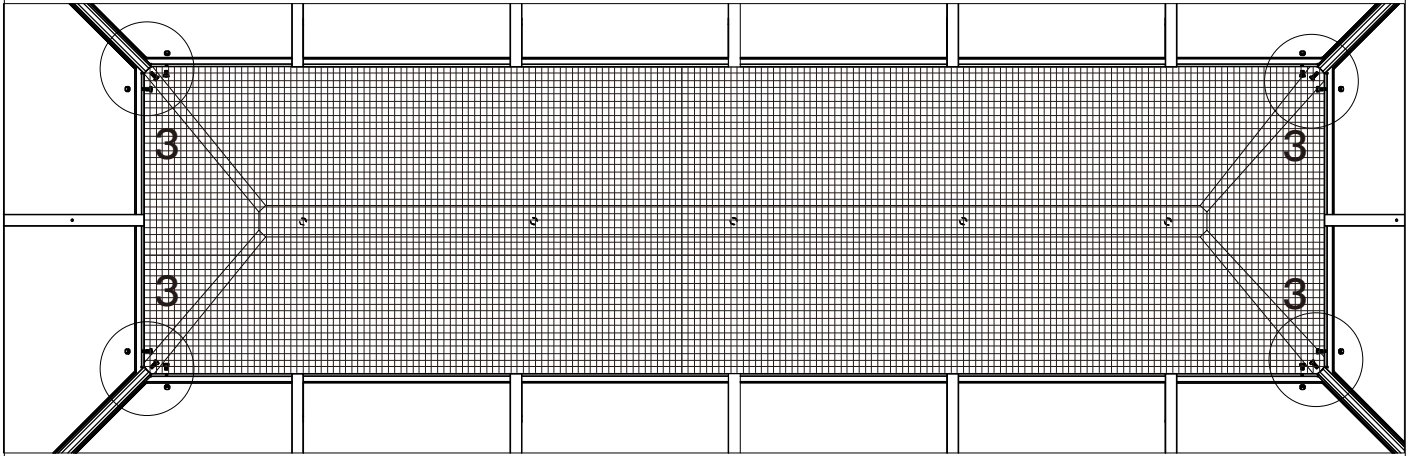
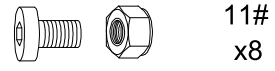
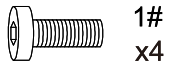
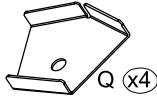


BOTTOM VIEW

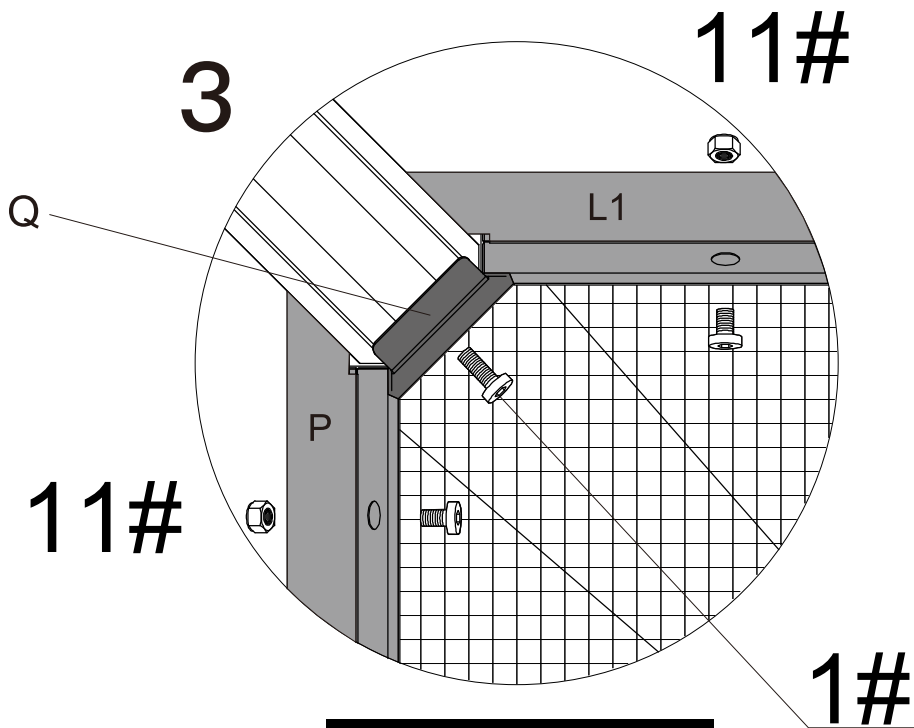


Plastic Bar in the mesh

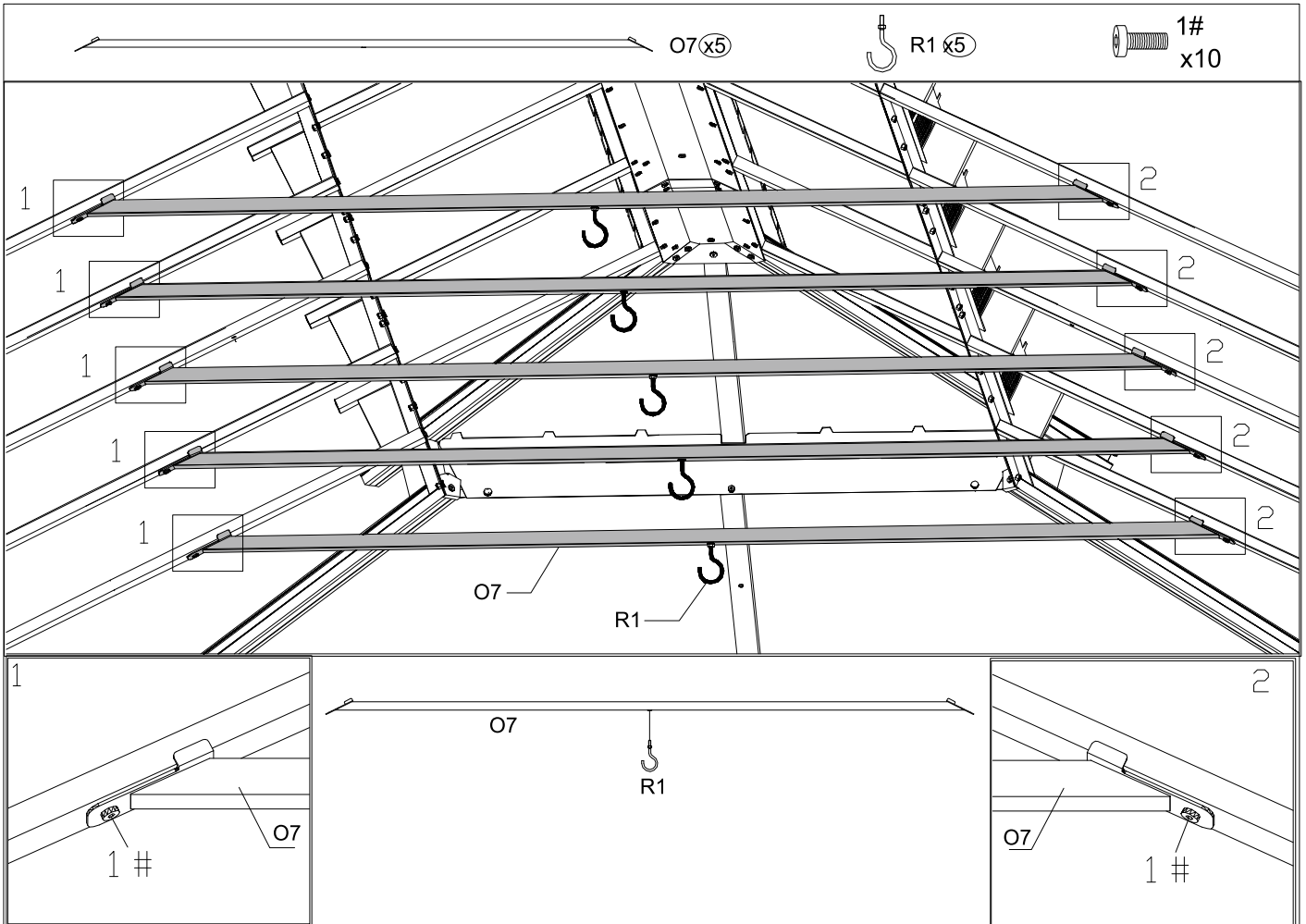
Extend the small mesh, then secure the plastic bar (inside the small mesh) and the finishing bar to the roof tube.



BOTTOM VIEW



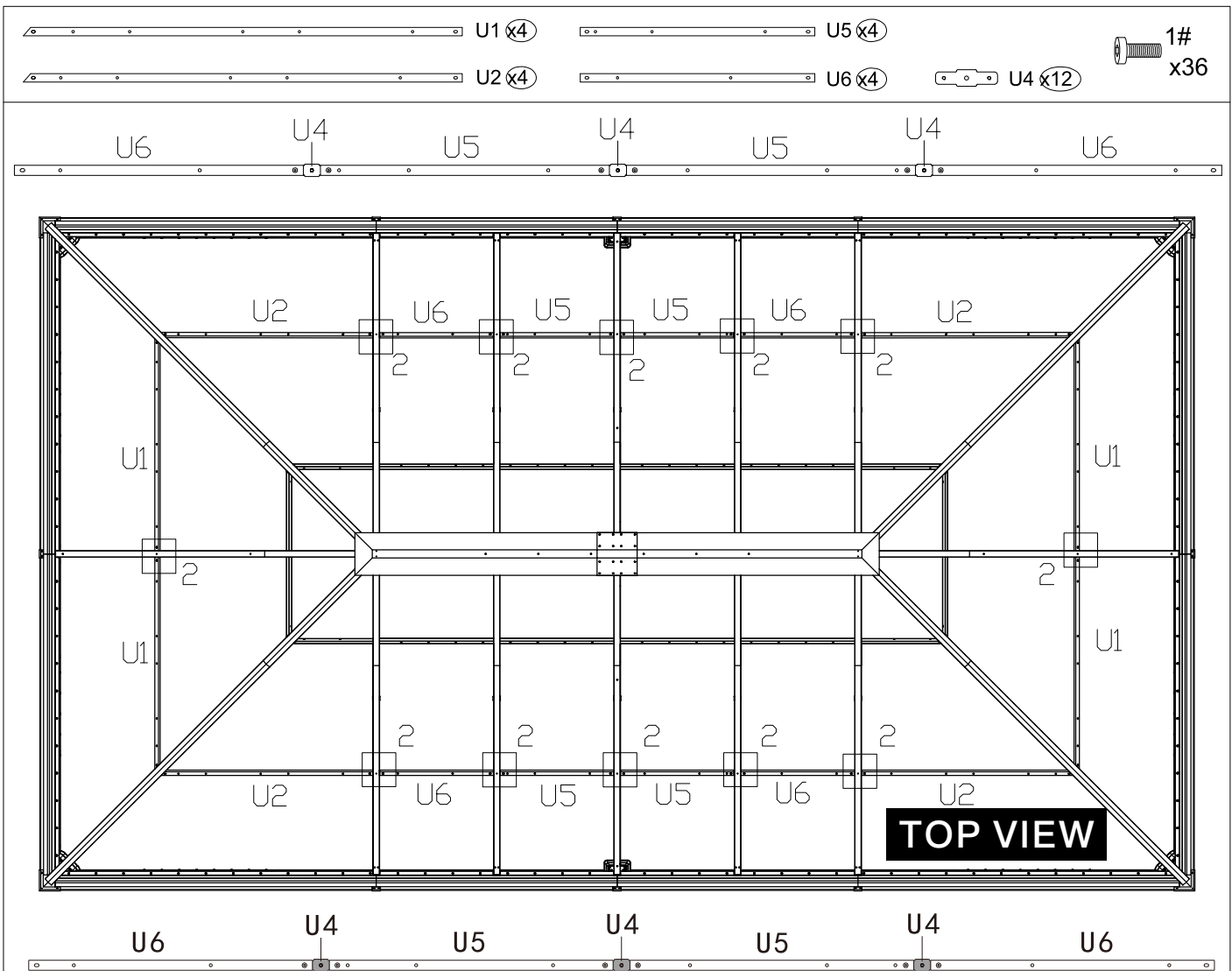
INSIDE VIEW



SOLIDIFYING BARS AND HOOKS ASSEMBLY:

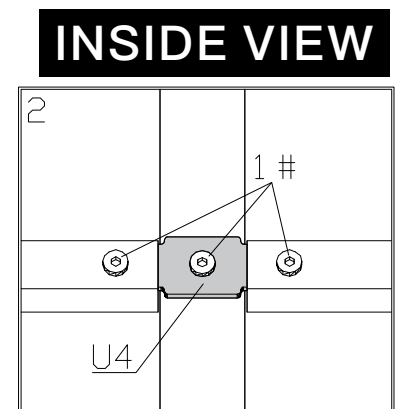
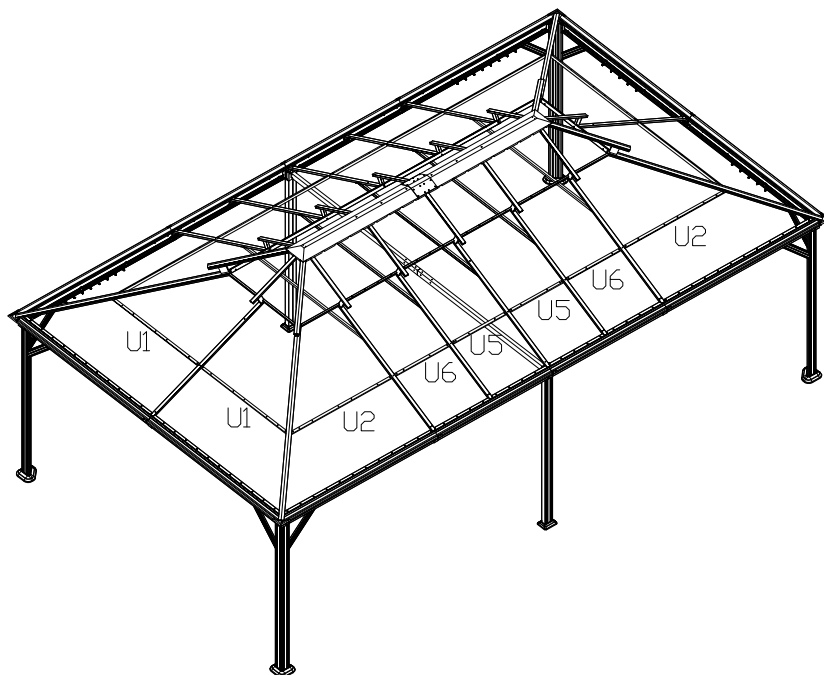


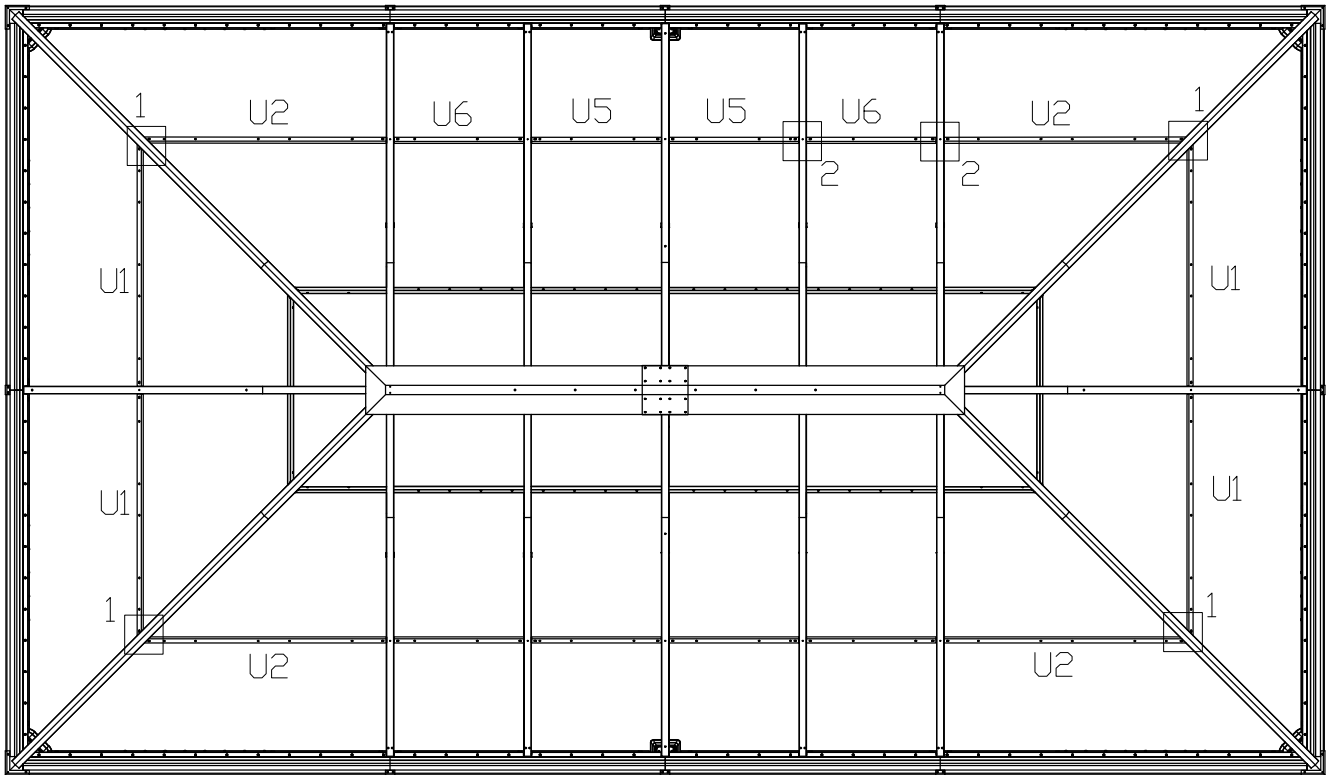
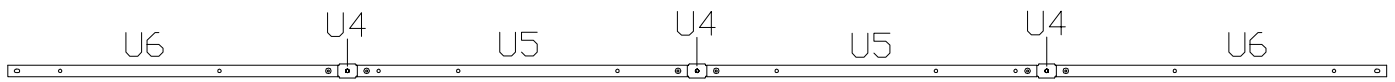
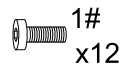
1. Attach 5 Parts #07 to the frame and secure them with 10 Bolts 1#.
2. Screw Hooks #R1 onto the Bar Part #07.



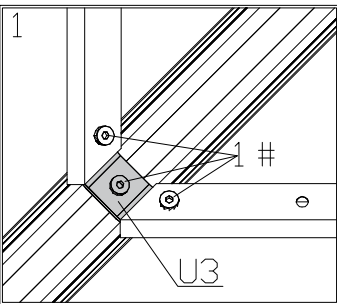
Note: If U5 does not fit properly, the ends of the solidifying bar may be installed in reverse. Insert the Bracket U4 into 2 Part U5 and secure them with 2 Bolts 1#, then attach them to assembled Middle Roof Tube with 1 Bolts 1#.

Repeat the above procedure to assemble the other 11 positions.

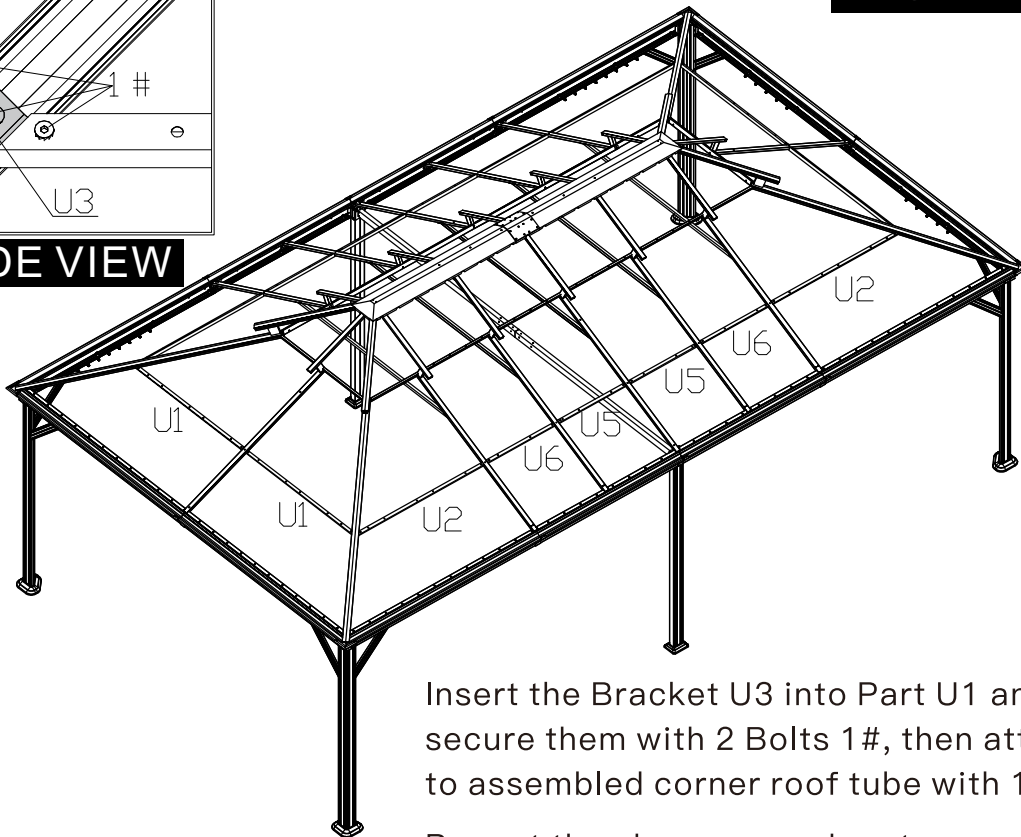




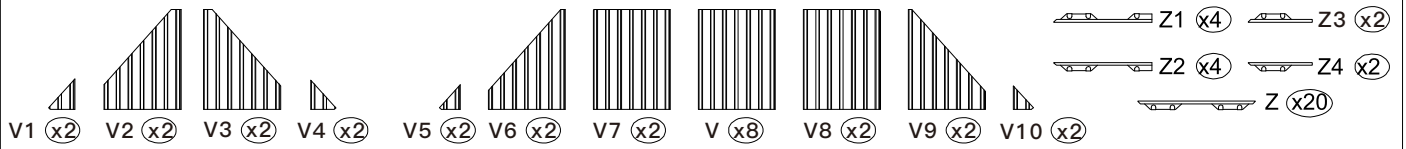
TOP VIEW



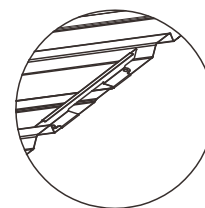
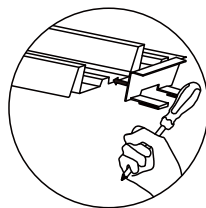
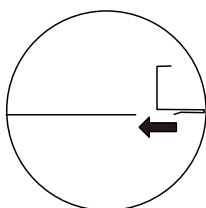
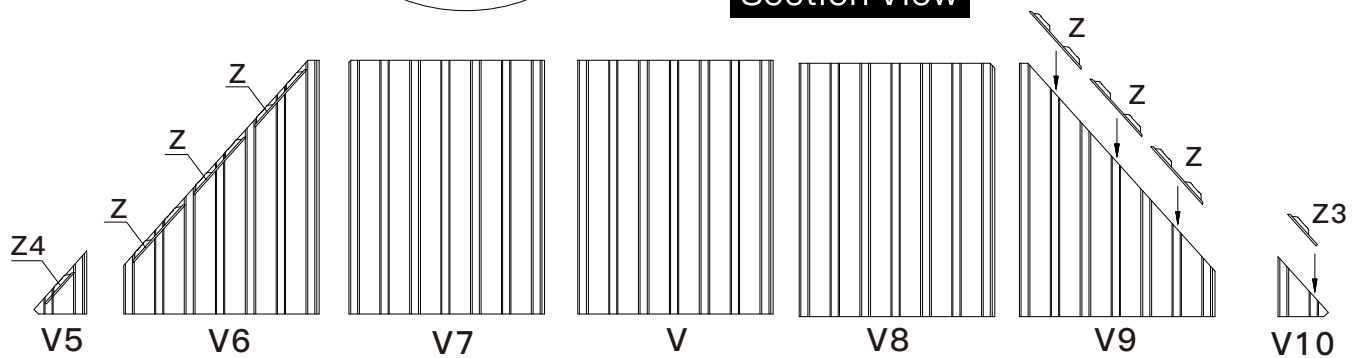
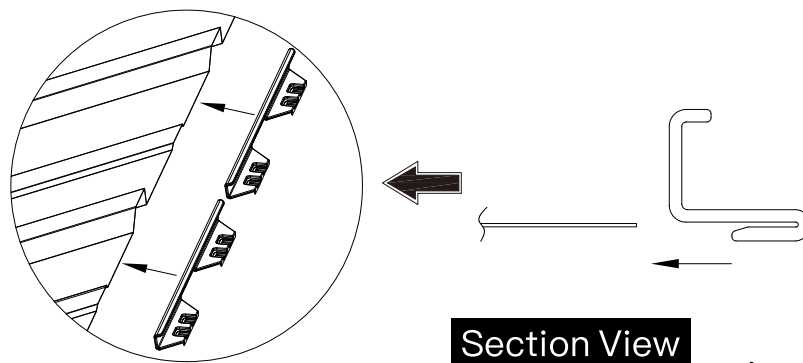
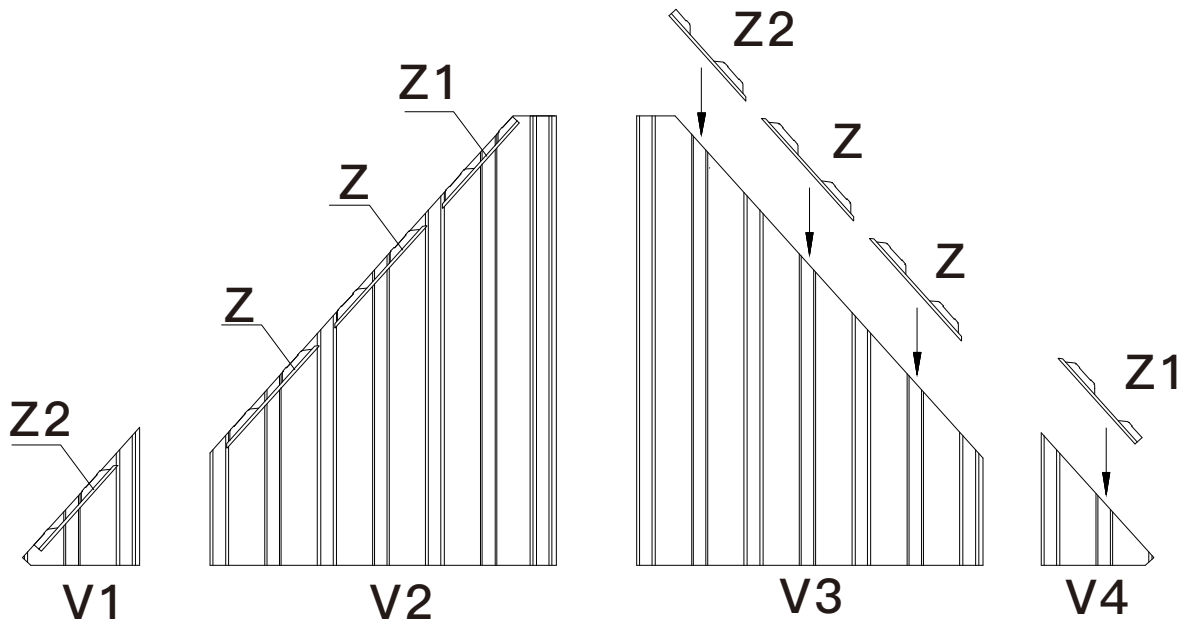
INSIDE VIEW



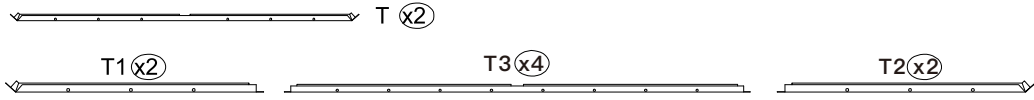
Insert the Bracket U3 into Part U1 and U2, and secure them with 2 Bolts 1#, then attach them to assembled corner roof tube with 1 Bolts 1#. Repeat the above procedure to assemble the other 3 corners.



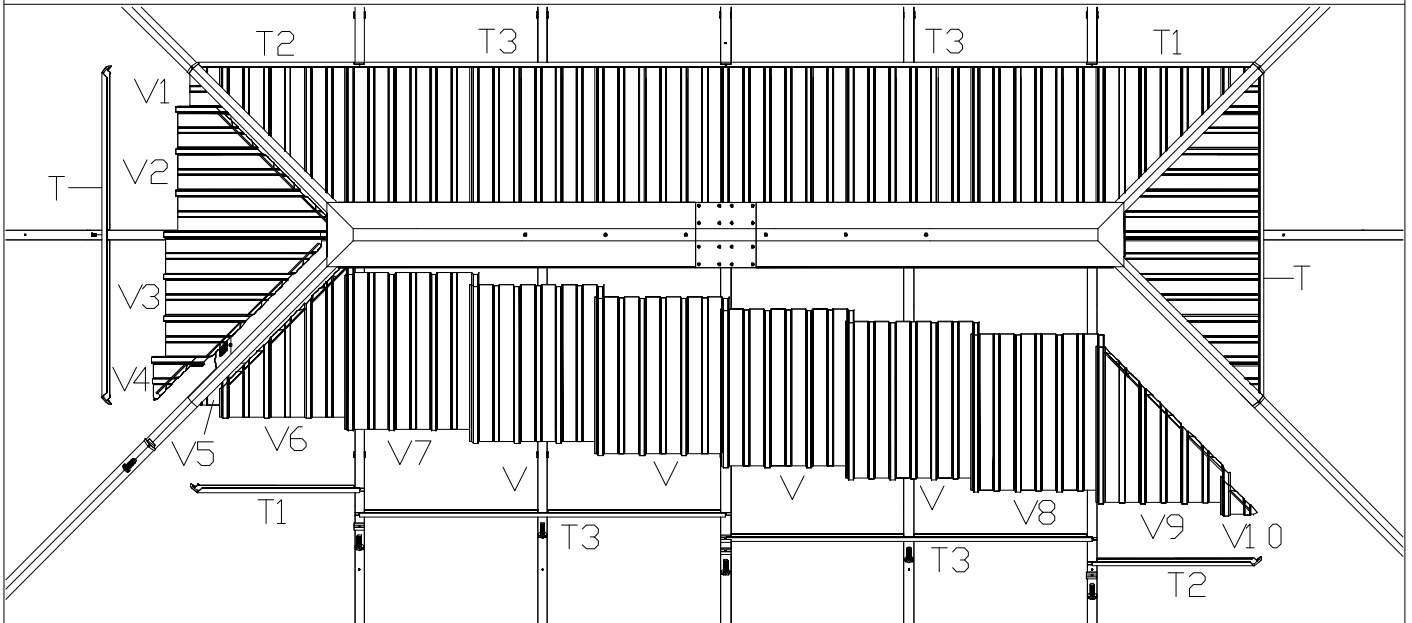
Remove the protective film of the panels before installing the roof panels.
Please install Plastic Clips in strict accordance with the instructions.



Attach Part #Z,#Z1,#Z2,#Z3 & #Z4 by lightly tapping with screwdriver.



SMALL ROOF ASSEMBLY:

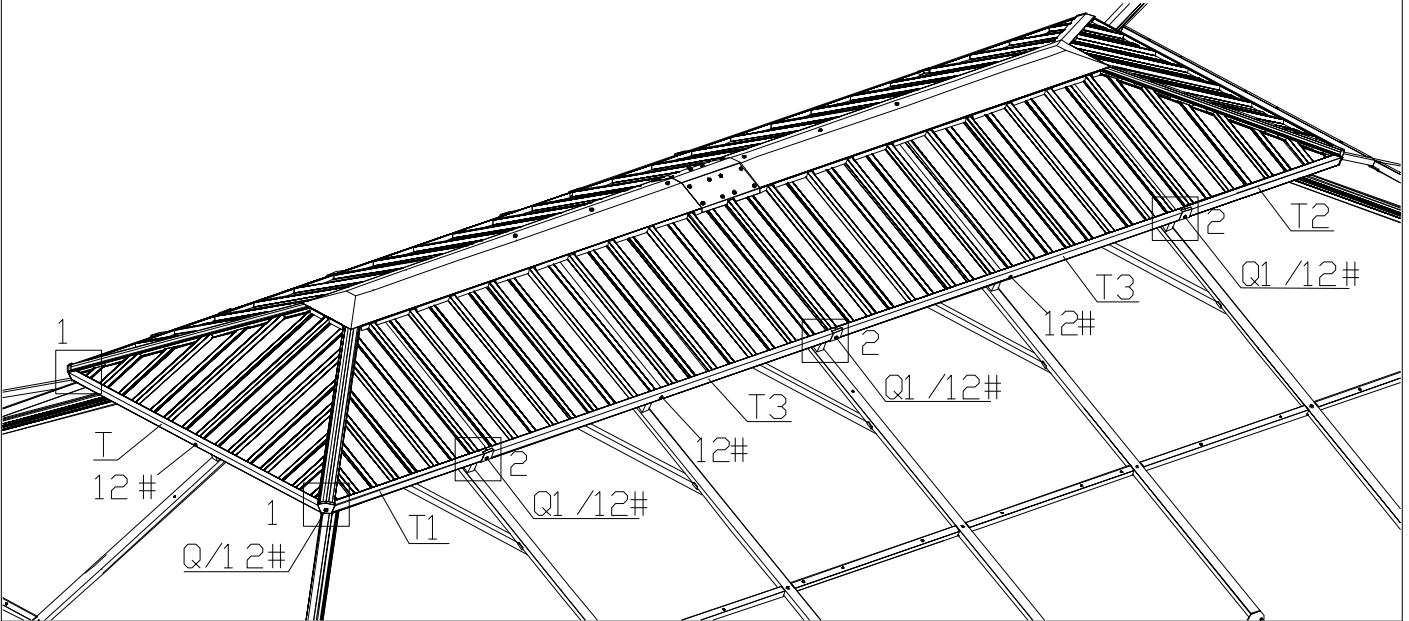
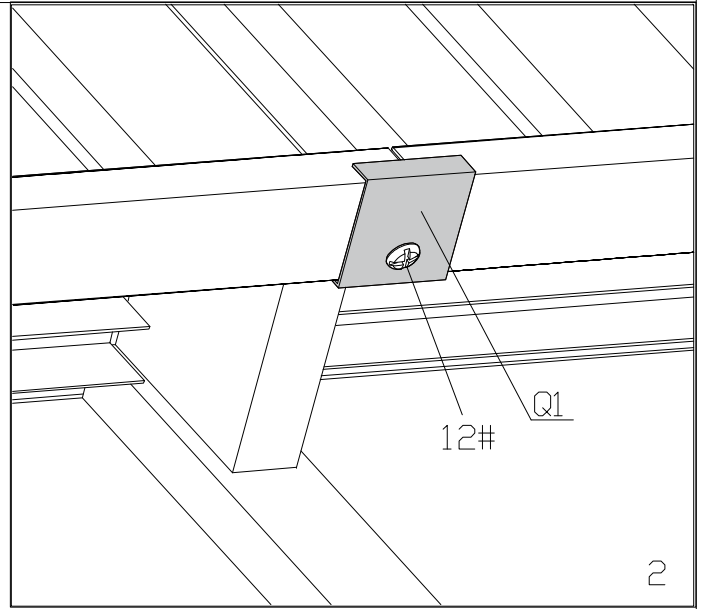
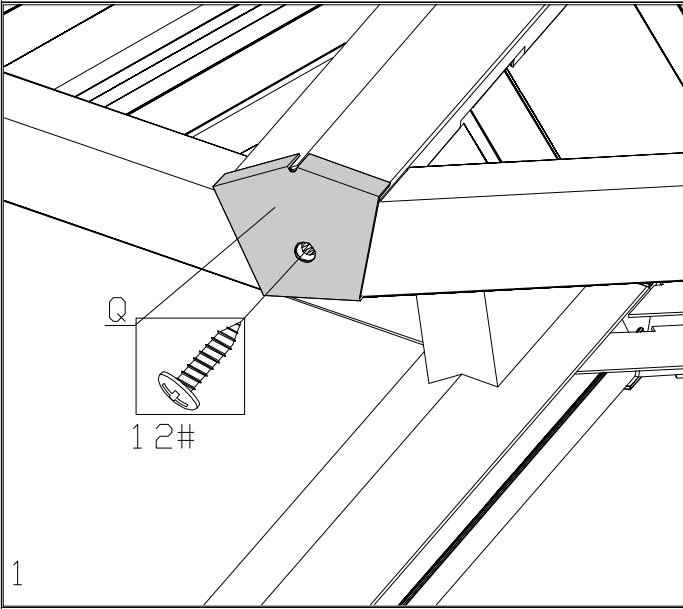


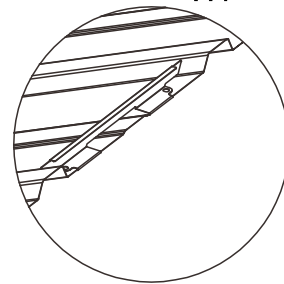
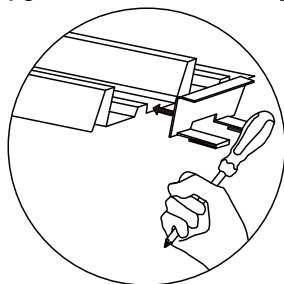
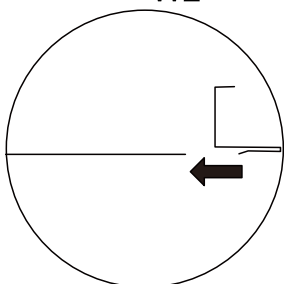
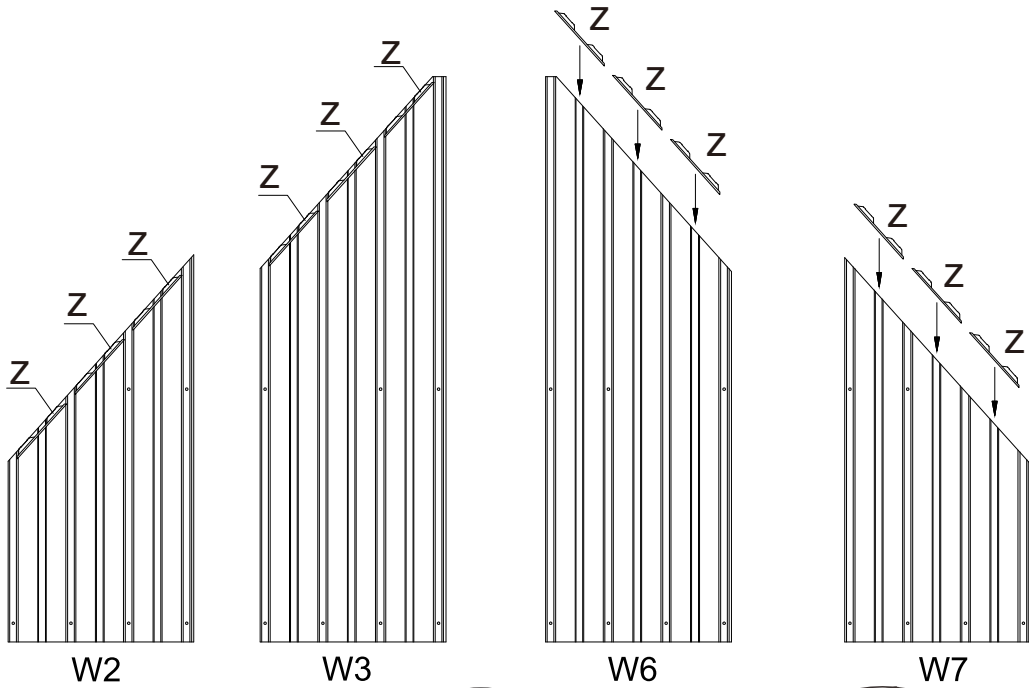
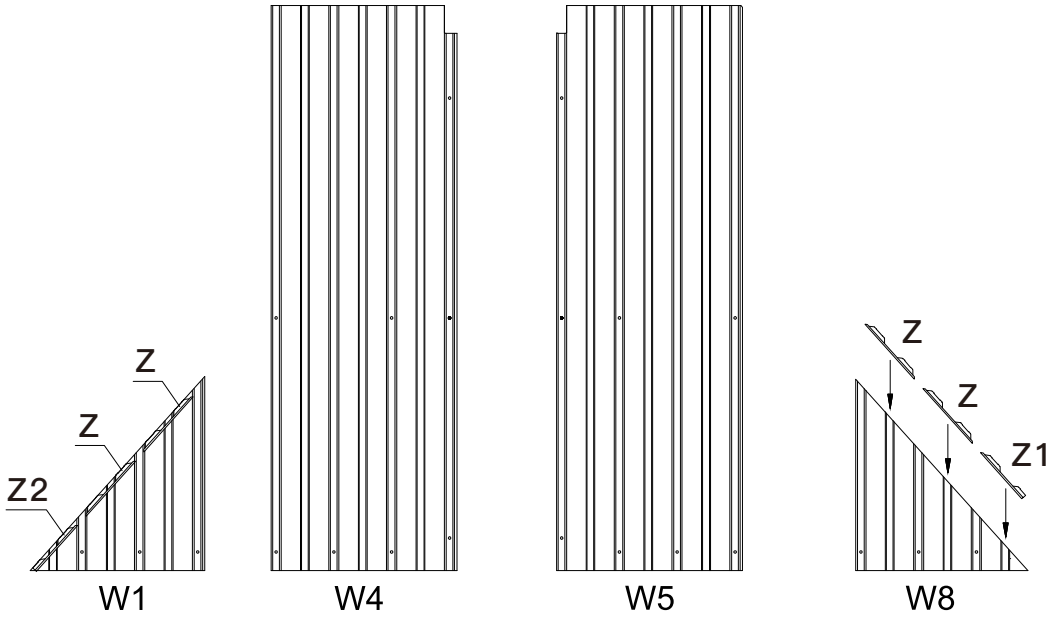
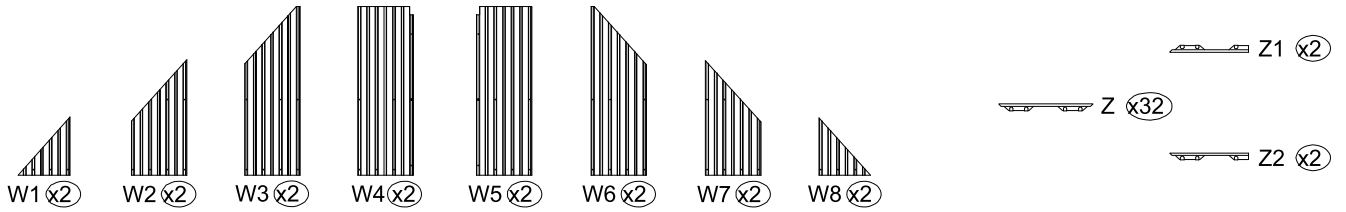
If you can't install #V, push the Outside Roof Cover up and try to insert them again.

Q (x4)

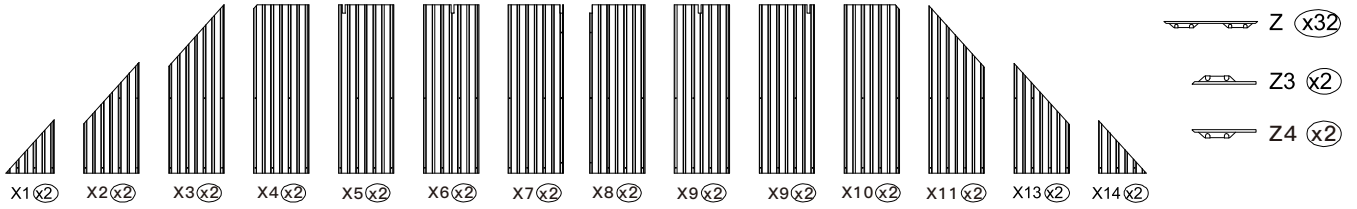
Q1 (x6)

12#
x16

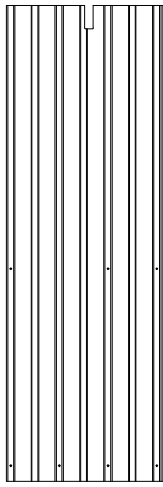




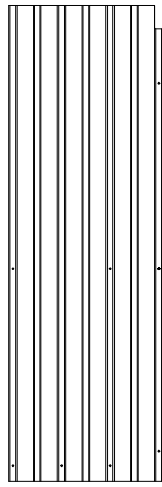
Attach Part #Z,Z1,Z2 by lightly tapping with screwdriver.



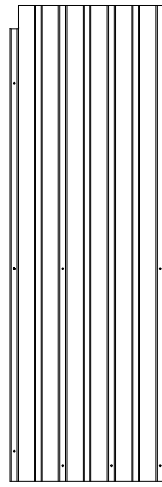
X1 (x2) X2 (x2) X3 (x2) X4 (x2) X5 (x2) X6 (x2) X7 (x2) X8 (x2) X9 (x2) X9 (x2) X10 (x2) X11 (x2) X13 (x2) X14 (x2)



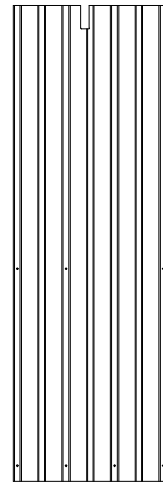
X6



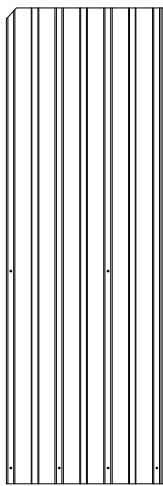
X7



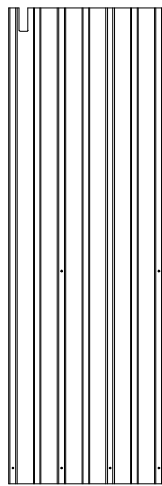
X8



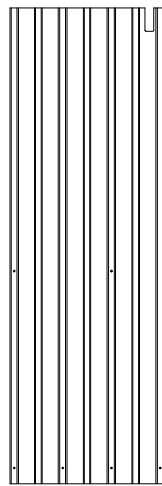
X9



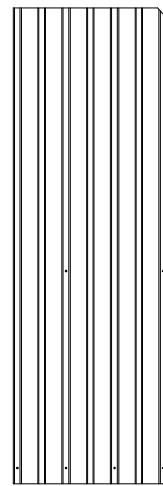
X4



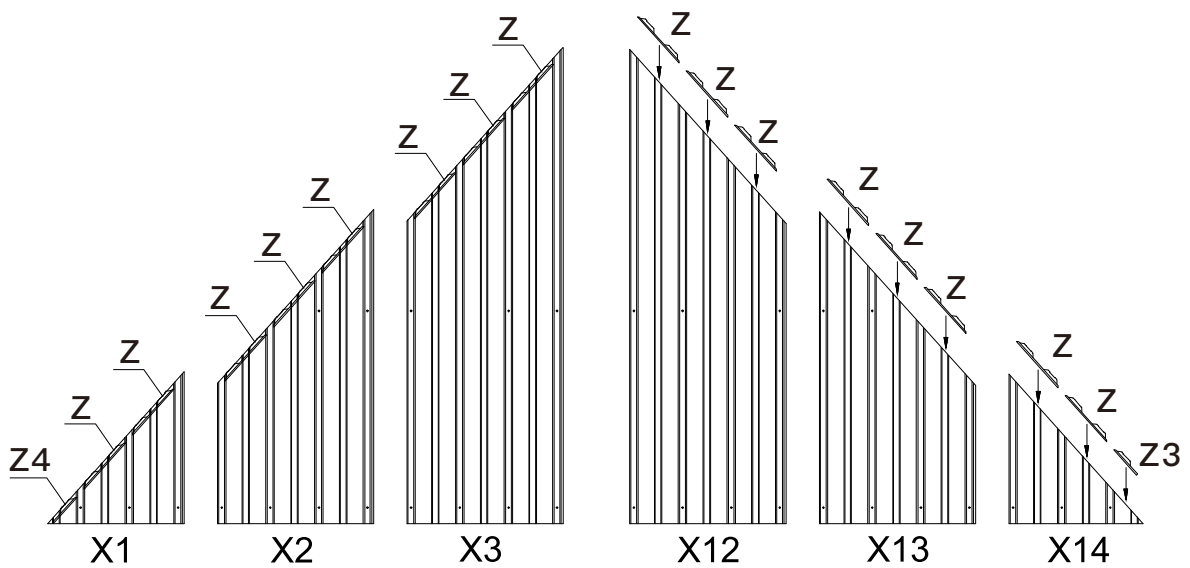
X5



X10

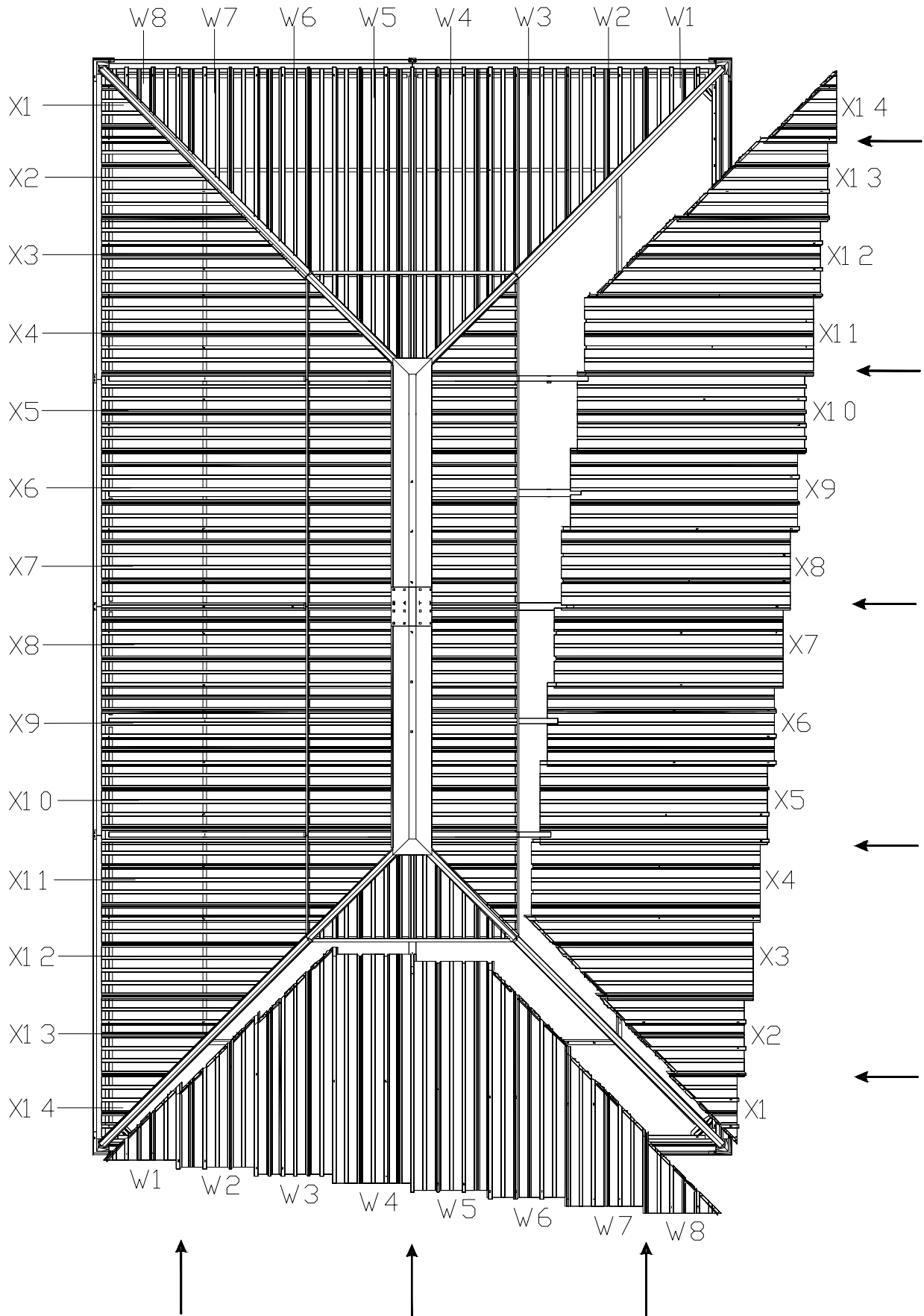


X11

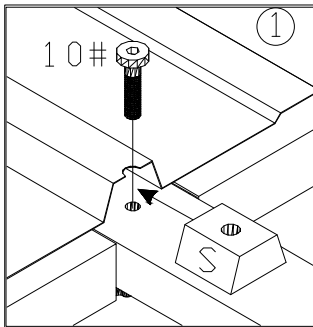
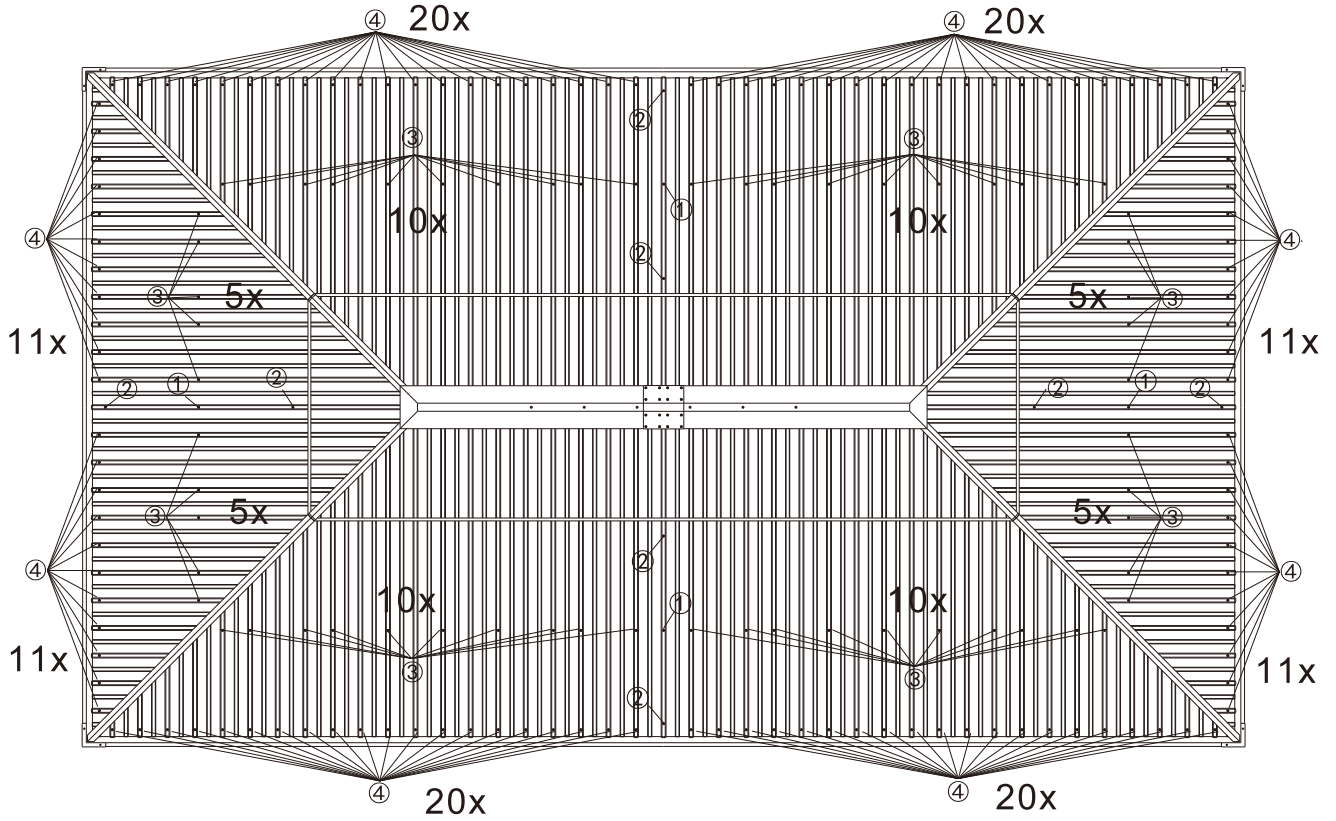
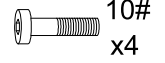
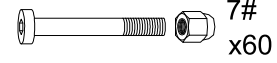
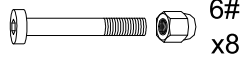
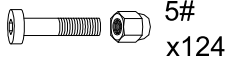
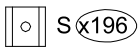


Please install Clips #Z, Z3, Z4 in strict accordance with the instructions.

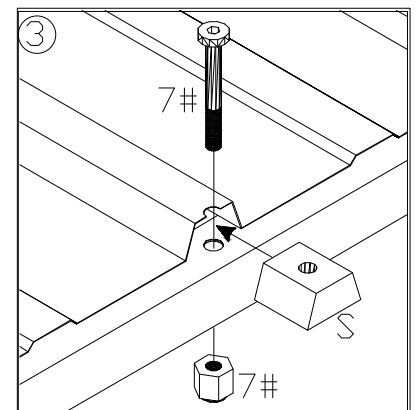
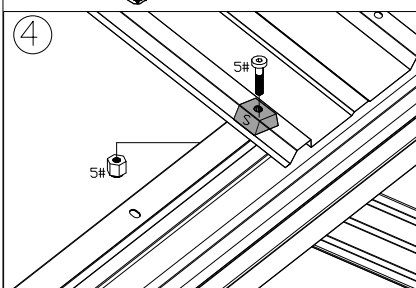
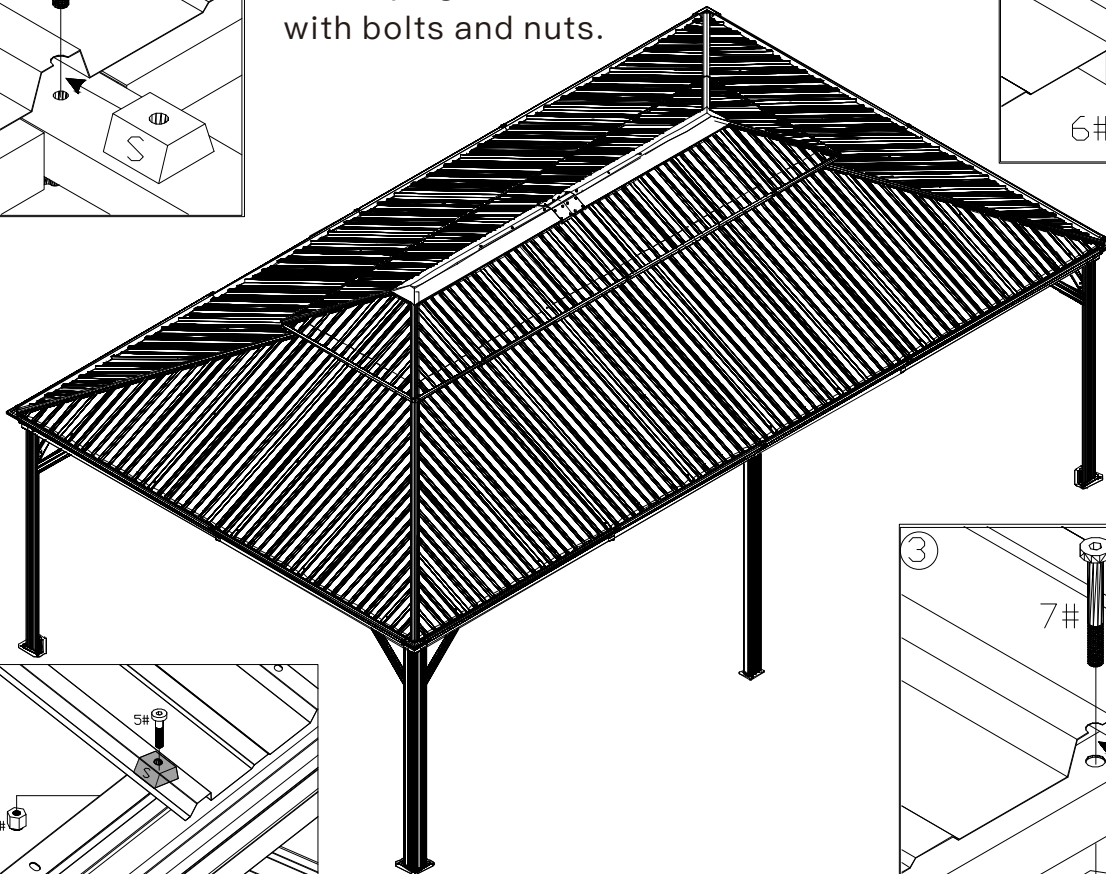
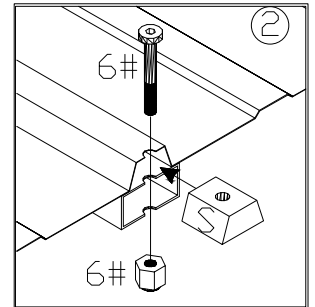
OVER ALL ROOF PANELS ASSEMBLY:



Install the Middle Panels (#X7,X8 or #W4,W5) first,
then the small panels on the edge.

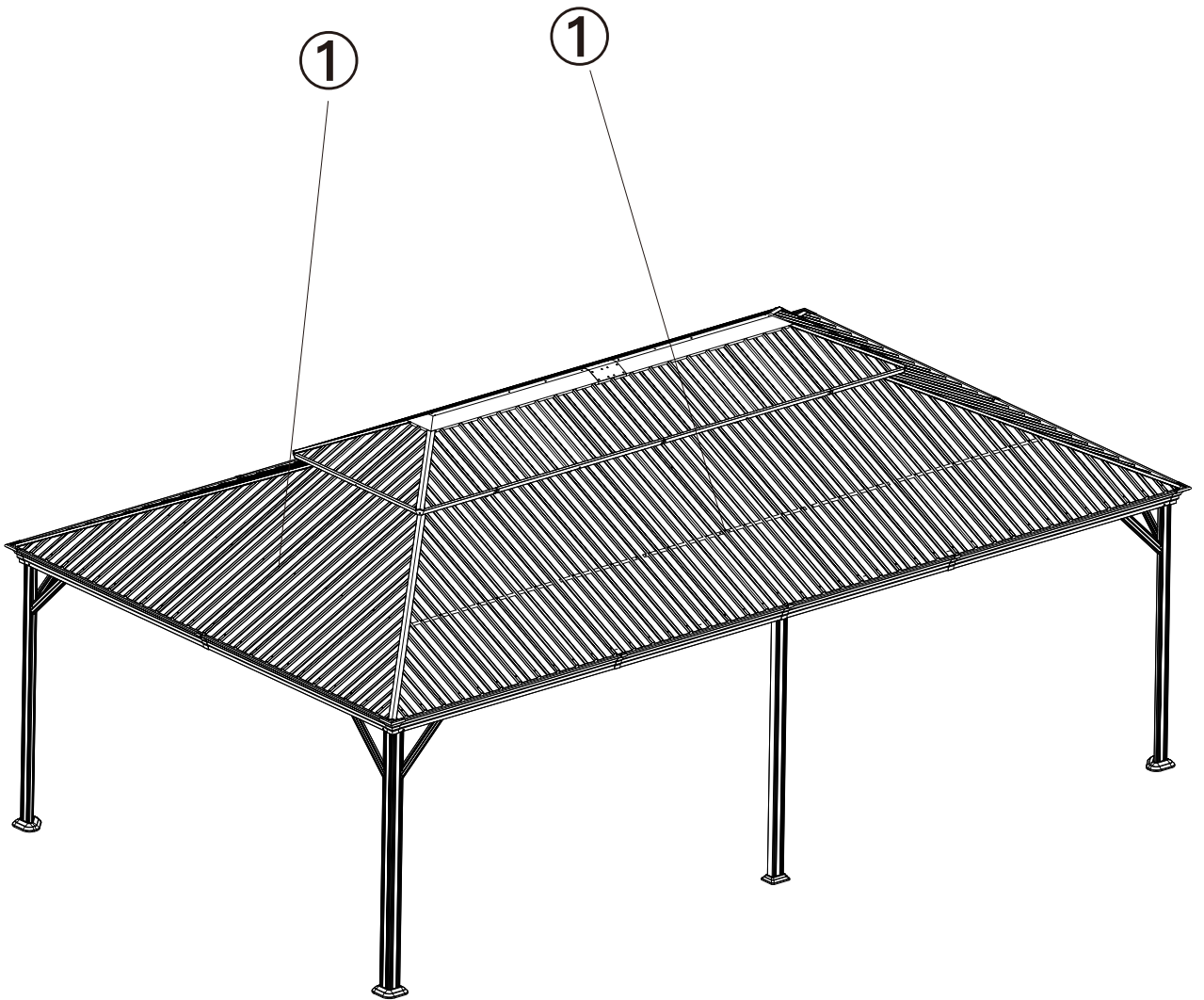
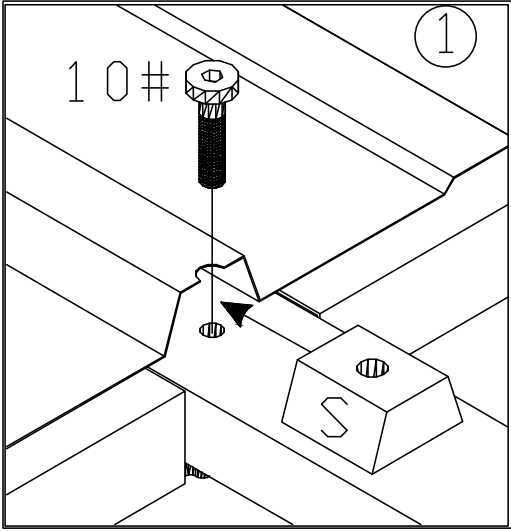


NOTICE: The Black Rubber #S should be inserted between roof panels and solidifying bars or beams, then secure with bolts and nuts.



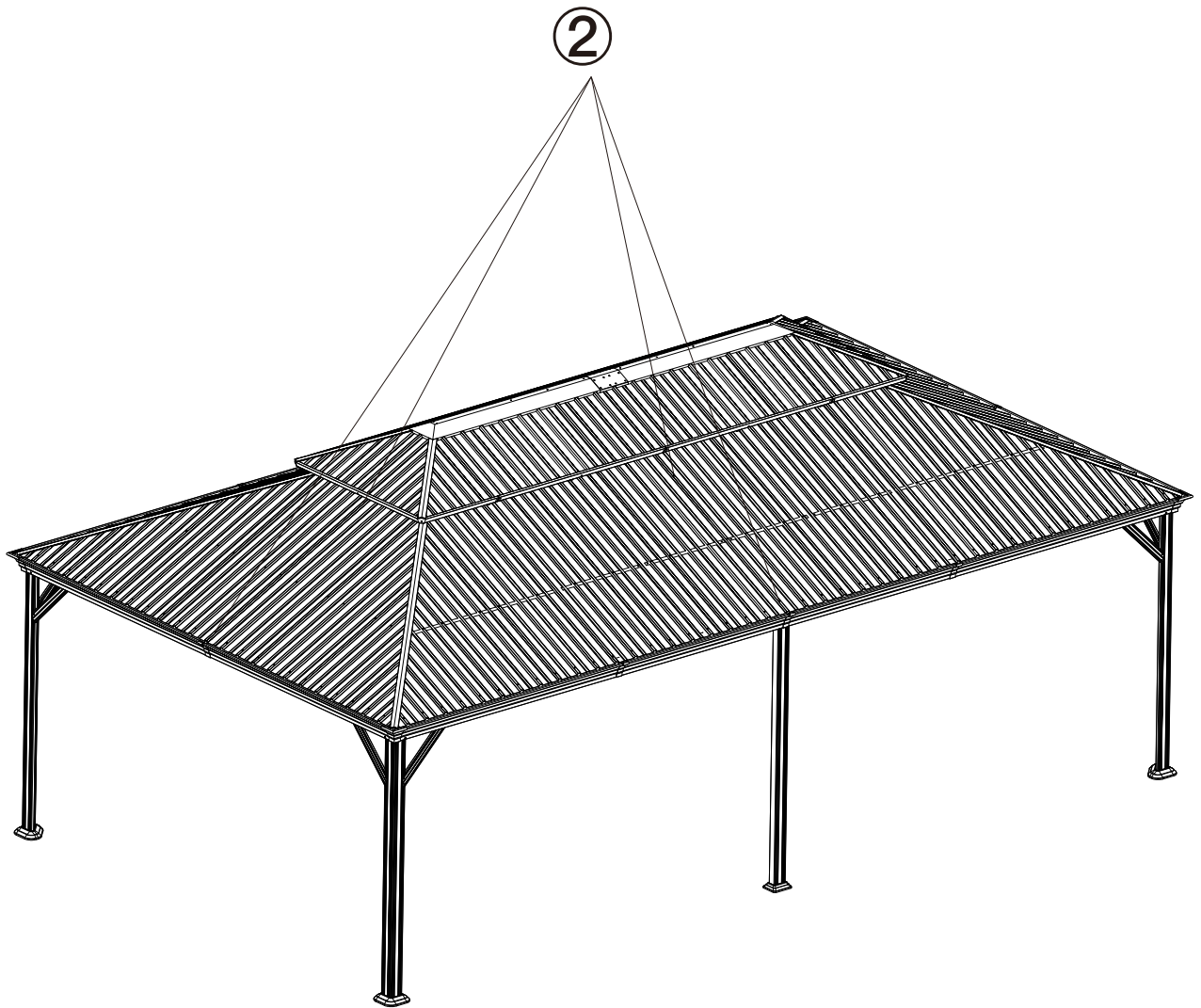
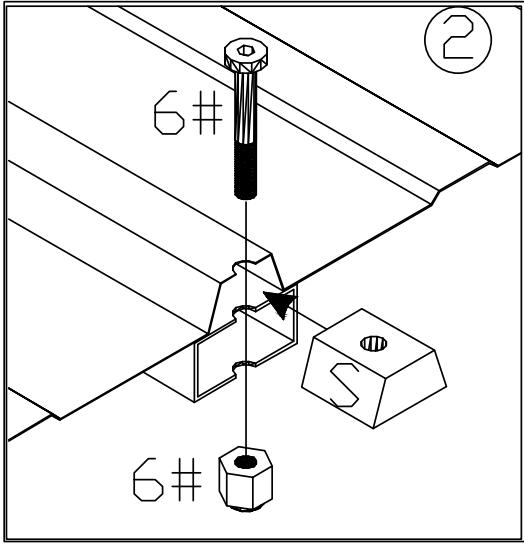
S x4

10#
x4



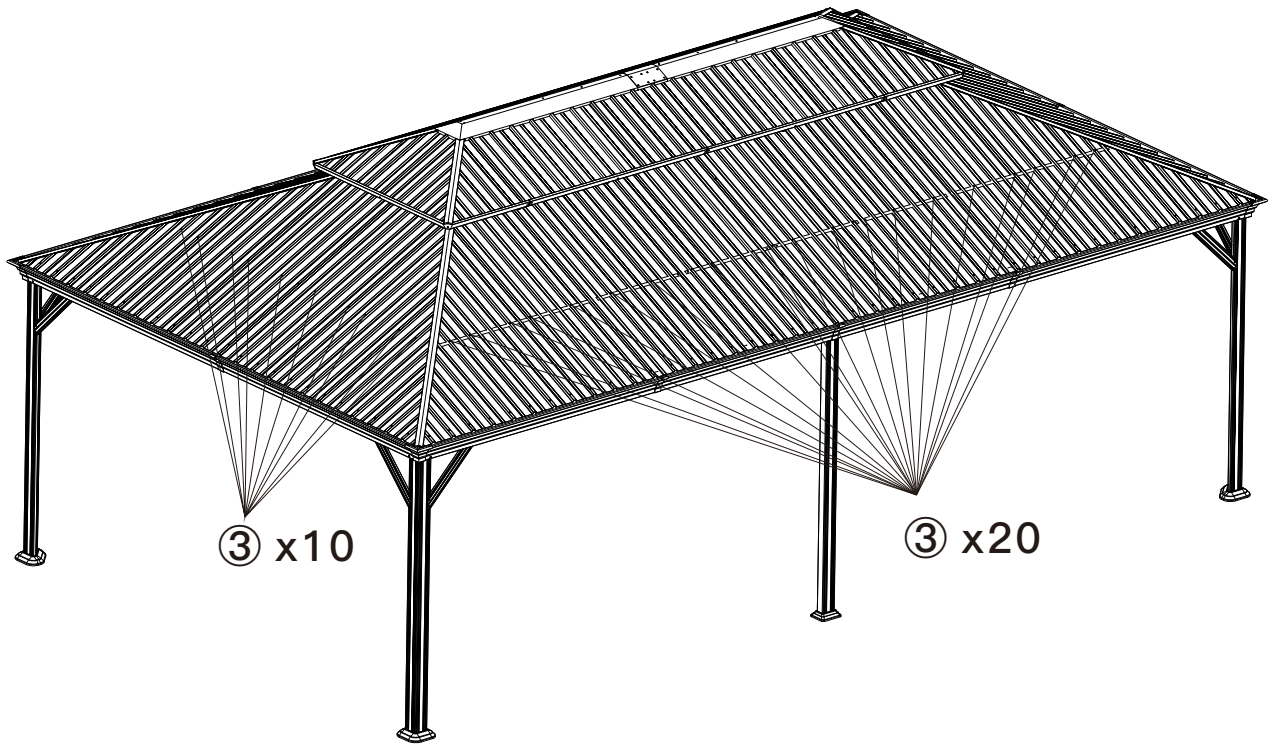
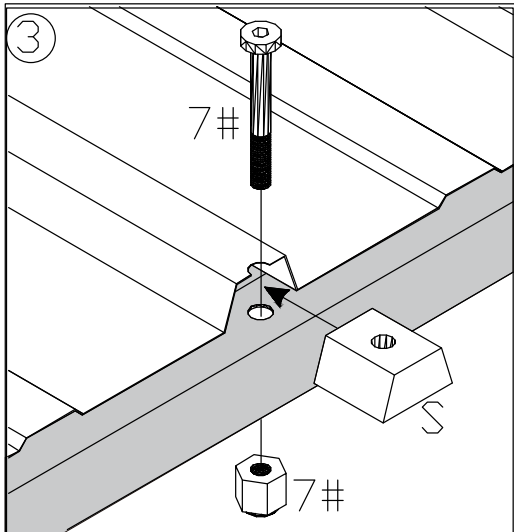
S x8

6#
x8



S x60

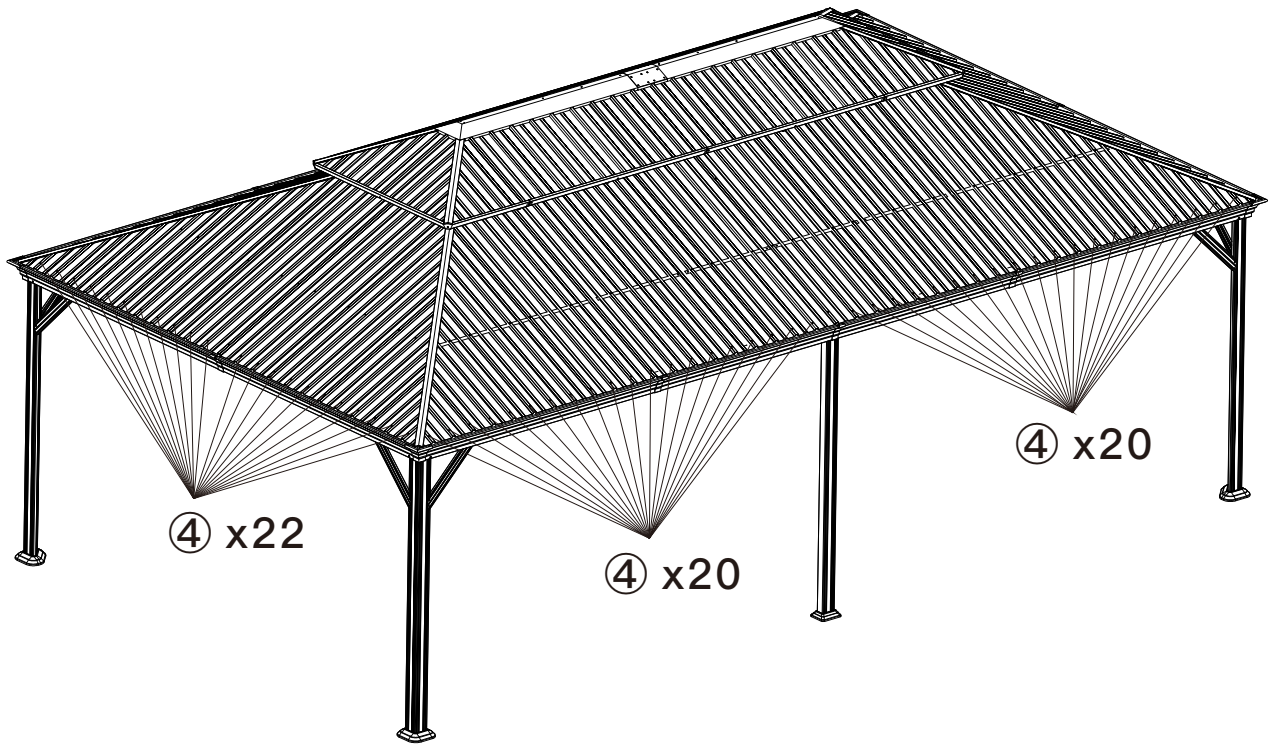
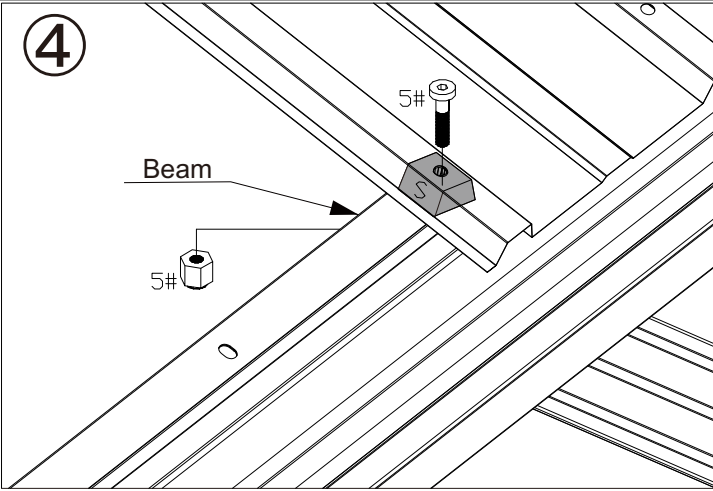
7#
x60

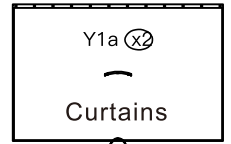
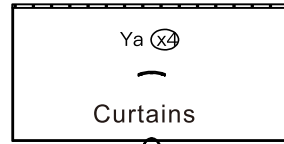
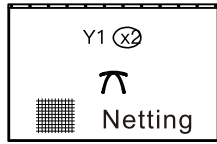
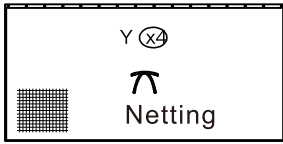


S x124

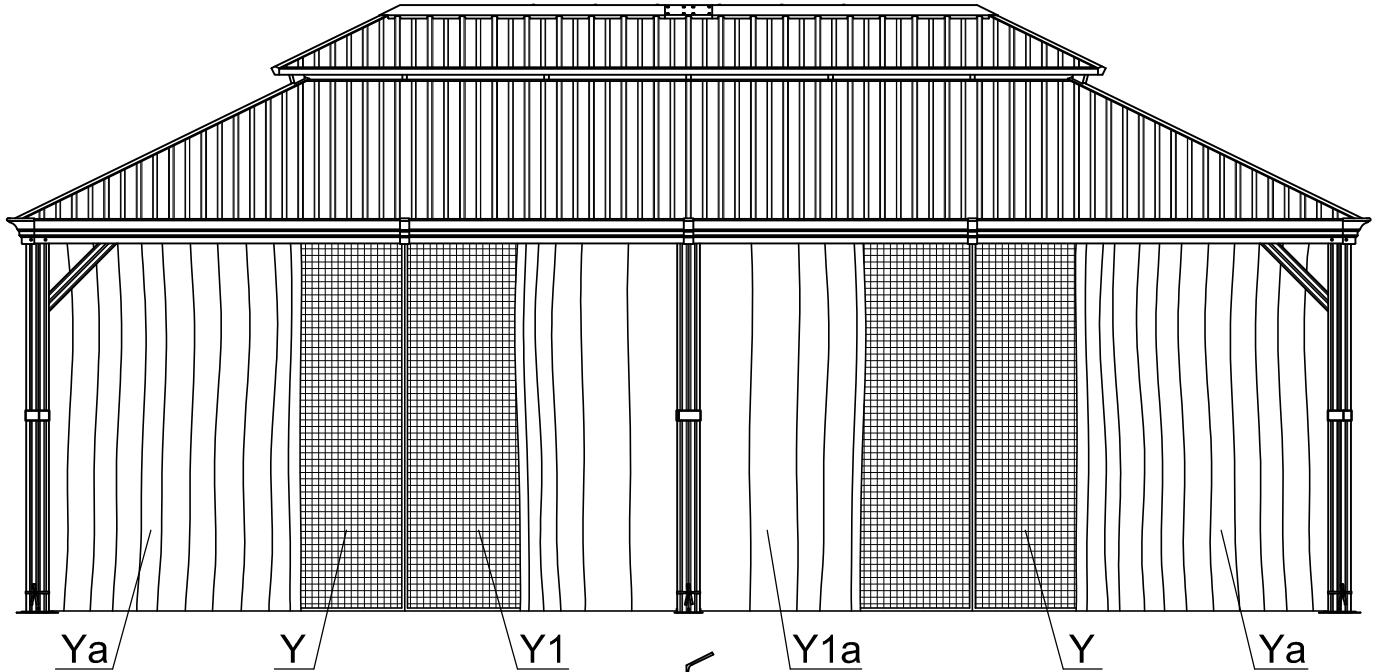
5#
x124

④

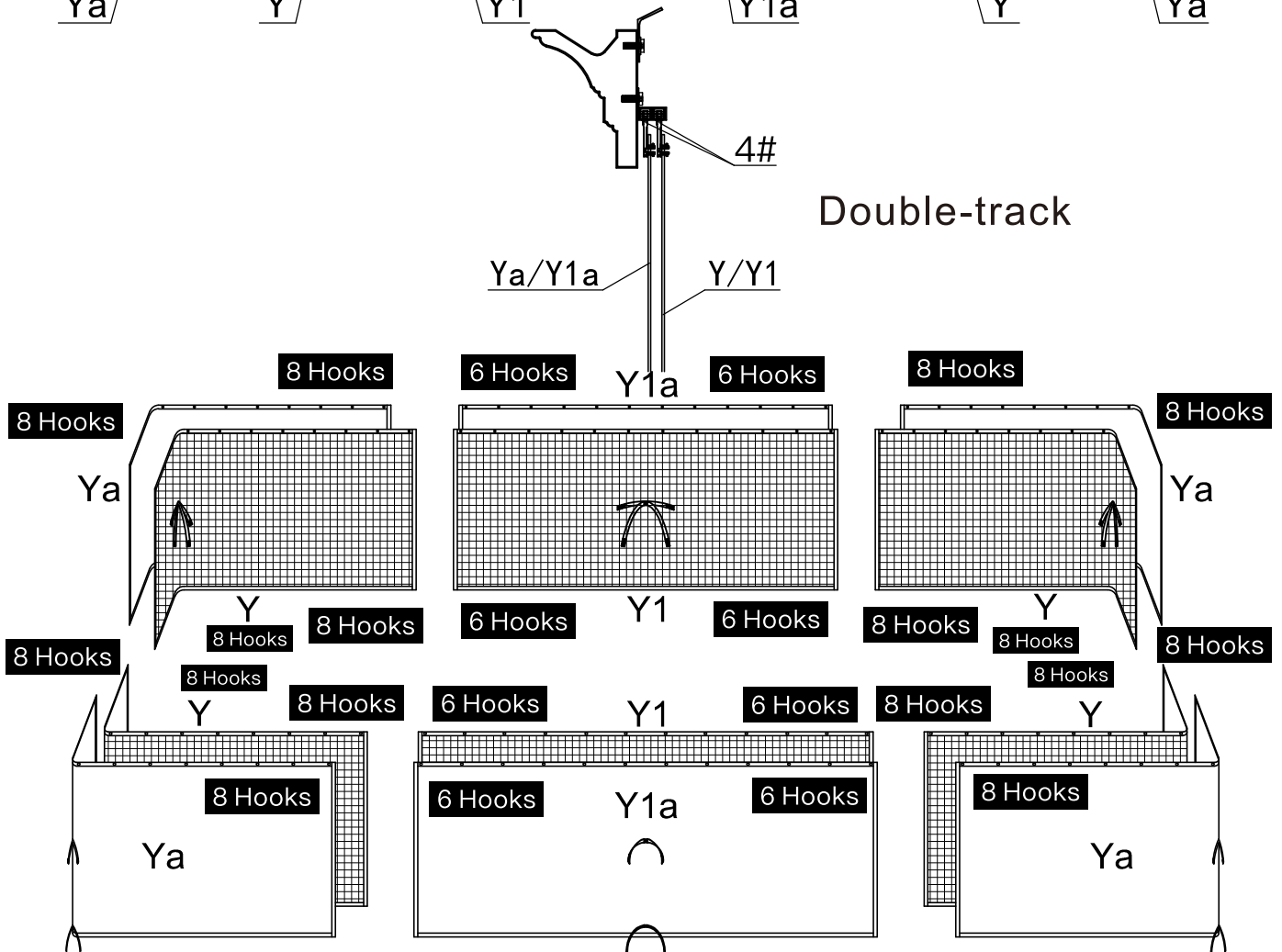


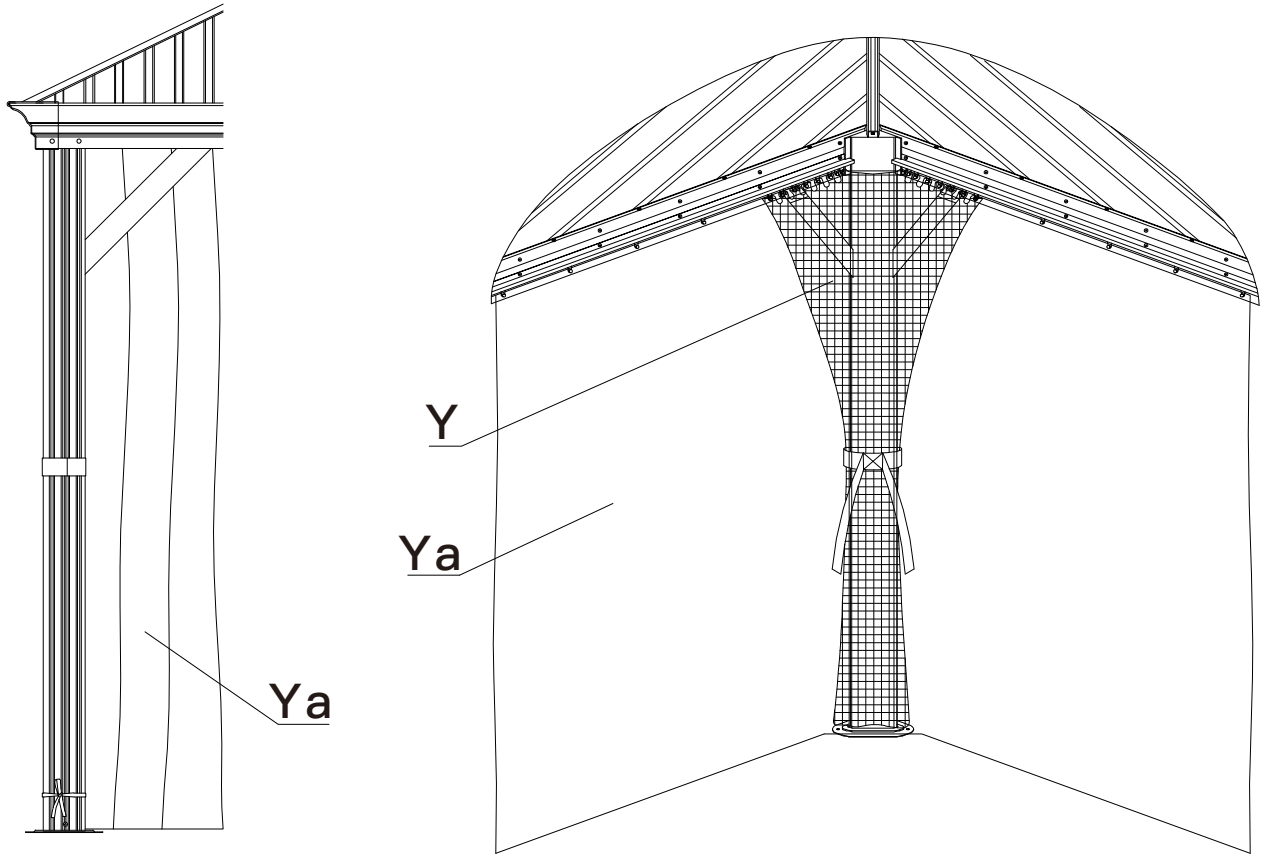


MOSQUITO NETTING AND CURTAINS ASSEMBLY:

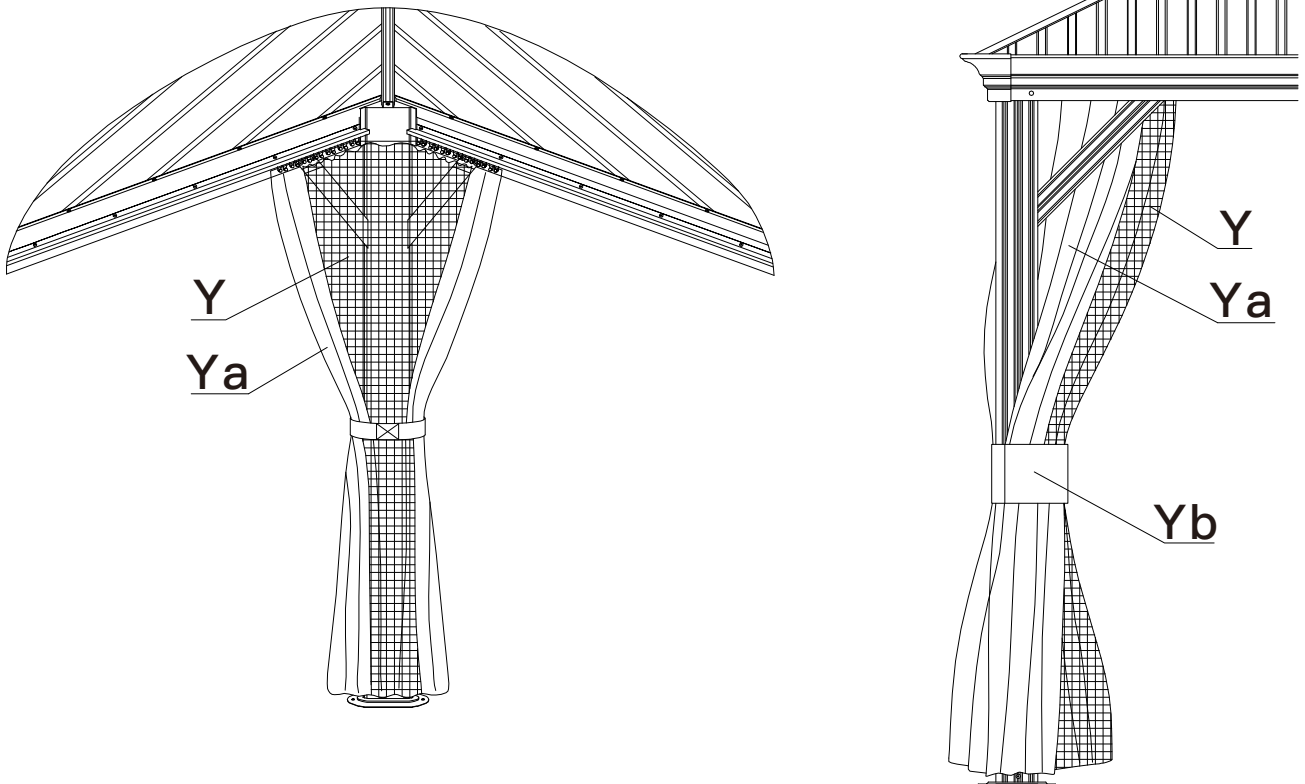


Double-track





Please open your gazebo curtains when wind speed exceed 30 mph wind, and tie them with Straps #Yb.





Thanks for your purchase.

At domi outdoor living, we believe in our products.

That's why we provide a 12-month warranty and friendly, easy-to-reach after-sales service. So, if you have any questions about our product or assembly, please feel free to contact us. We are here for you.

Support:  

After-sales contact email:

service@domioutdoorliving.com

Business cooperation contact email:

marketing@domioutdoorliving.com

Please have your order ID available if you reach out for support.

If you have damaged parts or product, please send us photos for an immediate response.