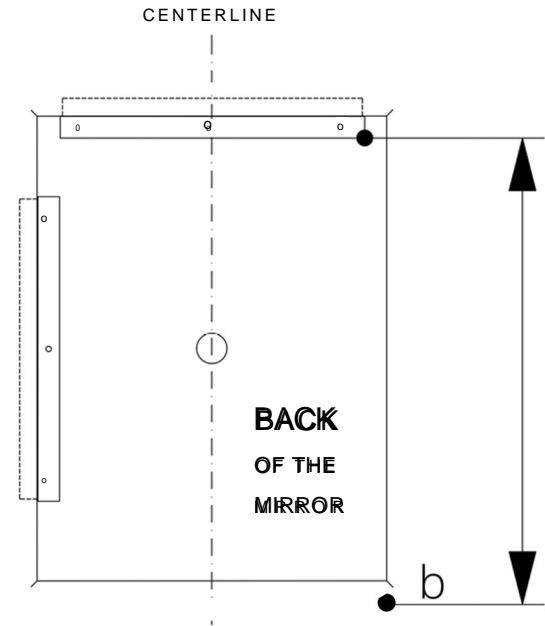


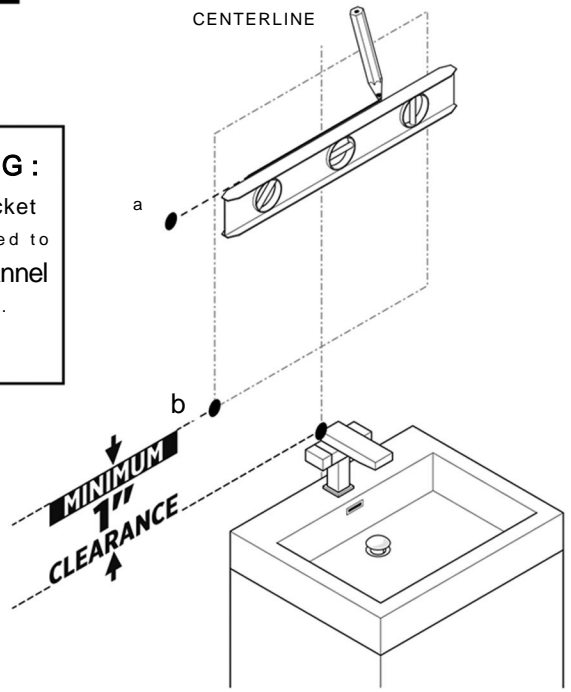
# INSTALLATION INSTRUCTIONS

1 Measure the distance between the bottom of the mirror and point a.



**WARNING:**  
Mounting bracket must be attached to furring strip/channel or wall stud.

2 Draw a horizontal line from the point a using a level.

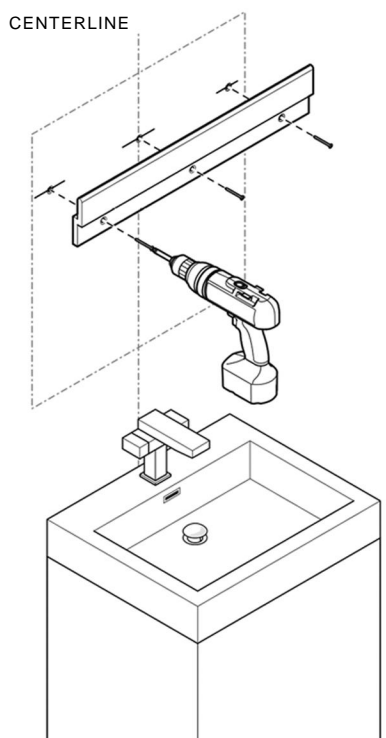


\*HORIZONTAL & VERTICAL MOUNT OPTION AVAILABLE.

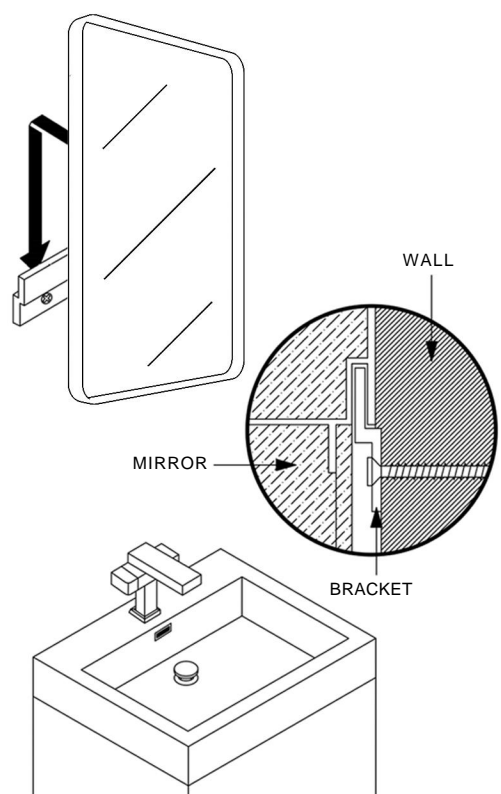
3 Attach the mounting bracket to the wall.

Accessories

	1PCS		2PCS
--	------	--	------



4 Hang the mirror on the mounting bracket.



Customer service

For more information about our products, please contact us below:

+1 (909)999-0175

sales@onwithhome.com

**Do not return product to the store. Contact us directly with any questions.**