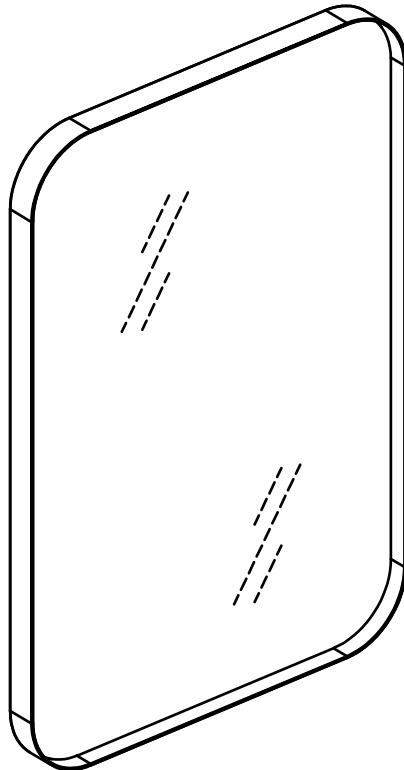


Serial Number:BMV18-30
R1.1



**For Technical support or questions, please call
us at + 1 302 336 8180.**

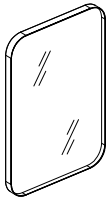
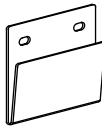
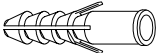

Thank you very much for choosing our mirror. For your safety, it is very important that the following instructions are read carefully and completely before beginning the assembly and installation of this mirror:

WARNING -TO REDUCE INJURY TO PERSONS:

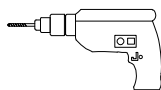
1. It is strongly recommended that two or more adults install this mirror.
2. Always wear suitable eye protection before drilling.
3. Use this product only for its intended use as described in these instructions. Do not use attachments/accessories not recommended by the manufacturer.
4. Never operate this if it has been dropped or damaged, or dropped into water.
5. Do not use outdoors. FOR HOUSEHOLD AND INDOOR USE ONLY.
6. Do not operate where aerosol (spray) products are being used or where oxygen is being administered.
7. The appliance is not to be used by persons (including children) with reduced physical, sensory or mental capabilities, or lack of experience and knowledge, unless they have been given supervision or instruction. Children should be supervised to ensure that they do not play with the appliance.

Important notes to follow before installation:

1. The instructions are general versions for reference only. The installation methods are basically the same. If you have any doubts, please contact customer service.
2. After opening the package, please inspect the product immediately for any damage during transit or missing parts.
3. Remove all parts and hardware from the box along with any plastic protective packaging.
4. Do not discard any contents until after assembly is complete to avoid accidentally discarding small parts or hardware.
- 5. Before drilling, please ensure there are no hidden electrical cables or pipes (water, gas, or electrical) behind hanging points.**
- 6. This mirror must be securely attached to the wall. The hardware used to secure your mirror to the wall depends on your wall material. If your wall material is not listed or if you have any questions, consult with a local hardware retailer.**

Hardware List			
Number	Description	Parts	Quantity
A	Mirror		1PCS
B	Mounting Bracket		2 PCS
C	Anchor		4 PCS
D	Screw		4 PCS

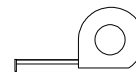
TOOLS (not included)



Electric Drill



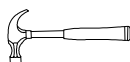
Marker



Tape Measure



Phillips-head screwdriver



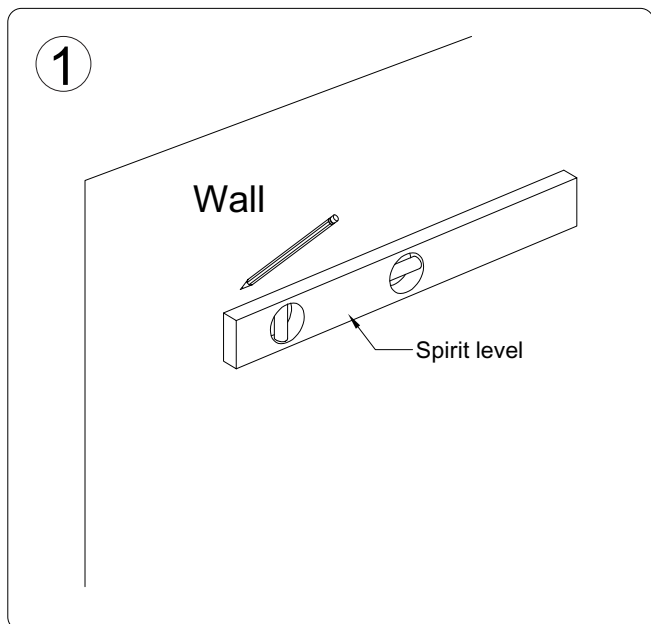
Hammer



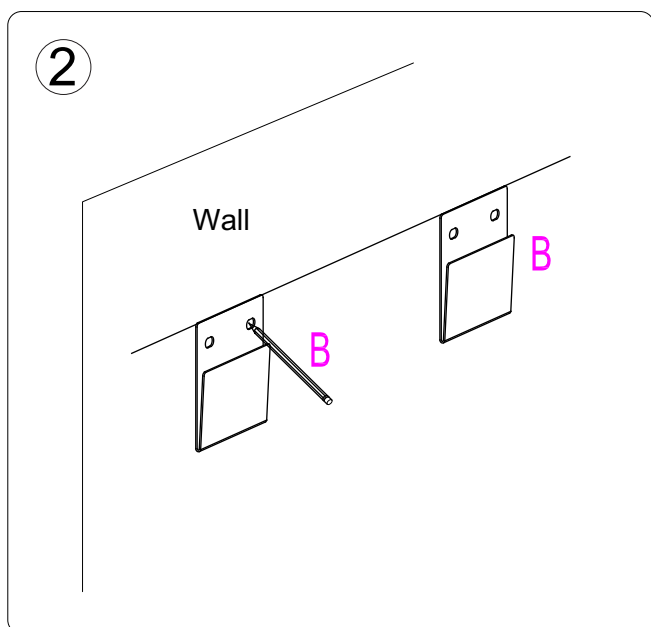
Safety Goggles



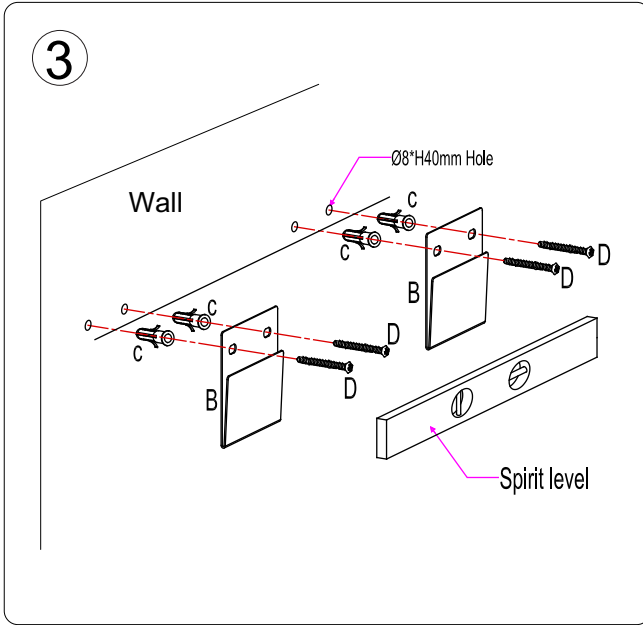
Spirit level



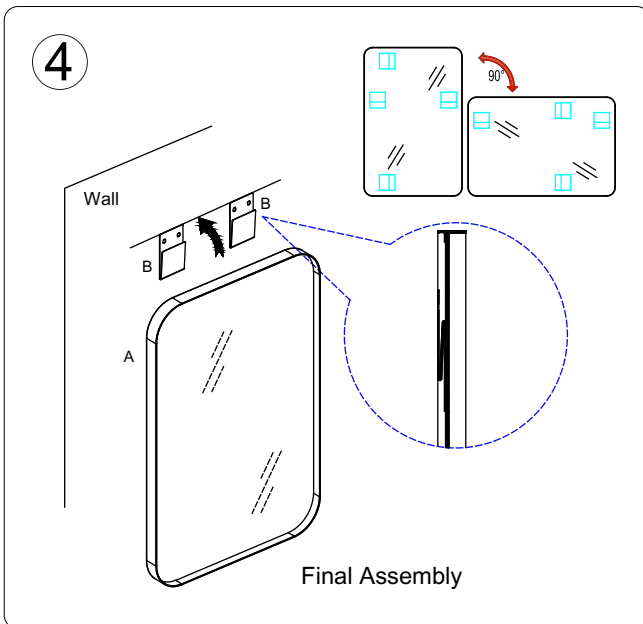
- Use the tool to measure the best mounting location and draw a horizontal line on the wall that matches the length of the mounting bracket.



- After the mounting bracket is aligned with the horizontal line, mark the location where the holes need to be drilled.



- Use anchor(C) and screw(D) to fix the mounting bracket (B) to the wall.



- Hang the mirror on the mounting bracket.

WARRANTY:

If under normal use and for the full time period, your product fails to operate, please contact us. We will be glad to solve the problem for you!

CARE & CLEANING:

1. Use a household liquid glass cleaner to keep the mirror surface clean.
2. Do not use abrasive cleaners containing ammonia.