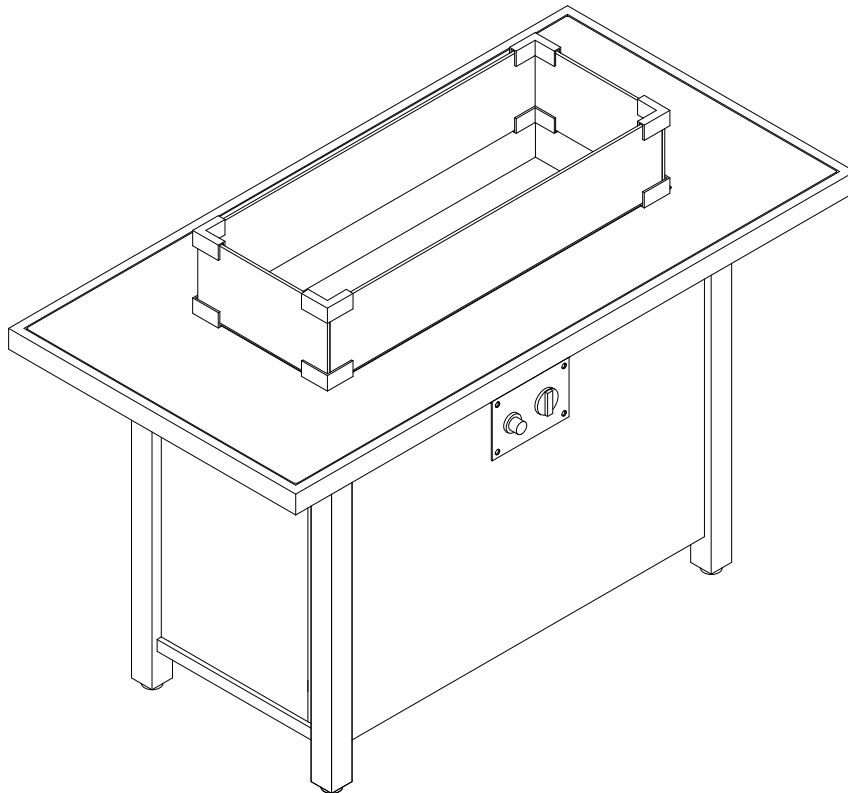


# ASSEMBLY INSTRUCTION

## FIRE PIT TABLE

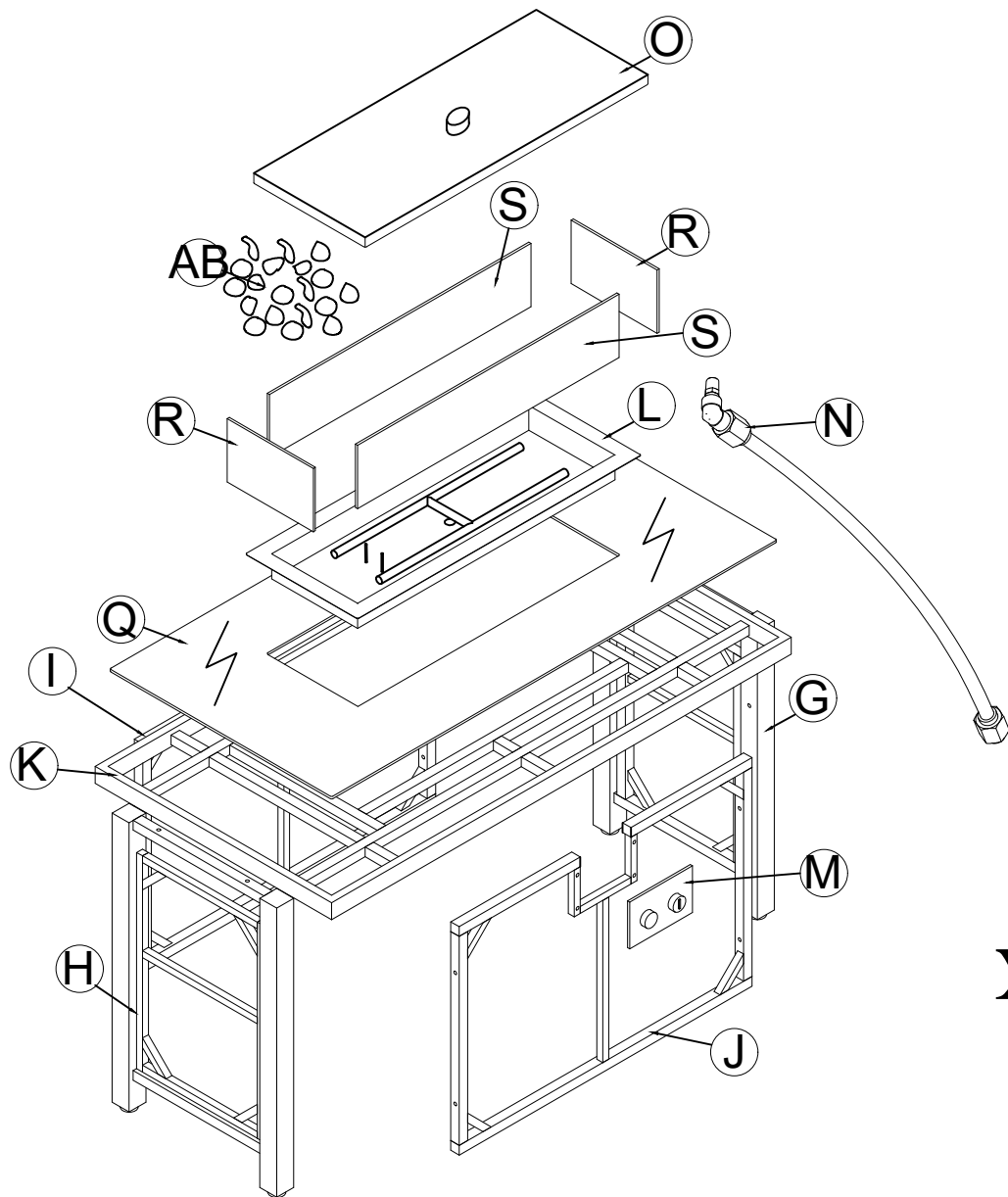


### **N707P210158**

**PLEASE READ AND UNDERSTAND THIS ENTIRE MANUAL BEFORE ATTEMPTING TO ASSEMBLE, OPERATE OR INSTALL THE PRODUCT.**

**Notice:**

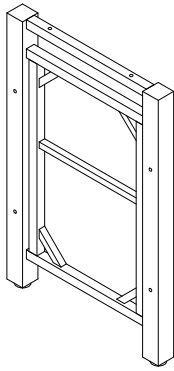
1. 50% Tighten before fixing all screws, Allen wrench is recommended instead of an electric drill.
2. Place the item on a flat ground to adjust and make sure it remains stable.
3. Tighten up all screws with tools gradually.
4. If the screws are not aligned with holes during assembly, please loosen all the other screws to 50% and continue the assembly process.
5. If the item is not stable, please loosen all the screws, adjust it on a flat ground and tighten up all screws again.
6. Note : If one or some screws are fully tightened during assembly, chances are the others will not be aligned with holes. In addition, all the holes are designed to be relatively larger to provide more space for the adjustment of the screws.



**x1**

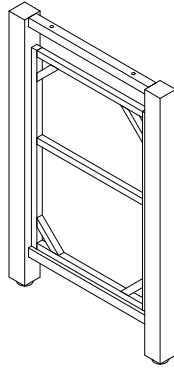
# Part List:

**G** x1



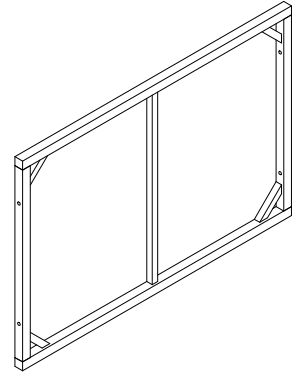
Right Leg Fire Table (1 pc)

**H** x1



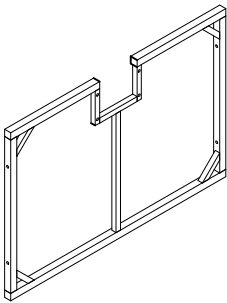
Left Leg Fire Table (1 pc)

**I** x1



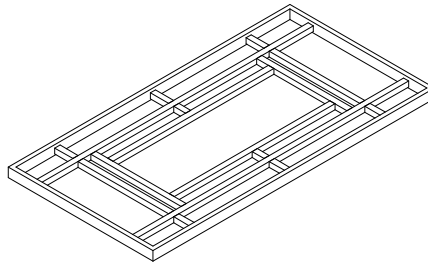
Back Frame Fire Table (1 pc)

**J** x1



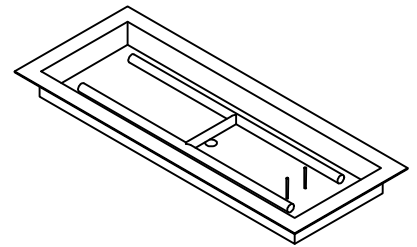
Front Frame Fire Table (1 pc)

**K** x1



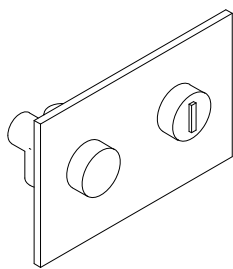
Top Fire Table (1 pc)

**L** x1



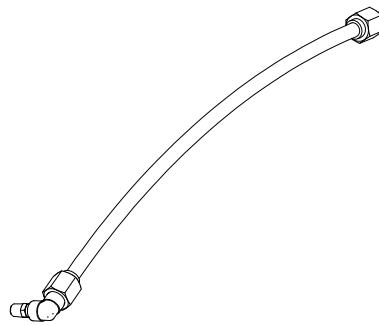
Burner (1 pc)

**M** x 1



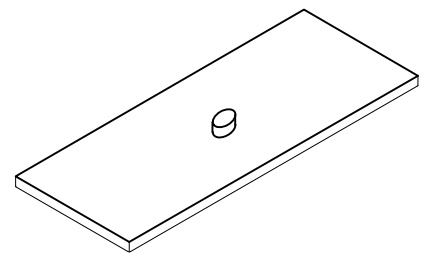
Gas Valve (1 pc)

**N** x 1



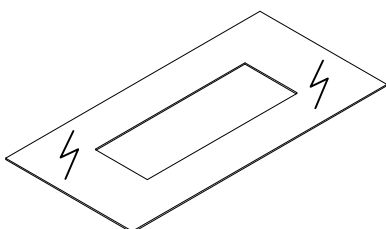
Burner Tube (1 pc)

**O** x 1



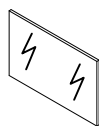
Lid (1 pc)

**Q** x 1



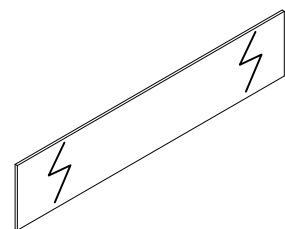
Burner Glass (1pc)

**R** x 2



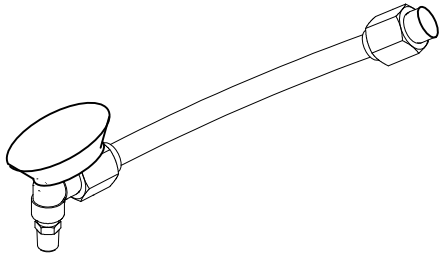
Short Glass (2pcs)

**S** x 2



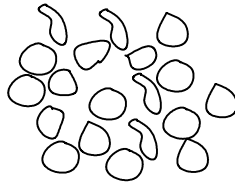
Long Glass (2pcs)

**AA** x 1



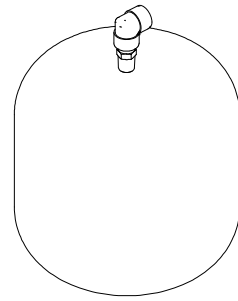
Tube  
(NOT INCLUDED)

**AB** x 2 KG



Lava Rocks

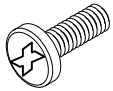
**AC** x 1



The Propane Tank  
(NOT INCLUDED)  
**Take note: supply pressure less than 0.5 PSI**

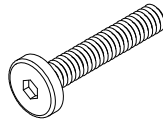
### Hardware List:

**1** x16 pcs



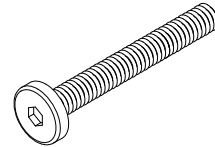
BOLT M6 x 8MM

**2** x4 pcs



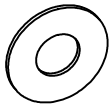
BOLT M6 x 15MM

**3** x16 pcs



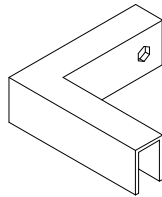
BOLT M6 x 40MM

**4** x16 pcs



FLAT WASHER M6

**5** x8 pcs



GLASS CONNECTOR 1

**7** x1 pc



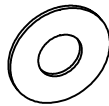
ALLEN KEY M4

**8** x1 pc



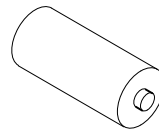
LOCK

**9** x2 pcs



PLASTIC WASHER

**10** x1 pc



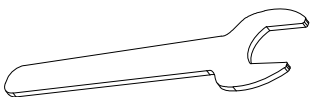
BATTERY AAA  
(not included)

**11** x1 pc



CRESENT  
WRENCH 20

**12** x1 pc



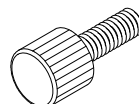
CRESENT  
WRENCH 25

**13** x16 pcs



PLASTIC COVER

**14** x2 pcs



KNOB M6

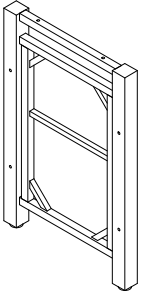
**15** x1 pcs



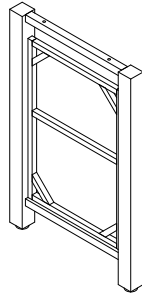
CRESENT  
WRENCH 8

# N707P210158:

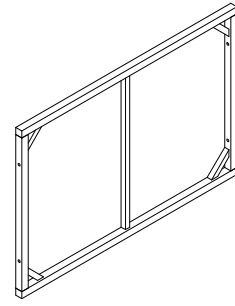
Ⓒ x1



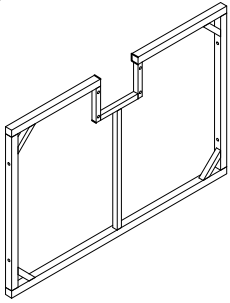
Ⓓ x1



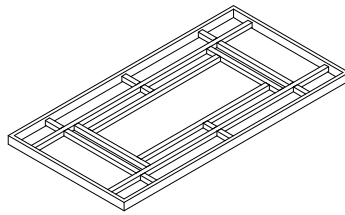
Ⓘ x1



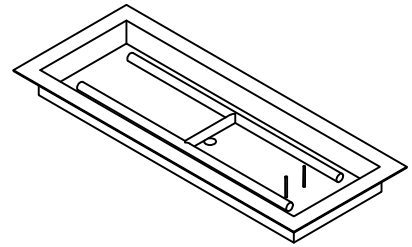
Ⓙ x1



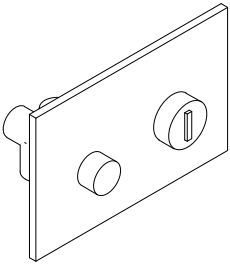
Ⓚ x1



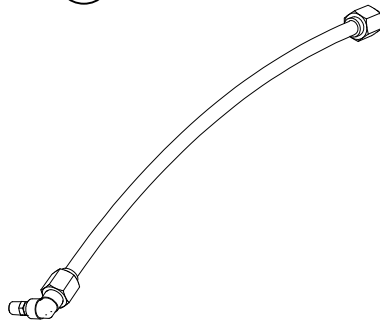
Ⓛ x1



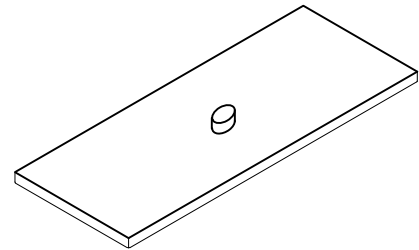
Ⓜ x1



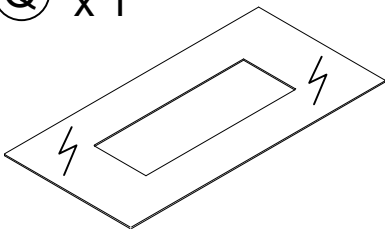
Ⓝ x1



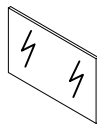
Ⓞ x1



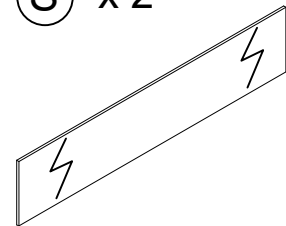
Ⓠ x1



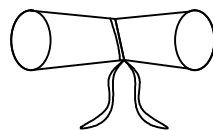
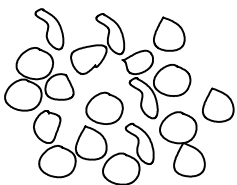
Ⓡ x2



Ⓢ x2



ⒶⒷ x1



Hardware

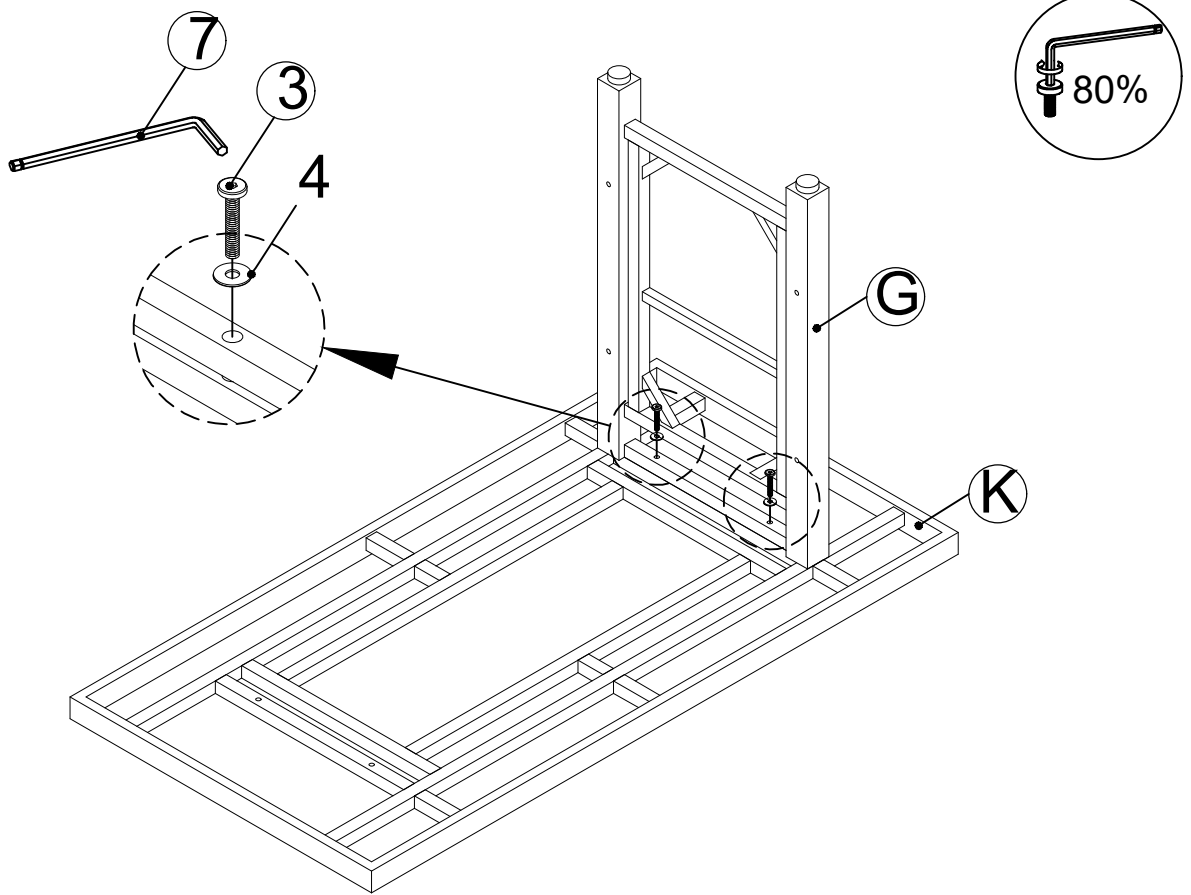
### STEP 1

G	x1
---	----

K	x1
---	----

3	x2
---	----

4	x2
---	----



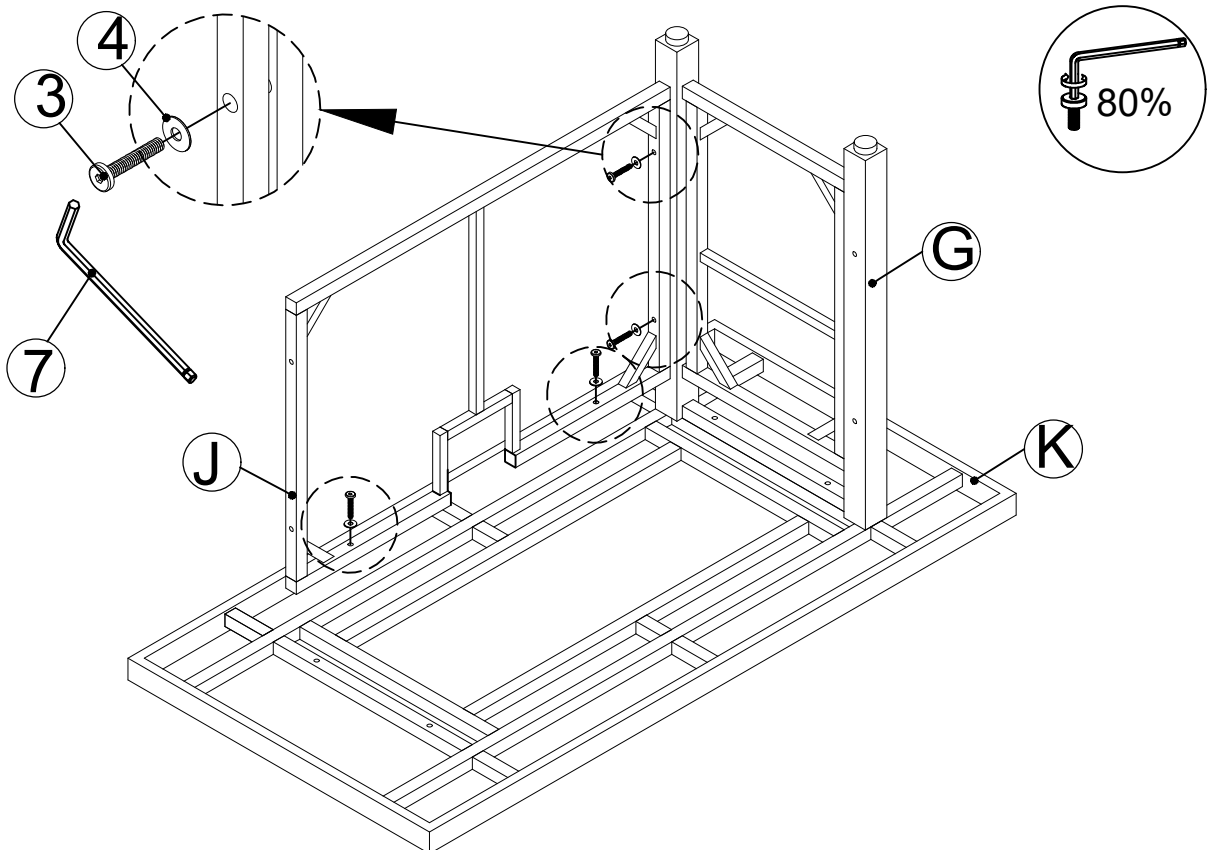
Connect Right Leg Fire Table (G) & Top Fire Table (K), Tighten Bolt (3) & Flat Washer (4) with Allen Key (7).

### STEP 2

J	x1
---	----

3	x4
---	----

4	x4
---	----



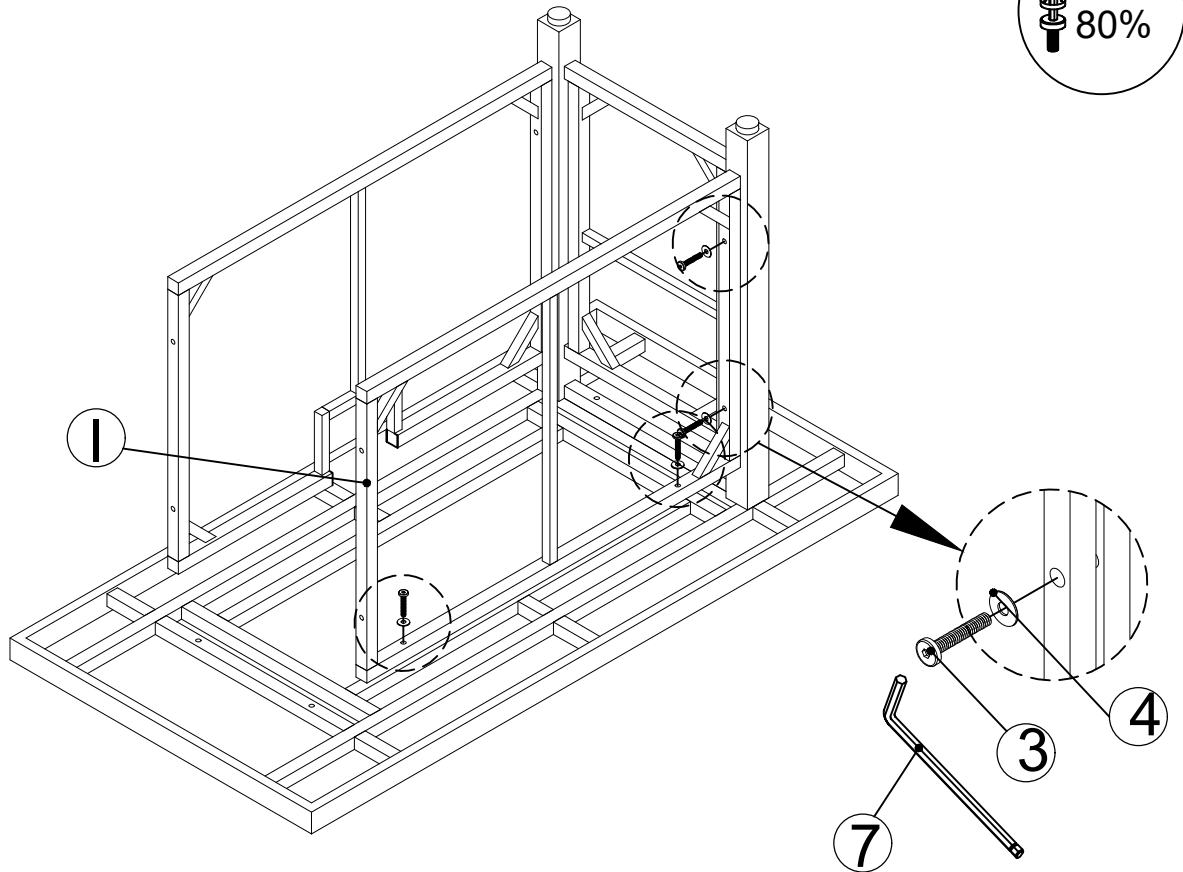
Connect the part from step 1 & Front Frame Fire Table (J), Tighten Bolt (3) & Flat Washer (4) with Allen Key (7).

### STEP 3

I	x1
---	----

3	x4
---	----

4	x4
---	----



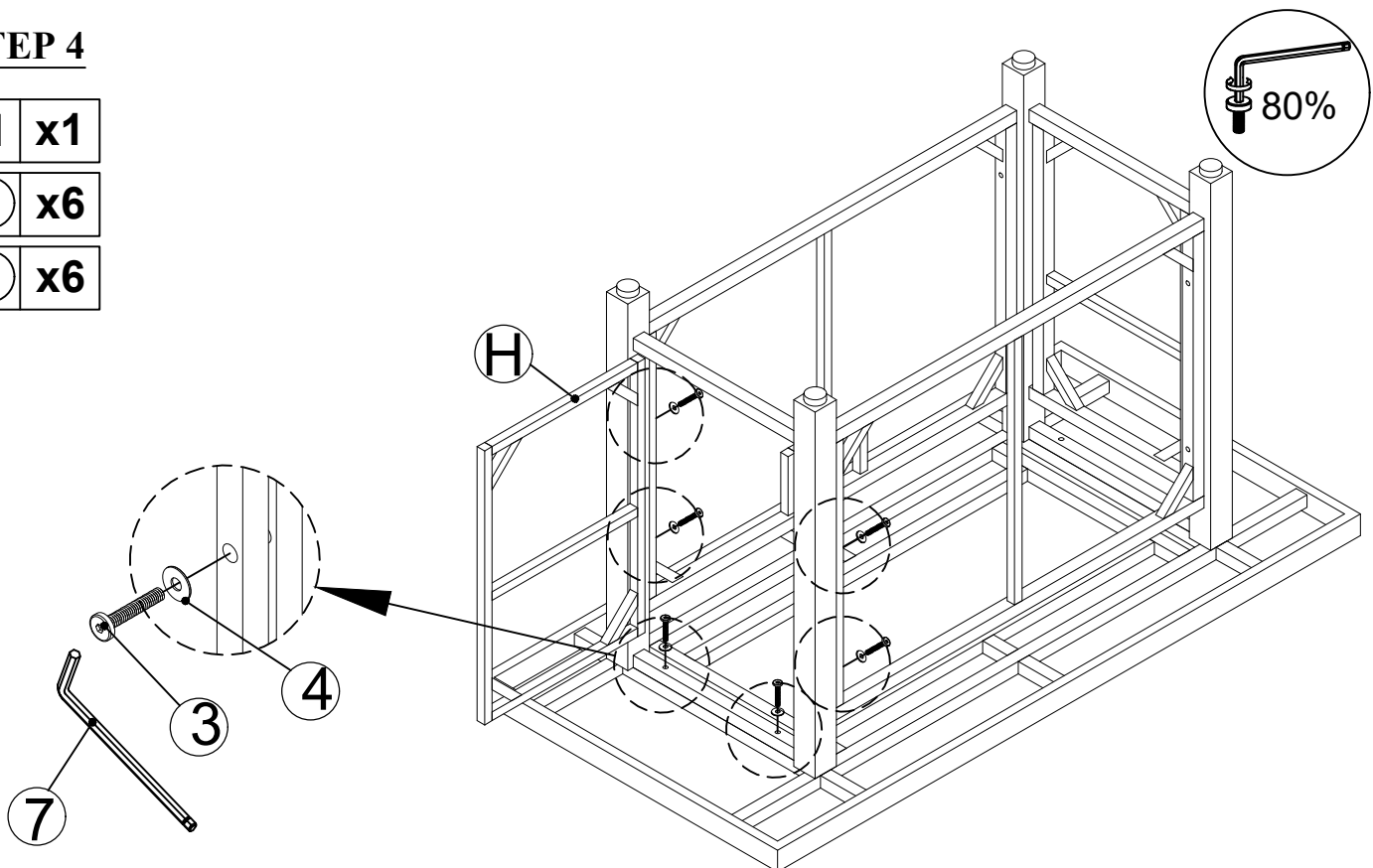
Connect the part from step 2 & Back Frame Fire Table (I), Tighten Bolt (3) & Flat Washer (4) with Allen Key (7).

### STEP 4

H	x1
---	----

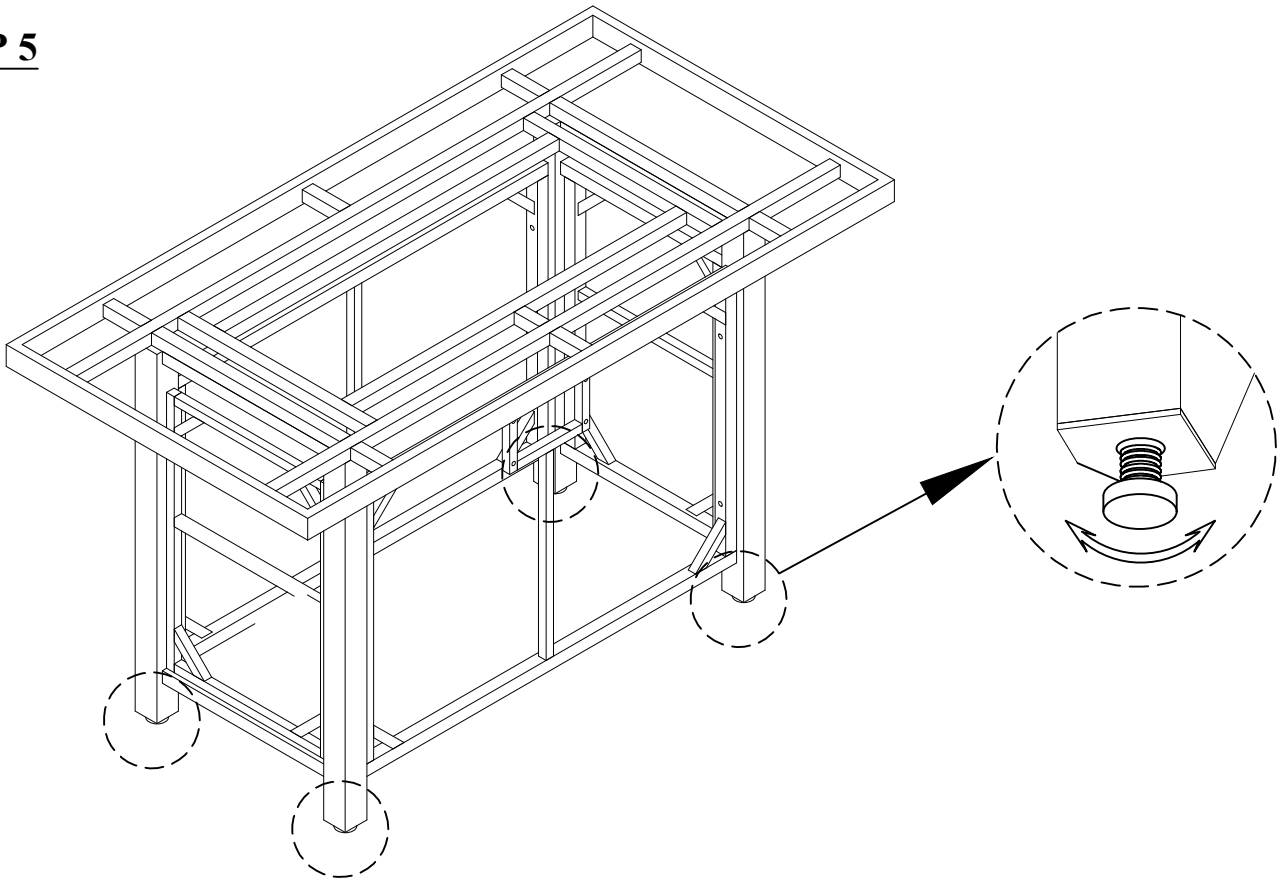
3	x6
---	----

4	x6
---	----



Connect the part from step 3 & Left Leg Fire Table (H), Tighten Bolt (3) & Flat Washer (4) with Allen Key (7).

## STEP 5



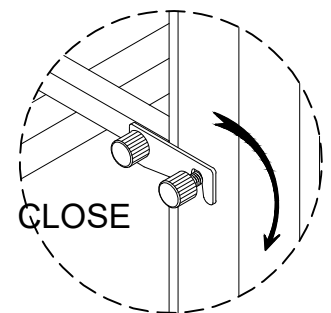
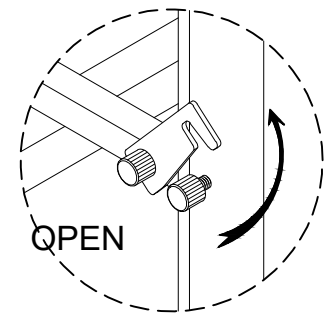
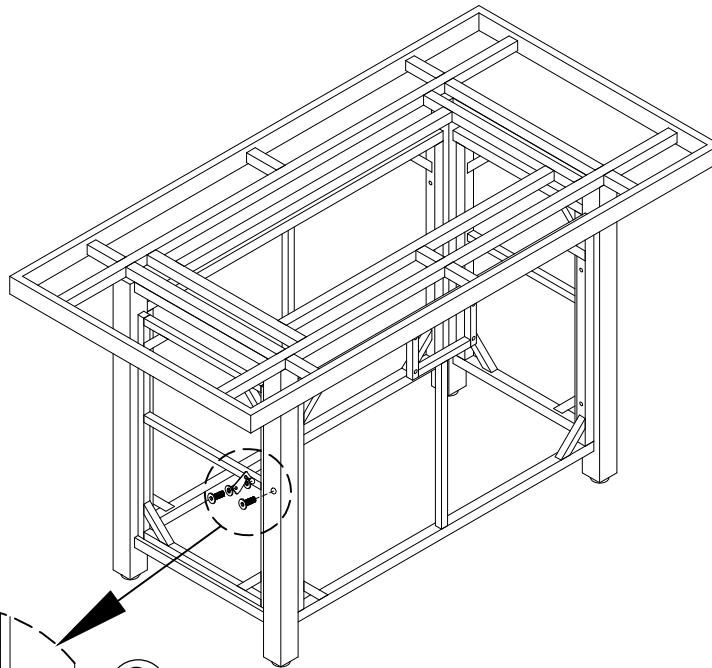
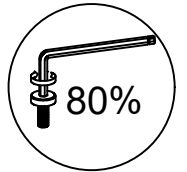
Adjust for balance.

## STEP 6

8 x1

9 x2

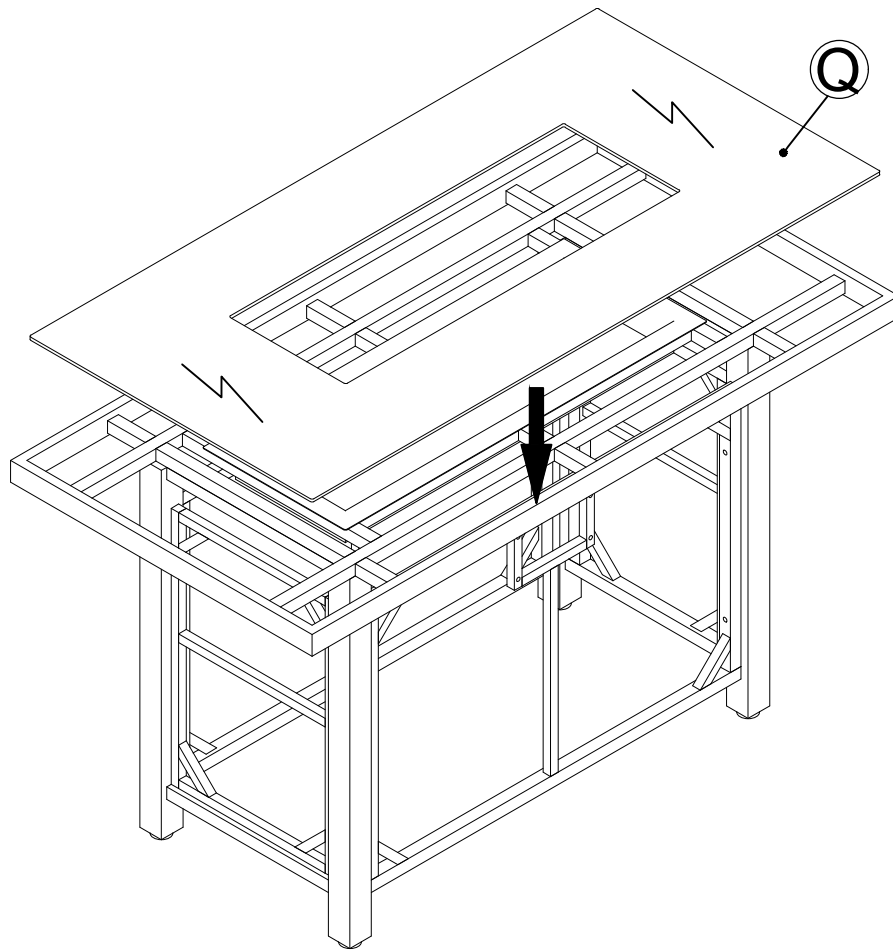
14 x2



Attach the locking part (8) with plastic washer (9), knob (14).

## STEP 7

**Q** x1

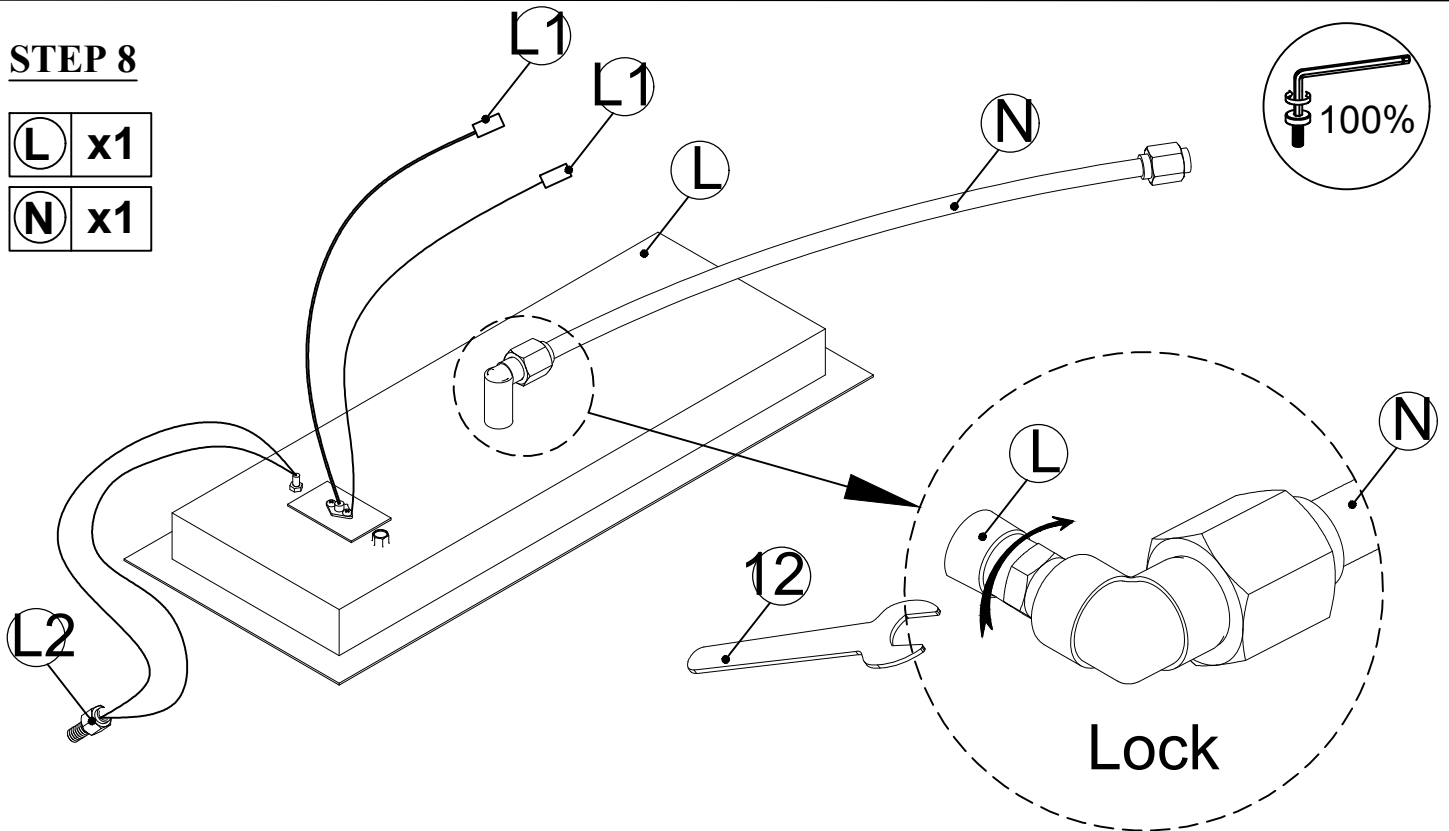


Put on Burner Glass (Q) to the part from step 16.

## STEP 8

**L** x1

**N** x1

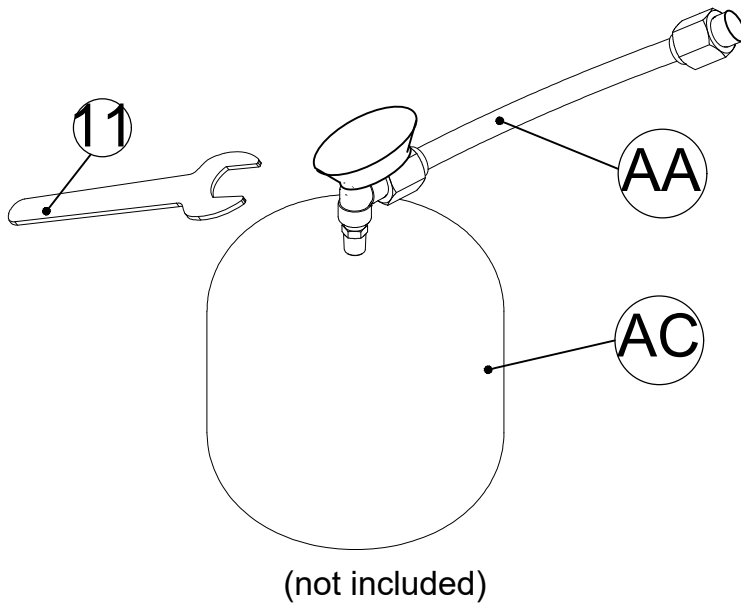


Connect Burner (L) & Gas Valve (N) with Crescent Wrench 25 (12).

## STEP 9

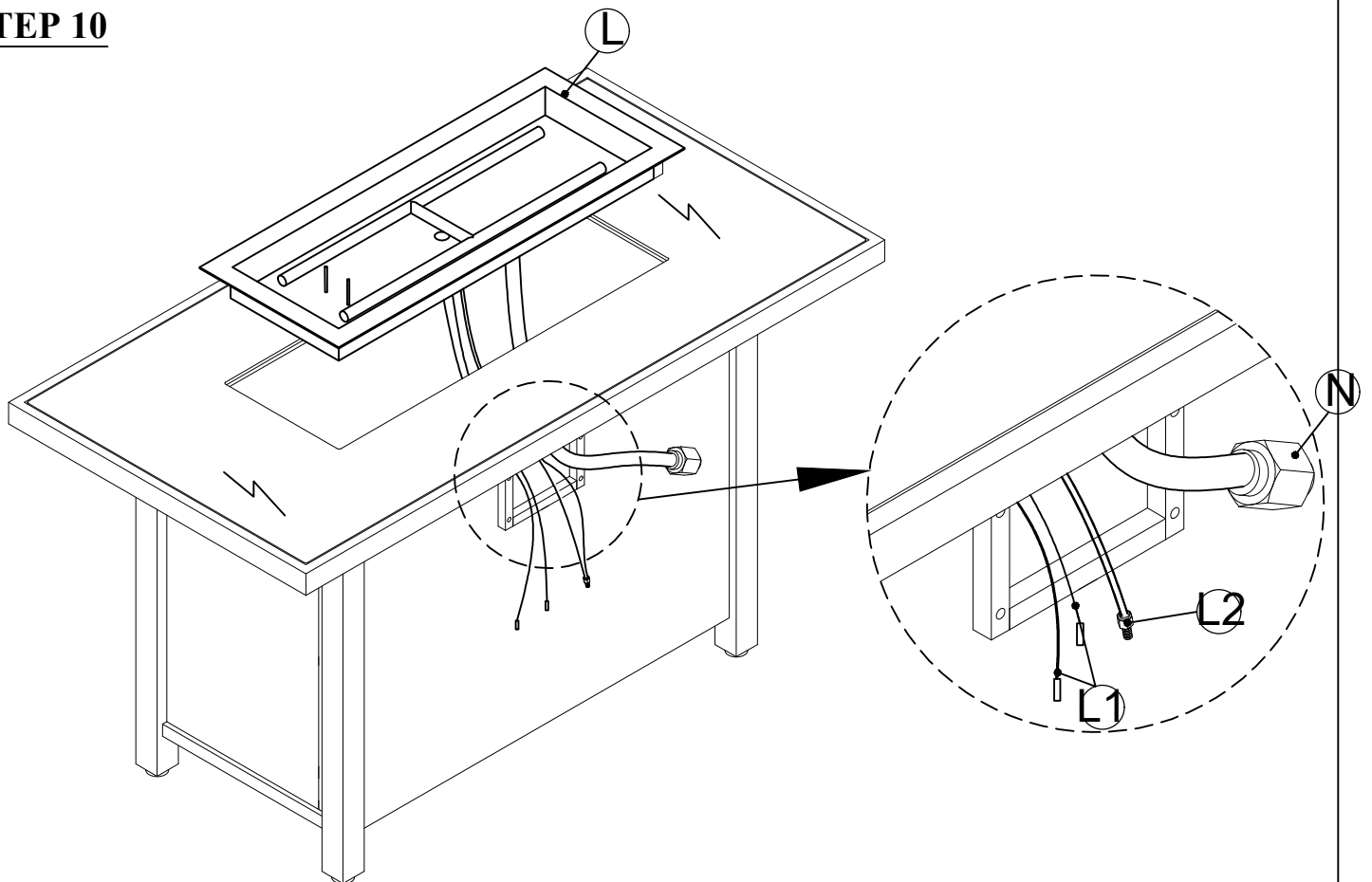
AA x1

AC x1



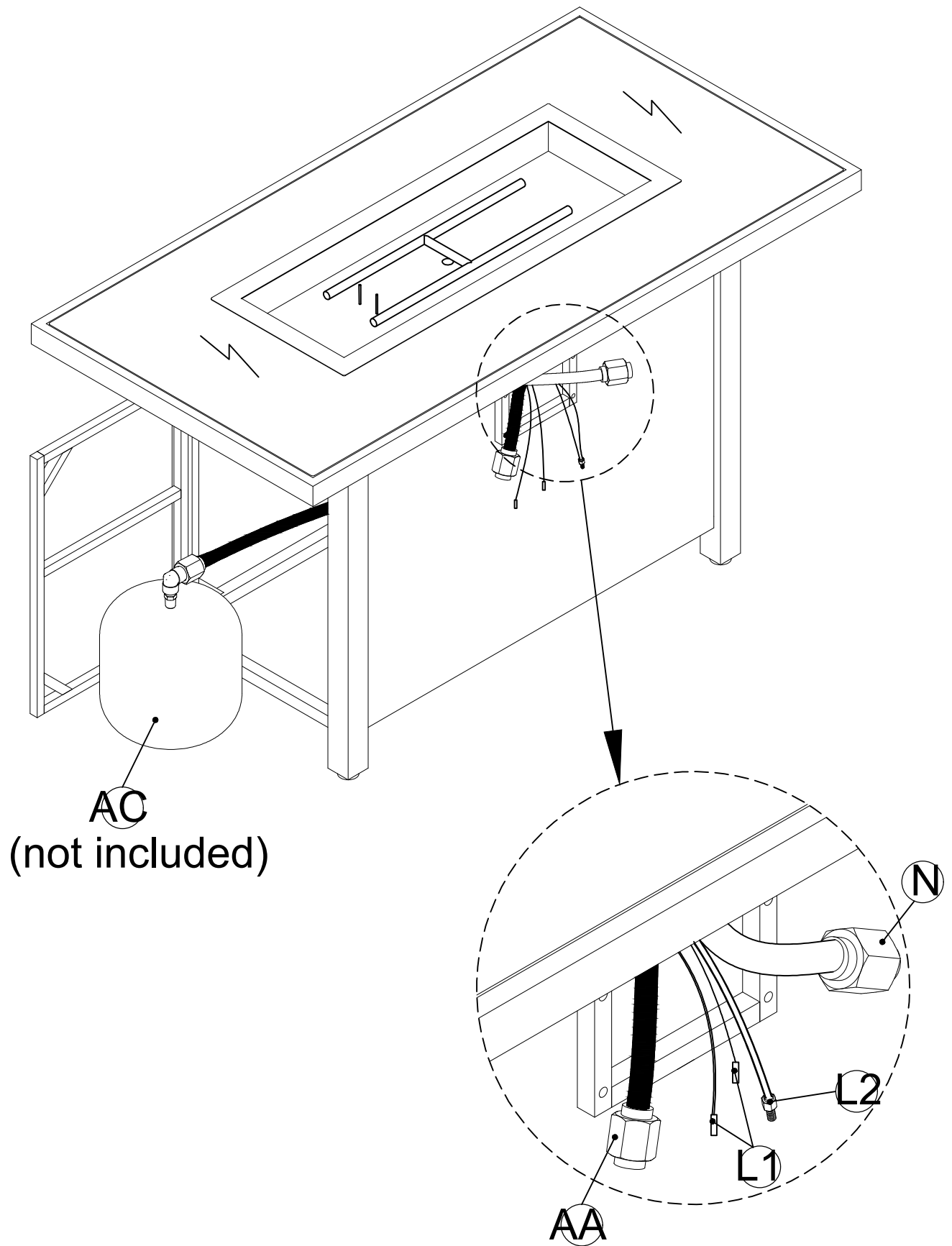
Connect Tube (AA) & Propan Tank (AC) with Cresnet Wrench 20 (11). (not included)  
**Take note: supply pressure less than 0.5 PSI**

## STEP 10



Put on the part from step 8 to the part from step 7. Place the tube as shown in the picture.

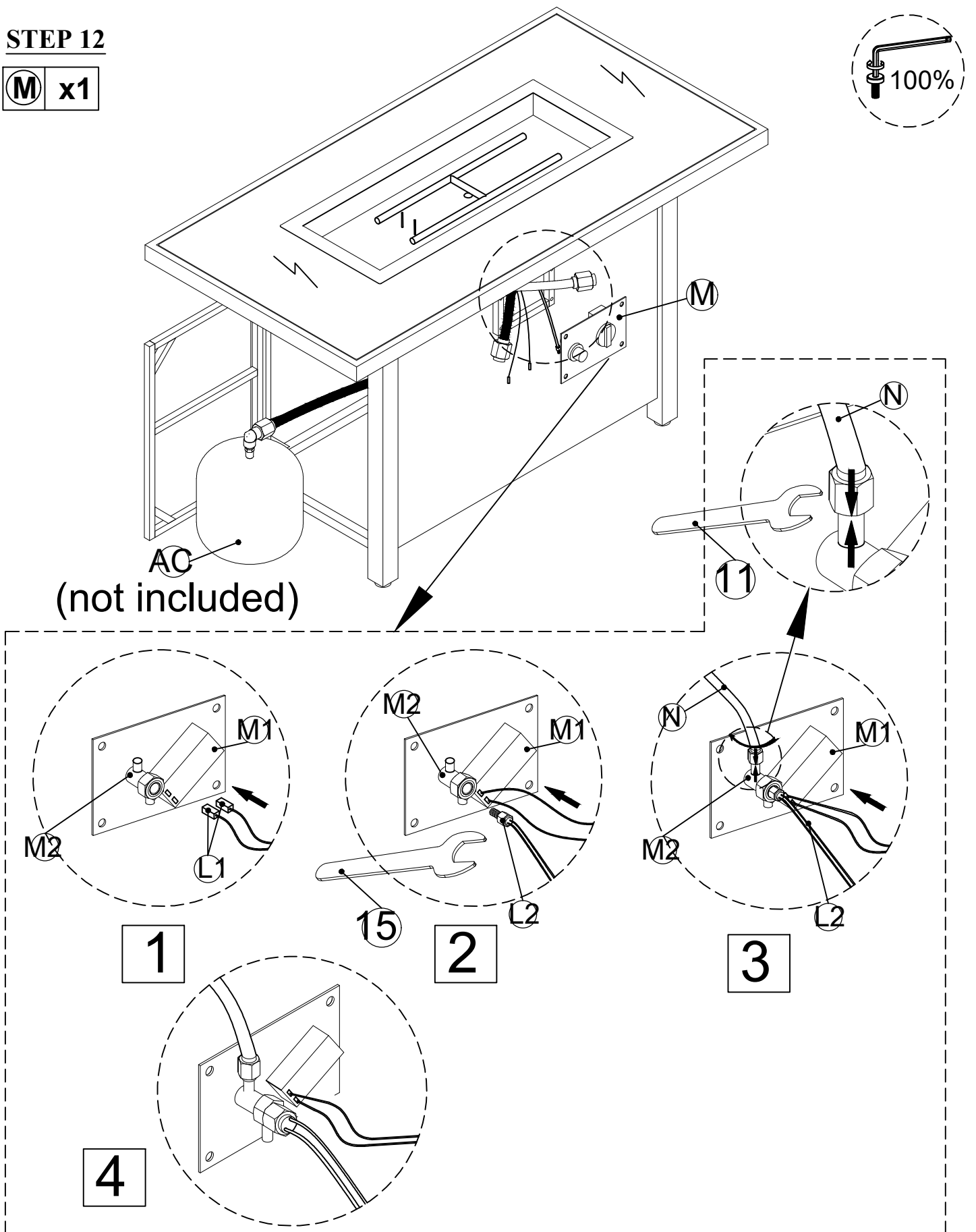
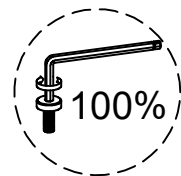
## STEP 11



Place the tube of propane tank (AC) (not included) as shown in the picture.  
**Take note: supply pressure less than 0.5 PSI**

## STEP 12

**(M) x1**



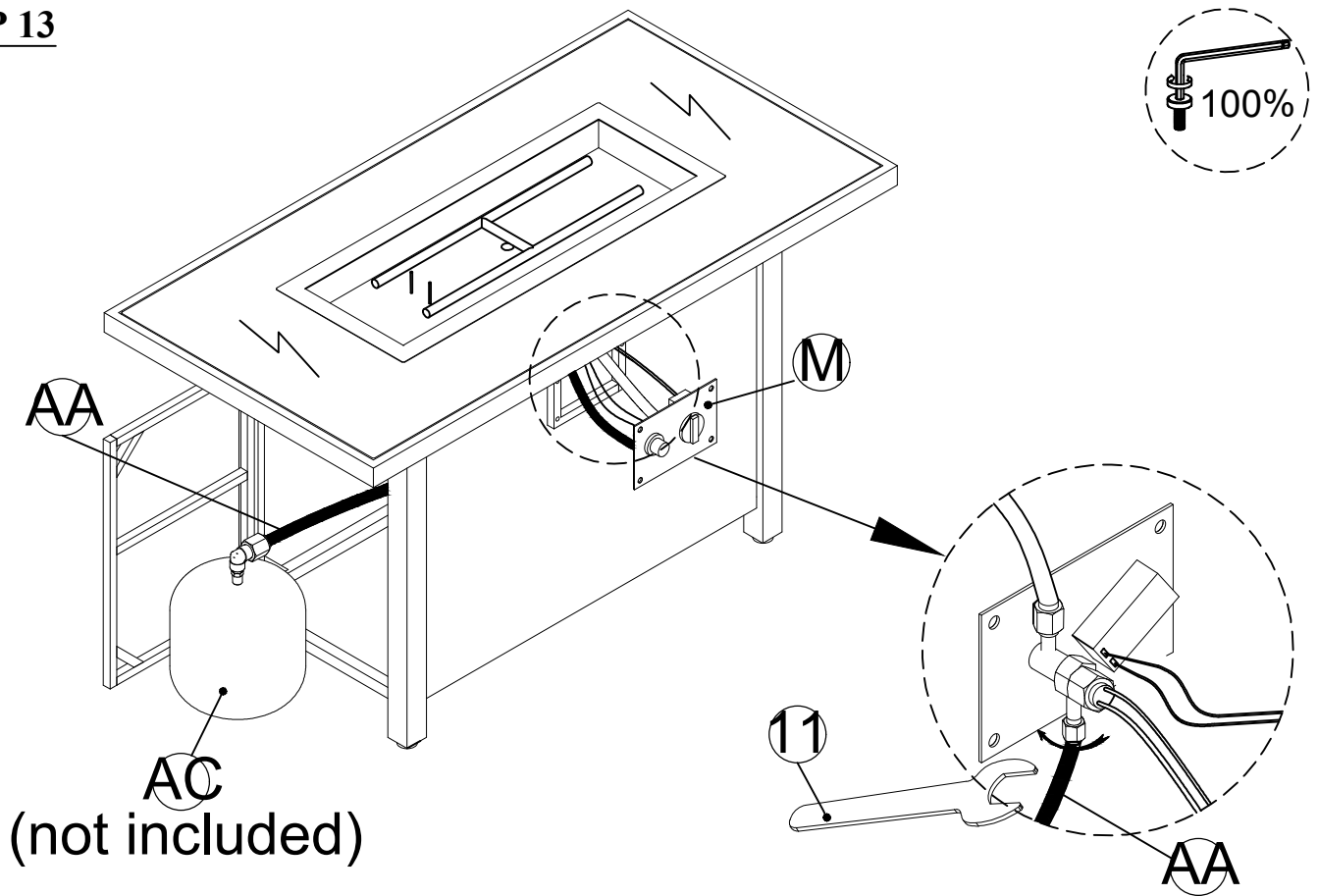
Check that the Gas Valve (M), for the gas supply system is turned to the OFF position before starting any assembly.

Connect thermocouple (L1) to ignition module hole (M1) of Gas Valve.

Connect Orificecouple (L2) to Control Knob (M2) of Gas Valve with crescent wrench 8 (15).

Connect Gas Outlet Tube (N) to Outlet Hole of Gas Valve with Crescent Wrench 20 (11) in the direction of the arrow.

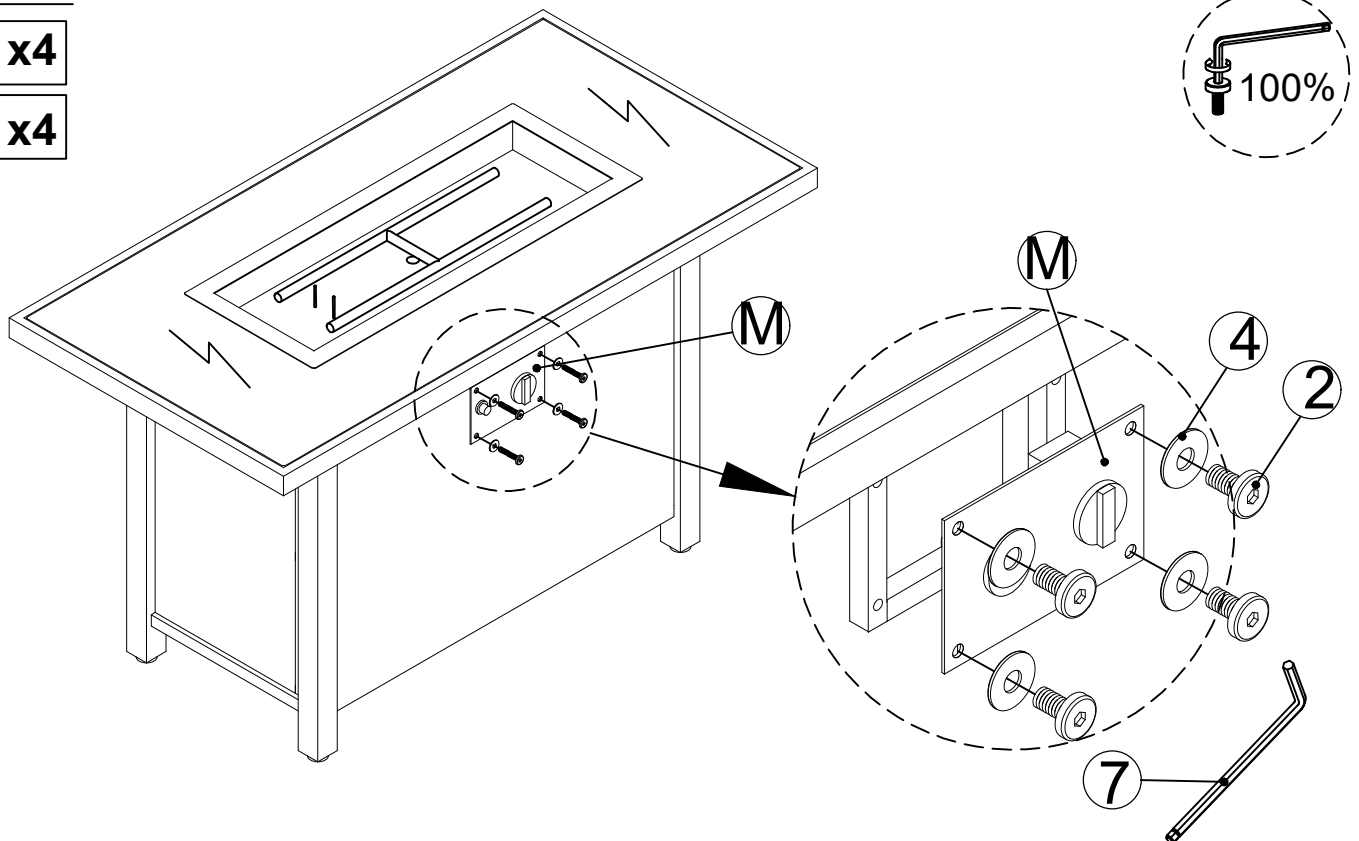
### STEP 13



Connect Gas Inlet Tube of Propan Tank (AA) to Inlet Hole of Gas Valve with Cresnet Wrench 20 (11) in the direction of the arrow. (as shown in the picture)

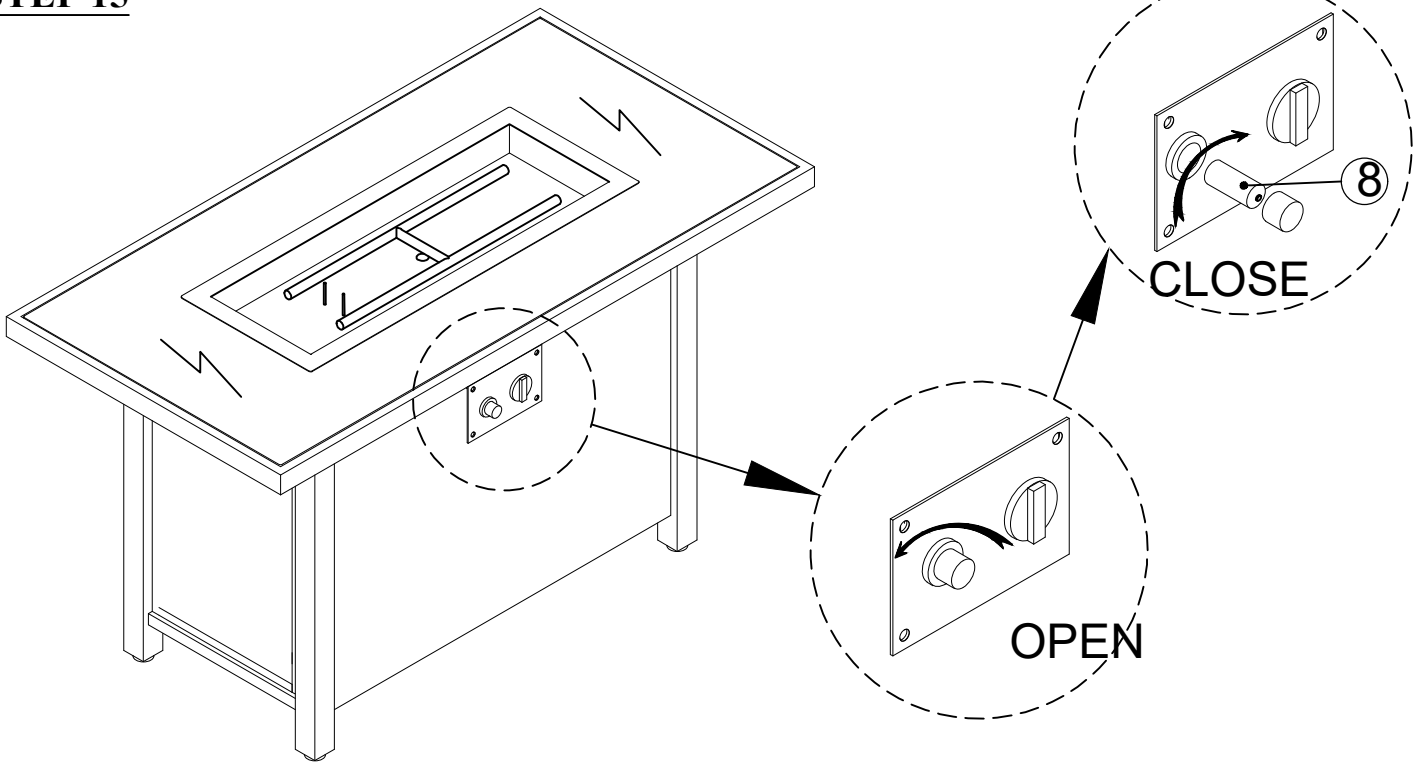
### STEP 14

② x4  
④ x4



Connect the part from step 13 & Gas Valve (M), Propan Tank (AA) with Tighten Bolt (3) & Flat Washer (4) with Allen Key (7).

## STEP 15



Open the igniter cover and place the battery AA (8) (not included) into it. Then tighten the igniter cover completely.

**PLEASE READ AND UNDERSTAND ATTACHED WARNING AND OPERATION DOCUMENT BEFORE ATTEMPTING TO OPERATE OR INSTALL THE PRODUCT.**

## STEP 16

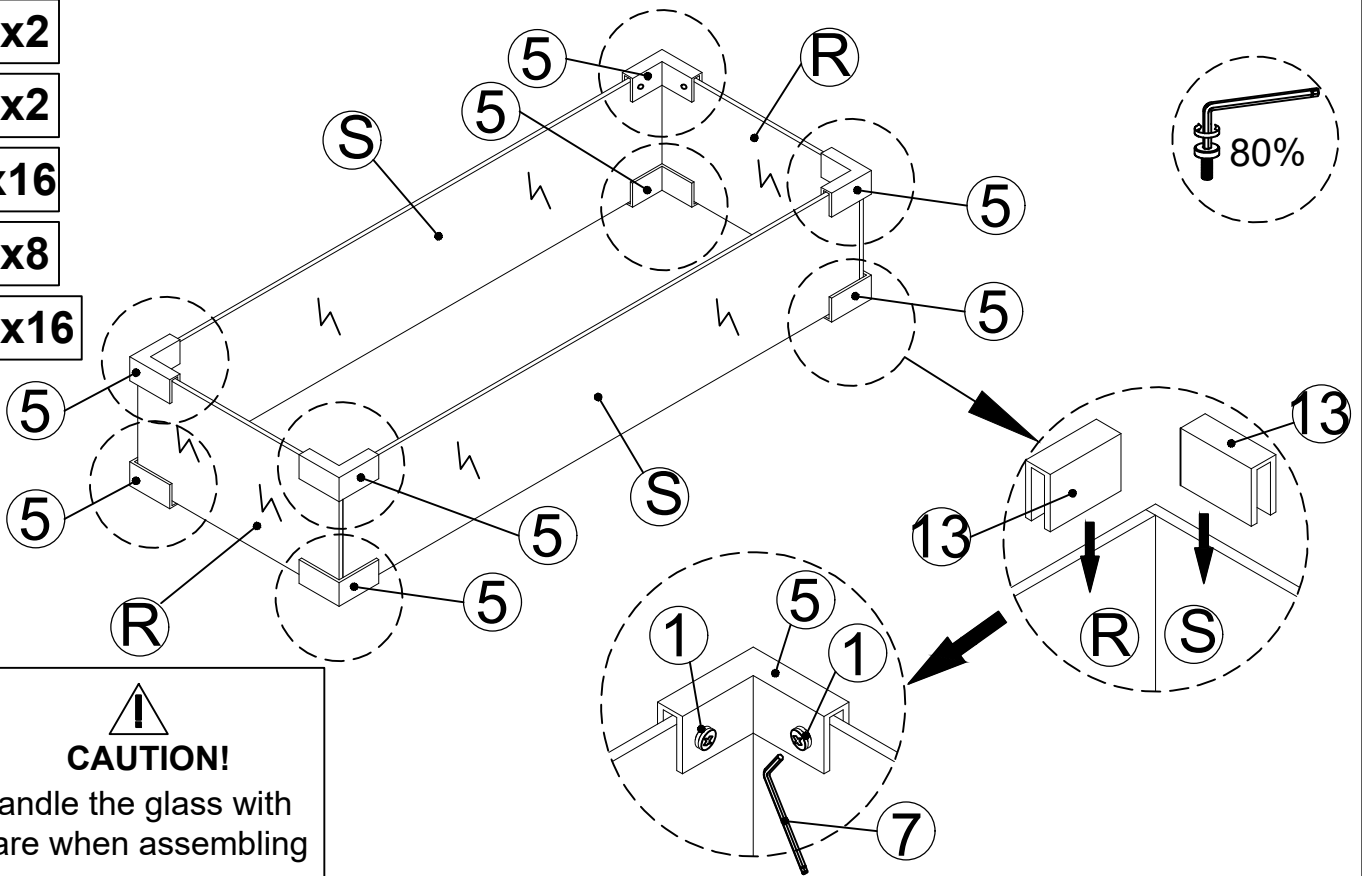
**R** x2

**S** x2

**1** x16

**5** x8

**13** x16

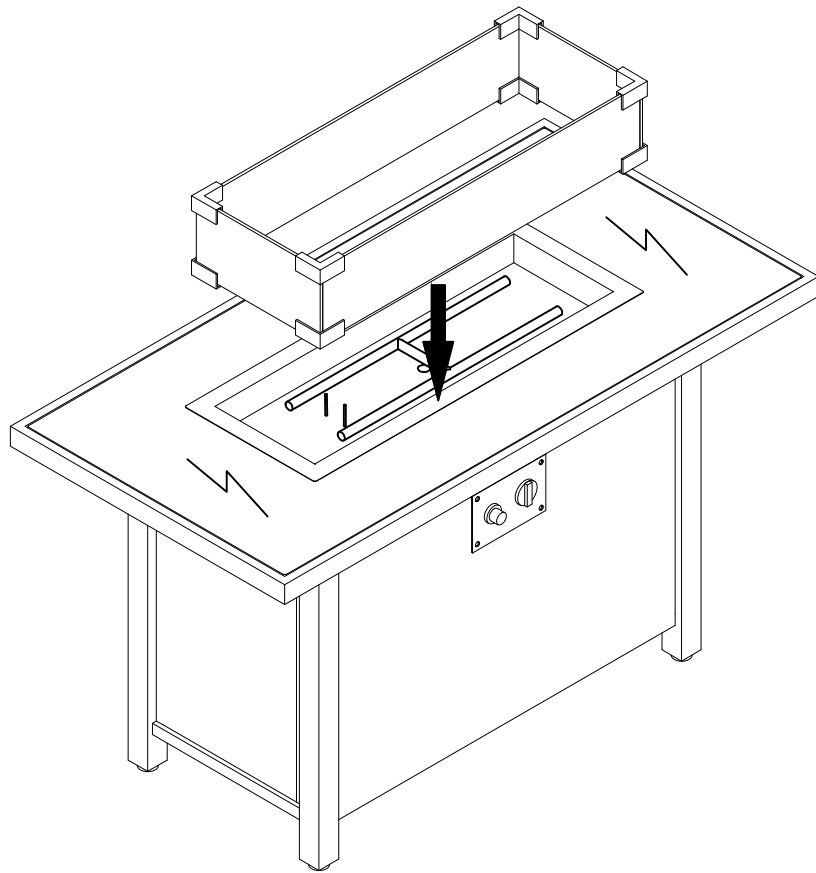


**CAUTION!**

Handle the glass with care when assembling

Put on Plastic Cover (13) to Corner of Short Glass (R) and Long Glass (S).  
Connect Short Glass (R) & Long Glass (S) with Tighten Bolt (1) & Glass Connector 1 (5) with Allen Key (7).

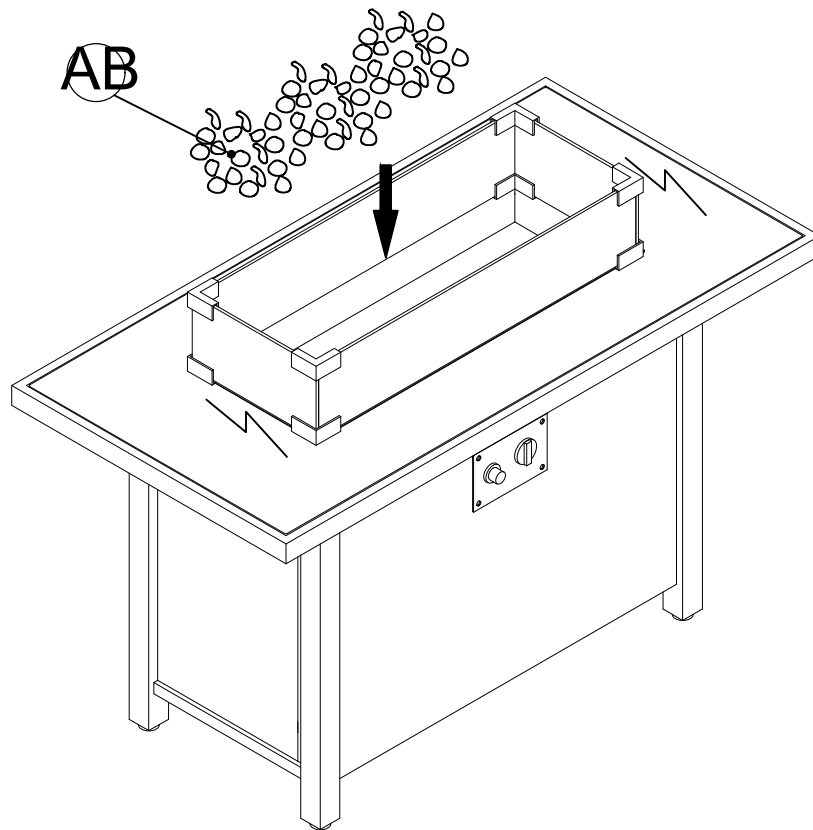
## STEP 17



Put on the part from step 16 to the part from step 15.

## STEP 18

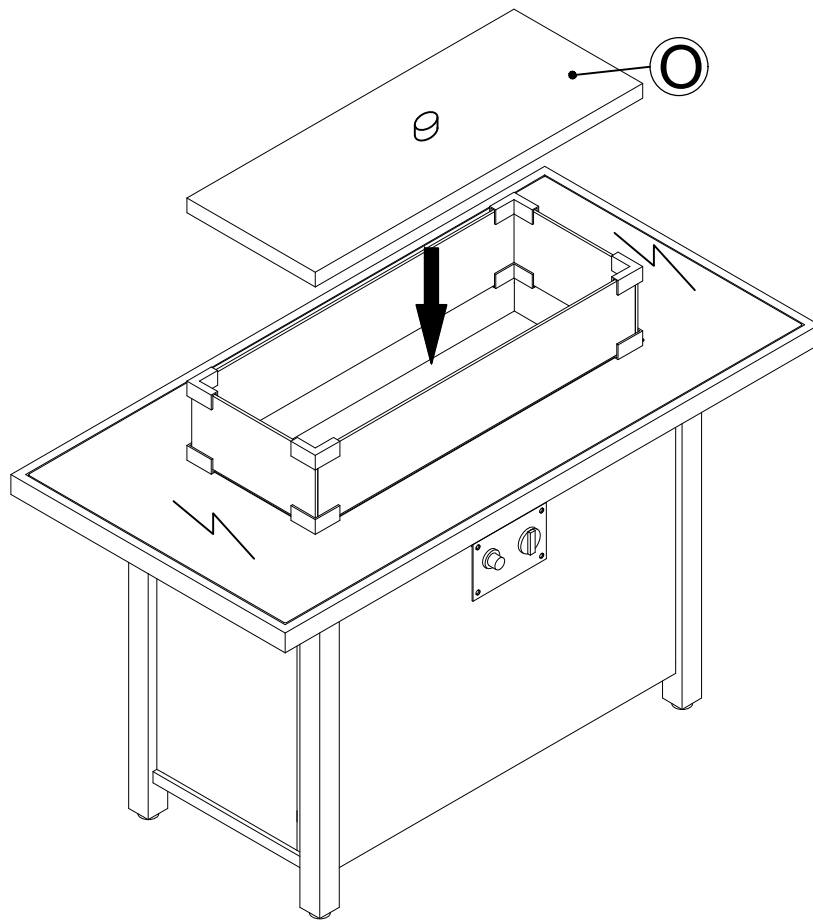
**AB** x1



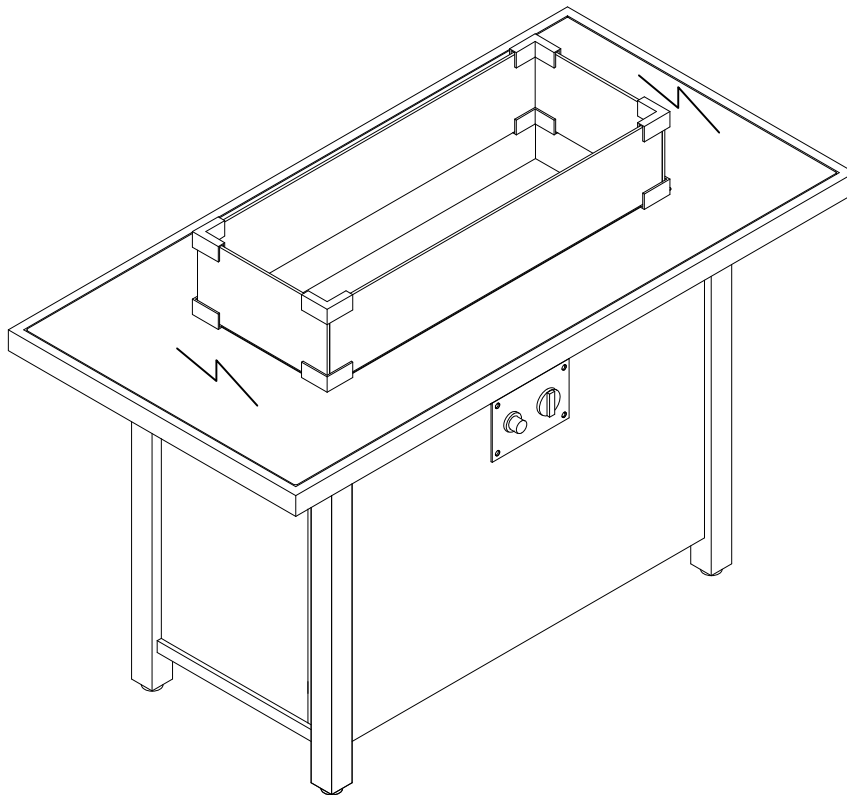
Pour ALL lava rocks (AB) into the burner pan. The burner **MUST** be completely covered to ensure the appliance functions properly and safely. Remove any lava rocks (AB) on top of the ignition well.

## STEP 119

**O x1**



Place Lid (O) to cover the top. The lid must be removed when the burner is in operation. Please wait until the units cools completely before place lid.



Finished

# Warning

You must provide propane gas an propane cylinder. Use a standard 20 lb. propane cylinder only.

Use this heater only with a propane vapor with draw a supply system. See Chapter 5 of the Standard for Storage and Handling of Liquefied Petroleum Gas, ANSI/NFPA 58. Your local library or fire department should have this book.

The pressure regulator and hose assembly supplied with the appliance must be used.

The installation must confirm with local codes, or in absence of local codes, with National Fuel Gas Code, ANSI Z233.1.

A dented, rusted or damaged propane cylinder may be hazardous and should be checked by your cylinder supplier. Never use a propane cylinder with a damaged valve connection.

The LP-gas supply cylinder must be constructed and marked in accordance with the U.S. Department of Transportation (D.O.T) Specification for LP-Gas Cylinders, or the standard for Cylinders, Spheres and Tubes for Transportation of Dangerous Good and Commission, CAN/CSA-B339 as applicable.

The cylinder used must include a collar to protect the cylinder valve.

The LP-gas supply cylinder must be provided with a listed over fill protection device (OPD).

Do not store a spare LP Gas cylinder under or near this appliance.

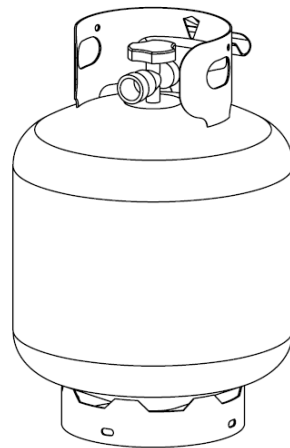
Never fill the cylinder beyond 80 percent full.

For appliances designed to use a CGA No. 791 QCC connection:

Place the dust cap on the cylinder valve outlet whenever the cylinder is not in use.

Only types of caps or plugs may result in leakage of propane.

Note: Gas supply pressure less than: 0.5 PSI.



Standard 20 lb. tank

# Warnings

NOTE : PLEASE READ THE FOLLOWING SAFETY RULES.

## **WARNING:**

The unit is not for use with solid fuel.  
The installation must confirm with local codes or, in the absence of local codes, with the National Fuel Gas Code, ANSI Z223.1/ NFPA 54, NFPA58 Natural Gas and Propane Installation Code, CSA B149.1, or Propane Storage and Handling CODE, B149.2.

The appliance, when installed, must be electrically grounded in accordance with local codes or, in the absence of local codes, with the National Electrical Code, ANSI/ NFPA 70, or the Canadian Electrical Code, CSA C22.1.

Prior to use, check whether parts are damaged, such as hose or burner.  
Inspect the fuel supply connection for signs of leakage (including the hose for LP models) before each use of the appliance.  
All leak tests should be done with a soapy solution. NEVER USE AN OPEN FLAME TO CHECK FOR LEAKAGE.

Children and adults should be alerted to the hazards of high surface temperatures and should stay away to avoid burns or clothing ignition.

Young children should be carefully supervised when they are in the area of the appliance.

Clothing or other flammable materials should not be hung from the appliance, or placed on or near the appliance.

Installation and repair should be done by a qualified service person. The appliance should be inspected before use and at least annually by a qualified service person.

More frequent cleaning may be required as necessary. It is imperative that control compartment, burners and circulating air passageways of the appliance be kept clean.

Keep the appliance area clear and free from combustible materials, gasoline and other flammable vapors and liquids.


DO NOT OBSTRUCT the flow of combustion and ventilation air.

Keep the ventilation opening of the cylinder enclosure free and clear from debris.

The appliance shall be used only in a well-ventilated space and shall not be used in a building, garage or any other enclosed area.

An appliance may be installed with shelter no more inclusive than: With walls on all sides, but with no overhead cover.

# OPERATION

 **WARNING:** Never use this appliance for other than the intended use. Do not use this appliance to prepare food.


**Initial Lighting:** When lit for the first time, the appliance emits a slight odor. This is normal temporary condition caused by the “burn in” of internal paints and lubricants used in the manufacturing process and does not occur again. Simply run the main burner on high for approximately one-half hour.

 **WARNING:**

- Children and adults should be alerted to the hazards of high surface temperatures and should stay away from the appliance to avoid burns or clothing ignition.
- Children should be carefully supervised when they are in the area of the appliance.
- Clothing or other flammable materials should not be hung from the appliance, or placed on or near the appliance. The area above the enclosure may be extremely hot. Direct contact with these surfaces should be avoided in order to prevent burns or clothing ignition.
- Any guard or protective device removed for servicing the appliance must be replaced prior to operating the appliance.
- Installation and repair should be done by a qualified service person.
- The appliance should be inspected before each use and at least annually by a qualified service person. More frequent cleaning may be required necessary. It is imperative that the control compartment, burners and circulating air passageways of the appliance be kept clean.

 **WARNING:**

- Never use the appliance while it is raining. Always turn the appliance off when raining.
- Never use the appliance if the burner is damaged. Inspect the burner before each use. Ensure that no debris such as leaves grass or other objects have entered or are on the appliance. If the burner is damaged it must be replaced prior to using the appliance with a replacement burner specified by your dealer.
- inspect the hose assembly before each use. If there is evidence of excessive abrasion or wear, or if the hose is damaged it must be replaced prior to using the appliance with a replacement hose assembly specified by your dealer.

 **WARNING: Any modification to the appliance may compromise the safety of this appliance. Special concern is as follow:**

Do not bypass thermocouple safety.

Do not operate the appliance if any parts has been under water. Immediately call a qualified service technician to inspect the appliance and replace any part of the control system and any gas control, which has been underwater.

# Operating (continued)

## LEAK TESTING OPERATION



**WARNING:** A leak test must be performed annually or if a part of the gas system is replaced.



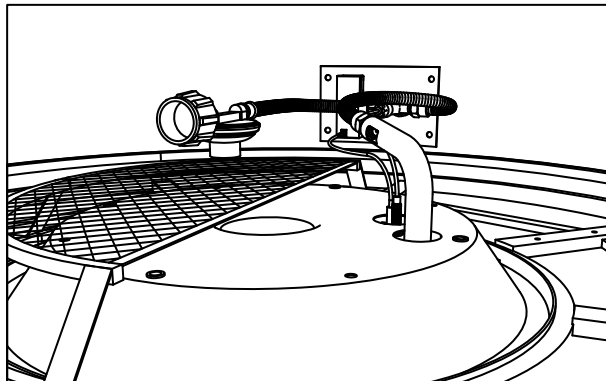
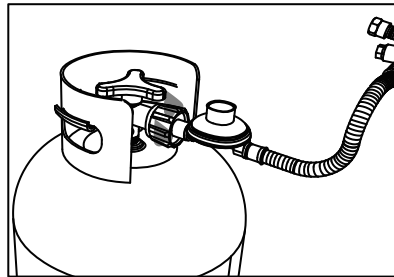
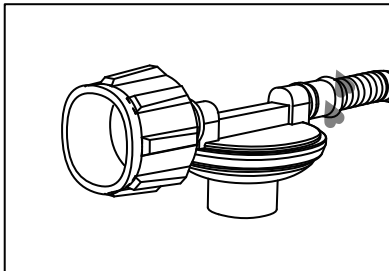
**WARNING:** Never use an open flame to check for gas leaks. Be certain no sparks or open flames are in the area while you check for leaks. Sparks or open flames will result in a fire or explosion, damage to property, serious bodily injury, or death.

**LEAK TESTING:** This must be done before initial use, annually, and whenever any gas components are replaced or serviced. Do not smoke while performing this test, and remove all sources of ignition. See leak testing diagram for areas to check. Turn all burner controls to the off position. Turn gas supply valve on. Brush a half-and-half solution of liquid soap and water onto all joints and connections of the regulator, hose, manifolds and valves. Bubbles will indicate a gas leak. Either tighten the loose joint or have the part replaced with one recommended by your dealer and have the appliance inspected by a certified gas installer.

If the leak cannot be stopped, immediately shut off the gas supply, disconnect it, and have the appliance inspected by a certified gas installer or dealer. Do not use the appliance until the leaks have been corrected.



**WARNING: DO NOT USE AN OPEN FLAME.**



# OPERATION

## Lighting instructions

1. Press and hold electronic igniter button.
2. Turn the burner control to the high position, press and hold in. When the burner lights, release the electronic igniter button.
3. Continue to depress the burner control knob for 30 seconds and then release. If the flame goes out, repeat the procedure.
4. Adjust the flame to the desired height with the burner control knob.
5. If the burner will not light with the electronic igniter, hold a lit long match or lit long butane lighter to the ignition area of the burner and continue with step 2.
6. To shut down the burner turn the burner control knob clockwise to the off position. Then turn the gas off at the source (propane cylinder valve or natural gas supply valve).



### WARNING

#### FOR YOUR SAFETY:

Keep face and body away from burner area when lighting. Ensure burner controls are in the off position. Slowly turn on the gas supply valve.



### WARNING

#### FOR YOUR SAFETY:

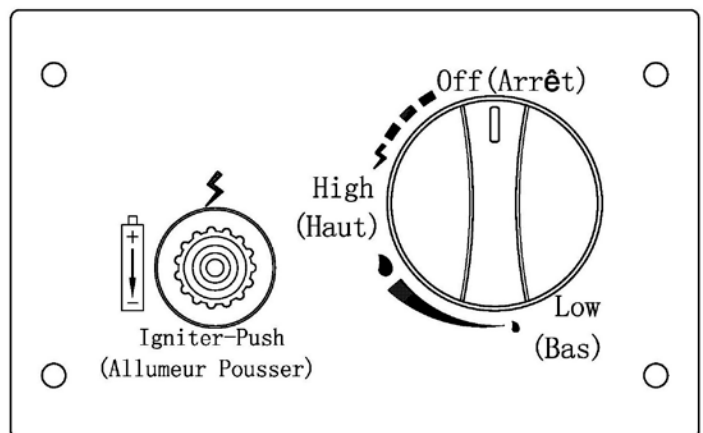
The propane cylinder is equipped with an excess flow device. Unless burners are turned off prior to turning the cylinder on, only small flames and low heat will be achievable.



### WARNING

#### FOR YOUR SAFETY:

If the burner does not light within 10 seconds, turn the valve off and wait 5 minutes for any gas to dissipate before repeating the procedure.

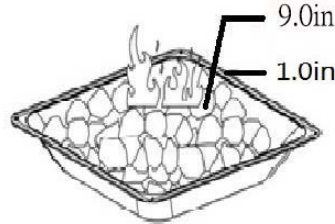


# MAINTENANCE AND STORAGE

## CLEANING AND MAINTENANCE:

To enjoy years of outstanding performance from your heater, make sure you perform the following maintenance activities on a regular basis:

- Keep exterior surface clean.
- Use warm soapy water for cleaning. Never use flammable or corrosive cleaning agents.
- While washing your unit, be sure to keep the area around the burner dry at all times. If the gas control is exposed to water in any way, do NOT try to use it. It must be replaced.
- Keep the appliance area free and clean from combustible materials, gasoline or other flammable vapors and liquids.
- Visually check burner flames.



### Normal

- **At least one a year, the unit should be inspected** for the presence of spiders, spider webs or other insects.
- Air flow must be unobstructed. Keep controls, burner, and circulating air passageways clean. Signs of possible blockage include:
  - Gas odor with extreme yellow tipping of flame.
  - Heater does NOT reach the desired temperature.
  - Heat glow is excessively uneven.
  - Heat makes popping noises.
- Spiders and insects can nest in burner or orifices. This dangerous condition can damage heater and render it unsafe for use. Clean burner holes by using a heavy-duty pipe cleaner. Compressed air may help clear away smaller particles.
- Carbon deposits may create a fire hazard. Clean reflector, thermocouple and emitter screen with a dry cloth if any carbon deposits develop.
- The burner is made from stainless steel, but extreme heat and a corrosive environment can cause surface corrosion to occur. This can be removed with a brass wire brush. Inspect the burner at least annually for cracks, insect nests, excessive corrosion or any other damage. If the burner is damaged, it must be replaced with a burner specified by the manufacturer before the appliance is put into operation.

# MAINTENANCE AND STORAGE

## STORAGE:

### **Between uses:**

- Turn the control knob to “OFF” position.
- Disconnect LP source.
- Store heater upright in an area sheltered from direct contact with inclement weather (such as rain, sleet, hail, snow, dust and debris).
- If desired, cover heater to protect exterior surfaces and to help prevent build up in air passages.

Note: Wait until heater is cool before covering.

### **During periods of extended inactivity or when transporting**

- Turn the control knob to “OFF” position.
- Disconnect LP source and move to a secure, well ventilated location outdoors. DO NOT store in a location that will exceed 125 degrees F.
- Store heater upright in an area sheltered from direct contact with inclement weather (such as rain, sleet, hail, snow, dust and debris).
- If desired, cover heater to protect exterior surfaces and to help prevent build up in air passages.

NOTE: Wait until heater is cool before covering.

# TROUBLE OF SHOOTING

PROBLEM	PROBABLE CAUSE	SOLUTION
Low heat / Low flame when valve turned to high.	For propane- improper lighting procedure.	Ensure lighting procedure is followed carefully. The valve must be in the off position when the tank valve is turned on. Turn tank on slowly to allow pressure to equalize. See lighting instruction.  Pipe must be sized according to installation code.
Burners burn with yellow flame, accompanied by the smell of gas.	Possible spider web or other debris.	Thoroughly clean burner venturi. See general maintenance instructions.
Burner will not light with the igniter, but will light with a match.	Dead battery / or installed incorrectly.  Loose electrode wire or switch terminal wires.	Replace with heavy duty battery.  Check that electrode wire is firmly pushed onto the terminal on the back of the igniter. Check that the lead wires from the module to the ignition switch ( if equipped) are firmly pushed onto their respective terminals.
Burner will not stay lit when control knob is released.	Knob not being held in long enough.  Too windy.  Lava rock or debris in ignition area of the burner preventing thermocouple from being fully engulfed in flame.  Dirty thermocouple or thermocouple connection.  Faulty thermocouple or valve.	Thermocouple must have time to heat up-hold the knob in for 30 seconds after the burner lights, then release.  Unit will shut down if winds are greater than 10mph (16km/h). Either locate to different area or use when it is less windy.  Ensure there is no lava rock or other debris in ignition area, and that the small hole below the thermocouple is unobstructed.  Clean the thermocouple and clean the connection between the valve and thermocouple. Ensure the connection is properly tightened.  Replace thermocouple and / or valve.
Humming regulator.	Normal occurrence on hot days.	This is not a defect. It is caused by internal vibrations in the regulator and does not affect the performance or safety of the gas heater. Humming regulators will not be replaced.
Burner output on "high" setting is too low. (Rumbling noise and fluttering blue flame at burner surface.)	Lack of gas.  Supply hose is pinched.  Dirty or clogged orifice.  Spider webs or other matter in venturi tube. Propane regulator in "low flow" state.	Check gas level in propane cylinder.  Reposition supply hose as necessary.  Clean burner orifice.  Clean out venturi tube.  Ensure lighting procedure is followed carefully. All valves must be in the off position when the tank valve is turned on. Turn tank on slowly to allow pressure to equalize. See lighting instructions.