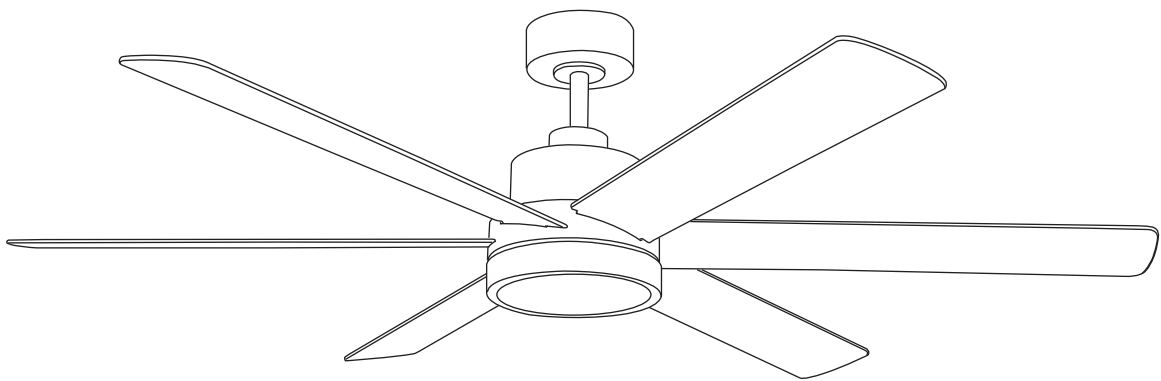


# INSTALLATION & USER MANUAL

## CEILING FAN WITH LIGHT



ITEM# 29025

Customer Service: [support@ceilingfanhelp.com](mailto:support@ceilingfanhelp.com)

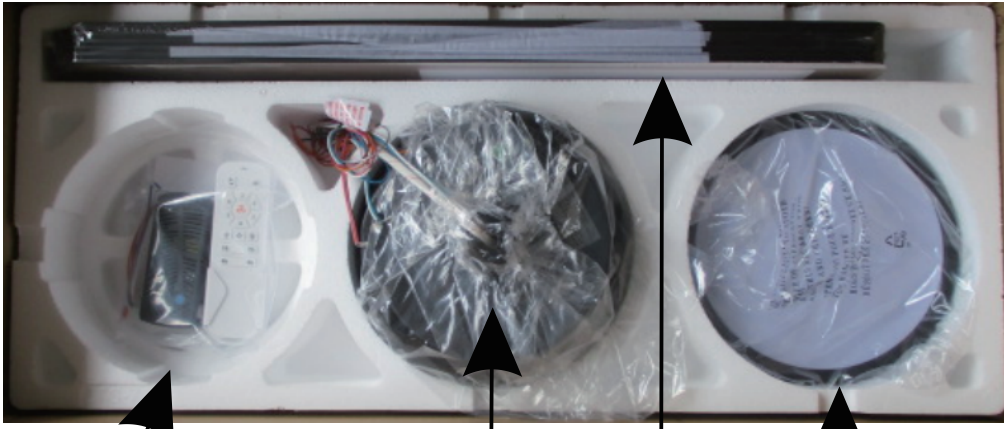
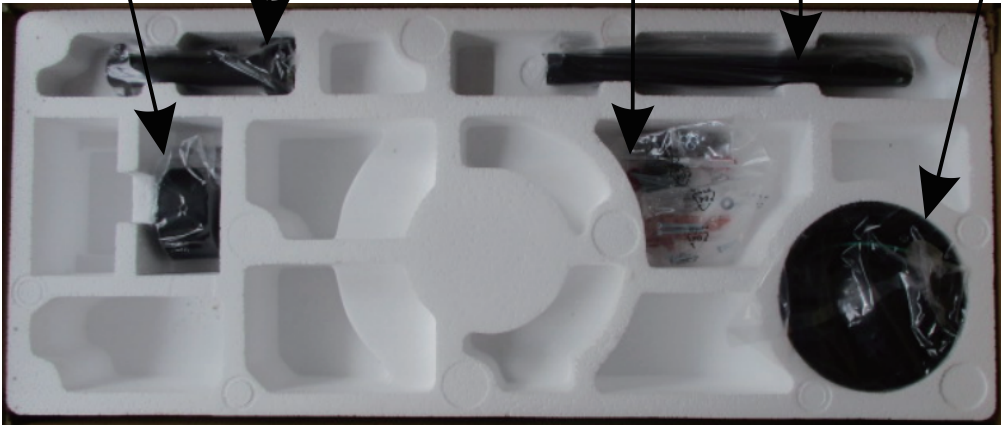
Yoke Cover &  
Canopy Cover

Hardware  
Package

Mounting  
Bracket &  
Canopy

Downrod

Downrod



Remote  
Control

Motor  
Assembly

Blade

Lightkit &  
Lampshade

# Table of Contents

Table of Contents.....	2	Exploded View.....	4
Safety Information.....	2	Installation Instructions.....	5-12
Dimension Reference.....	3	Troubleshooting Guide.....	13
Hardware Included.....	3	Balancing Kit .....	14
Fan Parts Included.....	3		

## Safety Information

### READ AND SAVE THESE INSTRUCTIONS.

1. To reduce the risk of electric shock, ensure the power is turned off at the circuit breaker or fuse box before installation.
2. All wiring must be in accordance with the National Electrical Code “ANSI/NFPA 70” and local electrical codes. Electrical installation should be performed by a qualified licensed electrician.
3. The outlet box and support structure must be securely mounted and capable of reliably supporting a minimum of 35 lbs (15.9 kg). Use only UL Listed outlet boxes marked “Acceptable for Fan Support of 35 lbs (15.9 kg) or less.”
4. Do not place objects in the path of the blades.
5. To clean the fixture, turn off the power, wait for it to cool, and wipe the fixture with a clean, soft cloth.
6. After making electrical connections, spliced conductors should be turned upward and carefully pushed into the outlet box. The wires should be spread apart with the grounded conductor and the equipment-grounding conductor on one side of the outlet box and ungrounded conductor on the other side of the outlet box.
7. All set screws must be checked and retightened where necessary before installation.



**WARNING:** To reduce the risk of electrical shock or fire, do not use this fan with any solid-state fan speed control device. Such use will permanently damage its electronic circuitry.



**WARNING:** To reduce the risk of personal injury, do not bend the blade brackets during installation, blade balancing, or fan cleaning.



**WARNING:** To reduce the risk of fire, electric shock or personal injury, mount to outlet box marked “acceptable for fan support of 35 lbs. (15.9 Kg) or less” and use screws provided with the outlet box.



**WARNING:** To avoid possible electrical shock, turn the electricity off at the main fuse box before wiring.



**WARNING:** To reduce the risk of electrical shock, this fan should not be installed with an isolating wall control or switch, as it may cause incompatibility issues.



**CAUTION:** To reduce the risk of personal injury, use only the screws provided with the outlet box.



**CAUTION:** Please use carefully when working around or cleaning the fan to avoid injury or damage to the fan.

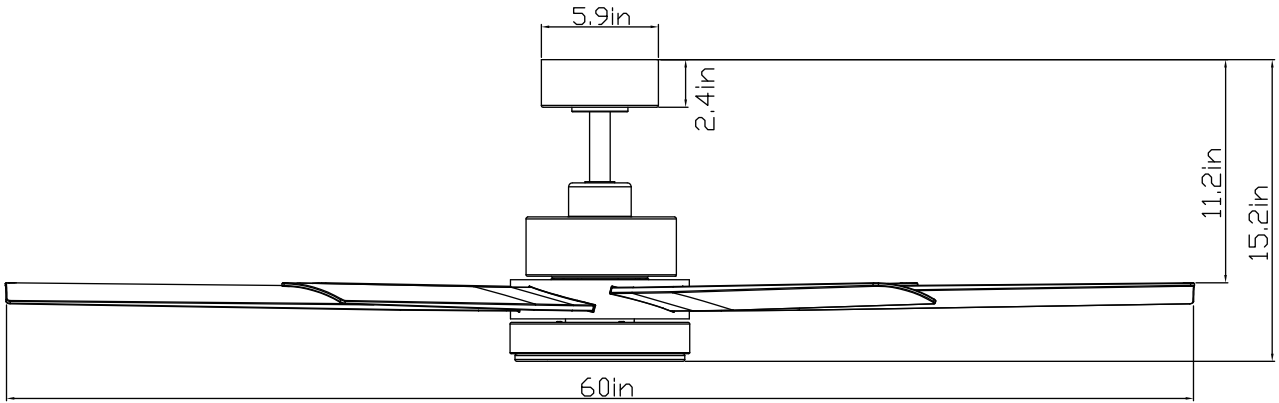


**CAUTION:** The fan must be mounted with a minimum of 7 ft (2.1 m) clearance from the trailing edge of the blades to the floor.



**CAUTION:** Changes or modifications not expressly approved by the party responsible for compliance could void the user’s authority to operate the equipment.

# Dimension Reference



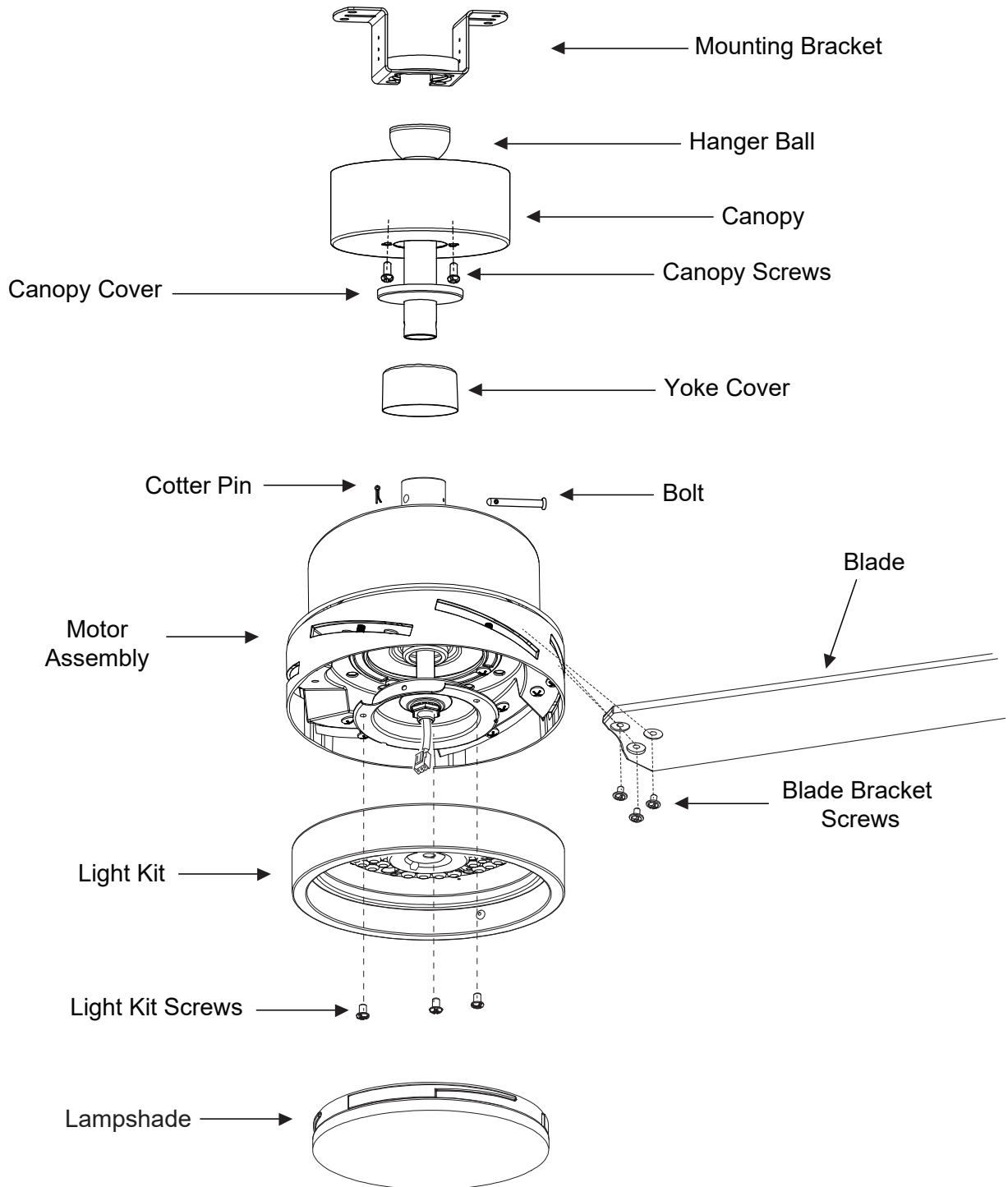
# Hardware Included

Hardware Package	Quantity
S1. Blade Screw	19
S2. Machine Screw	2
S3. Machine Screw	2
S4. Wood Screw	4
S5. Wire Nut	9
S6. J-hook	1
S7. Lock Washer	4
S8. Star Washer	2
S9. Washer	4
S10. Paper Washer	19
S11. Lock Washer	4
S12. Flat Washer	4
S13. Balance Kit	1

# Fan Parts Included

Item Name	Quantity
1. Mounting Bracket	1
2. Downrod	2
3. Canopy	1
4. Canopy Cover	1
5. Yoke Cover	1
6. Motor Assembly	1
7. Light Kit	1
8. Lampshade	1
9. Remote Control( Batteries not included)	1
10. Blade	6

# Exploded View

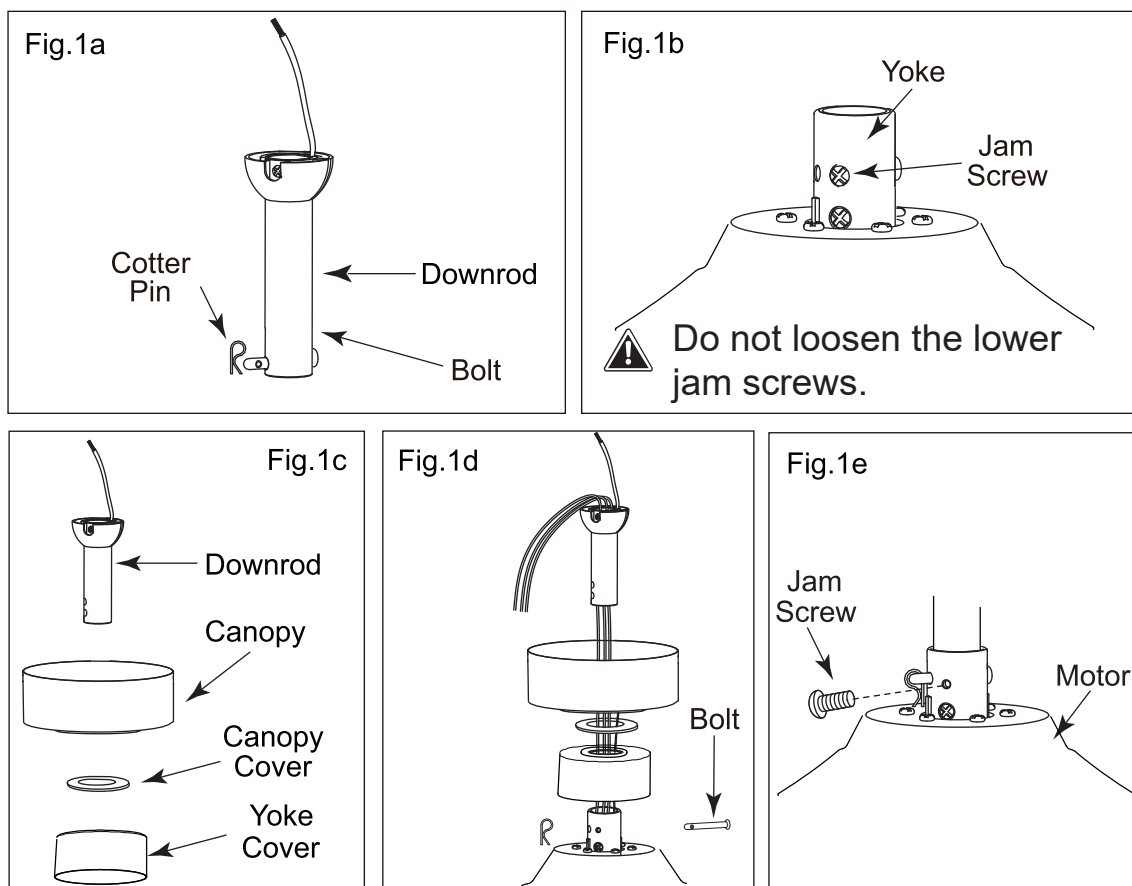


# Installation Instructions

## Step1 MOUNTING

- Remove the fan motor housing.
- Remove the cotter pin and bolt from the downrod.
- Loosen the jam screw in the yoke until it is flush with the inside surface of the yoke.
- Remove the downrod, canopy, and yoke cover.
- Place the downrod inside the canopy and yoke cover.
- Route the wires exiting from the motor through the yoke cover, canopy, and downrod.
- Insert the bolt through the hole in the shaft and downrod. Be careful not to damage or cut the fan wires.
- Tighten the bolt. Secure it with the cotter pin through the hole at the end of the bolt.
- Secure the downrod in position by tightening the jam screws.
- Slide the yoke cover down, and it will be flush with the motor housing.

**CAUTION: To ensure wobble-free operation and to avoid damage to the fan, the downrod and the set screws must be completely tightened.**

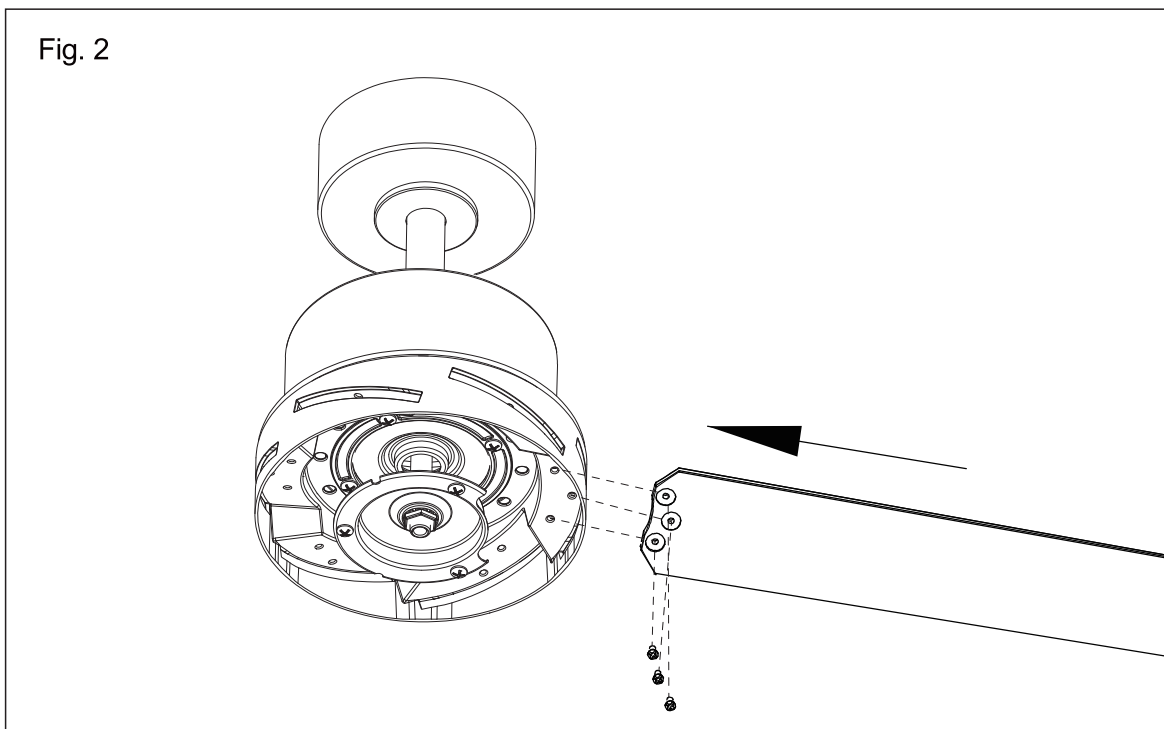


**WARNING: Do not loosen the lower jam screws under any circumstances.**

# Installation Instructions

## Step2 MOUNTING BLADES TO MOTOR

- Insert the blade into the fan as shown.
- Tighten the blade to motor with the screw and paper washer as shown.
- Slightly turn the blade after installation and repeat the same step for the other blades.

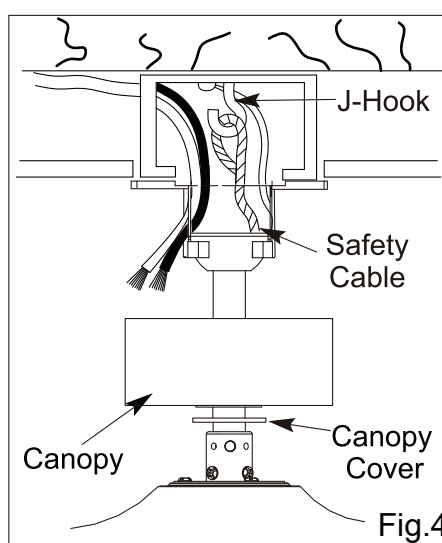
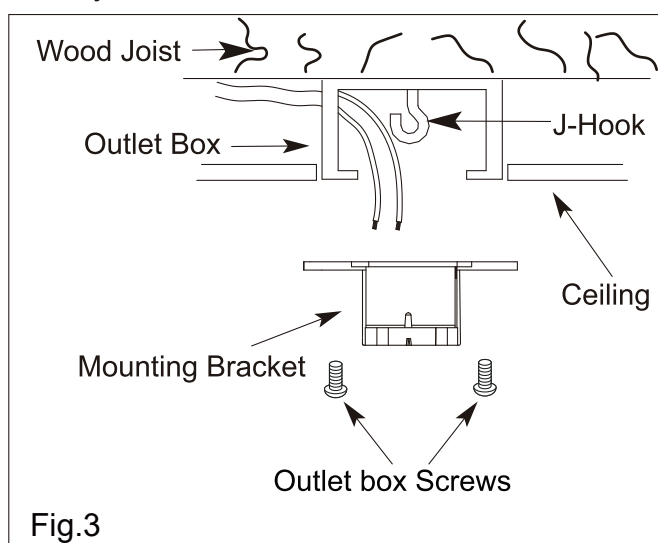


# Installation Instructions

## Step3 INSTALL MOUNTING BRACKET

**WARNING:** To reduce the risk of fire, electric shock, or personal injury, mount to a UL/CSA listed outlet box marked acceptable for fan support and use mounting screws provided with the outlet box.

- Install J-Hook through centre of outlet box to the wood joist.
- Secure mounting bracket to the metal outlet box.
- Hang the safety cable onto the J-hook.



## Step4 ELECTRICAL HOOK-UP

A. Make the following wire connections using the wire nuts supplied.

a To the household supply wires

- Connect all three GREEN wires to the GREEN supply wire.

1. GREEN wire from the downrod
2. GREEN wire from the receiver
3. GREEN wire from the mounting bracket

- Connect BLACK receiver wire to BLACK supply wire.

- Connect WHITE receiver wire to WHITE supply wire.

b To the fan wires

- Connect ORANGE receiver wire to the ORANGE wire from motor.

- Connect PINK receiver wire to the PINK wire from motor.

- Connect RED receiver wire to the RED wire from motor.

- Connect BLUE receiver wire to the BLUE wire from motor.

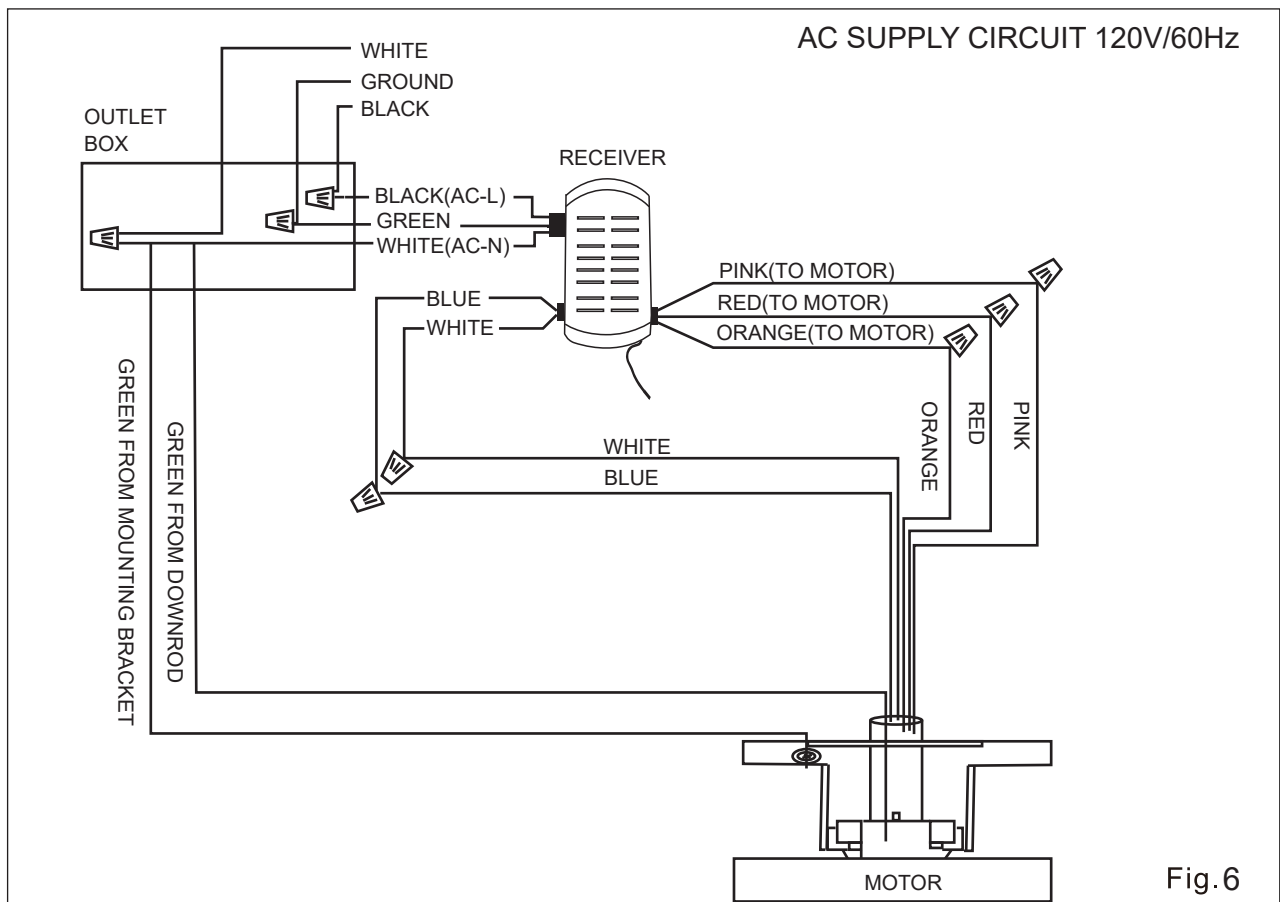
- Connect WHITE receiver wire to the WHITE wire from motor.

- After making the wire connections, ensure the wires are spread apart, with the grounded conductor and equipment-grounding conductor on one side of the outlet box, and the ungrounded conductor on the other side.

- Ensure that all splices are turned upward and carefully pushed into the outlet box.

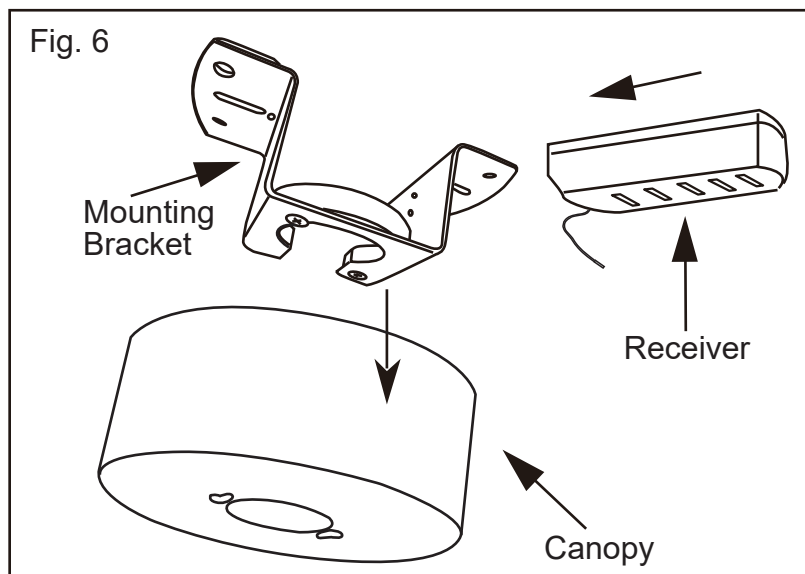
- Make sure no bare wire is visible at the wire nuts.

# Installation Instructions



**NOTE: Once the ground wires are connected, carefully tuck all wires and wire nuts into the metal box. Ensure that the wires are clear of the hemisphere and downrod when positioned in the mounting bracket.**

- B. - Push all connected wires into the ceiling box.
- Position the receiver in the mounting bracket as shown in the diagram.
  - When installing the canopy, ensure it does not press the antenna.
  - Ensure that all ground wires are connected.



# Installation Instructions

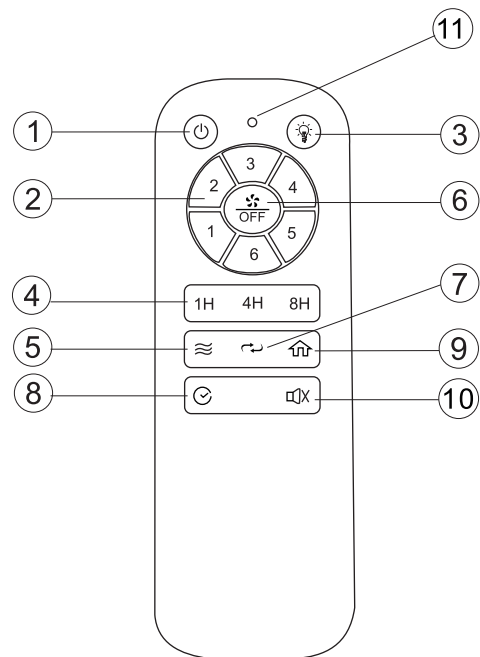
## C.REMOTE CONTROL FUNCTION INSTRUCTIONS

### Learning Code and Matching Mode Instructions:

- If the ceiling fan is not responding to the transmitter. Pressing and hold this button “ ⏻ ” for 3–5 seconds to pair the remote control within 15 seconds after powering on. When pairing is successful, the buzzer will emit three short beeps.
- When the transmitter cannot control the receiver, check if the battery is making proper contact, and check the polarity (positive/negative) and the power level (full or low) of the battery.
- When the transmitter cannot control the receiver, please check is there any existence of similar transmitter with controlled products nearby, then check whether they works, because transmitter controlled product the same frequency will disturb each other.
- Please take out the battery from the transmitter when leaving unused for long time.
- When installing the fan, the fan ceiling cover does not press the antenna (or other wire), as this could damage the wire and cause a short circuit.
- Remove the battery cover from transmitter.
- Install two 1.5V AAA batteries in transmitter.
- Replace battery cover on the transmitter.

The remote buttons function as follows:

- (1) Master power / Pairing button
- (2) Fan speed
- (3) Light ON / OFF
- (4) Sleep timer
- (5) Comfort breeze
- (6) Fan ON / OFF
- (7) Forward / Reverse
- (8) 5 Minutes timer
- (9) Anti-Theft Mode
- (10) Silent mode
- (11) LED Indicator



# Installation Instructions

## Memory Function:

To save the current color temperature, turn off the light and wait 15 seconds before turning it back on. The light will then restore the last selected color temperature.

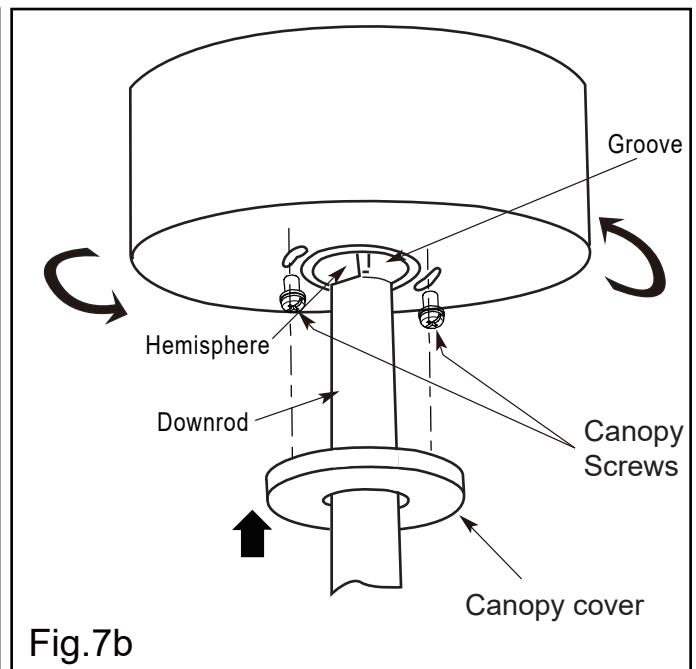
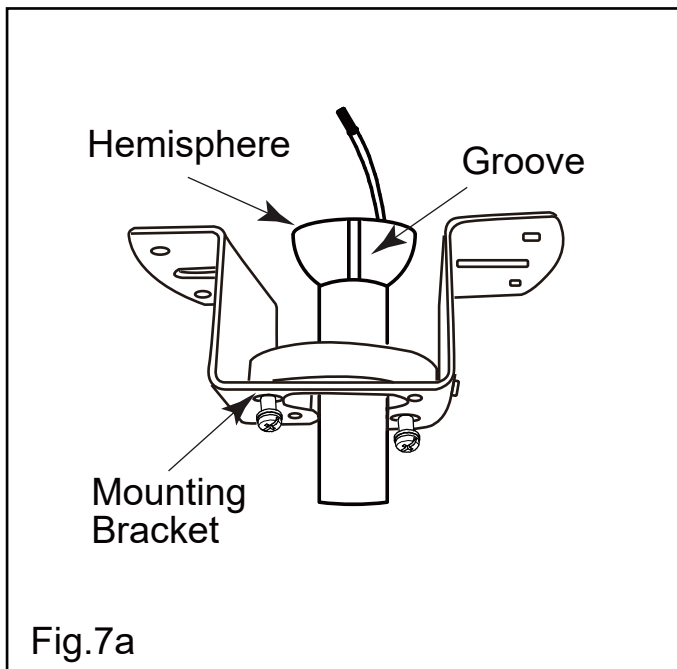
## Quick Switching:

Turning the light off and on quickly will cycle to the next color temperature.

## Step5 ENGAGE HEMISPHERE

- Carefully rotate fan assembly until groove in hemisphere locks over tab of canopy assembly.
- Loosen (do not remove) the two screws on mounting bracket. Slide the canopy up to mounting bracket and place the key hole on the canopy over the screw on the mounting bracket, turn canopy until it locks in place at the narrow section of the key holes.
- Align the holes on the canopy with mounting bracket and secure with the two set of screws until snug.

**WARNING: Failure to properly seat the tab in the groove could cause damage to electrical wires and result in an electric shock or fire hazard.**



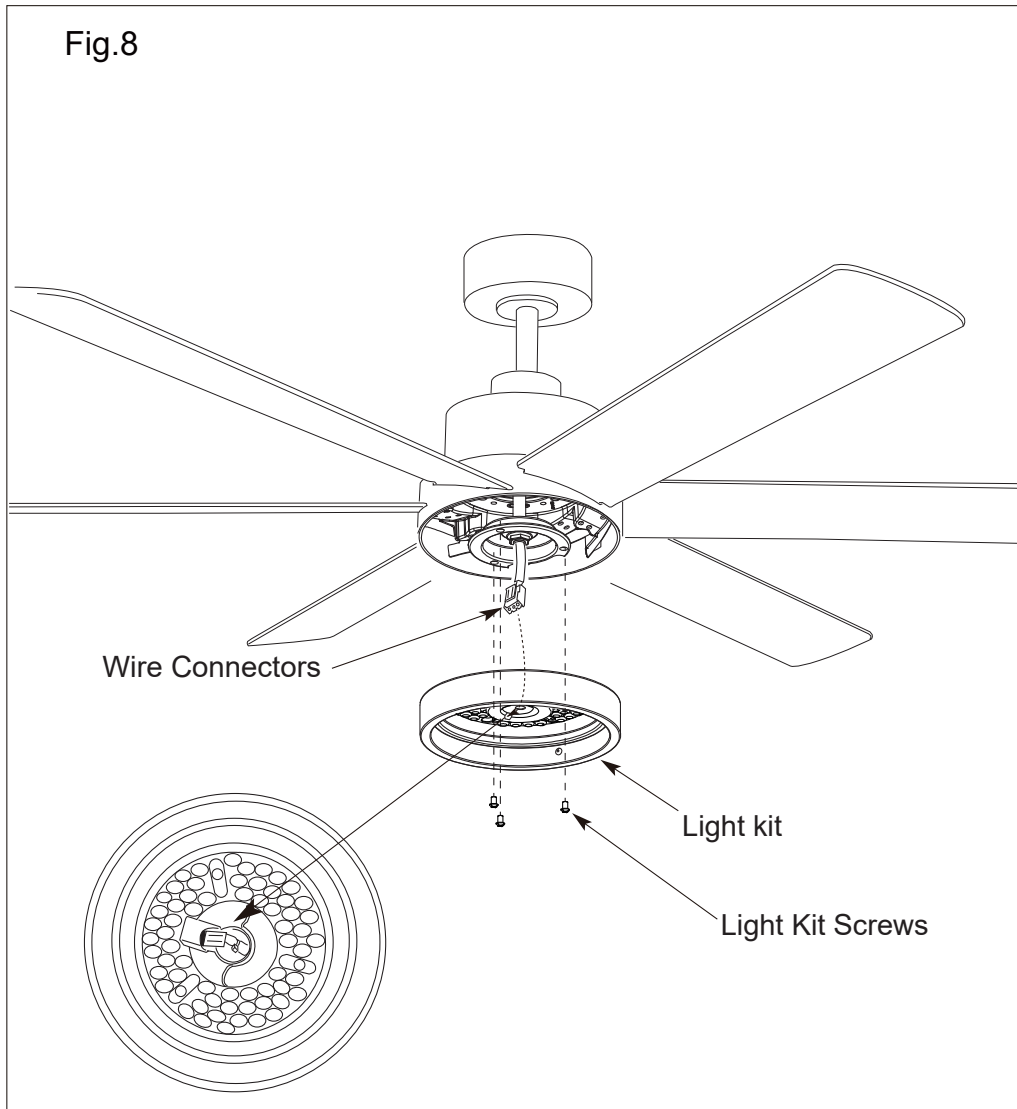
**NOTE: When installing the fan on a sloped ceiling, make sure the tab on the hanger bracket faces toward the top of the slope. Depending on the slope, a longer downrod may be required to prevent the fan blades from hitting the ceiling.**

# Installation Instructions

## Step6 LIGHT KIT

**WARNING: BE SURE TO TURN OFF POWER BEFORE INSTALLING.**

- Remove the light kit screws on the motor.
- Install the light kit shade with the screws removed in the previous step.
- Connect polarized connectors of light kit to corresponding connectors found in switch housing.

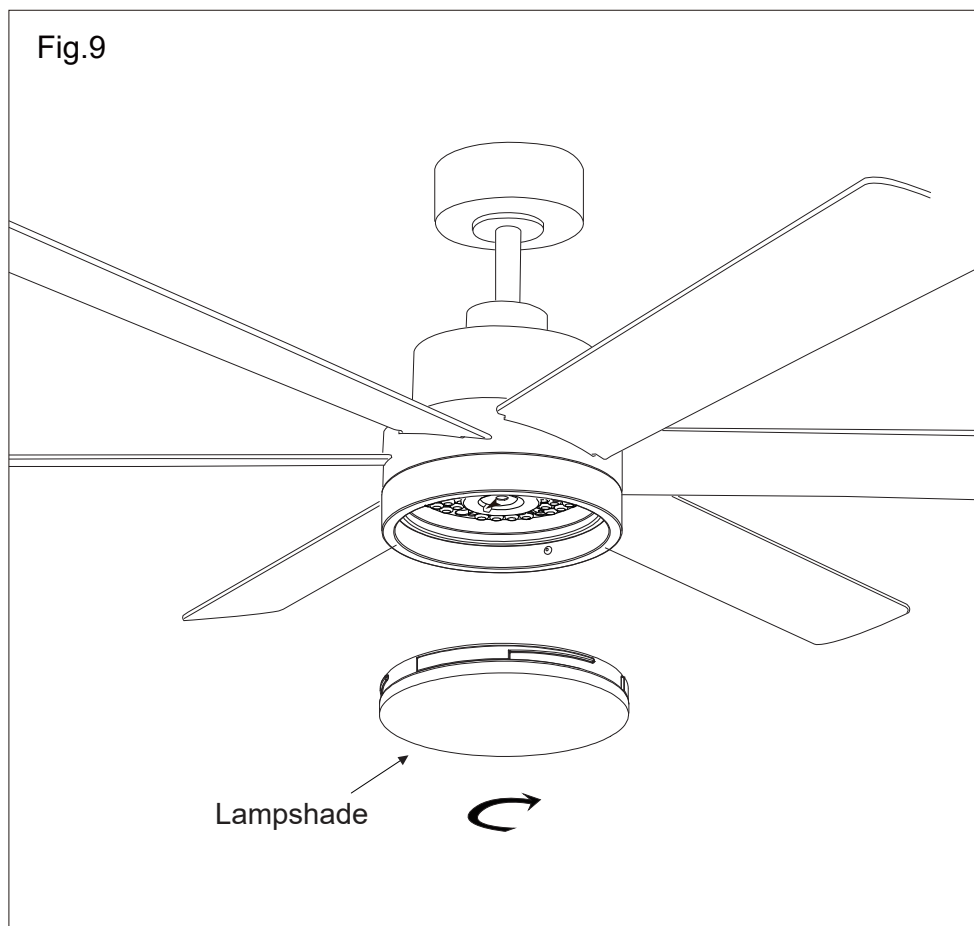


**WARNING: Ensure that all connections, set screws and screws are securely tightened before the next step.**

# Installation Instructions

## Step7 LAMPSHADE

- Place lampshade onto the fan and turn to secure.



# Troubleshooting Guide

If you have difficulty operating your new ceiling fan it may be the result of incorrect assembly, installation, or wiring. In some cases these installation errors may be mistaken for defects. If you experience faults please check this troubleshooting guide.

	Problem	Suggested Remedy
1	If fan does not work.	<ul style="list-style-type: none"> <li><input type="checkbox"/> Check the main and branch circuit fuses or breakers.</li> <li><input type="checkbox"/> Check the line wire connections to the fan and switch wire connections in the switch housing.</li> <li><input type="checkbox"/> Check the battery in the remote control.</li> <li><input type="checkbox"/> Ensure you are in the normal range of 10-20 feet.</li> </ul>
2	If fan sounds noisy.	<ul style="list-style-type: none"> <li><input type="checkbox"/> Ensure all motor housing screws are snug.</li> <li><input type="checkbox"/> Ensure the screws that attach the fan blade bracket to the motor hub are tight.</li> <li><input type="checkbox"/> Ensure the wire nut connections are not rattling against each other or the interior wall of the switch housing.</li> <li><input type="checkbox"/> Observe whether the noise decreases after the fan has been running for 24 hours. Newly installed fans may have noise issues.</li> <li><input type="checkbox"/> If you are using the Ceiling Fan light kit, ensure the screws securing the glassware are tight. Check that the light bulbs are also secure.</li> <li><input type="checkbox"/> Ensure the canopy is a short distance from the ceiling. It should not touch the ceiling.</li> <li><input type="checkbox"/> Ensure the outlet box is securely installed and that rubber isolation pads are used between the mounting plate and the outlet box.</li> </ul>
3	If fan wobbles.	<ul style="list-style-type: none"> <li><input type="checkbox"/> Check that all blades are screwed firmly into blade holders.</li> <li><input type="checkbox"/> Check that all blade holders are tightened securely to motor.</li> <li><input type="checkbox"/> Make sure that canopy and mounting bracket are tightened securely to ceiling junction box and junction box is mounted firmly to ceiling joist.</li> <li><input type="checkbox"/> Most fan wobble problems are caused when blade levels are unequal. Check this level by selecting a point on the ceiling above the tip of one of the blades keeping measure within 1/8 in. Rotate the fan until the next blade is positioned for measurement. Repeat for each blade. If all blade levels are not equal you can adjust blade levels by the following procedure. To adjust a blade tip down insert a washer (not supplied) between the blade and blade holder at the screw closest to the motor. To adjust a blade tip up insert washer (not supplied) between the blade and blade holder at the two screws farthest from the motor.</li> <li><input type="checkbox"/> If blade wobble is still noticeable interchanging two adjacent (side by side) blades can redistribute the weight and possibly result in smoother operation.</li> </ul>
4	If light does not work.	<ul style="list-style-type: none"> <li><input type="checkbox"/> Check blue wire from fan to make sure it is connected to hot wire from the house.</li> <li><input type="checkbox"/> Check for loose or disconnected wires in fan switch housing.</li> <li><input type="checkbox"/> Check for loose or disconnected wires in light kit.</li> <li><input type="checkbox"/> Check for faulty light bulbs. CAUTION: Make sure main power is turned off before entering switch housing.</li> <li><input type="checkbox"/> If the fan light shuts off shortly after being switched on it may be due to excessive current demand. Turn off power to the fan and replace the light bulbs with lower wattage bulbs. Turn on power to the fan using the pull chain, wall switch, or remote control (whichever is installed on the particular fan).</li> </ul>

## Balancing Kit

The Balancing kit should only be used if there is an unacceptable amount of fan wobble after completing all the steps in your Owners Manual under “Attaching The Fan Blades.”

1. Turn on the fan and set the speed control setting to a speed at which the wobbles is the greatest.
2. Turn off the fan and allow it to come to a complete stop. Select one blade and place the balance clip on it, halfway between the blade holder and the blade tip on the trailing edge of blade.
3. Turn on the fan. Note whether the wobble has increased or decreased. Turn off the fan, move the clip to another blade, and retest. Repeat this procedure on all blades noting the blade on which the greatest improvement is achieved.
4. Move the clip back to the blade that showed the greatest improvement. Move the clip inward and outward on this blade and operate the fan to find the position where the clip gives the greatest improvement.
5. Remove the clip and install a balancing weight to the top of blade along the center line near the point where the clip was positioned.
6. If the fan wobble problem has not been corrected you can try to improve the balancing further by using the balancing clip and additional weights.

