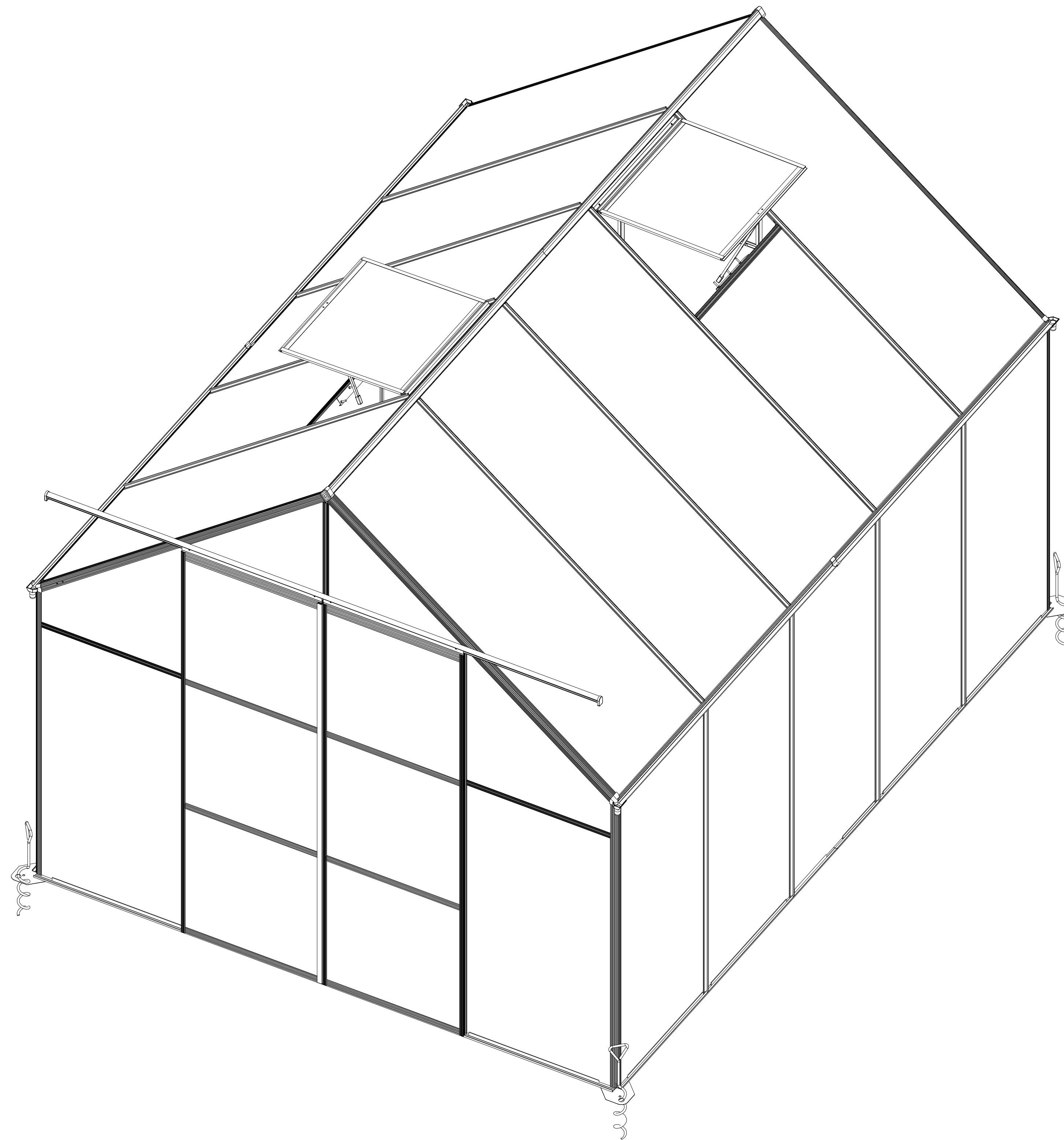


Greenhouse 10'x8'ft Assembly Instructions



IMPORTANT

You must read these instructions carefully before you start to assemble this greenhouse. Please ensure that you find all parts in the carton box in the correct type and quantity as mentioned in the list illustrated in every page accordingly.

Please carry out the steps in the order set out in these instructions.

Do not tighten the steps in the greenhouse until completing on the assembly of the poly carbon ate panels.

Keep these instructions in a safe place for future reference.

SAFETY ADVICE

We strongly recommend the use of work gloves during assembly.
Do not attempt to assemble the greenhouse in windy or wet conditions,
Do not touch overhead power cables with the aluminum profiles.
Always wear shoes and safety goggles when working with extruded aluminum.
Dispose of all plastic bags safely-keep them out of reach of small children.
The greenhouse must be positioned and fixed on a flat level surface.
Do not lean against or push the greenhouse during construction.
Keep children away from the assemble area.
Do not position your greenhouse in an area exposed to excessive wind.
Do not attempt to assemble this greenhouse if you are tired ,have taken drugs or alcohol
or if you are prone to dizzy spells.
If using a step ladder or power tools ensure that you follow the manufactures safety advice.
Hot items such as recently used grills, blowtorches etc.must not be stores in the greenhouse.
Ensure there are no hidden pipes or cables in the ground before inserting the pegs.

GENERAL ADVICE

This is a multi-part assembly, Allow at least 220 minutes for assembly.
Selecting a site-choose a sunny level position away from overhanging trees.
If you are fixing your greenhouse directly to a solid concrete foundation use the pre drilled
holes in the metal base supplied.
The component parts should be checked and laid out close at hand.
Keep all small parts (screws etc)in a bowl so they do not get lost.
Note that the door is hinged on the right hand side and therefore opens tothe right.
Keep roof clear of snow and leaves.

CARE & MAINTENANCE

When your greenhouse needs cleaning, use a mild detergent solution and risen
with cols clean water.
Do NOT use acetone, abrasive cleaners or other special detergents to clean the
clear panels.

TOOLS & EQUIPMENT REQUIRED

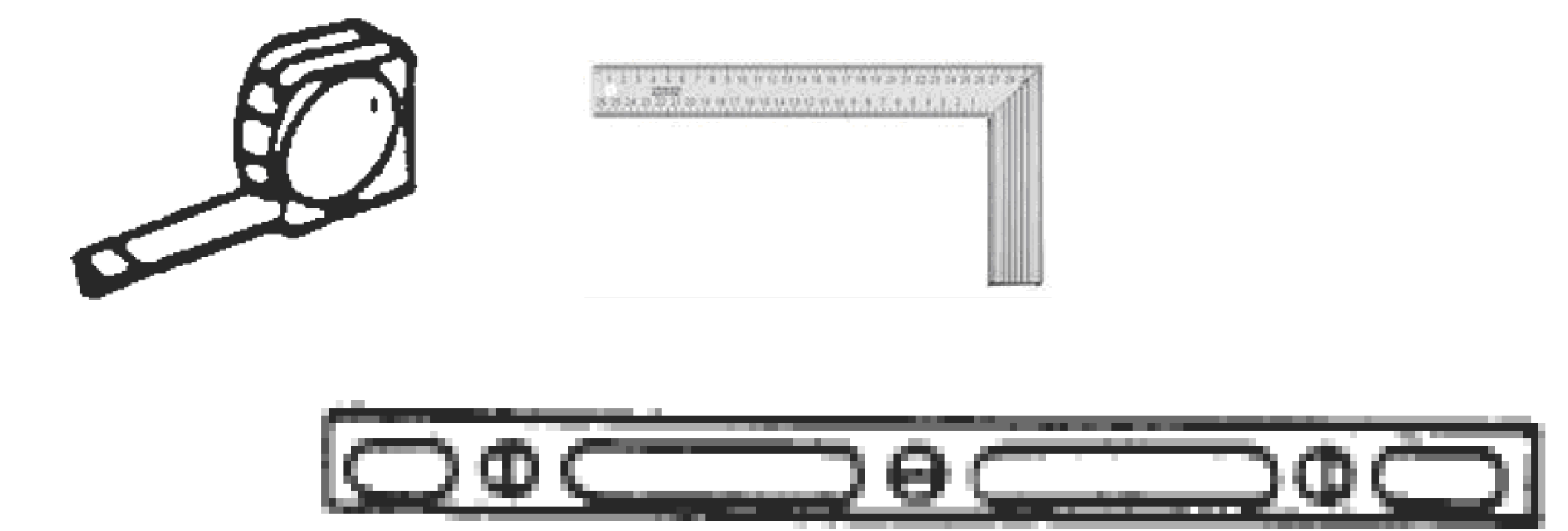
Protective Equipment:

- 1.Helmet
- 2.Glove
- 3.Long Sleeve Cotton Overalls
- 4.Emergency Medicine Cabinet
- 5.Eye Shield



Measure (metric):

- 1.The Tape (5 m)
- 2.Angle Square
- 3.Level Meter



Installation Tool:

1. Triangle Stairs≈1.5m Height
2. Spanner 10mm (Ratchet Wrench is better)
3. Electric screwdriver+10mm hex bolt sleeve(suggest)
4. Wooden Mallet
5. Marking Pen
6. Silicon
7. Knife
8. Phillips screwdriver



Silicon

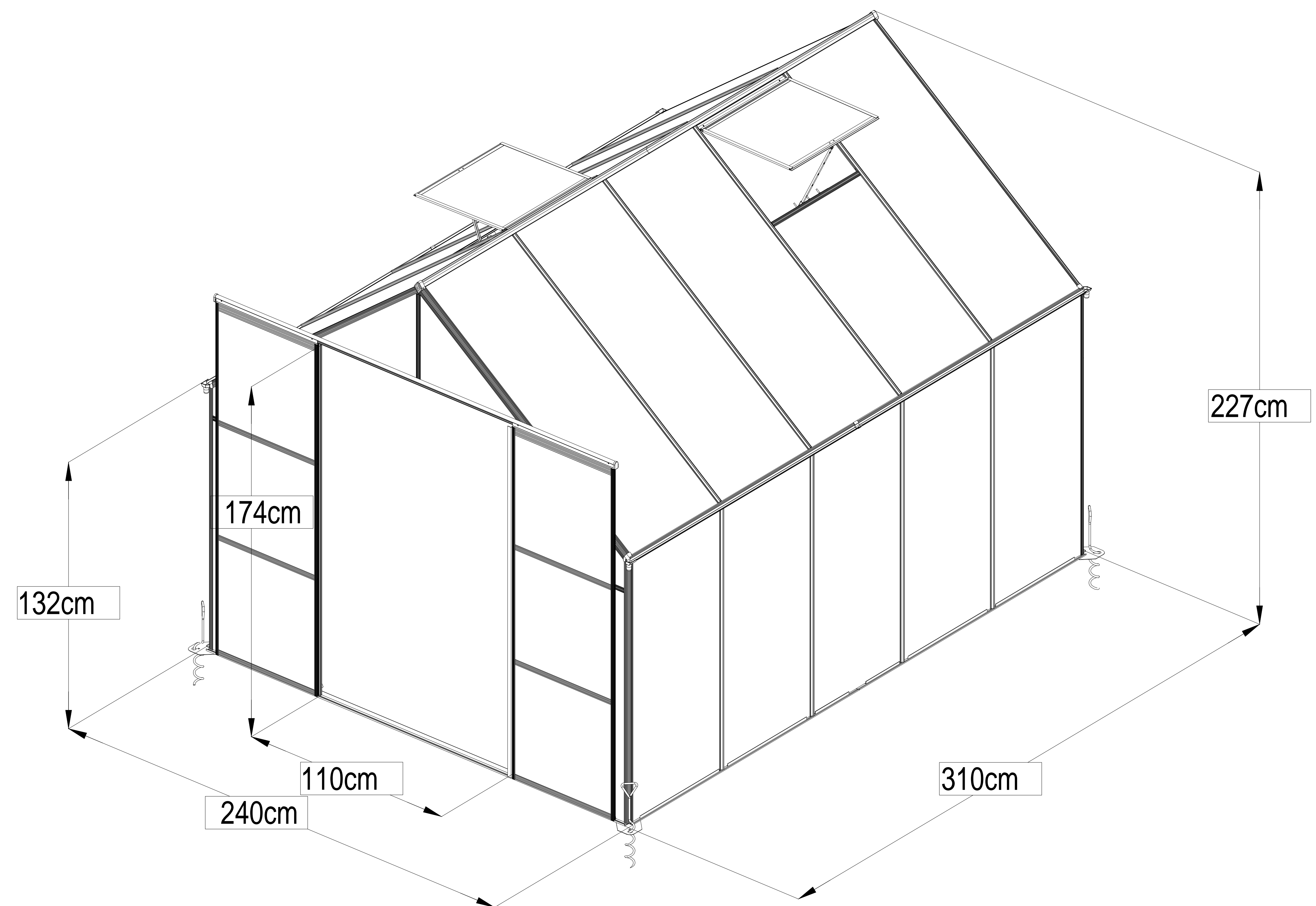
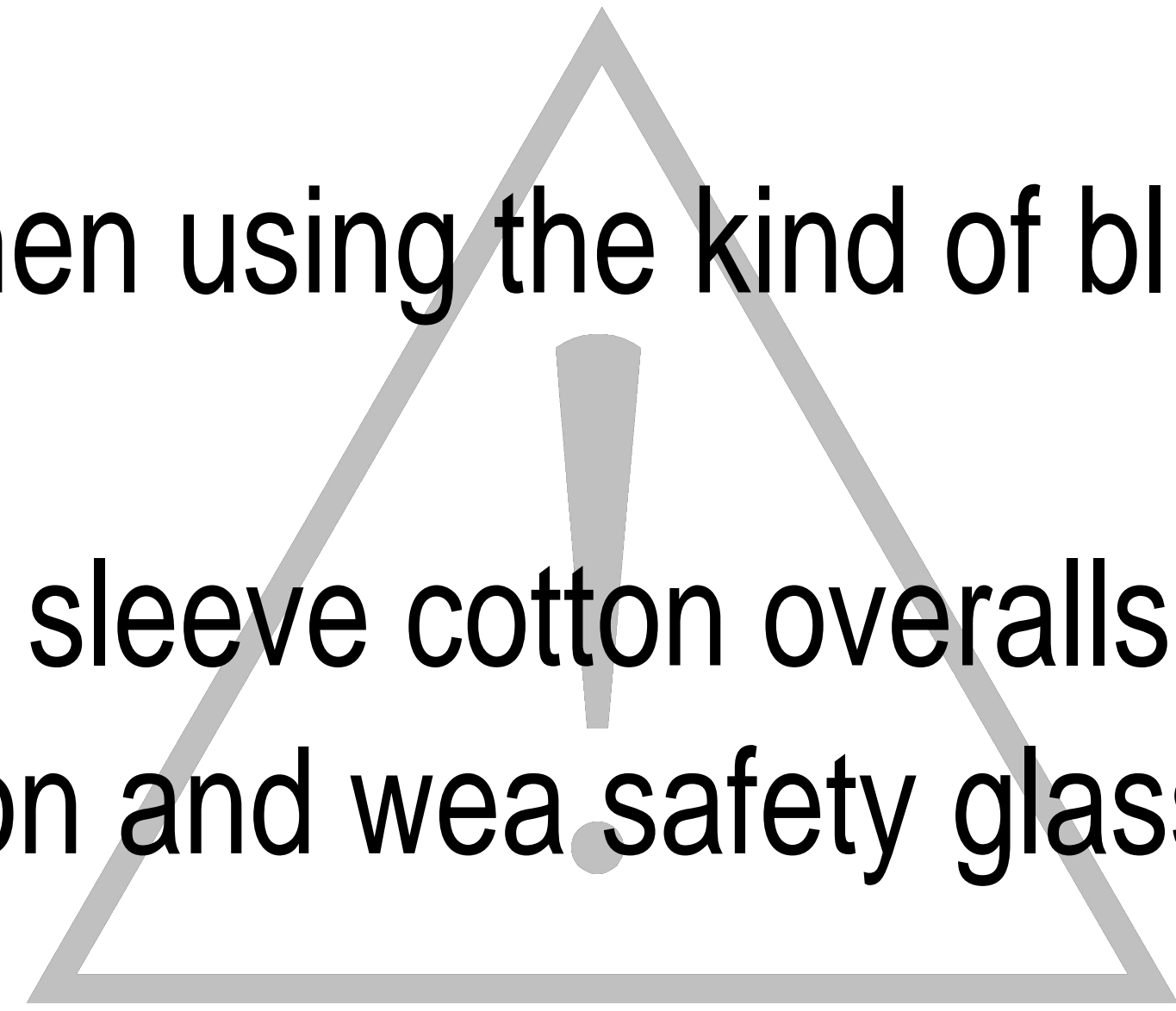
PRODUCT SIZE

Firstly, make sure a good installation location.

Find a flat ground which is 2 times bigger than the Green house before installation.

OTHER CAUTIONS

1. 3-4 people required, one is for measuring & taking marks to ensure the installation dimension, the second person is responsible for the installation and the last one do as assistant and assure the safety.
2. High-power electric tools are required, ensure the normal work of them and highly pay attention to electric safety.
3. Be careful when using the kind of blunt tools, like hammer.
4. Wearing long sleeve cotton overalls, gloves and helmet during installation and wear safety glasses when using power tools.
5. No up watching when working height, or the drop screws may hurt your eyes and suffocation causing accidentally when fall into your mouth.
6. No climbing, No standing on the tent to avoid falling down.
7. If injured, please rush him/her to a nearby hospital

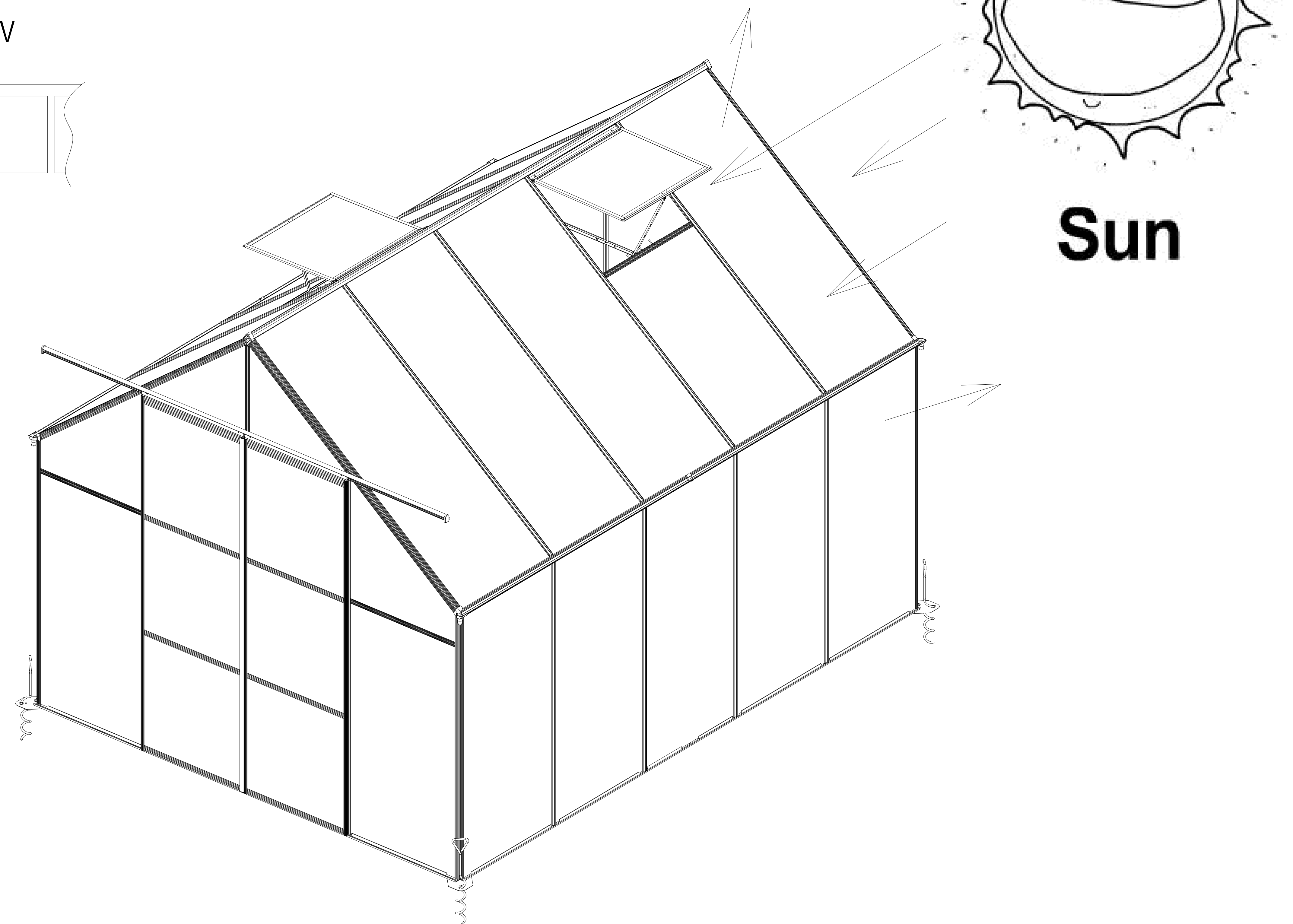
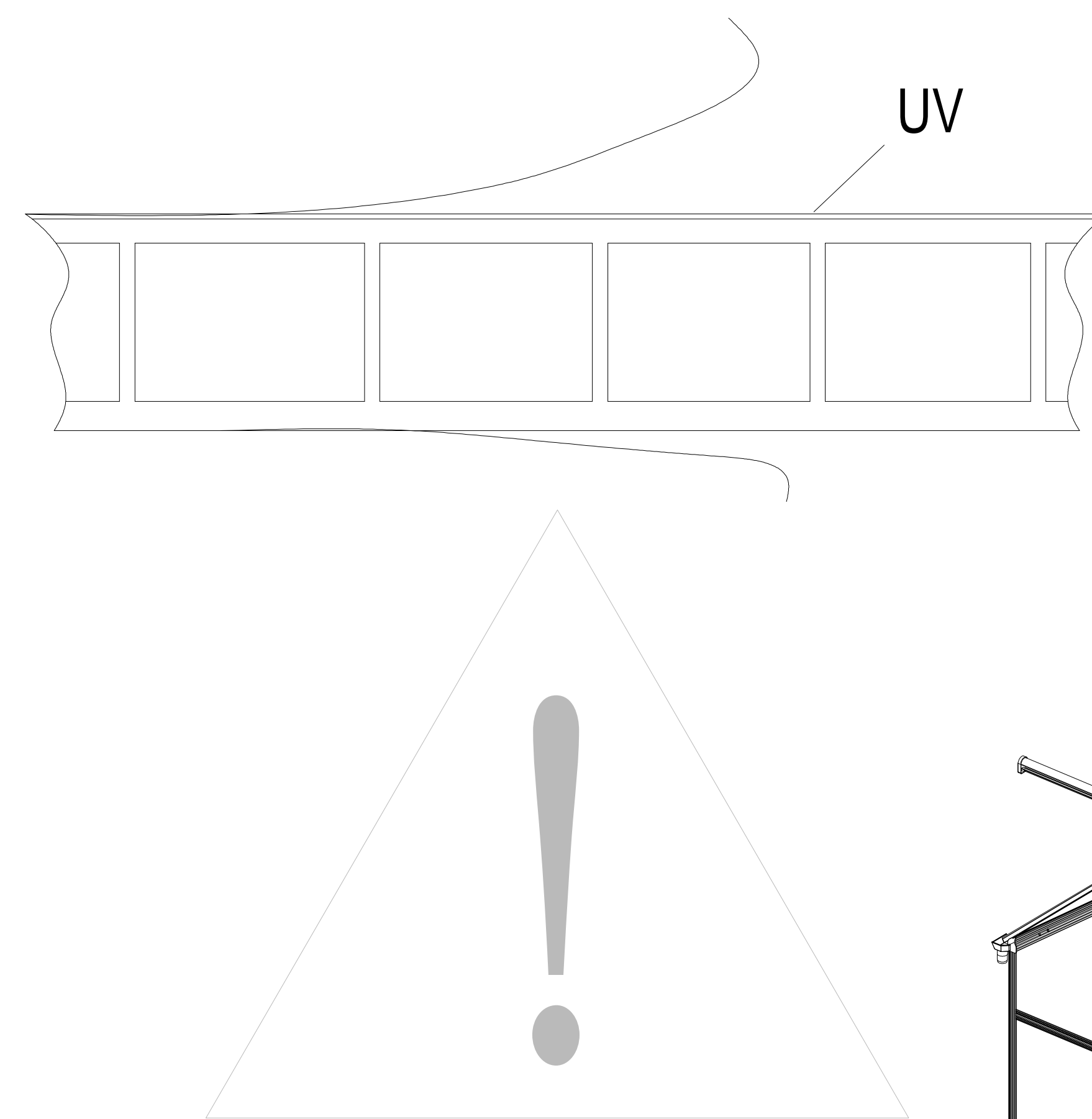
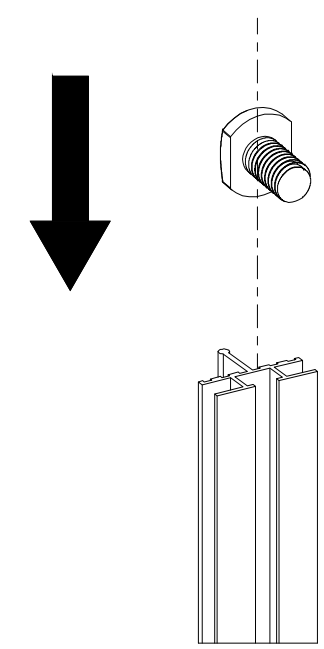


Towards the white film side to the sun as it is UV-protected.

Before you assemble this accessory, please pre-install screws to this accessory and the quantity for pre-install's screw, please refer to the details of each page's figure show.

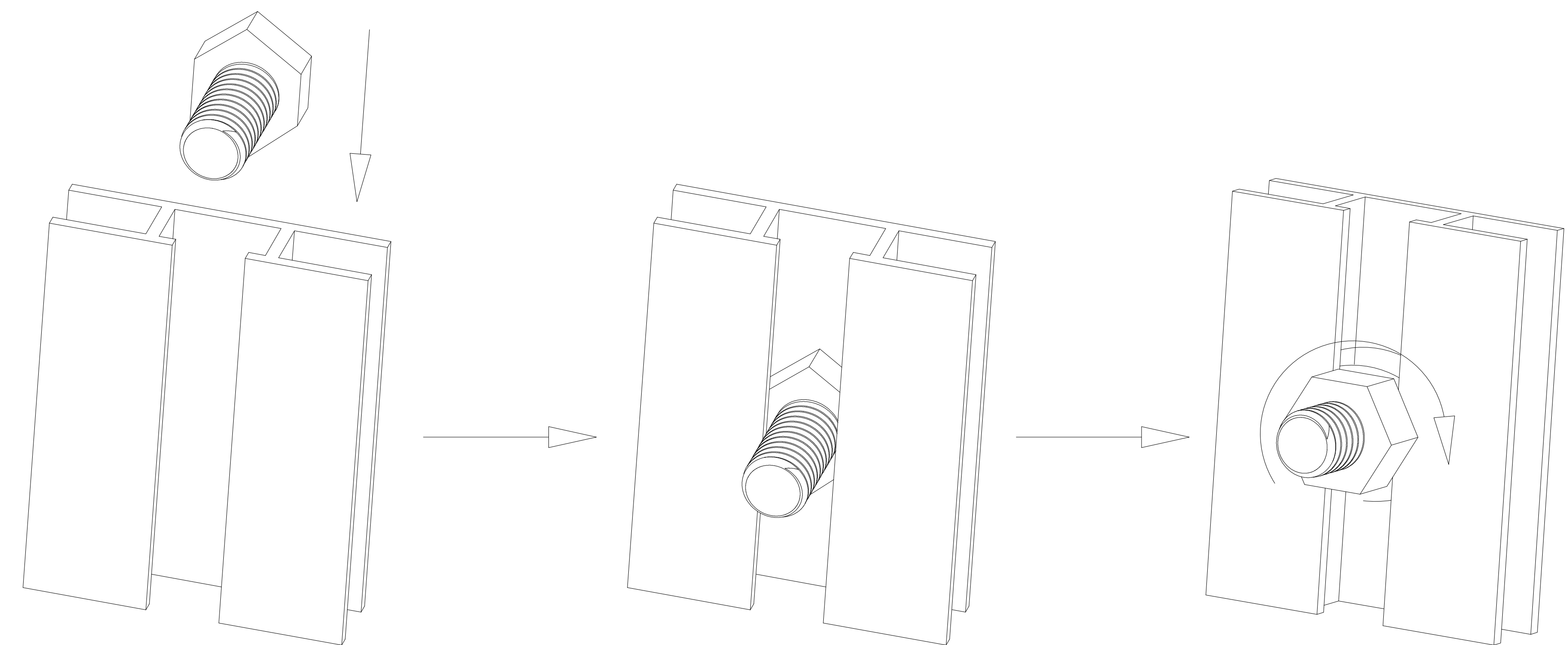
Pre-install

Page No.



"hexagonal screw" installation

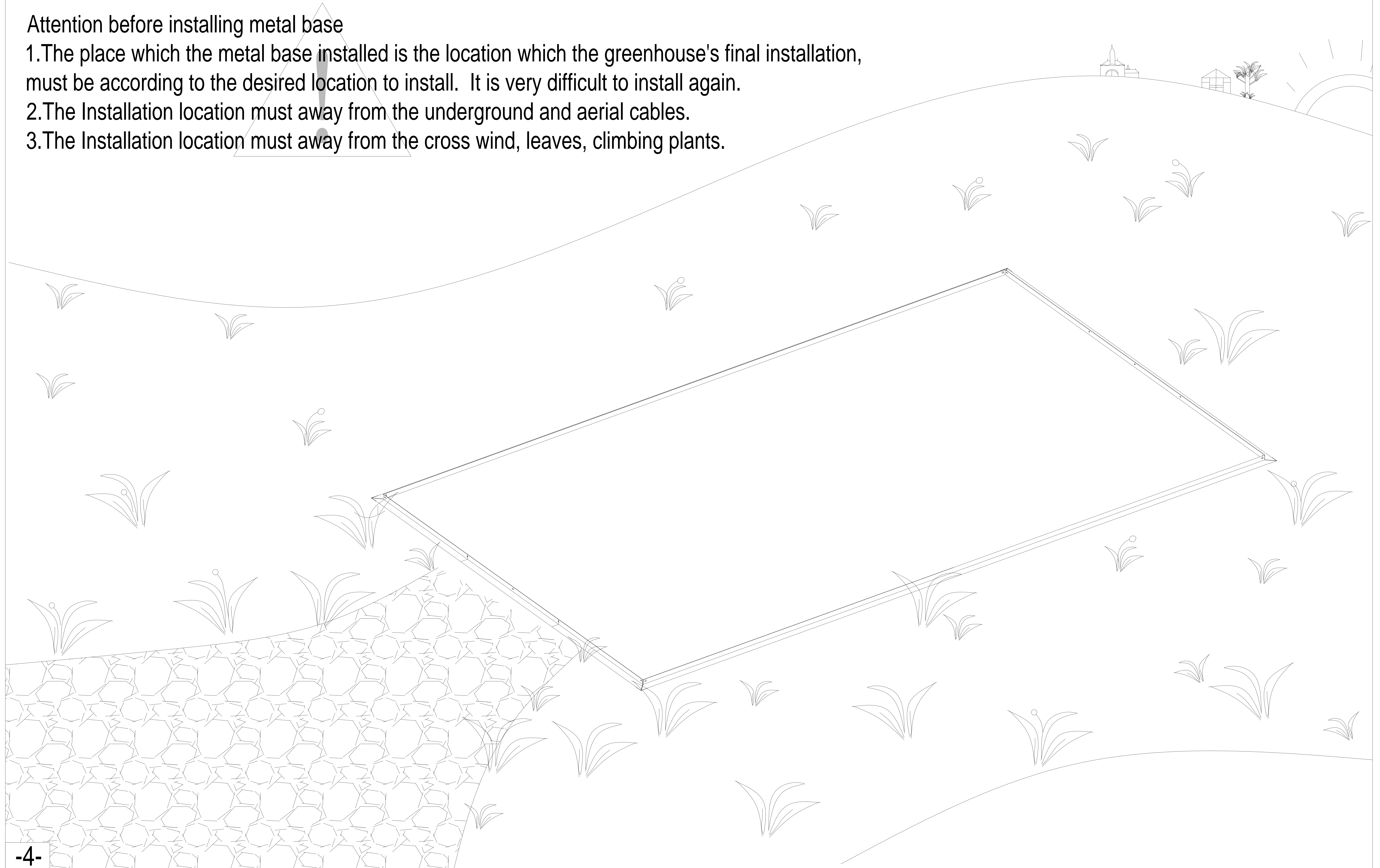
Place the "hexagonal screw" into the groove, turn clockwise until it stops turning.
 Adjust the "hexagonal screw" by hand and twist so threads fix it in place.
 Place other parts on "hexagonal screw" and assemble nut .



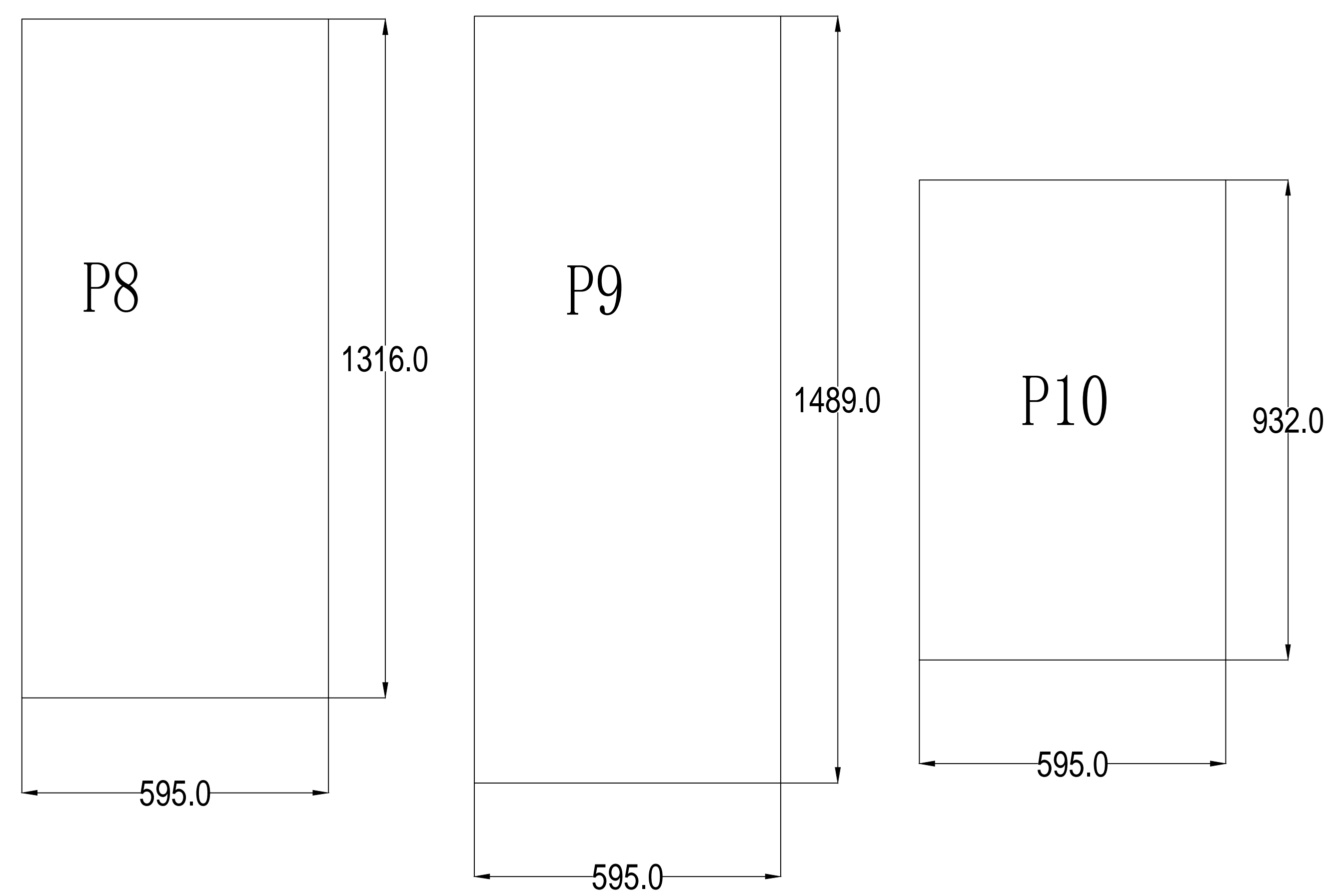
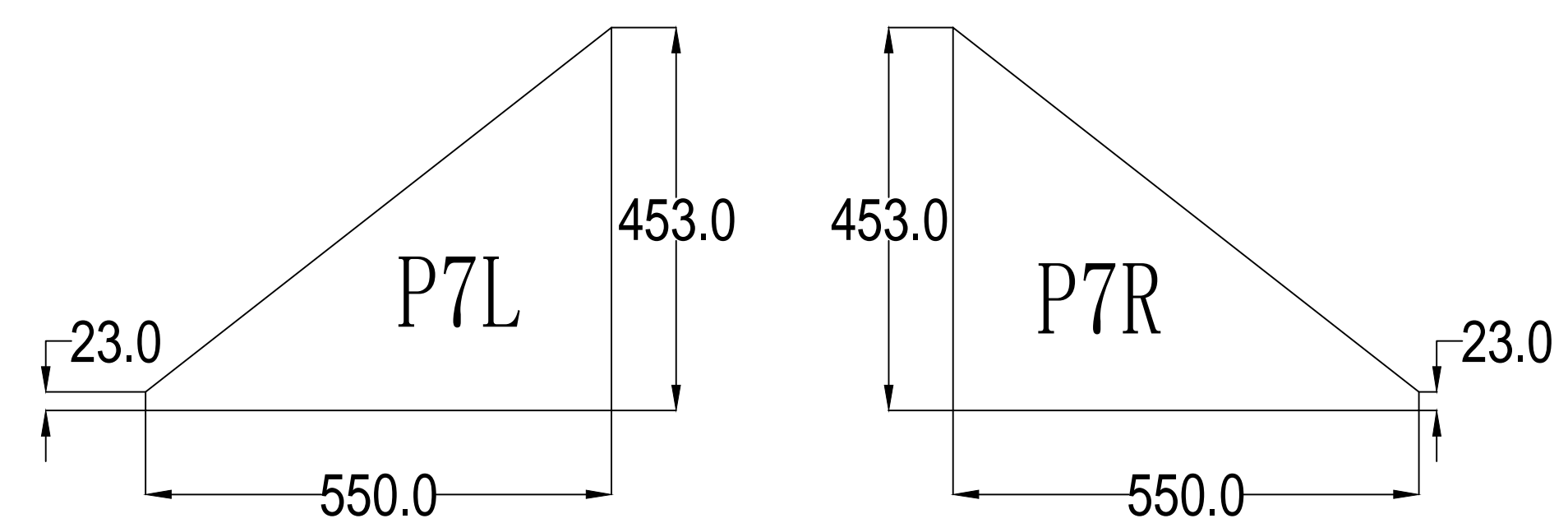
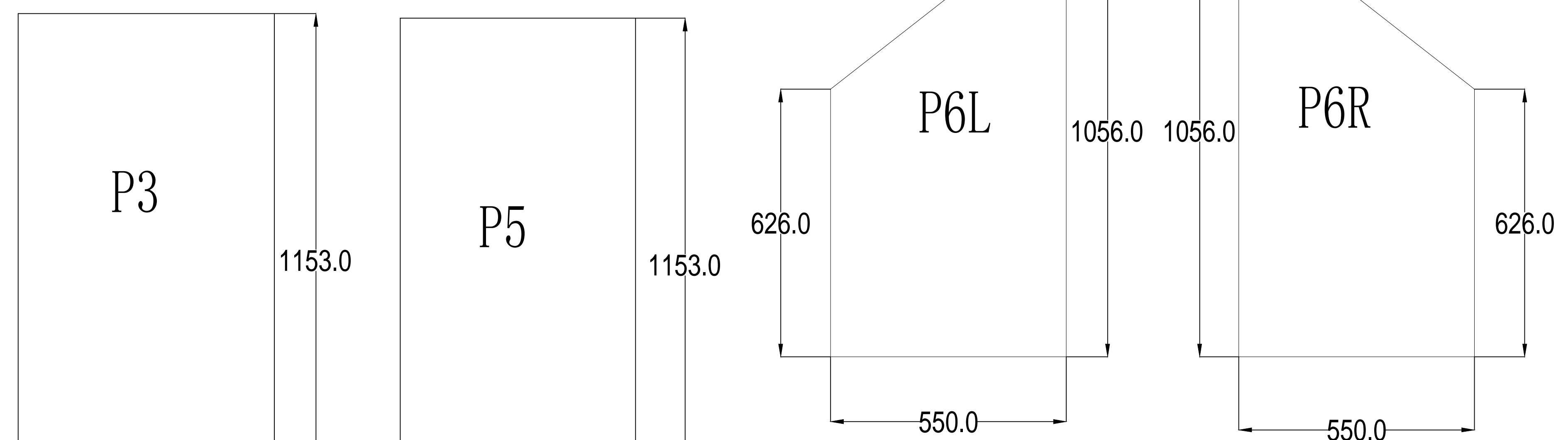
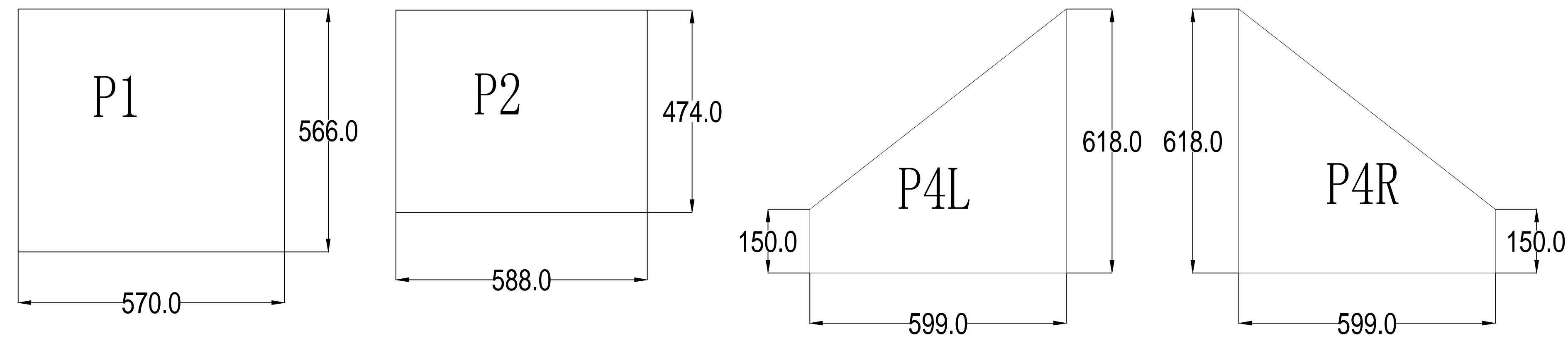
BASE

Attention before installing metal base

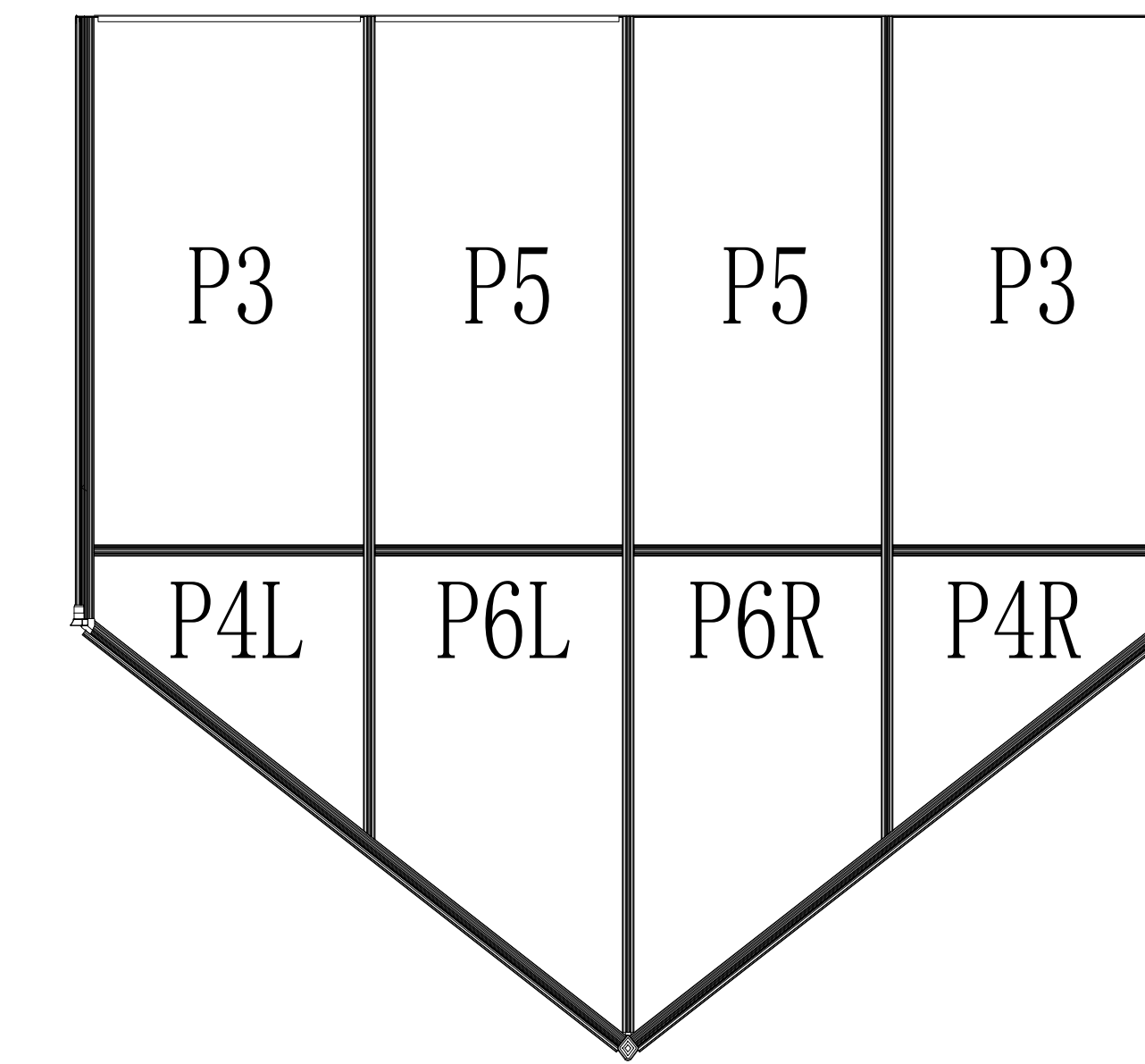
- 1.The place which the metal base installed is the location which the greenhouse's final installation, must be according to the desired location to install. It is very difficult to install again.
- 2.The Installation location must away from the underground and aerial cables.
- 3.The Installation location must away from the cross wind, leaves, climbing plants.



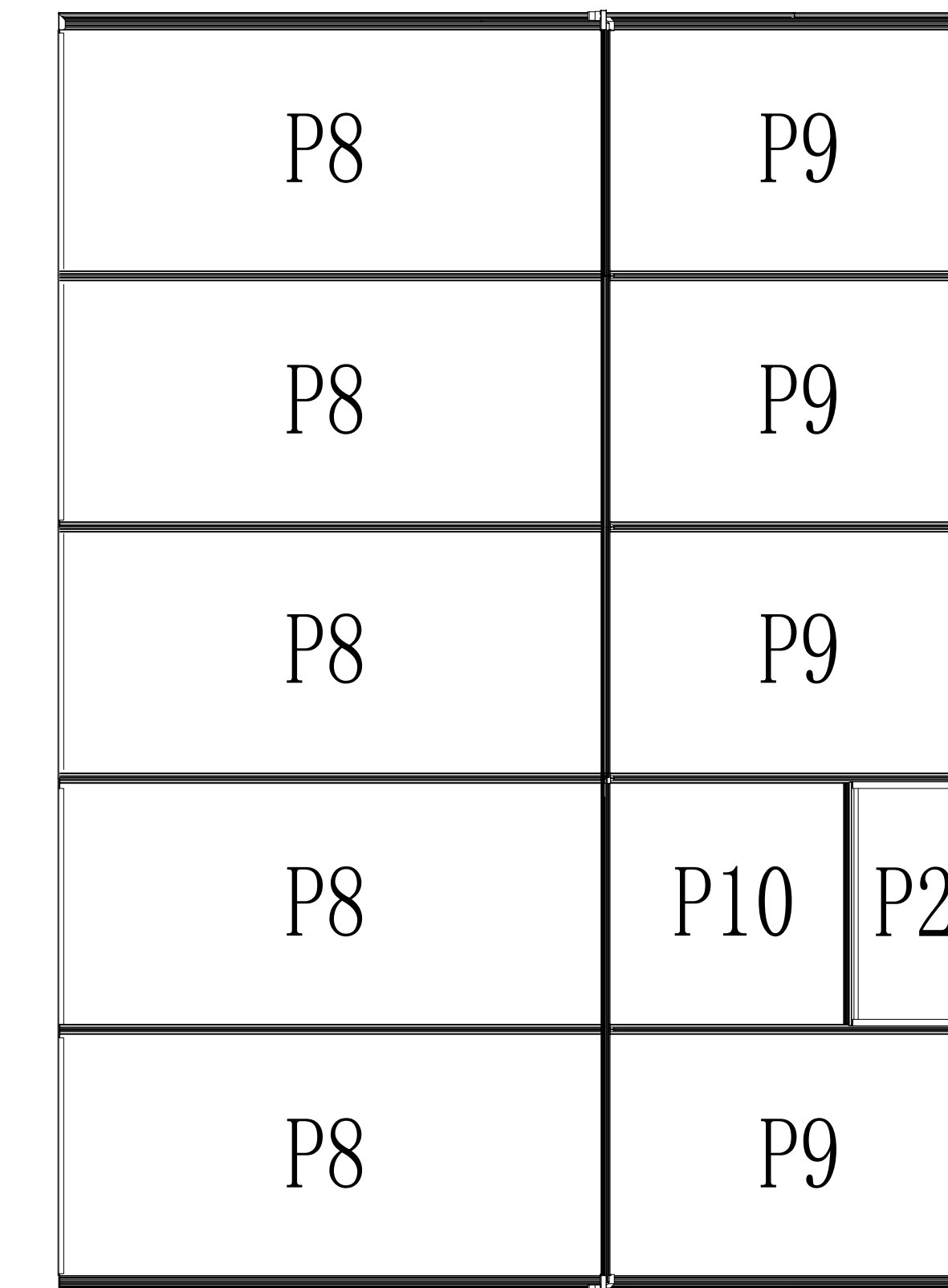
SUMMARY STATEMENT FOR POLYCARBONATE PANEL



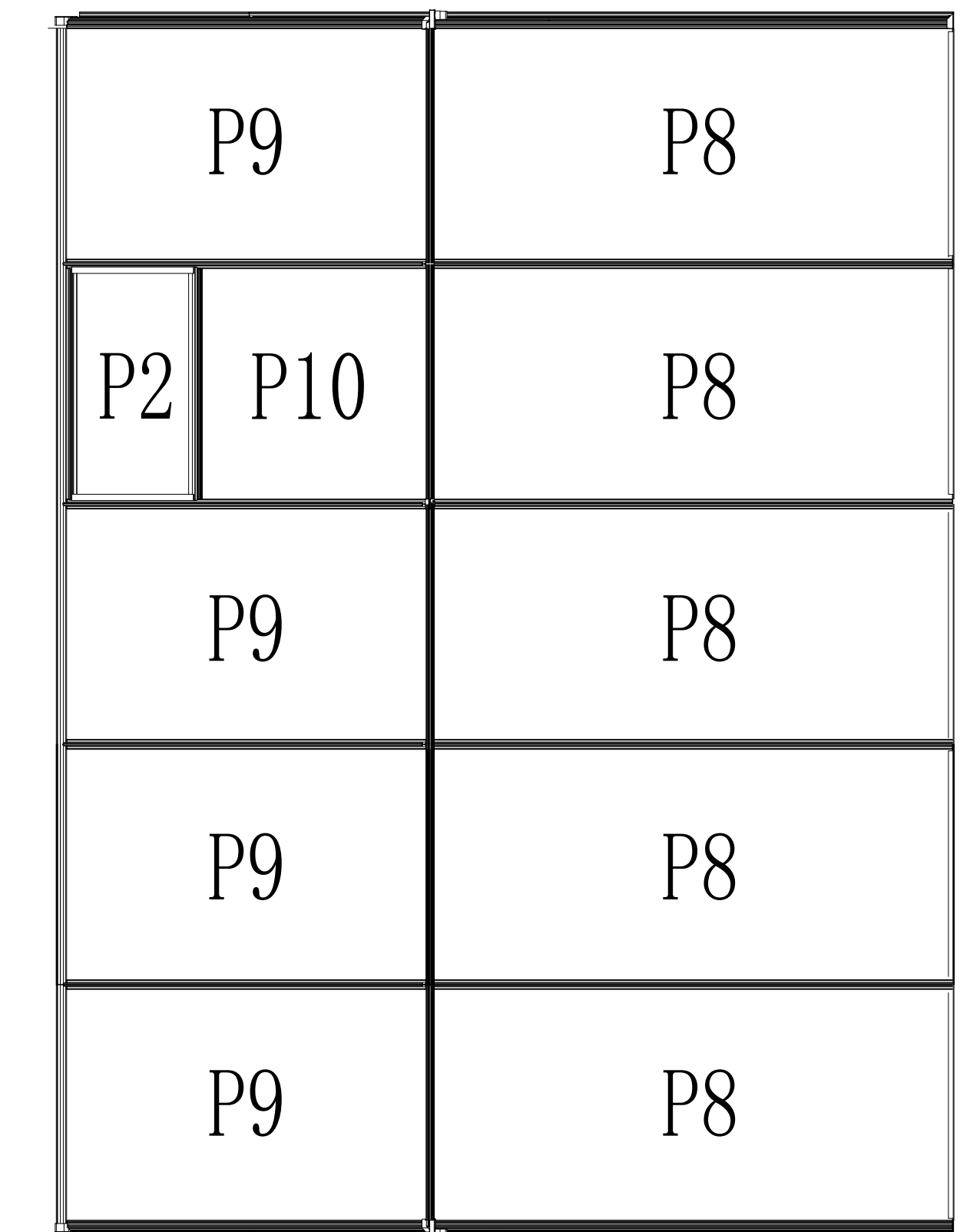
NO.	Qty.	NO.	Qty.
P1	6	P7L P7R	1/1
P2	2	P8	10
P3	4	P9	8
P4L P4R	2/2	P10	2
P5	2		
P6L P6R	1/1		



Back

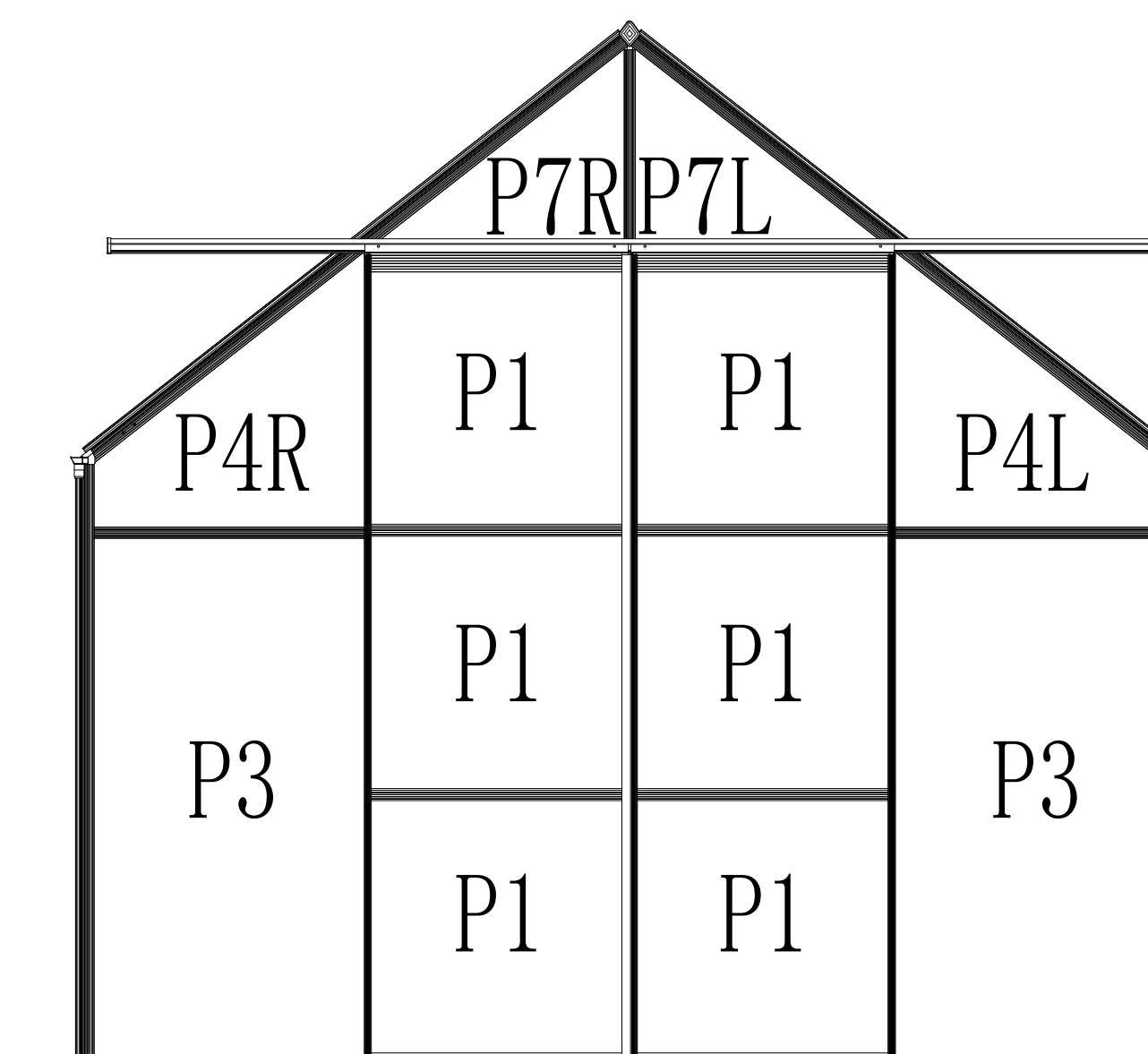


Left



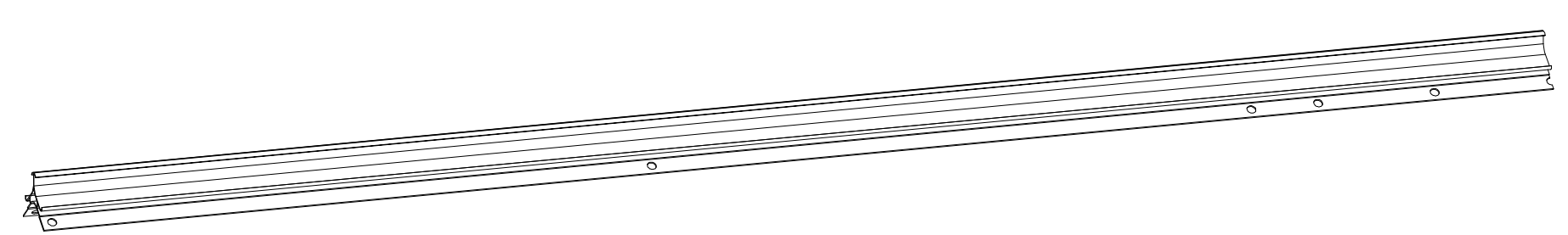
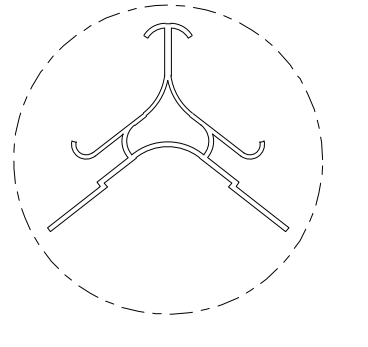
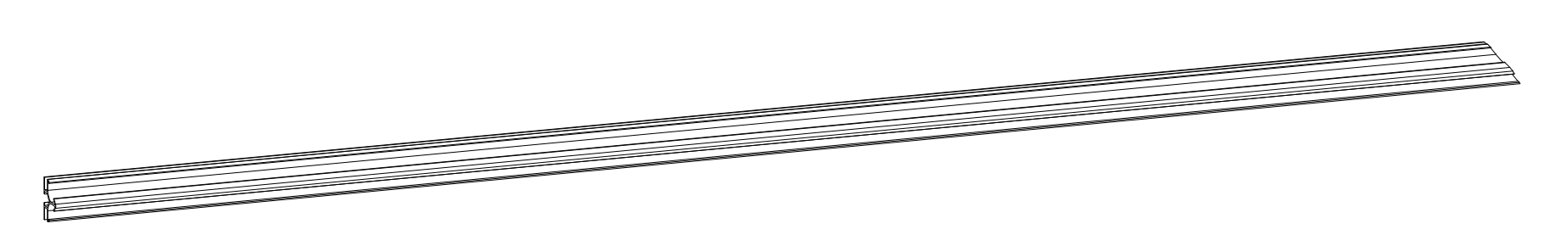
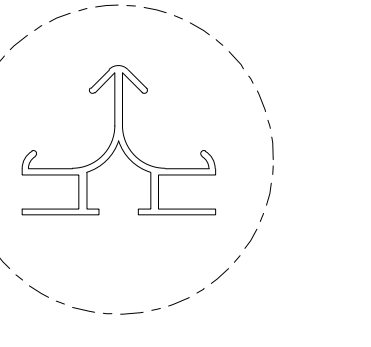
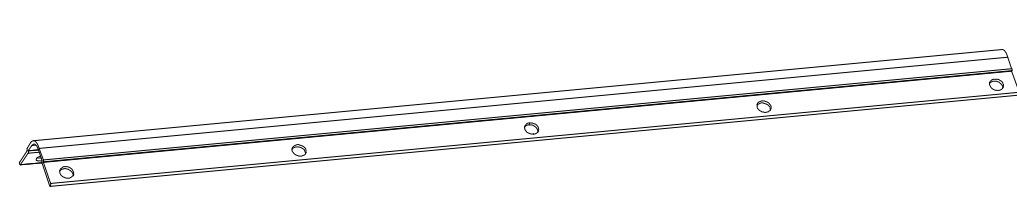
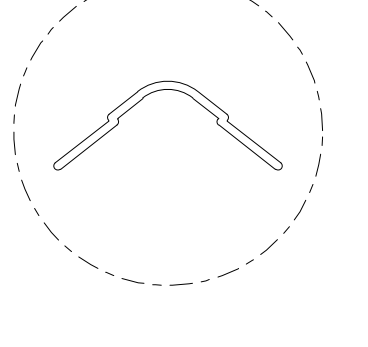
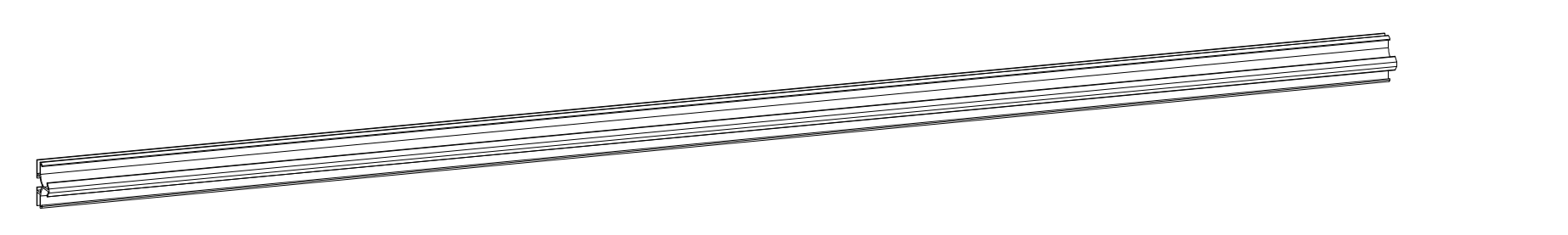
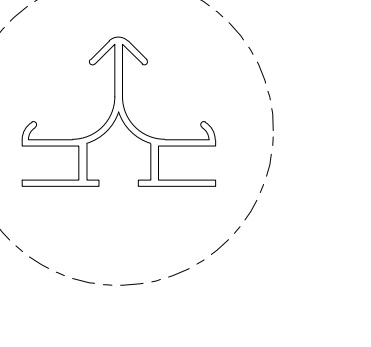
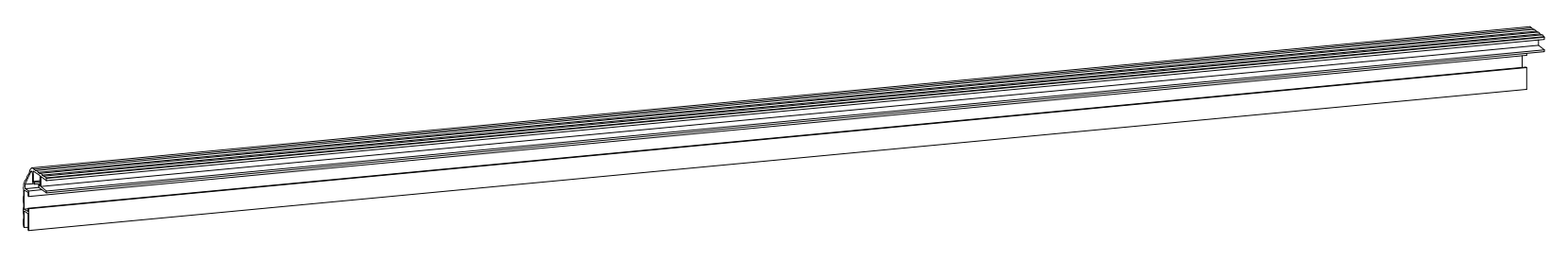
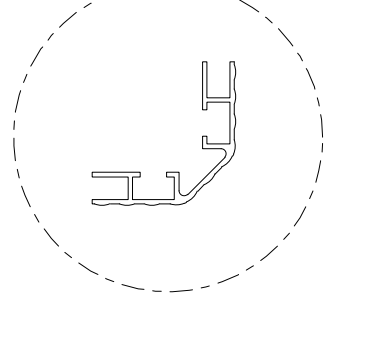
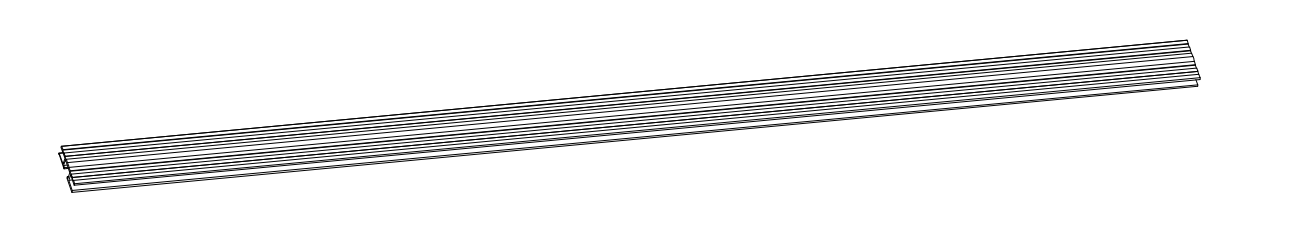
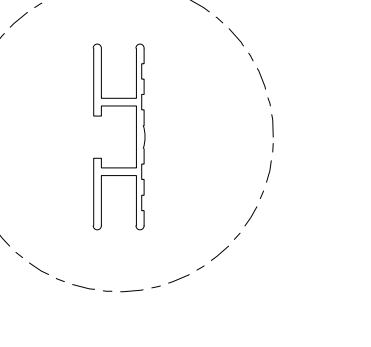
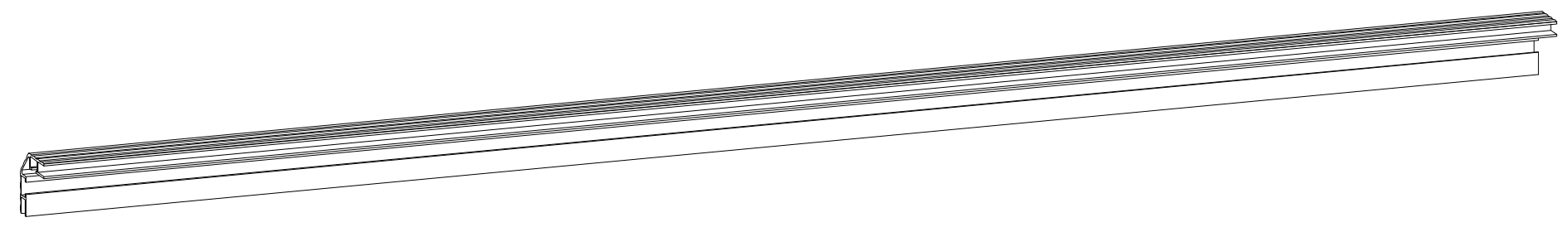
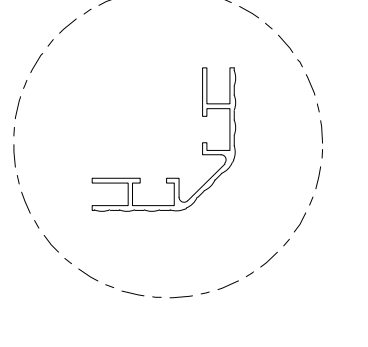
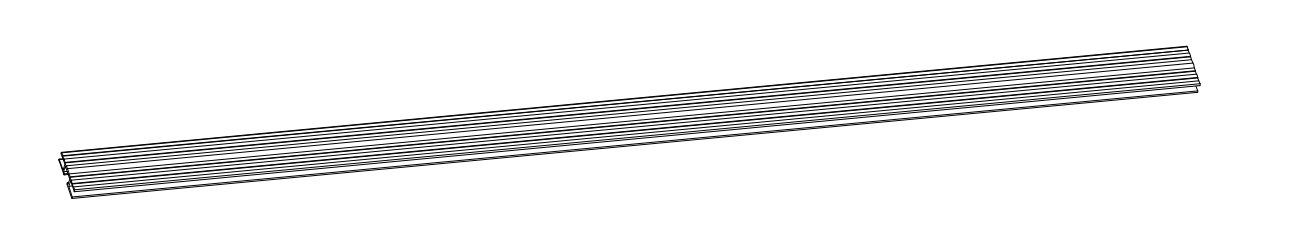
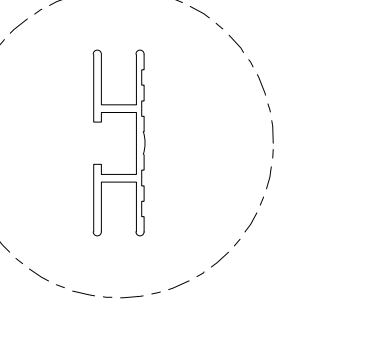
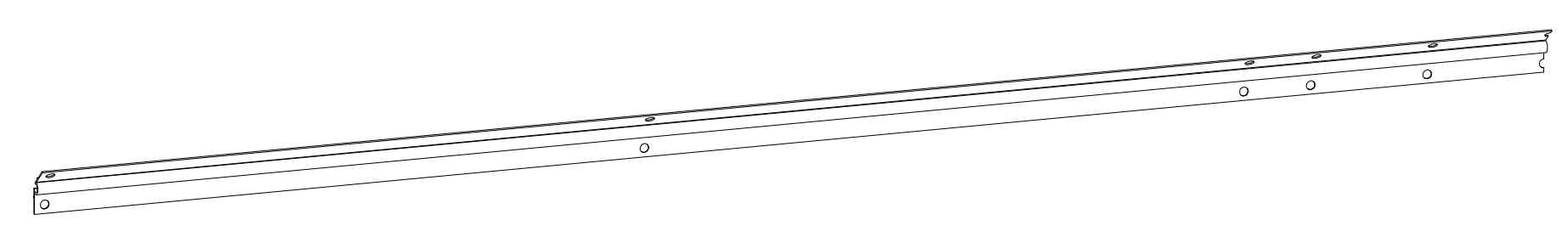
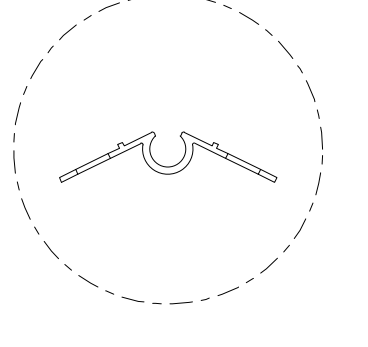
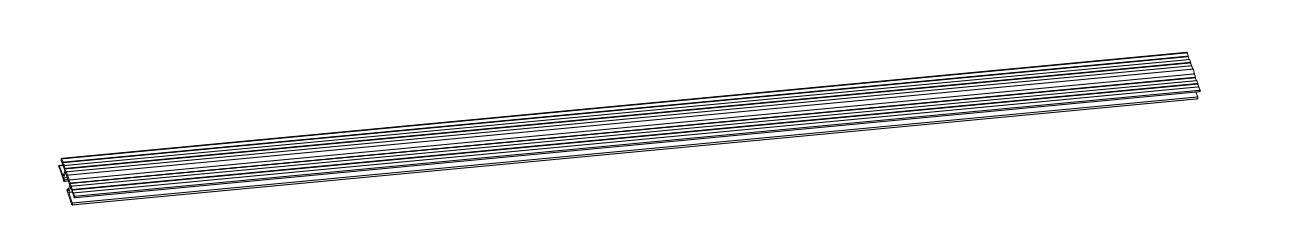
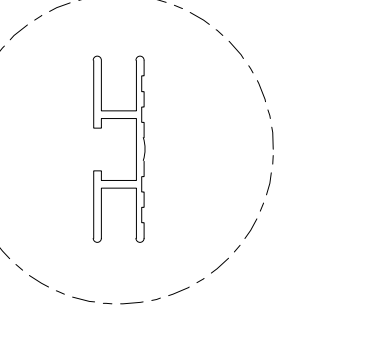
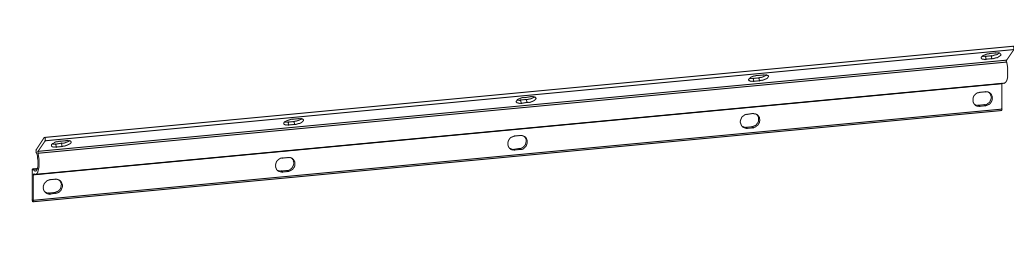
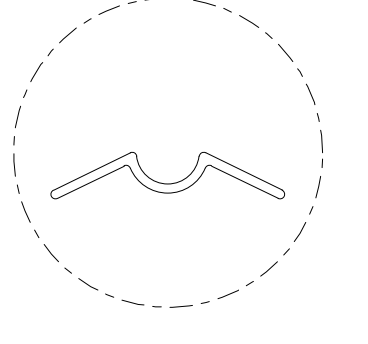
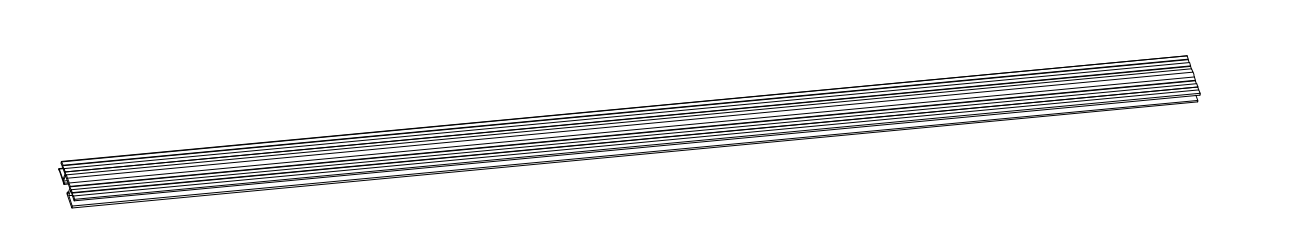
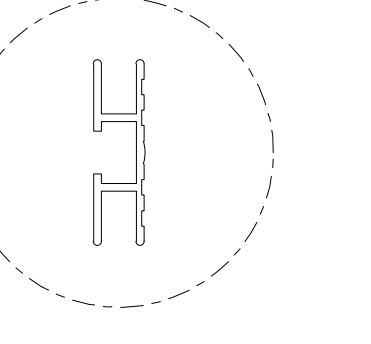
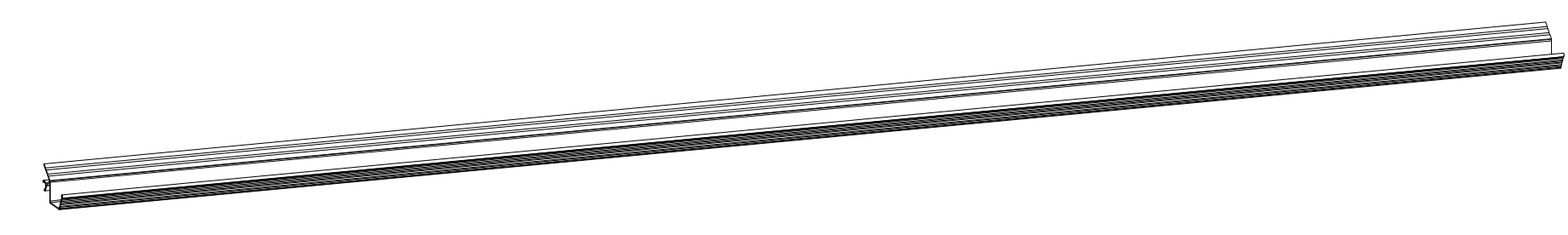
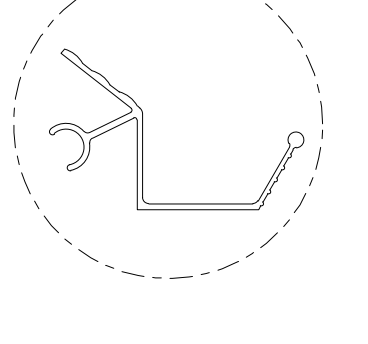
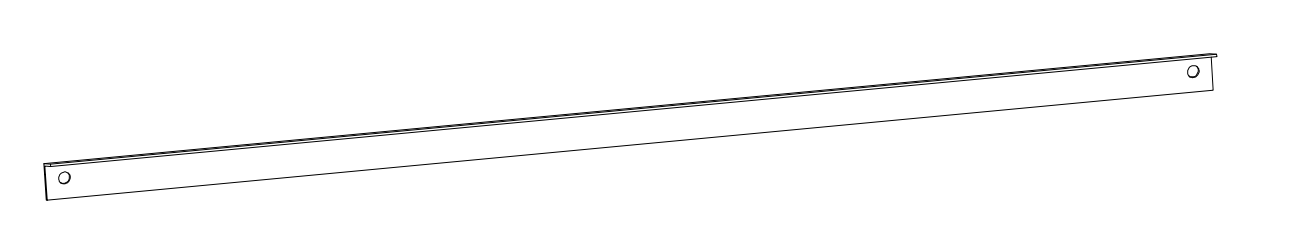
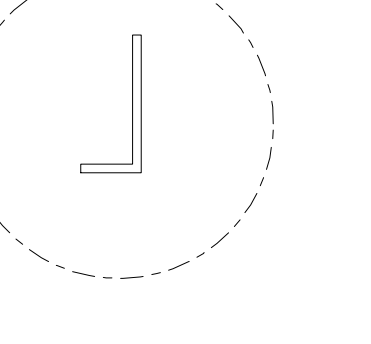
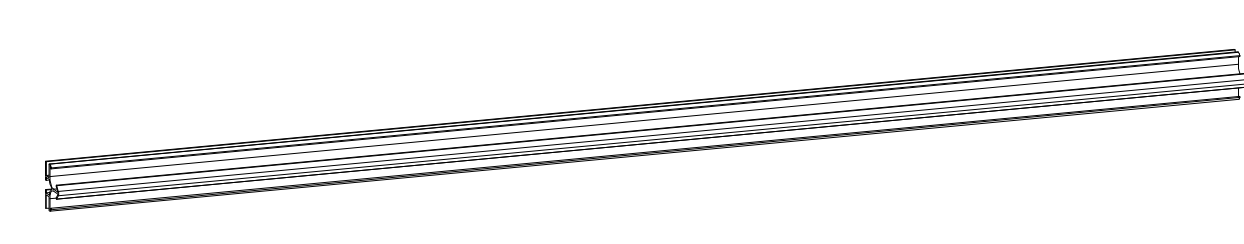
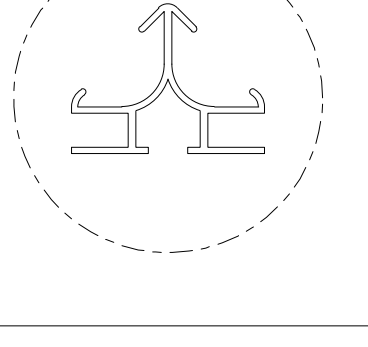
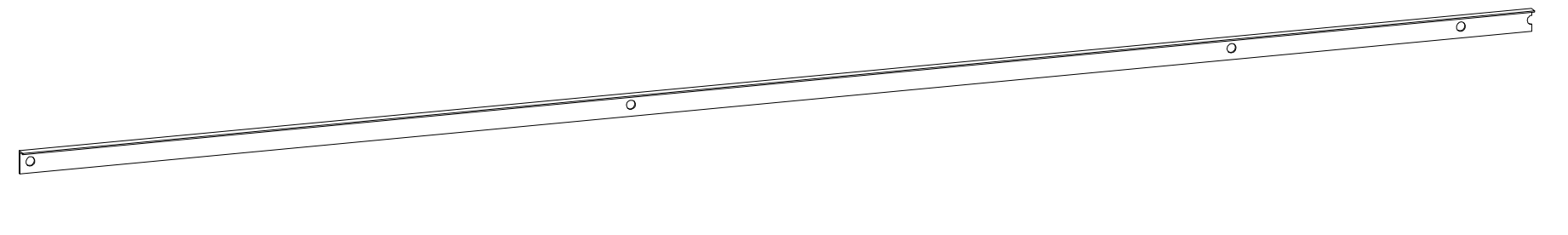
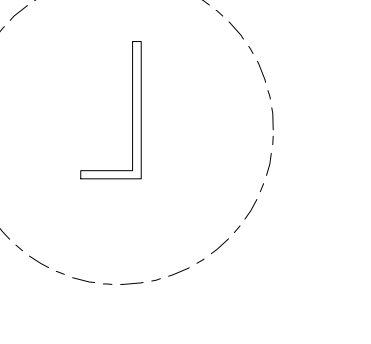
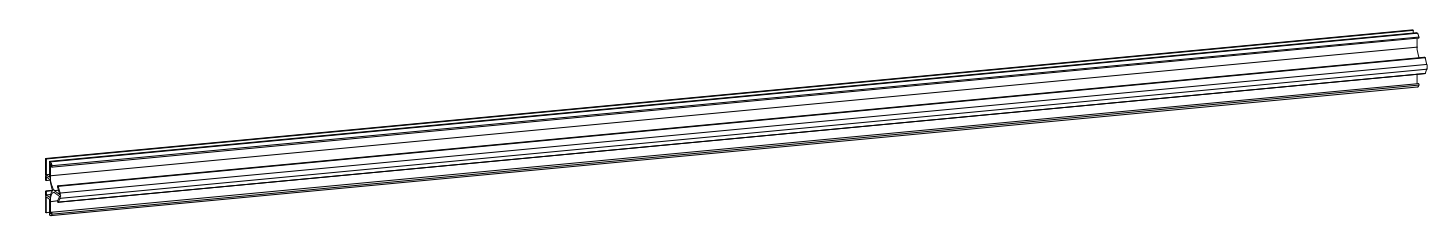
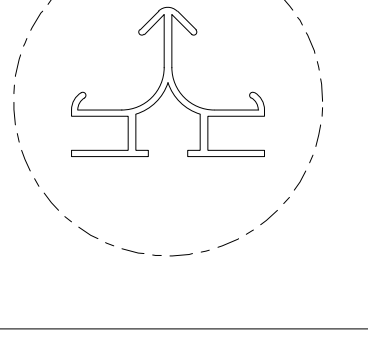
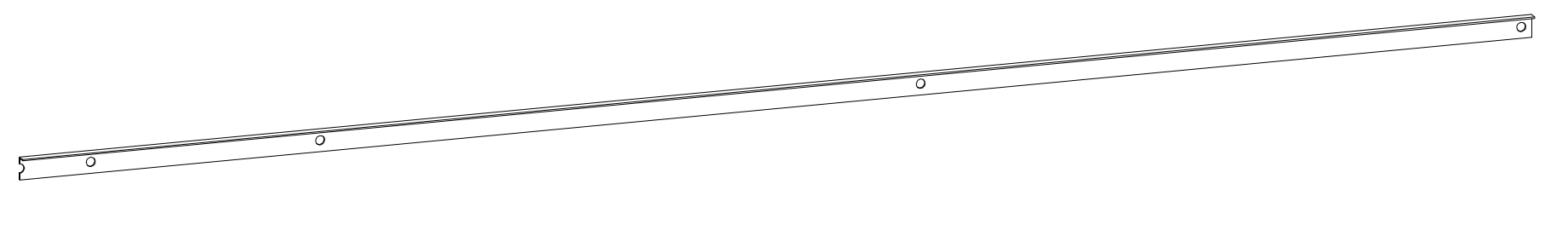
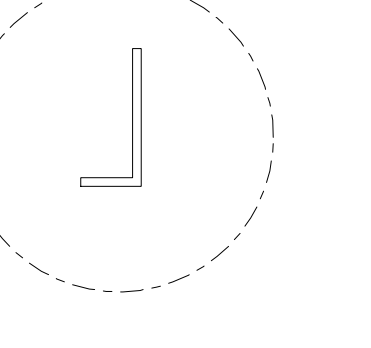
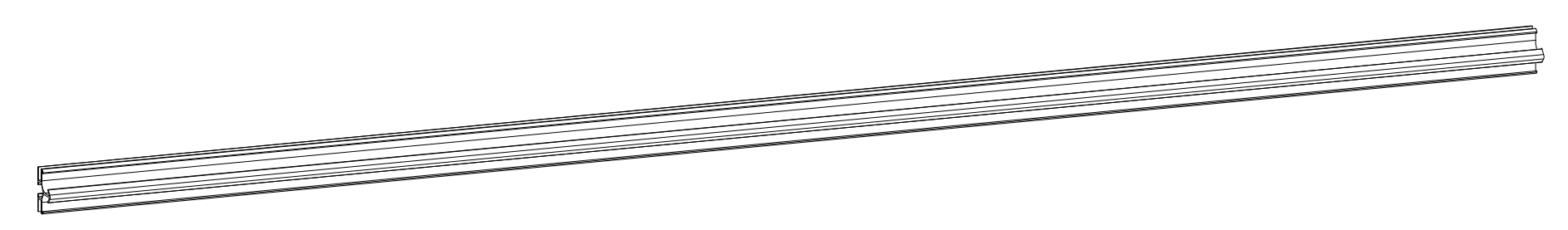
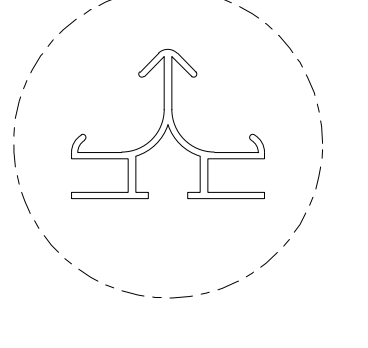
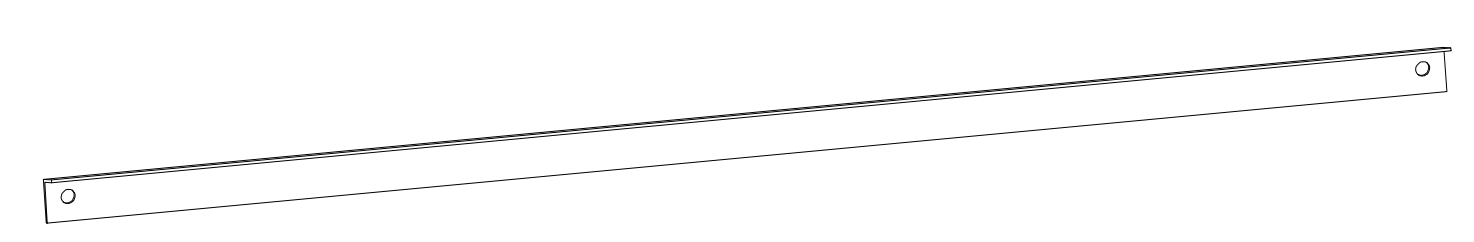
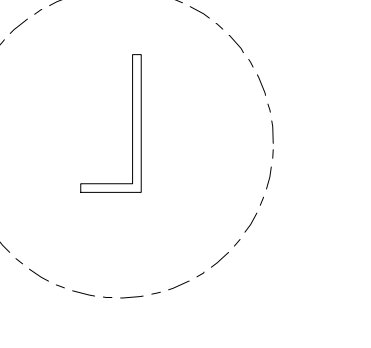
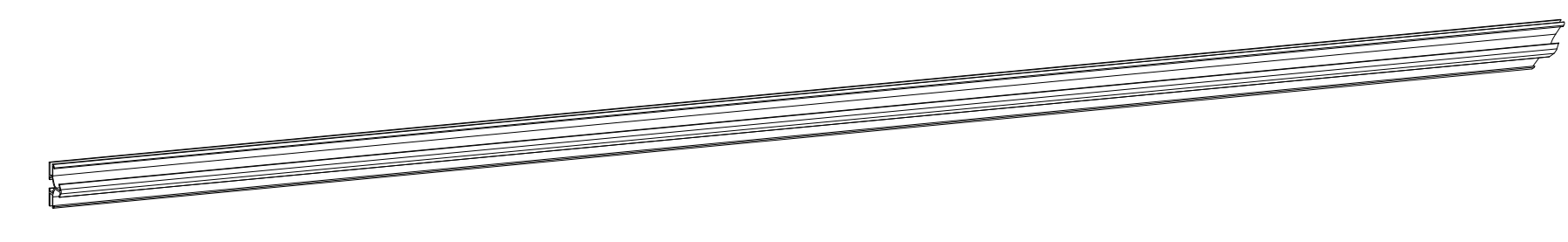
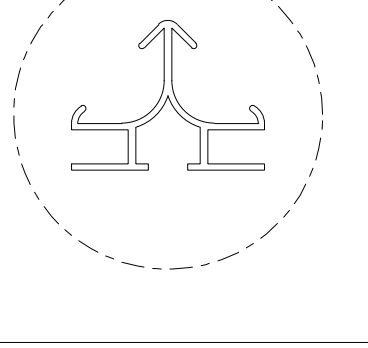
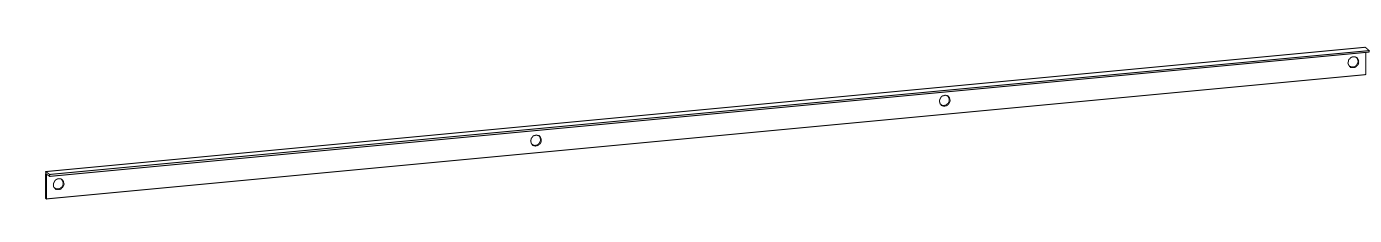
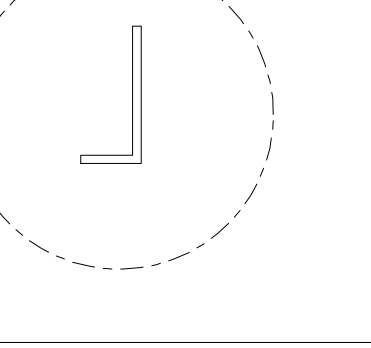
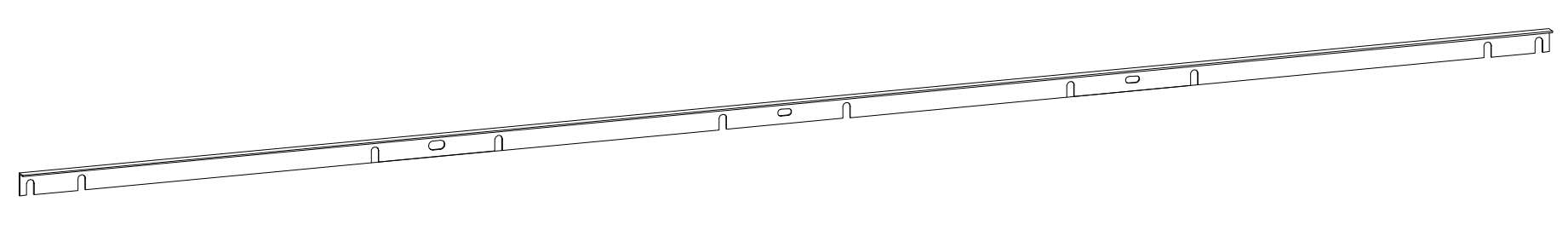
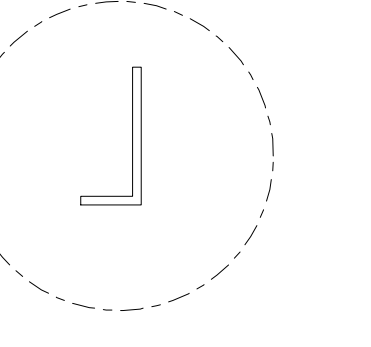
Right

Front

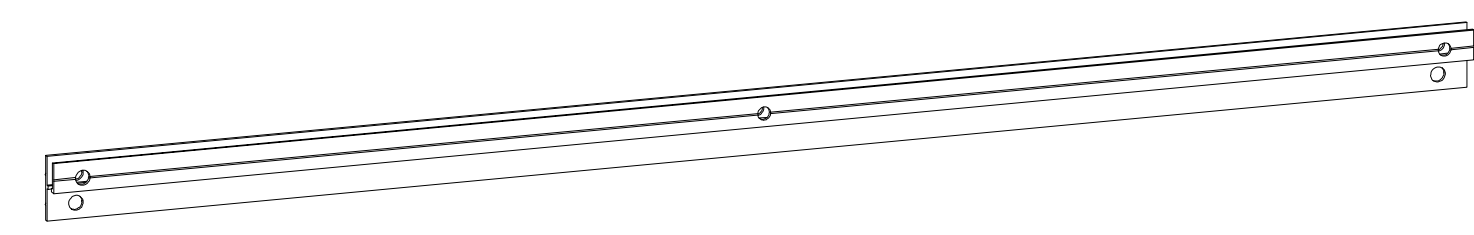
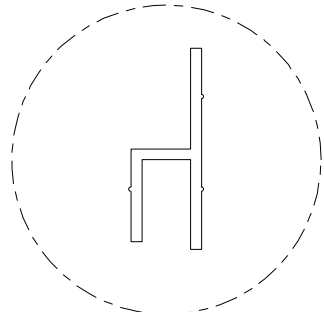
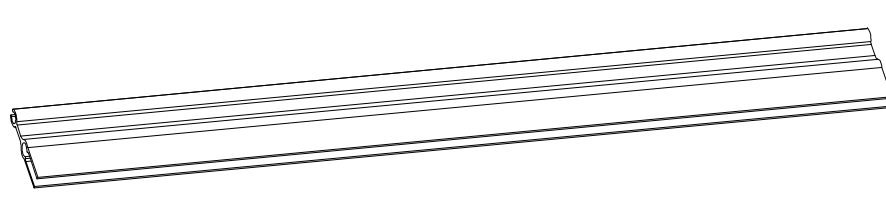
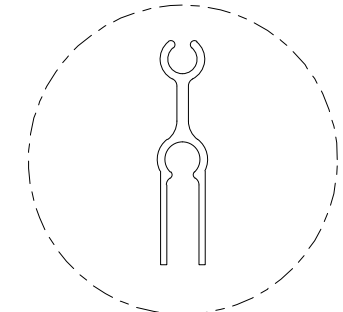
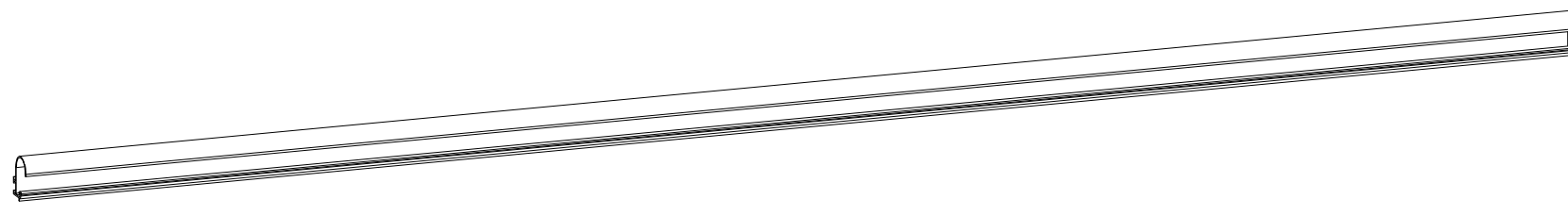
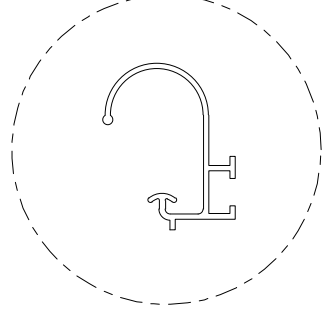
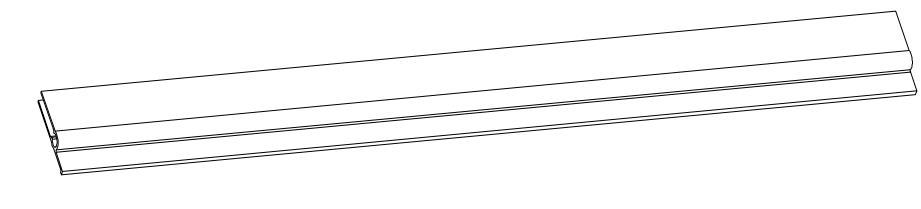
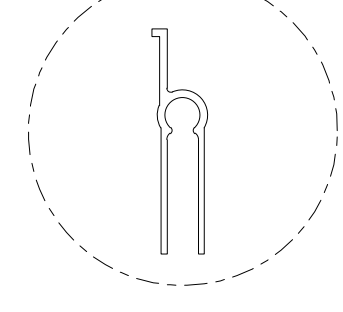
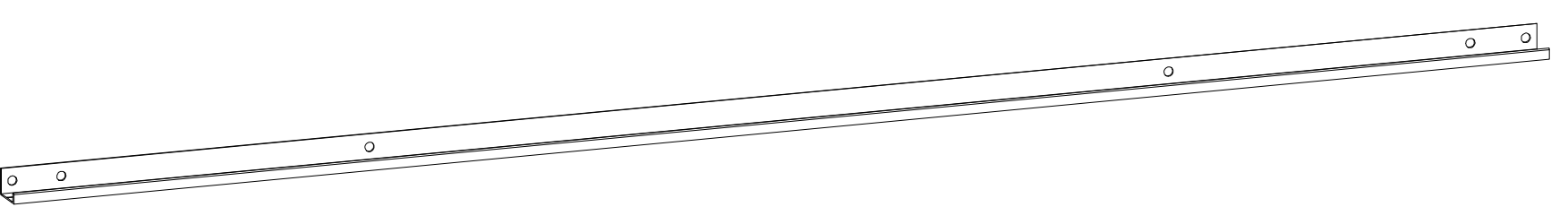
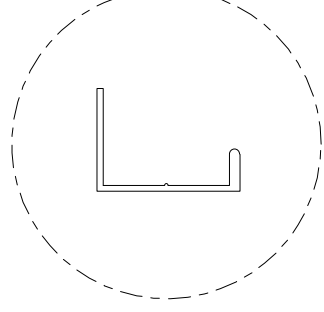
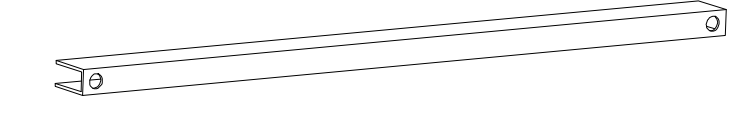
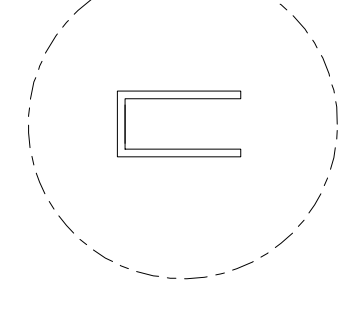
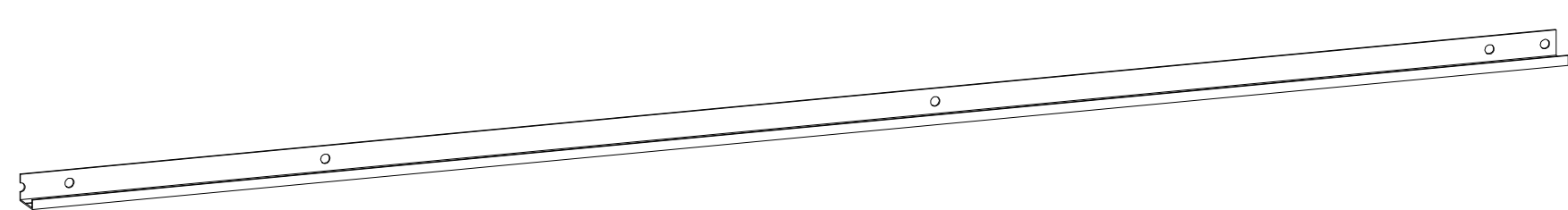
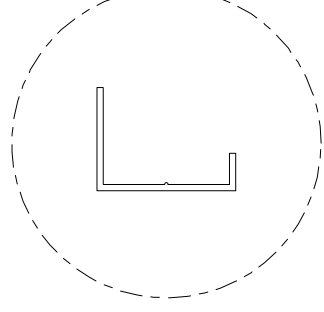
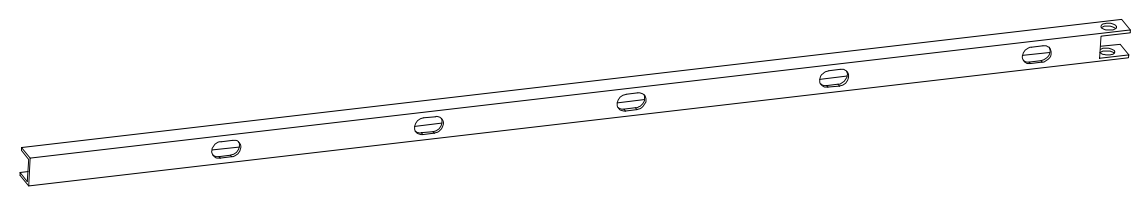
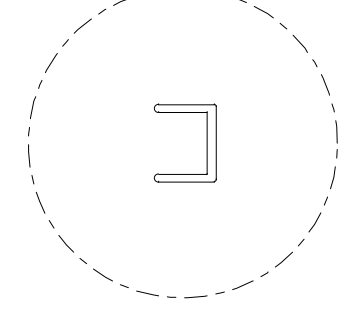
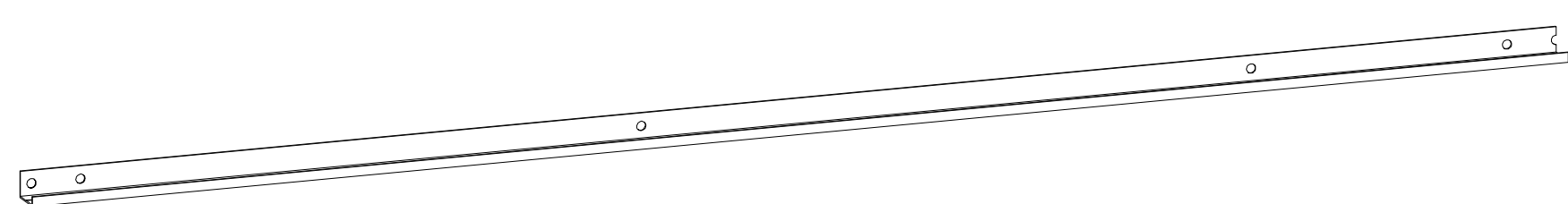
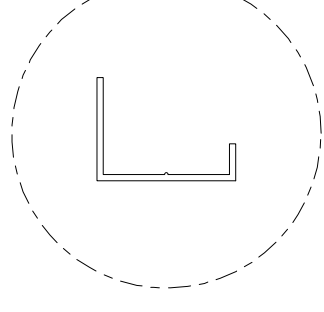
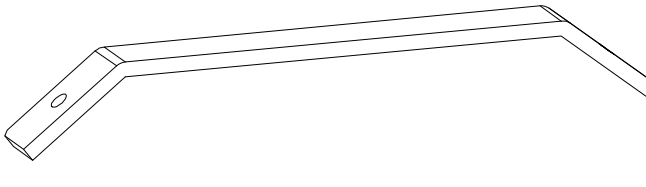
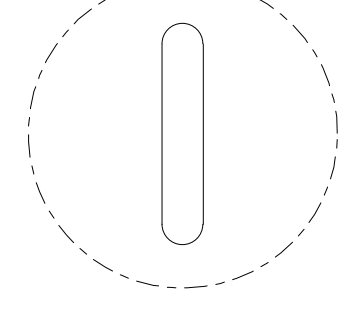
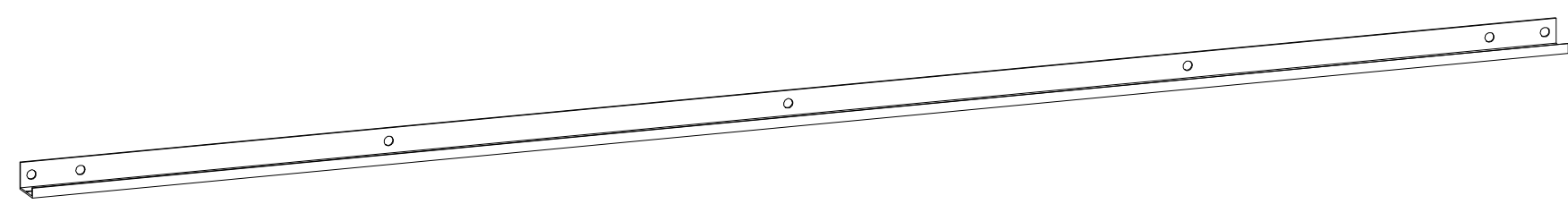
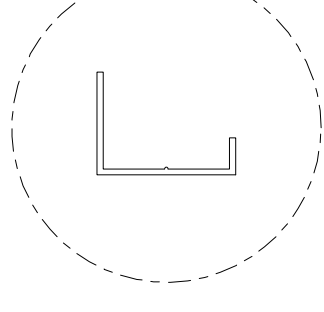
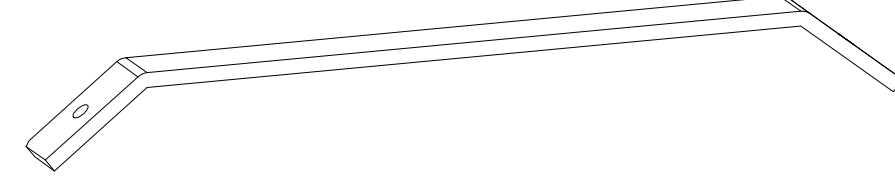
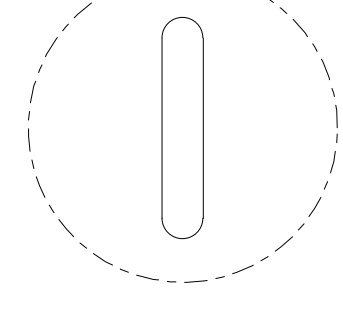
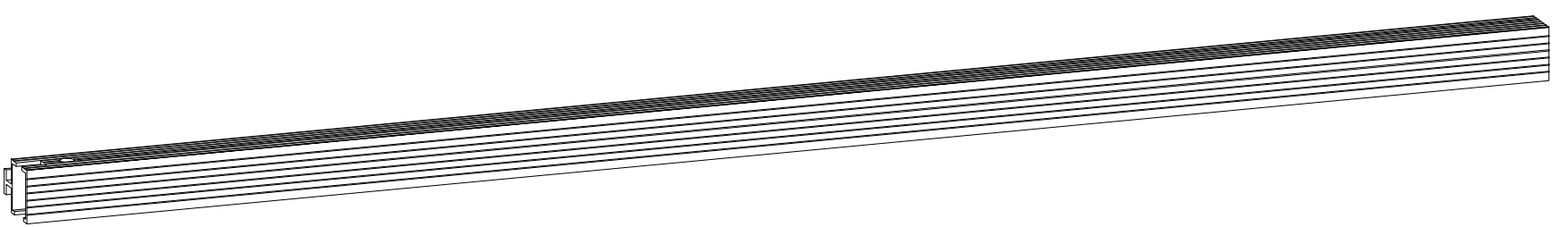
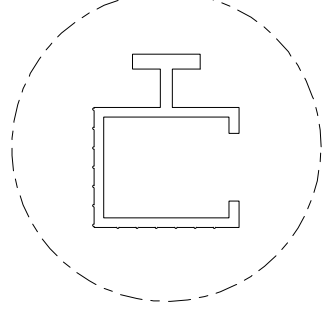
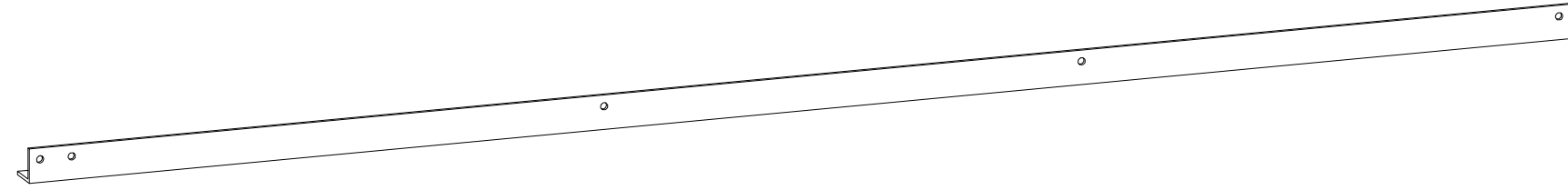
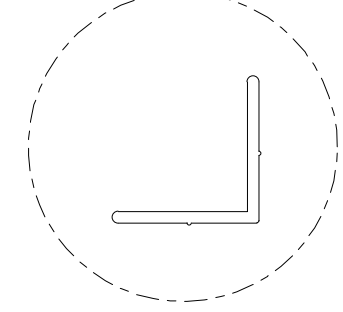
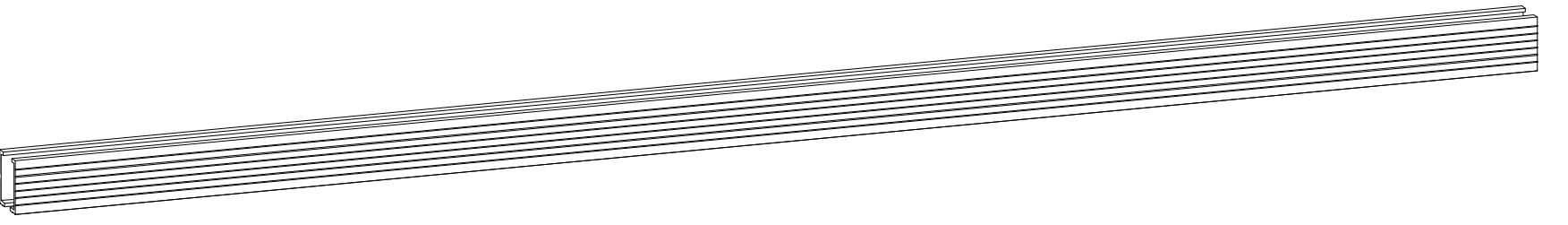
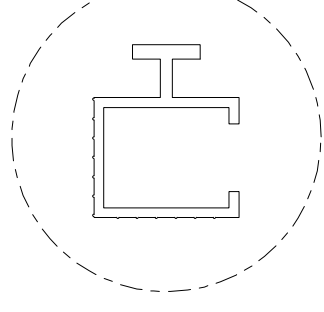
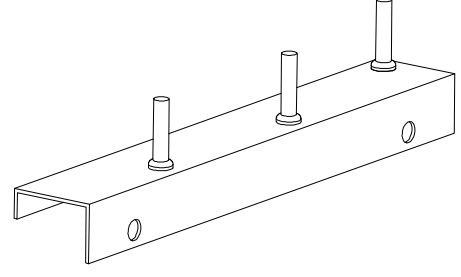
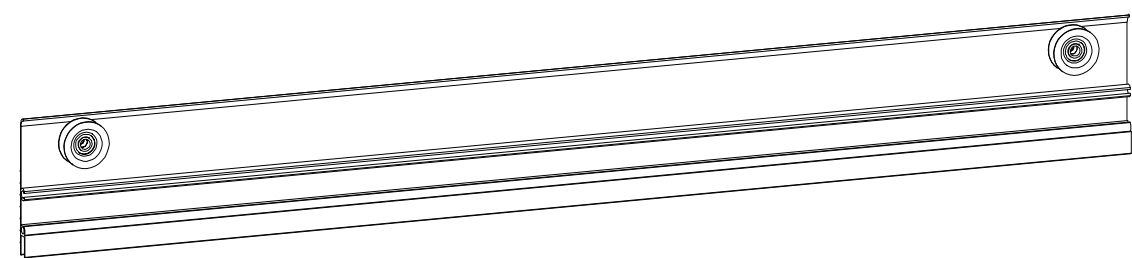
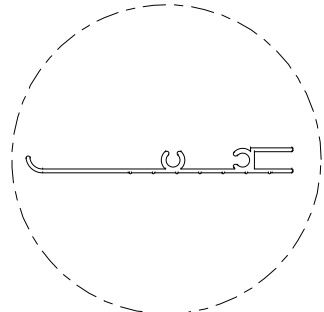
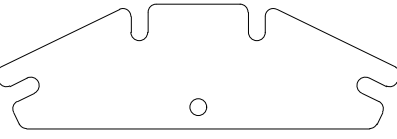
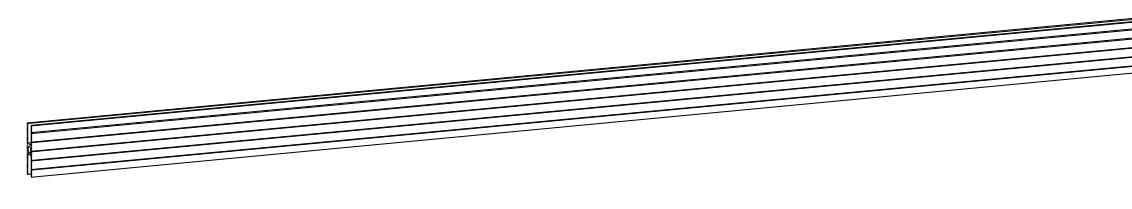
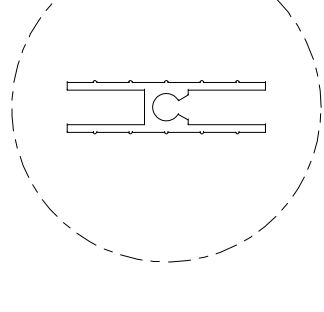
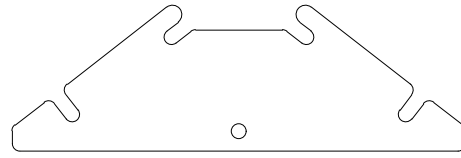
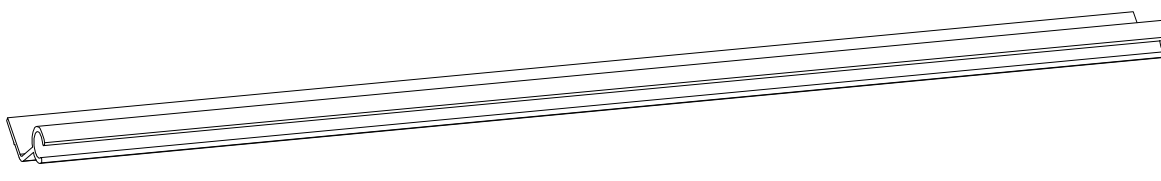
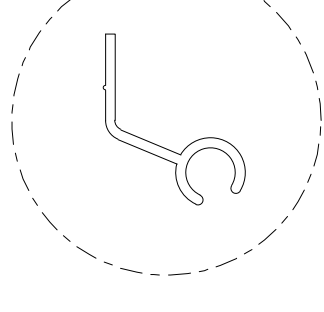
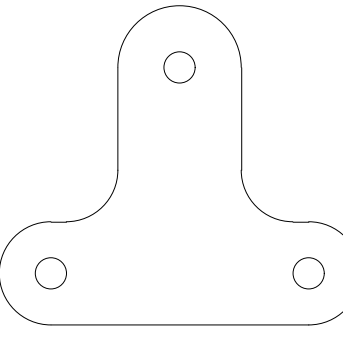
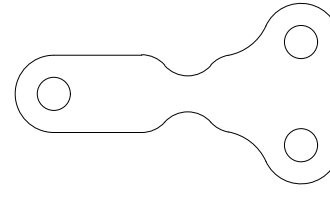


The UV-protected side of the sheet is covered with transparent film and must face towards the sun.

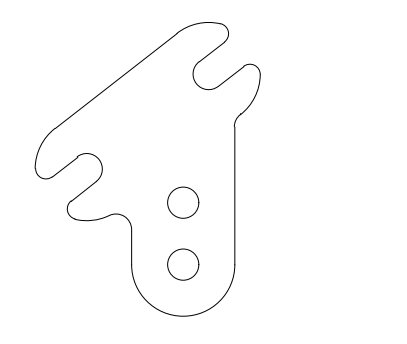
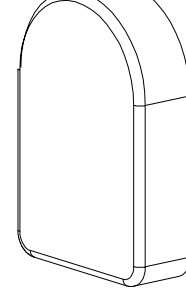
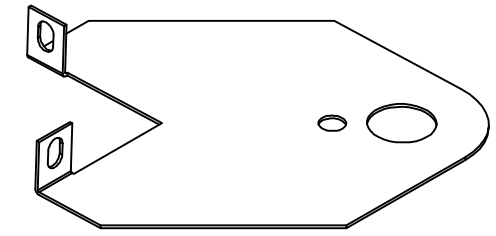
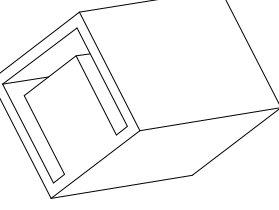
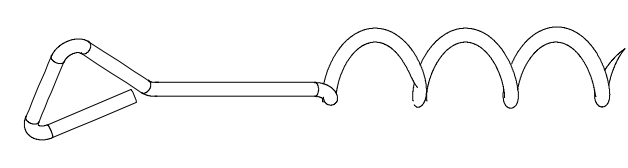
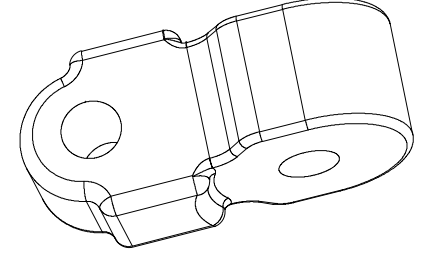
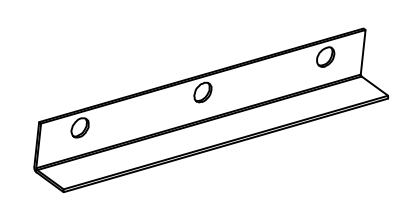
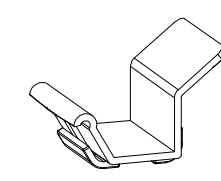
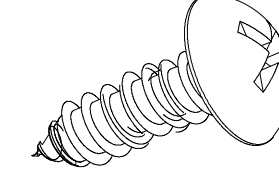
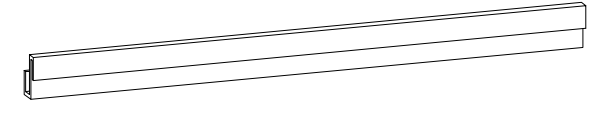
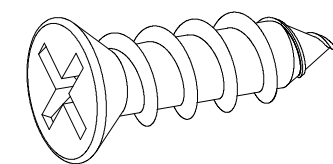
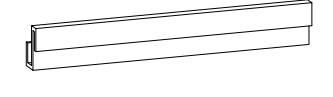
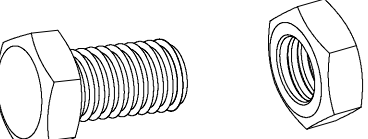
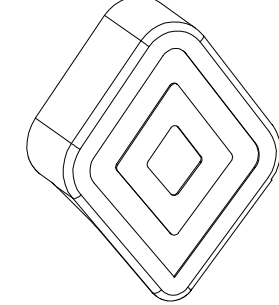
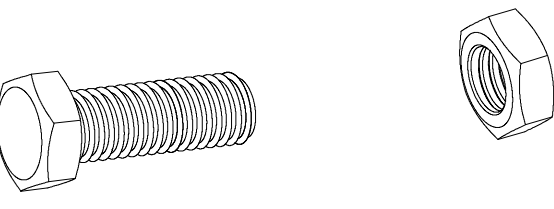
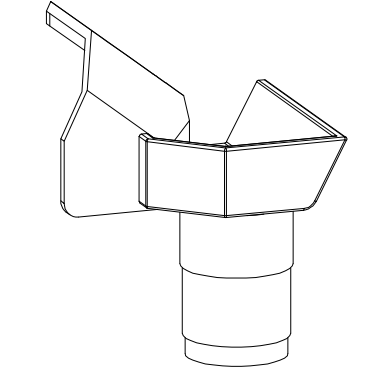
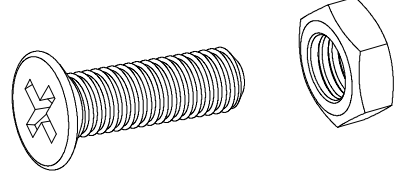
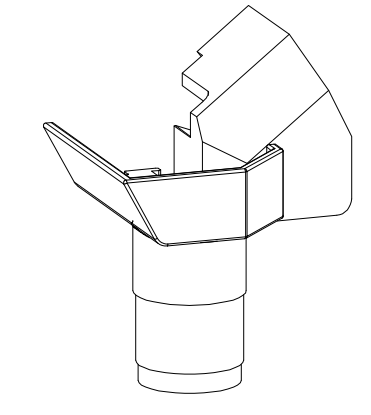
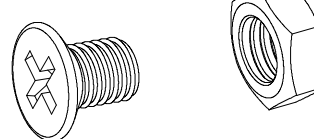
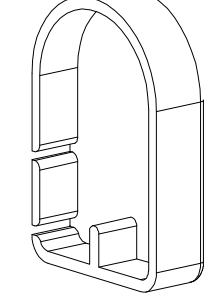
Contents

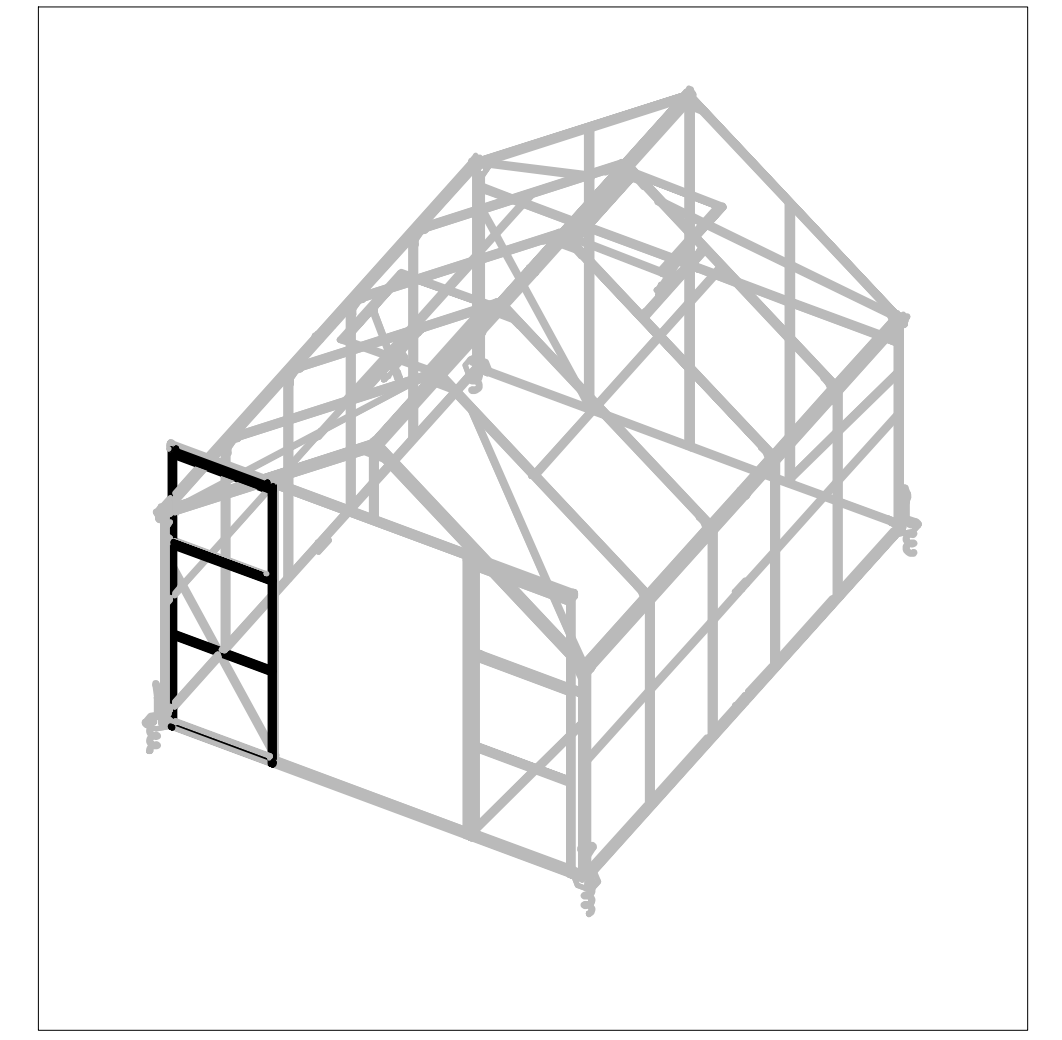
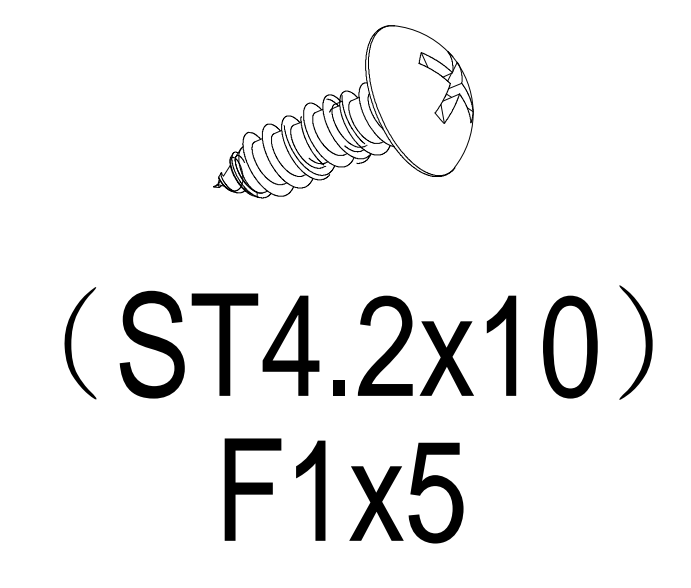
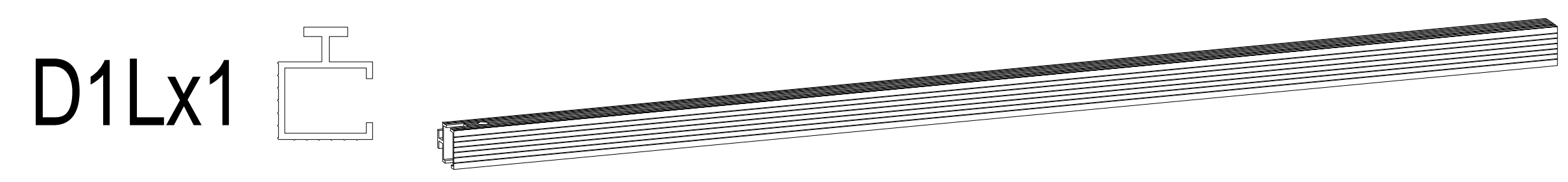
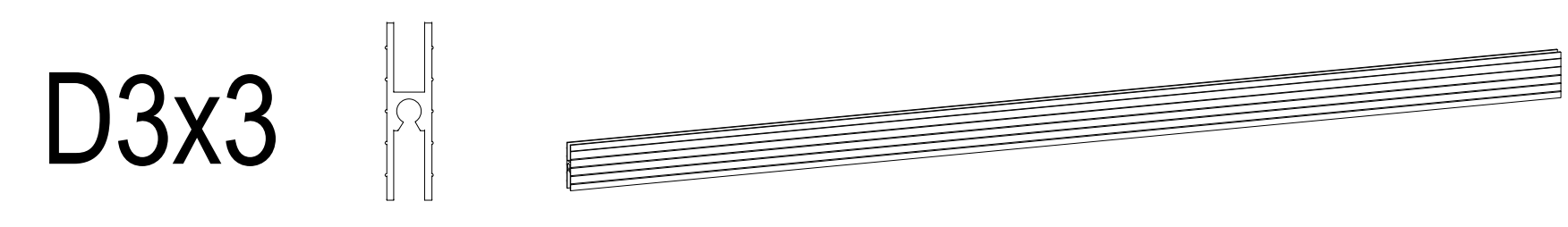
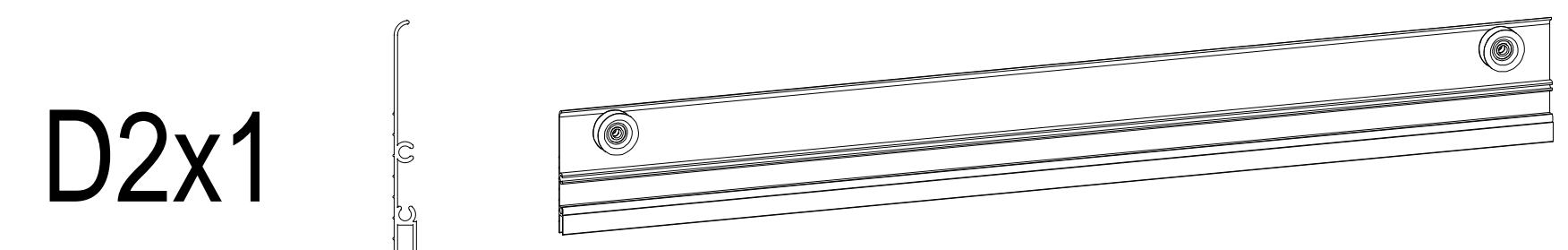
Item		Qty		MM	Item		Qty		MM
1		2 PCS		1526	12R		1 PCS		1786
1-1		1 PCS		500	13		2 PCS		1765
5		4 PCS		1309	14		4 PCS		584
6		4 PCS		1473	15		2 PCS		536
7		4 PCS		1526	16		2 PCS		580
7-1		2 PCS		500	17		1 PCS		439
8		2 PCS		1520	18		4 PCS		1100
9		8 PCS		1309	19L		2 PCS		1526
10		8 PCS		1473	19R		2 PCS		1526
11		1 PCS		2205	20		4 PCS		1400
12L		1 PCS		1786	21		2 PCS		1841
-6-					22		1 PCS		2362

Contents

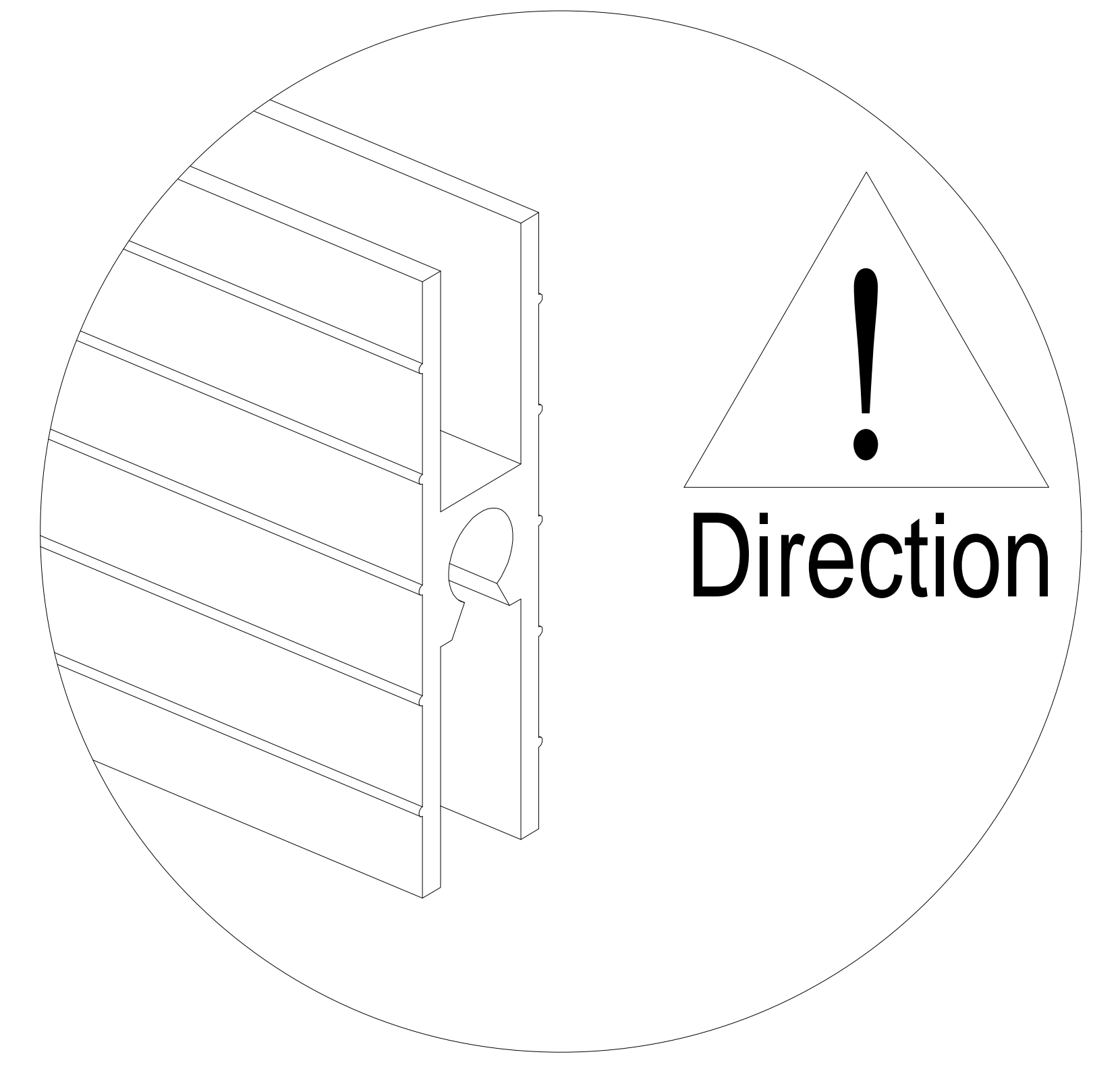
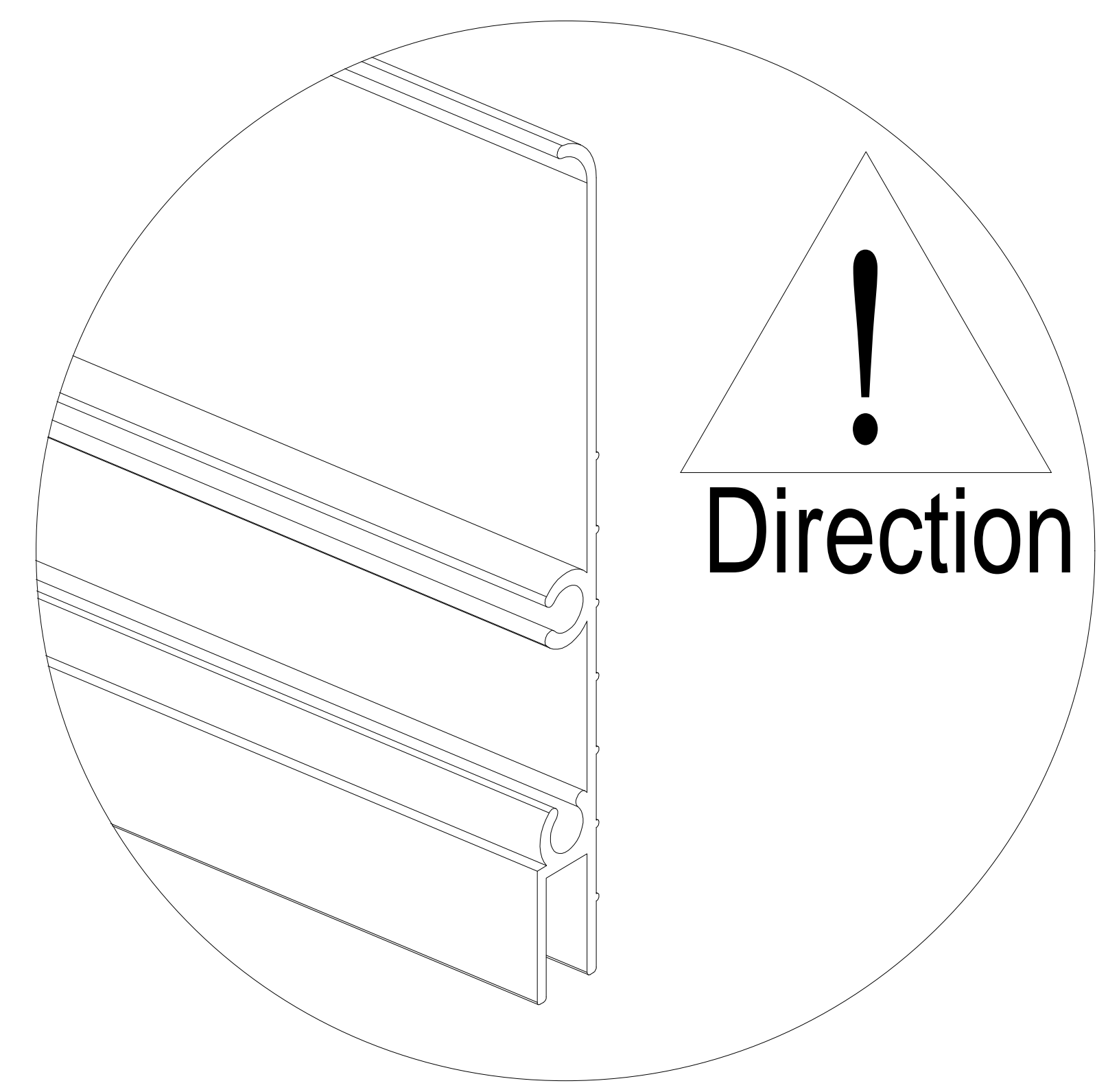
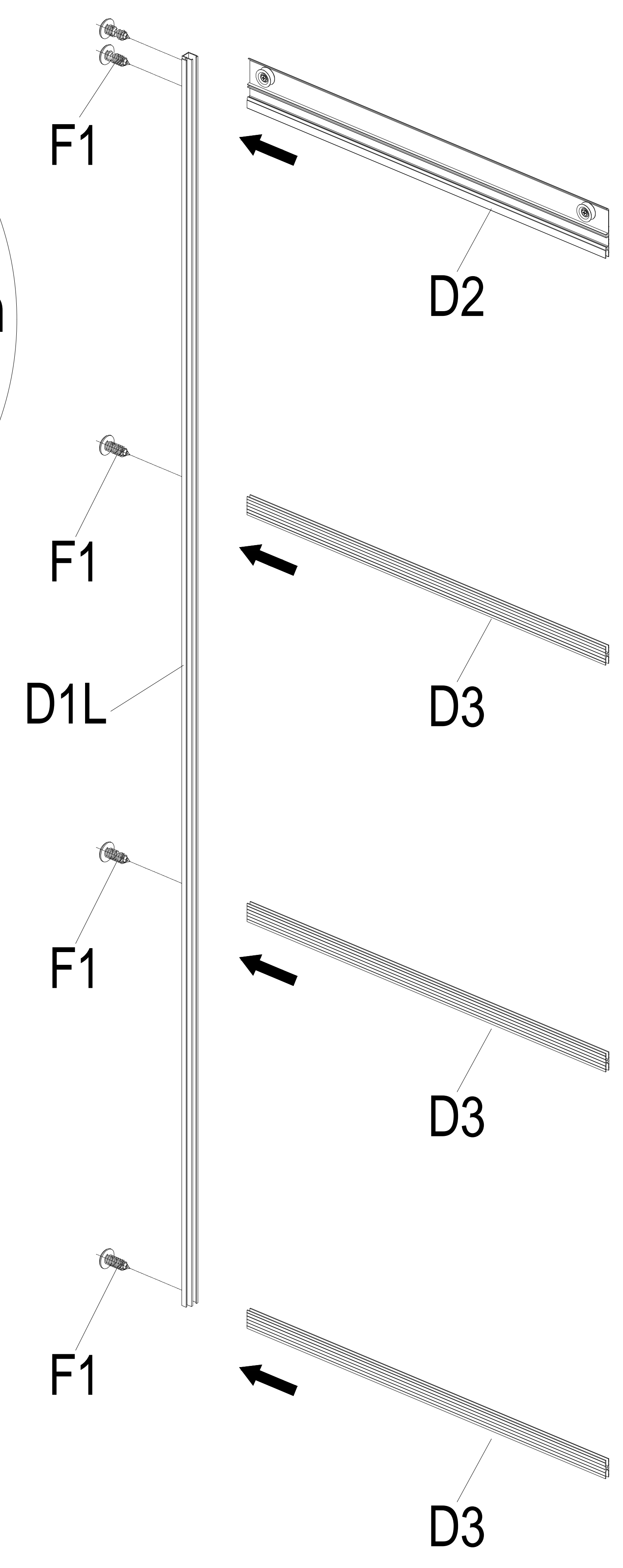
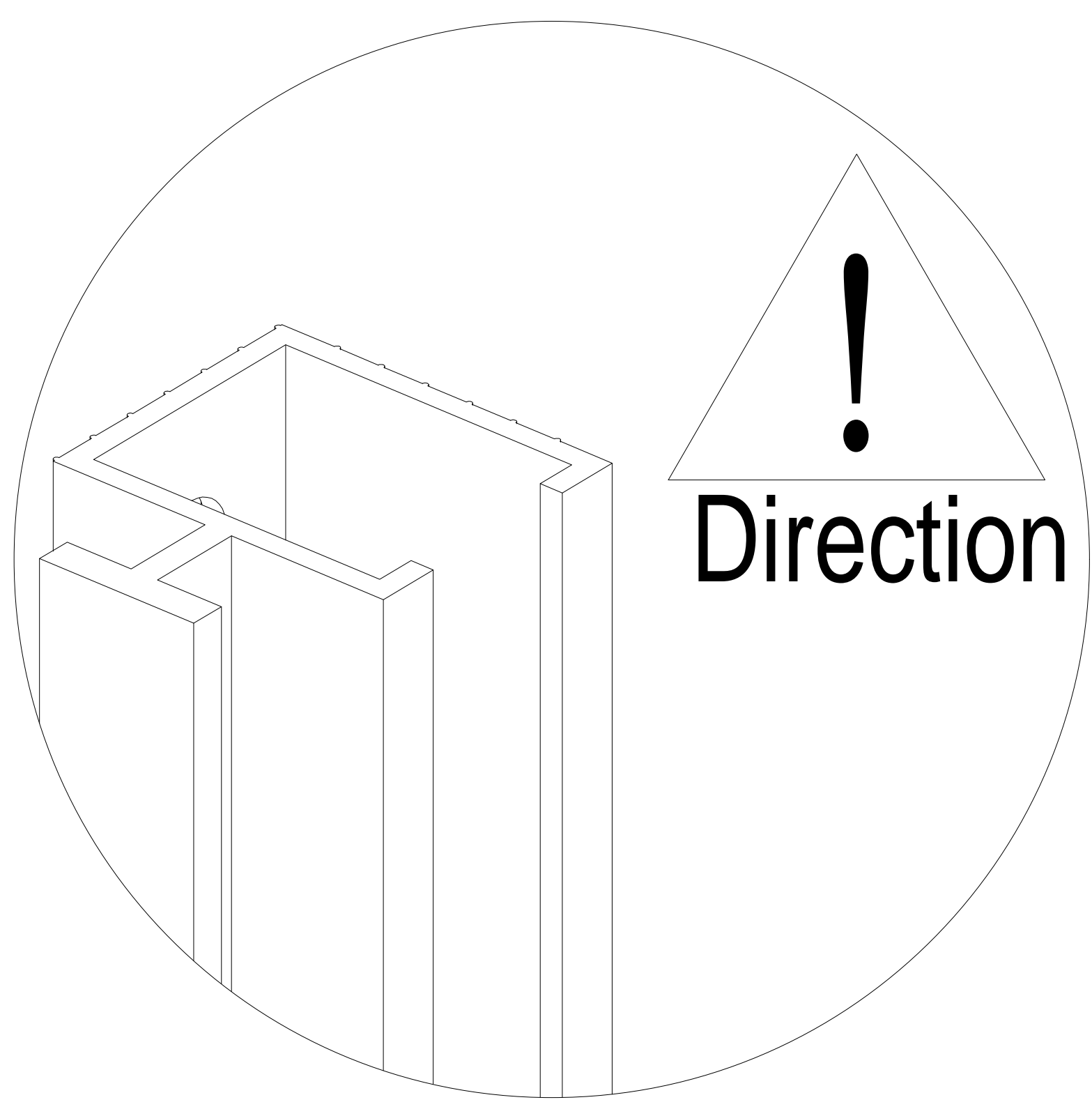
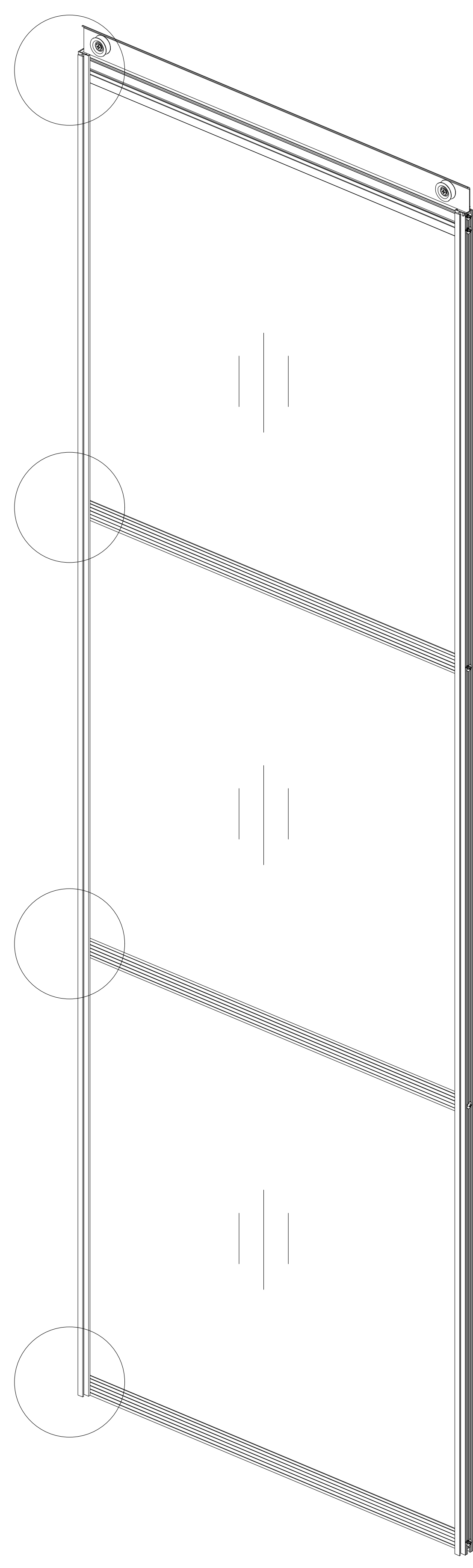
Item		Qty		MM	Item		Qty		MM
23		1 PCS		1149	W1		2 PCS		588
24		1 PCS		2260	W2		2 PCS		588
25		1 PCS		2362	W3		4 PCS		500
26L		2 PCS		1526	W4		2 PCS		380
26R		2 PCS		1526	T1		8 PCS		180
27		1 PCS		2360	T2		4 PCS		240
D1L		2 PCS		1760	29		1 PCS		1749
D1R		2 PCS		1760	B7		2 PCS		
D2		2 PCS		571	B2		4 PCS		
D3		6 PCS		571	B3		2 PCS		
28		2 PCS		581	B4		8 PCS		
					B5		4 PCS		

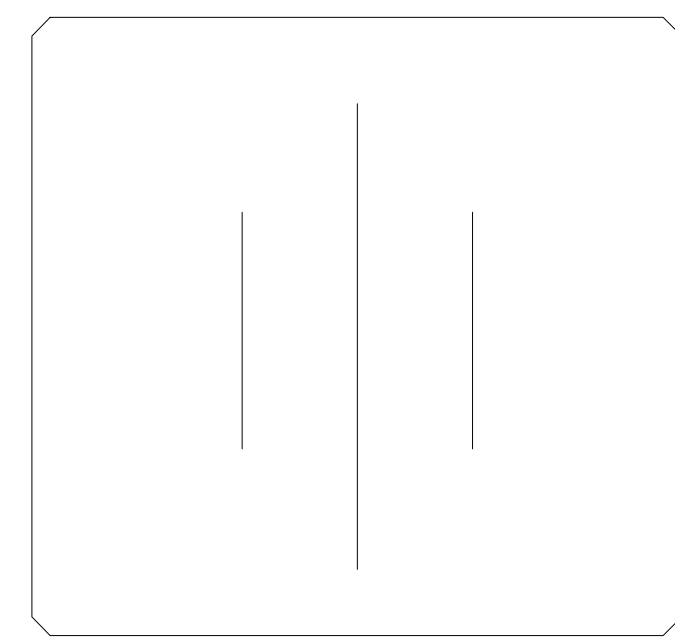
Contents

Item		Qty	MM	Item		Qty	MM
B6		4 PCS		S7R		1 PCS	
B8		4 PCS		S8		2 PCS	
B14		4 PCS		S9		2 PCS	
B15		4 PCS					
S1		2 PCS		F1		20 PCS	ST4.2x10
S3		14 PCS	530	F2		8 PCS	ST4.8x16
S3-1		4 PCS	225	F4		210PCS	M5x10
S5		2 PCS		F6		3 PCS	M5x20
S6L		2 PCS		F7		4 PCS	M4x20
S6R		2 PCS		F8		50 PCS	M5x10
S7L		1 PCS					

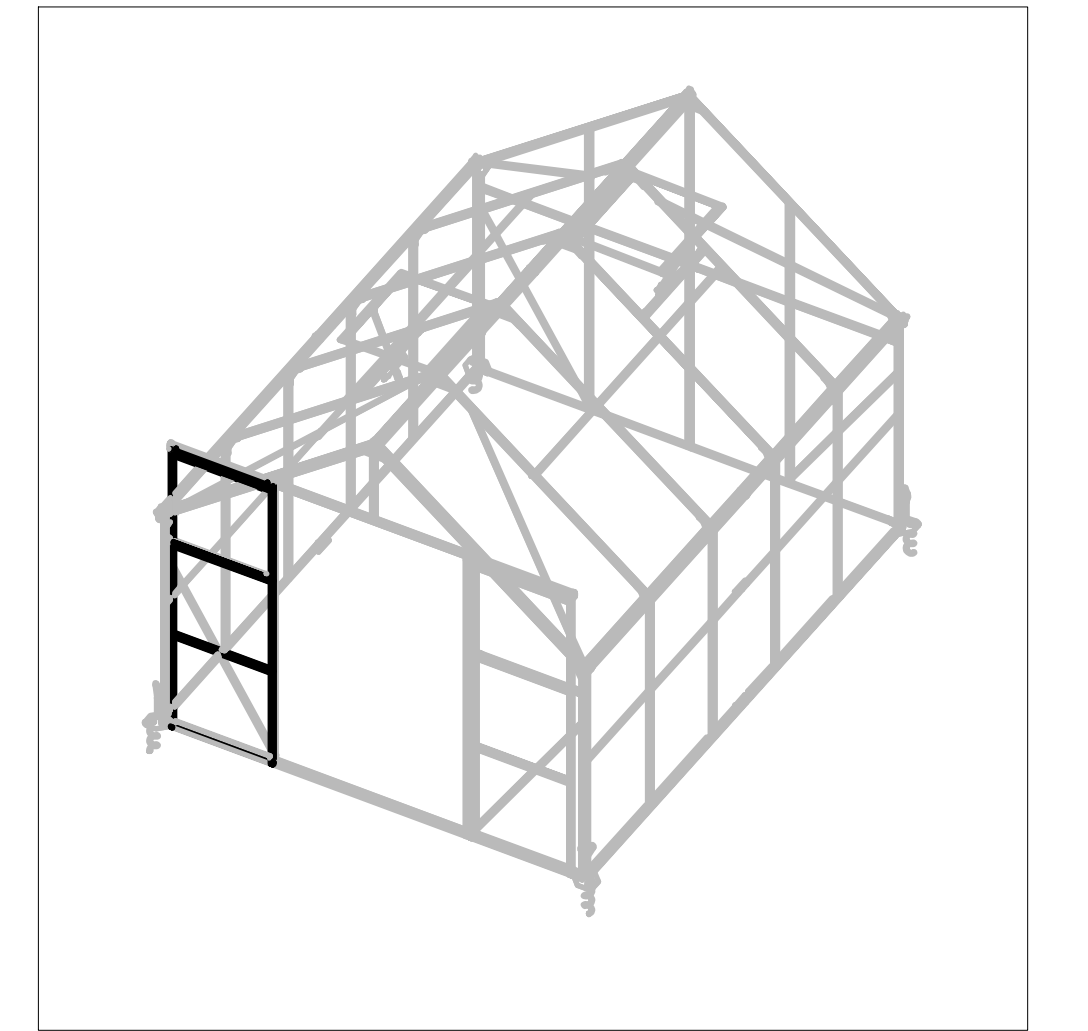


DOOR-Right

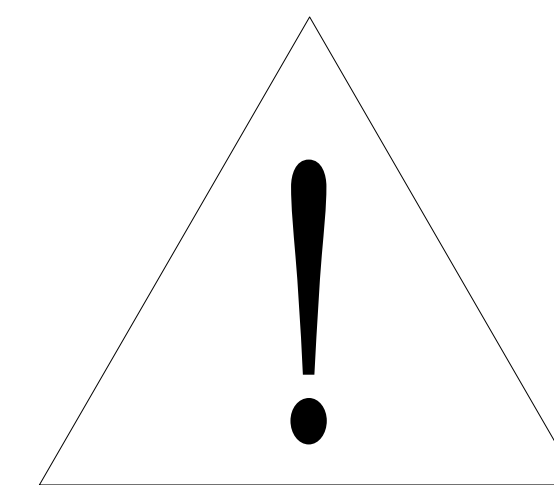
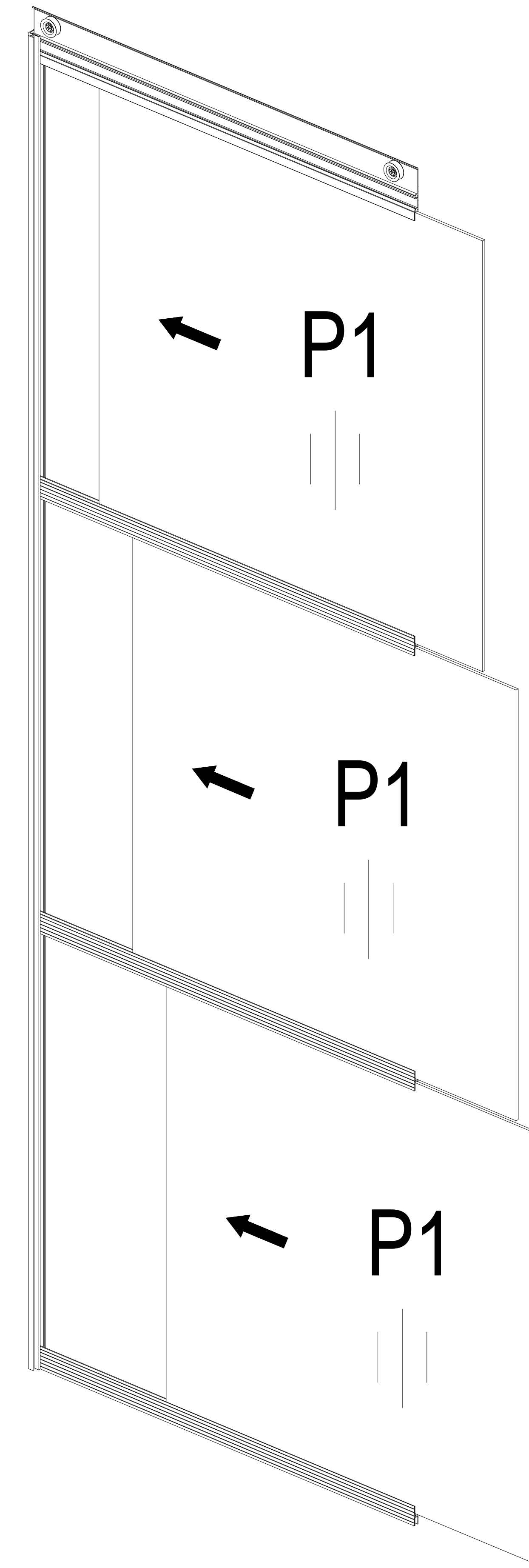
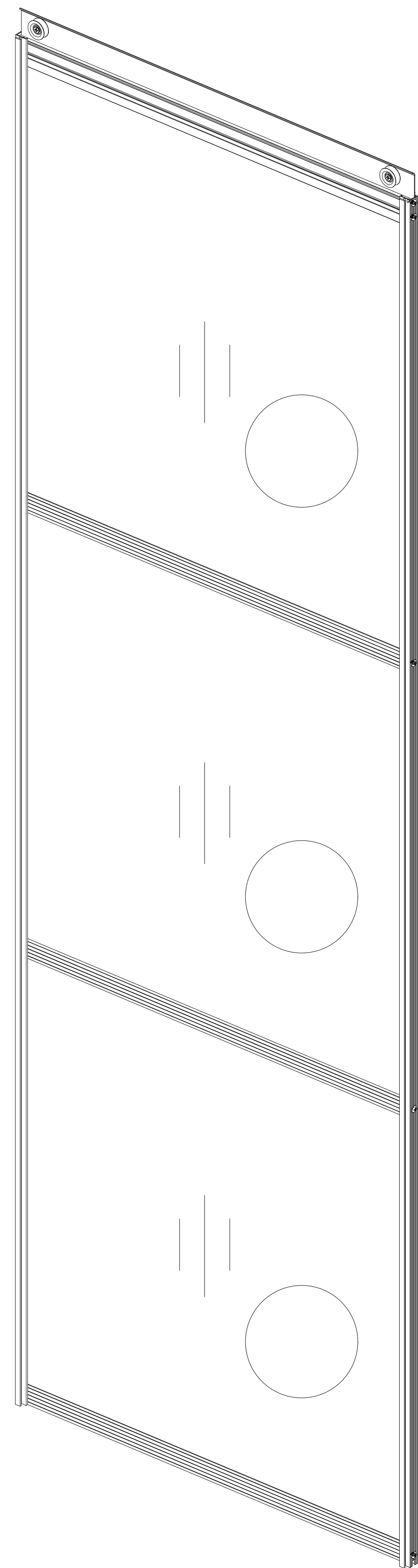




P1x3

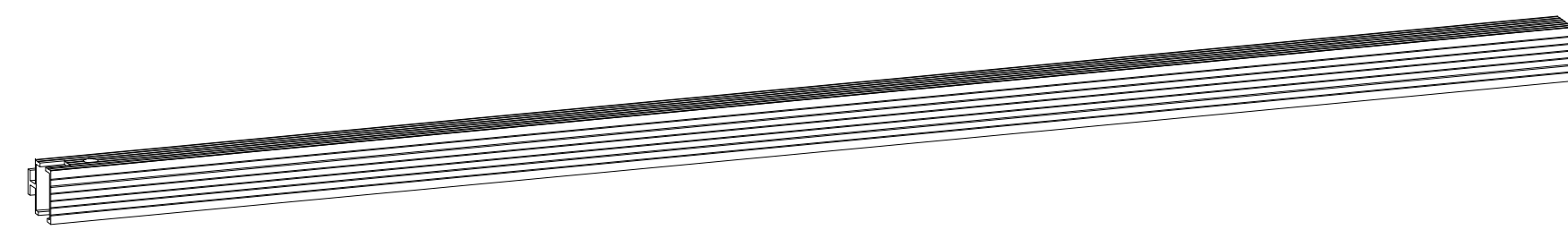


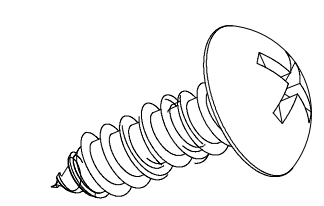
DOOR-Right

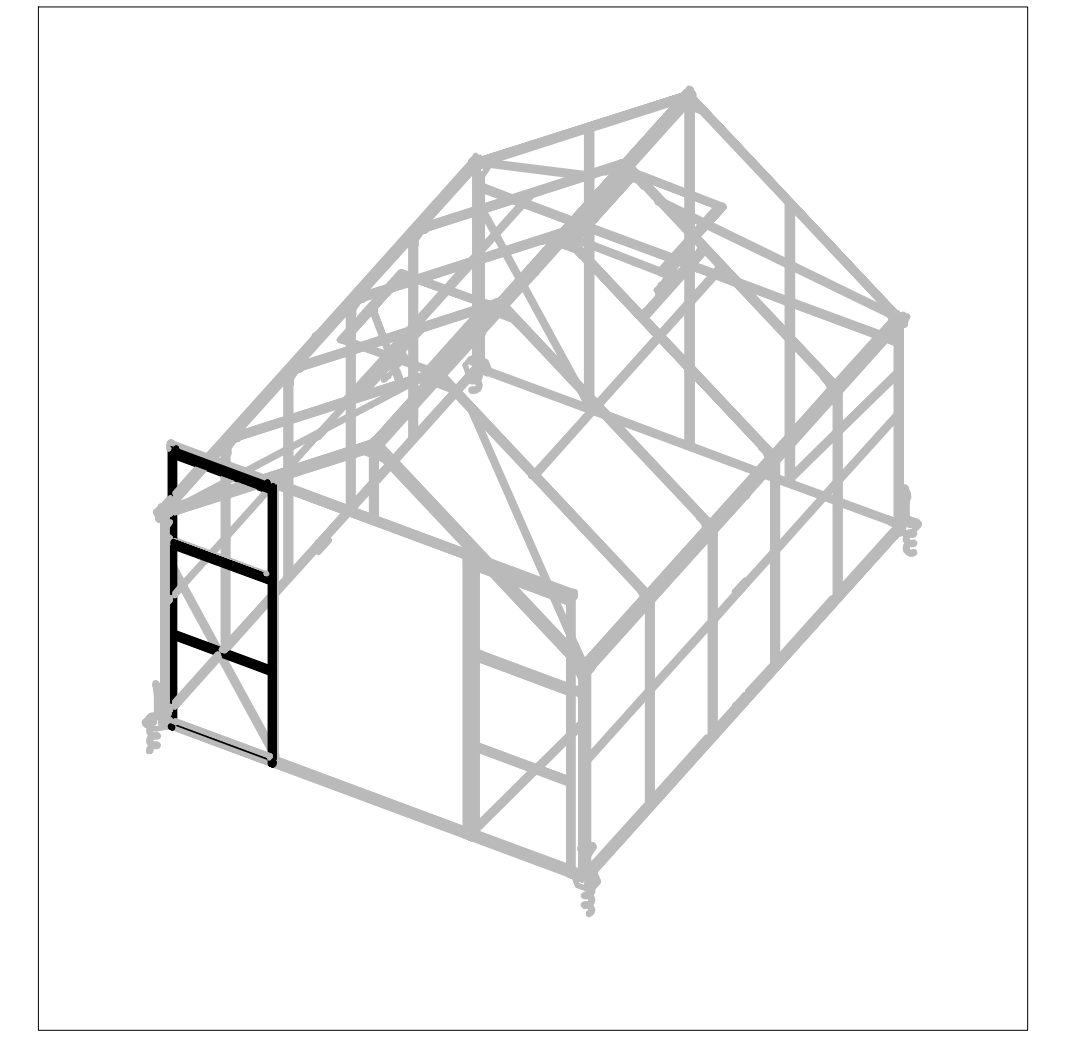


Note toward the UV surface to the Sun.

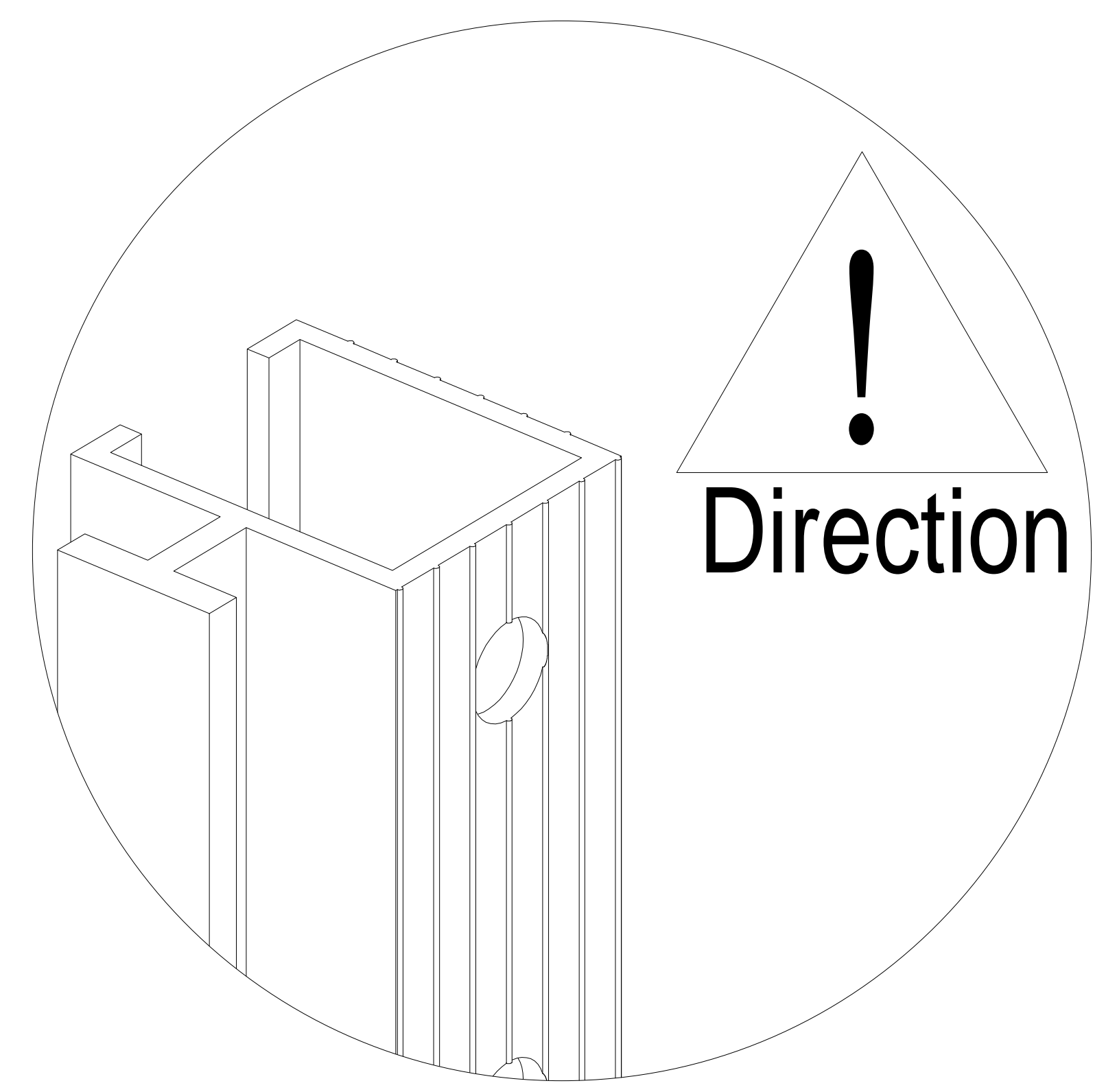
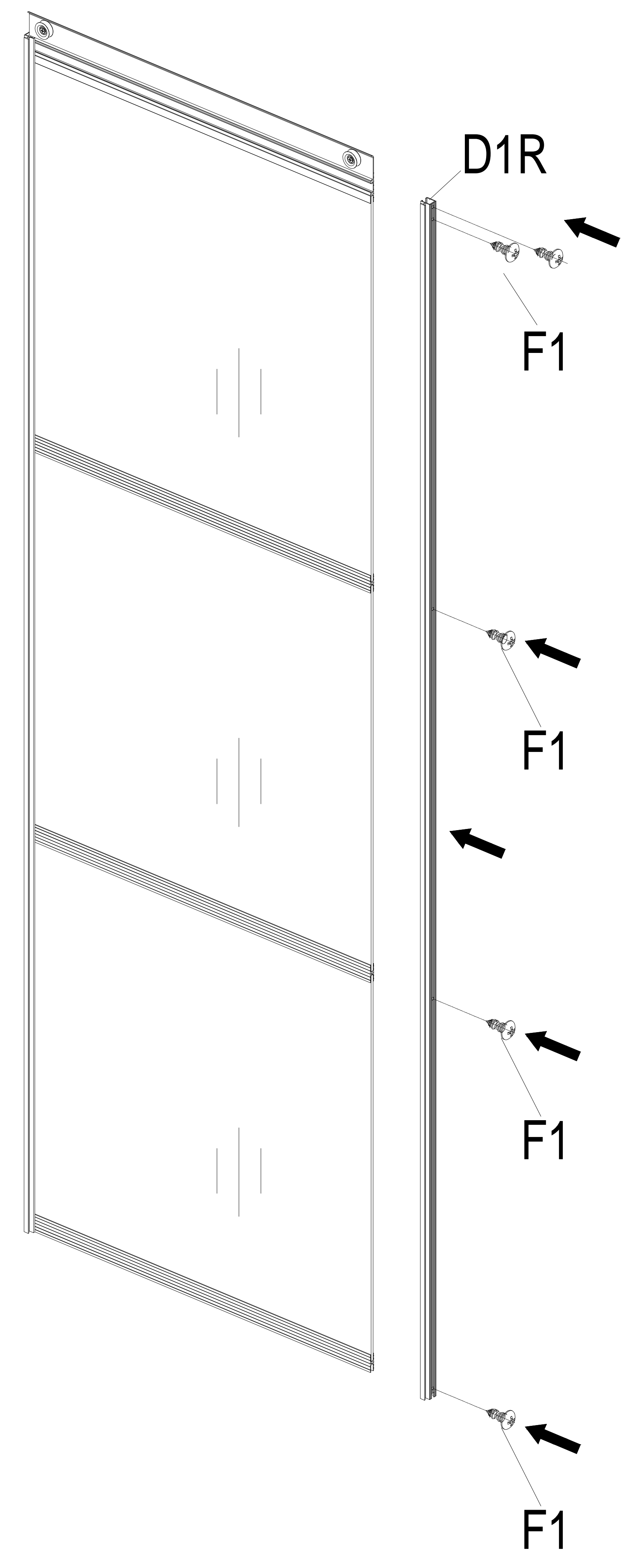
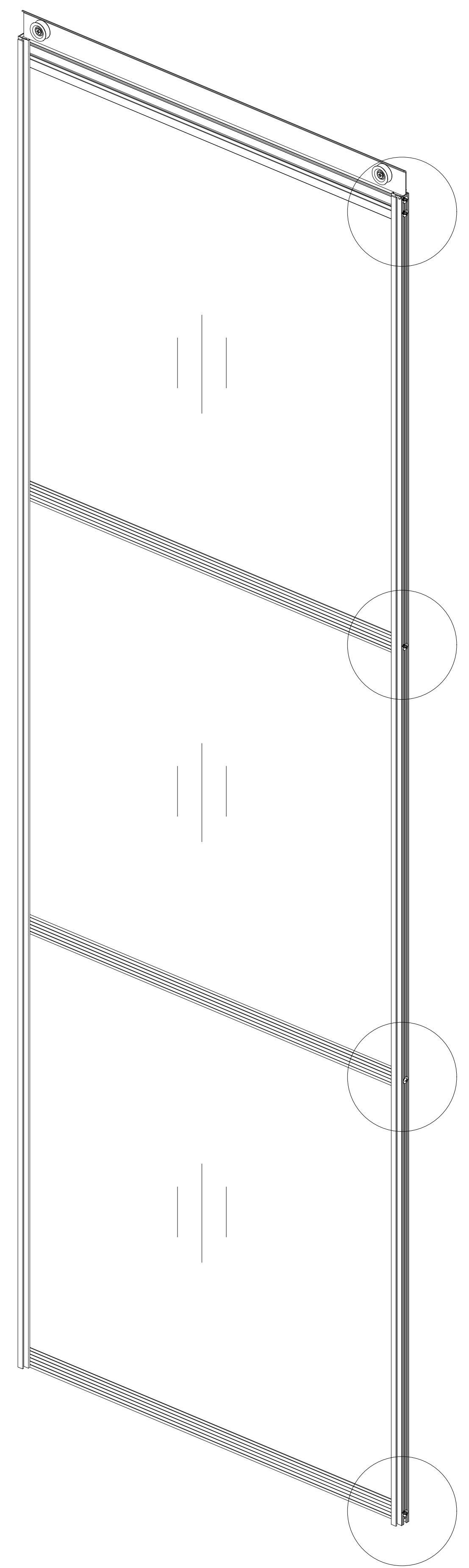
D1Rx1 

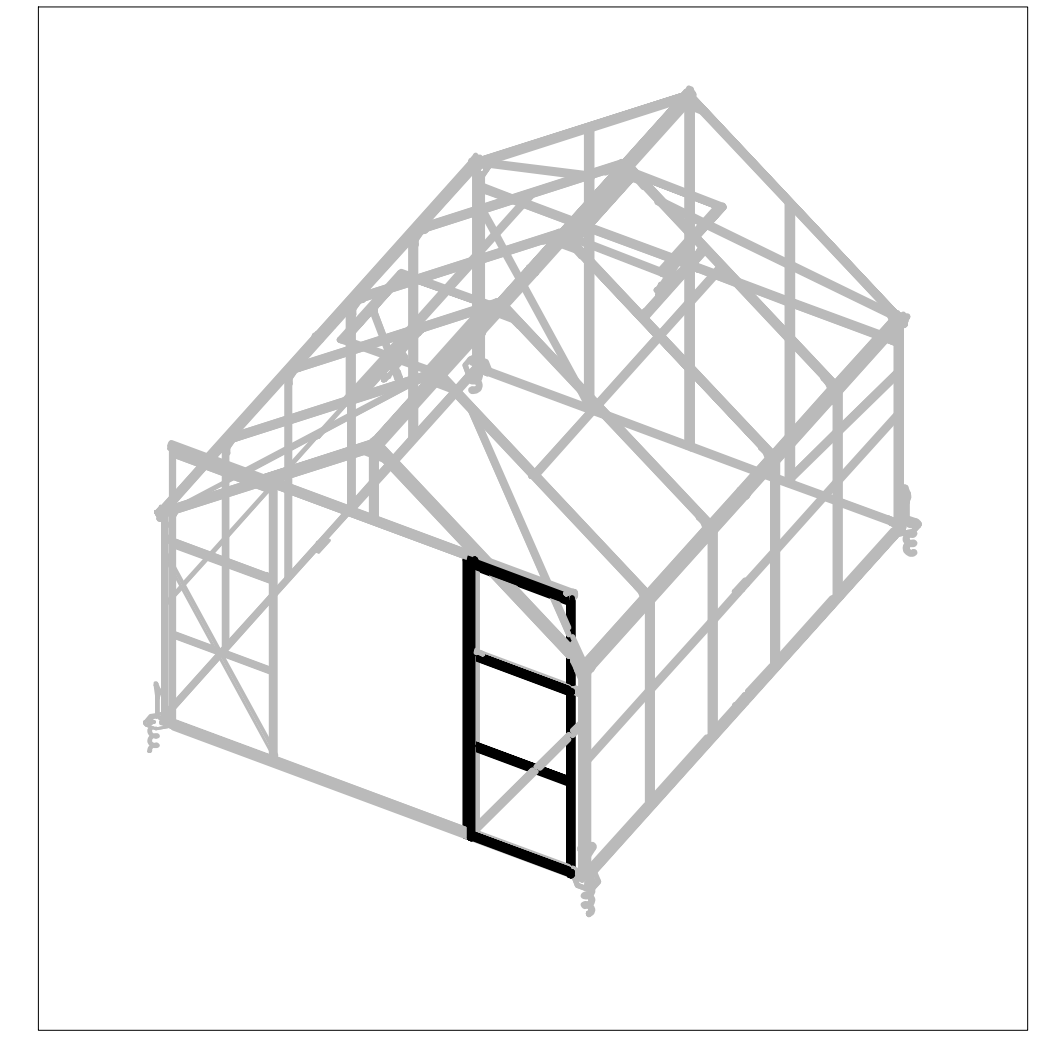
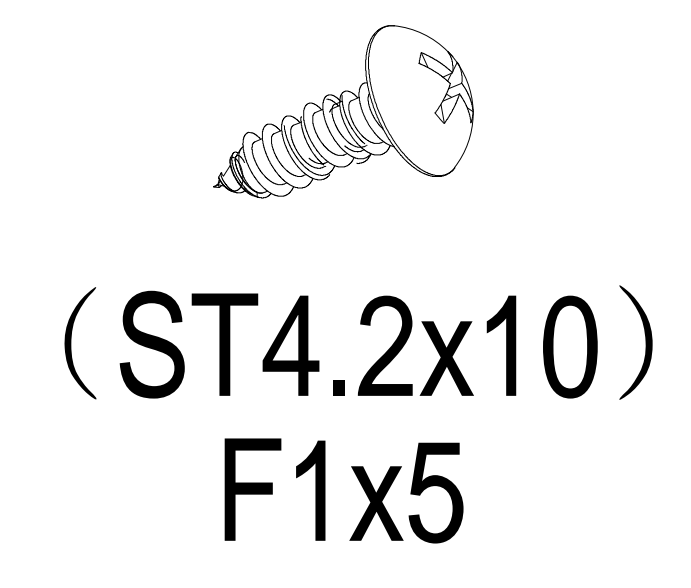
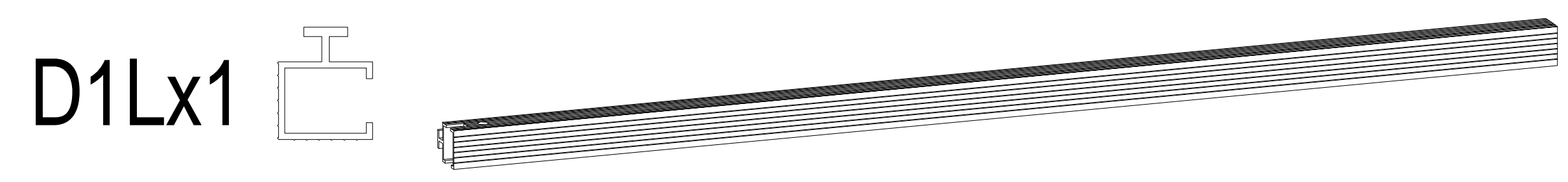
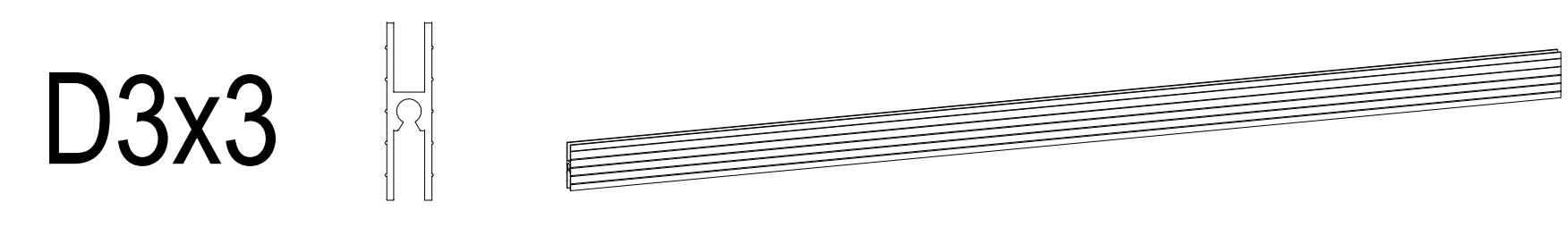
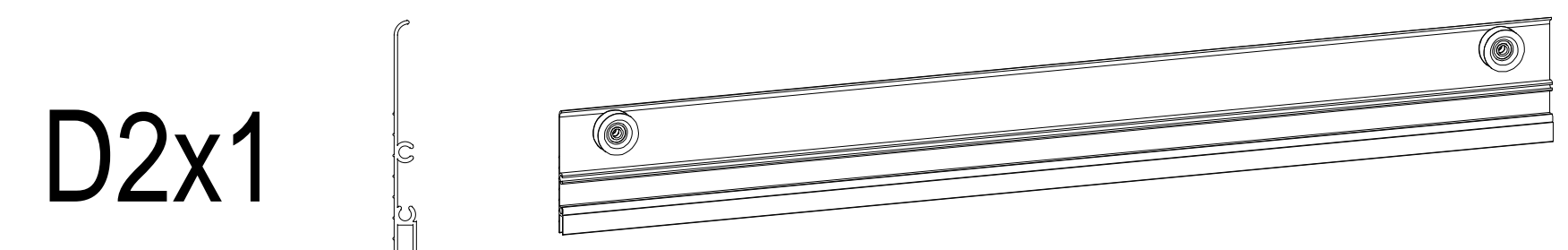



(ST4.2x10)
F1x5

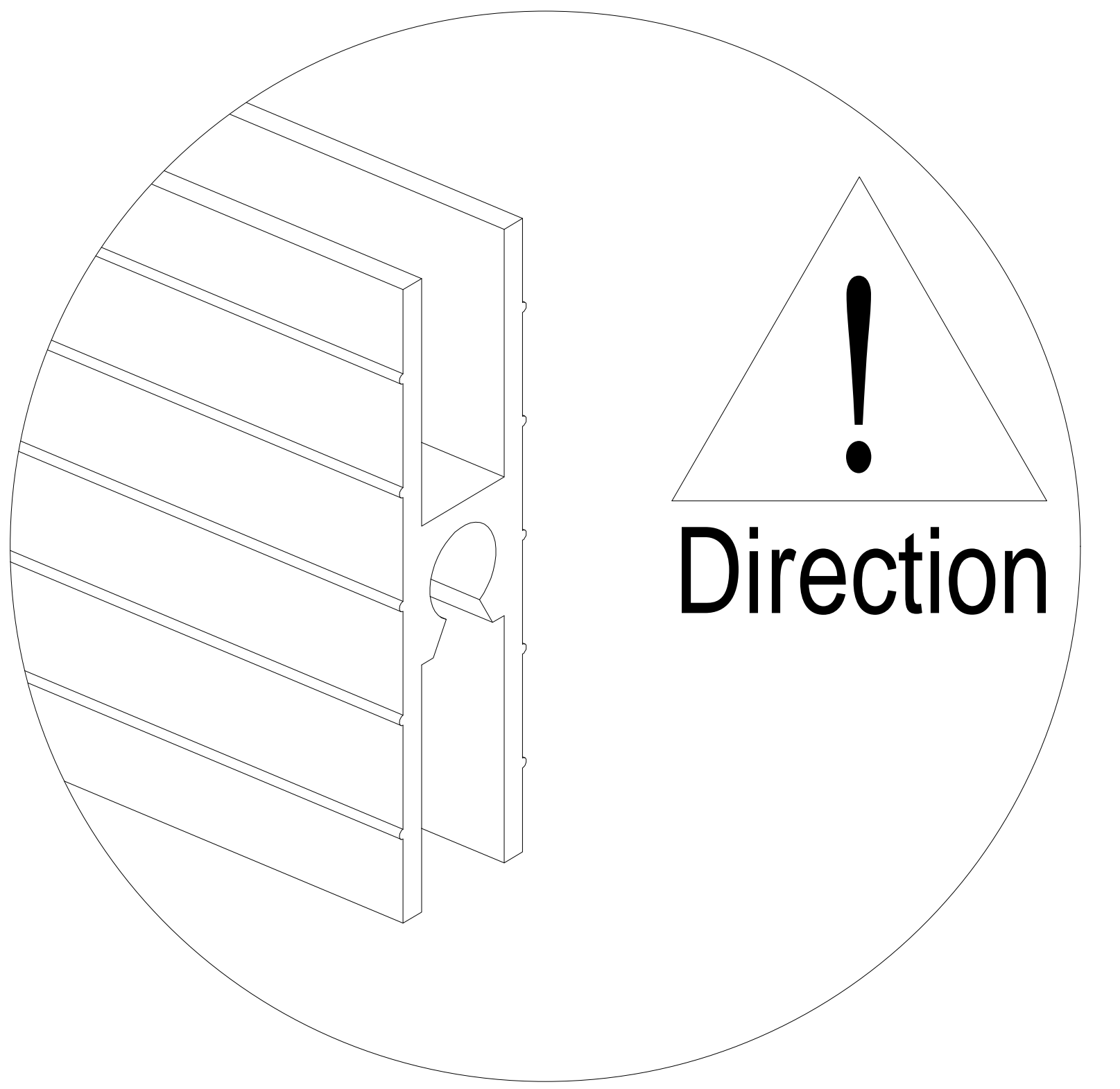
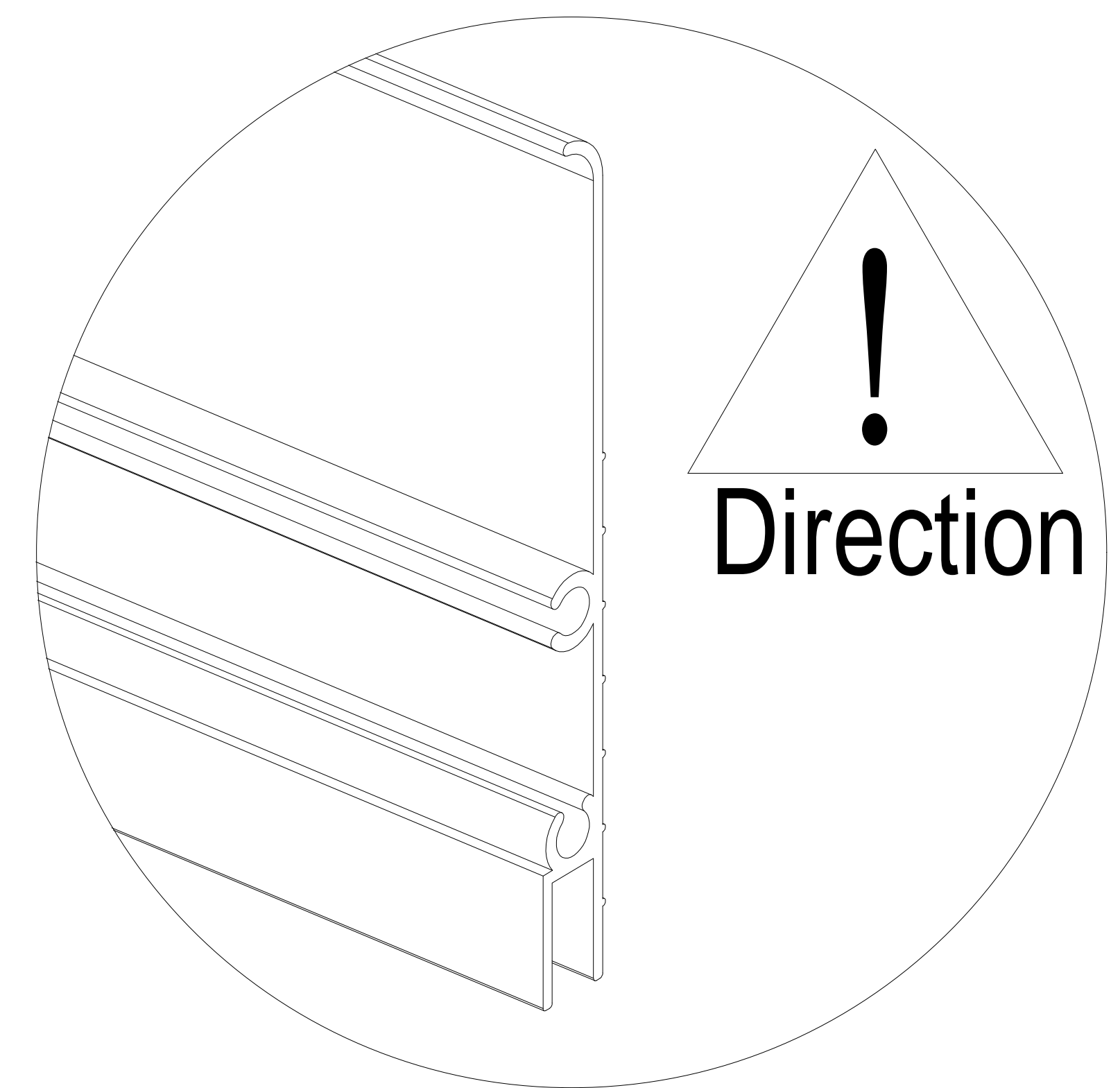
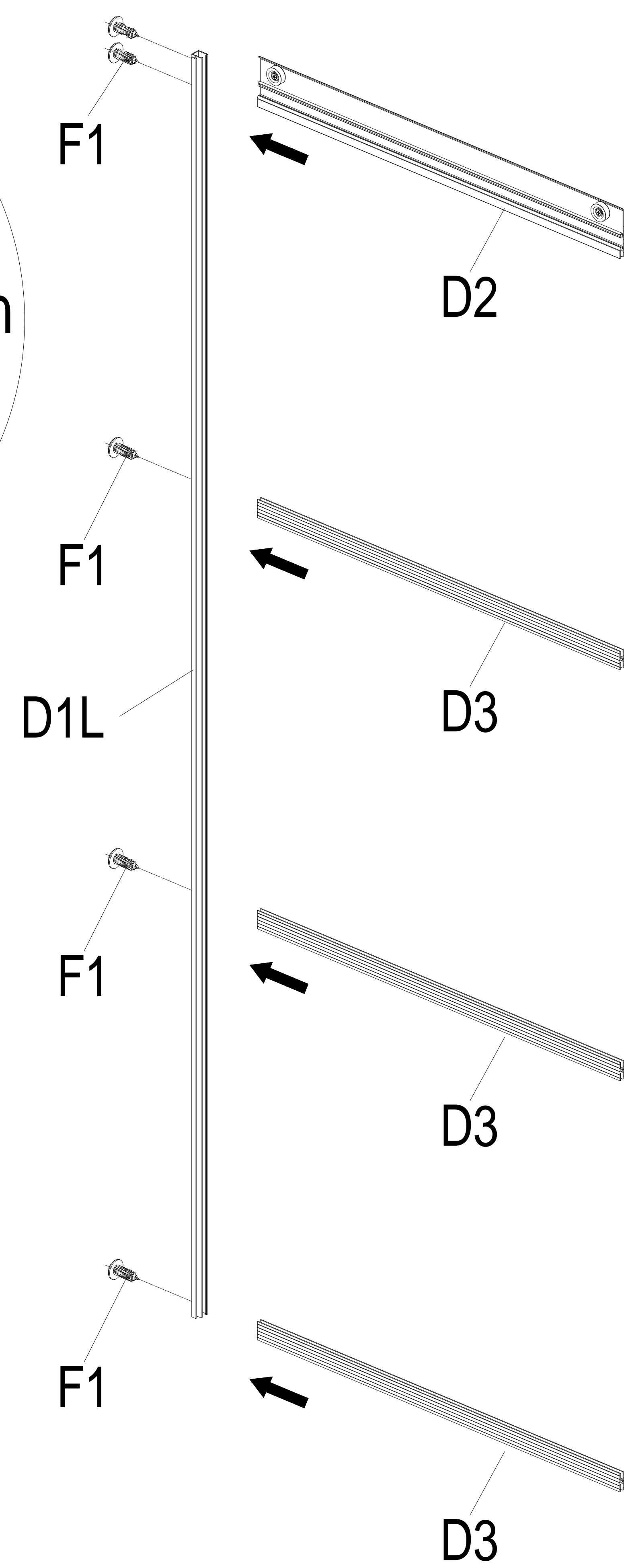
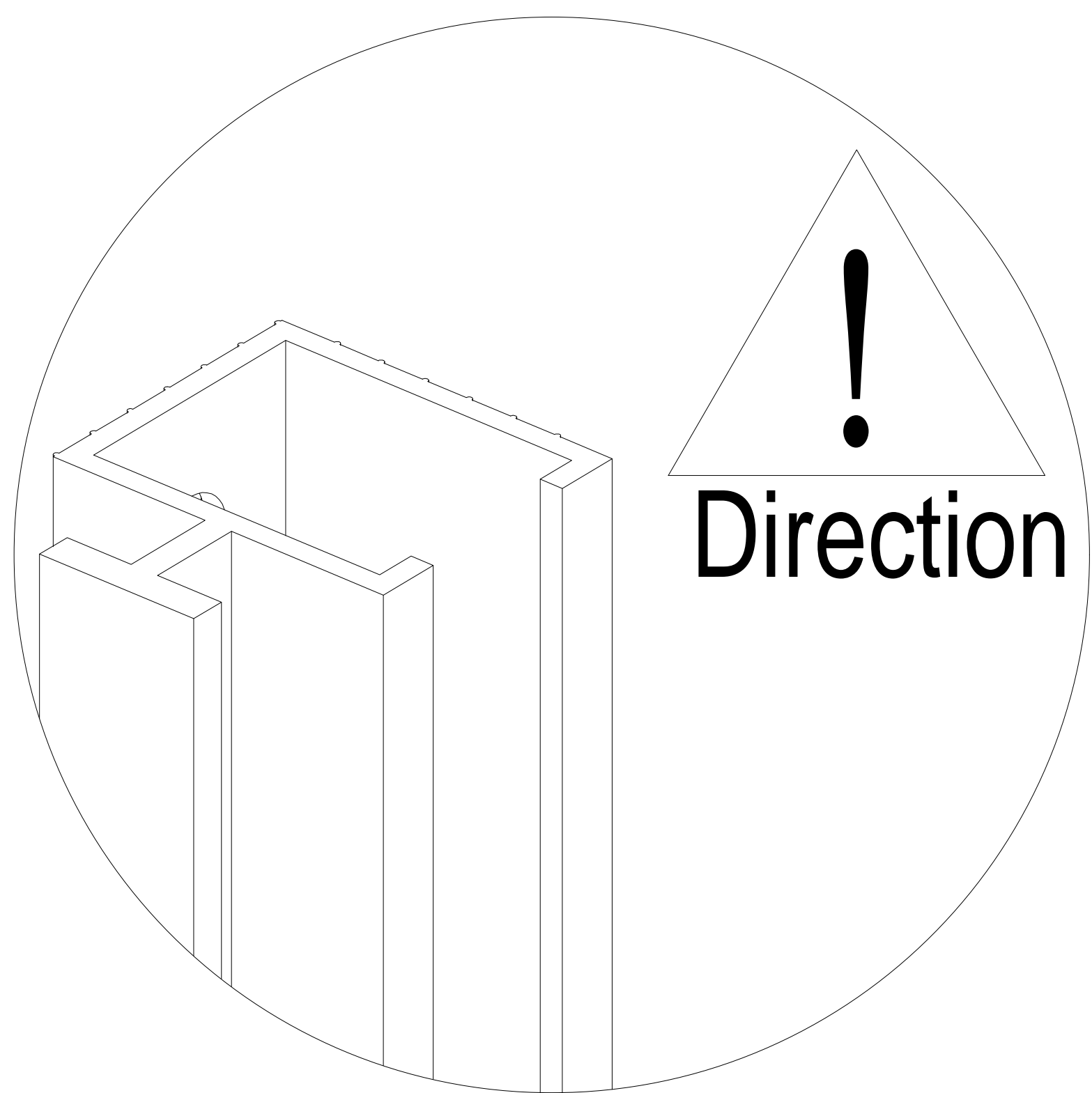
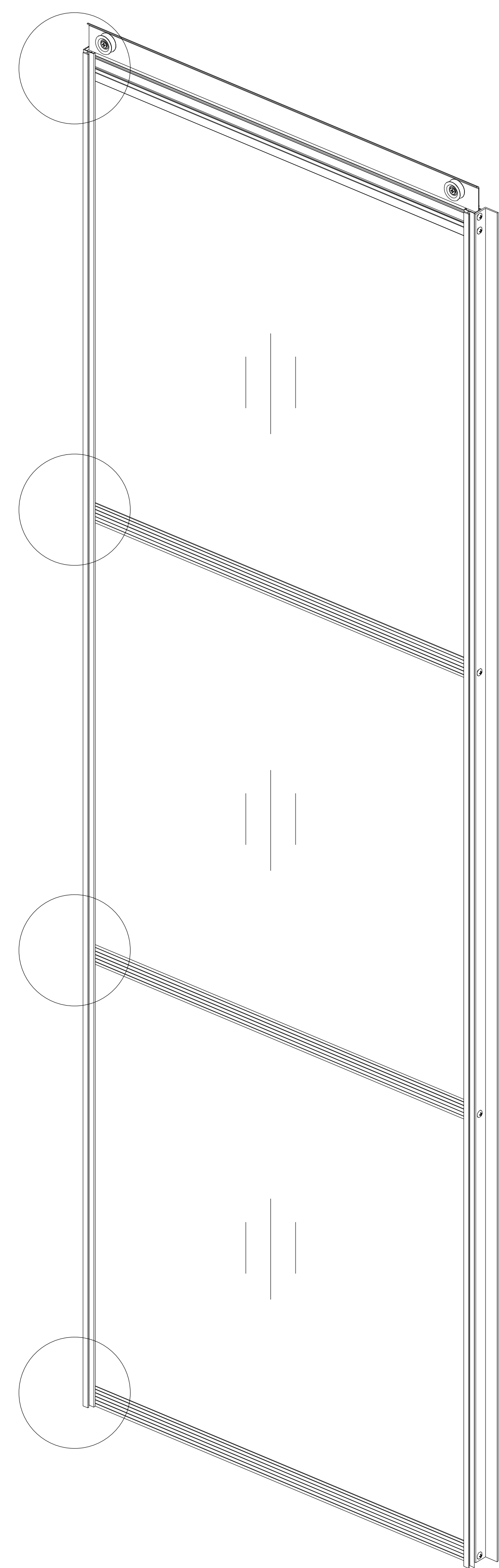


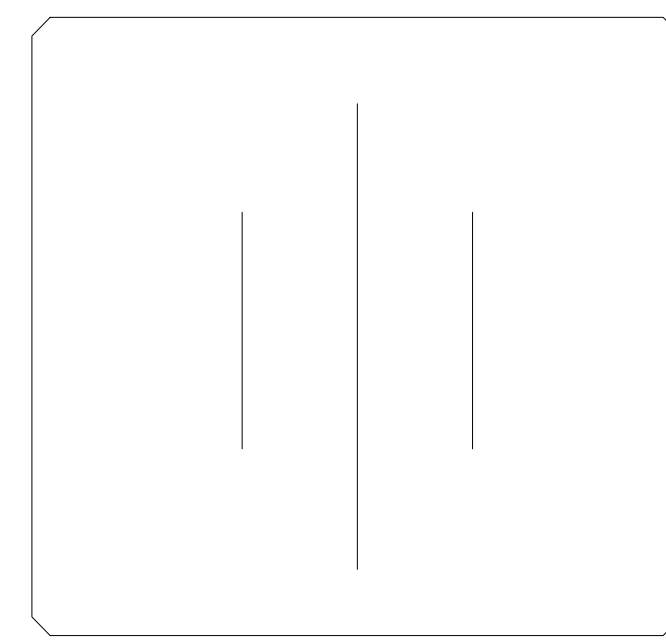
DOOR-Right



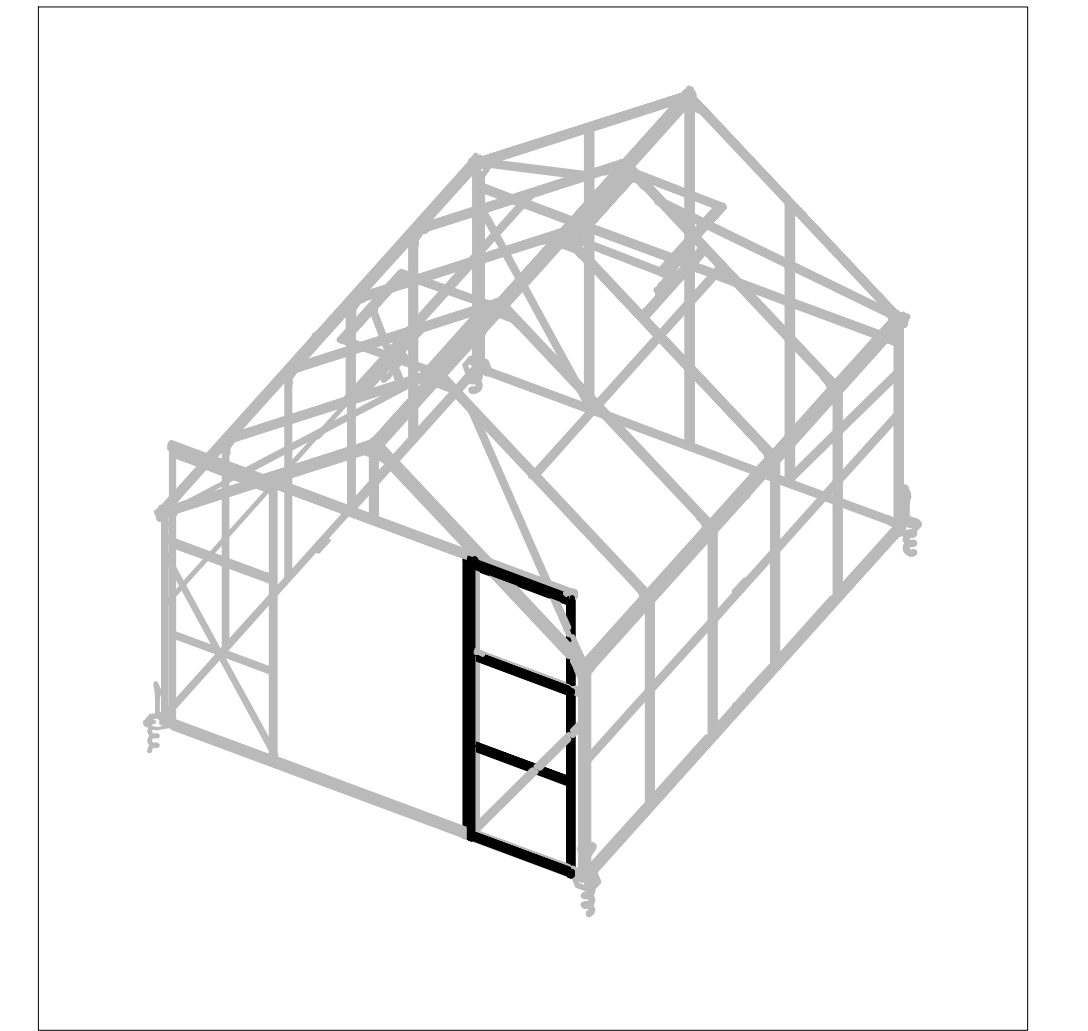


DOOR-Left

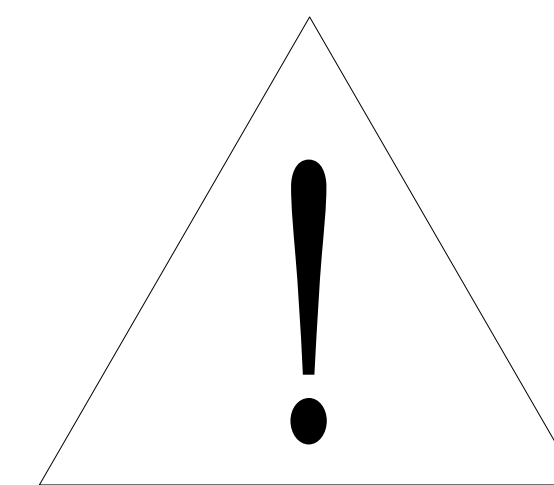
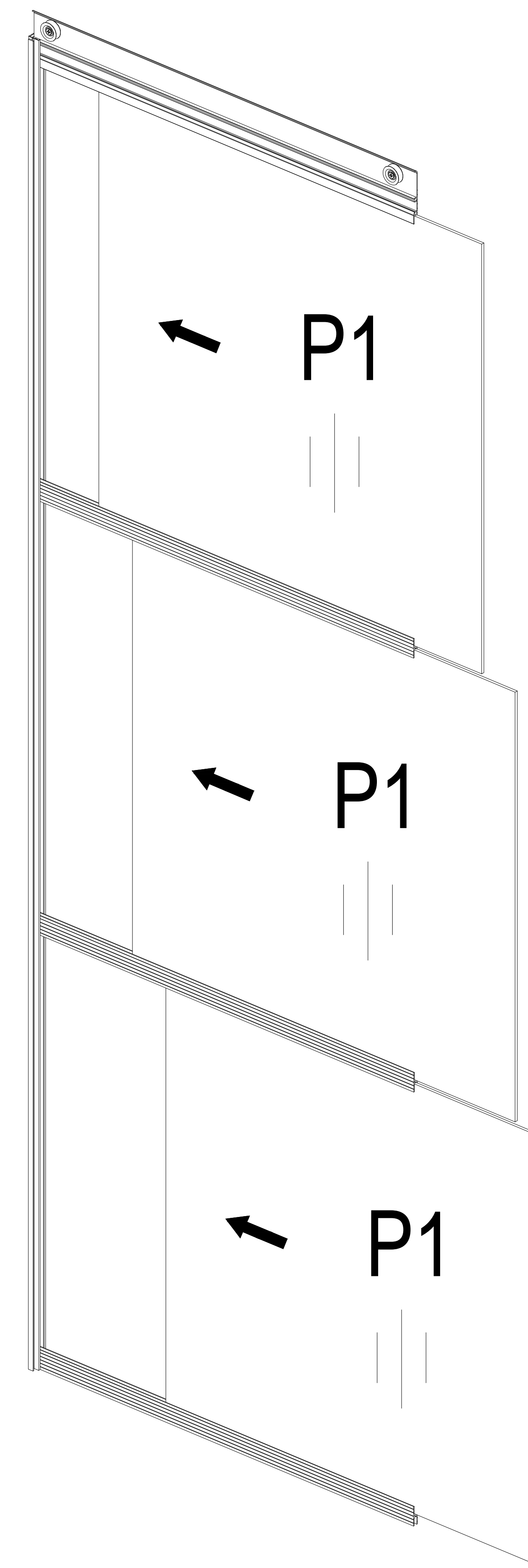
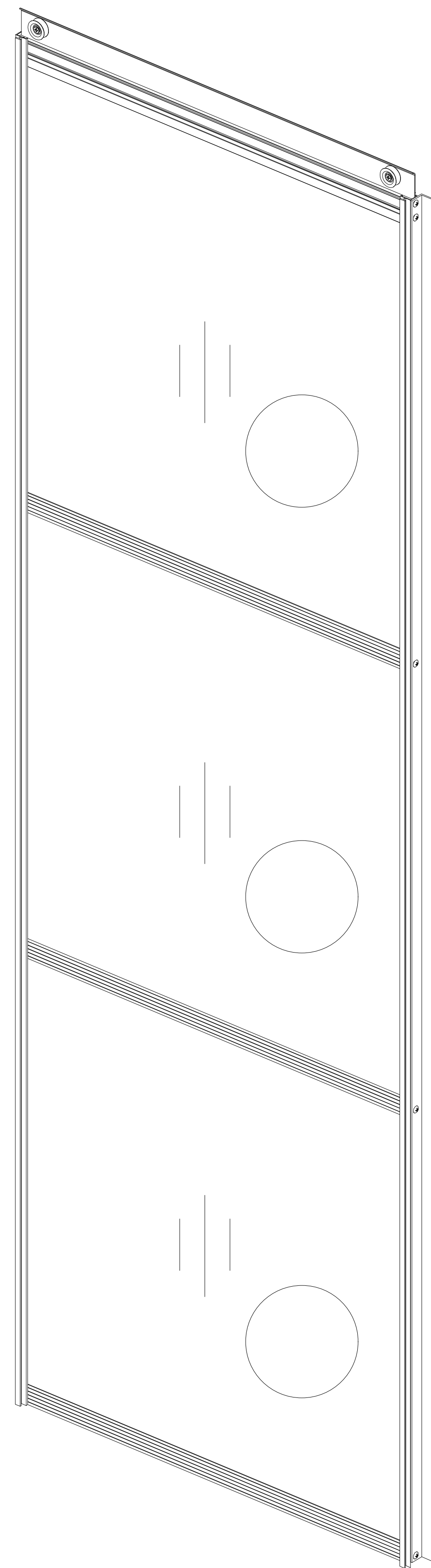




P1x3

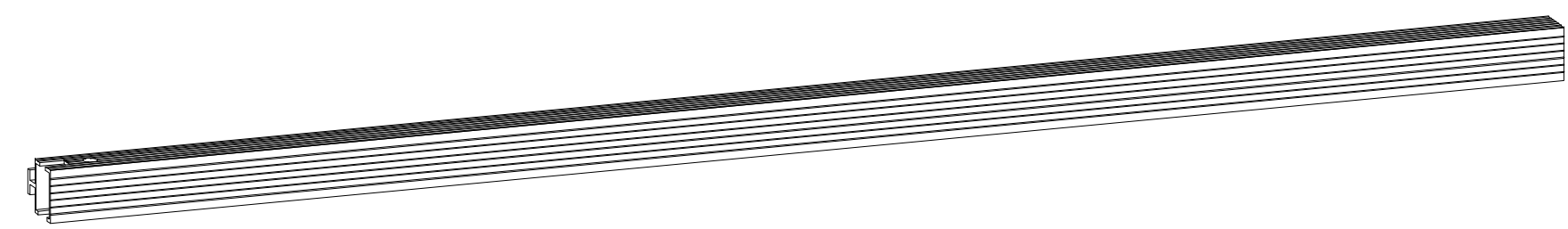


DOOR-Left

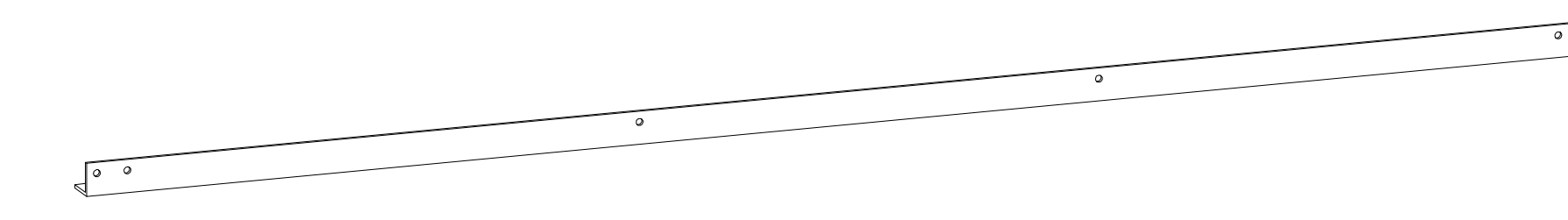


Note toward the UV surface to the Sun.

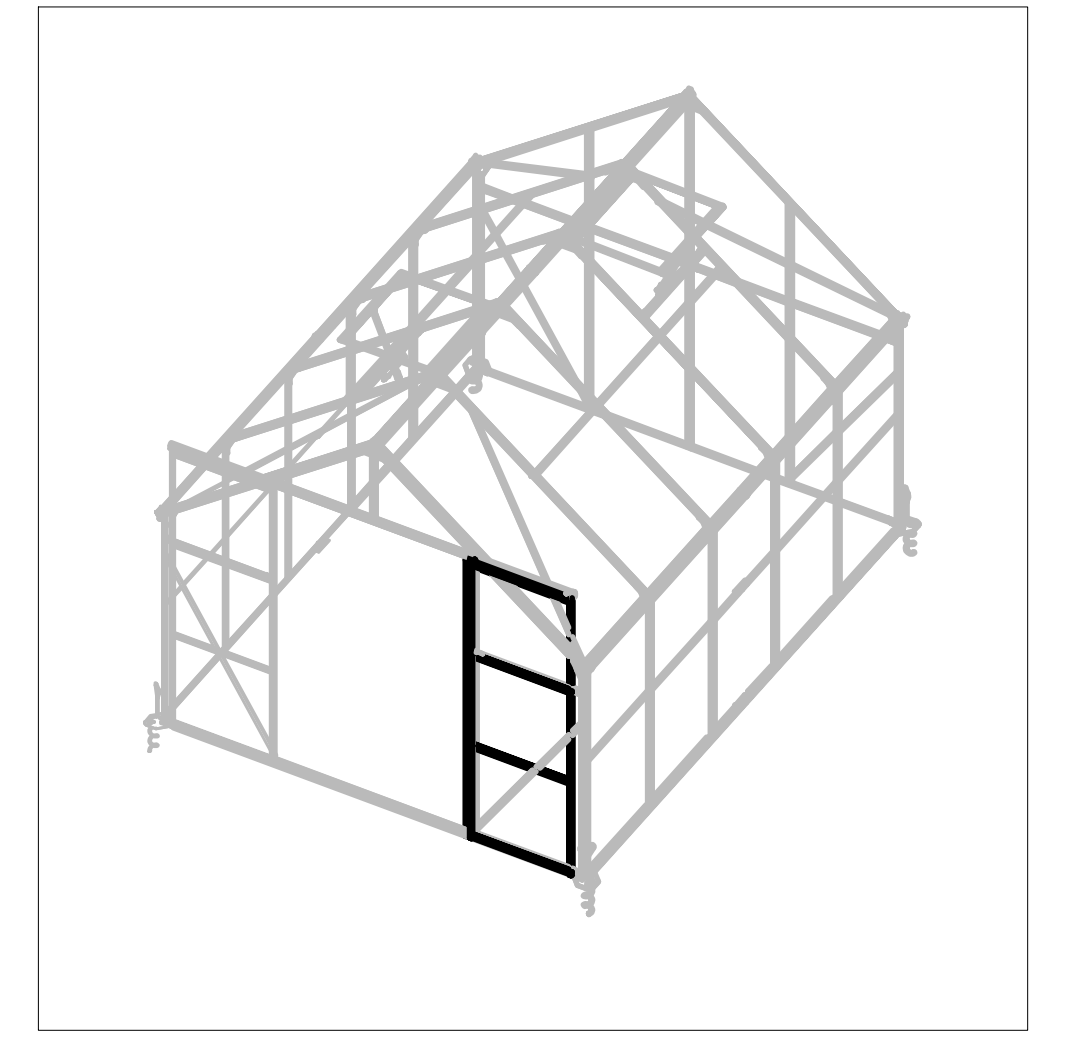
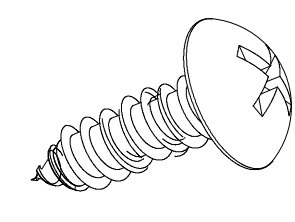
D1Rx1



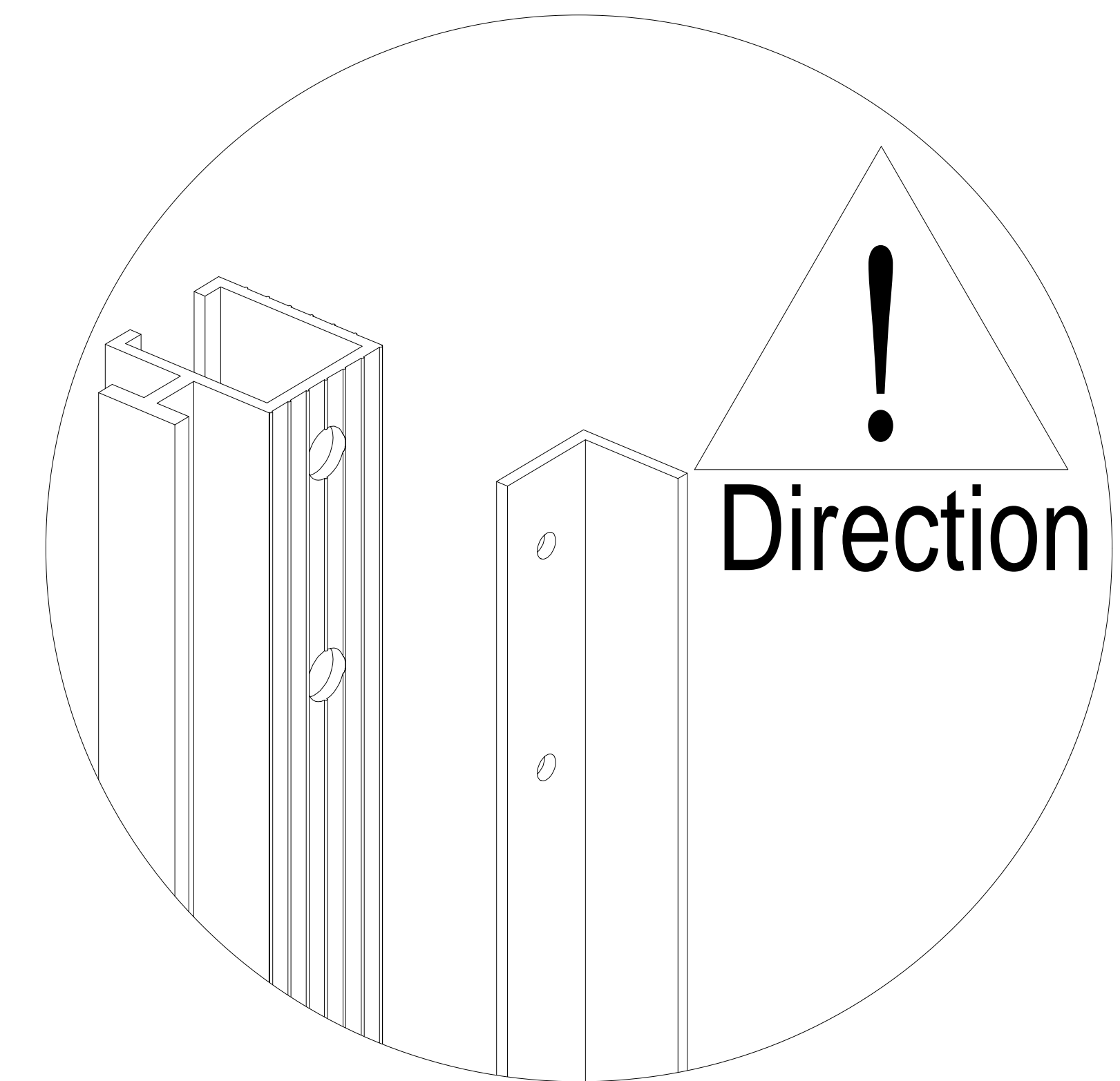
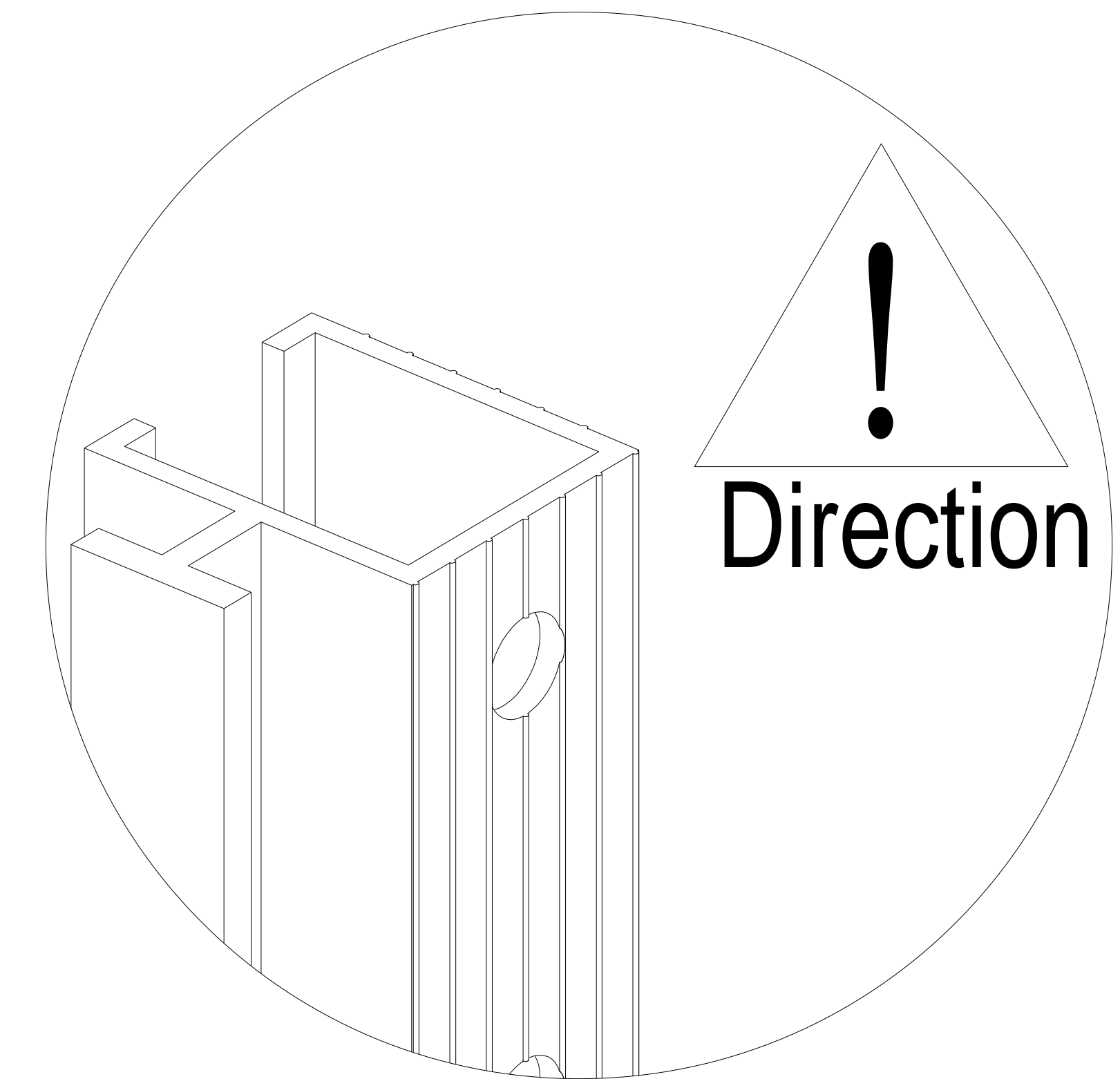
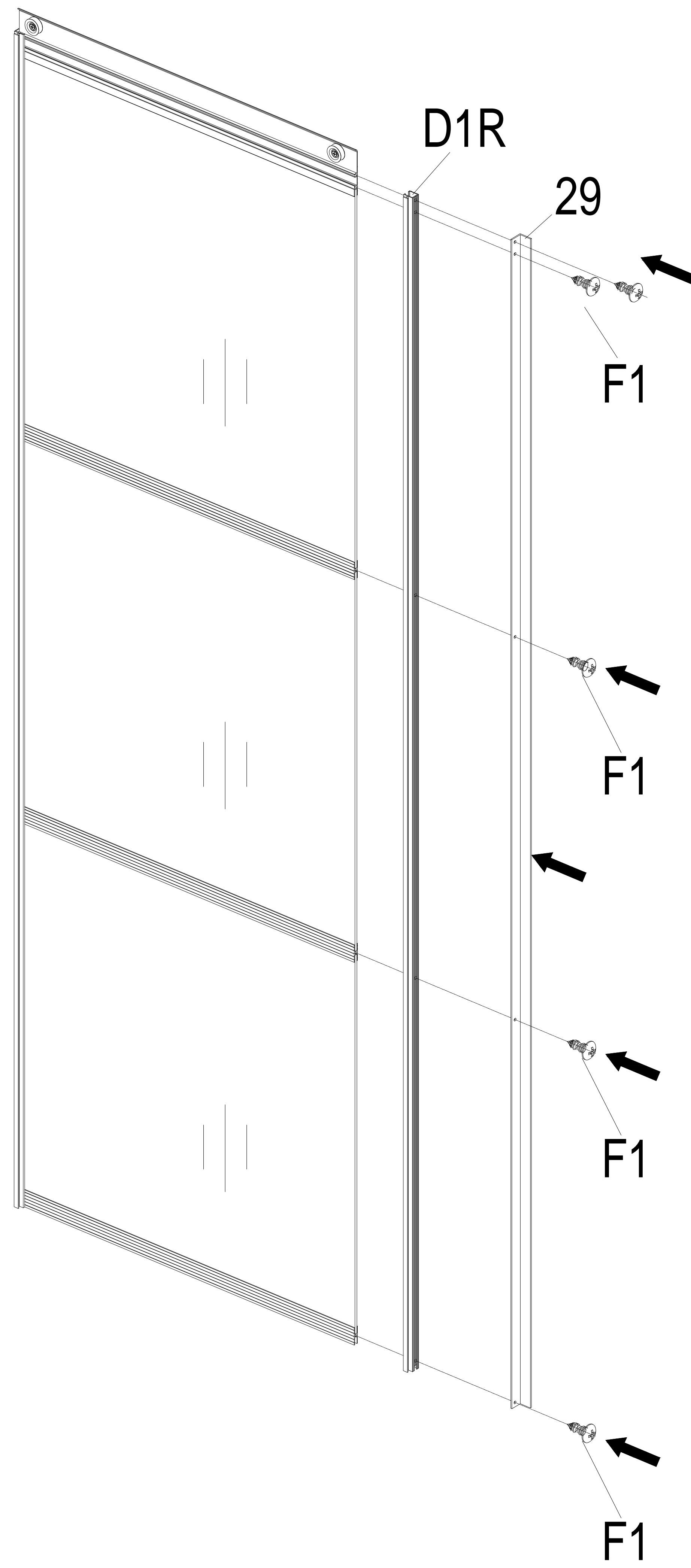
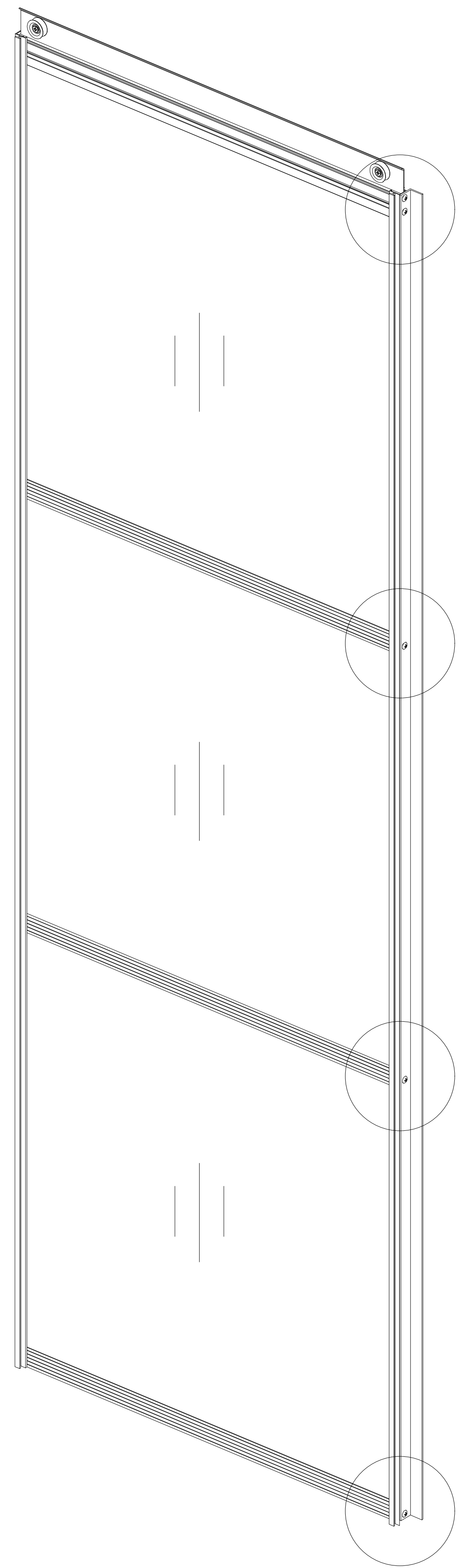
29x1

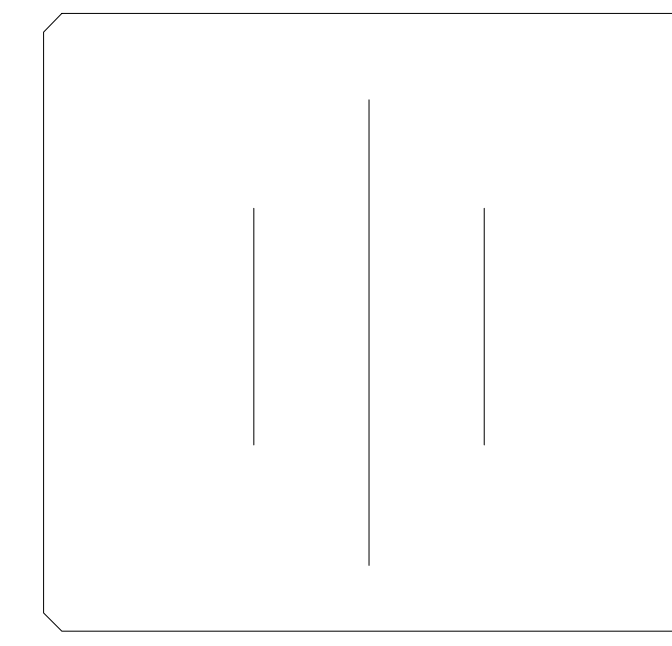
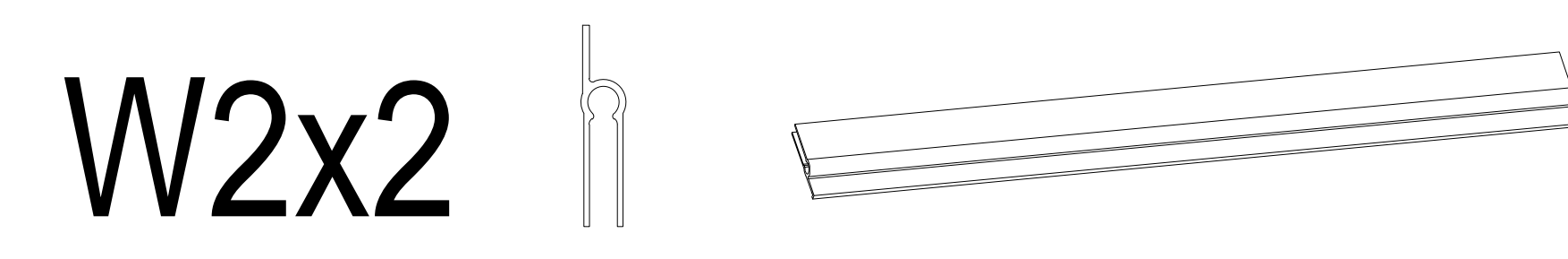
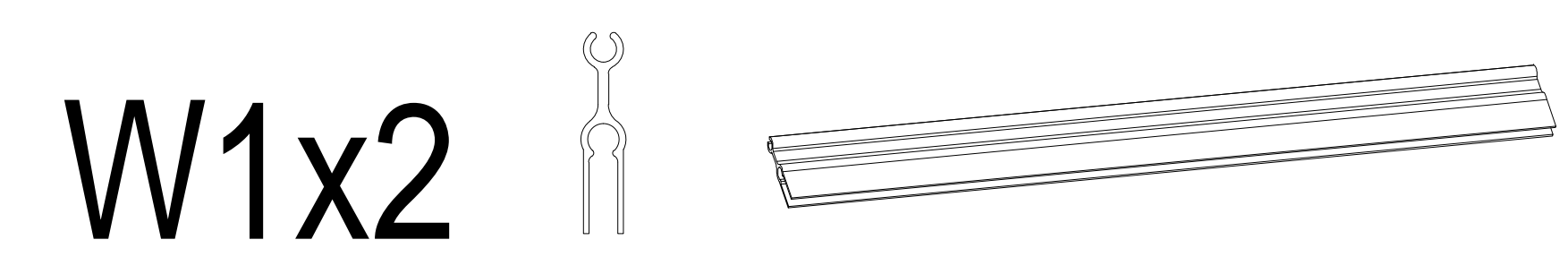


(ST4.2x10)
F1x5

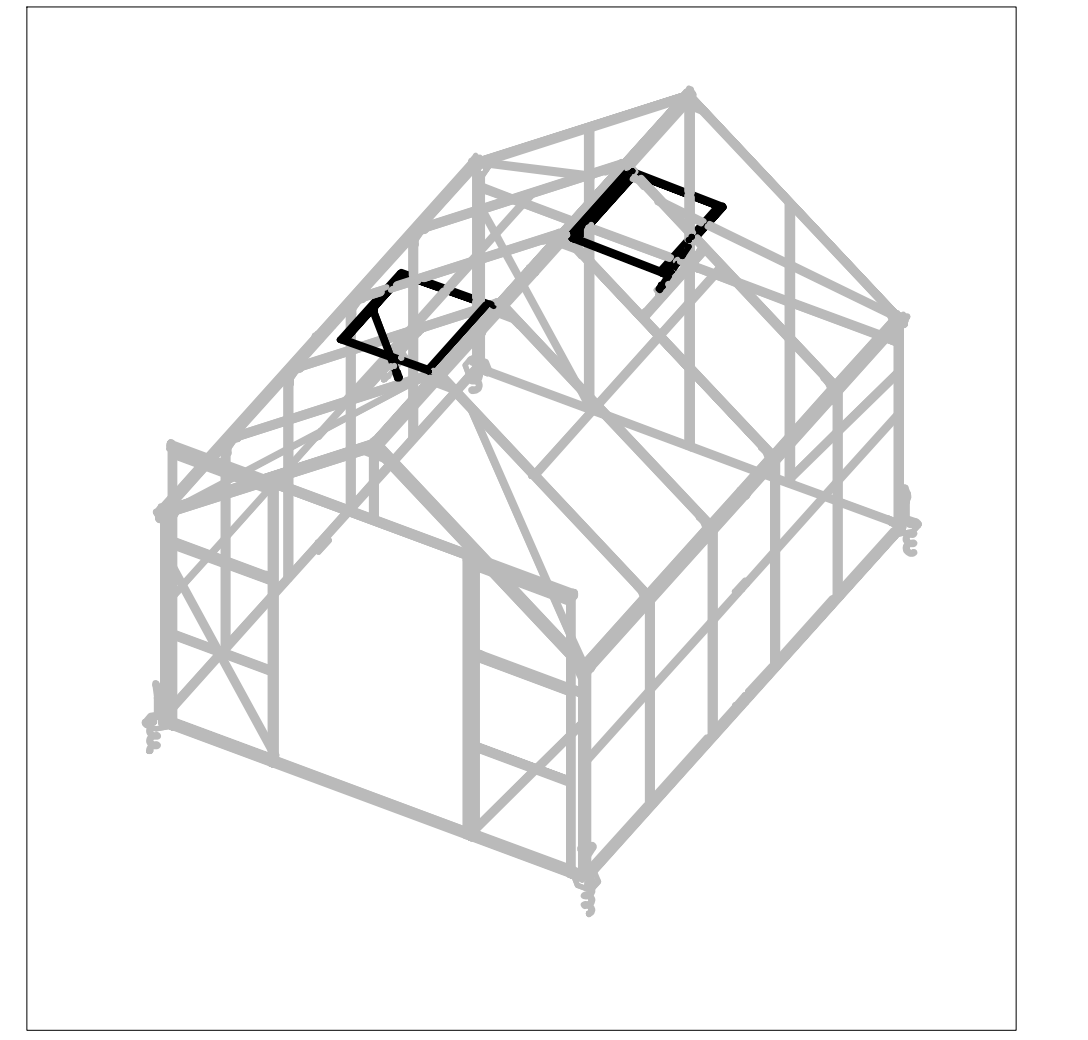


DOOR-Left

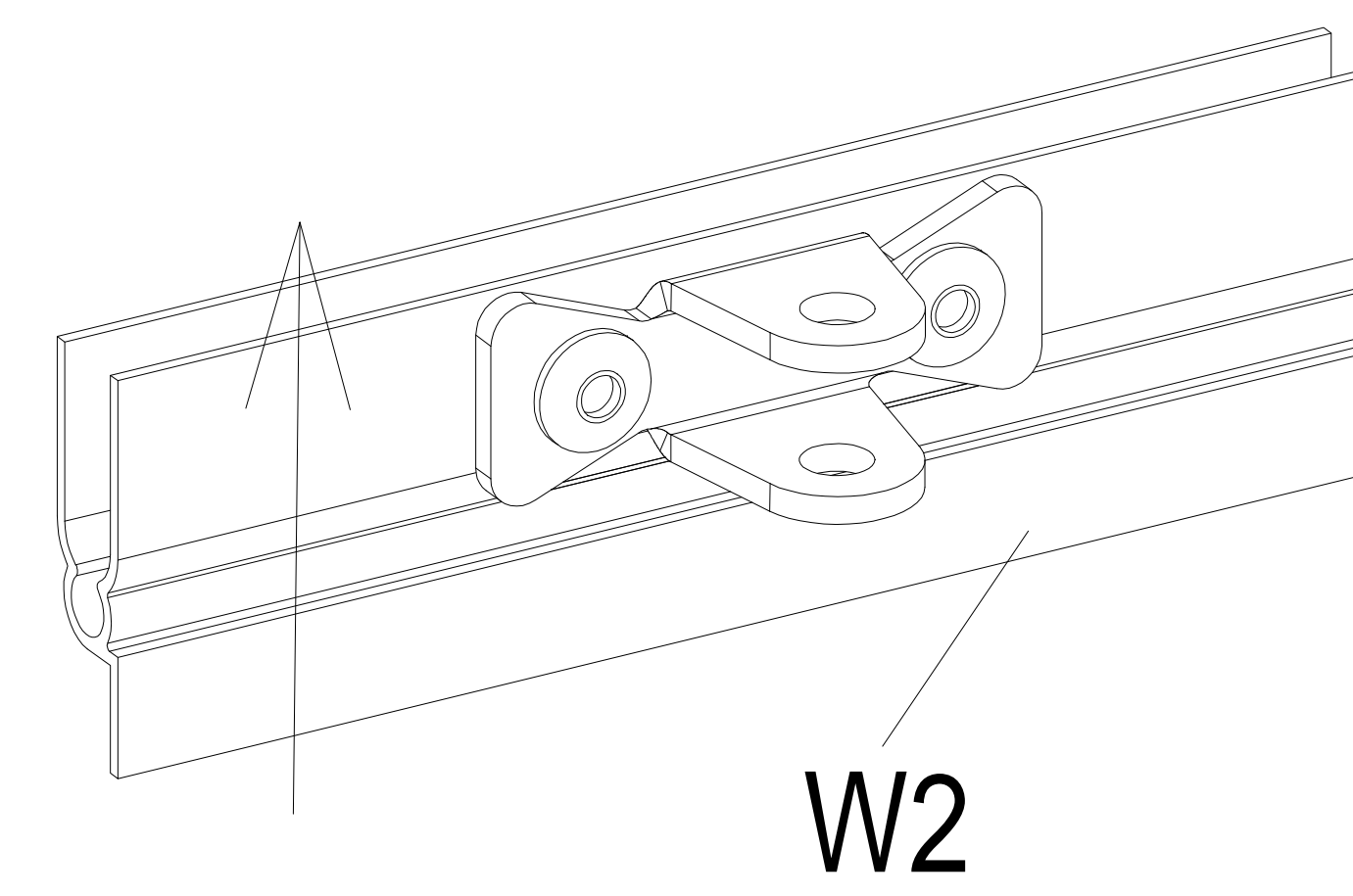
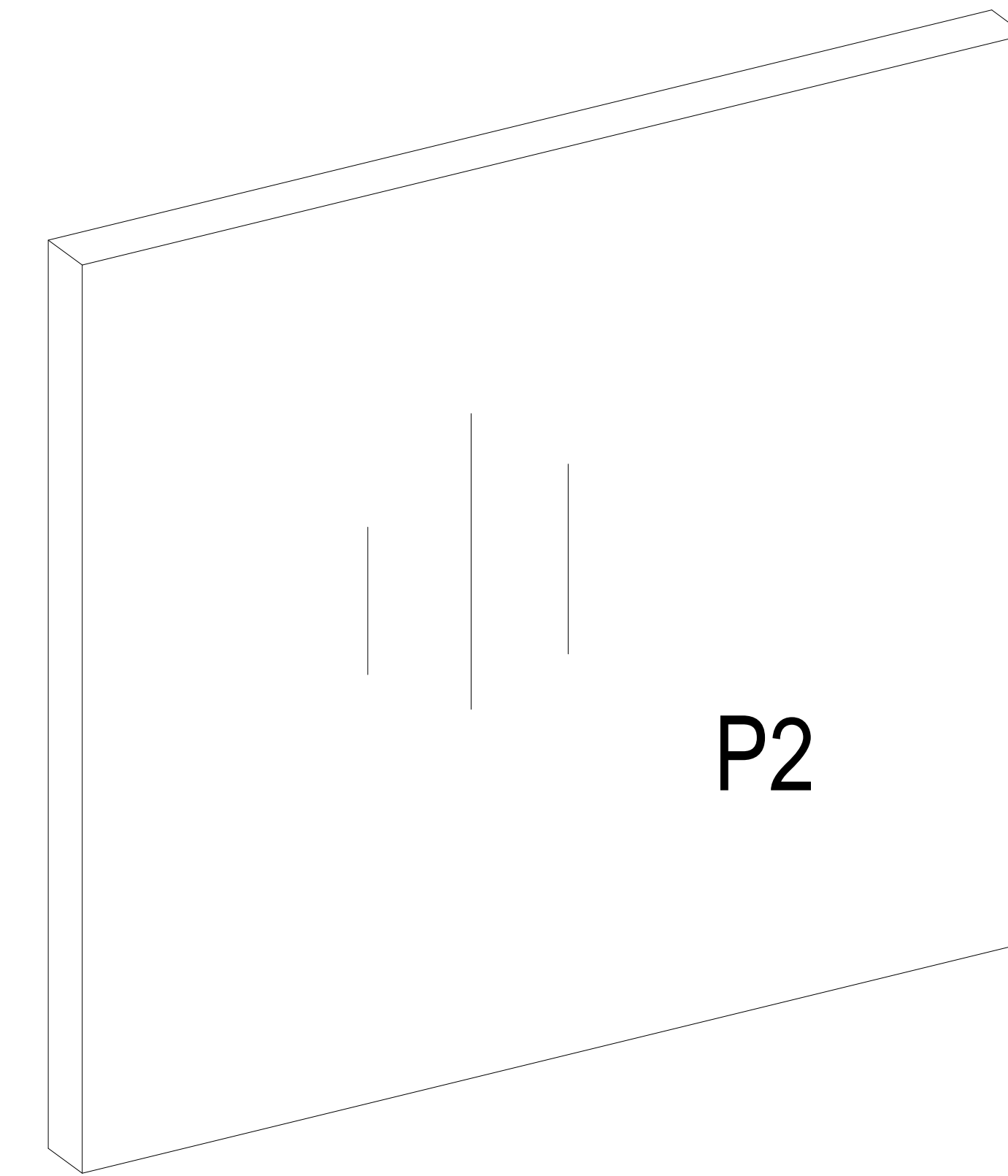
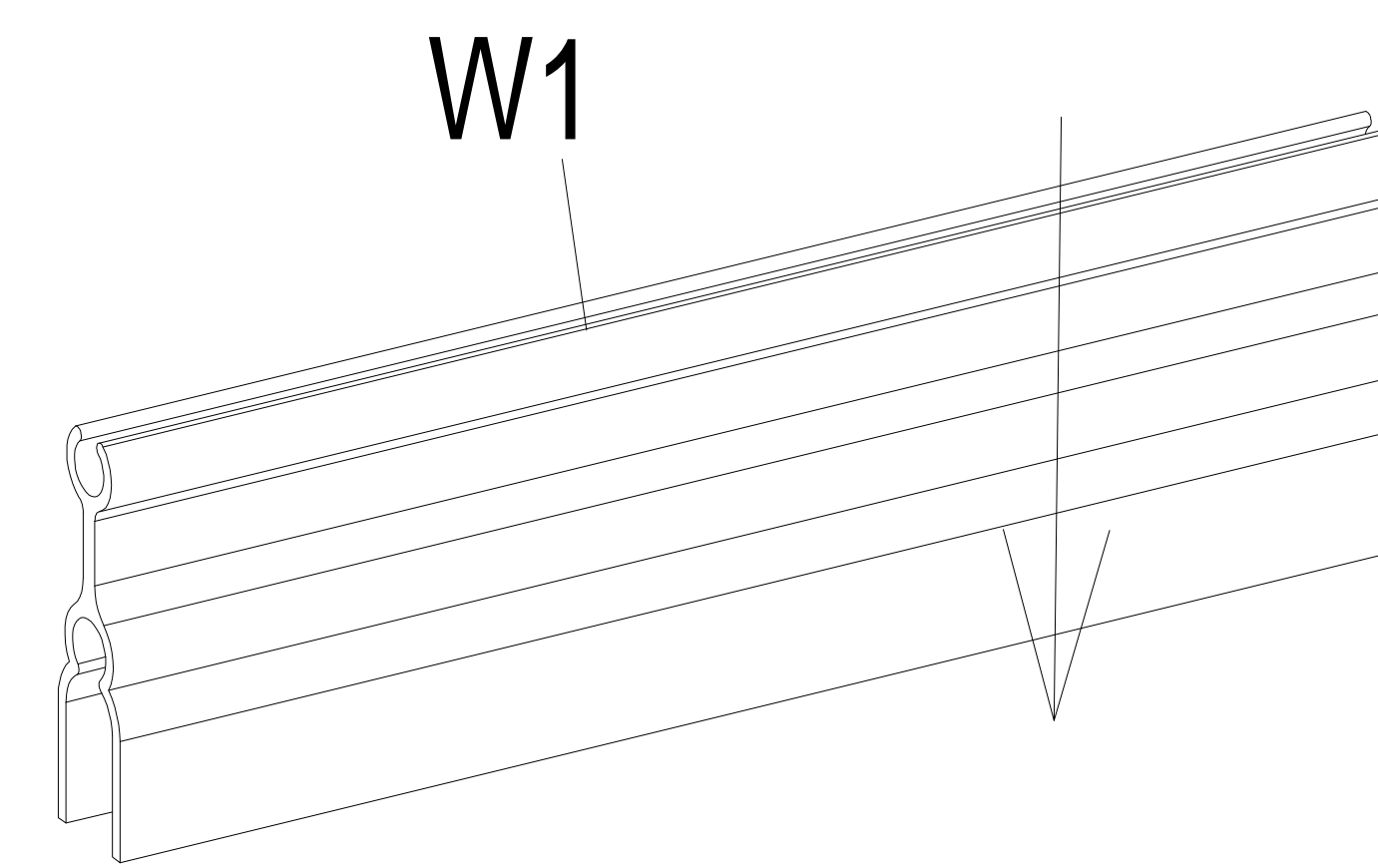
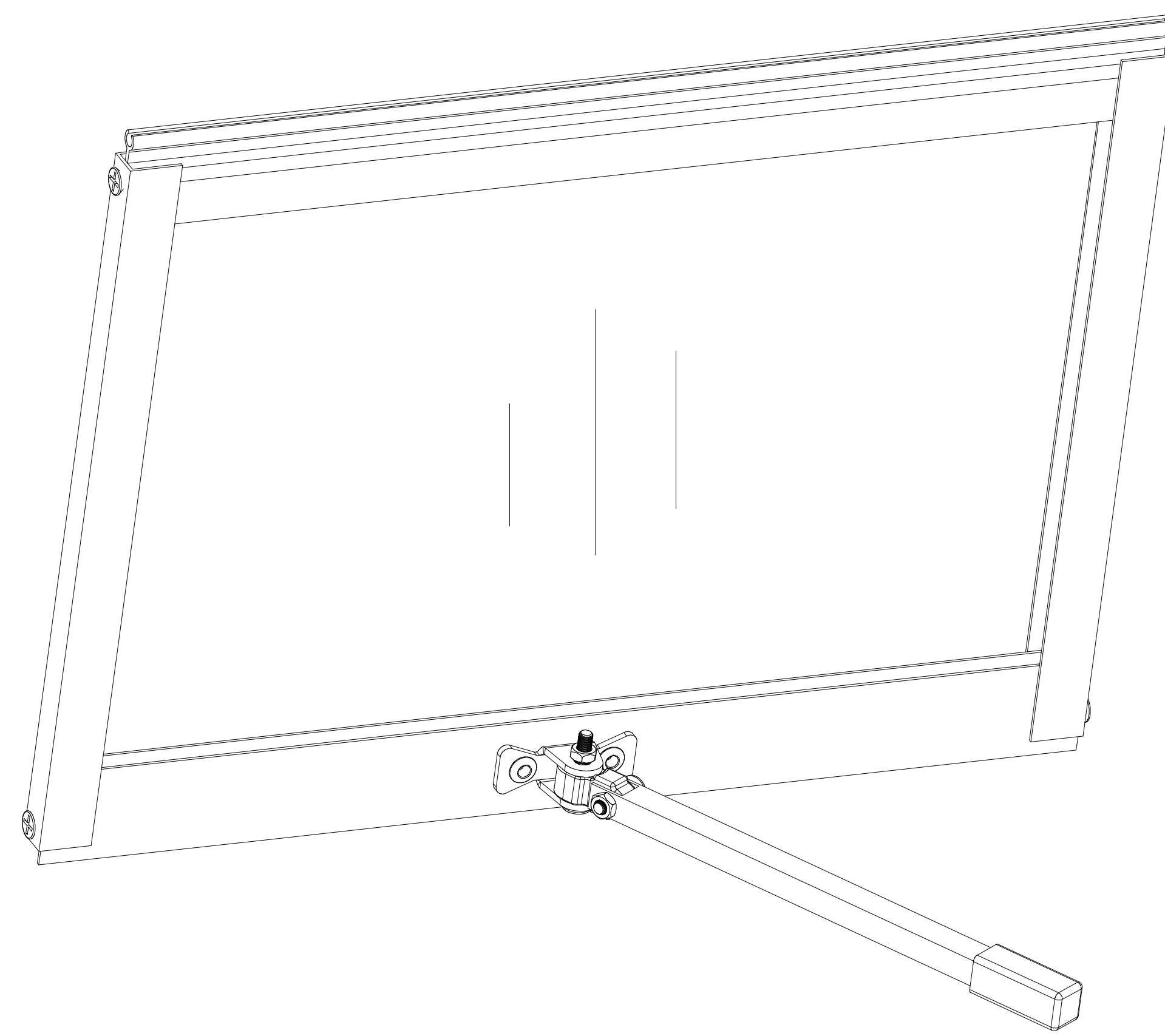




P2x2

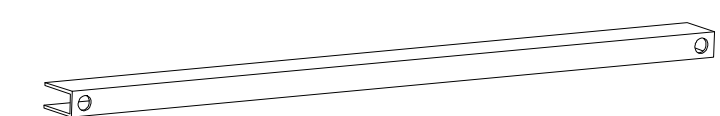
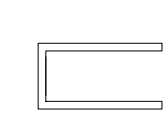


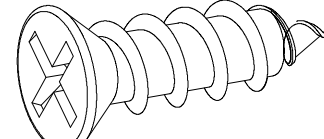
WINDOW x2

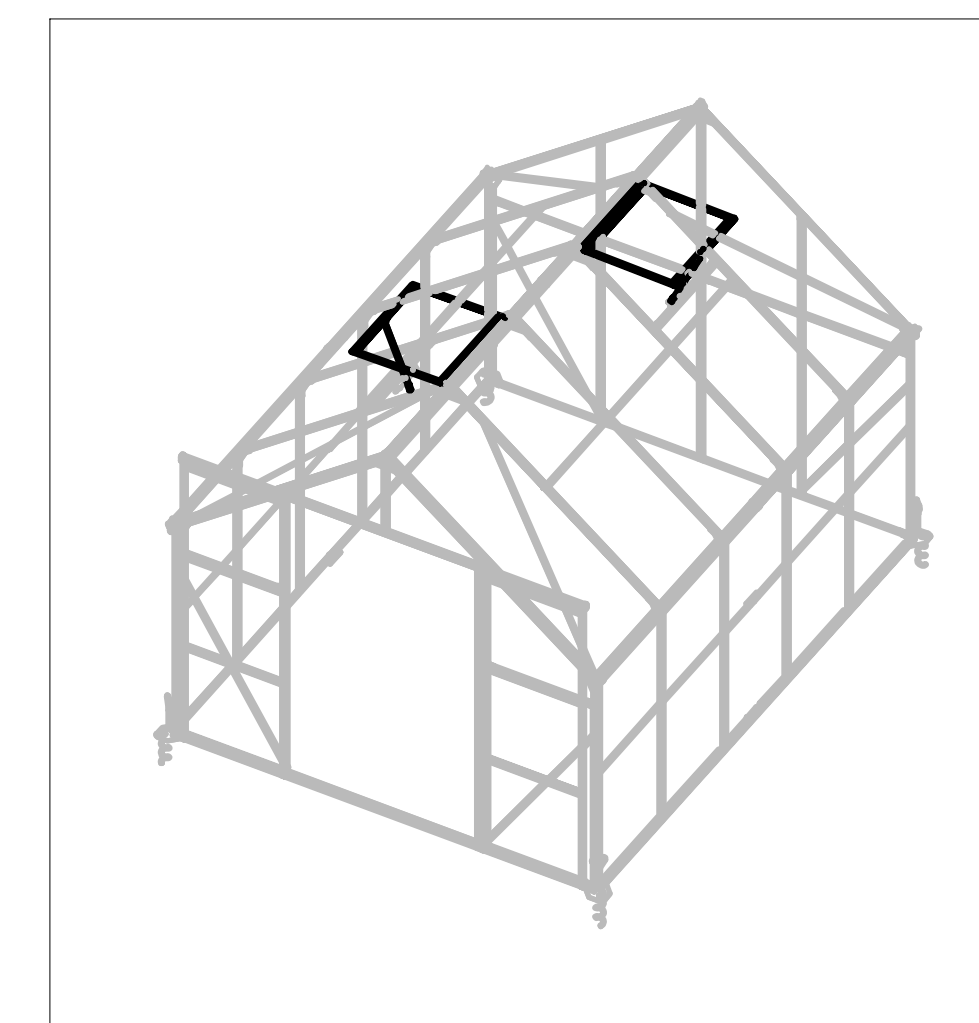


x2

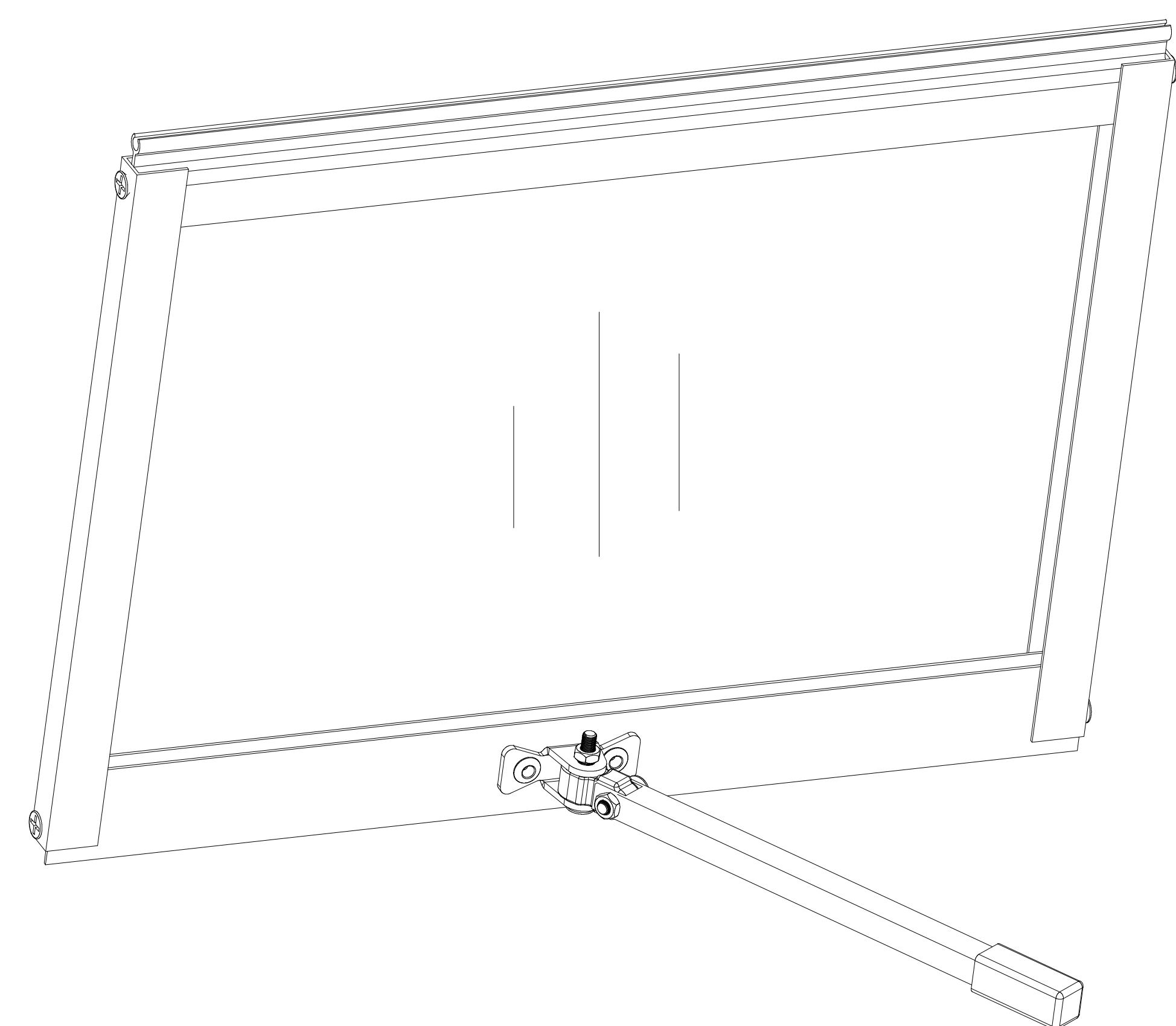
W3x4



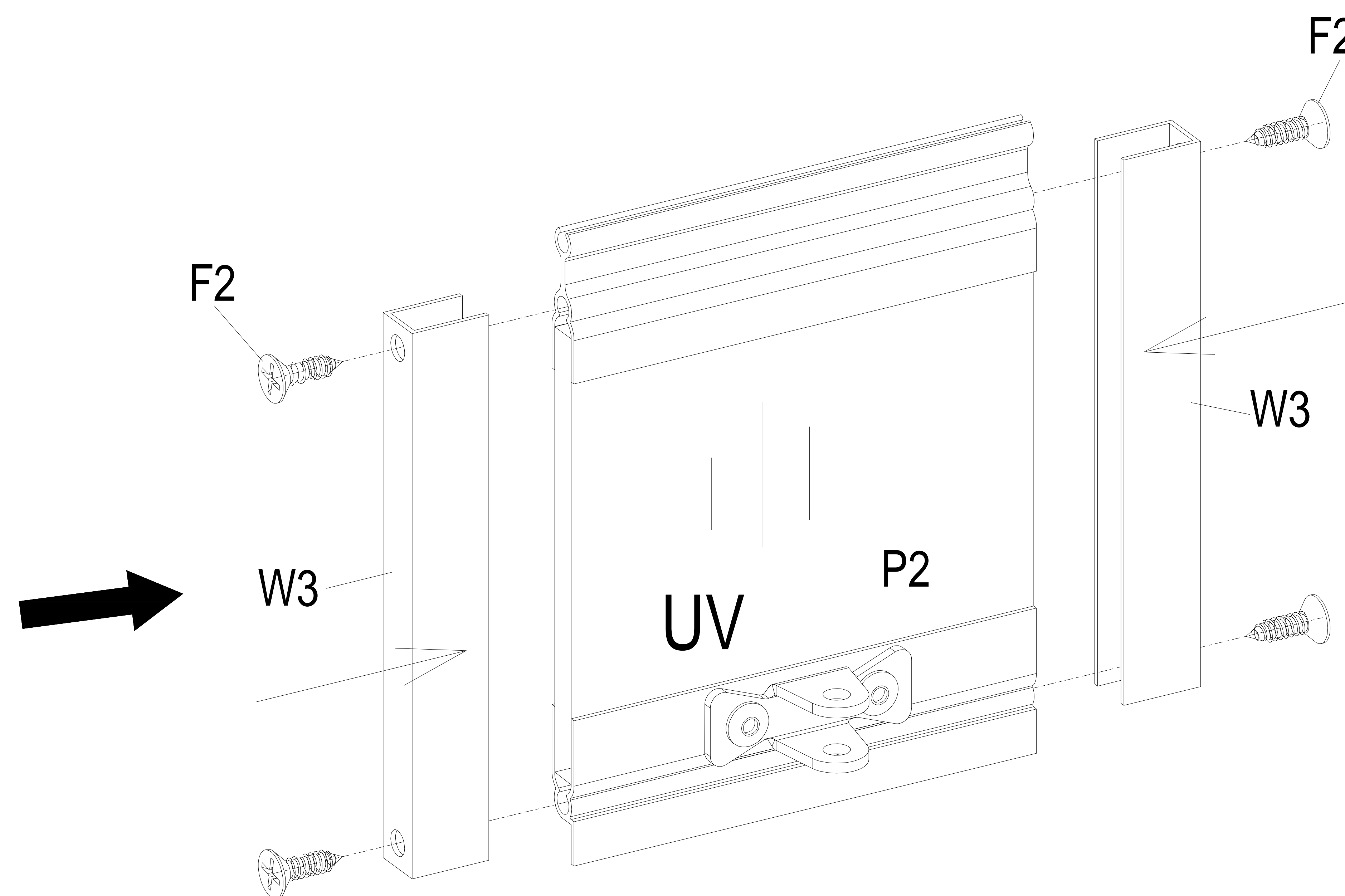

(ST4.8x16)
F2x8



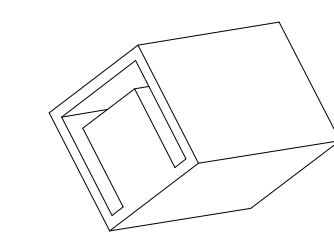
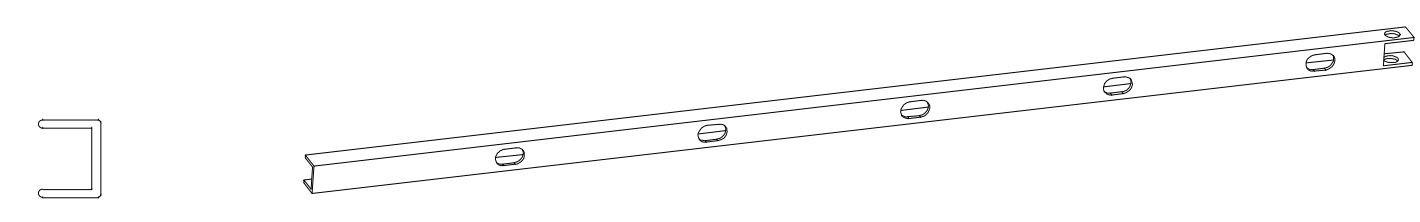
WINDOW x2



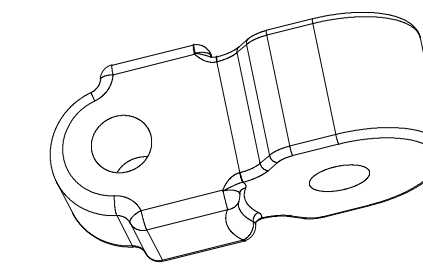
x2



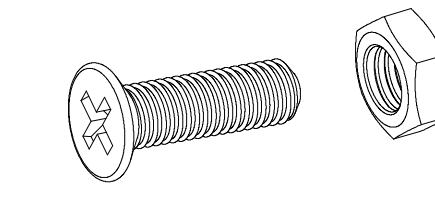
W4x2



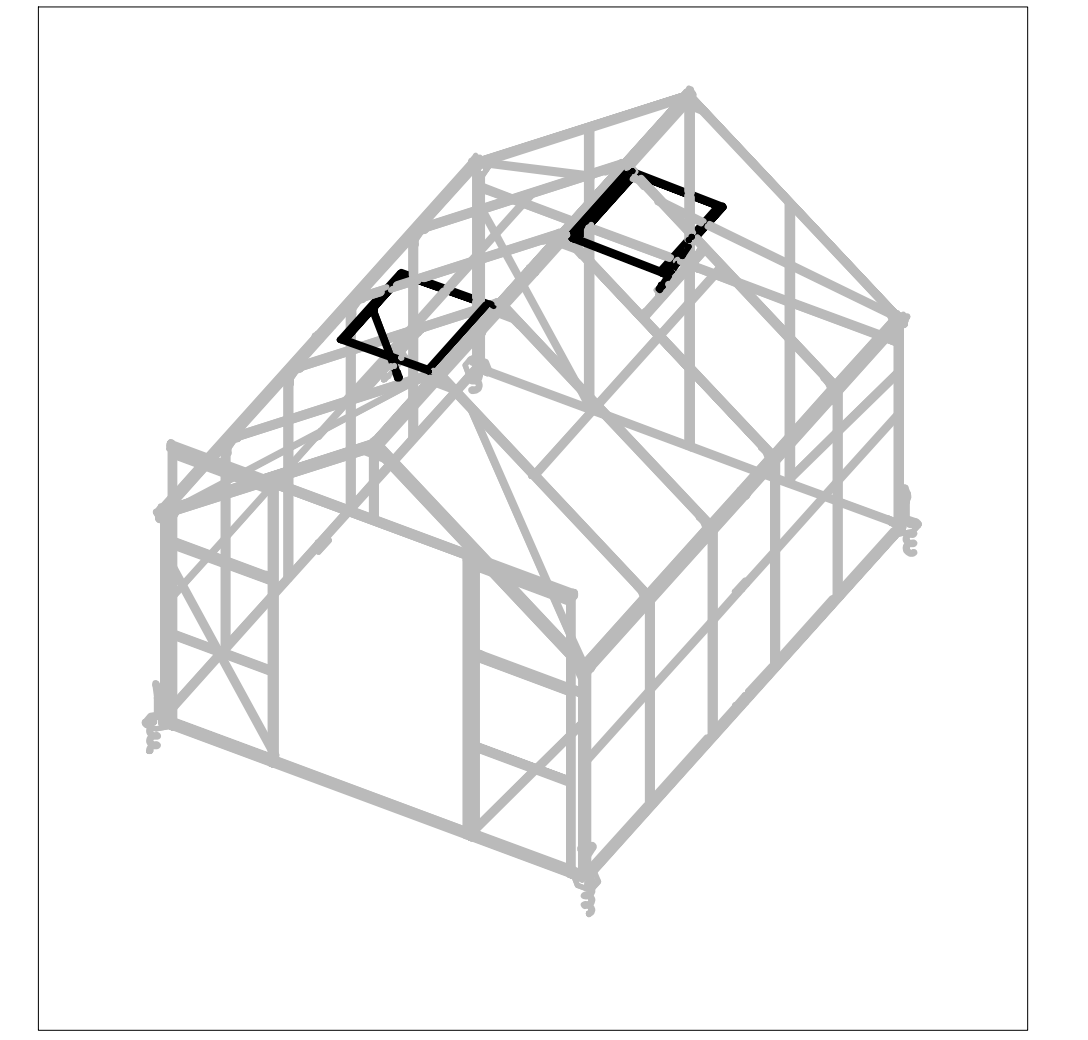
S8x2



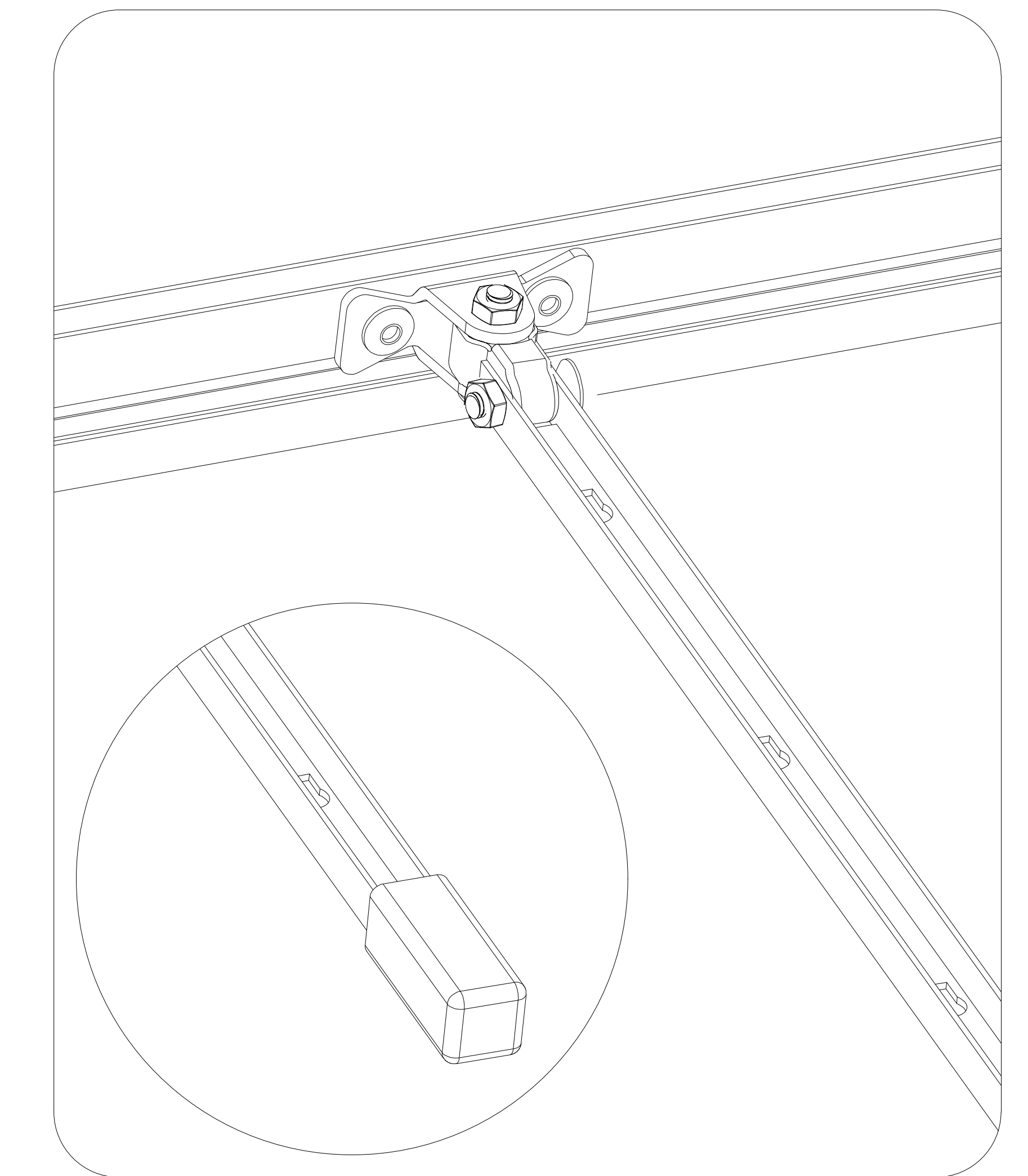
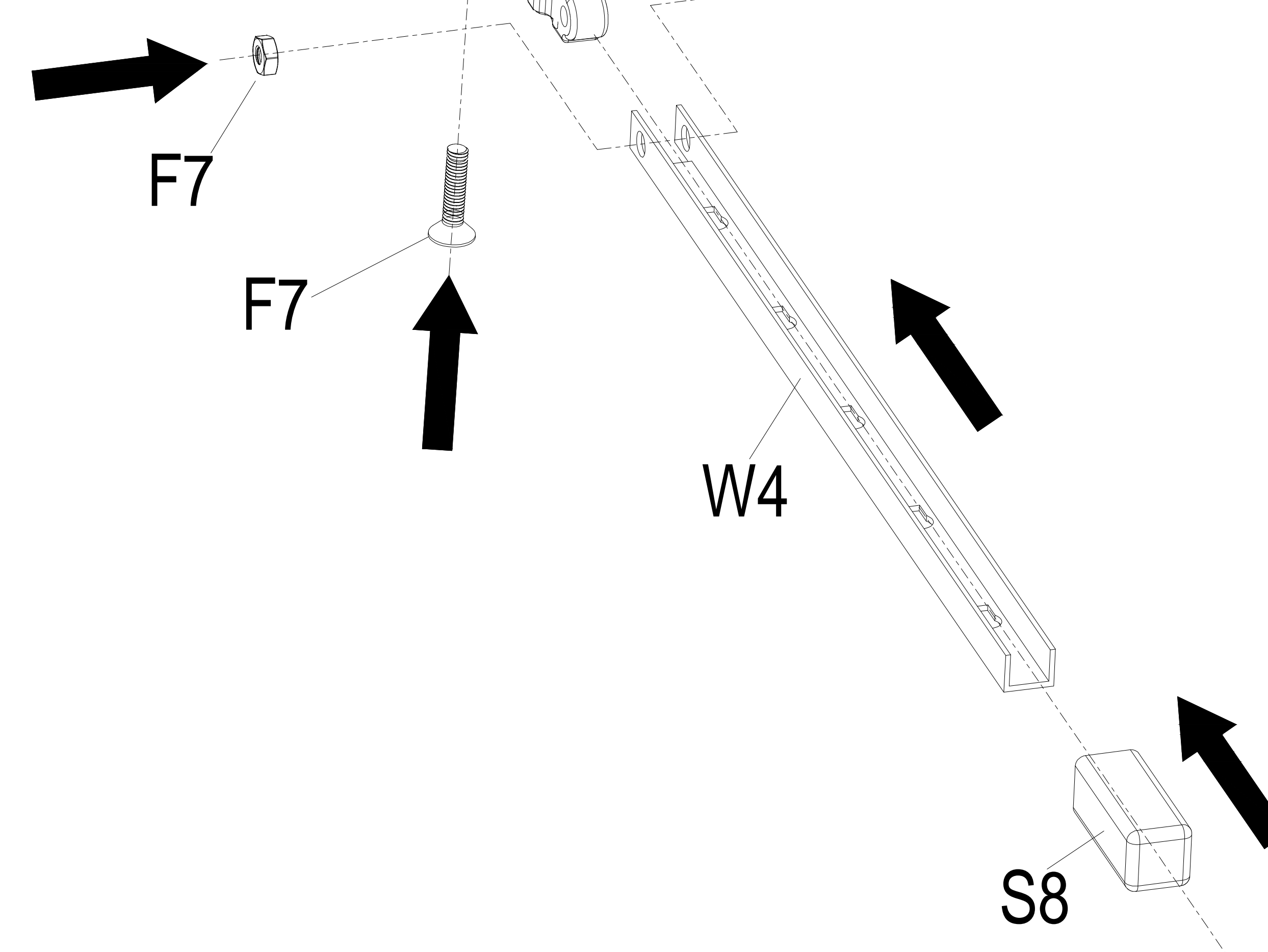
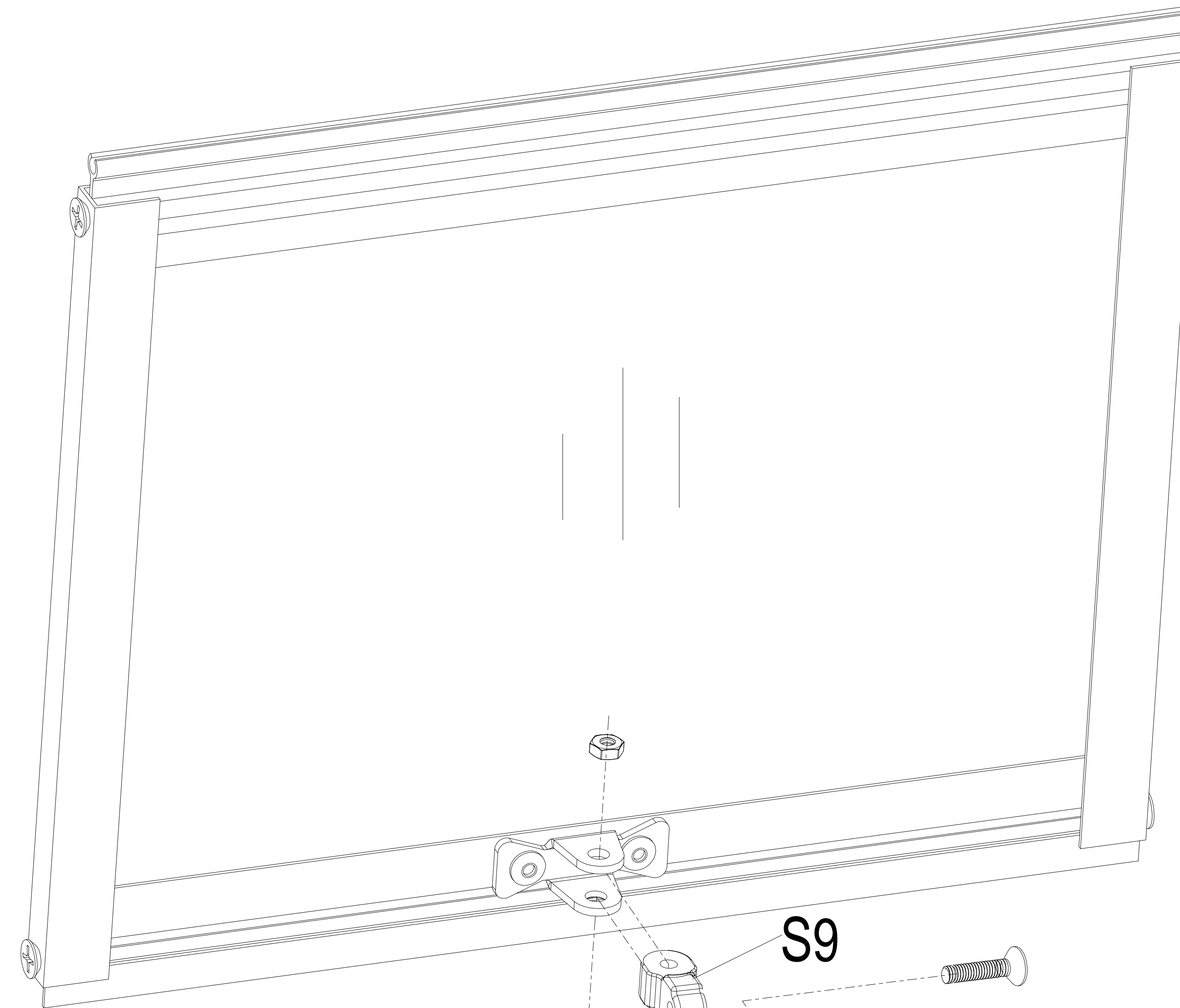
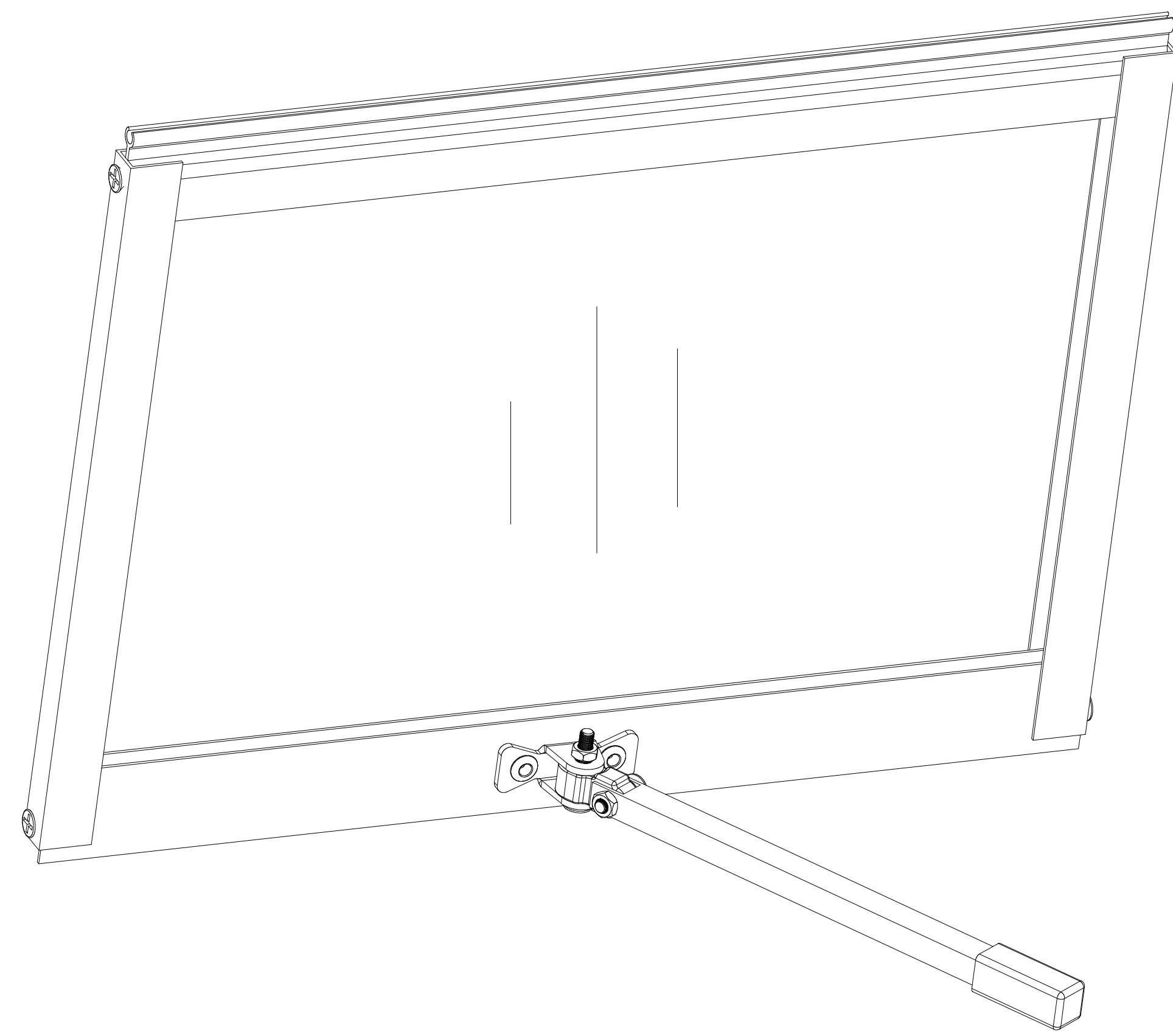
S9x2



(M4x20)
F7x4

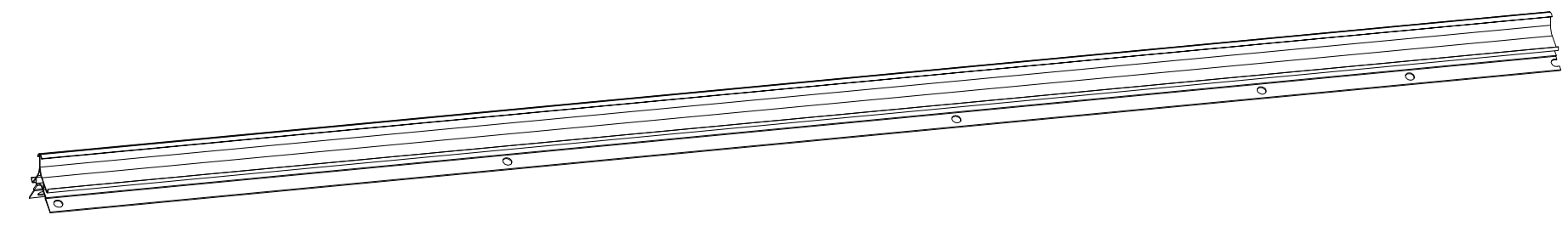
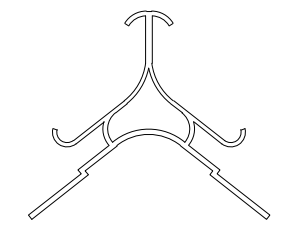


WINDOW x2

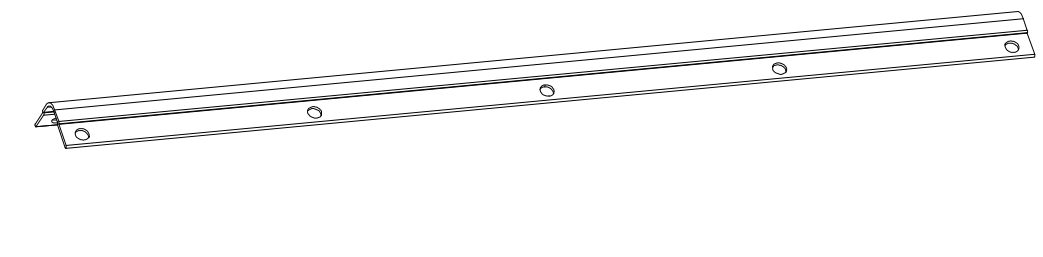
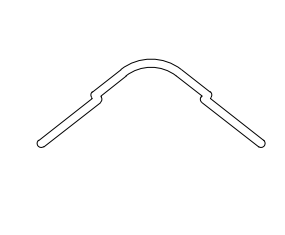


x2

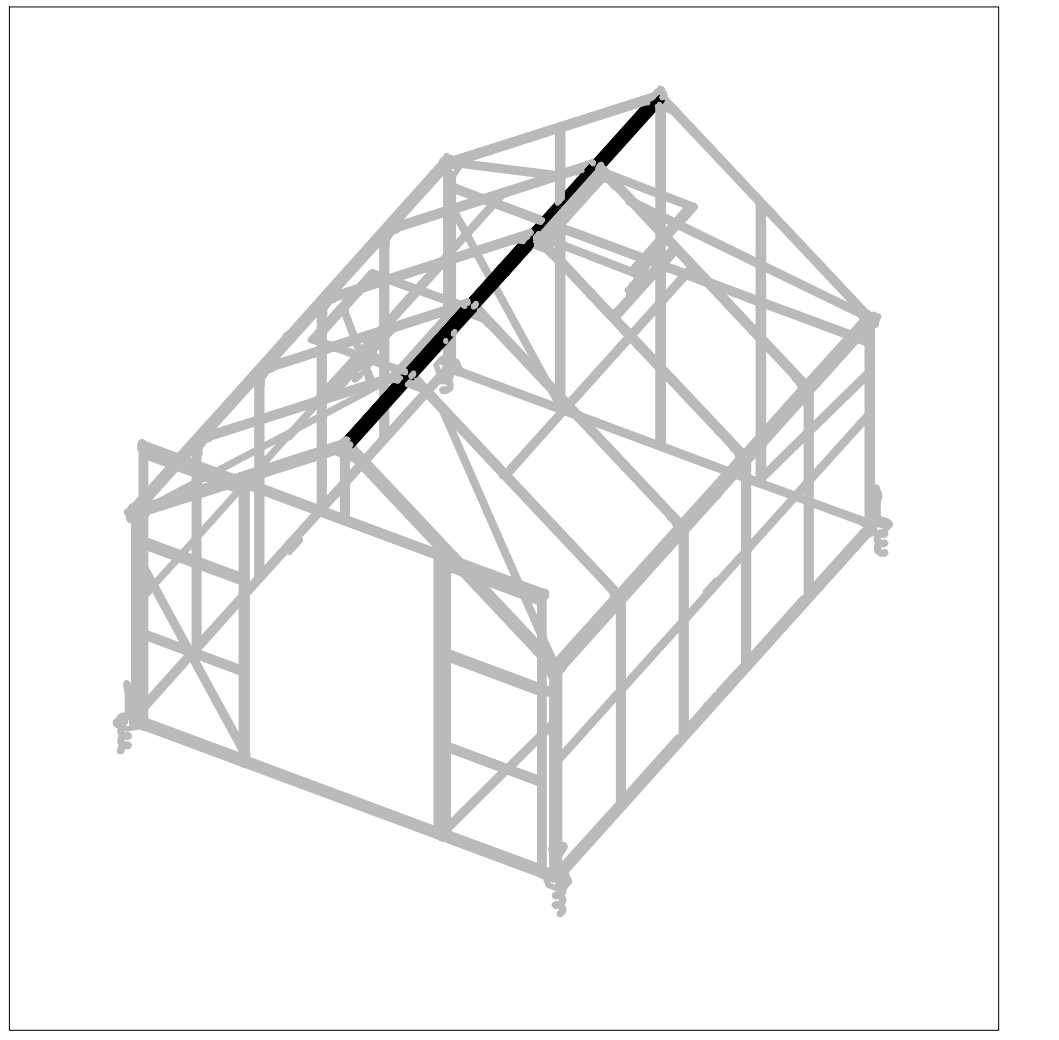
1x2



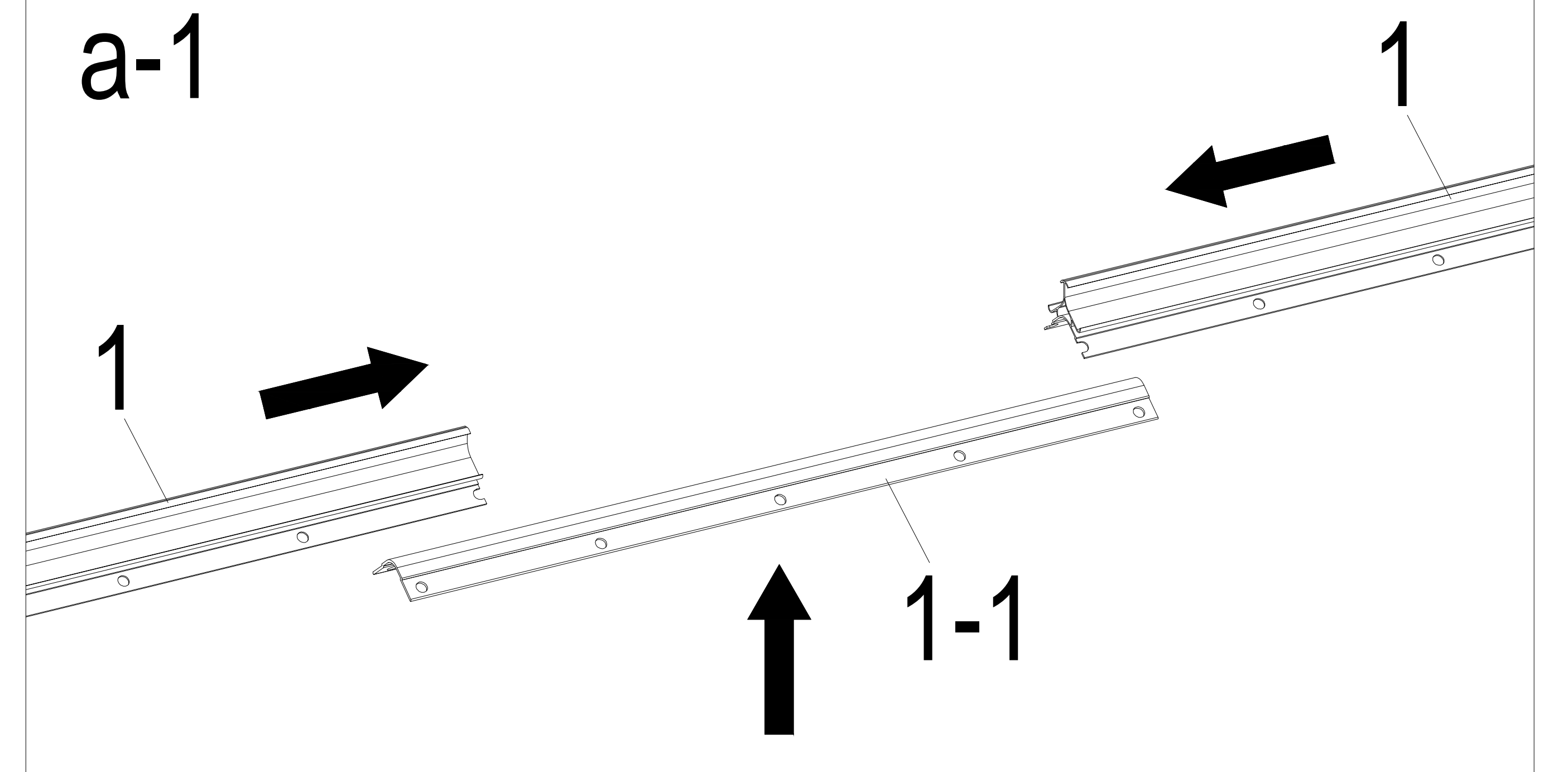
1-1x1



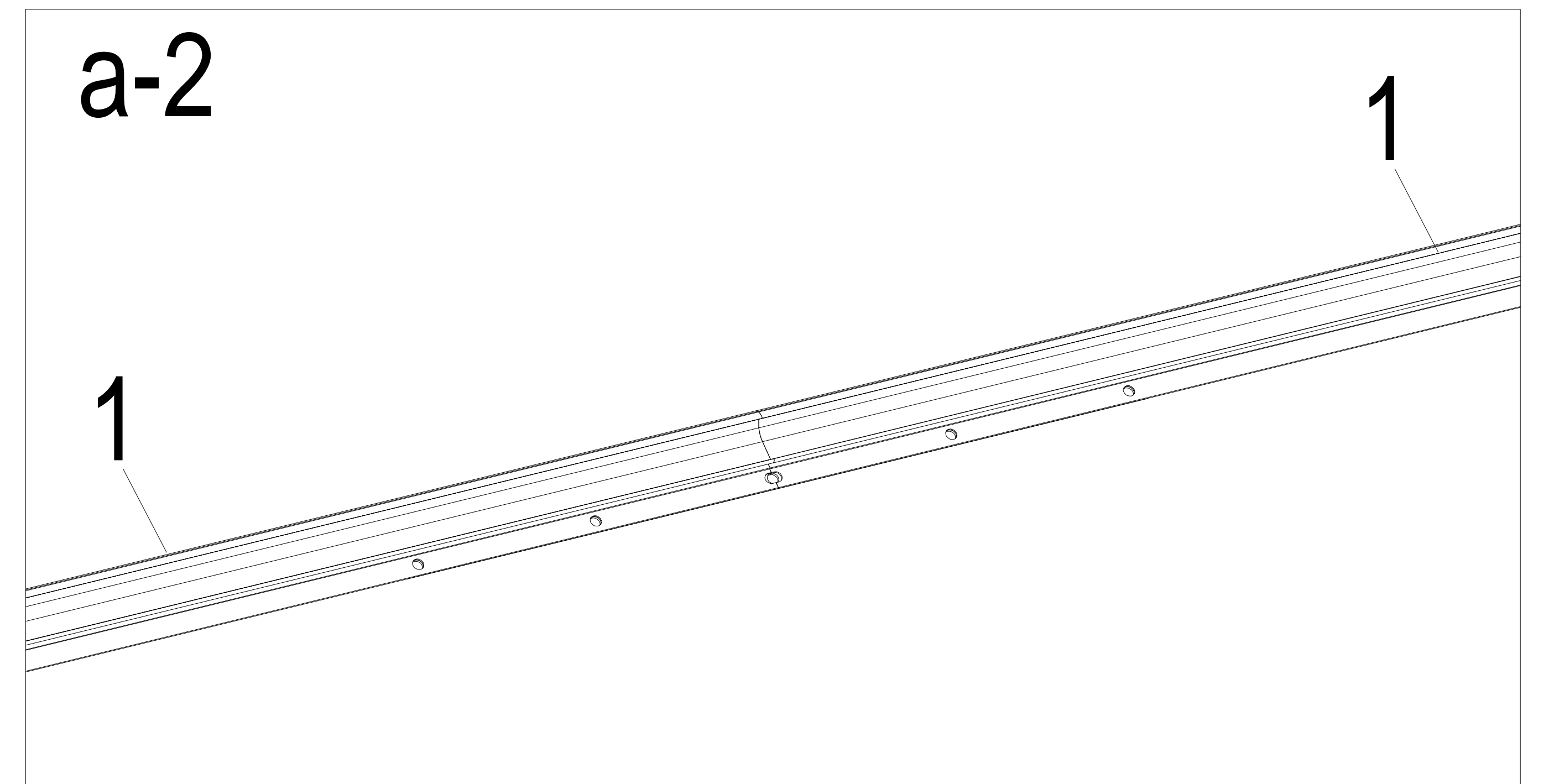
(M5x10)
F8x10



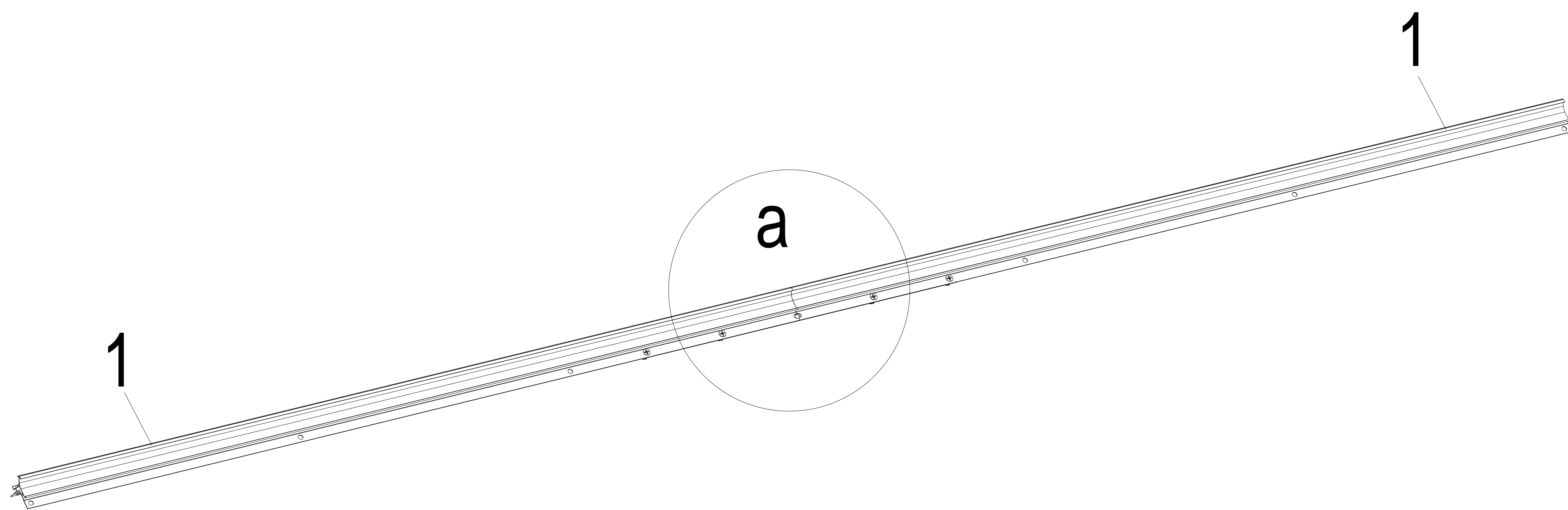
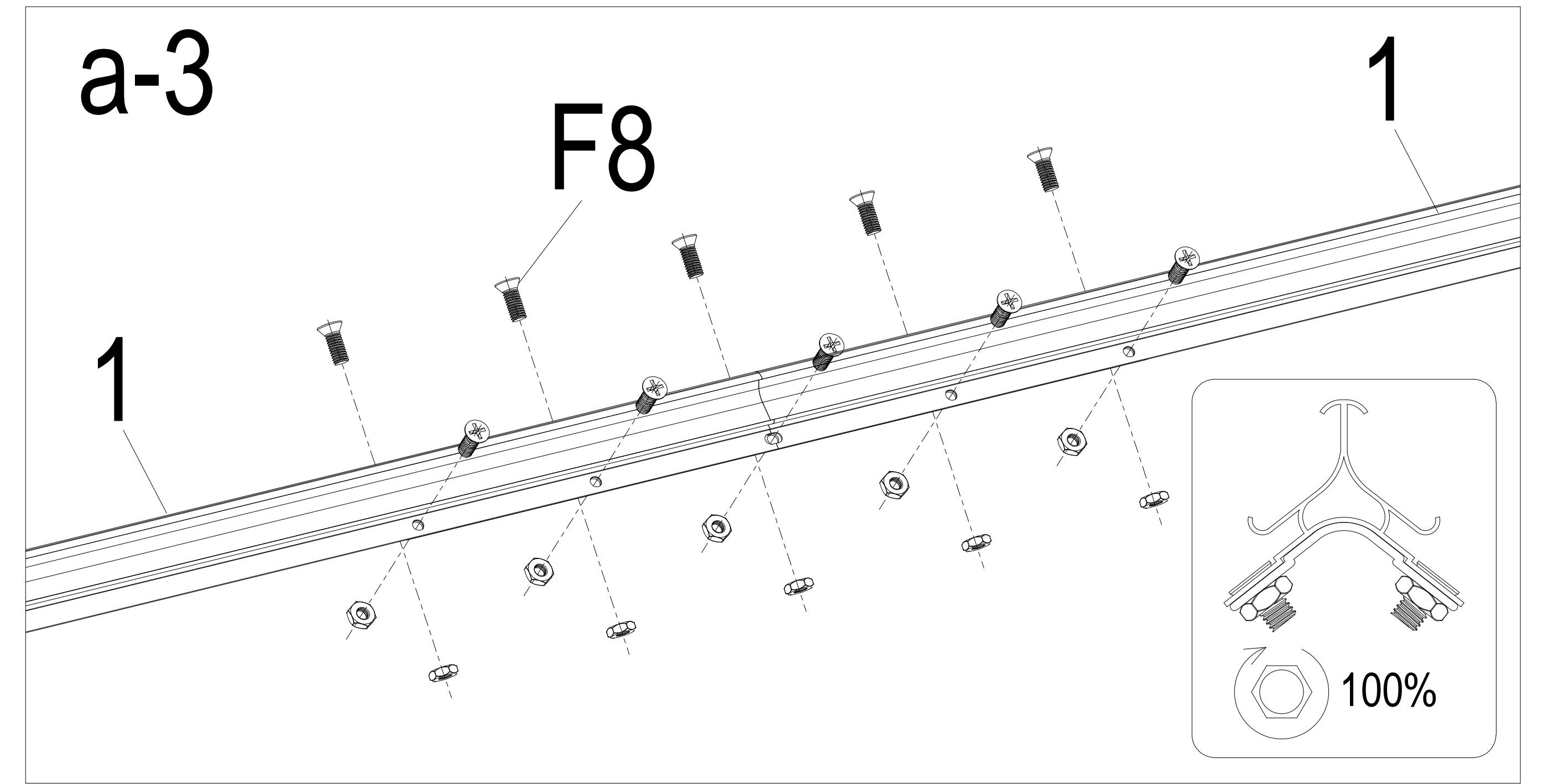
a-1

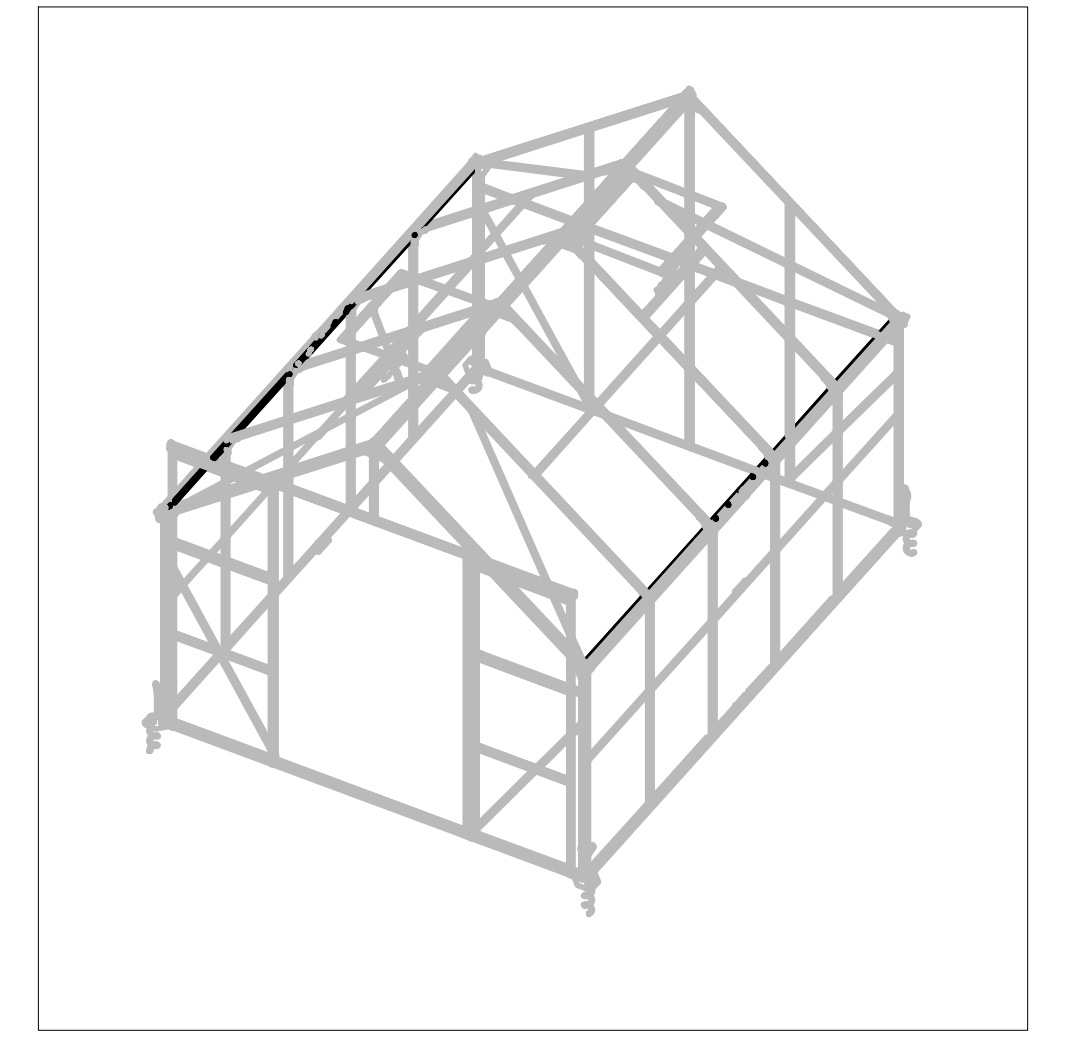
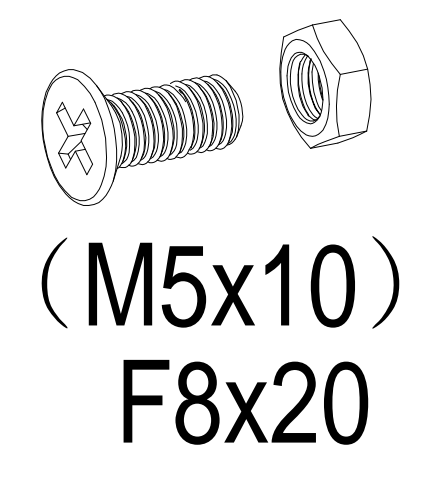
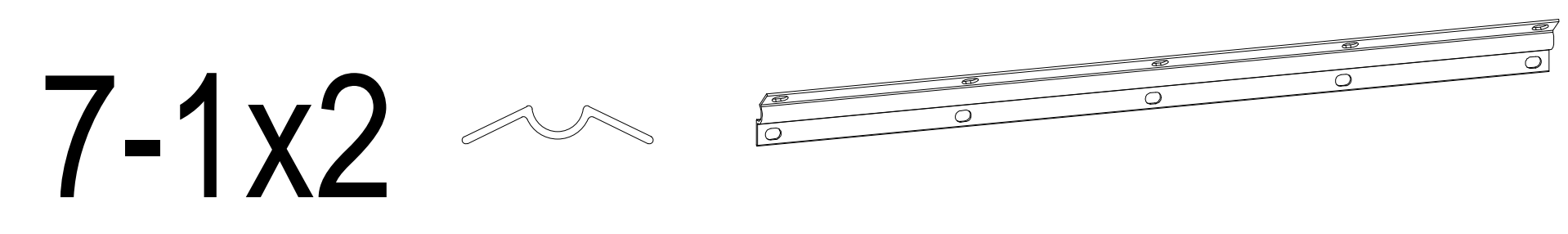
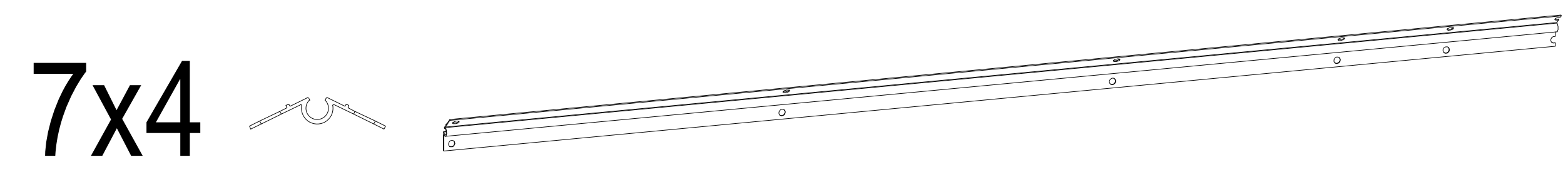


a-2



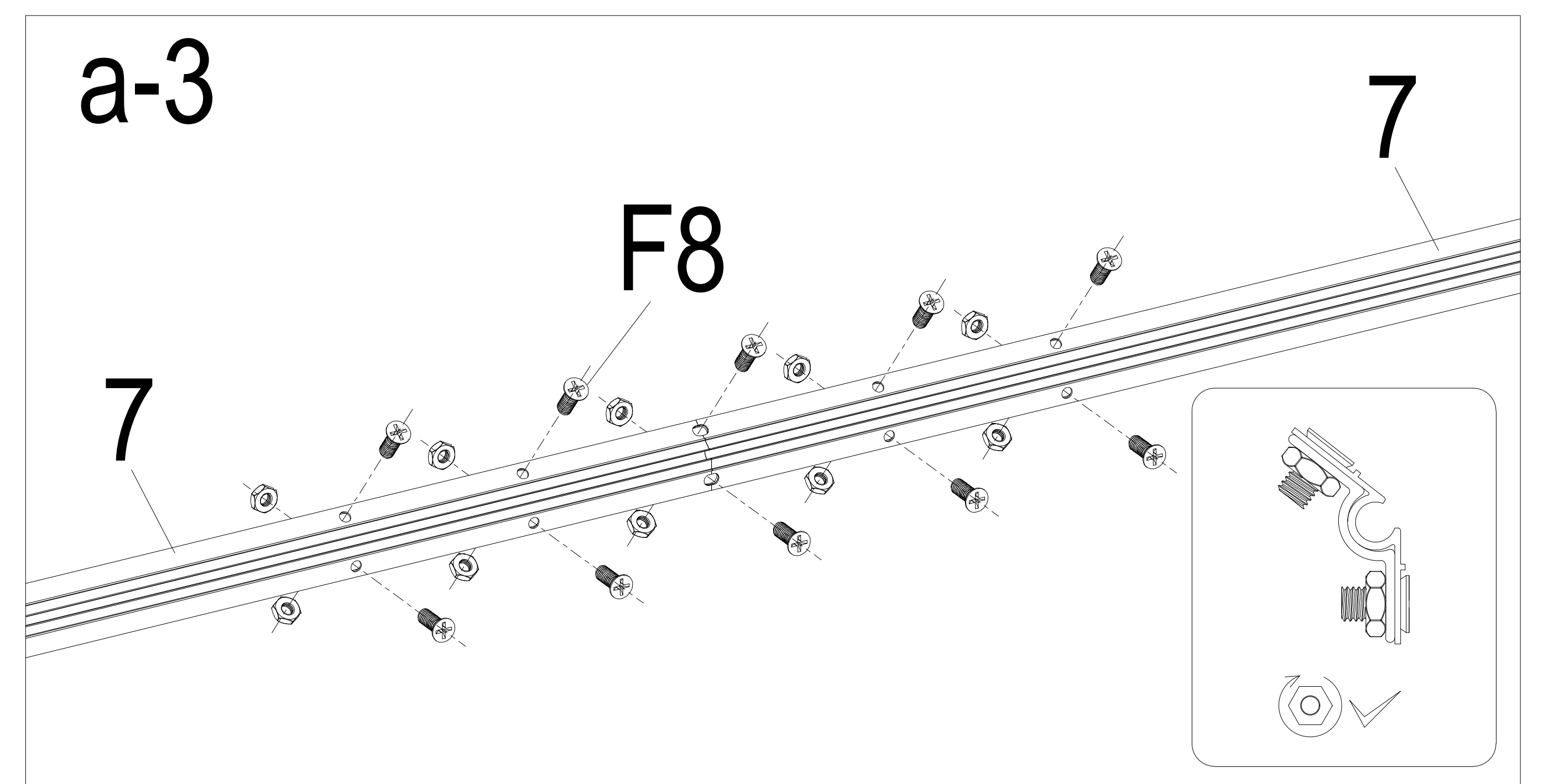
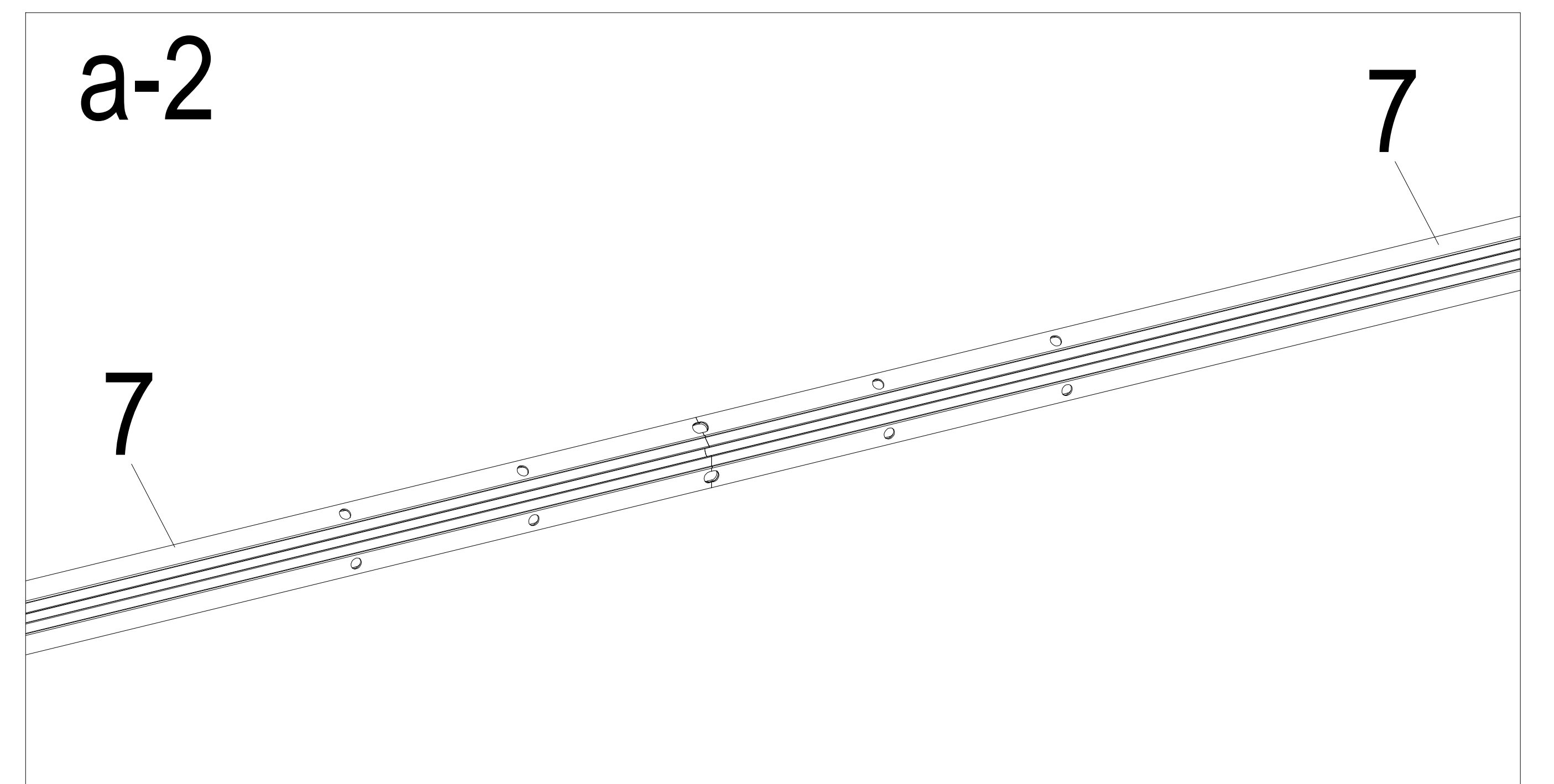
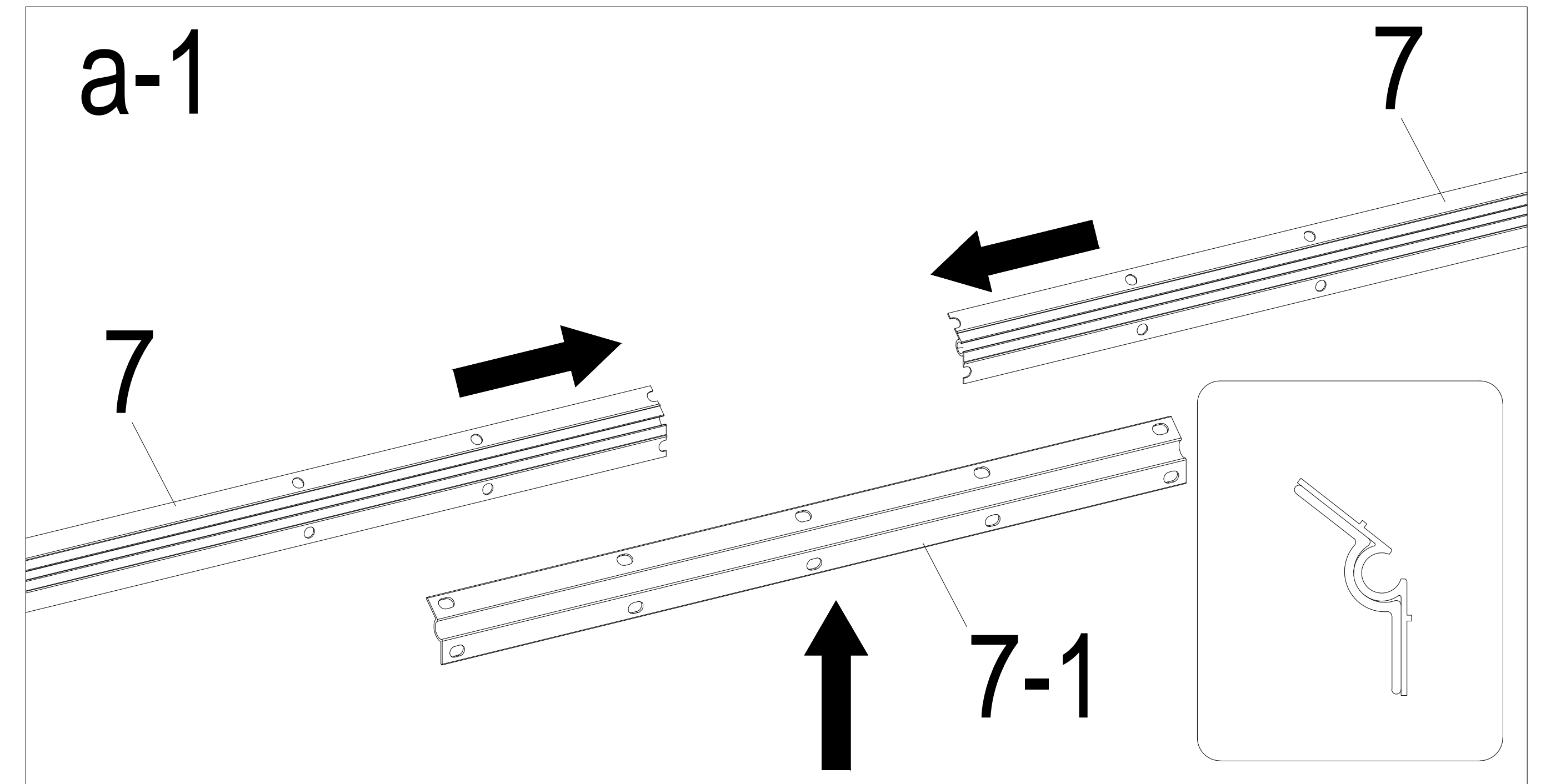
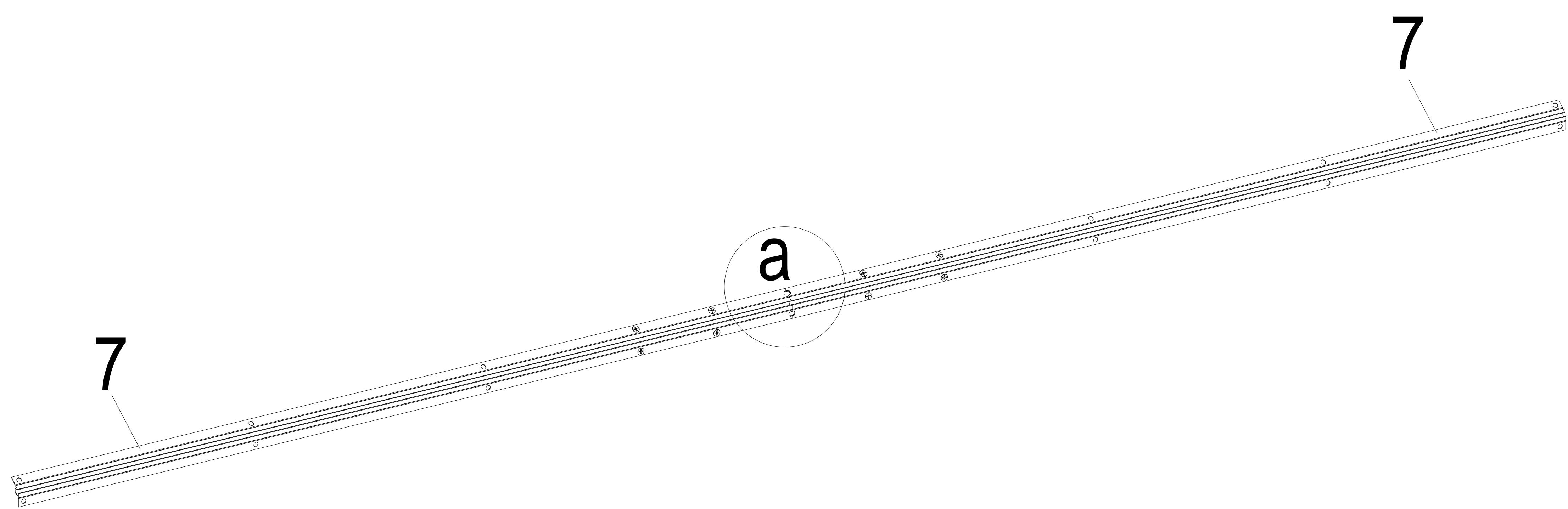
a-3



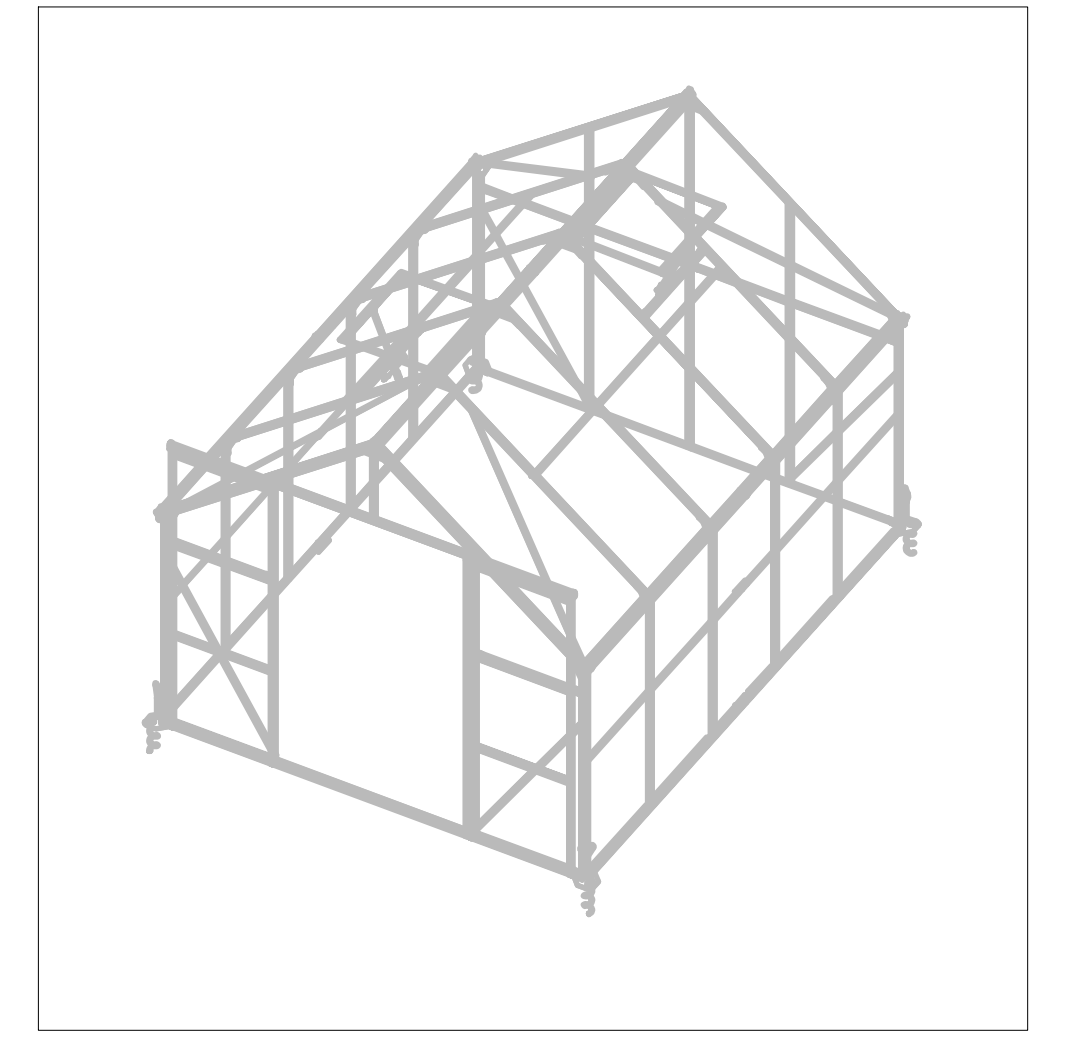


a.

x2

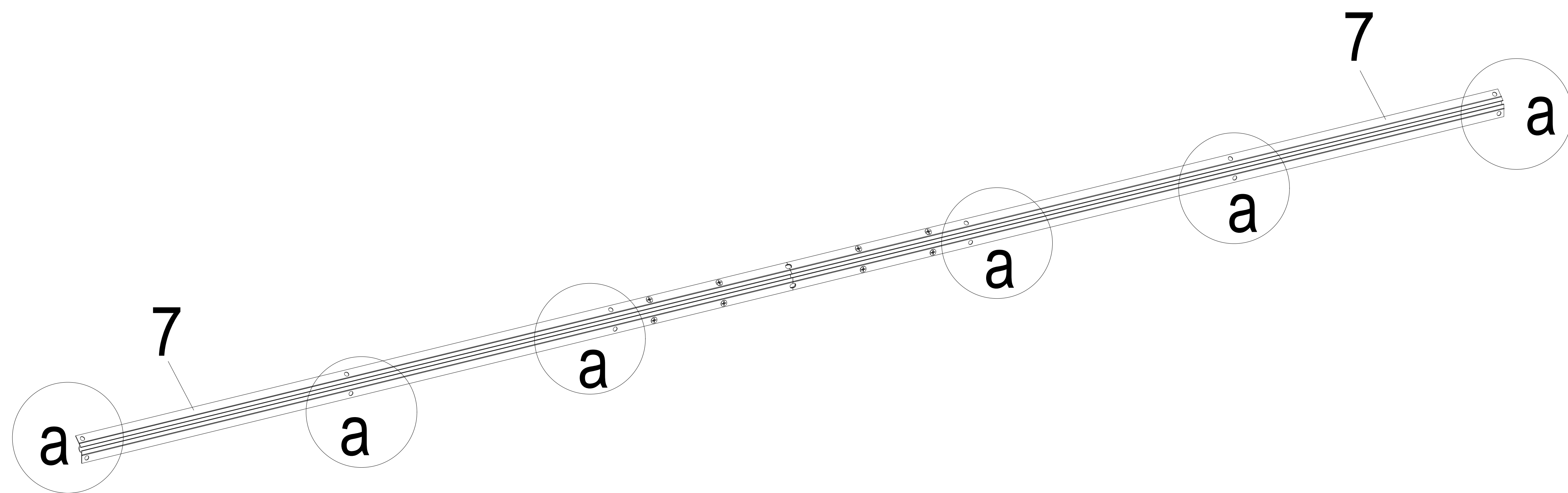


(M5x10)
F4x24

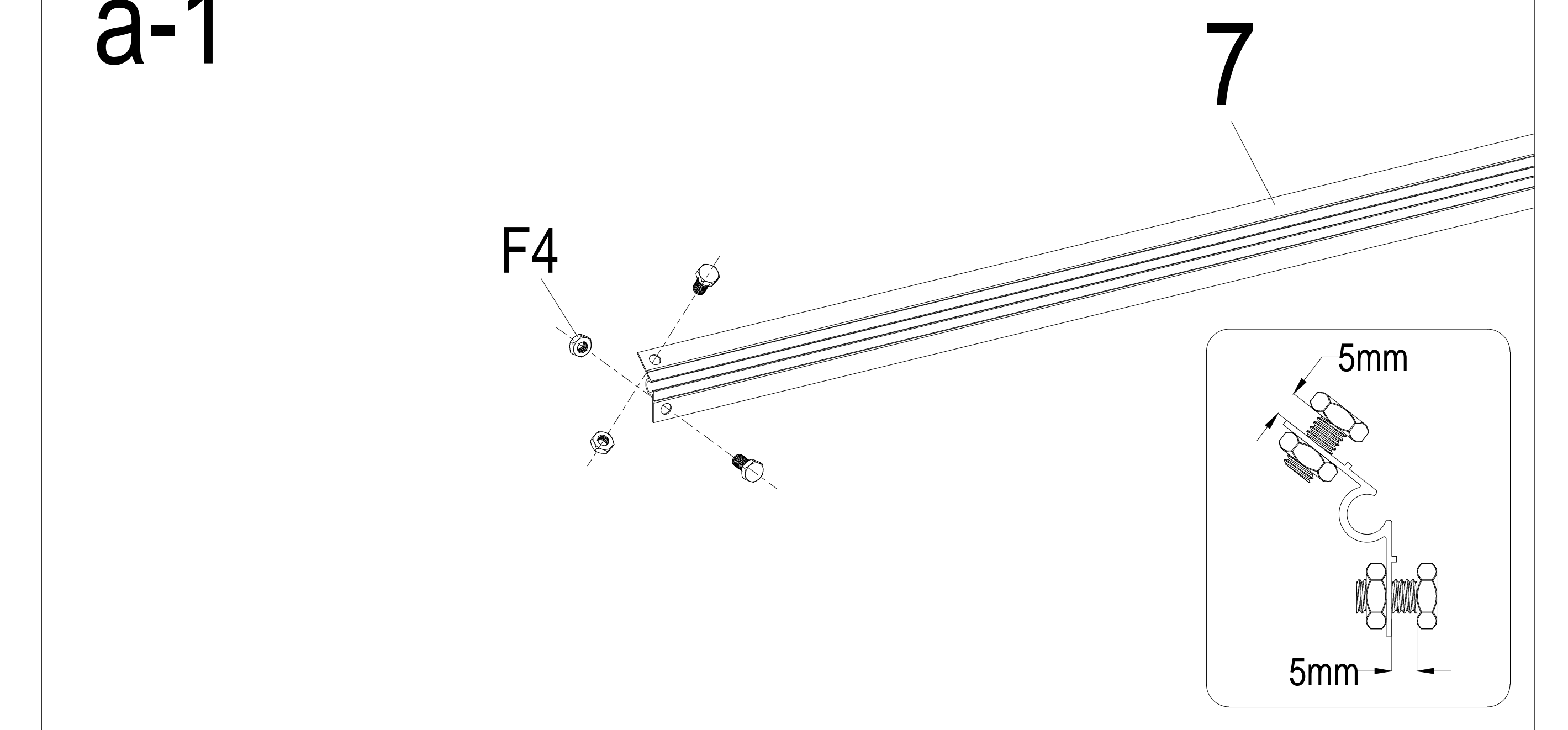


a.

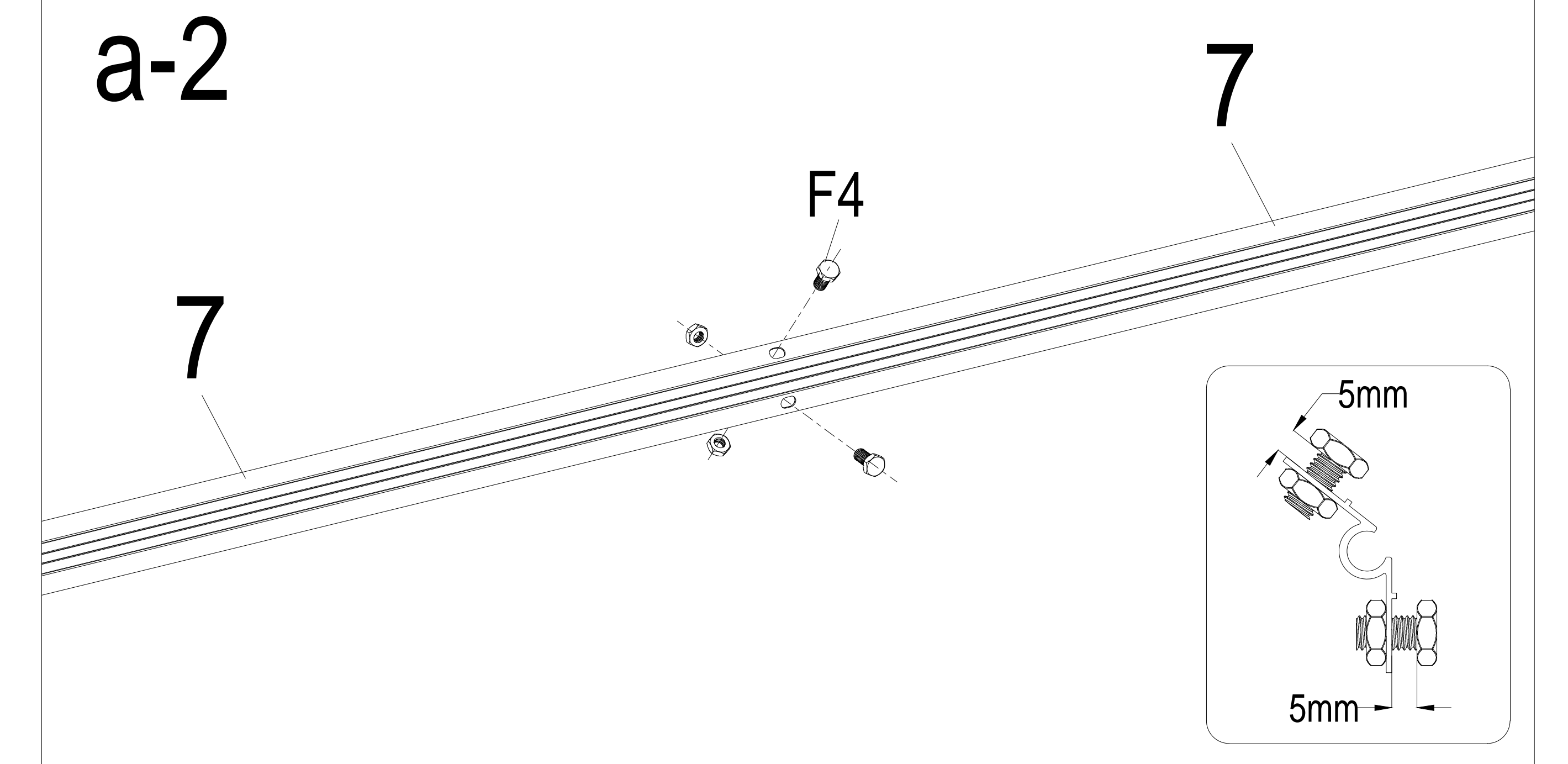
x2

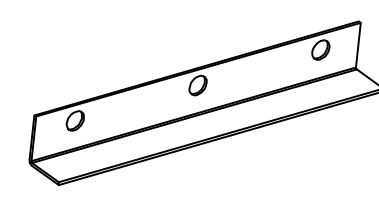
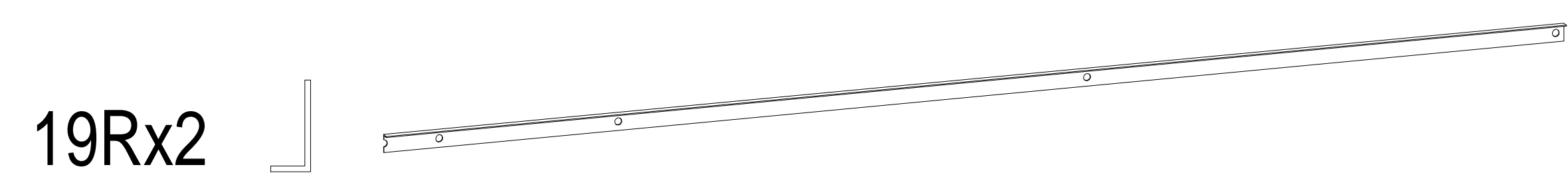
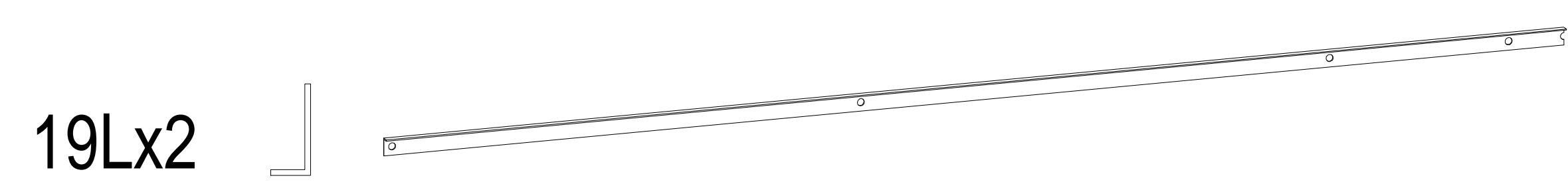


a-1

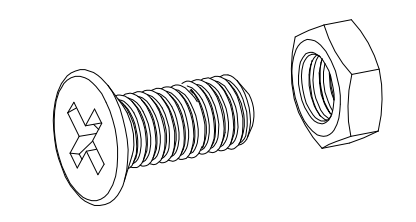


a-2

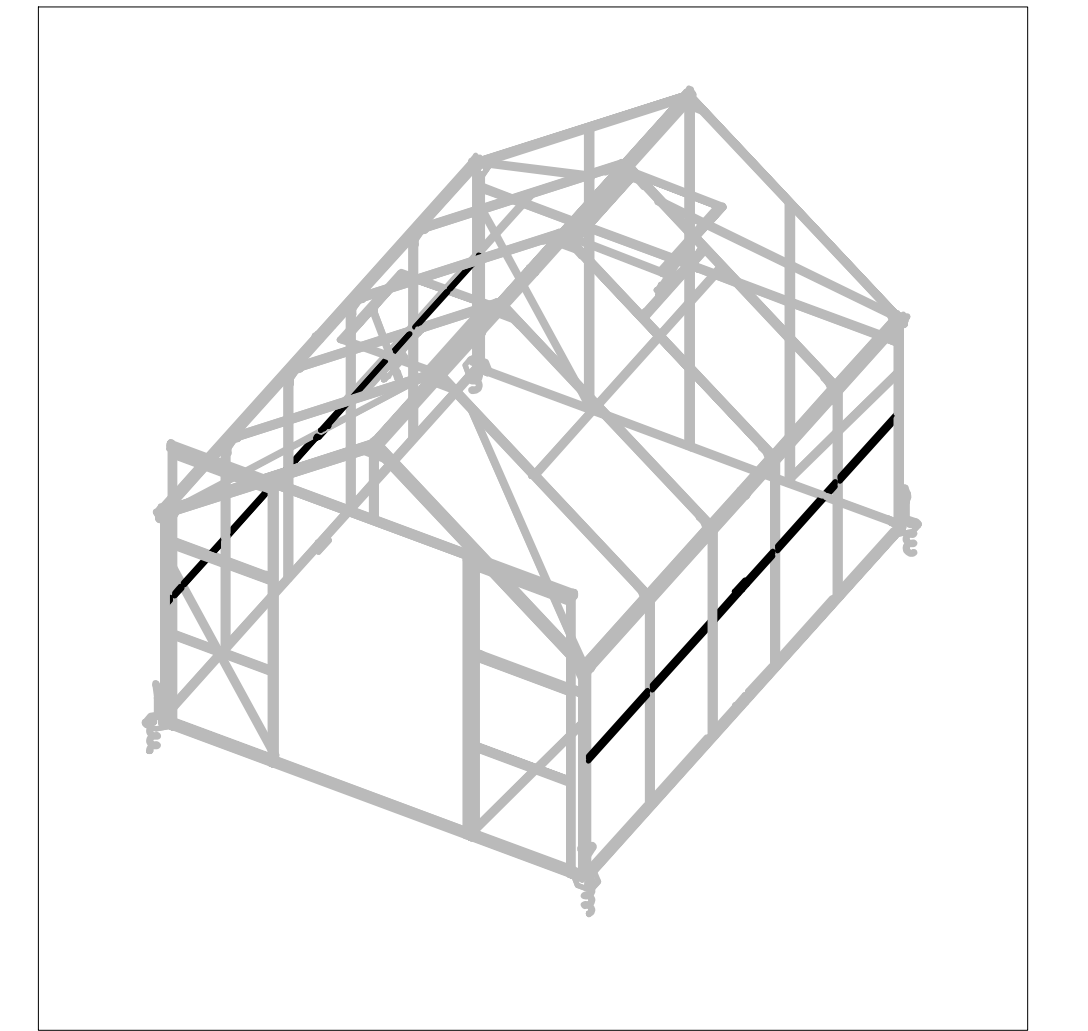




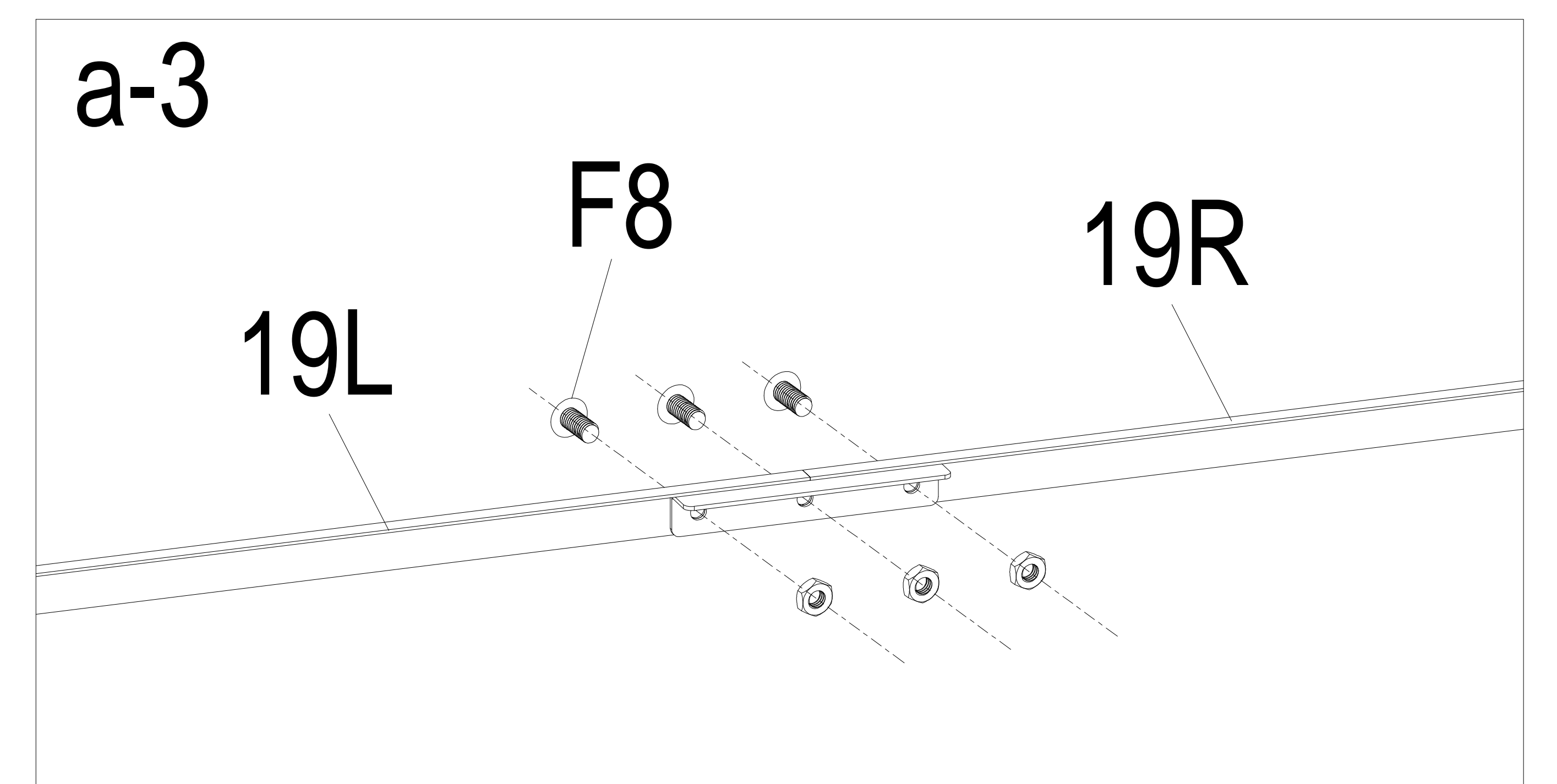
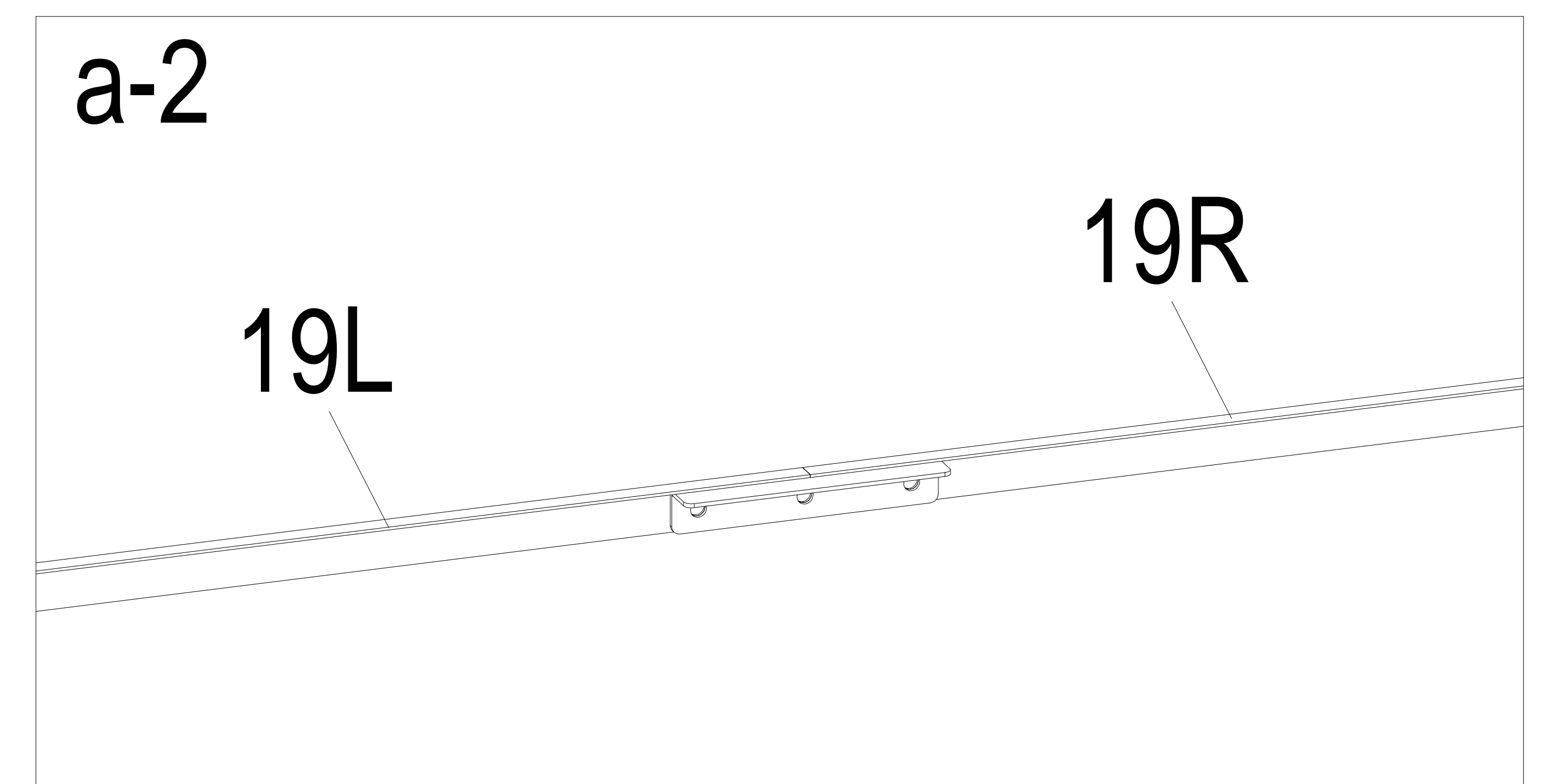
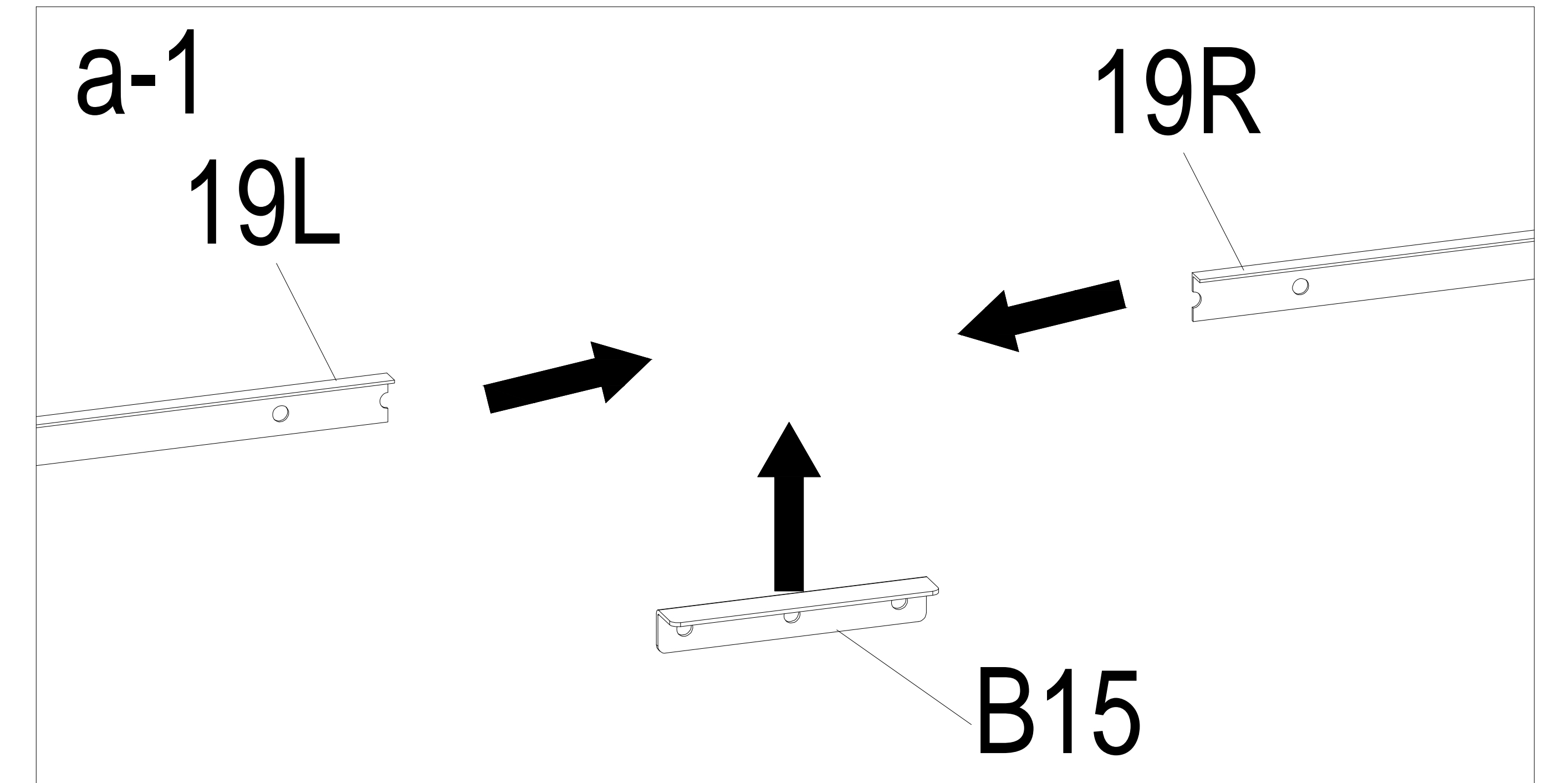
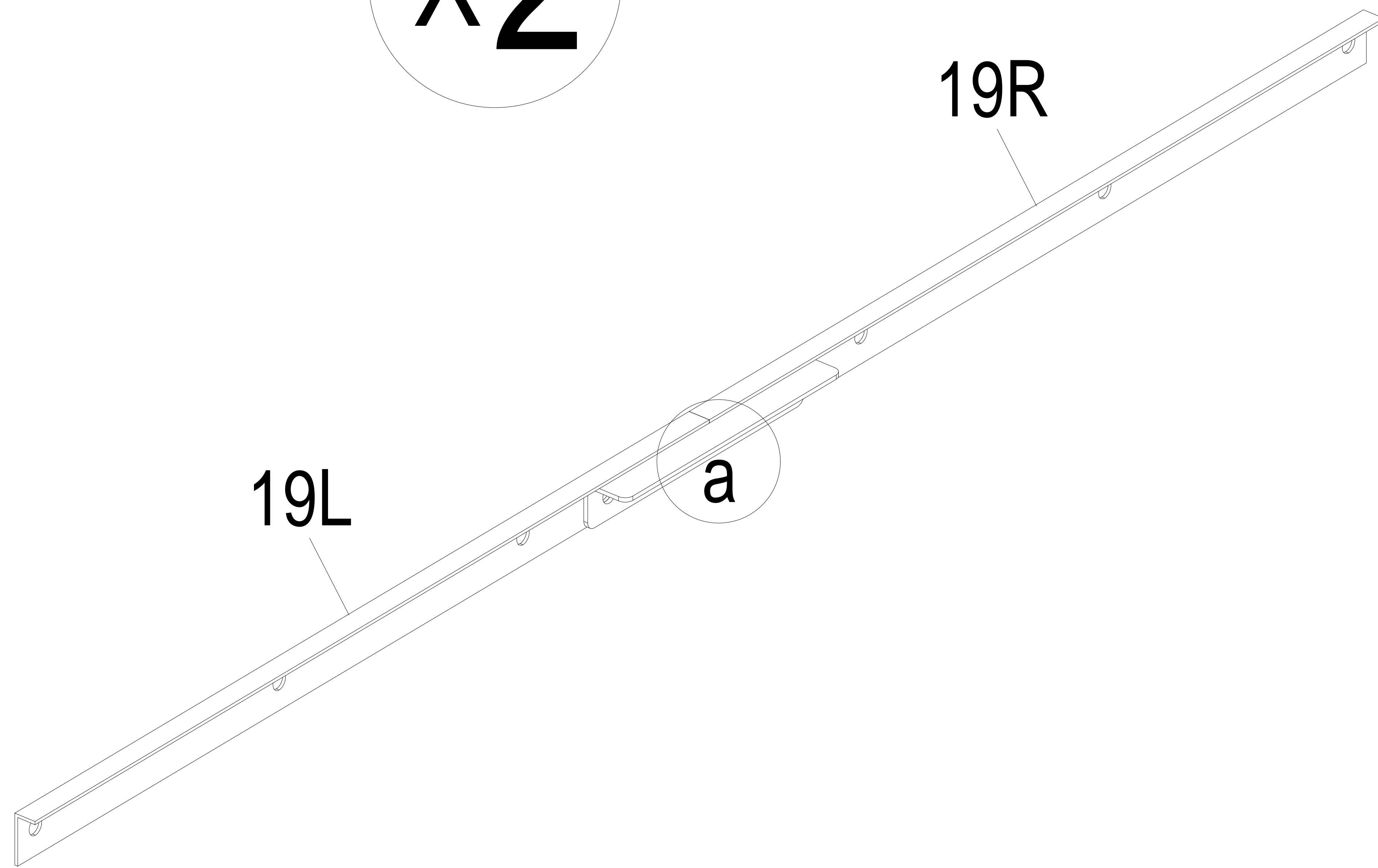
B15x2

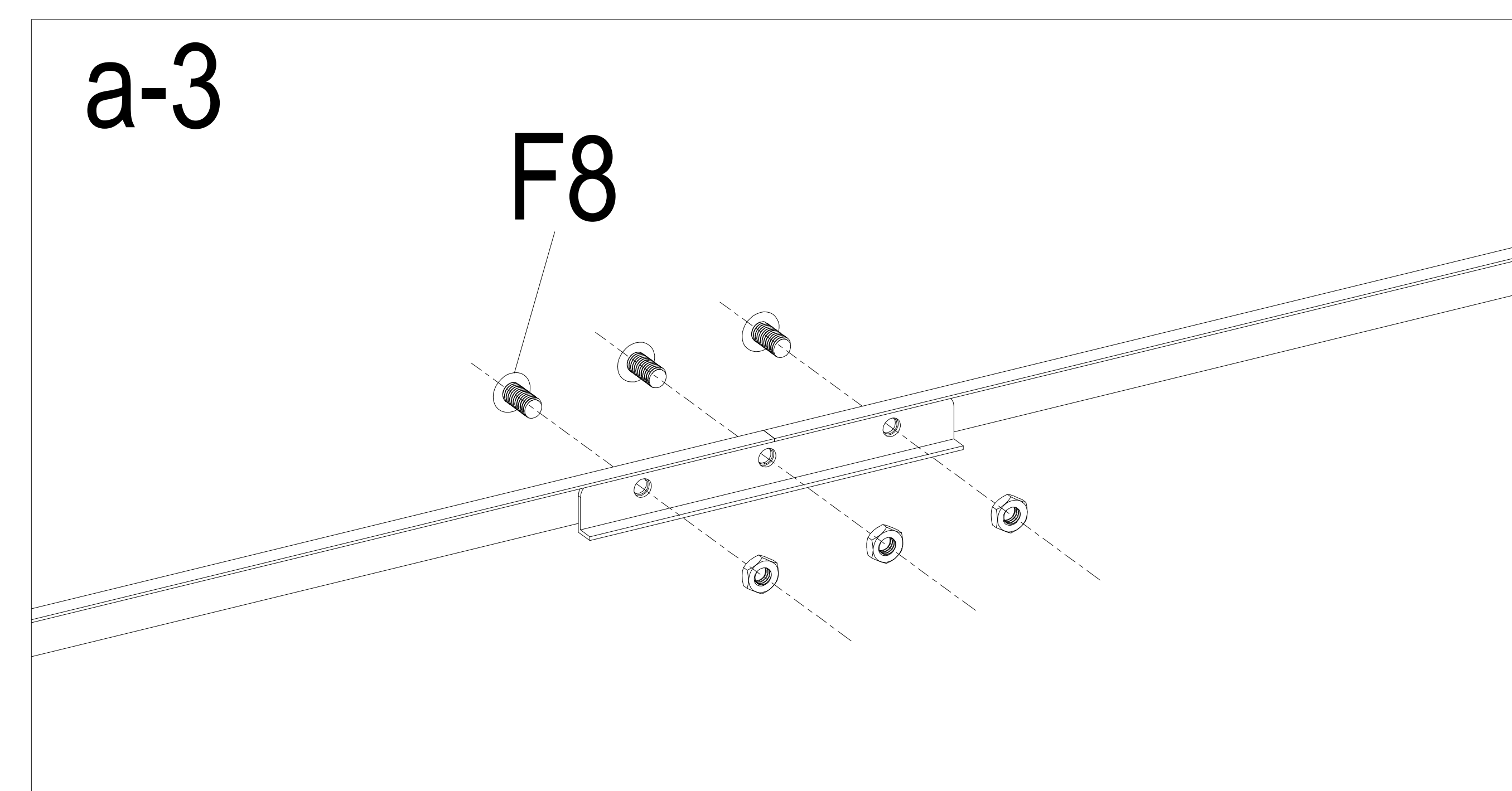
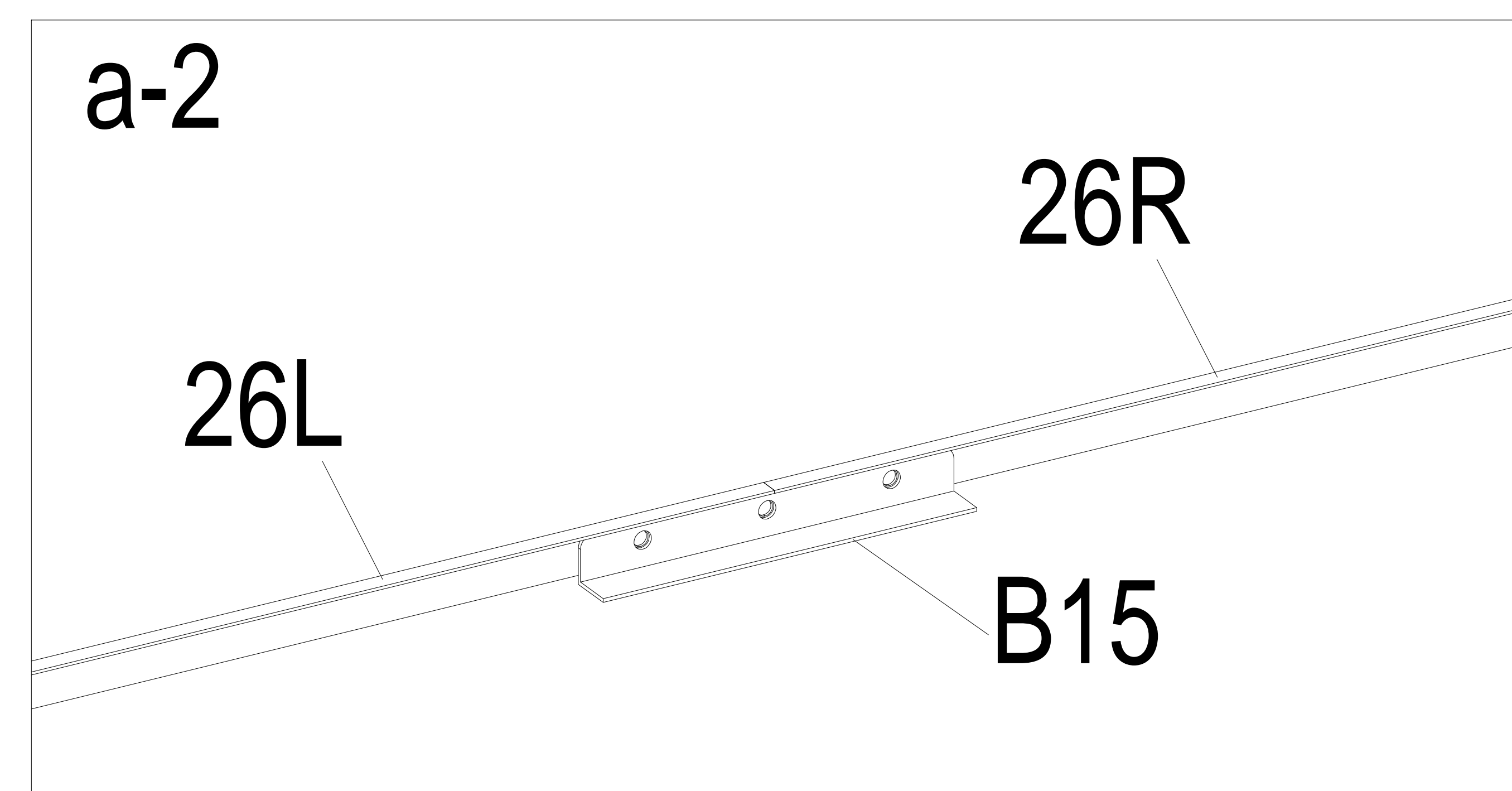
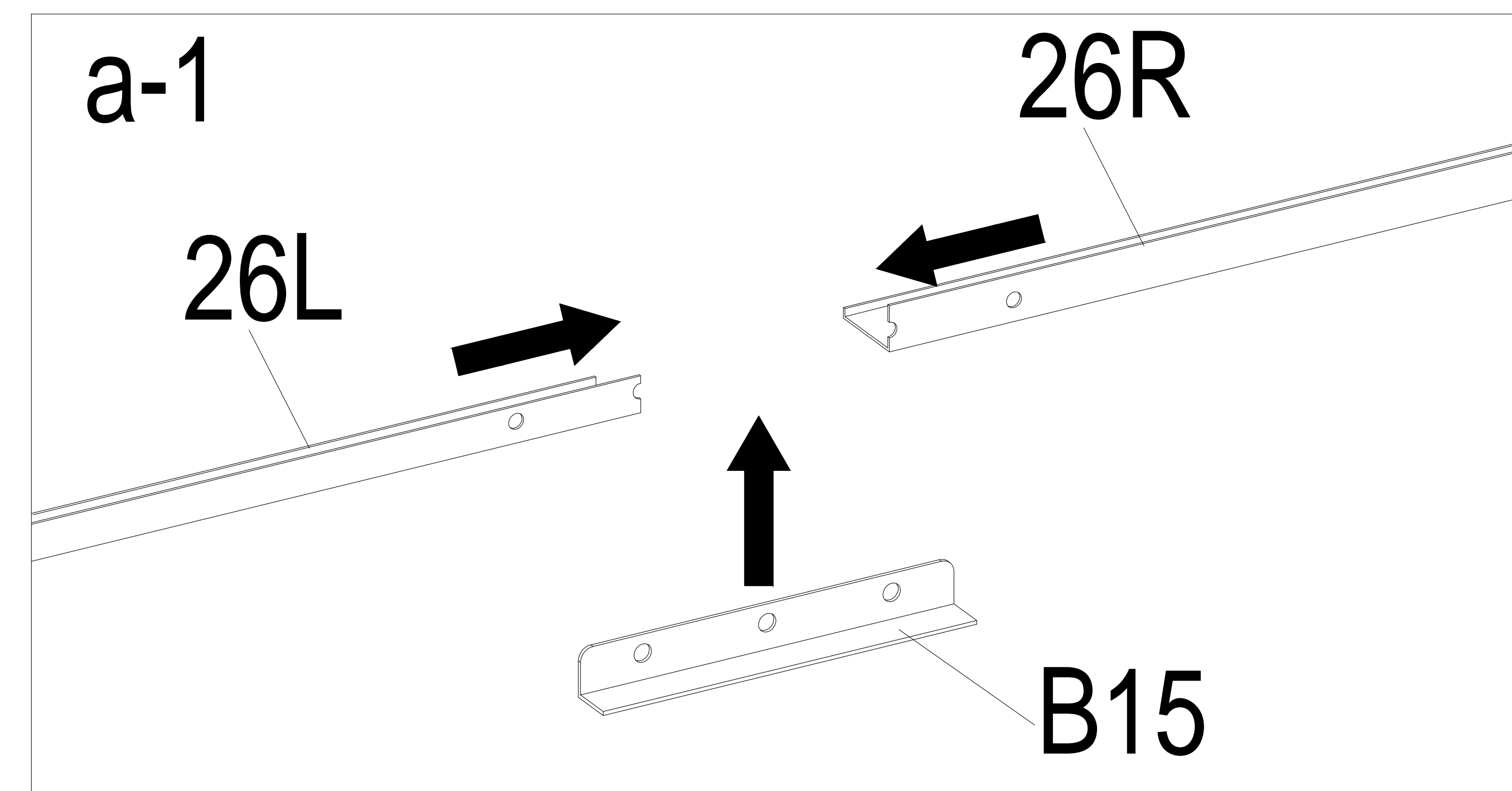
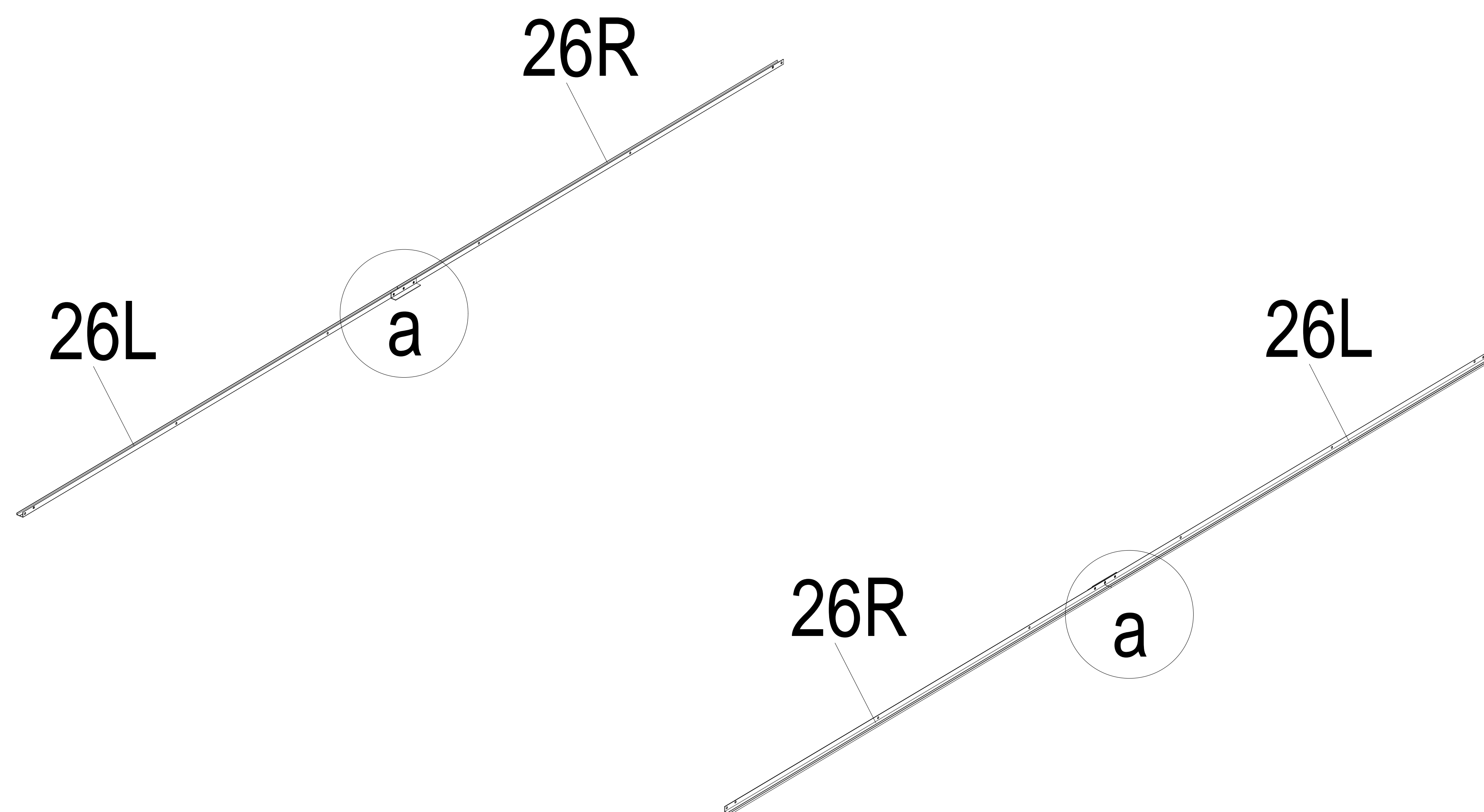
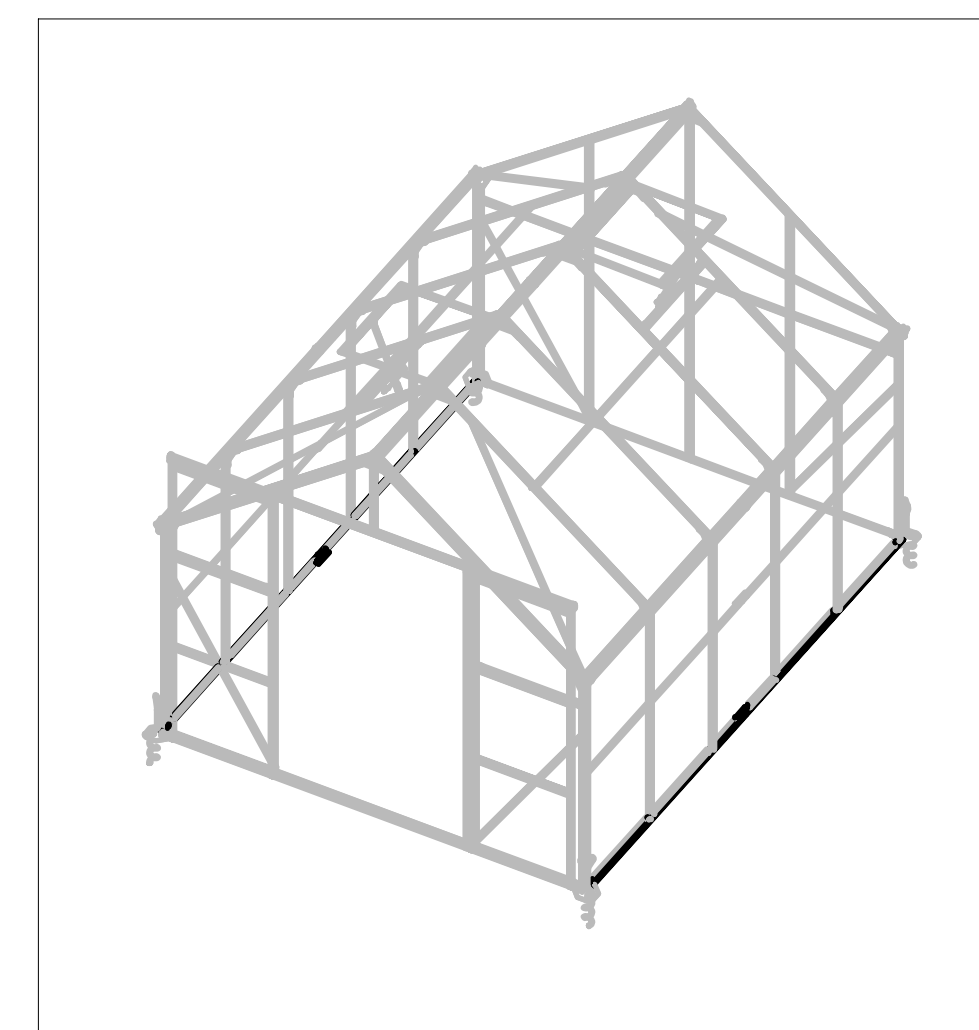
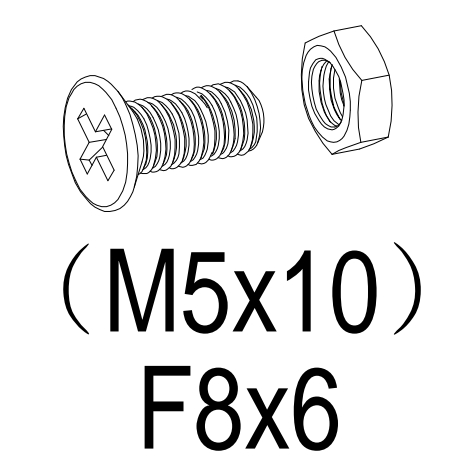
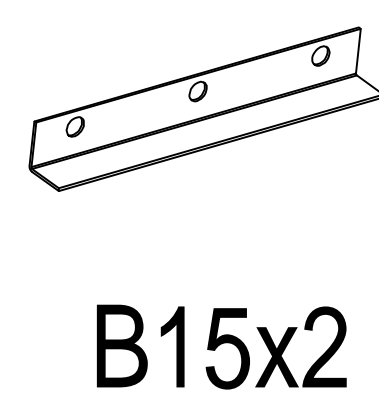
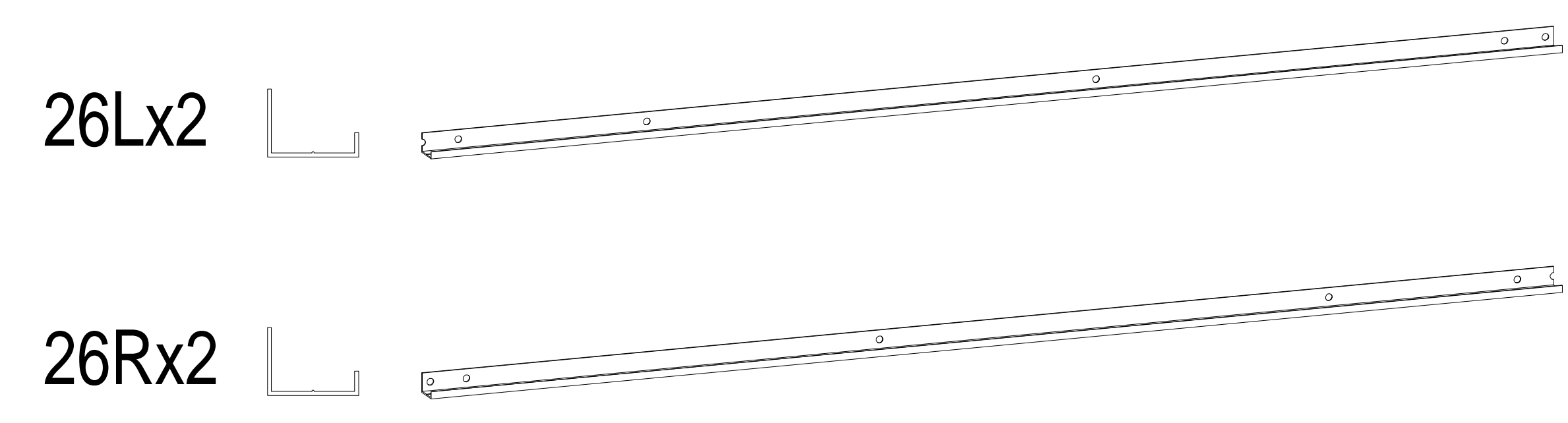


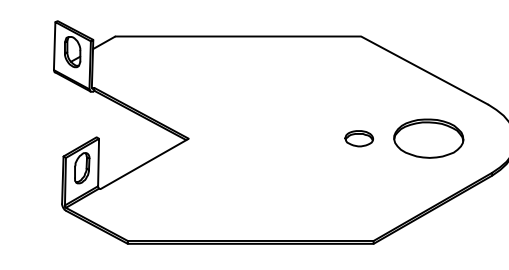
(M5x10)
F8x6



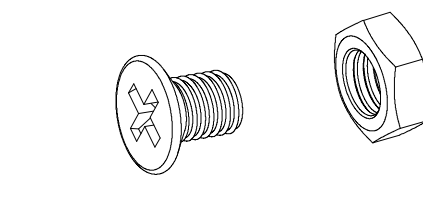
x2



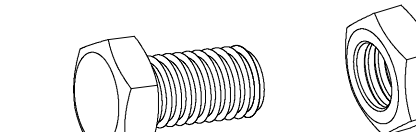




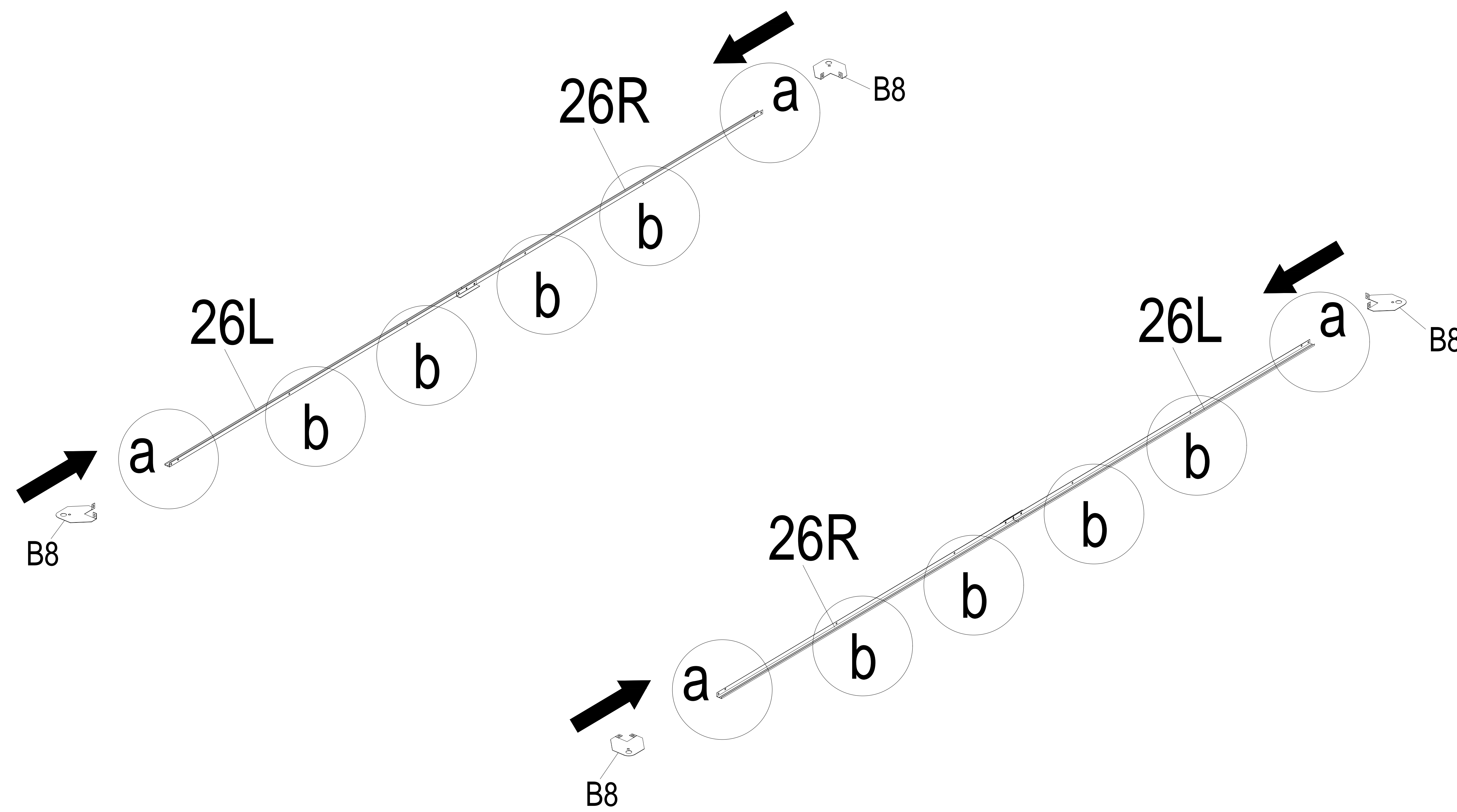
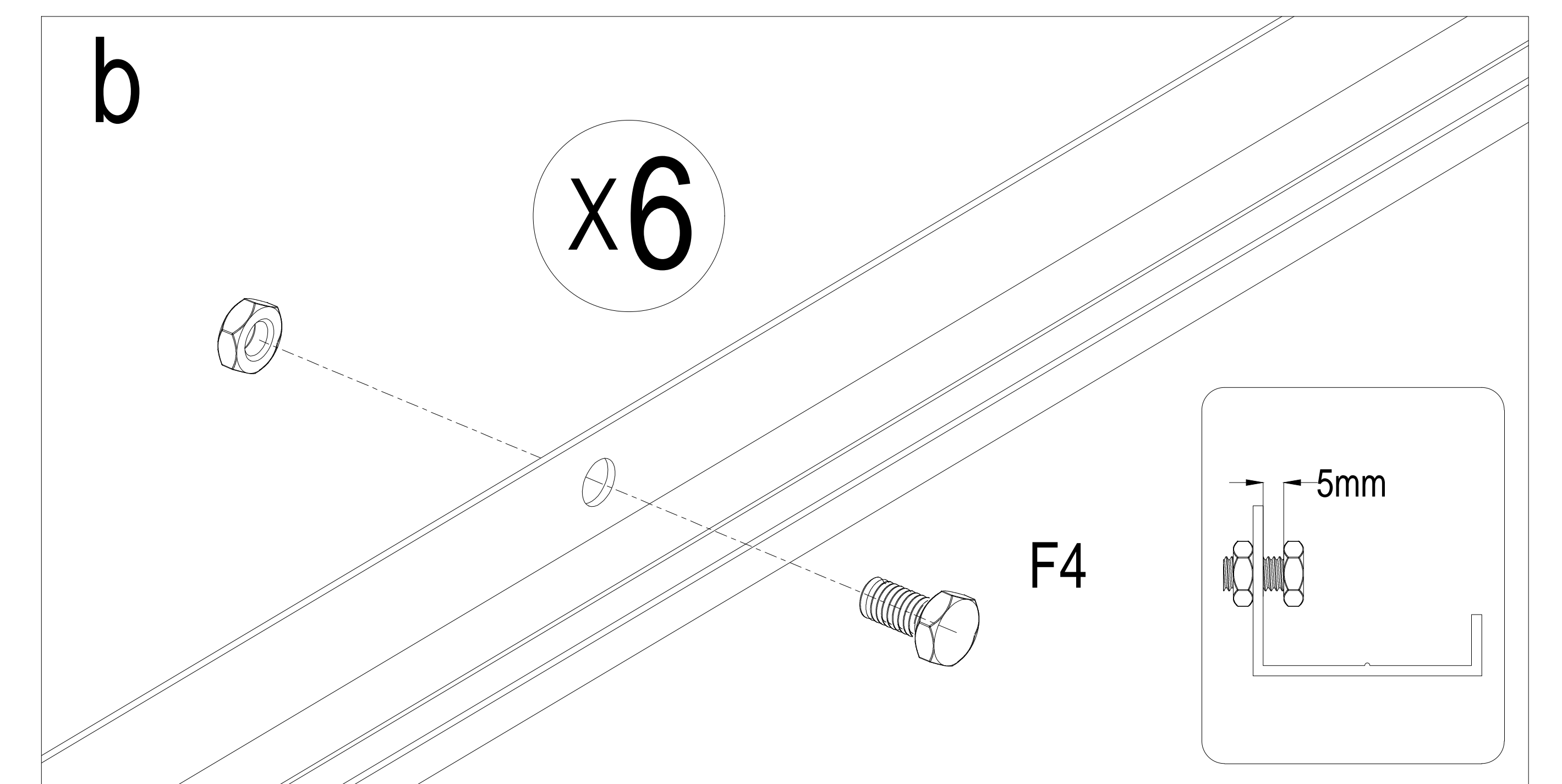
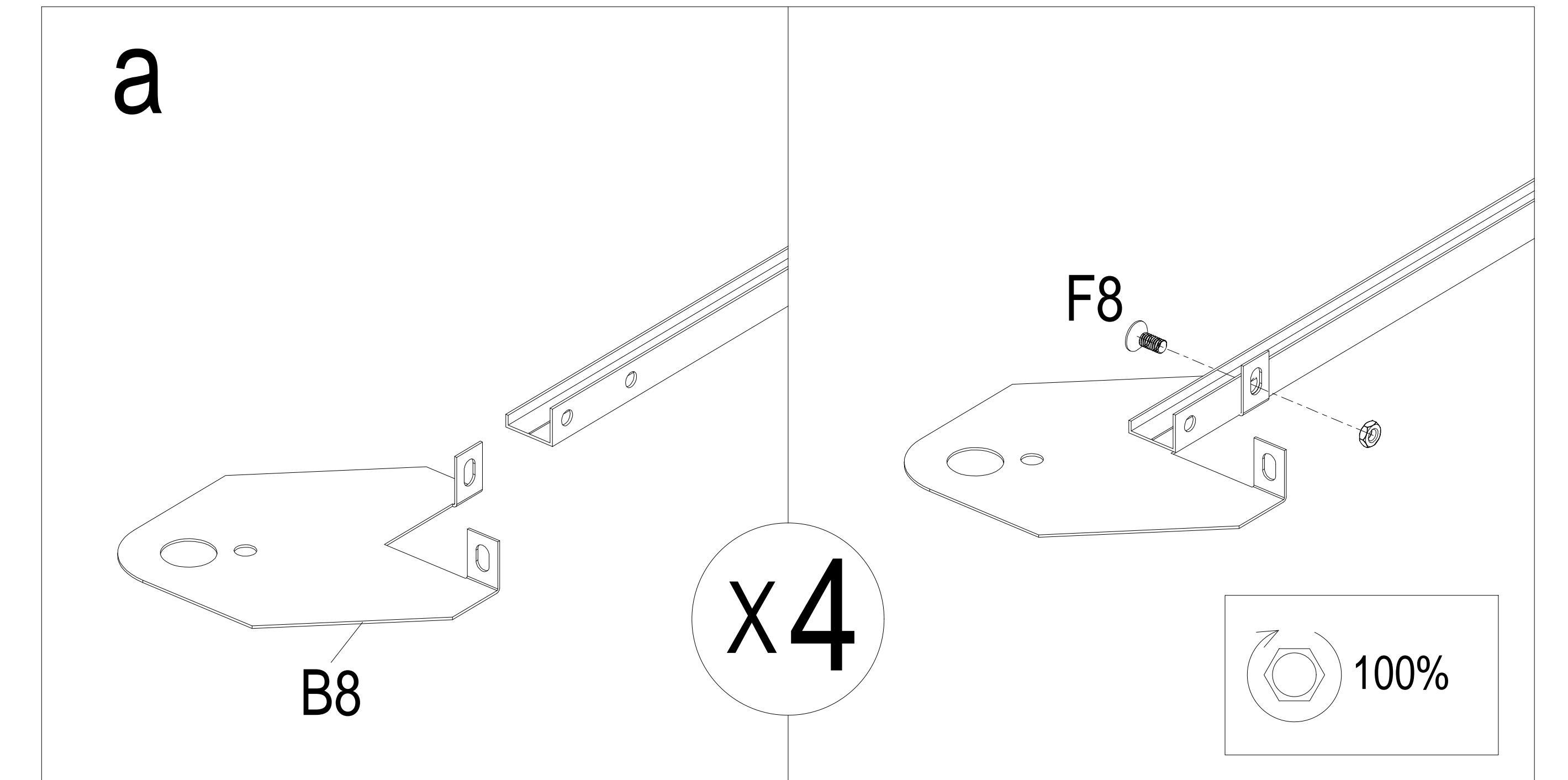
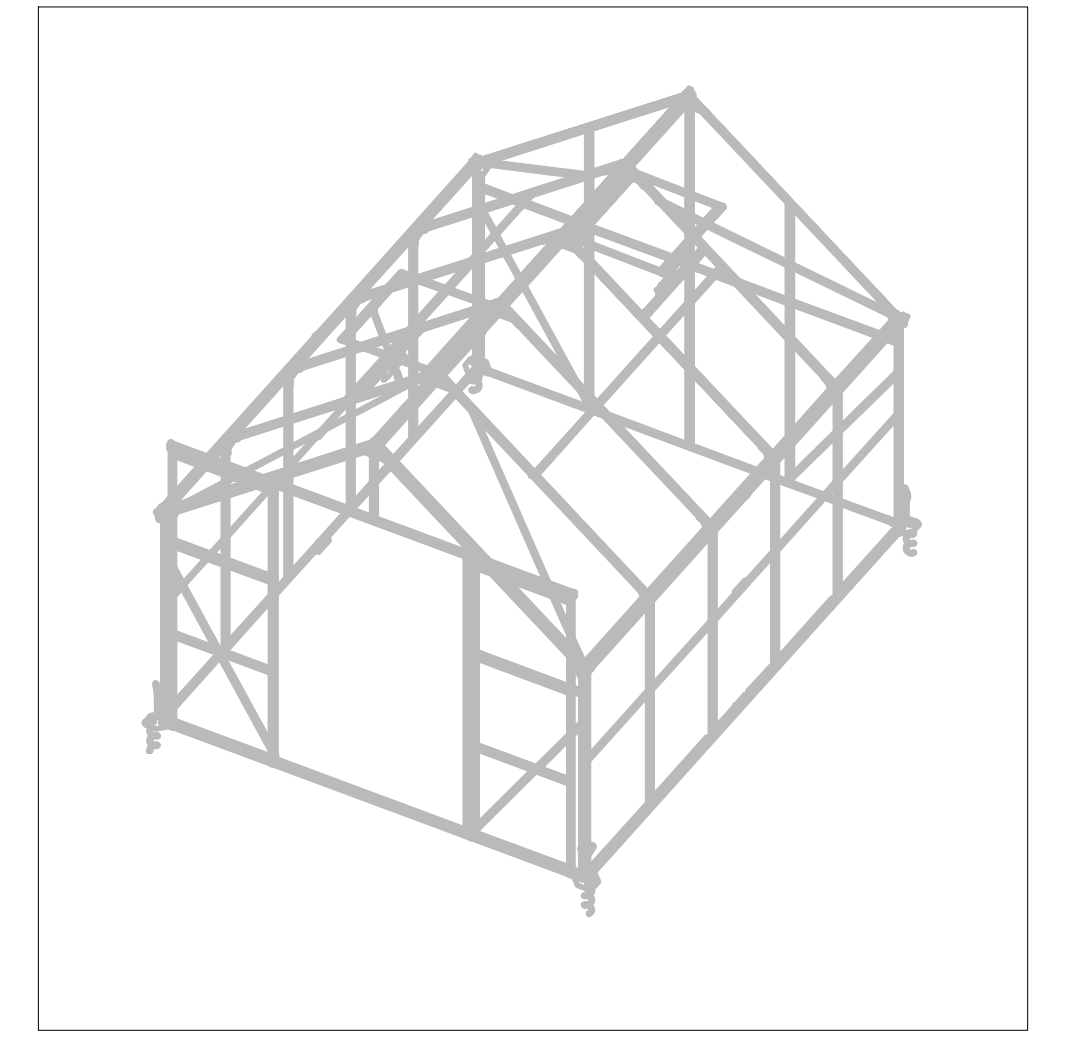
B8x4



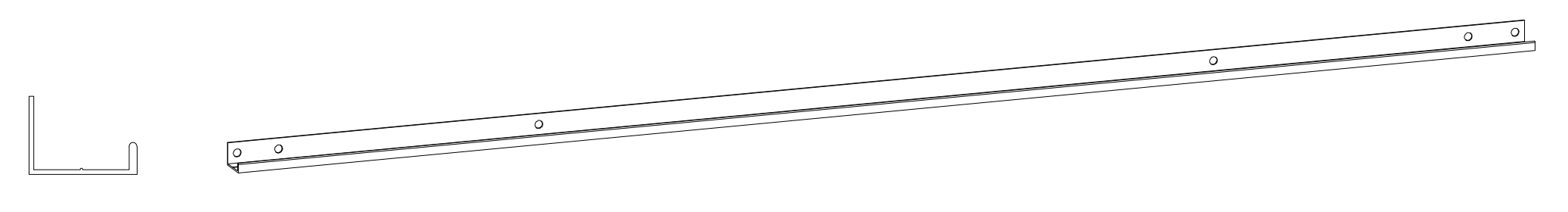
(M5x10)
F8x4



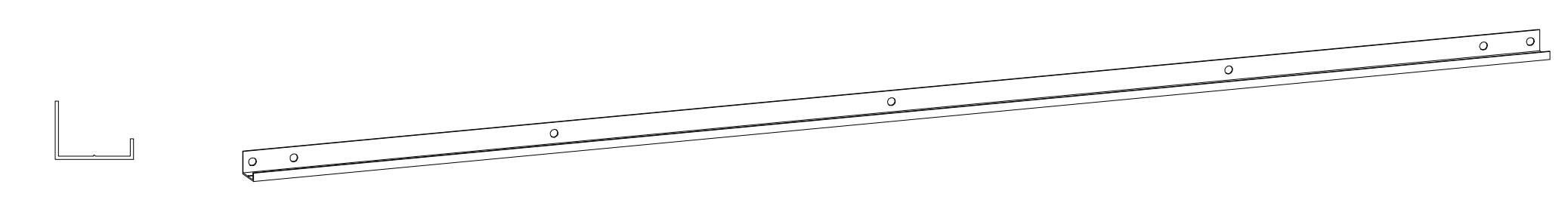
(M5x10)
F4x8



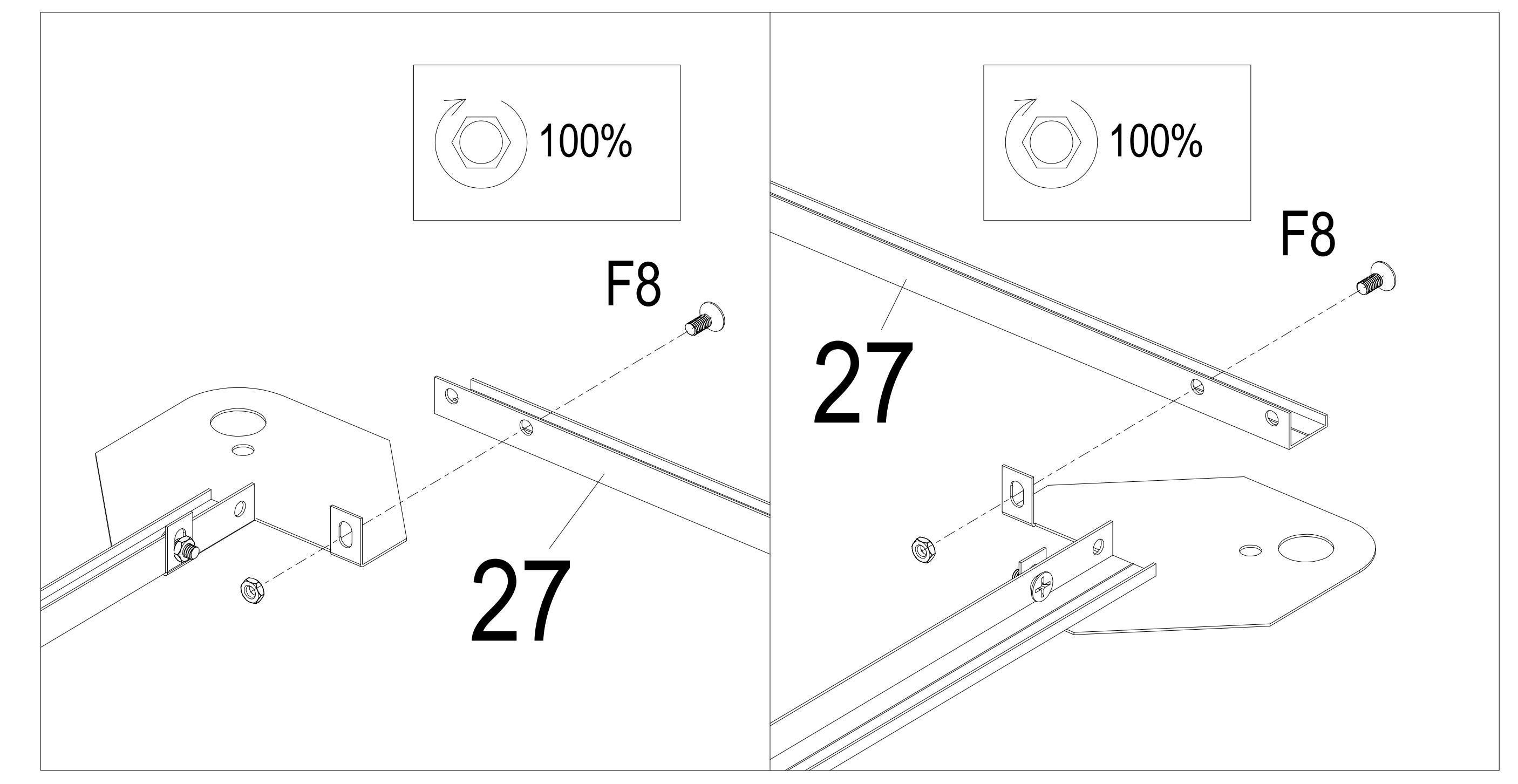
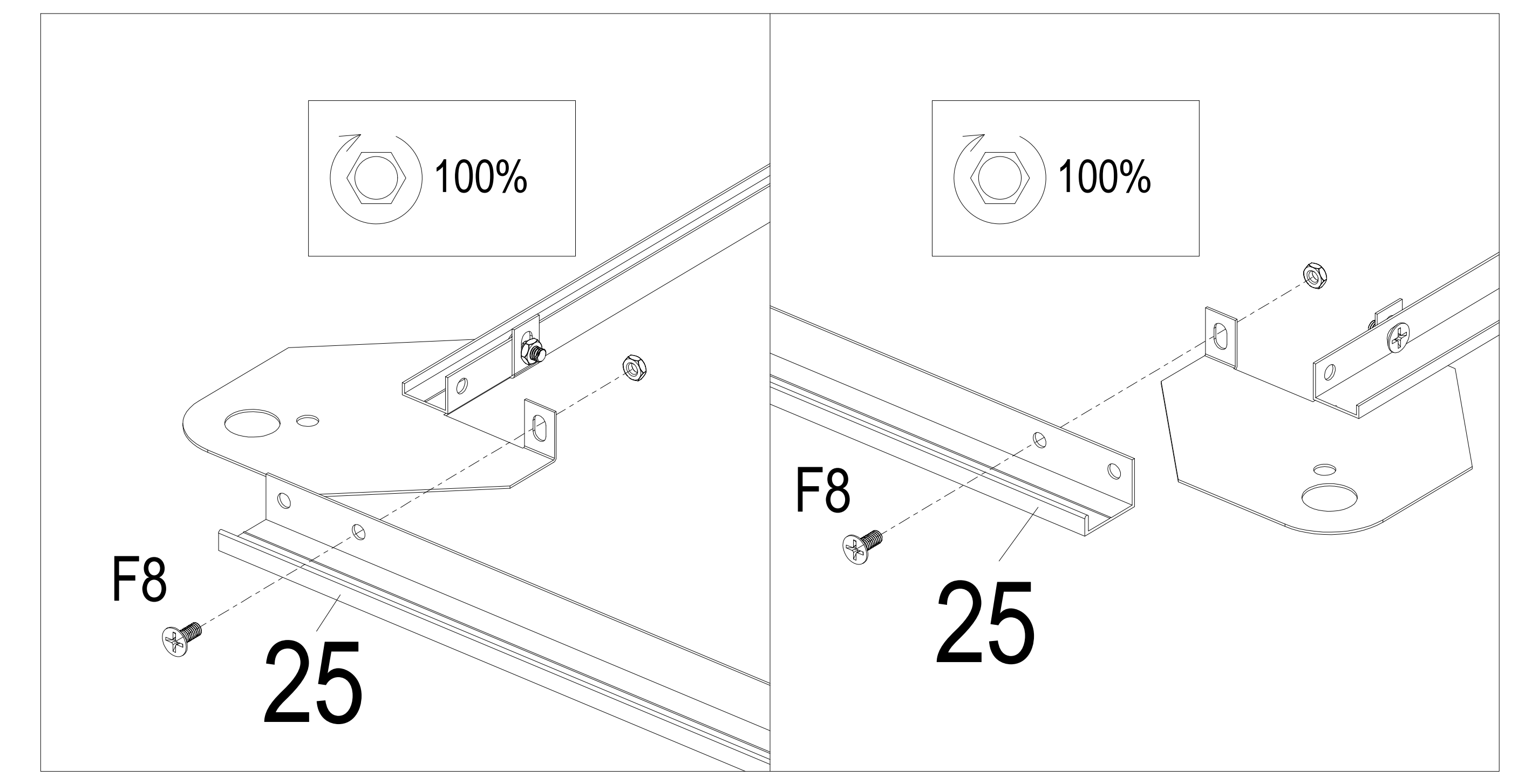
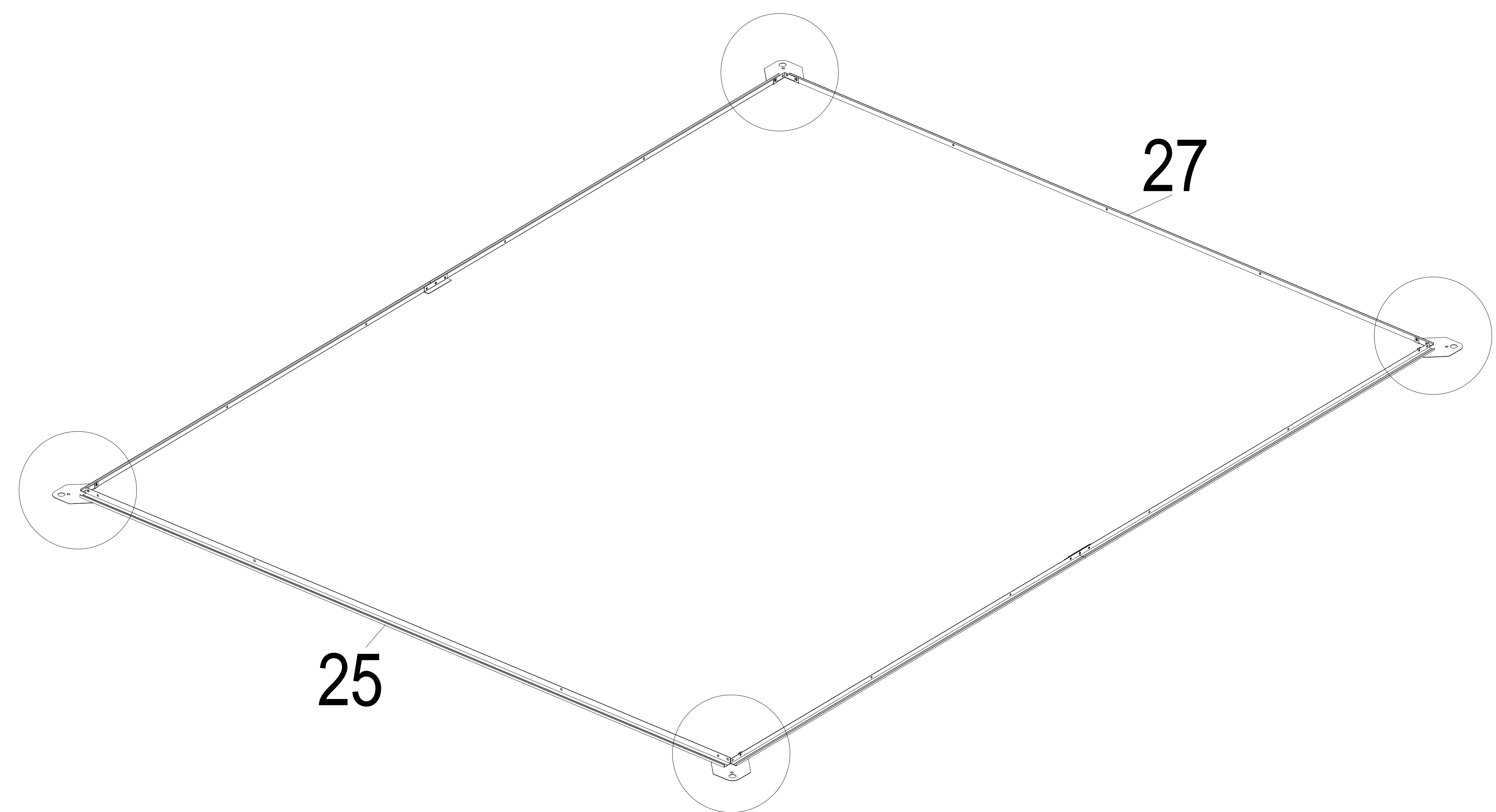
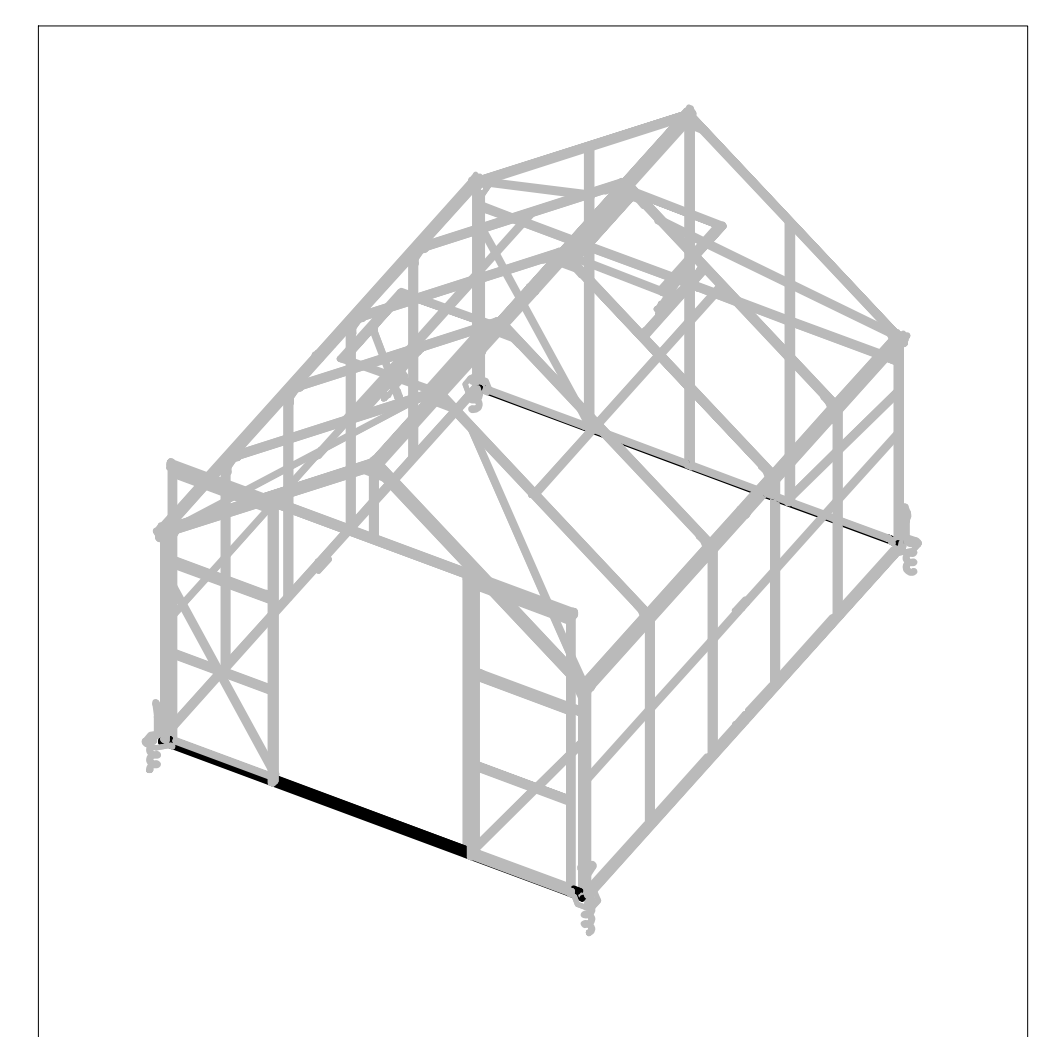
25x1



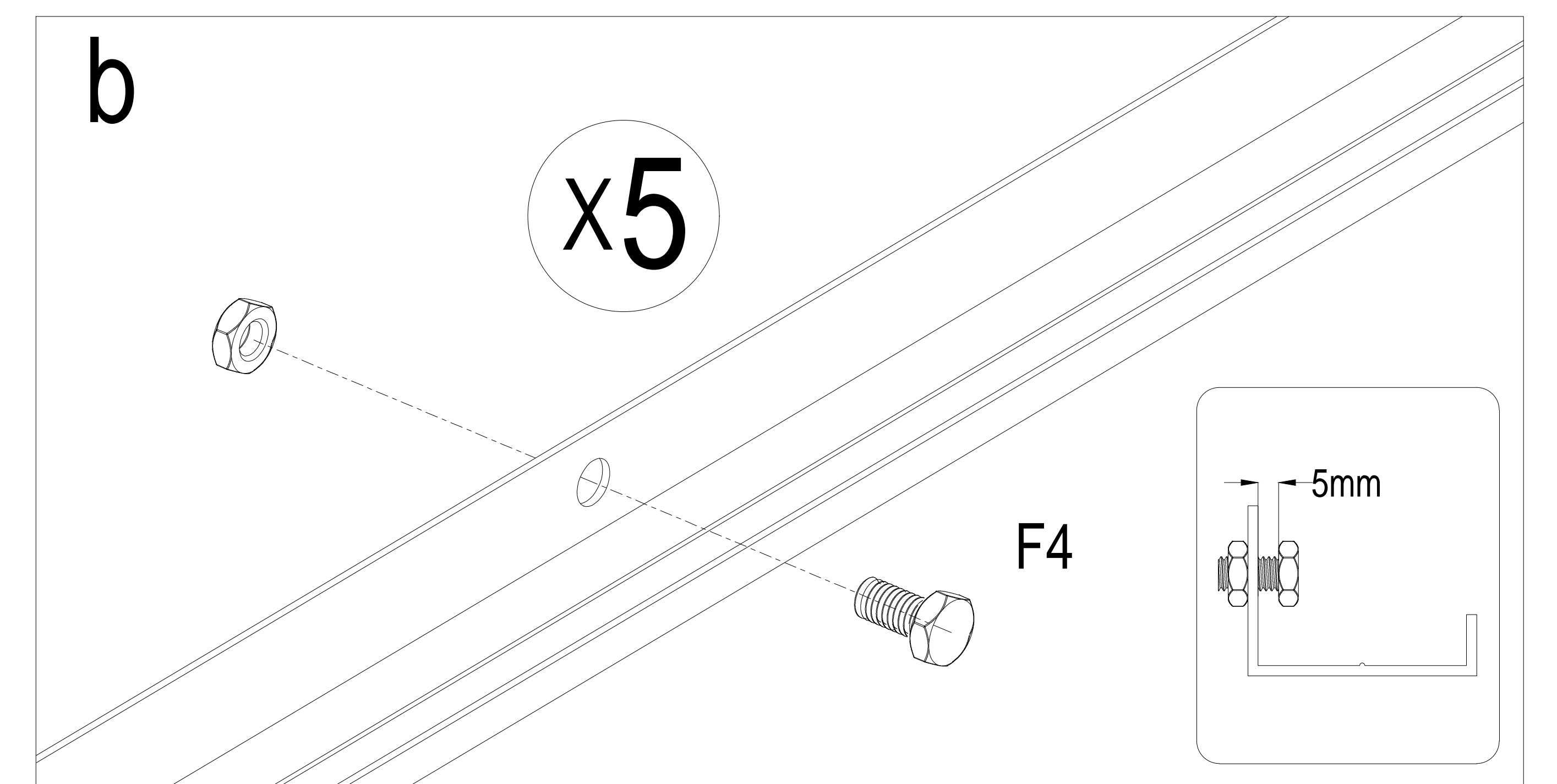
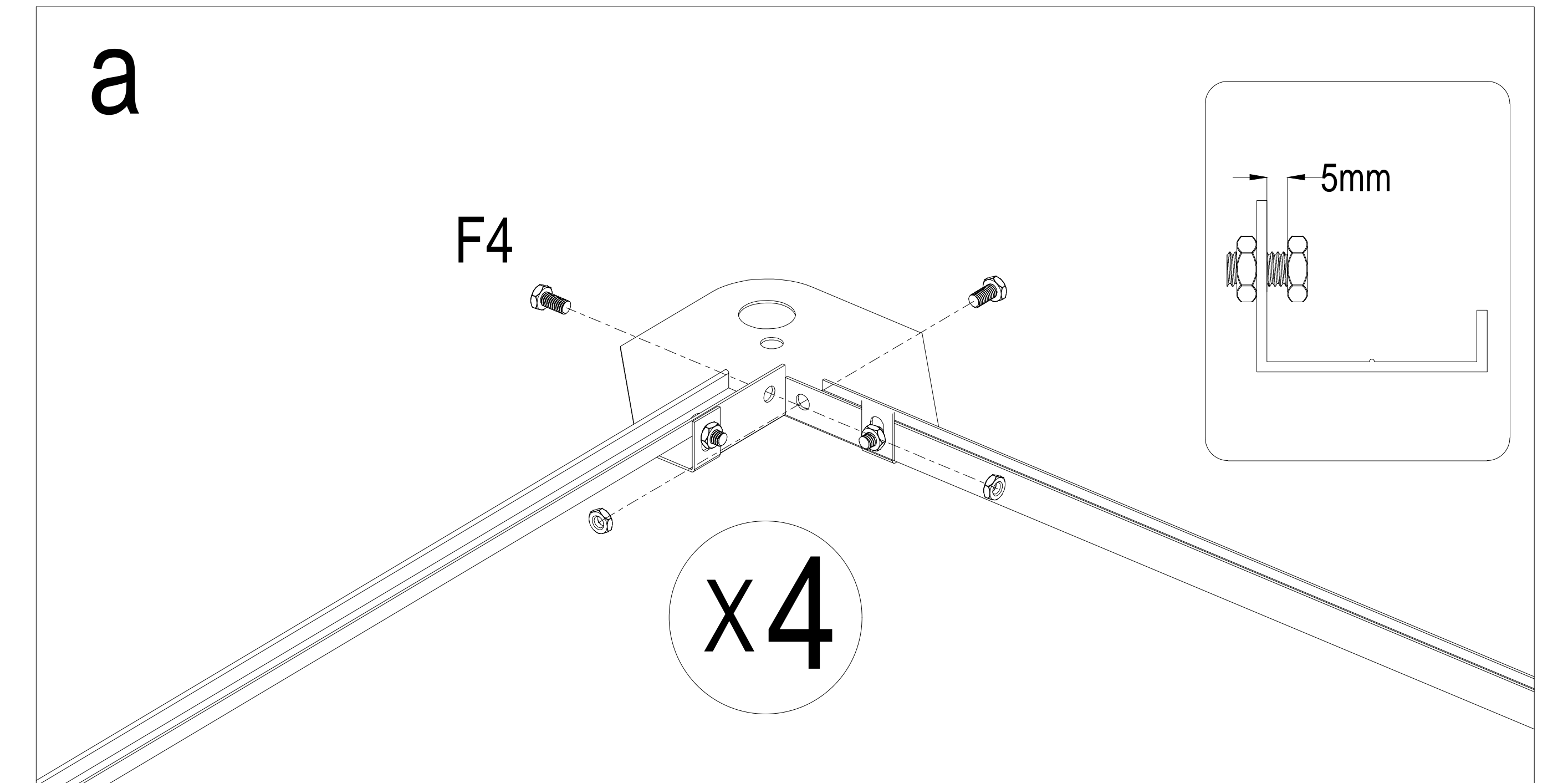
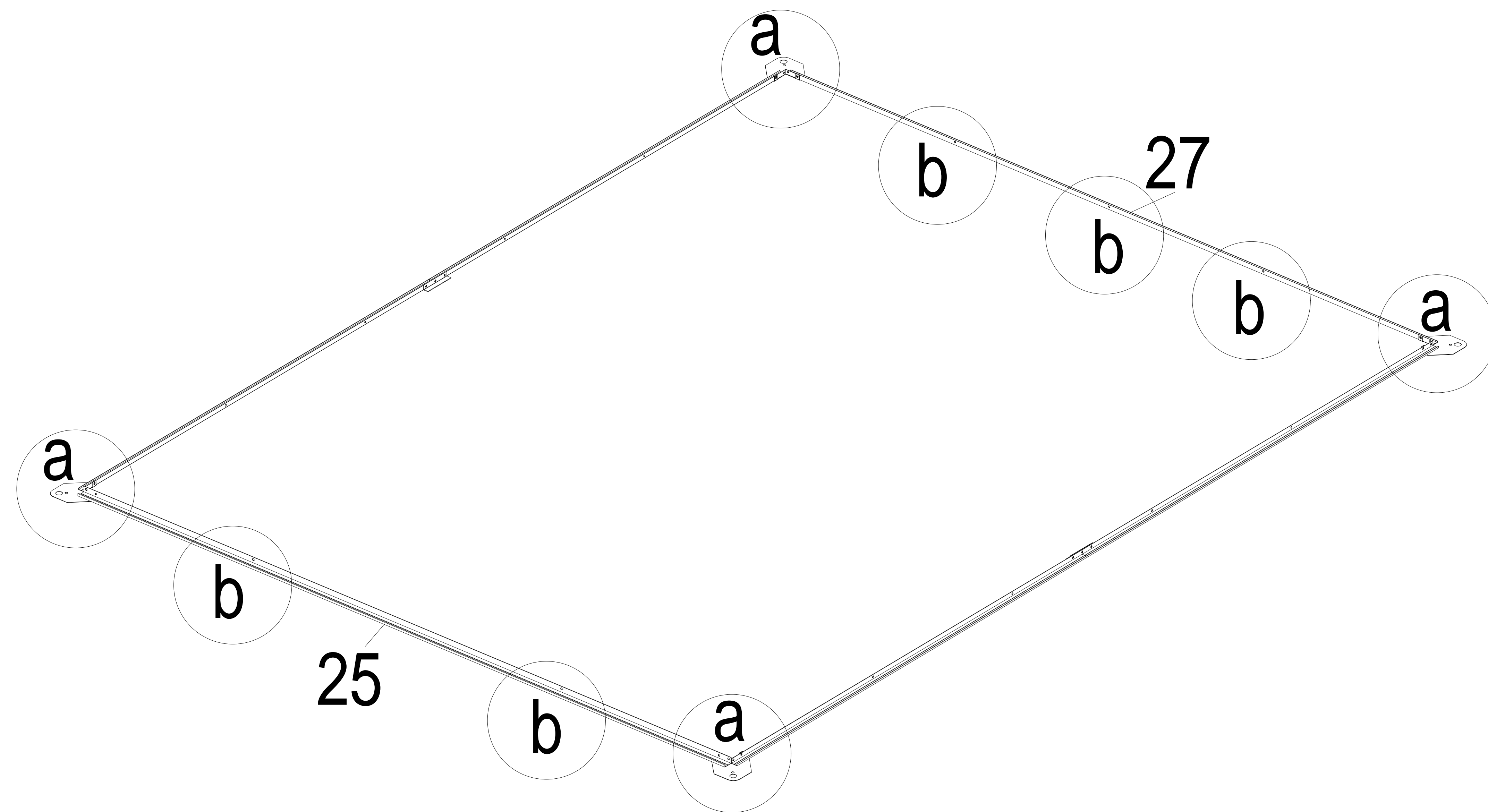
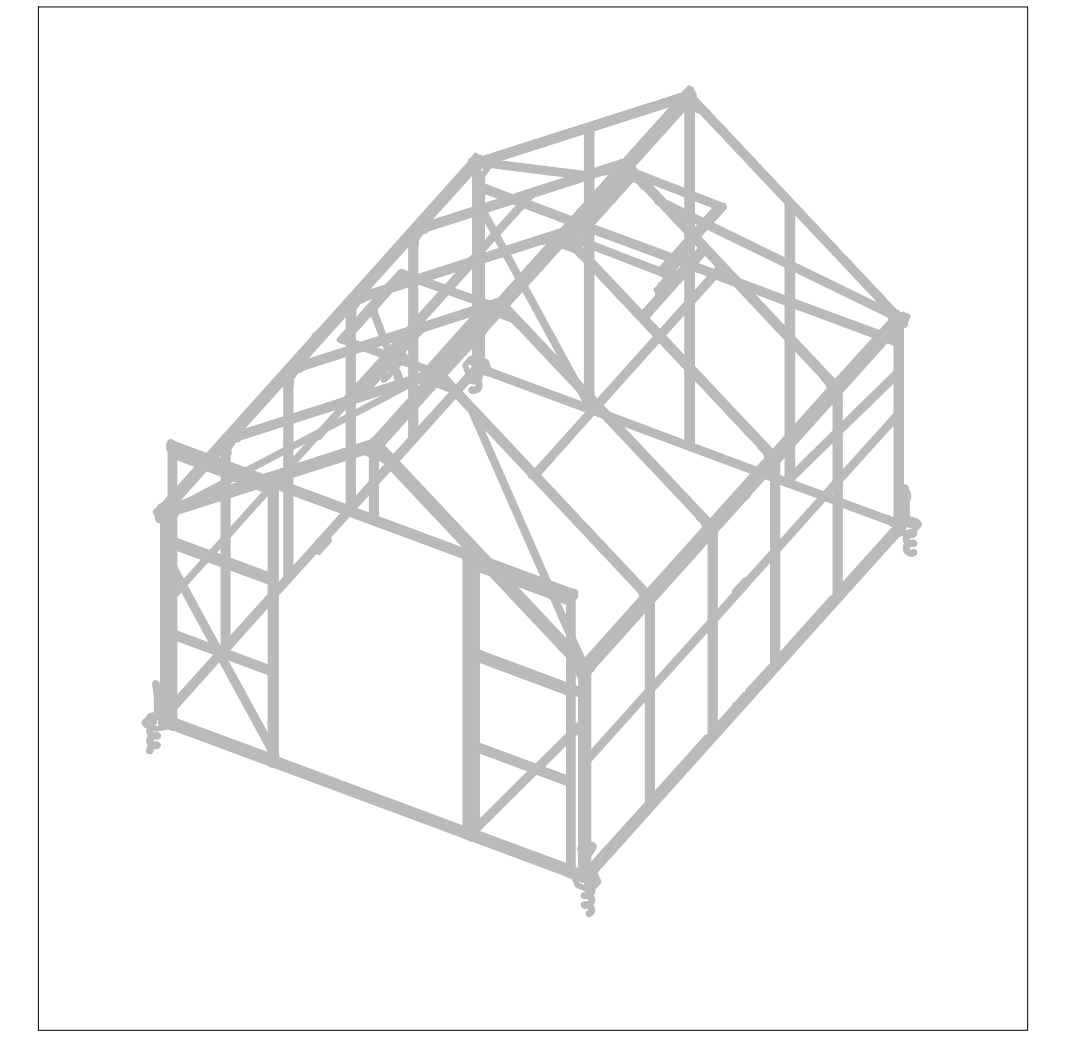
27x1

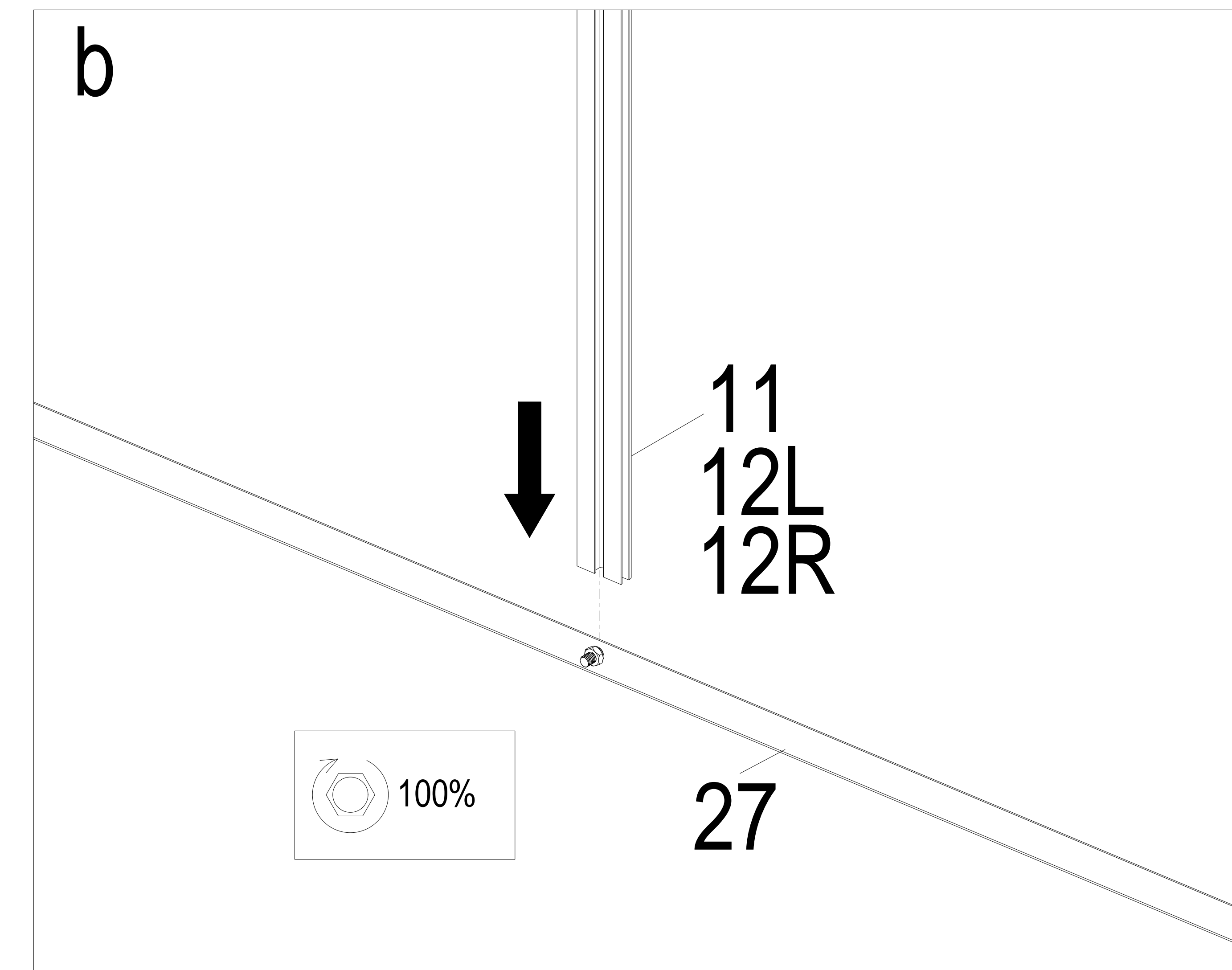
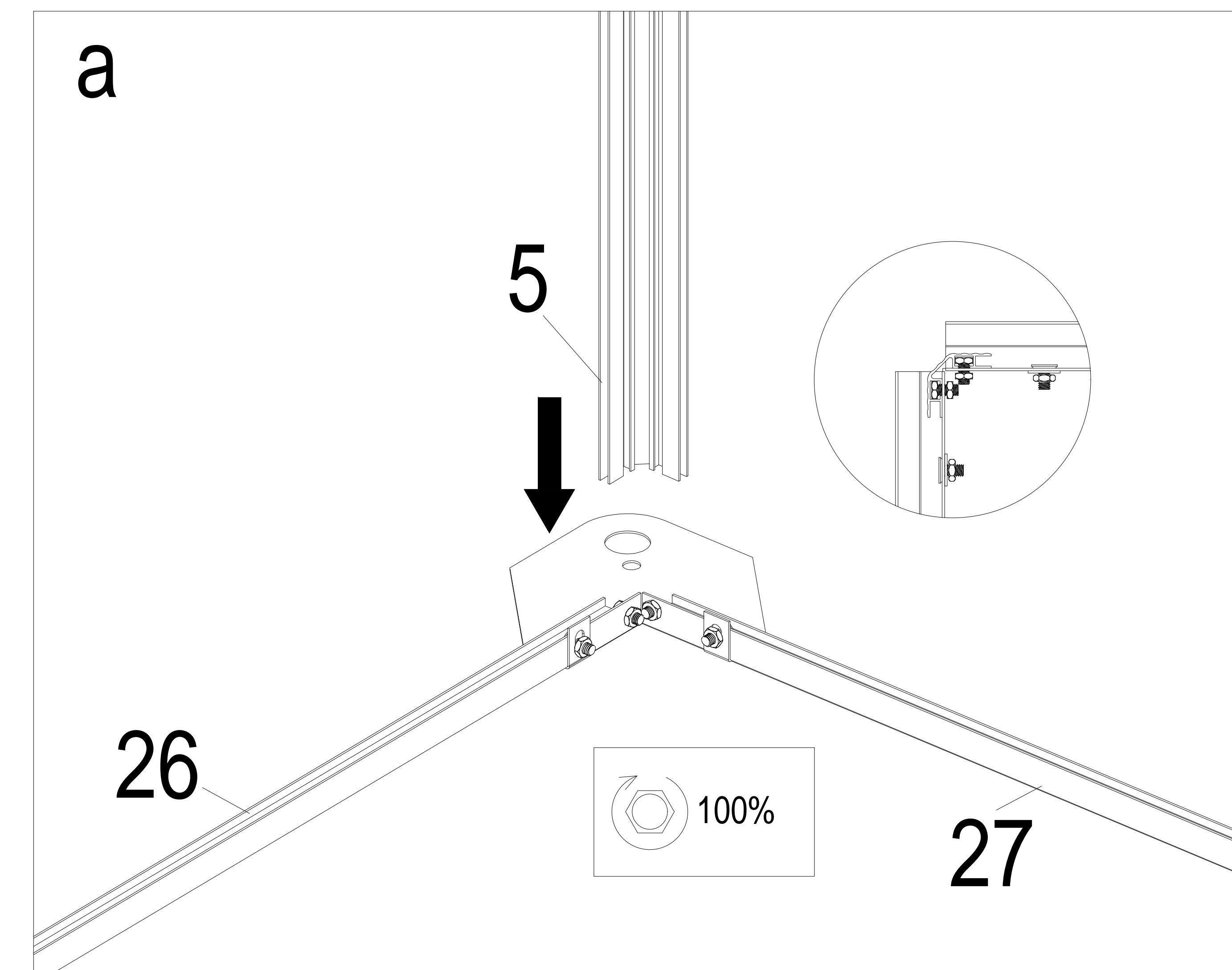
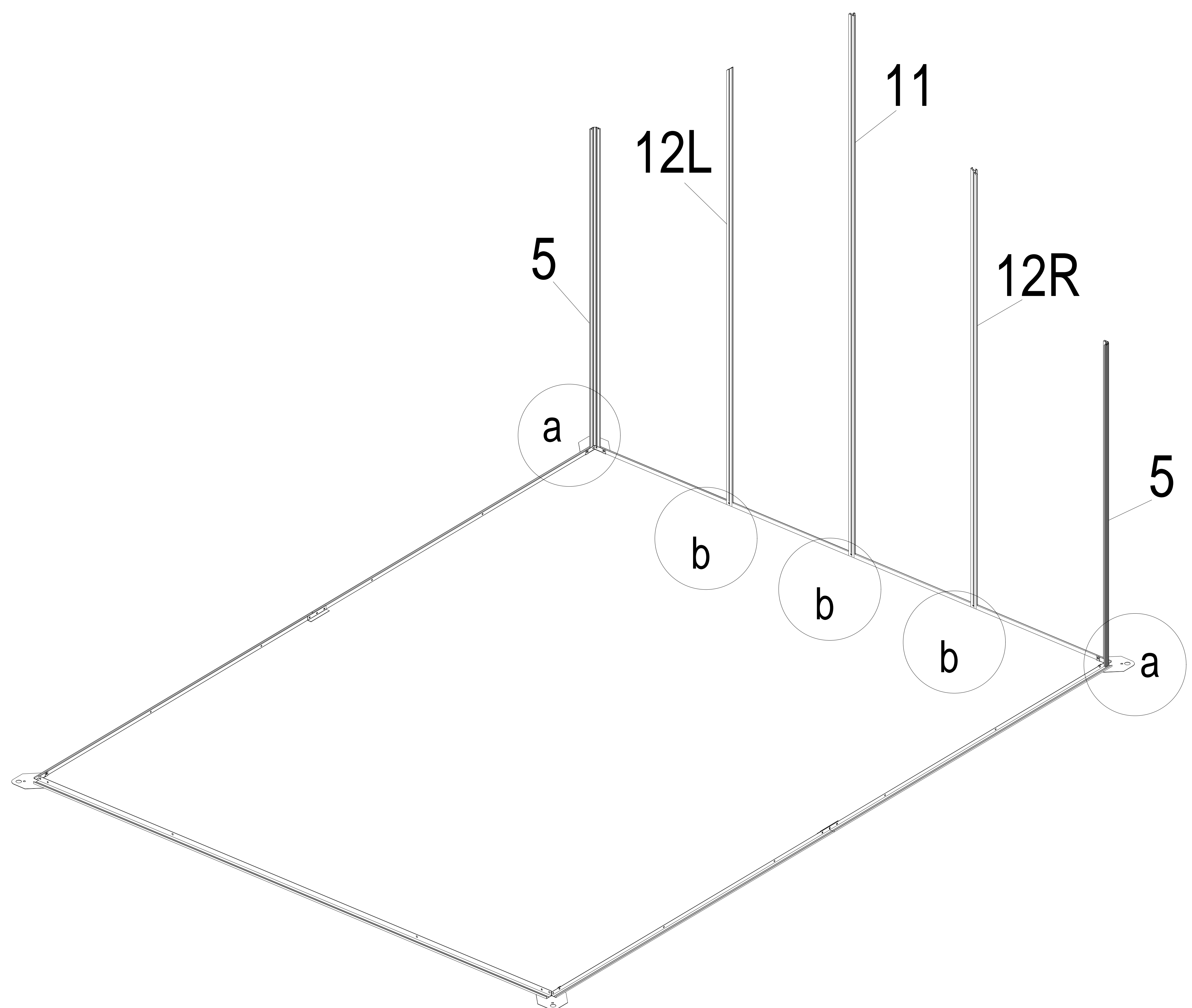
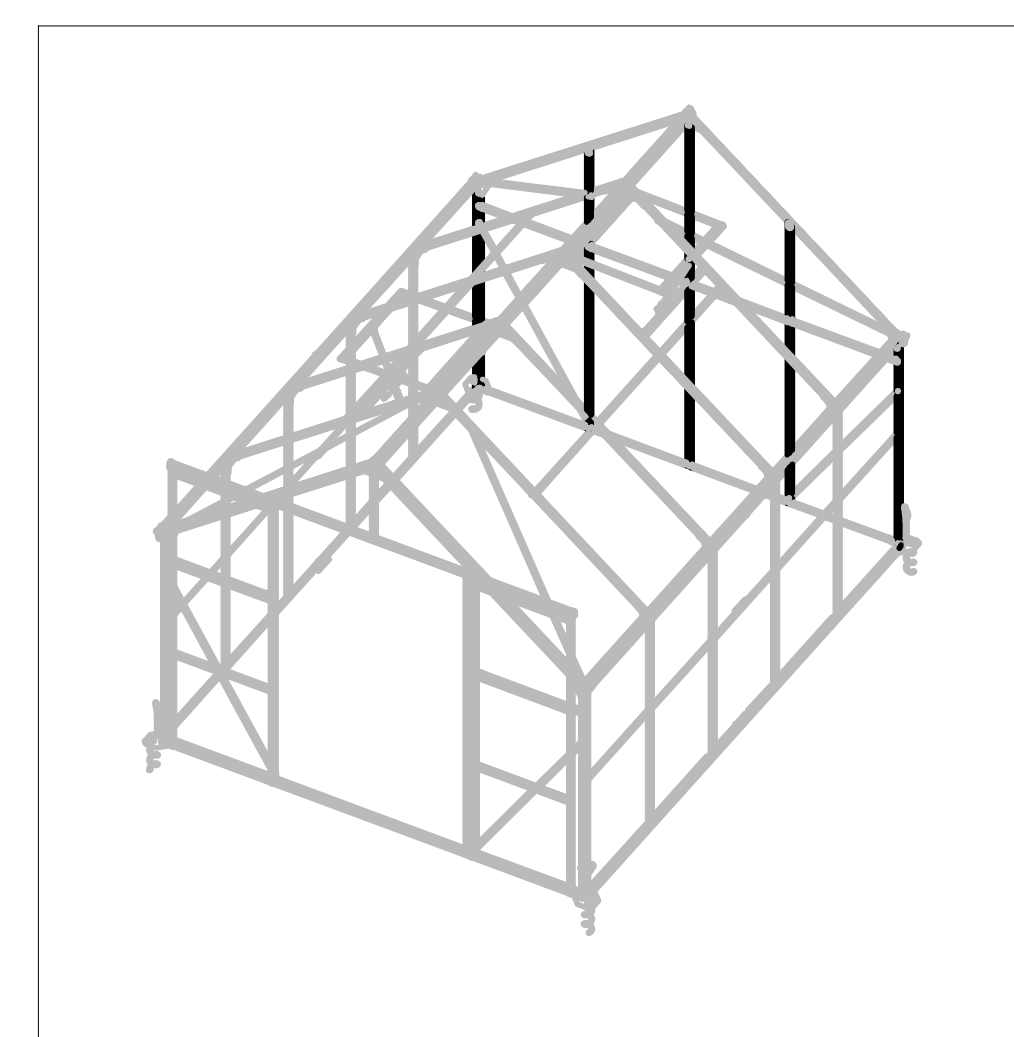
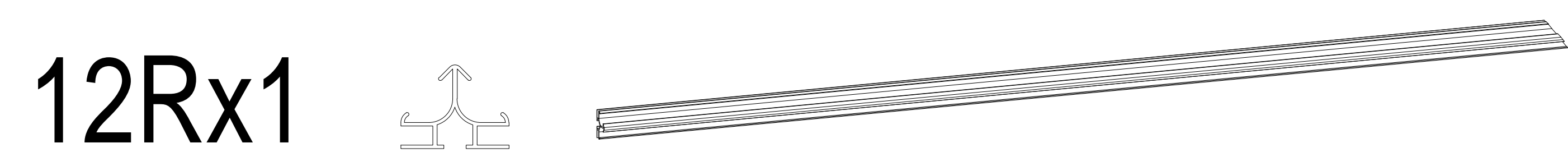
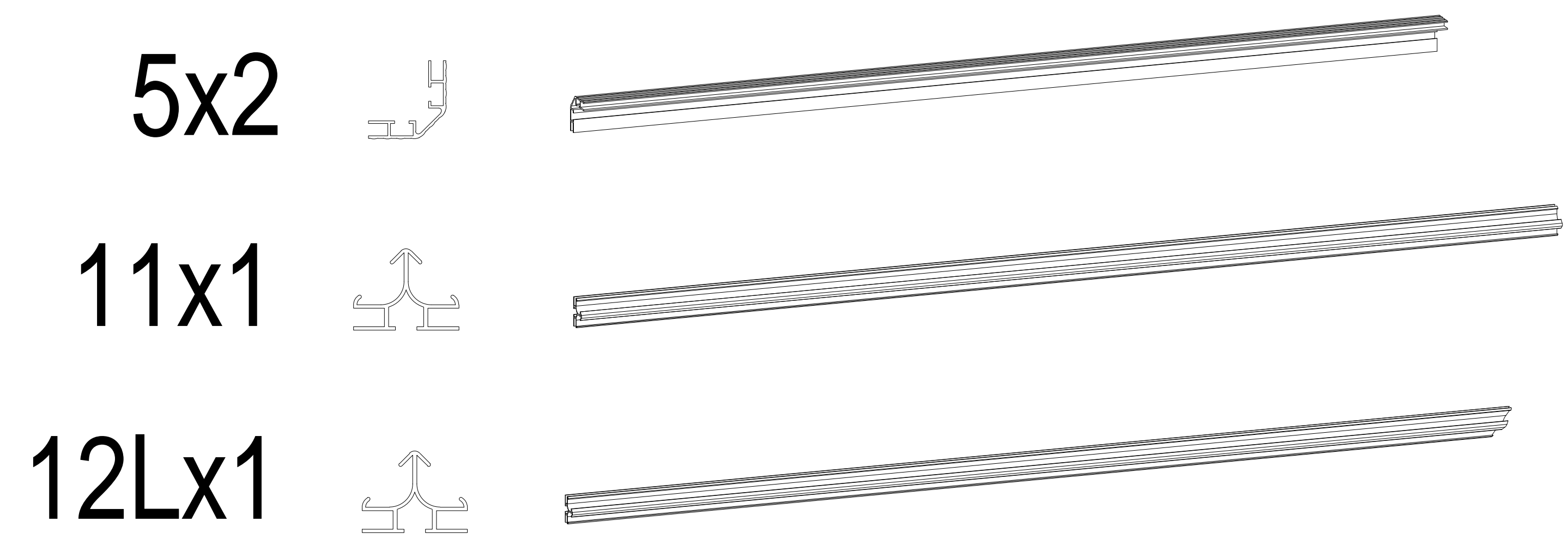


(M5x10)
F8x4

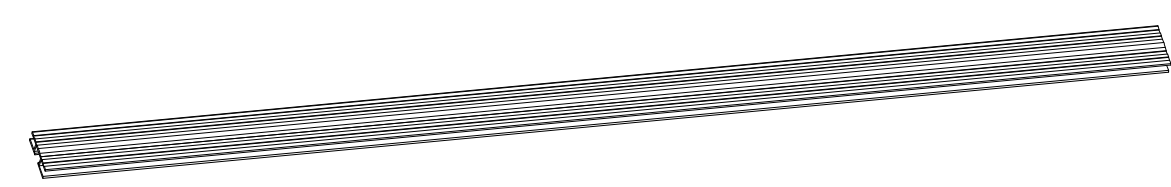
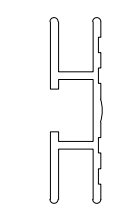


(M5x10)
F4x13

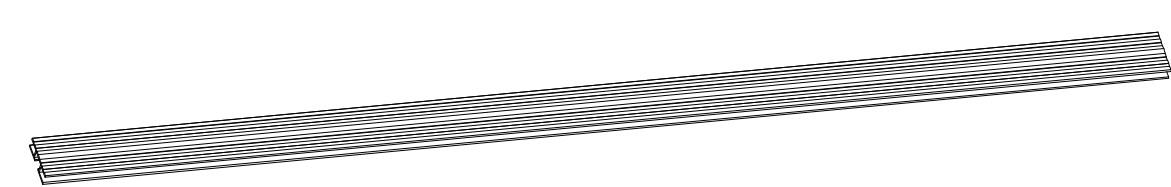
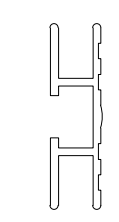




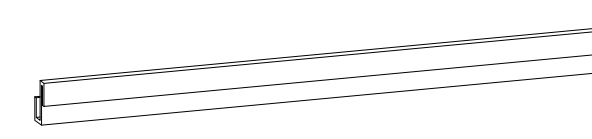
14x2



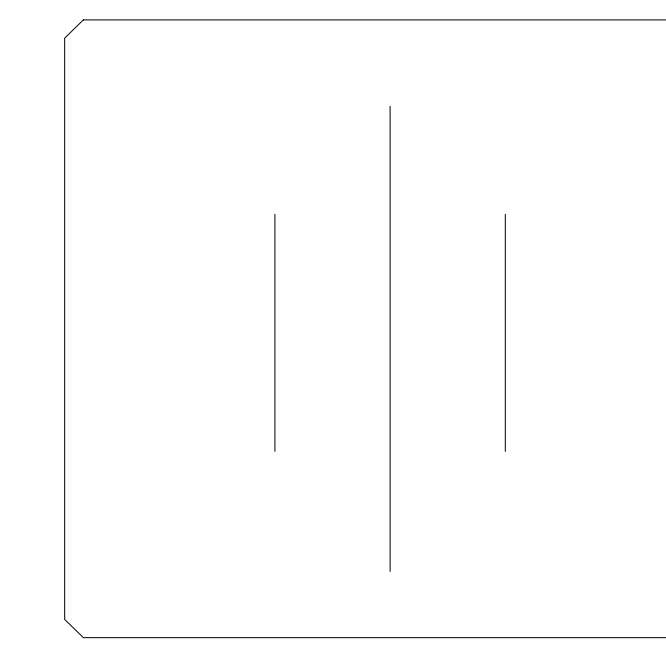
15x2



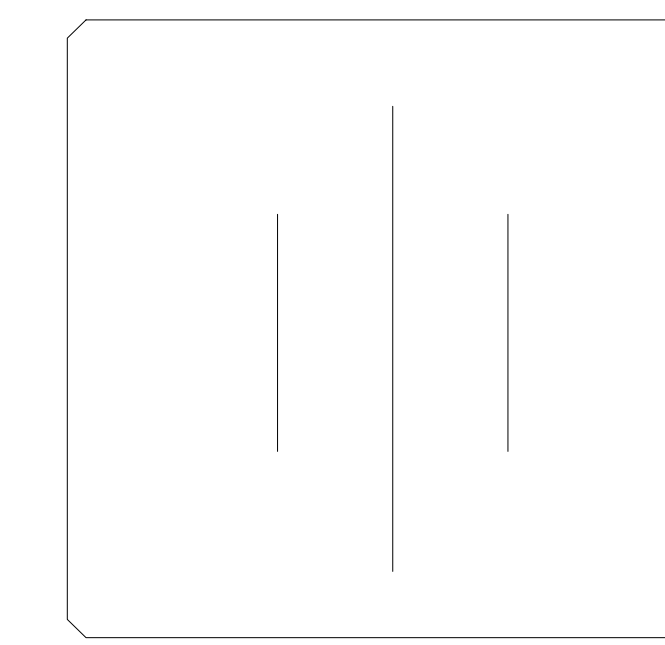
S3x4



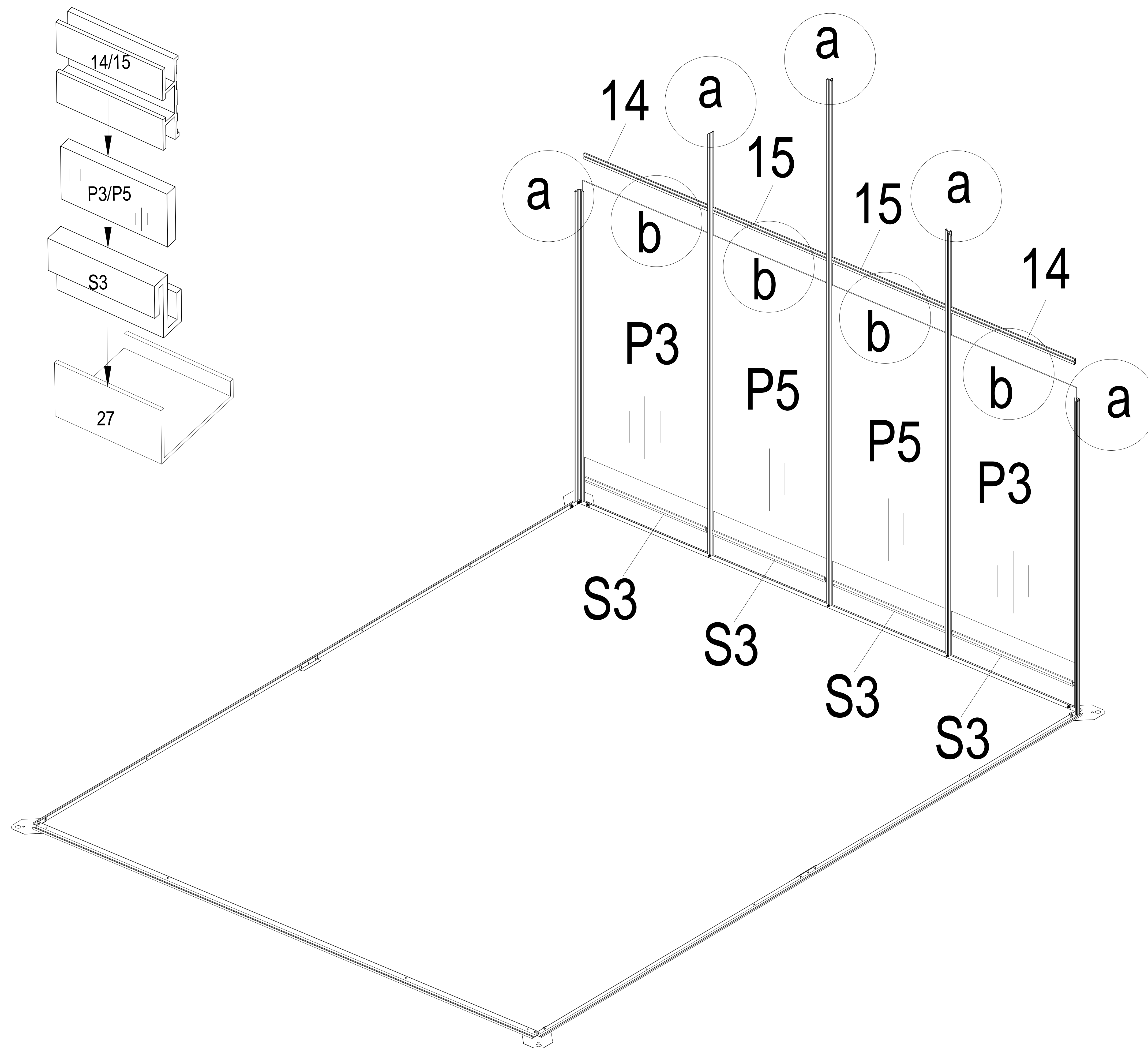
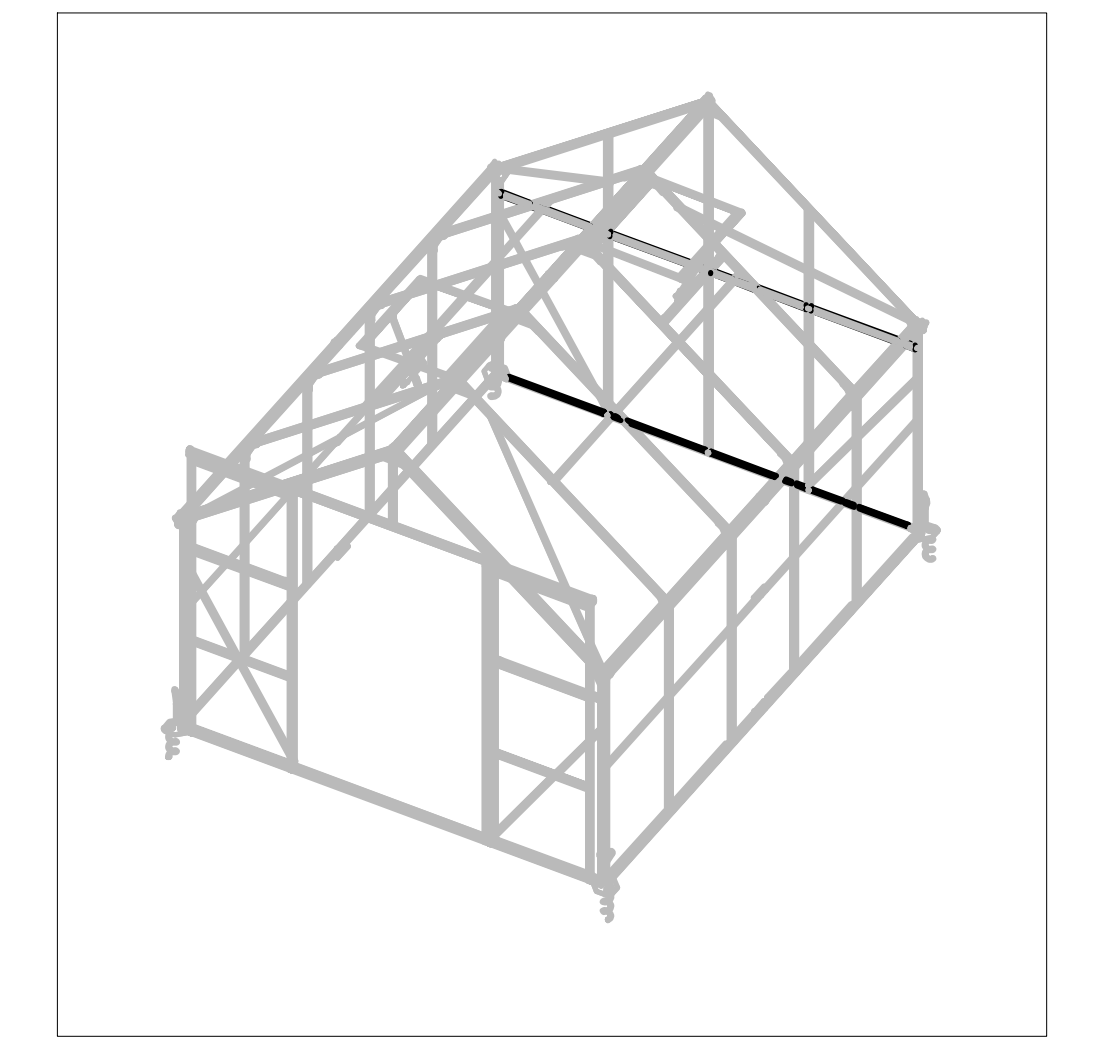
(M5x10)
F4x19



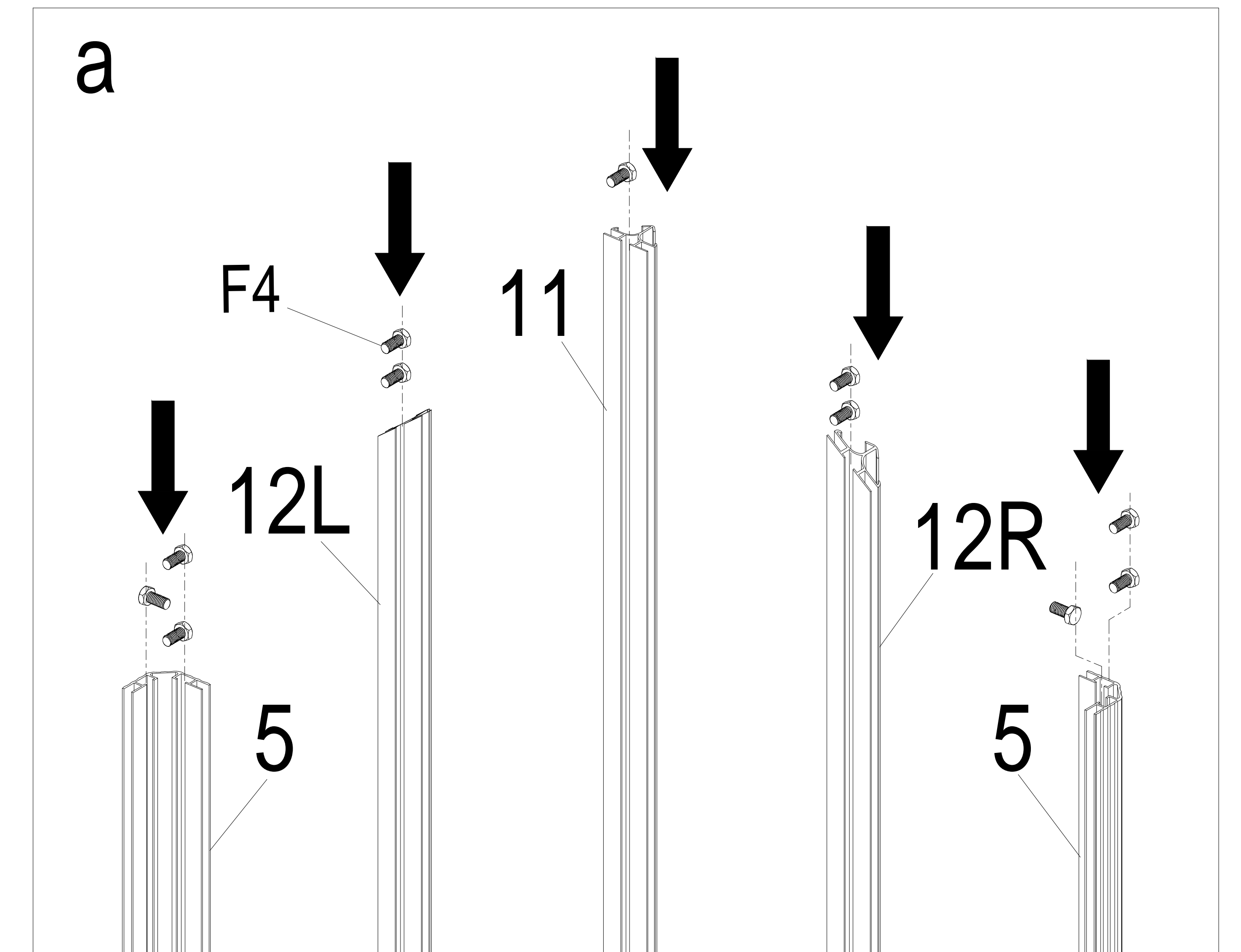
P3x2



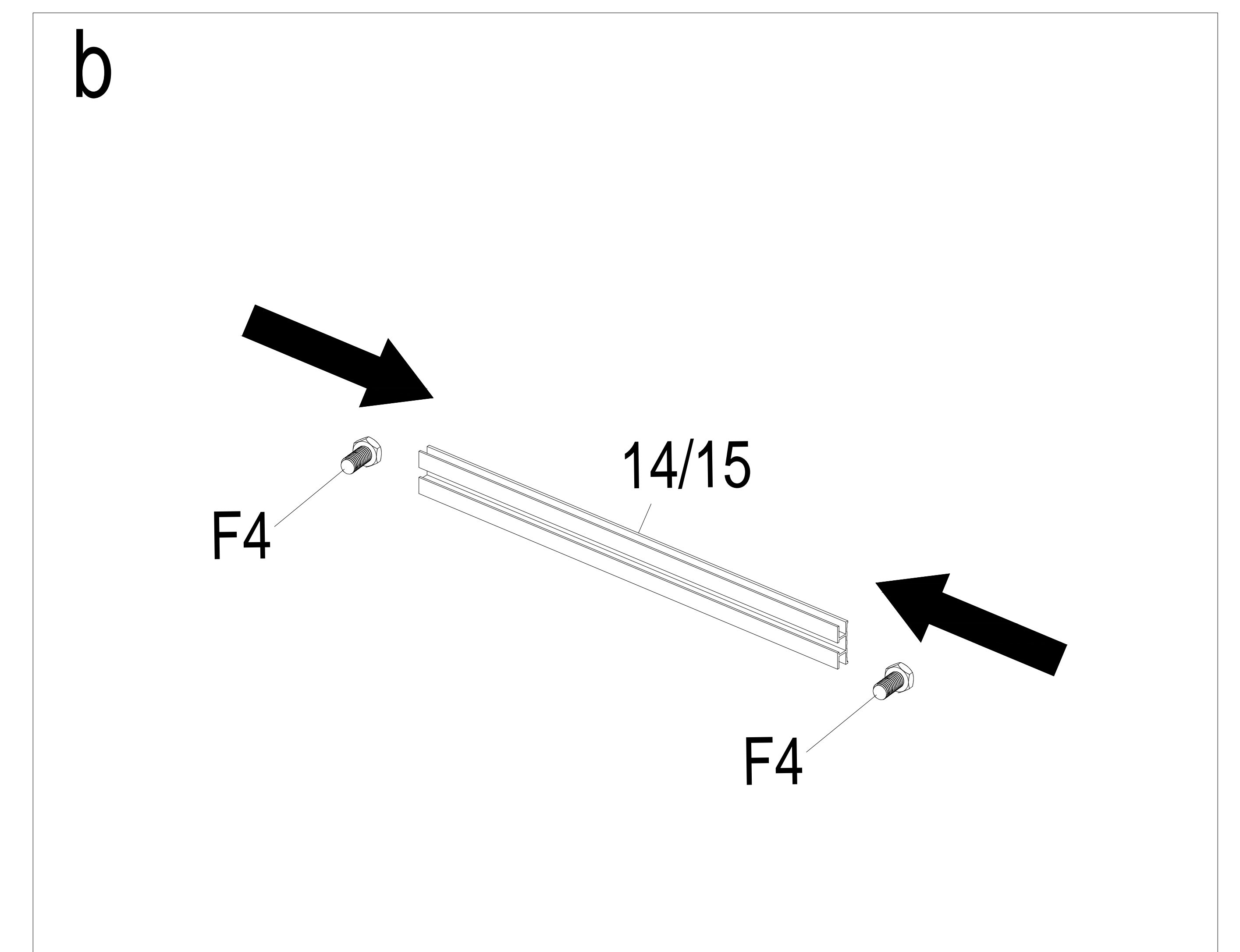
P5x2



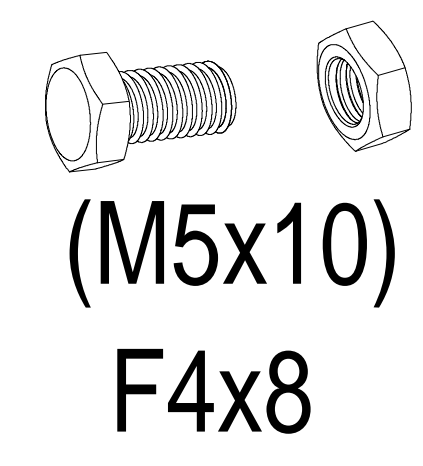
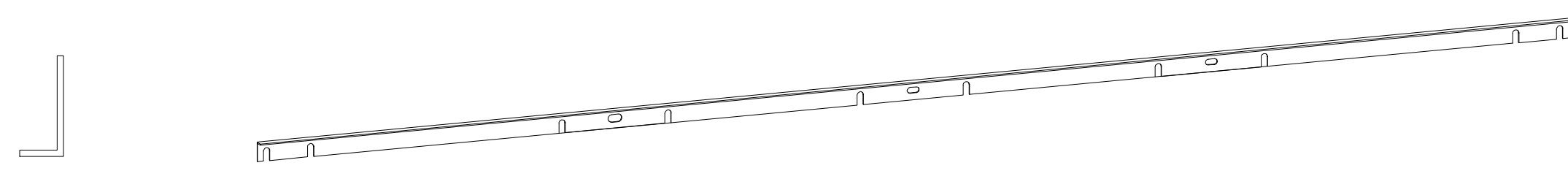
a



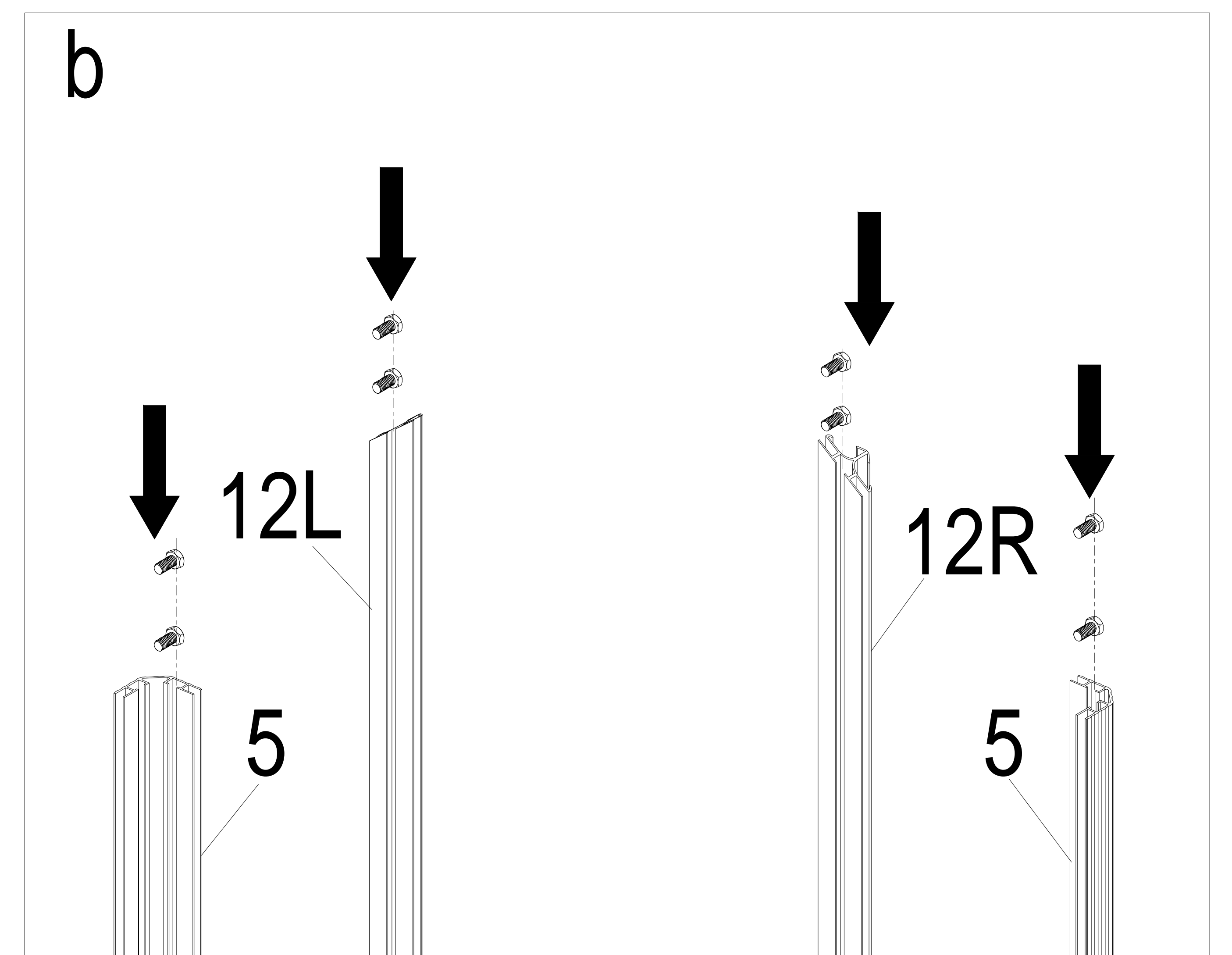
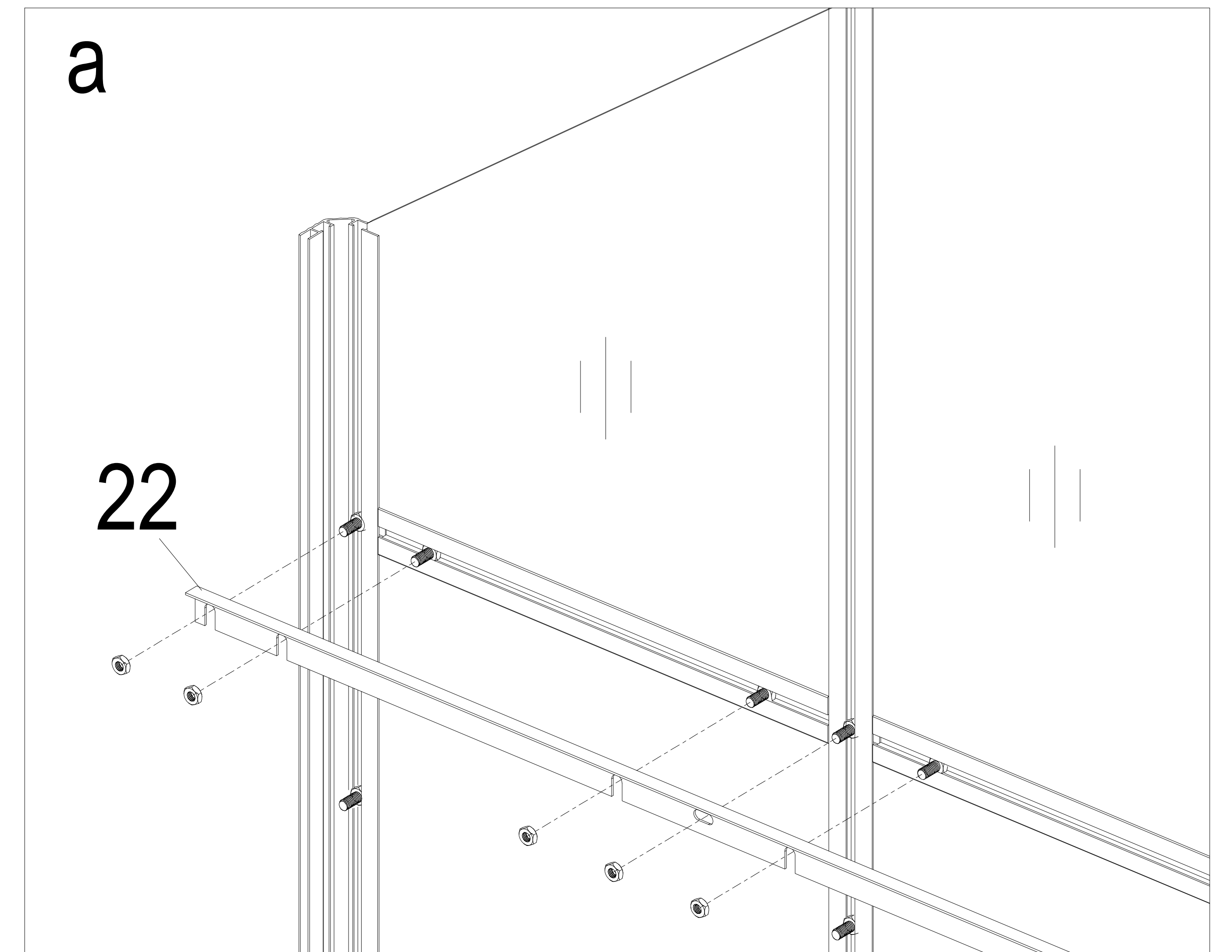
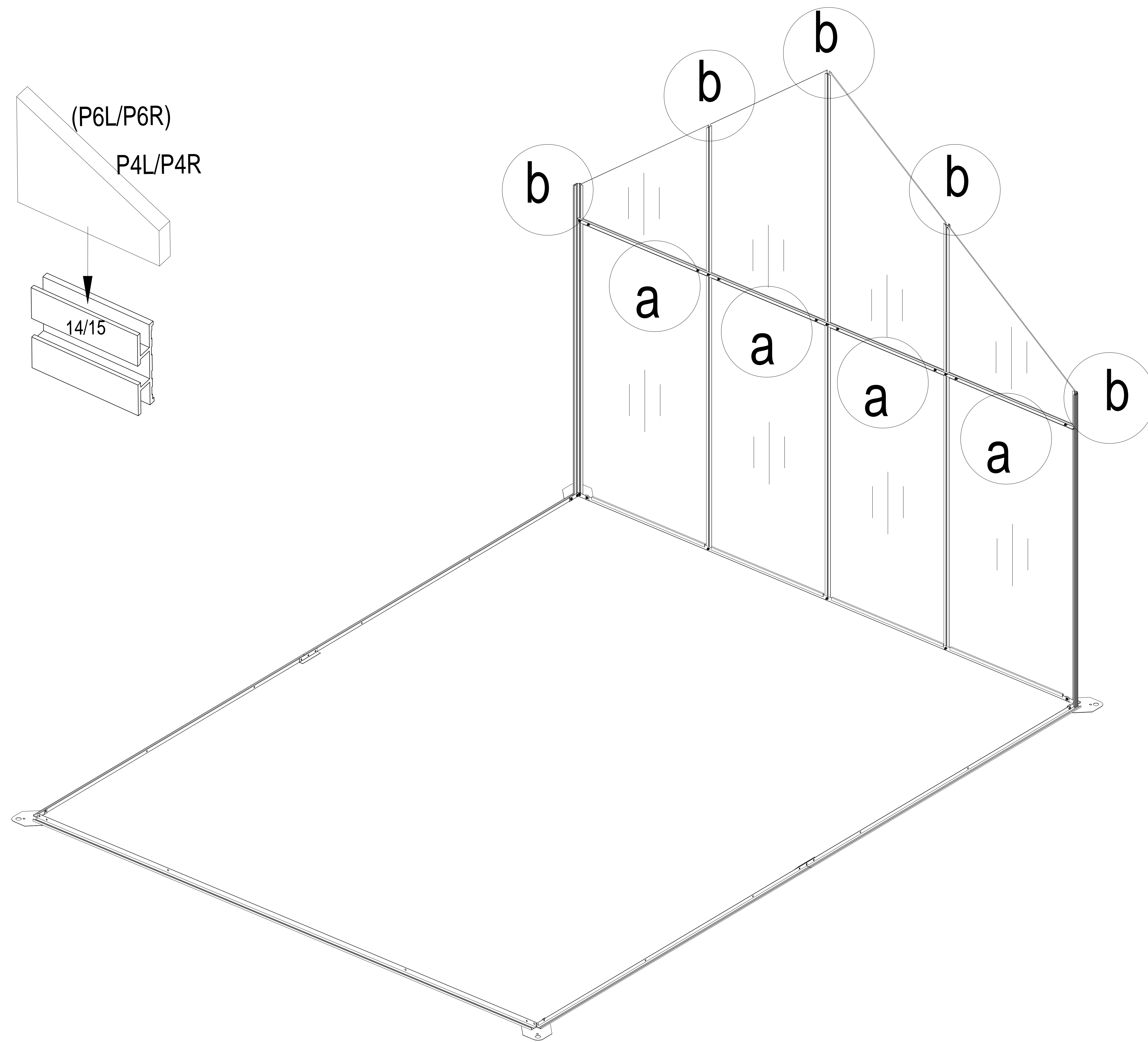
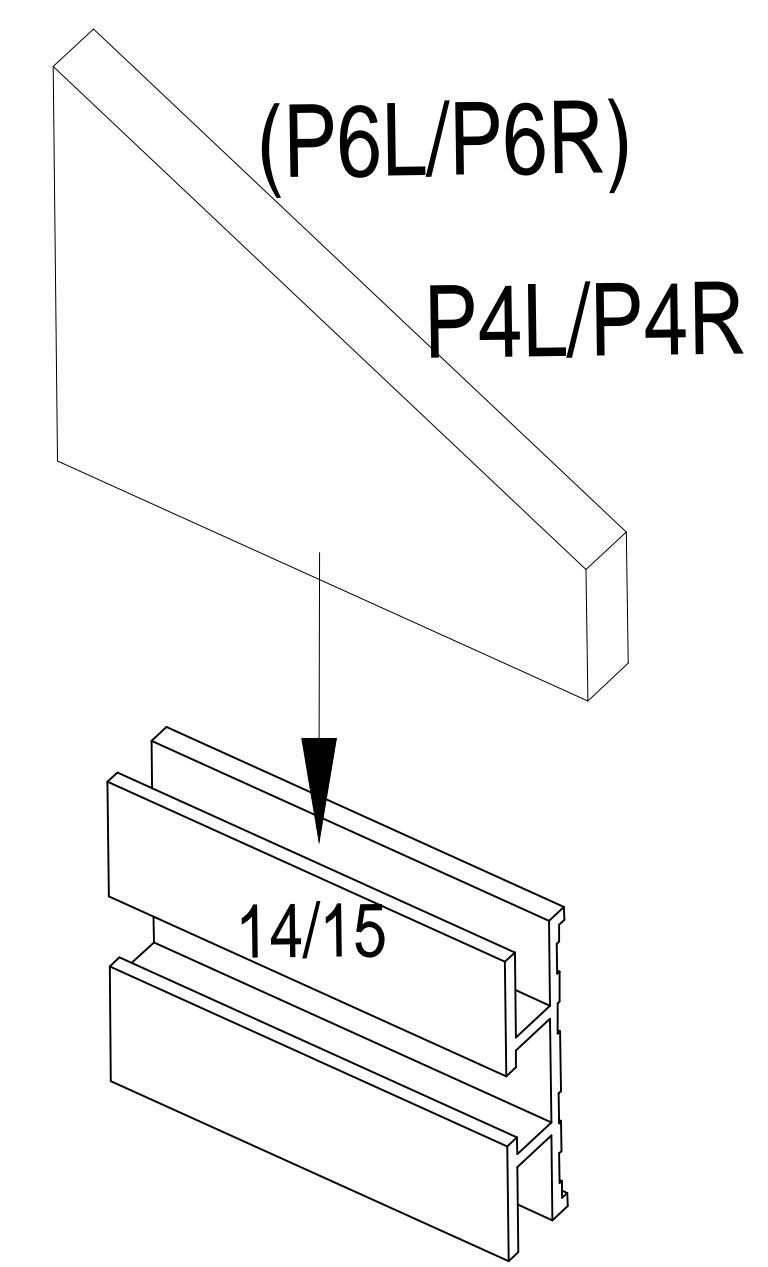
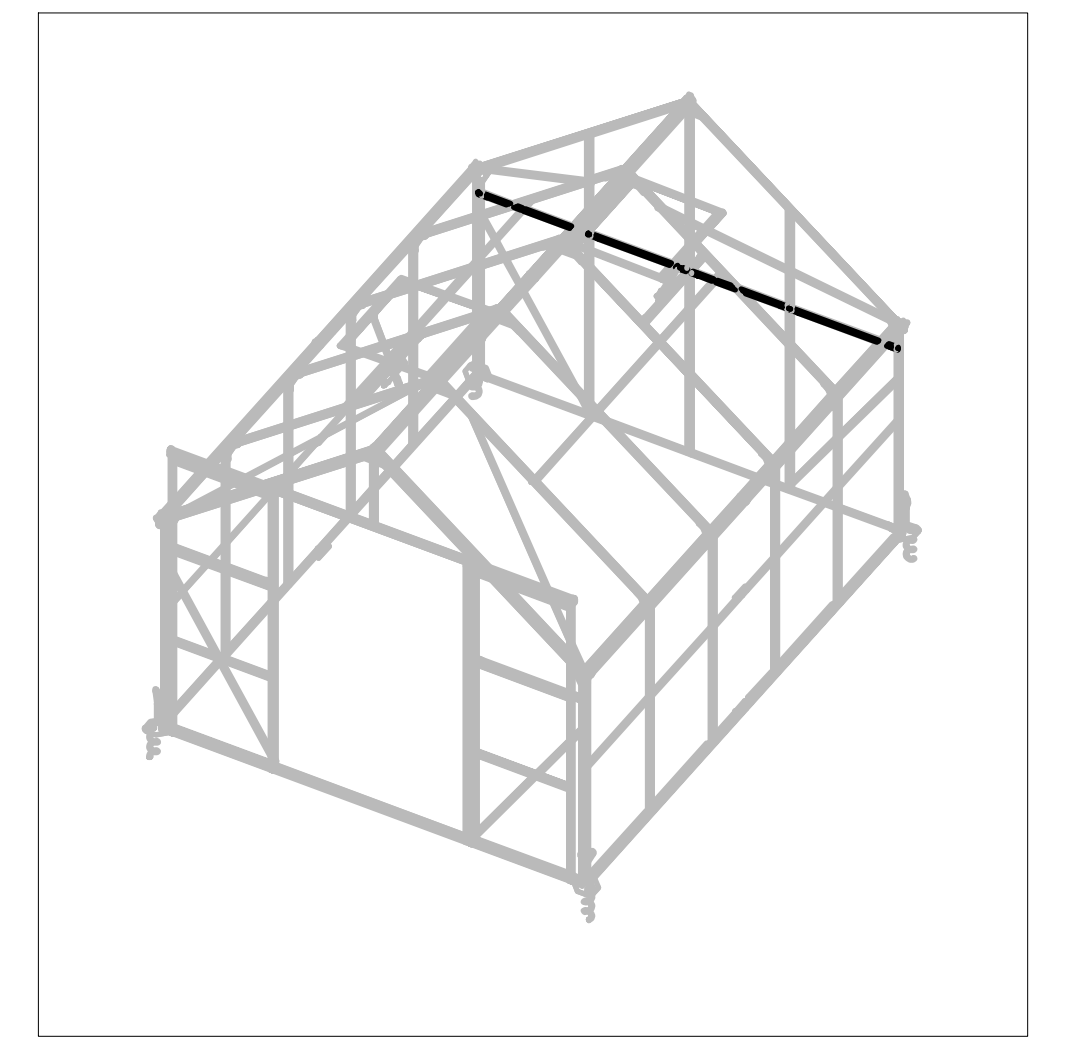
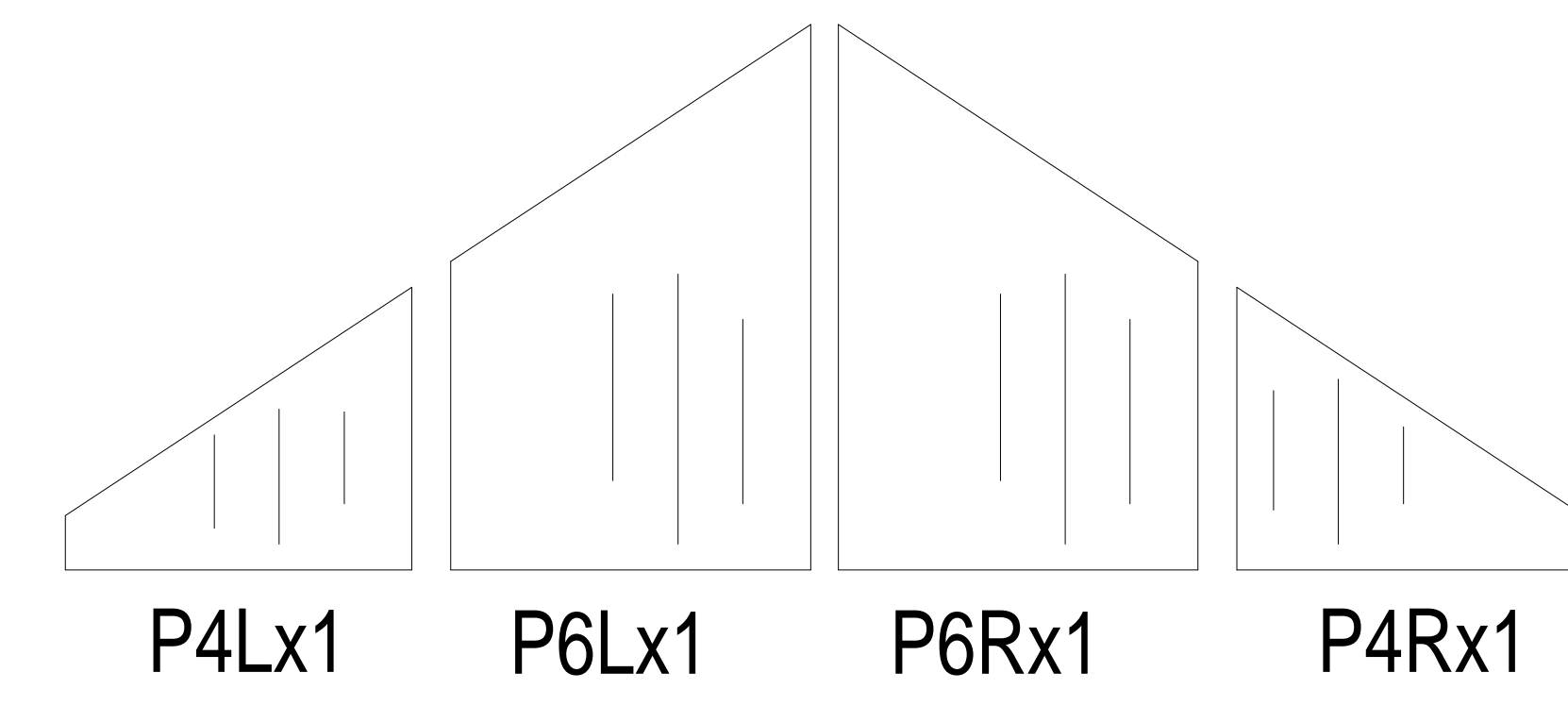
b



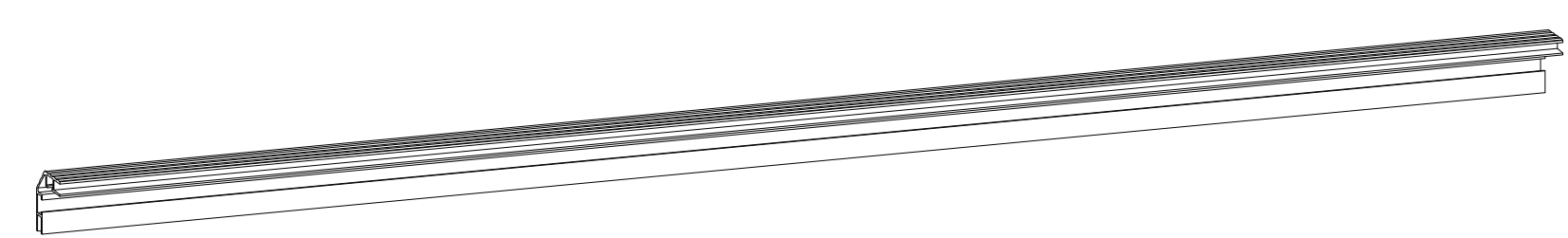
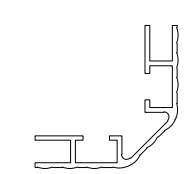
22x1



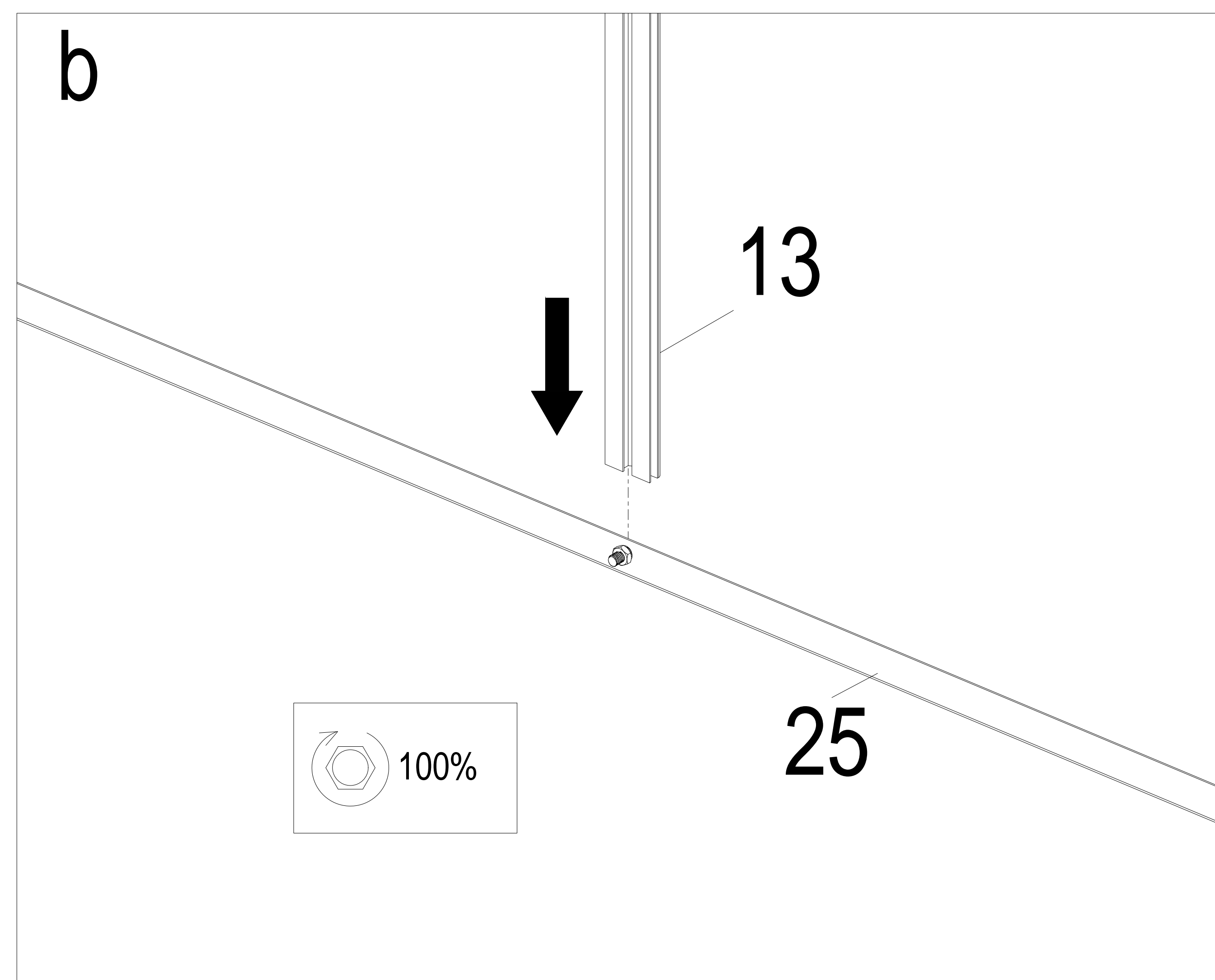
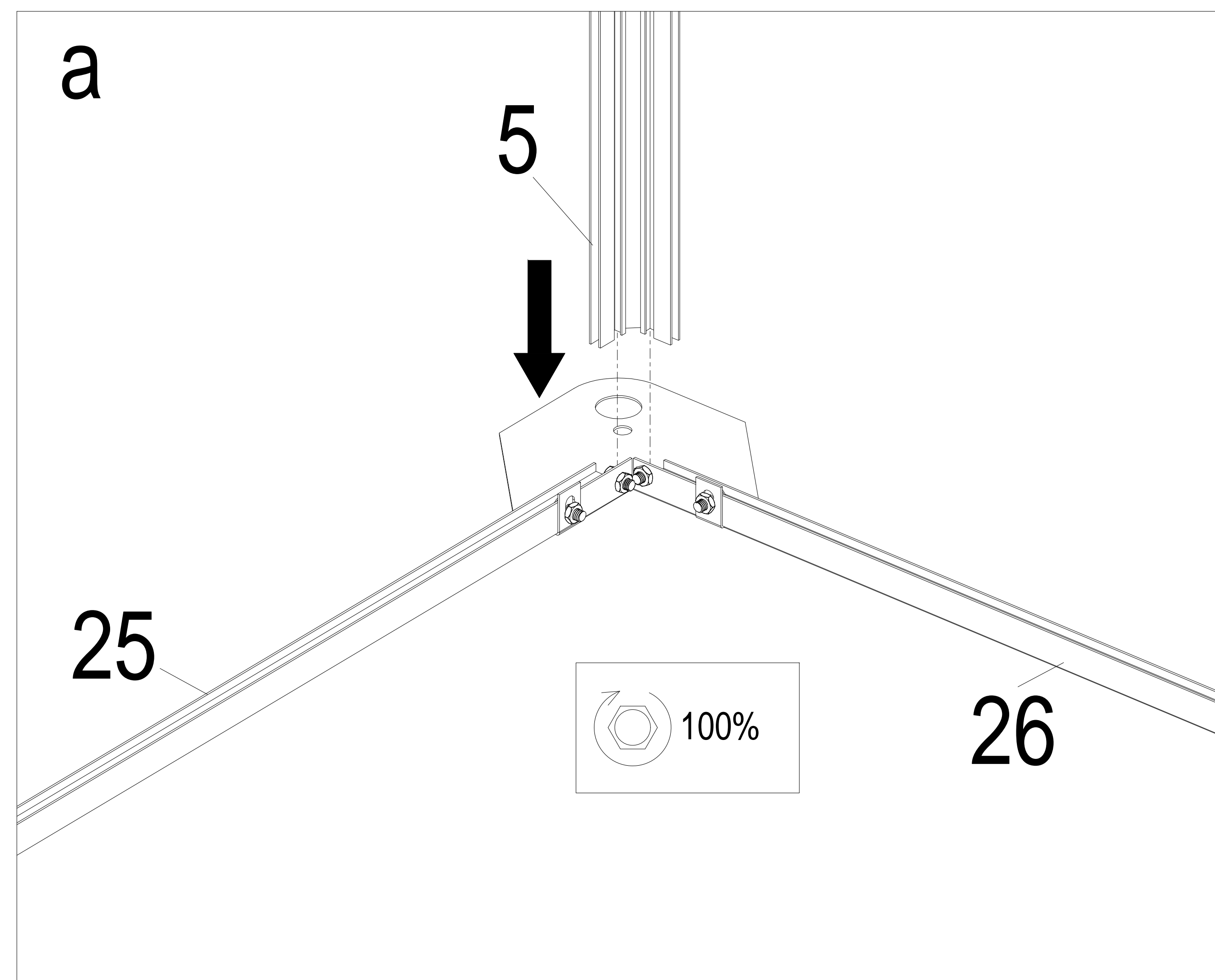
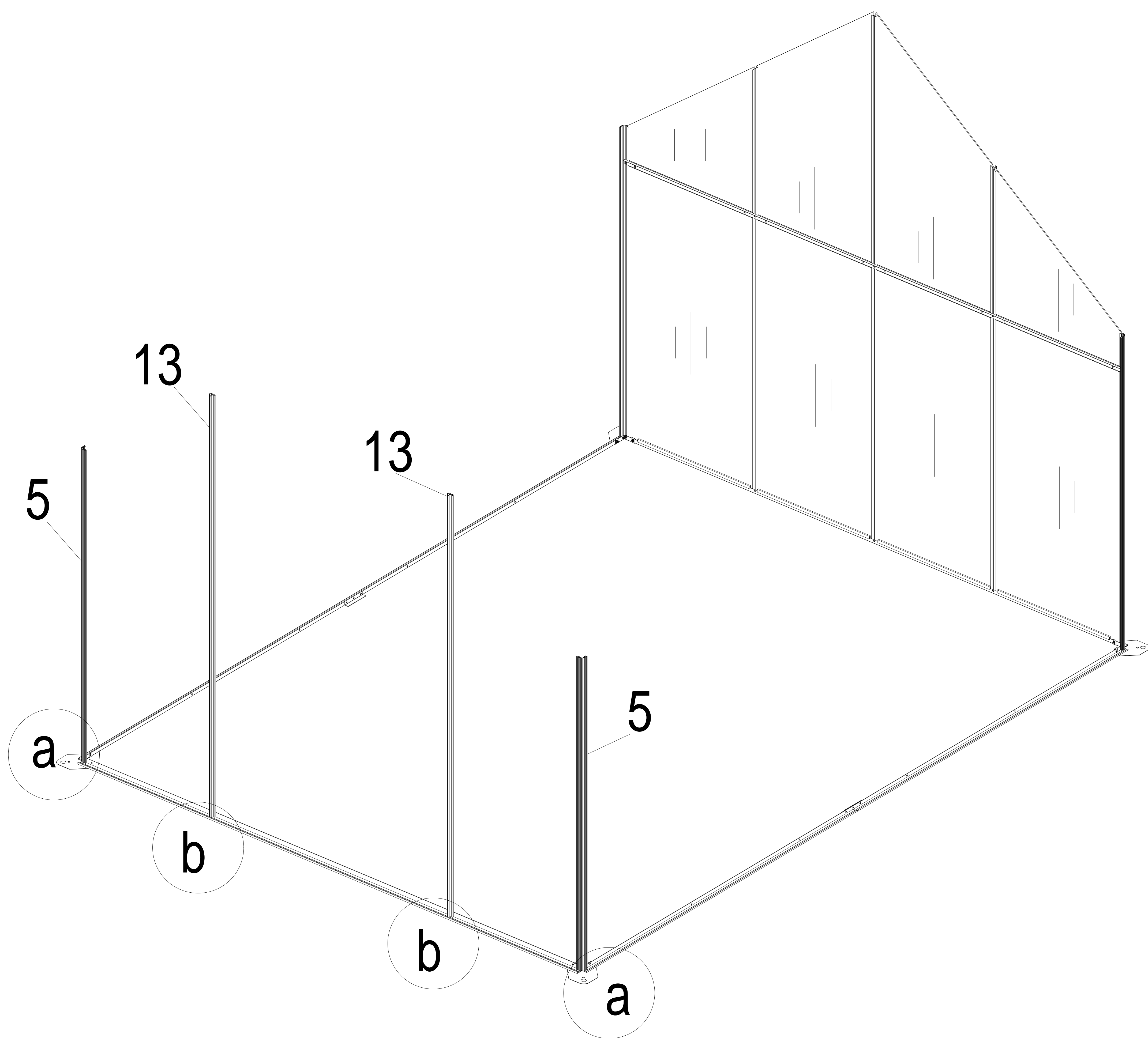
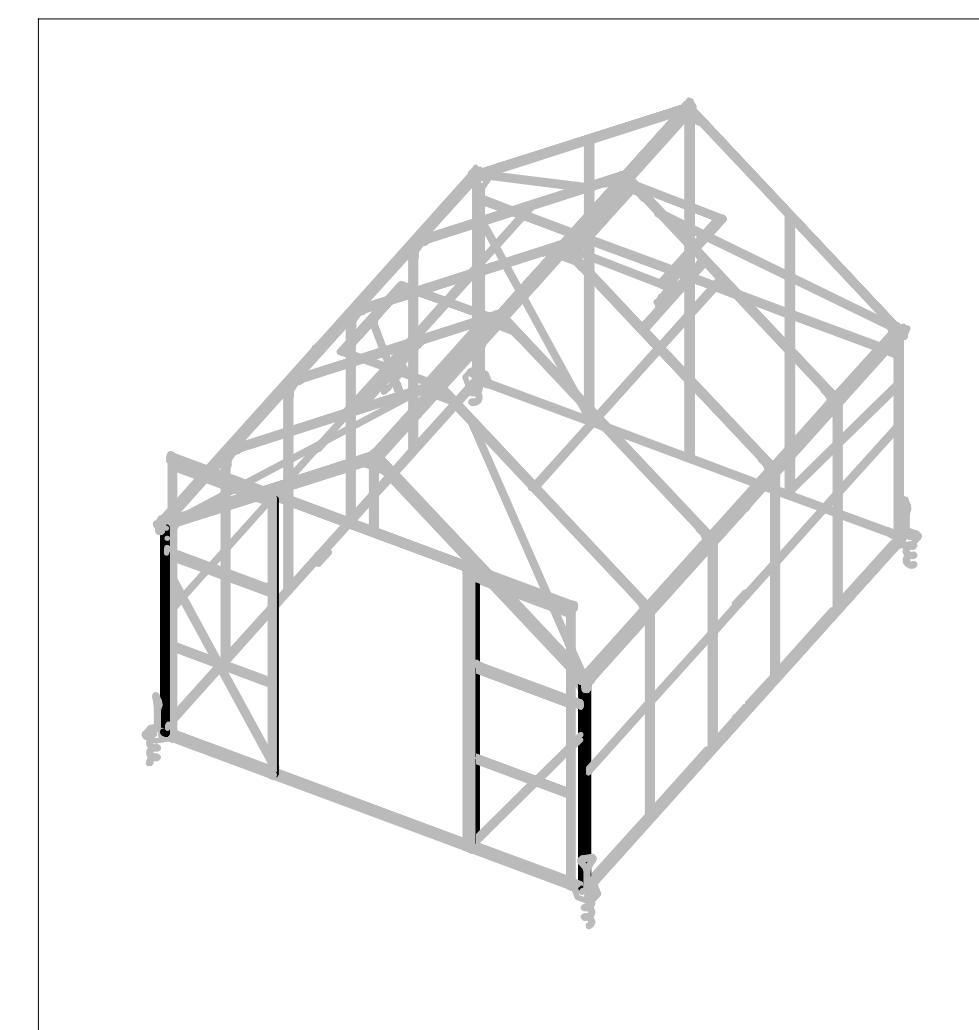
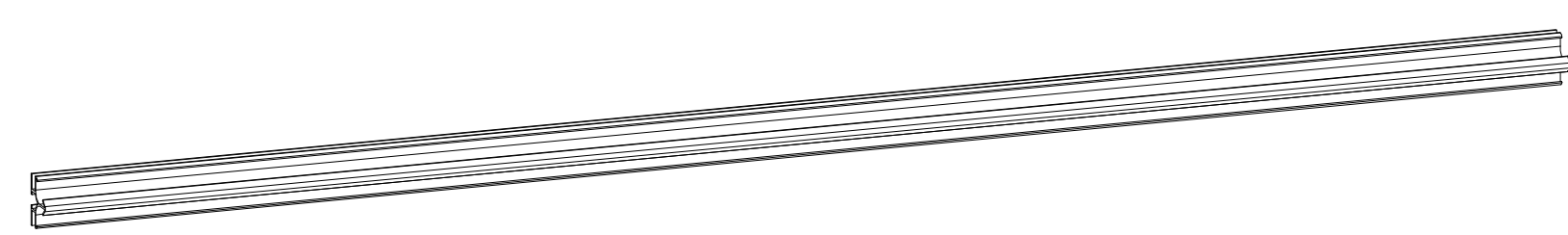
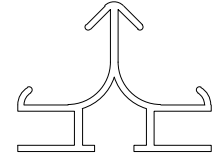
(M5x10)
F4x8



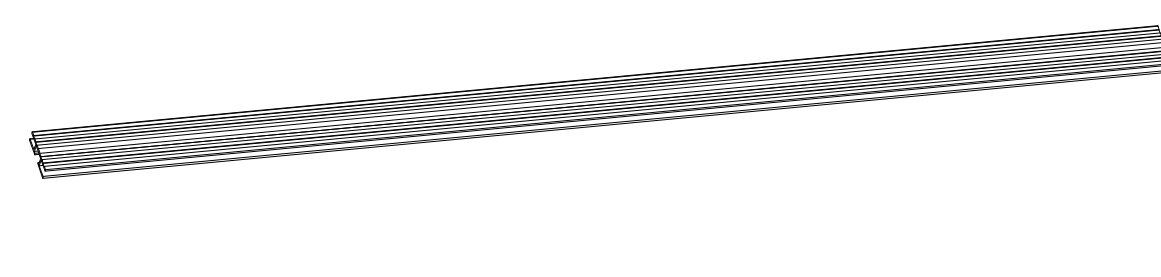
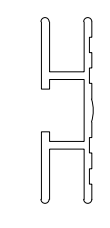
5x2



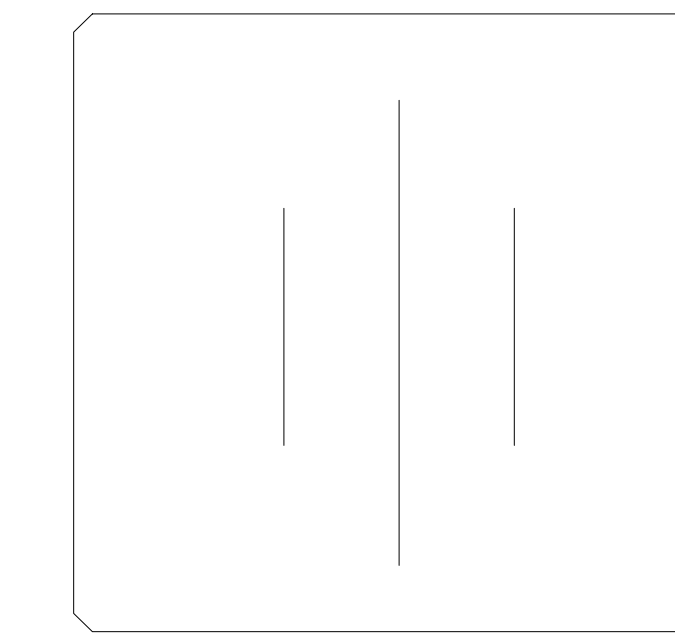
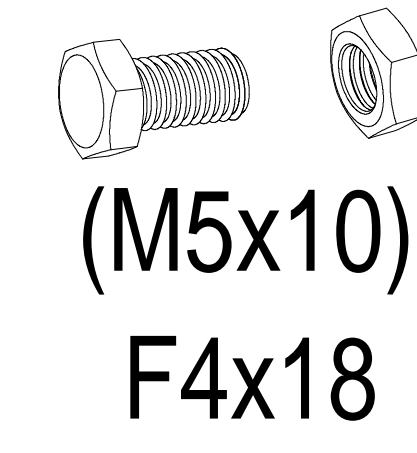
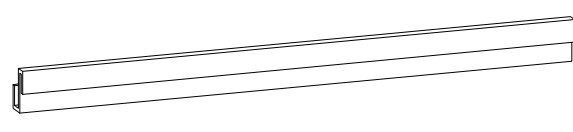
13x2



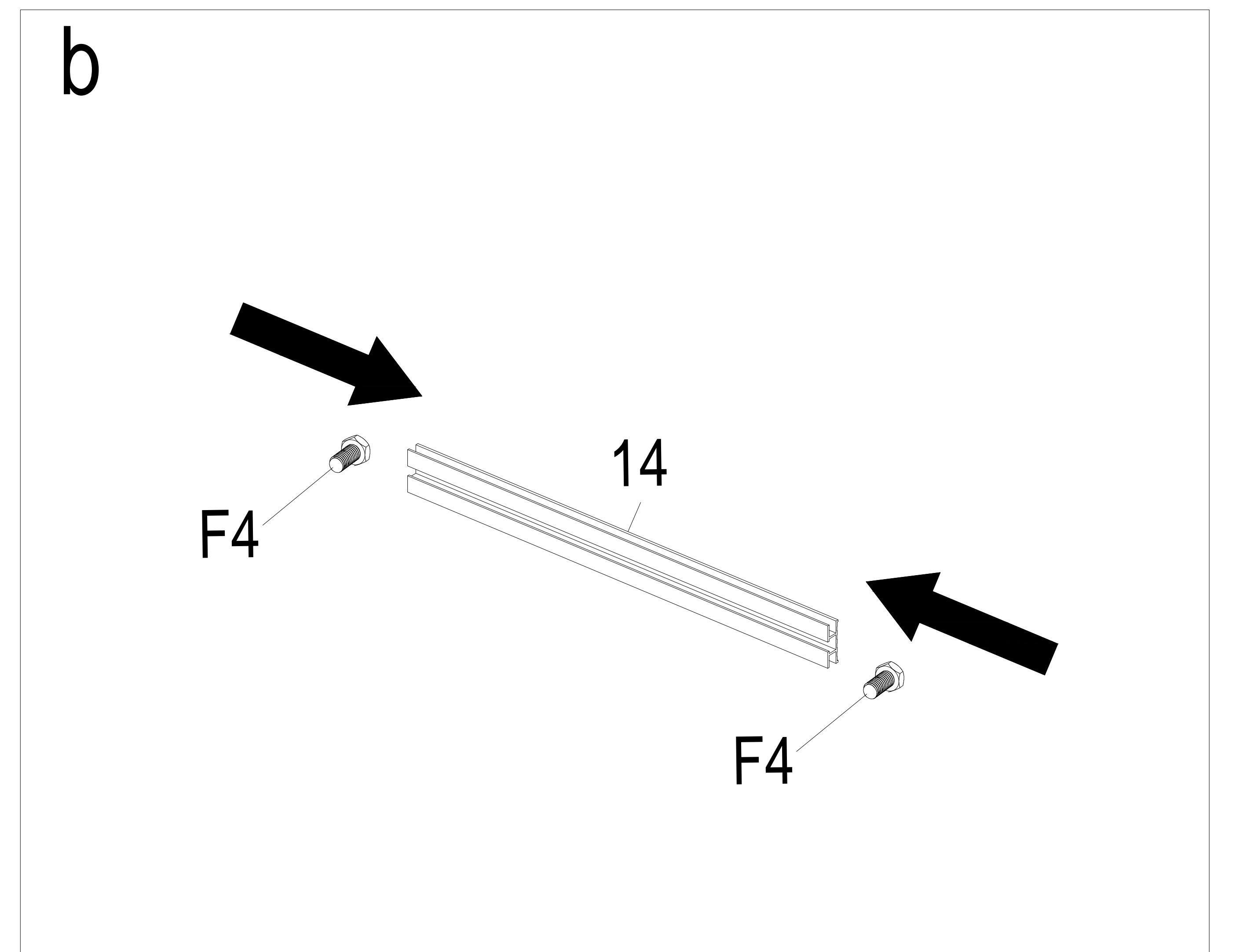
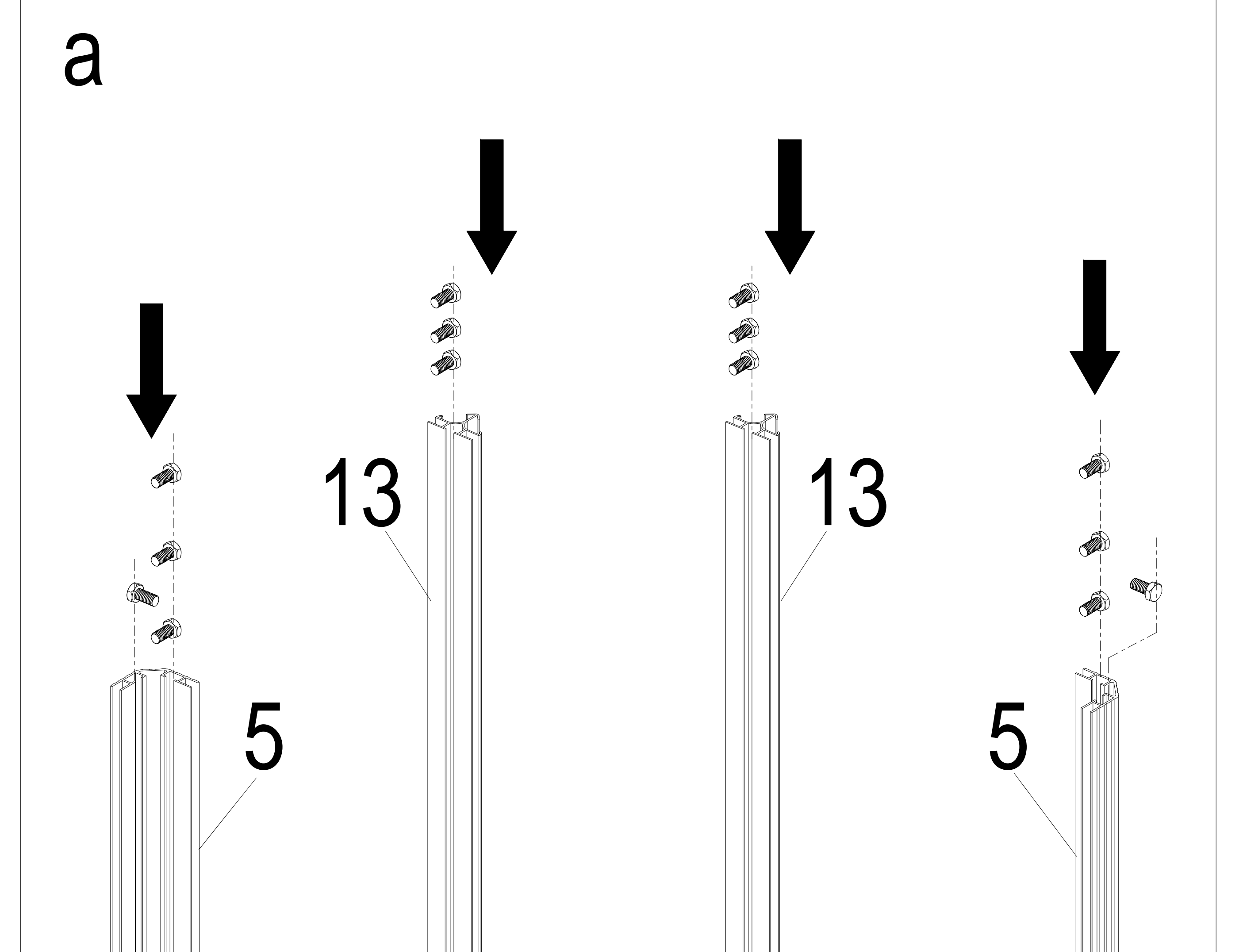
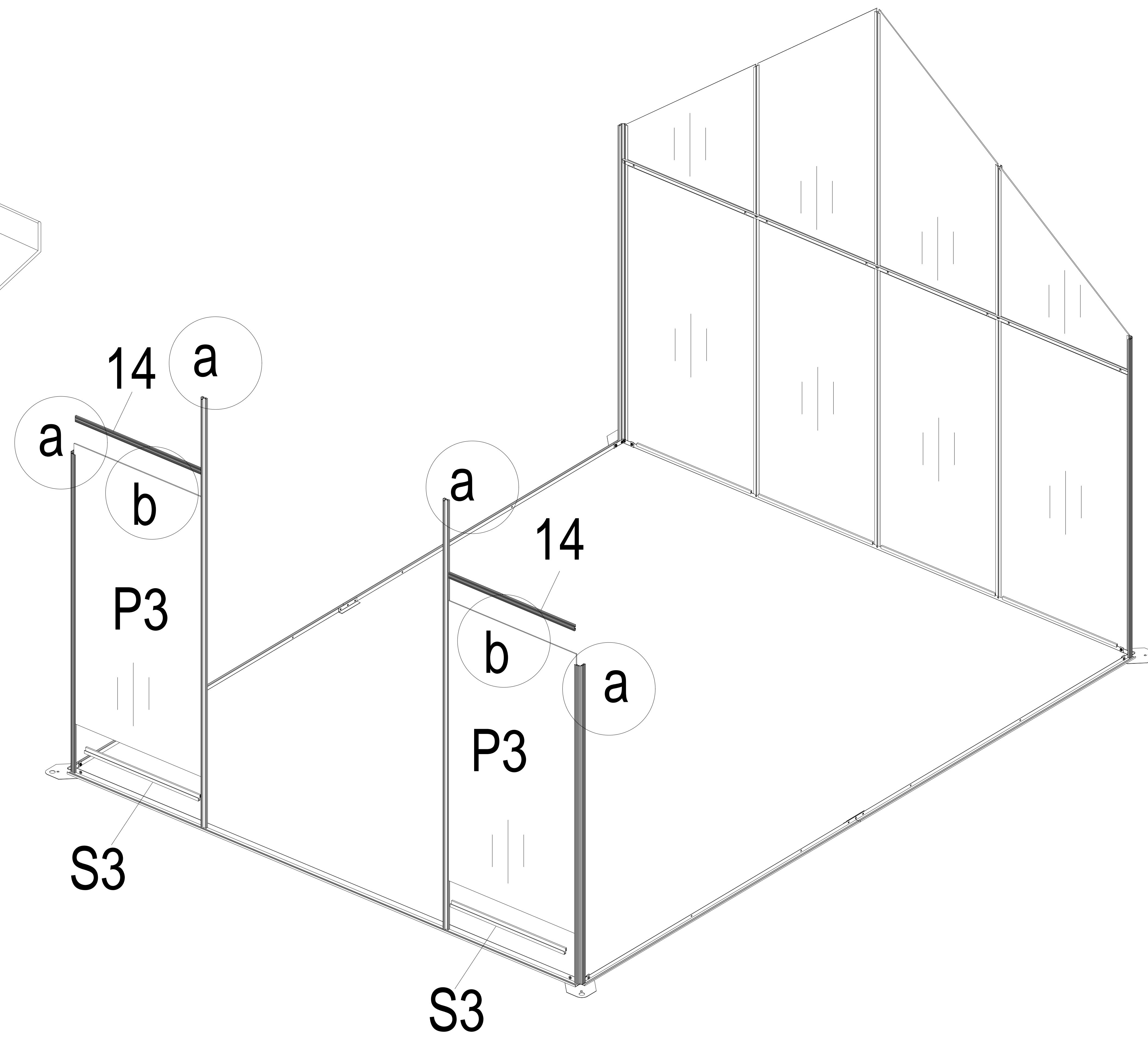
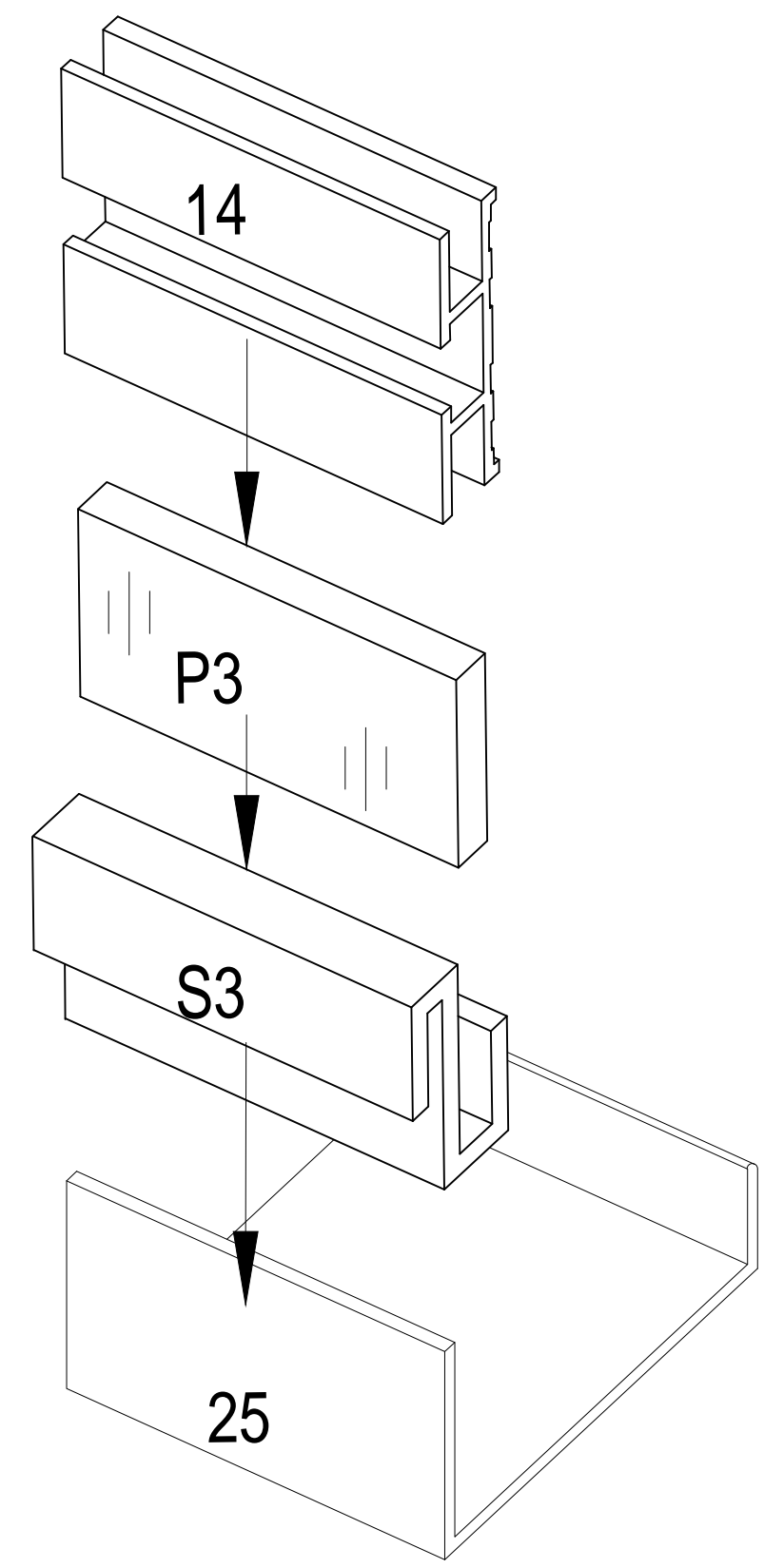
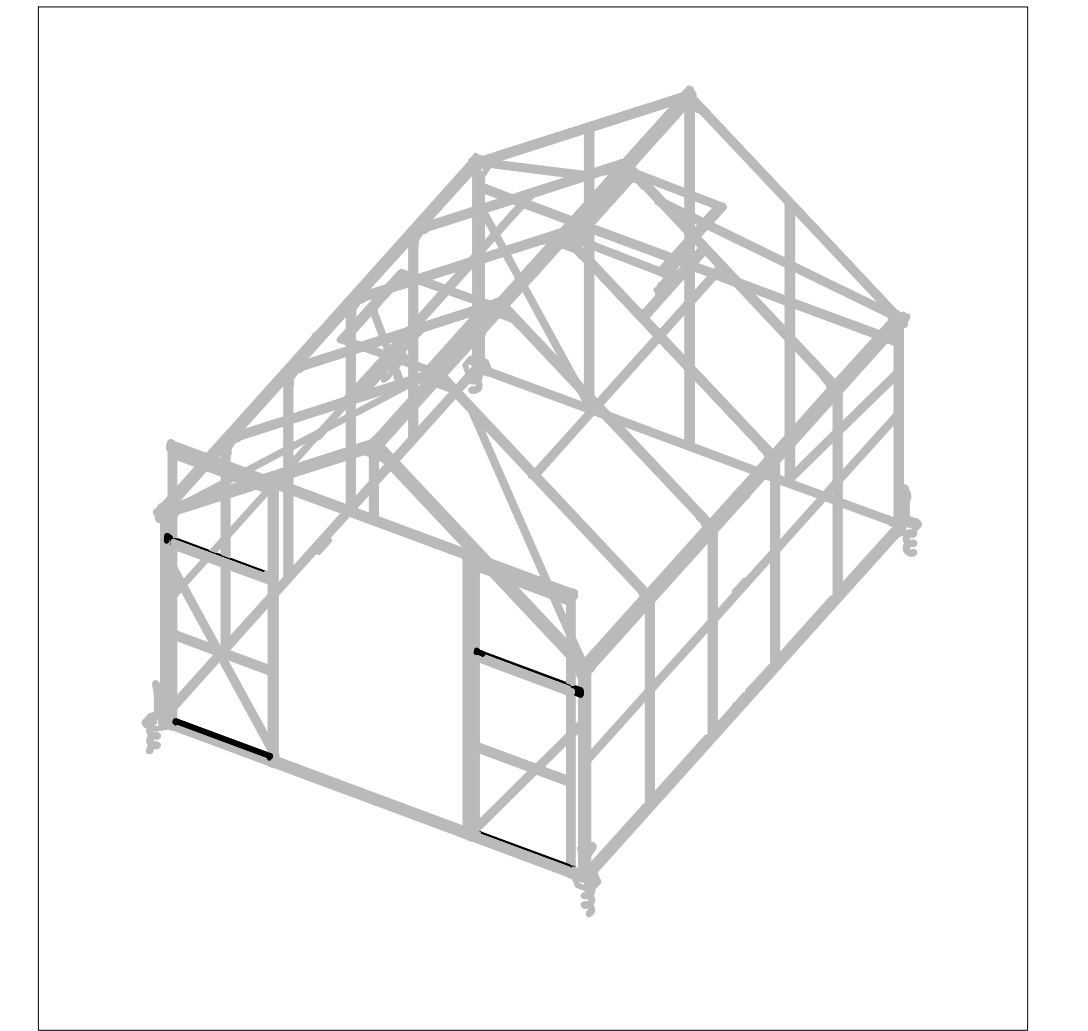
14x2

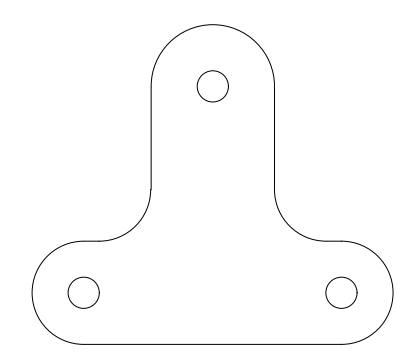


S3x2

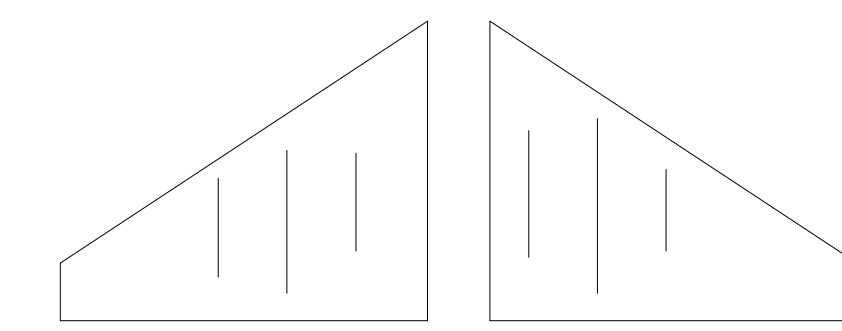


P3x2



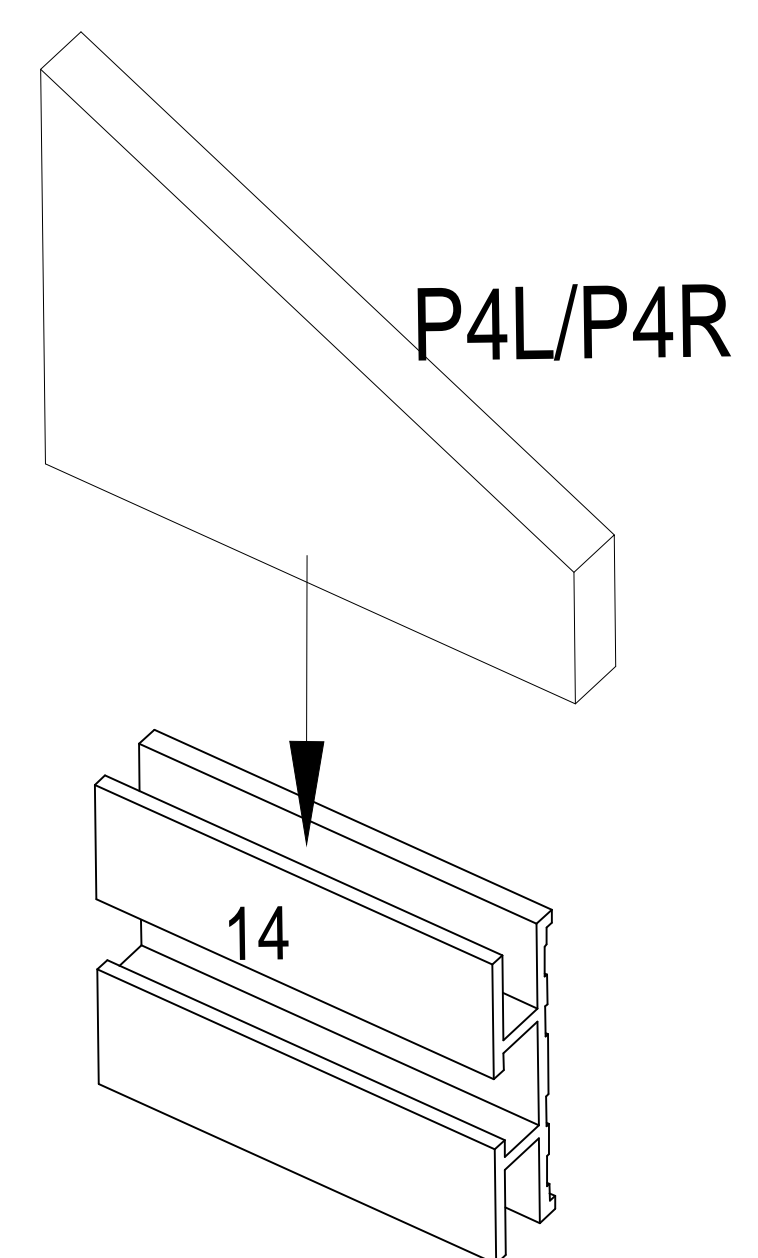
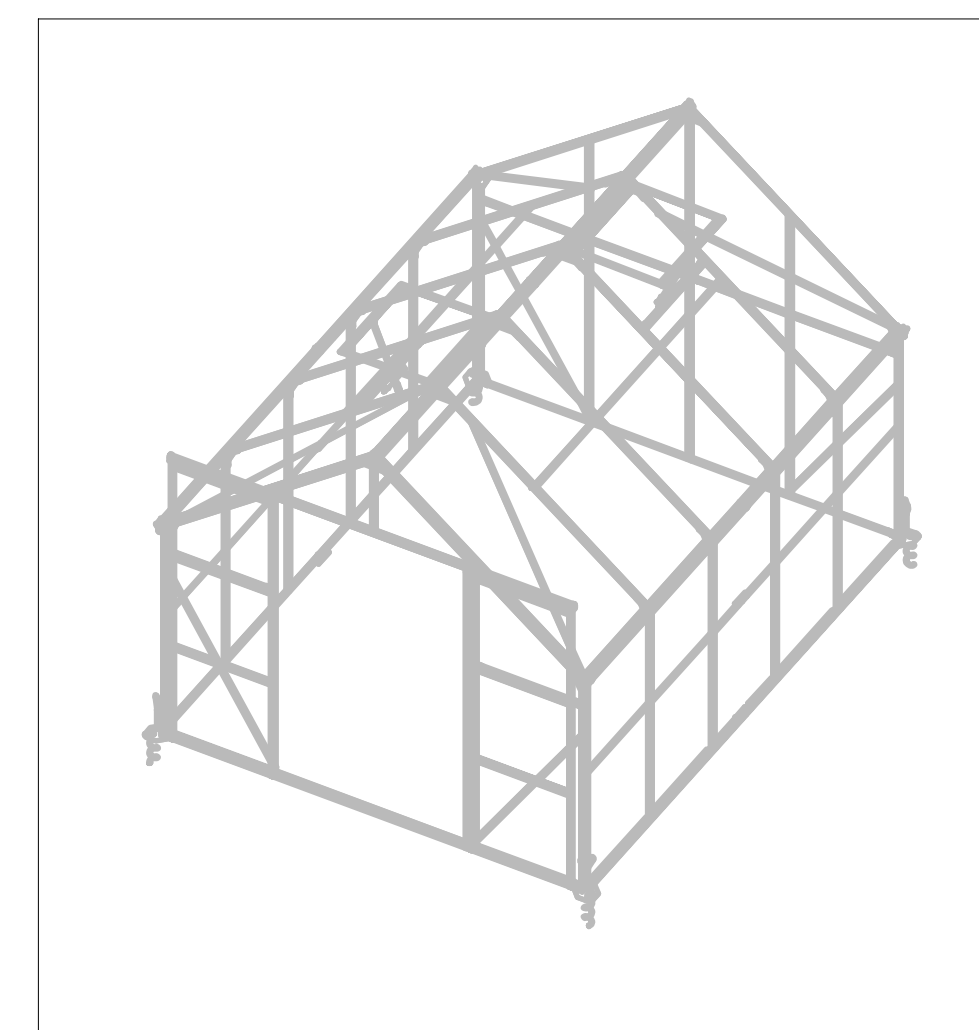


B4x4



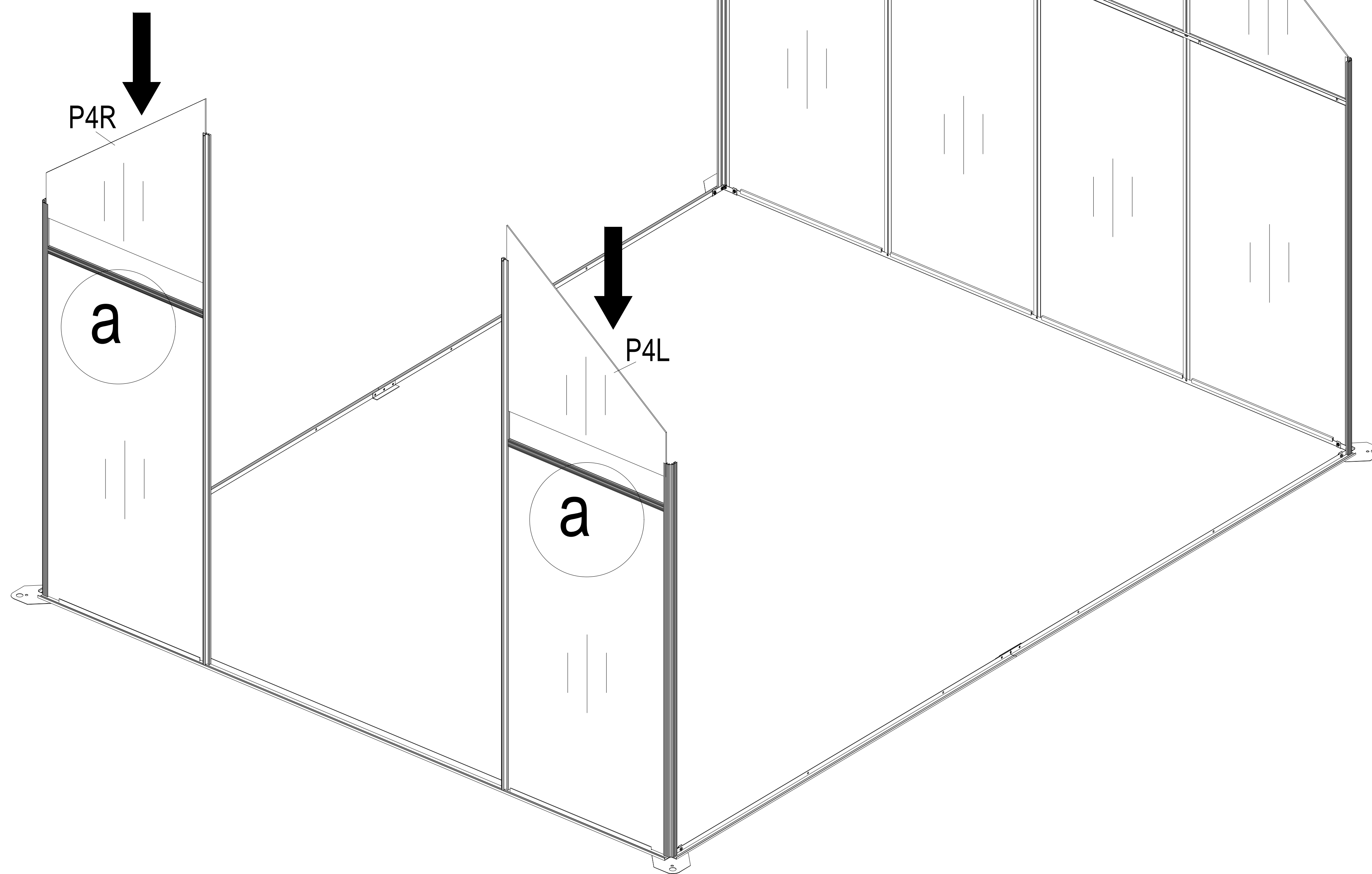
P4Lx1

P4Rx1



P4L/P4R

14

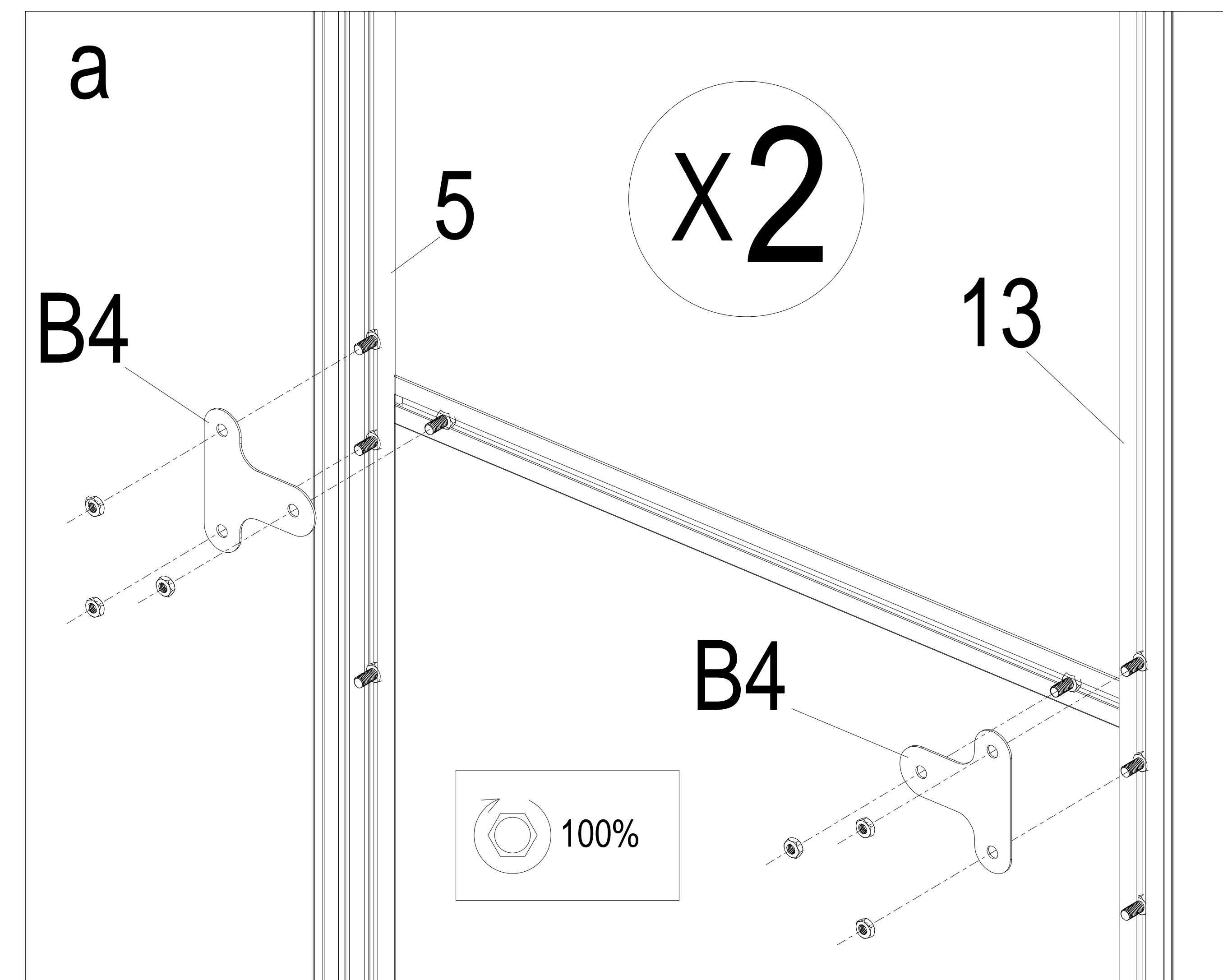


P4R

a

P4L

a



a

x2

B4

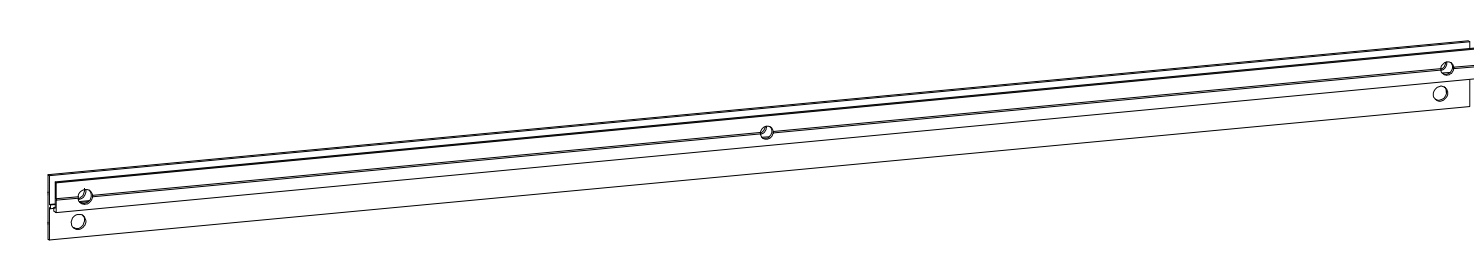
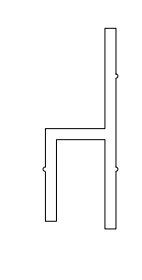
5

13

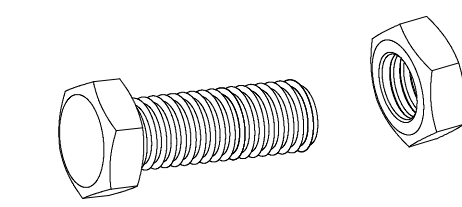
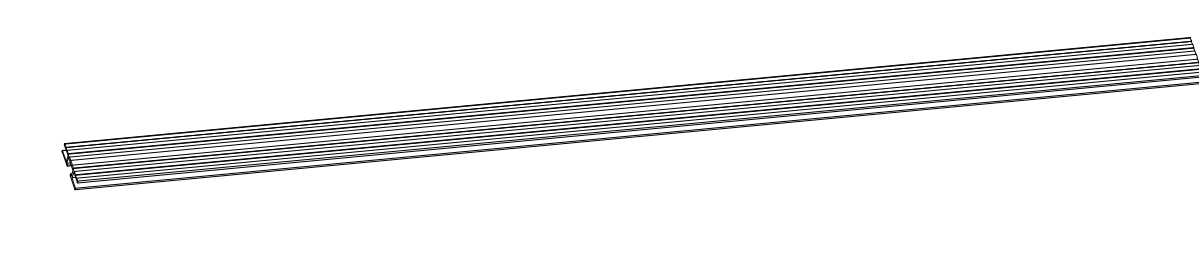
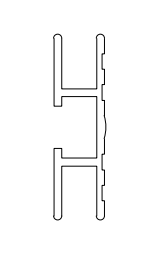
B4

100%

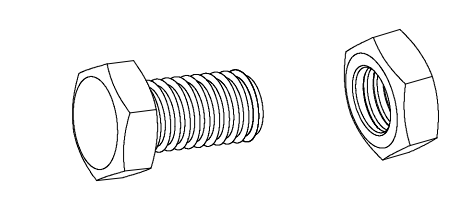
23x1



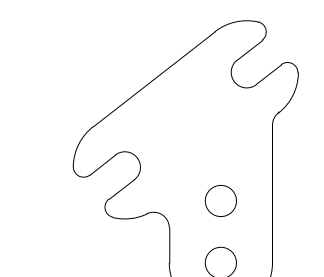
17x1



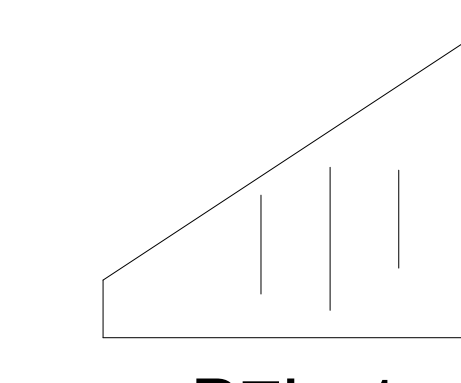
(M5x20)
F6x3



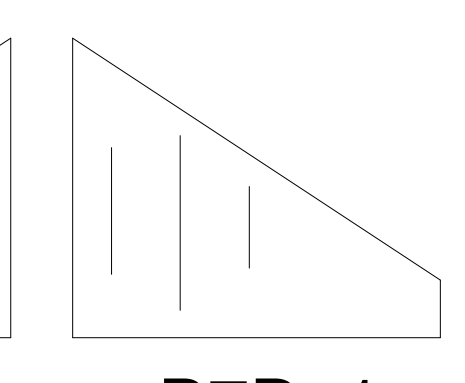
(M5x10)
F4x2



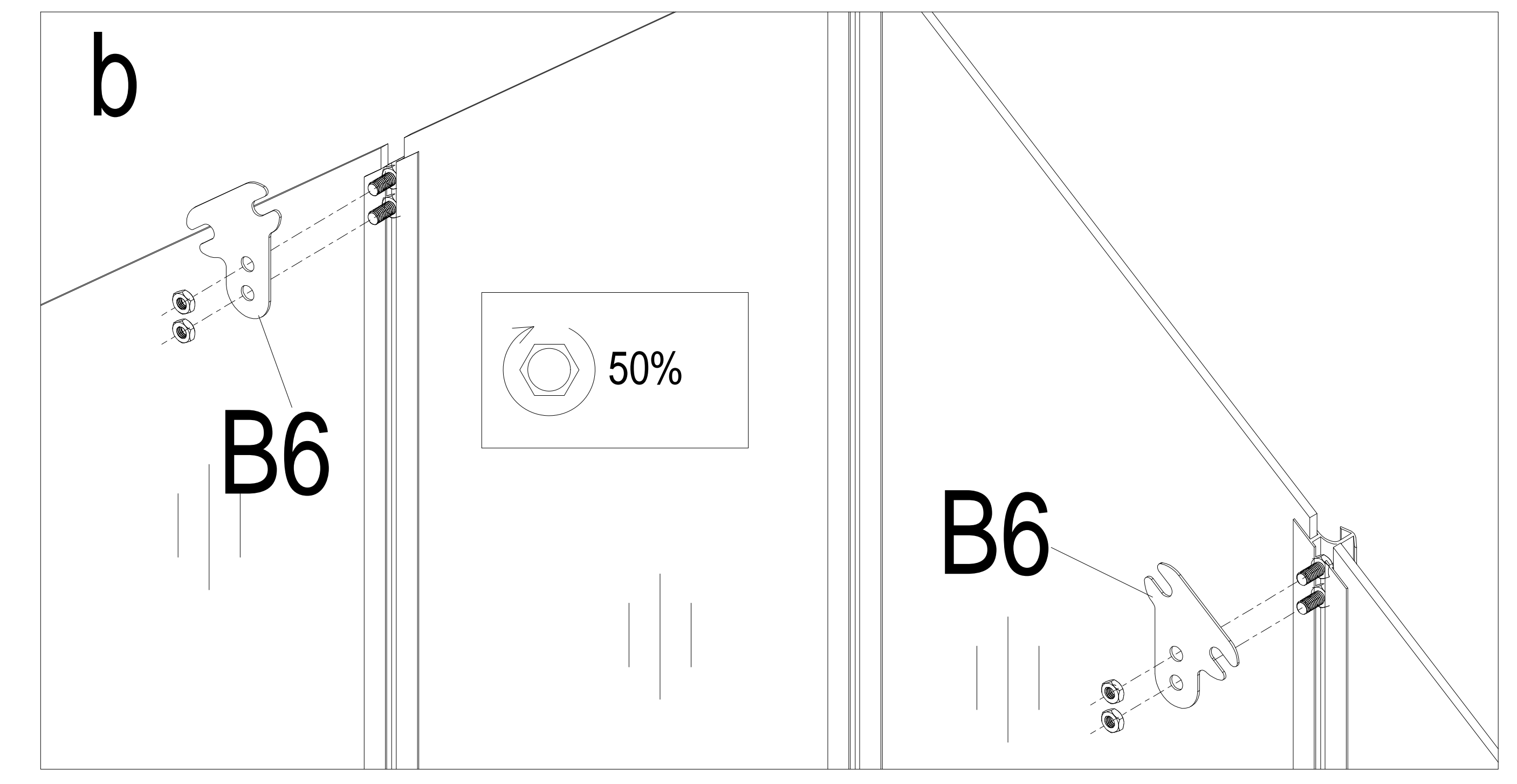
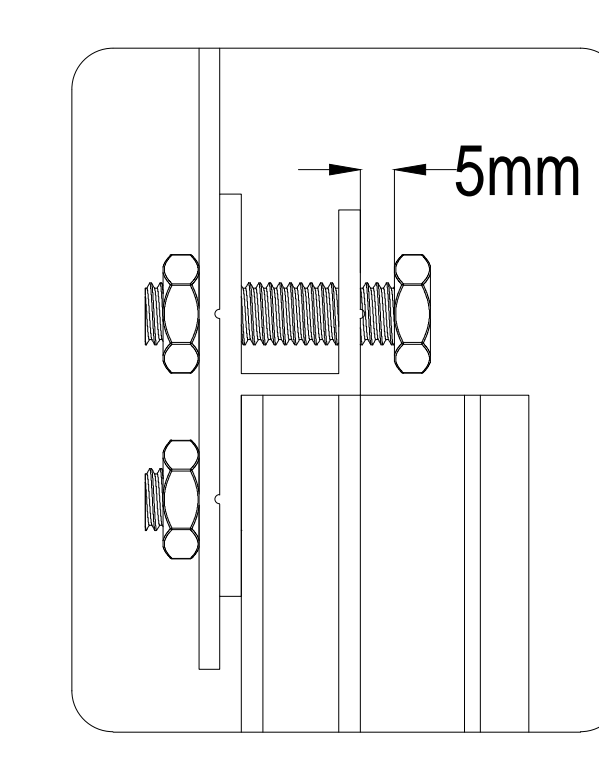
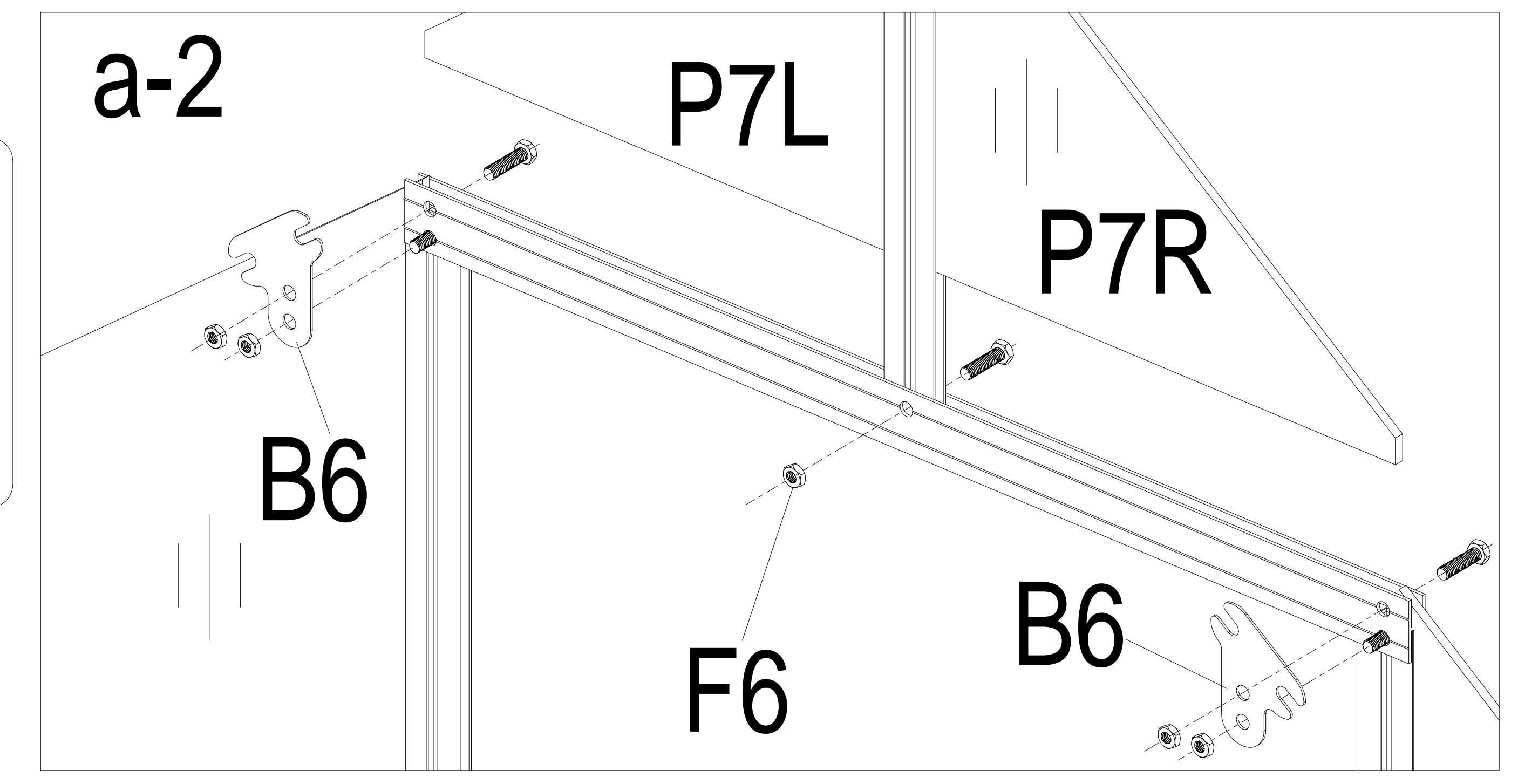
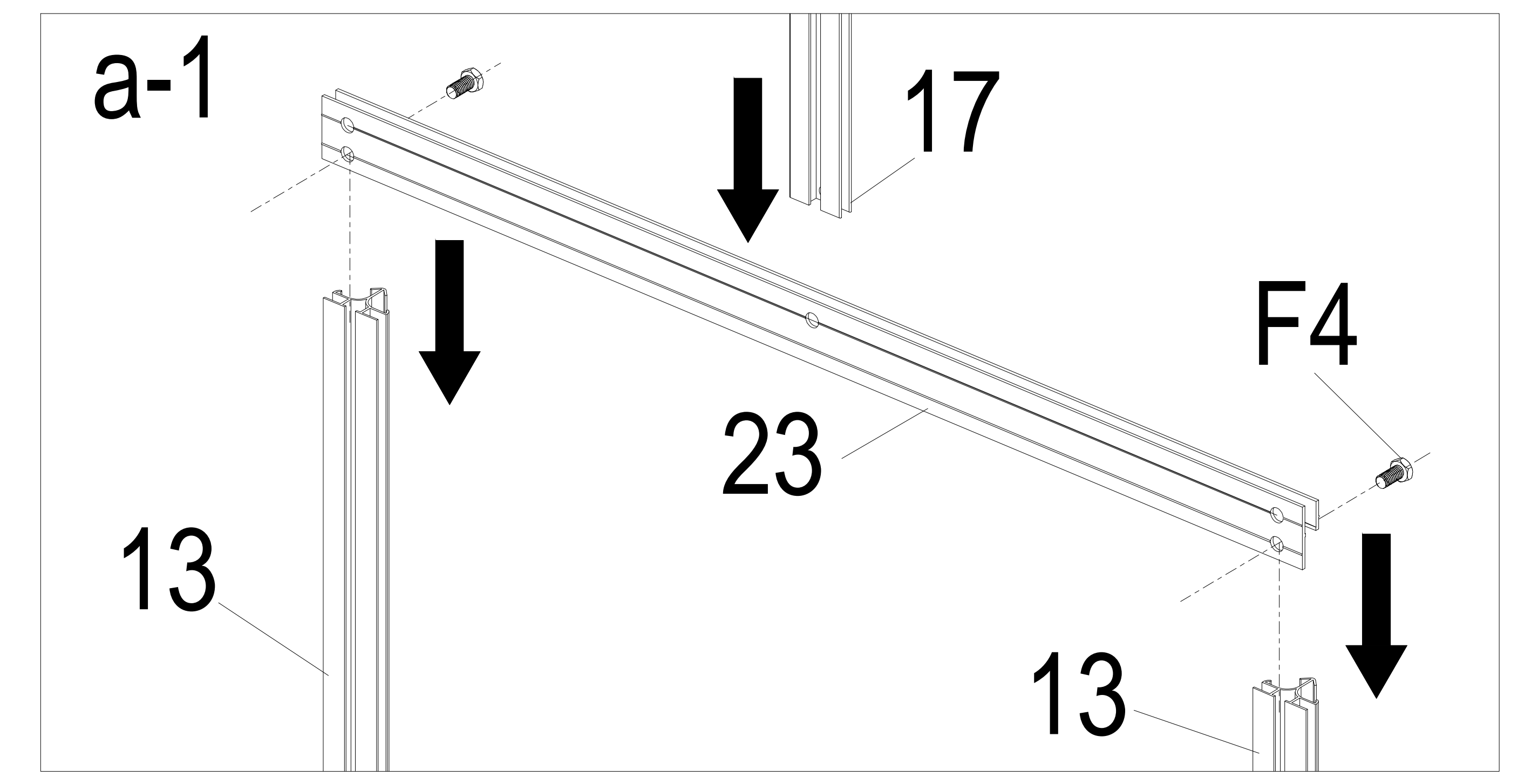
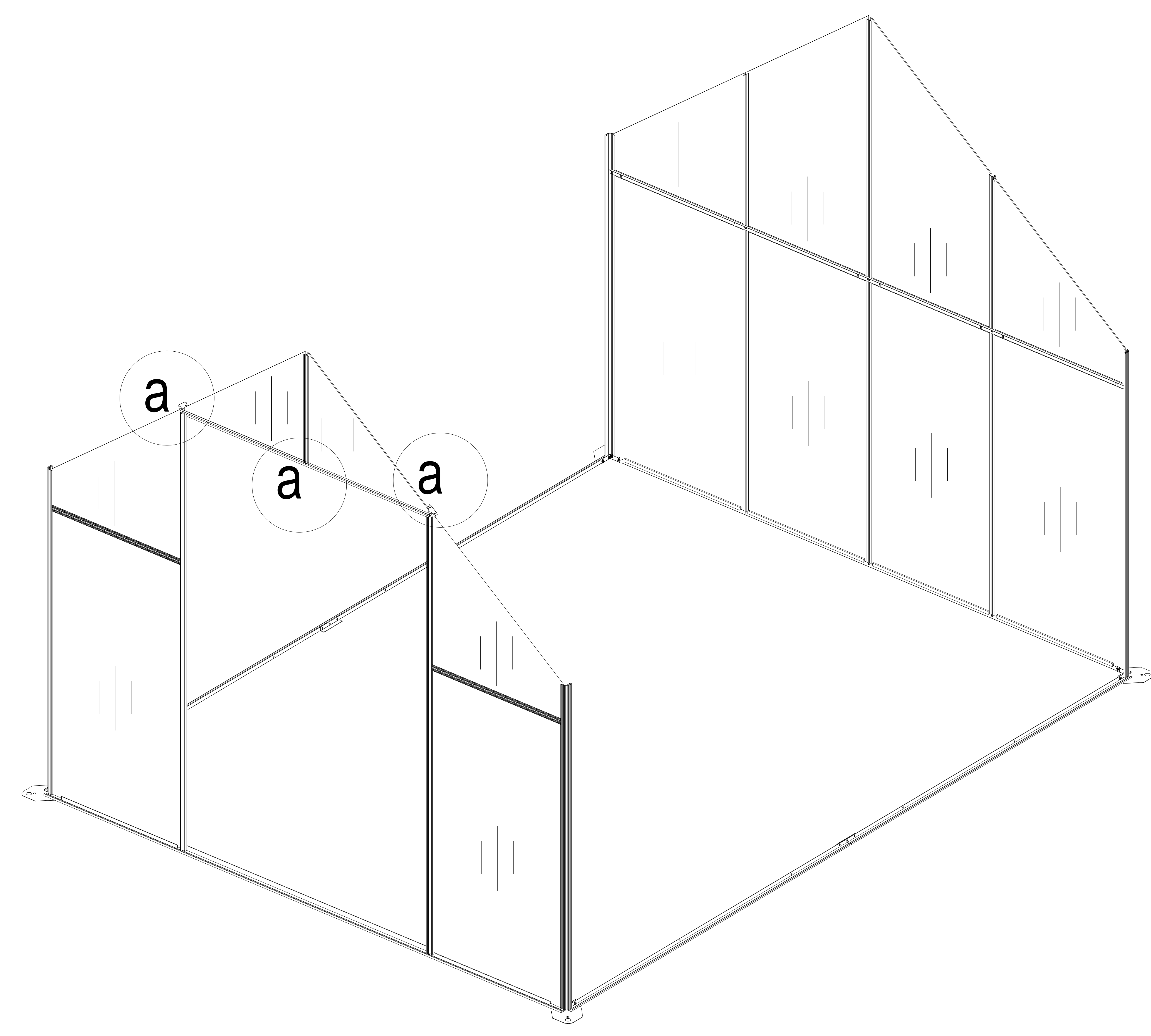
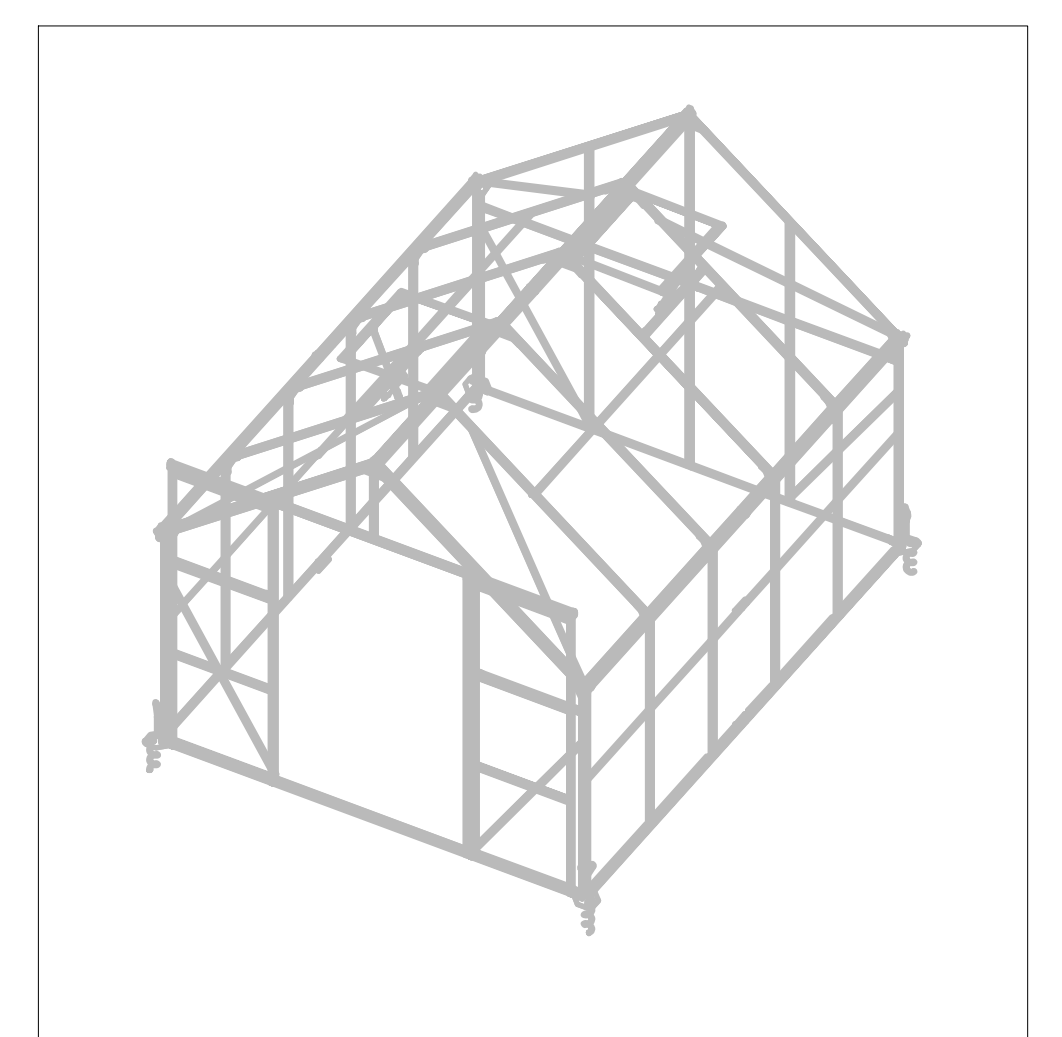
B6x4



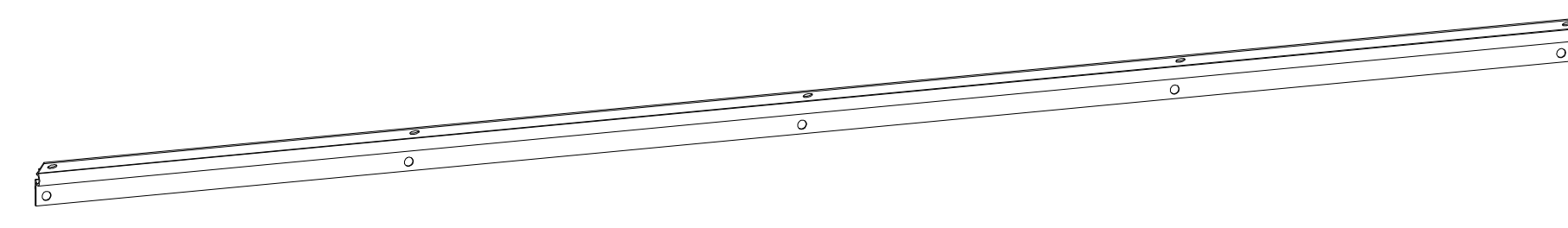
P7Lx1



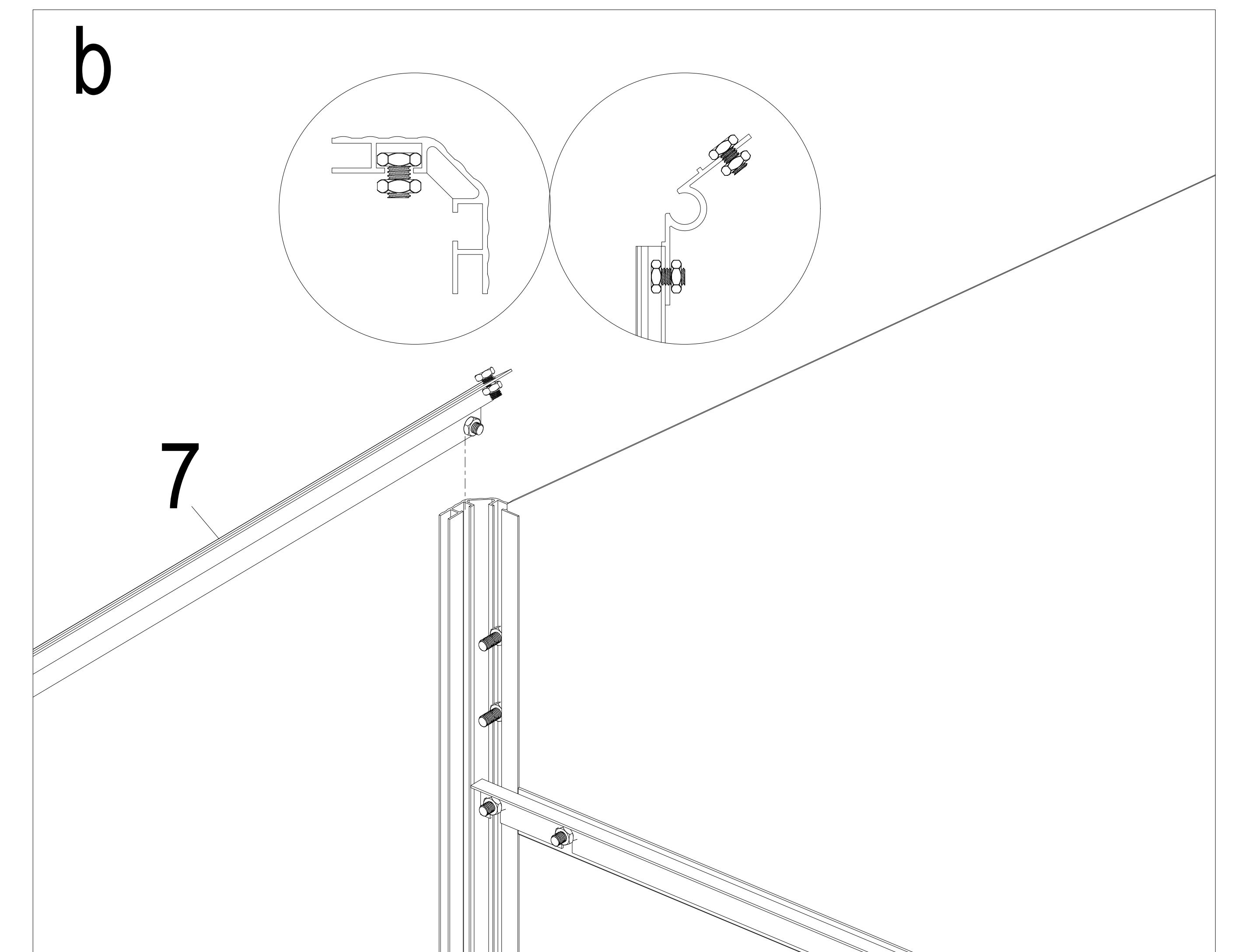
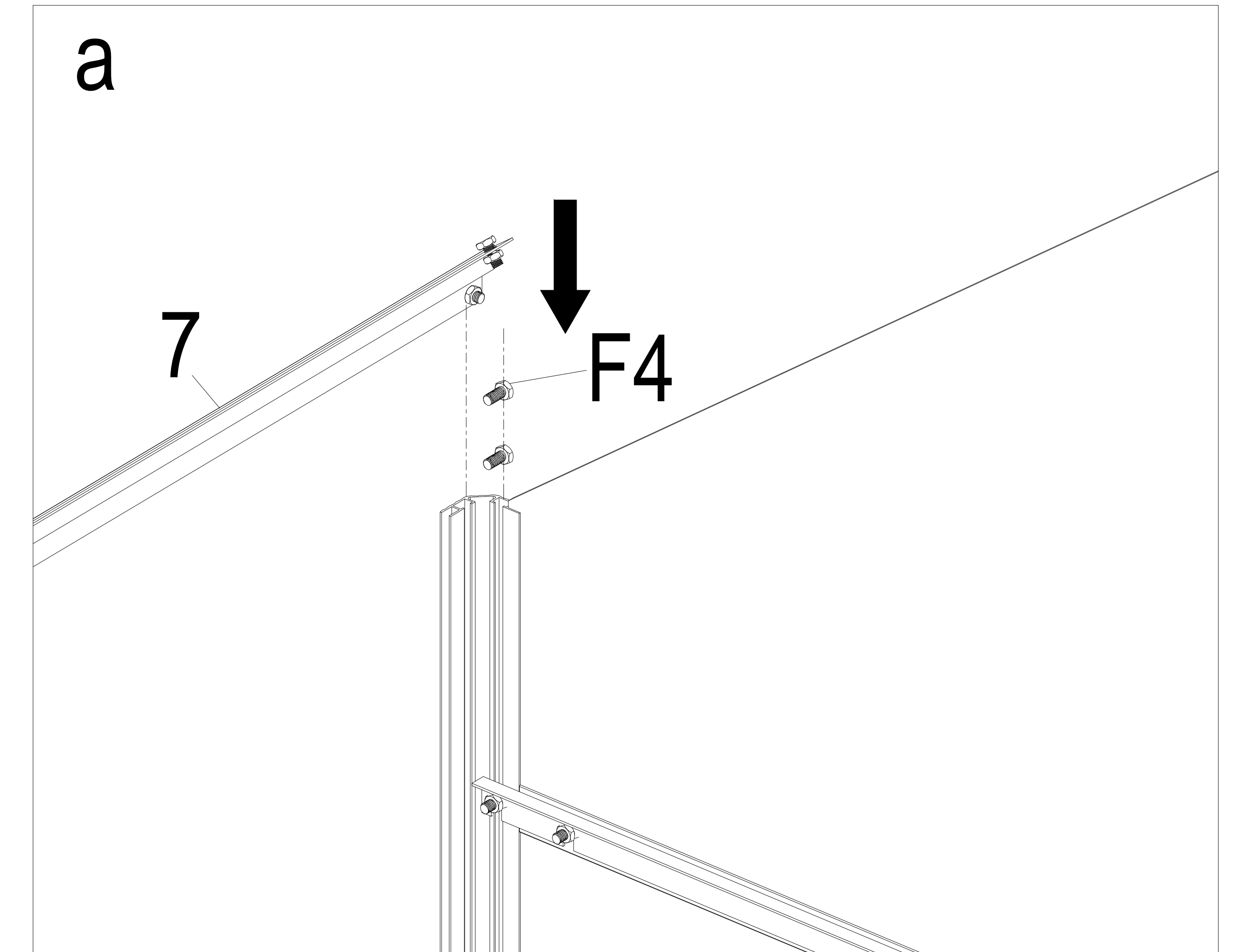
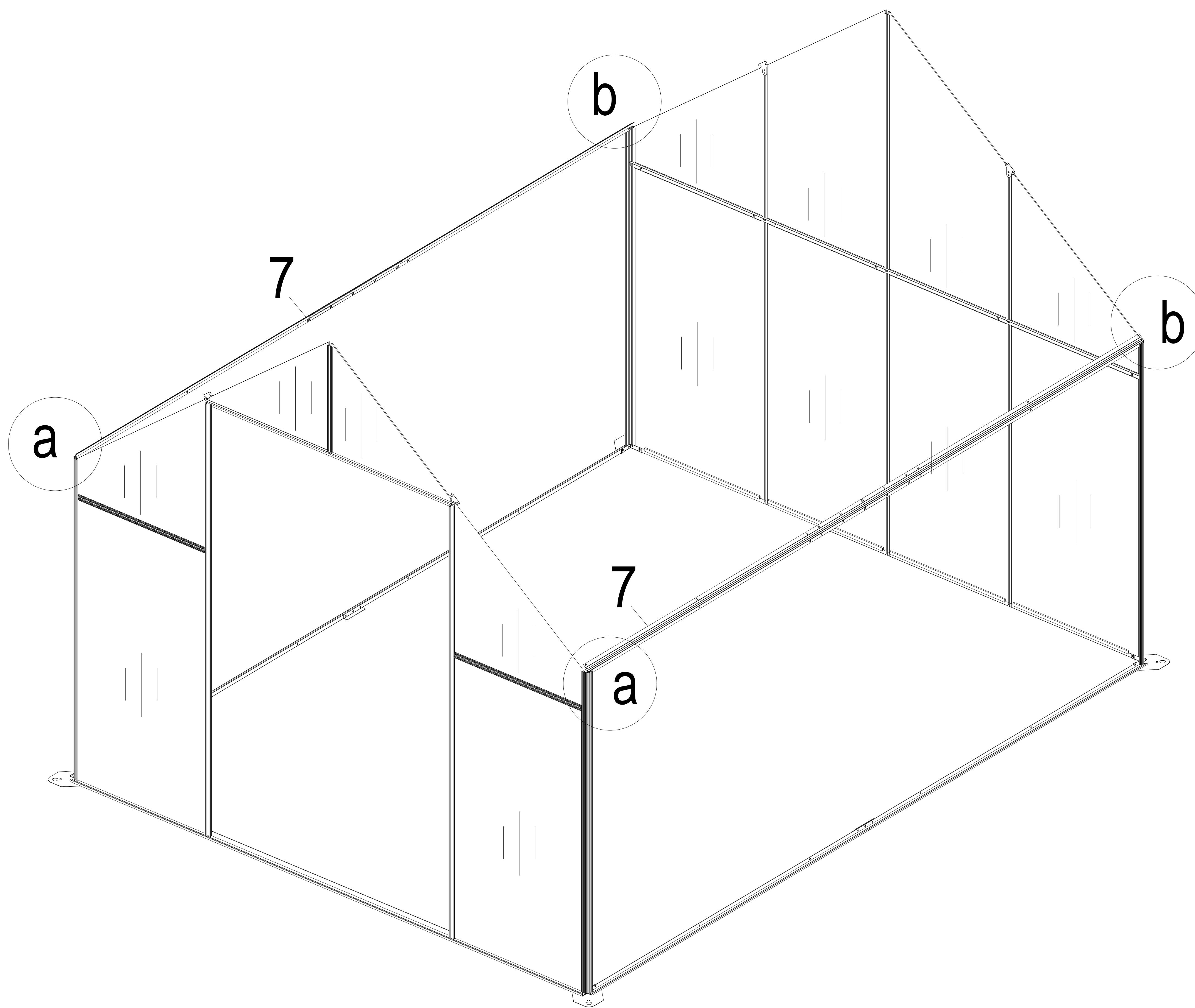
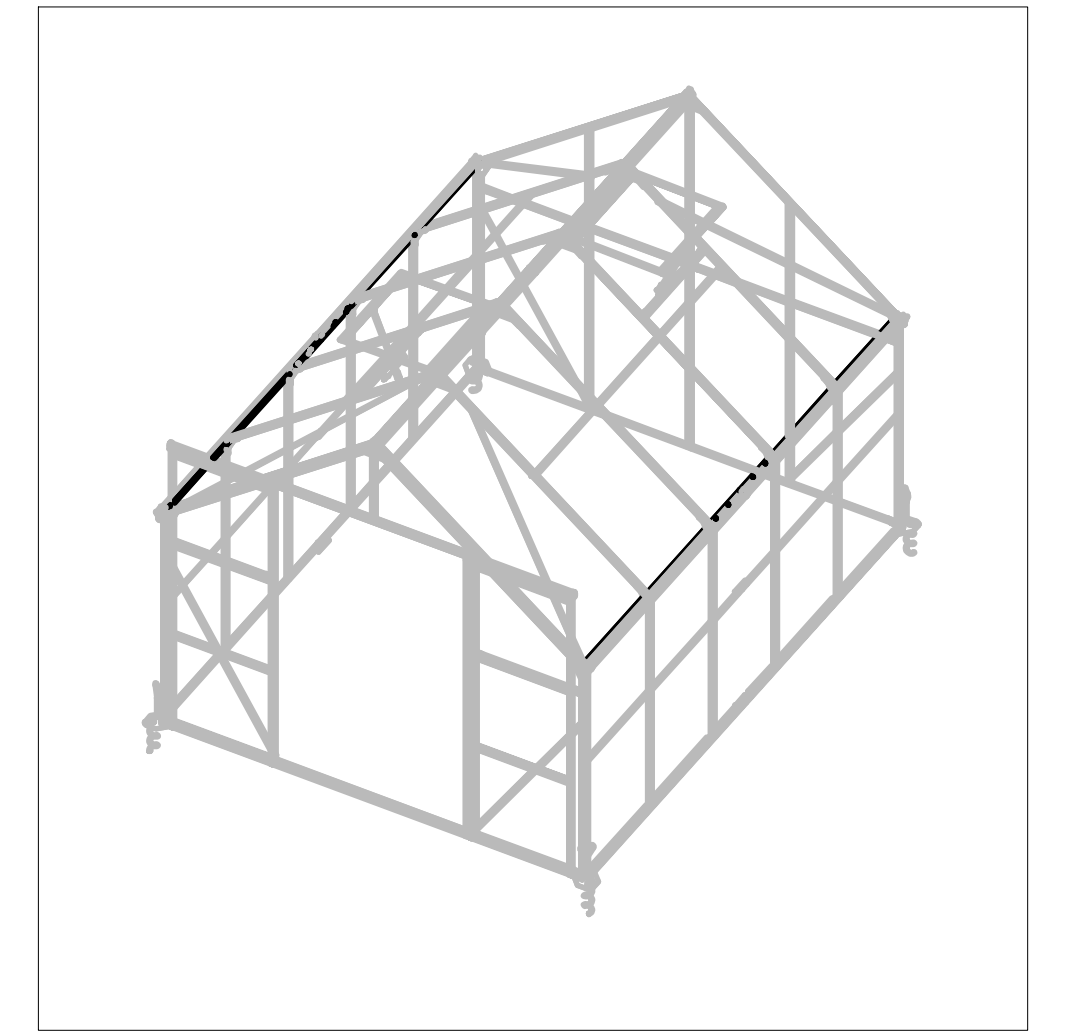
P7Rx1



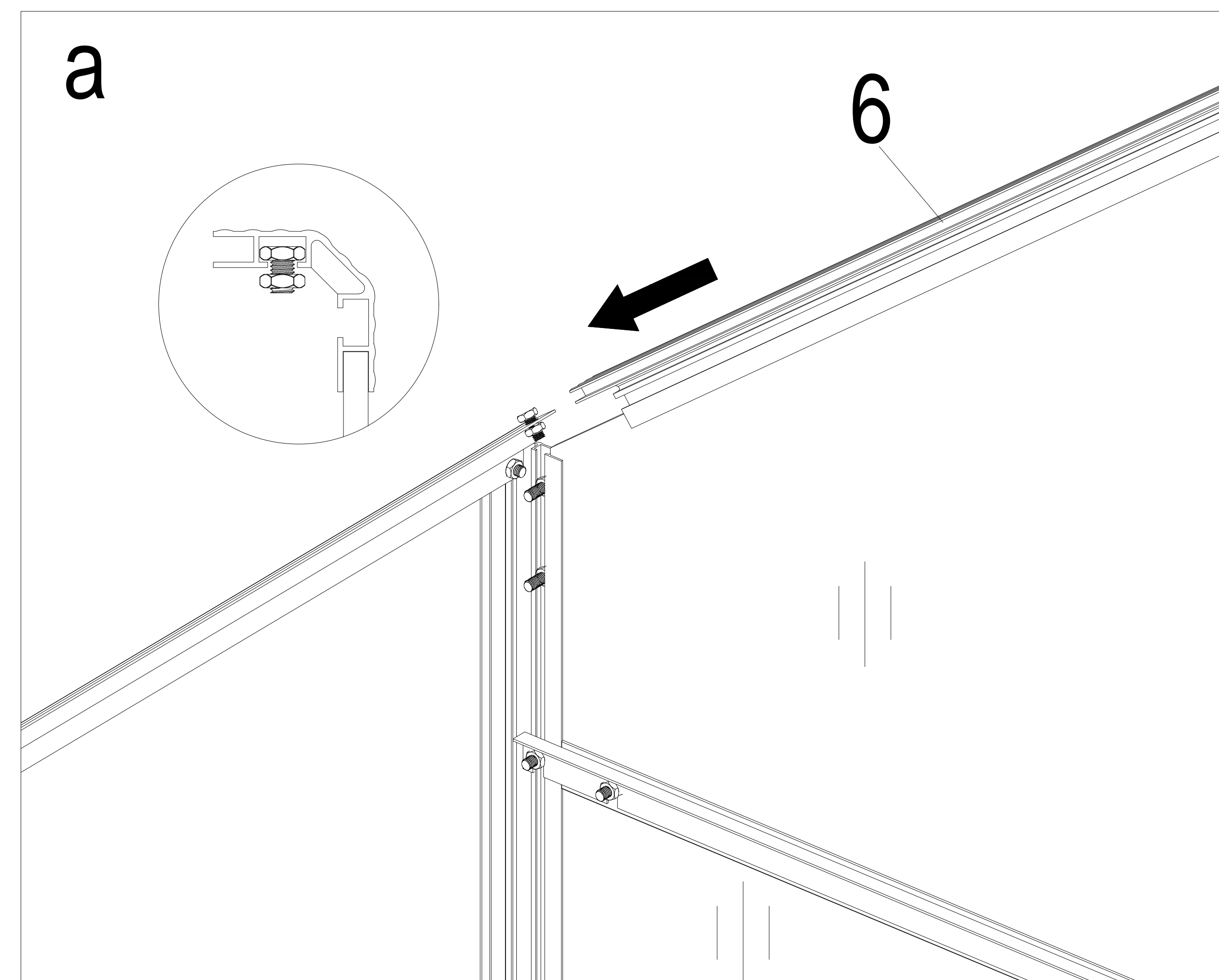
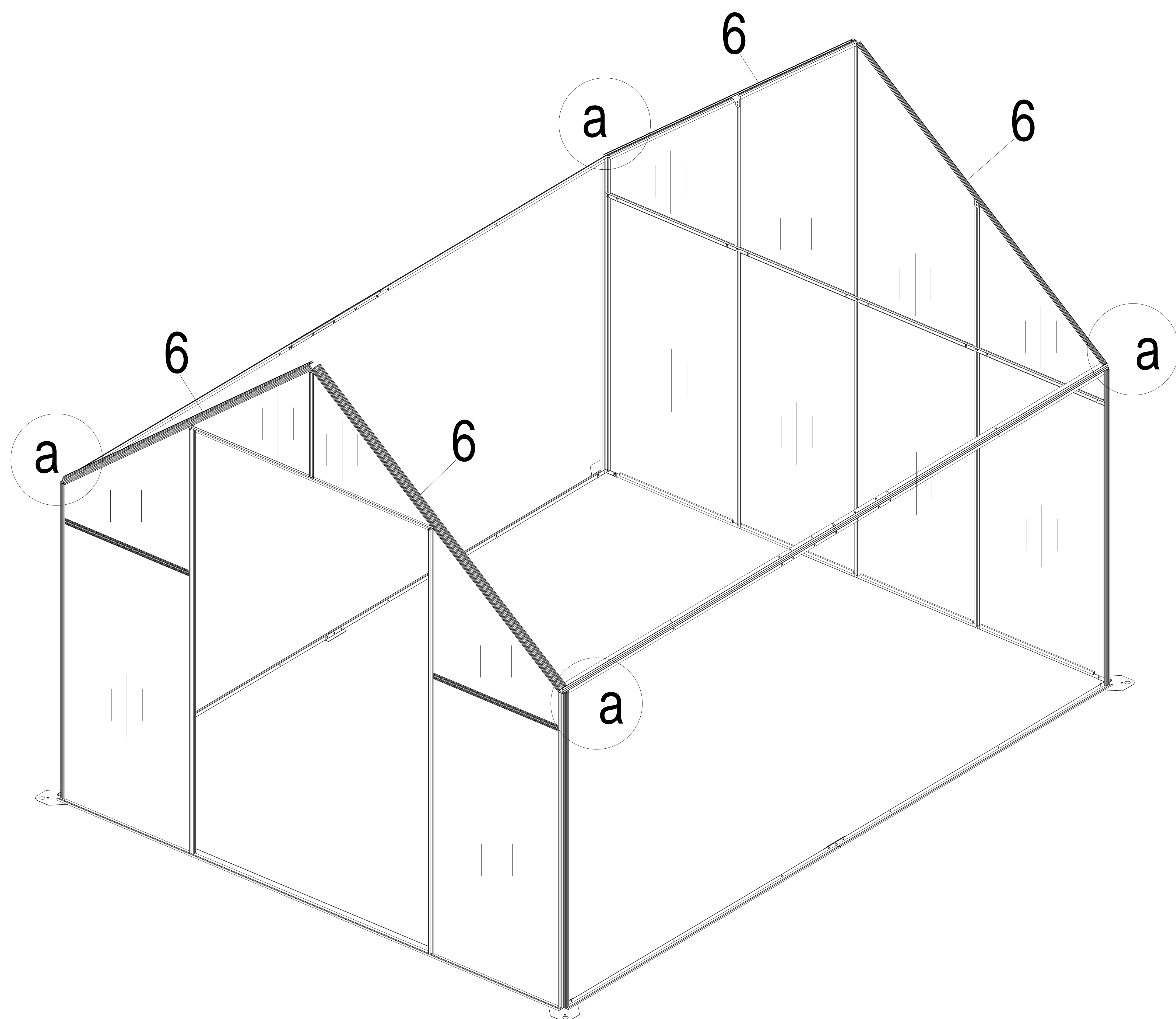
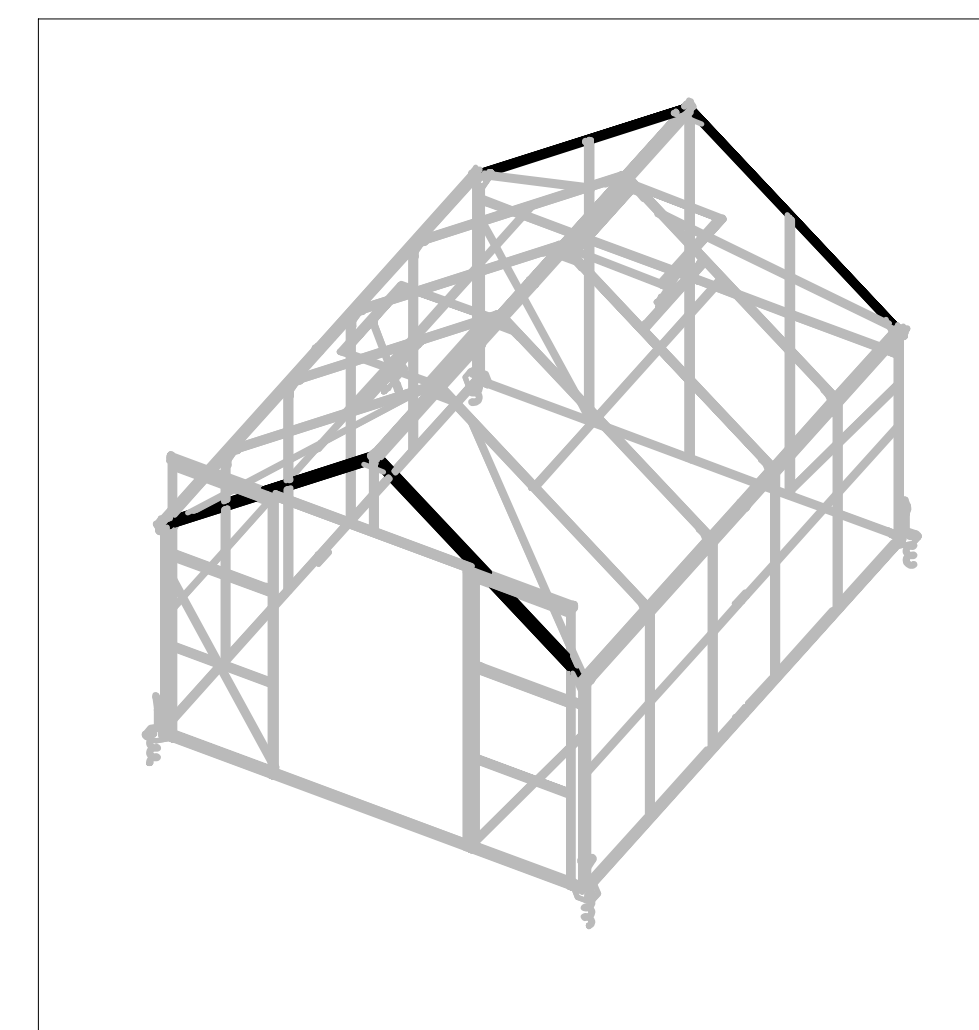
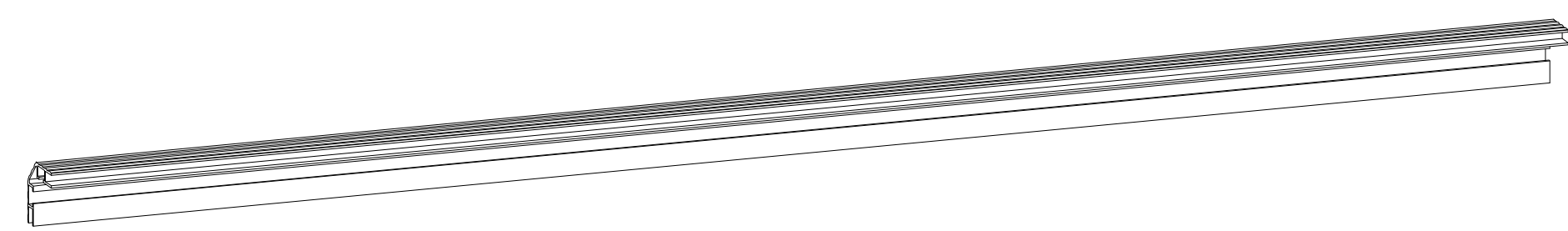
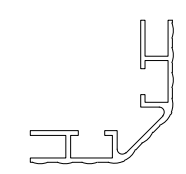
7x4



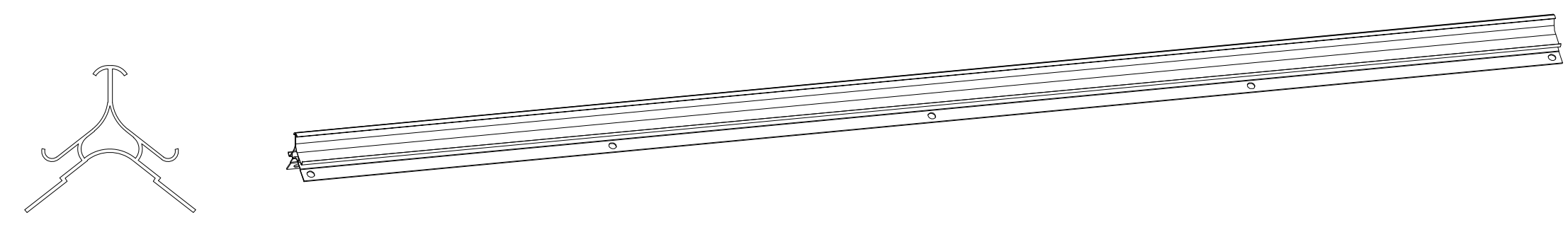
(M5x10)
F4x4



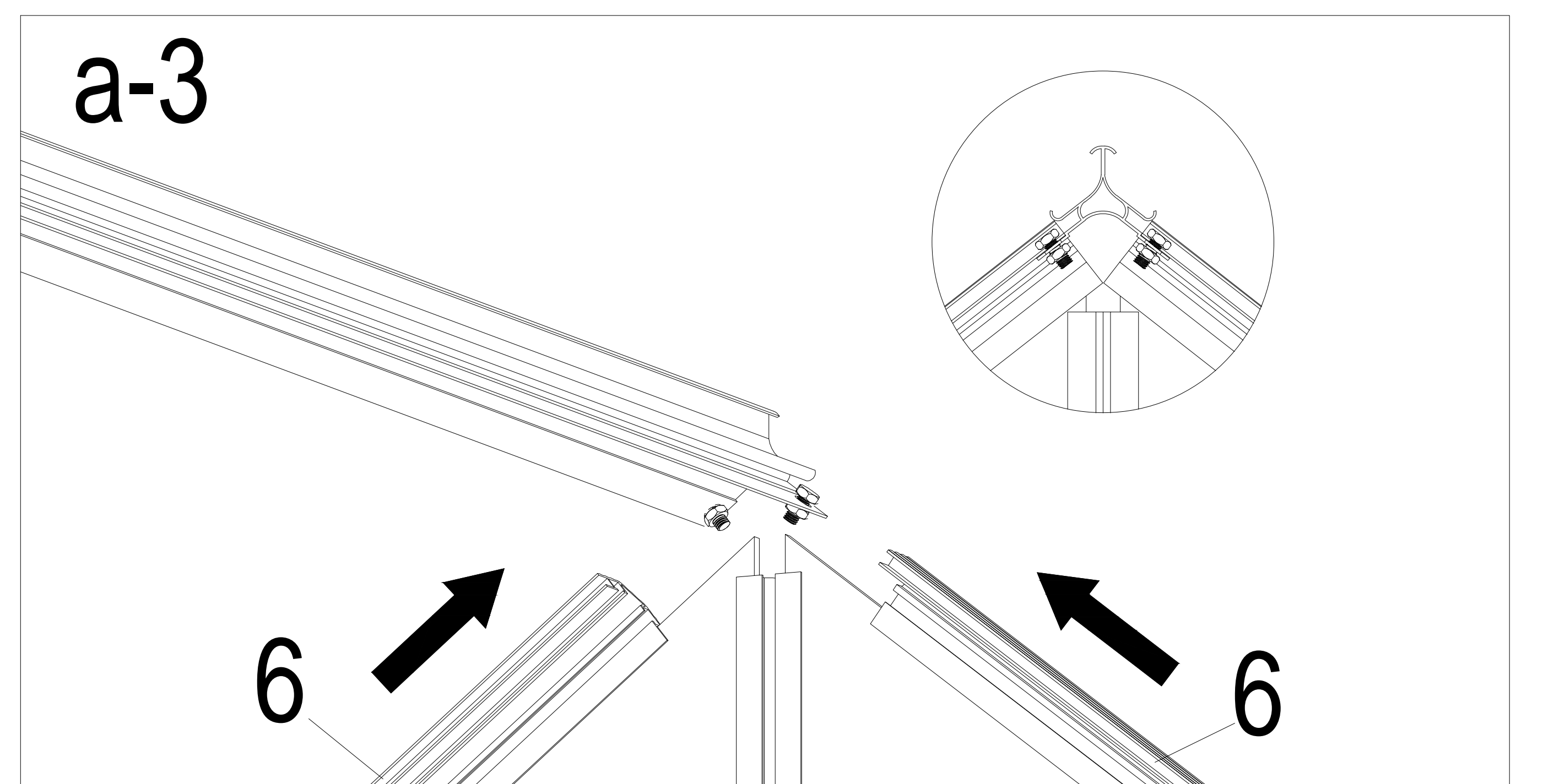
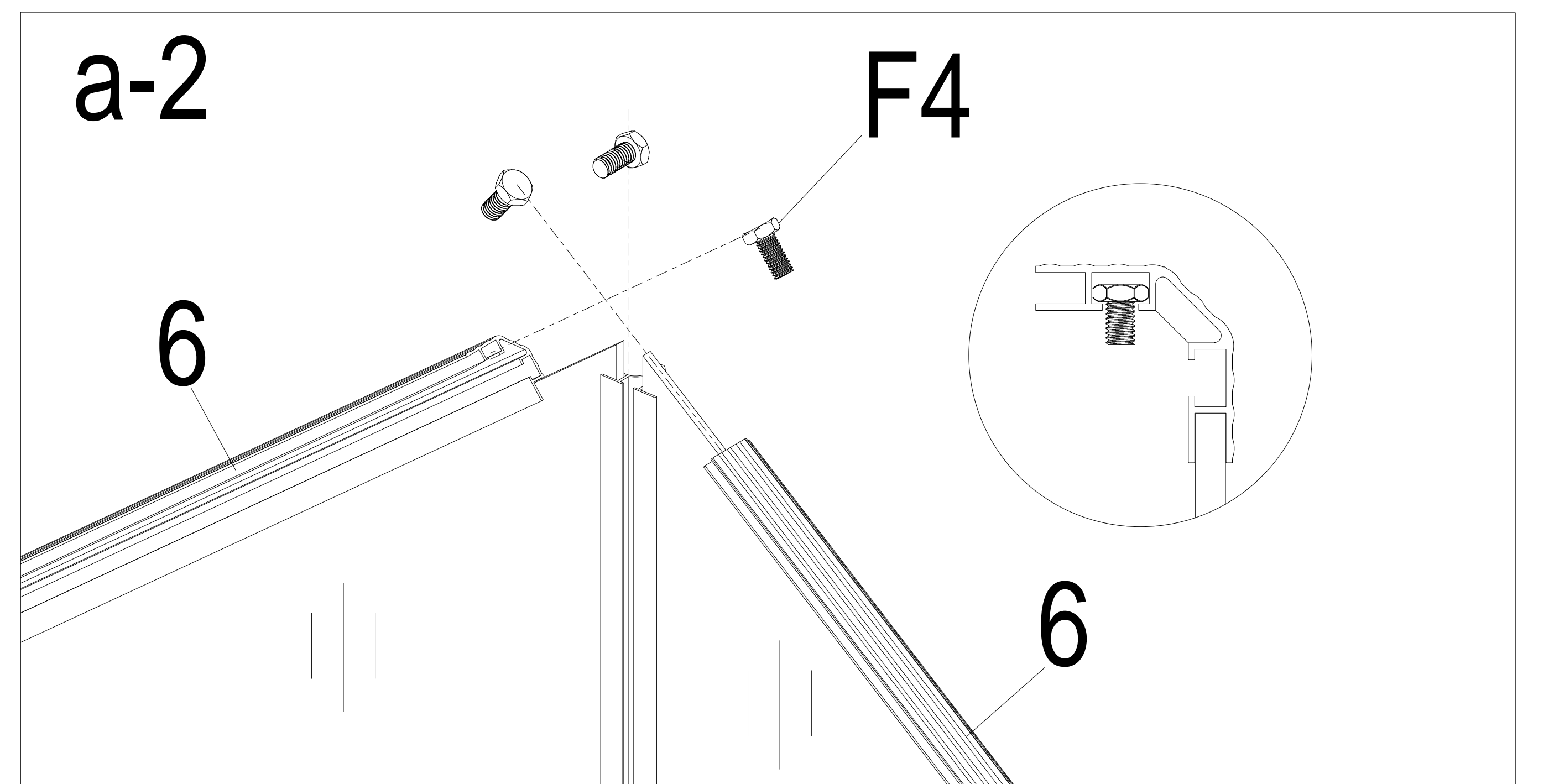
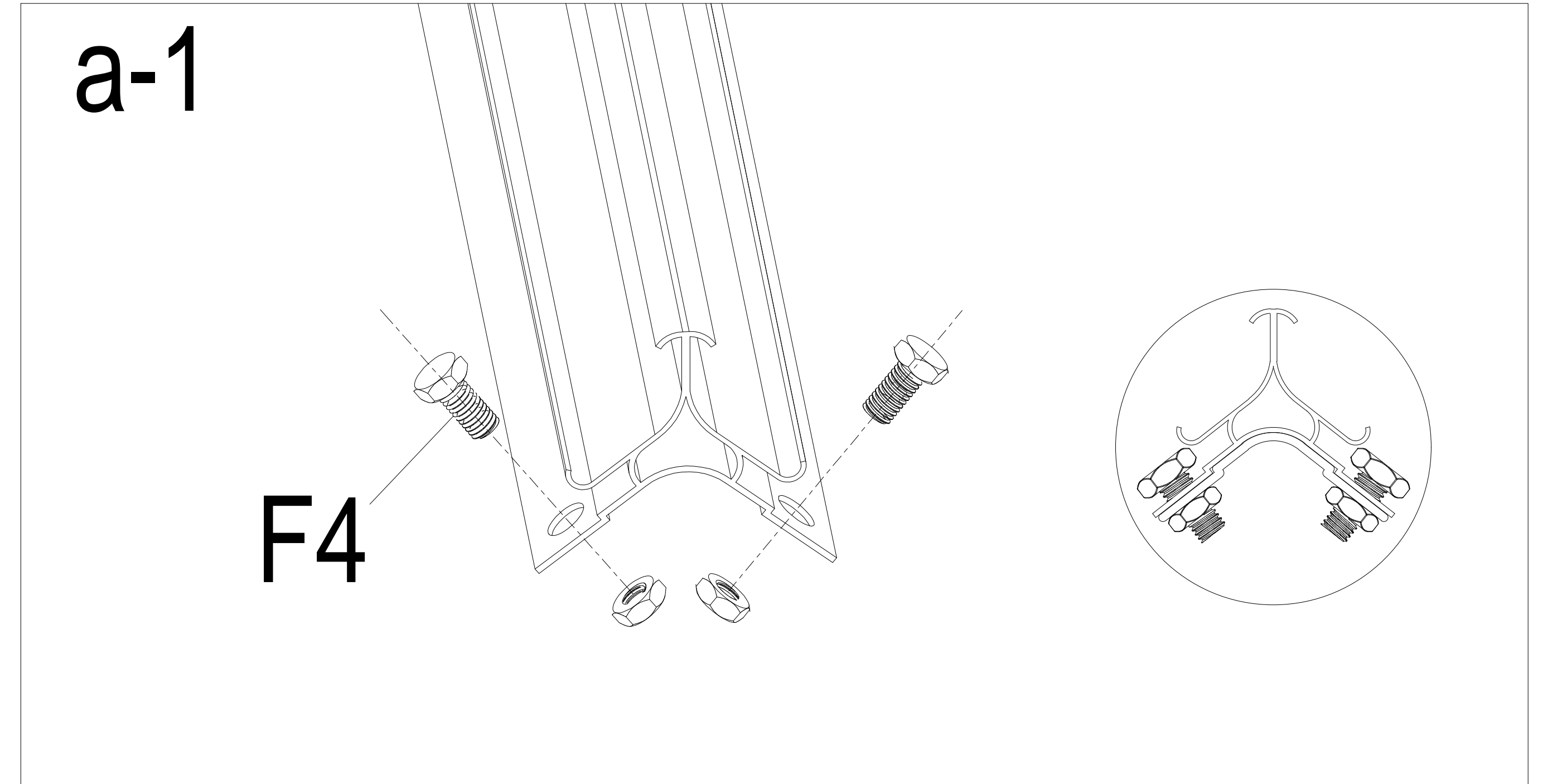
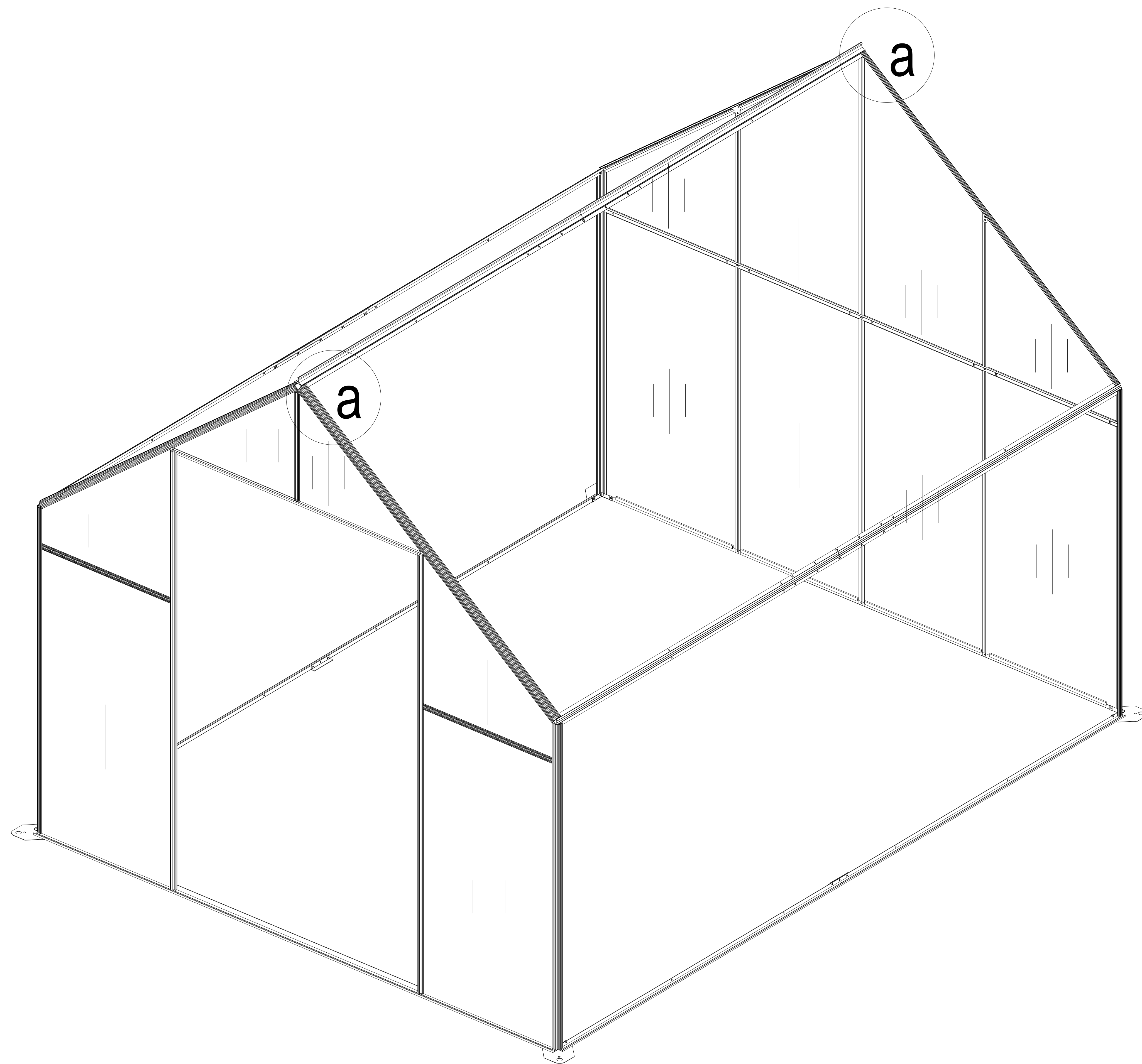
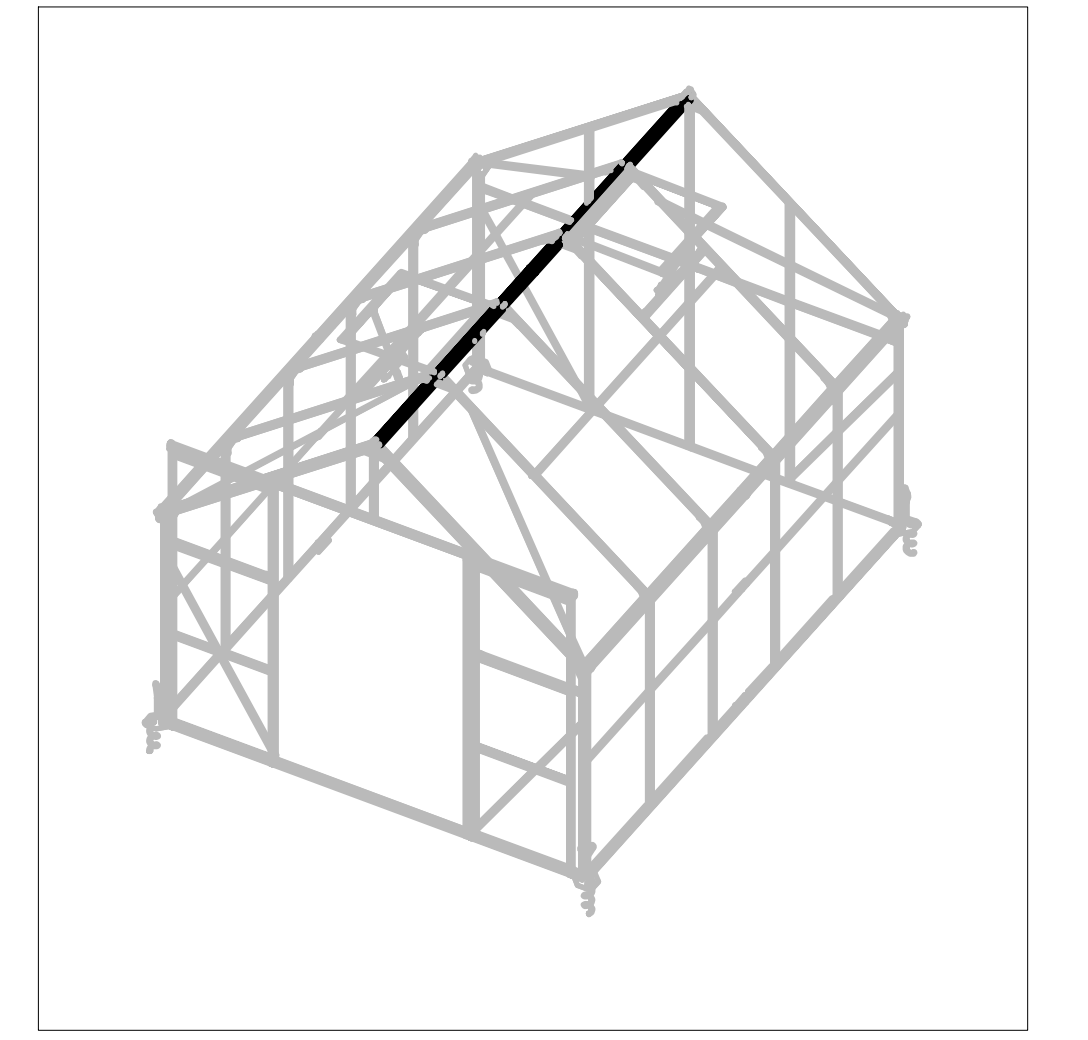
6x4

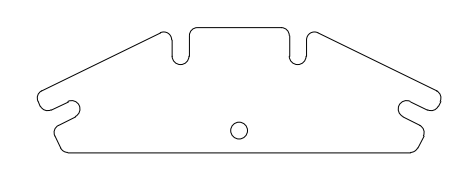


1x2

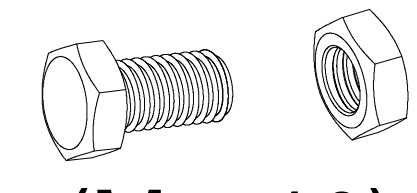


(M5x10)
F4x10

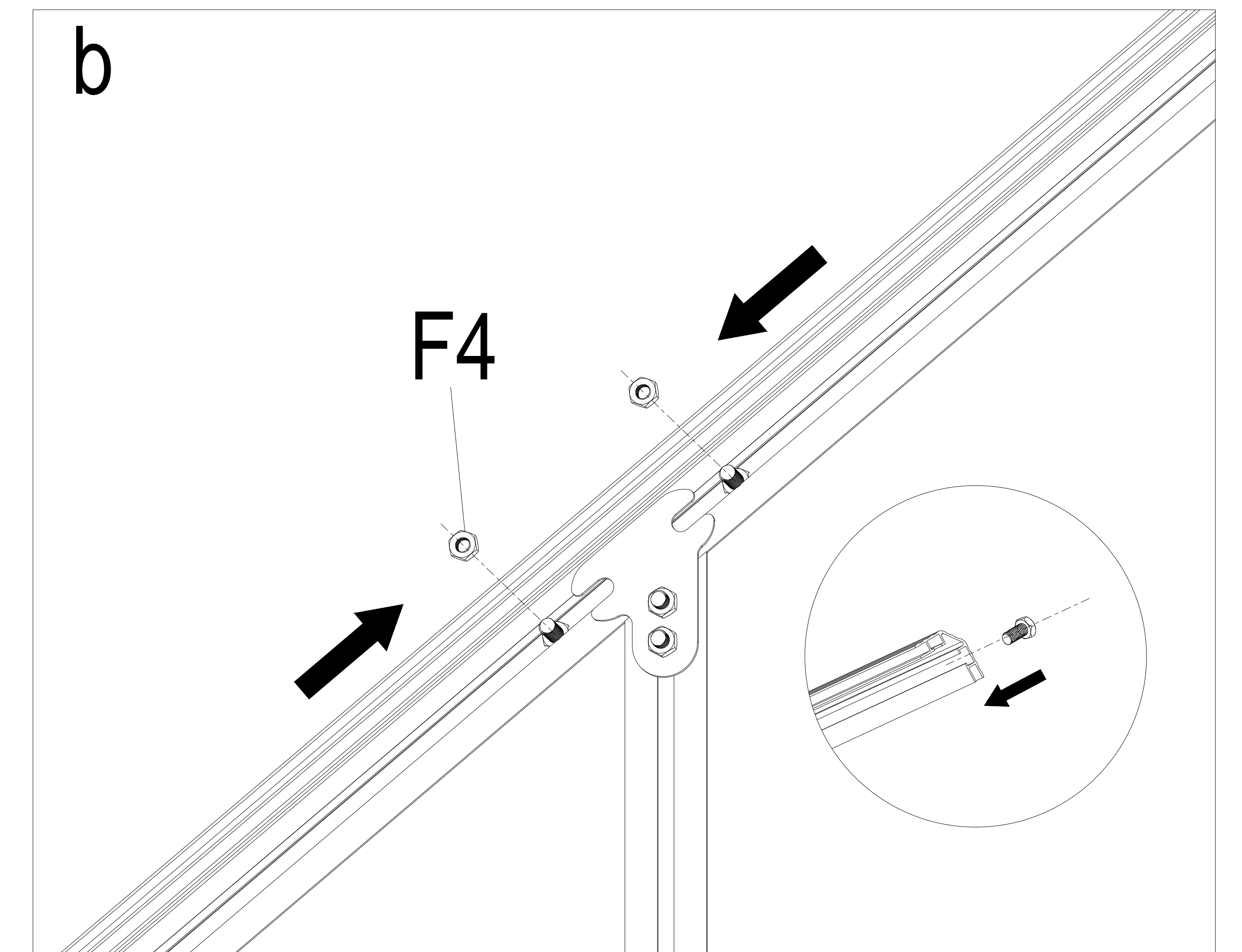
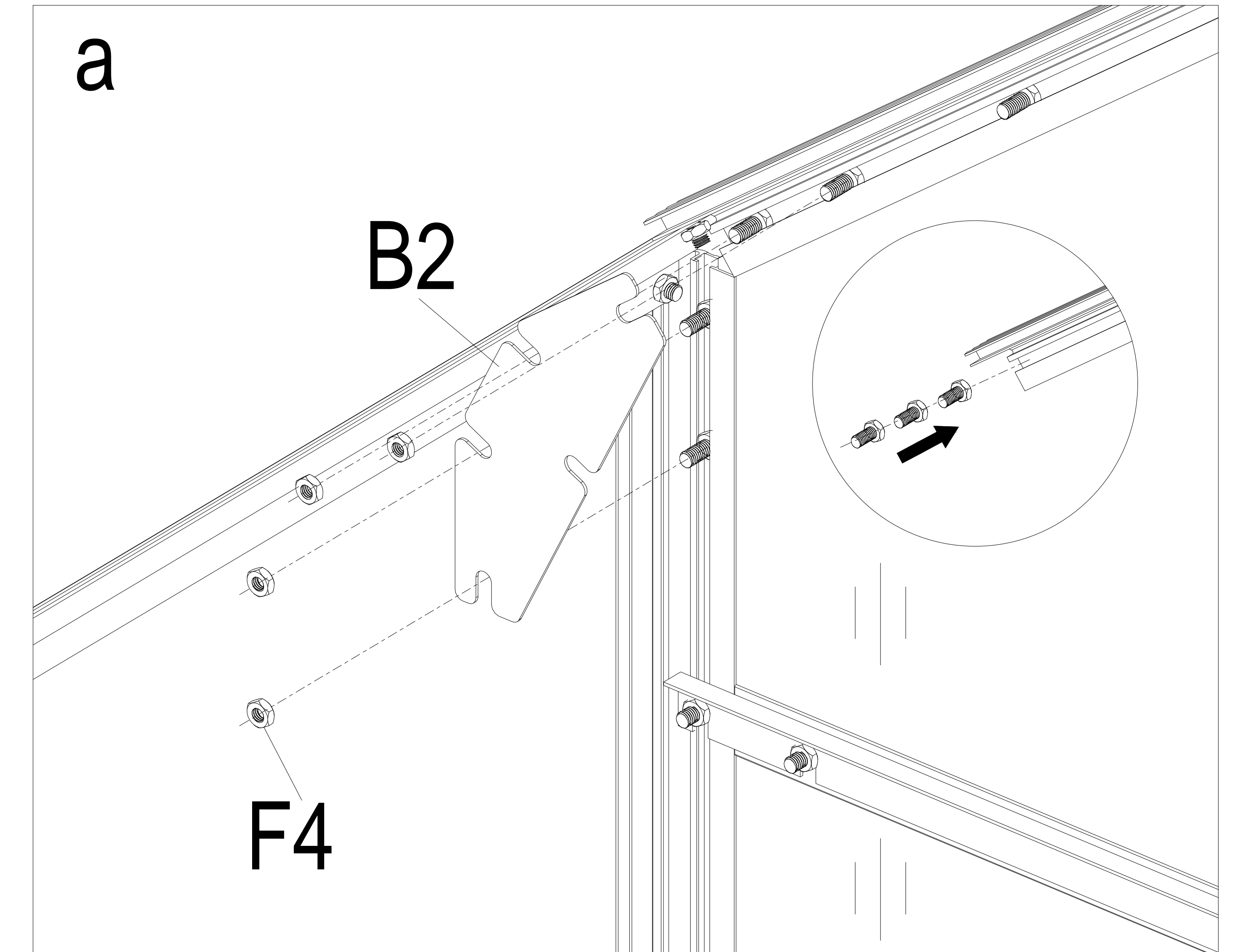
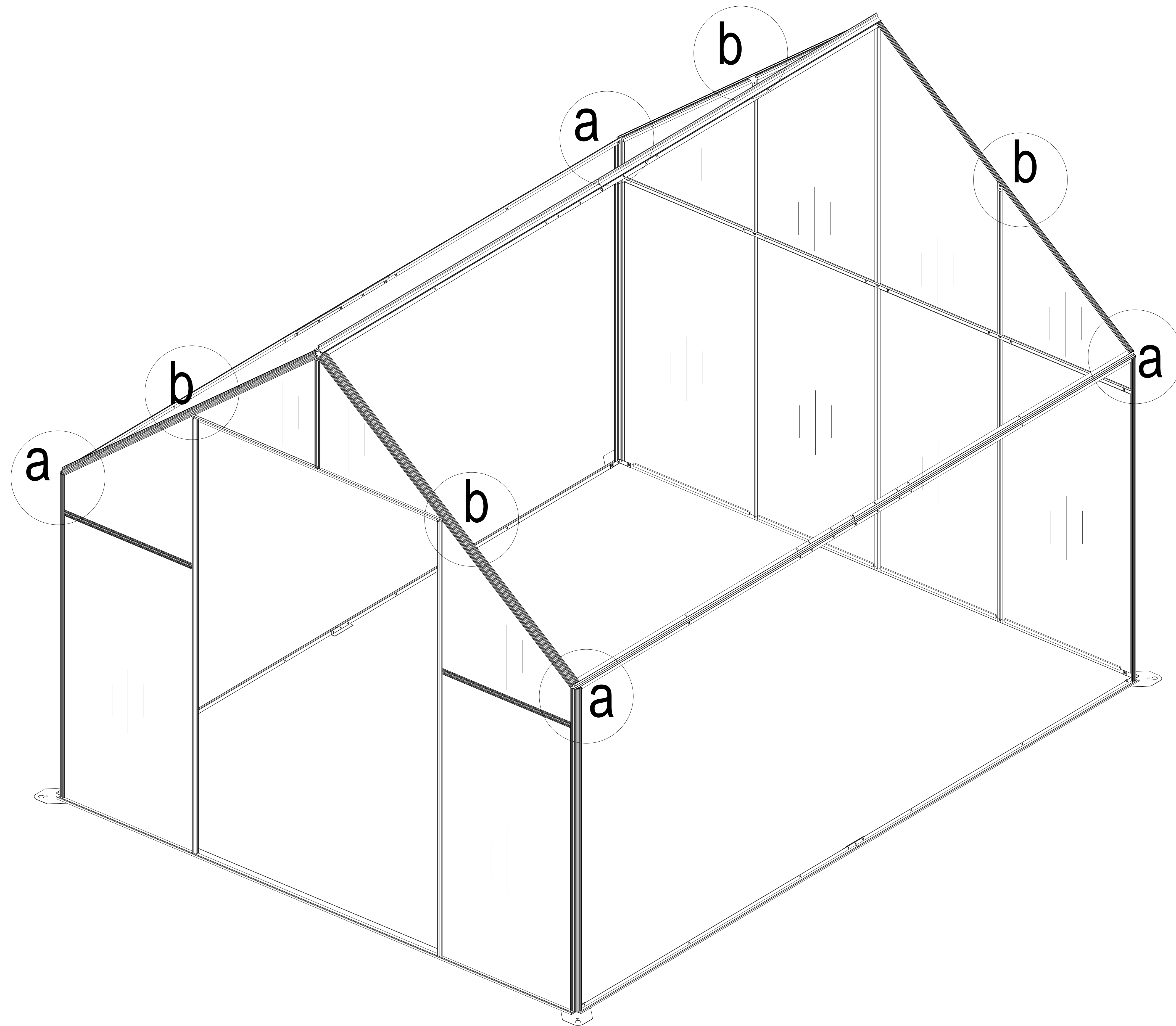
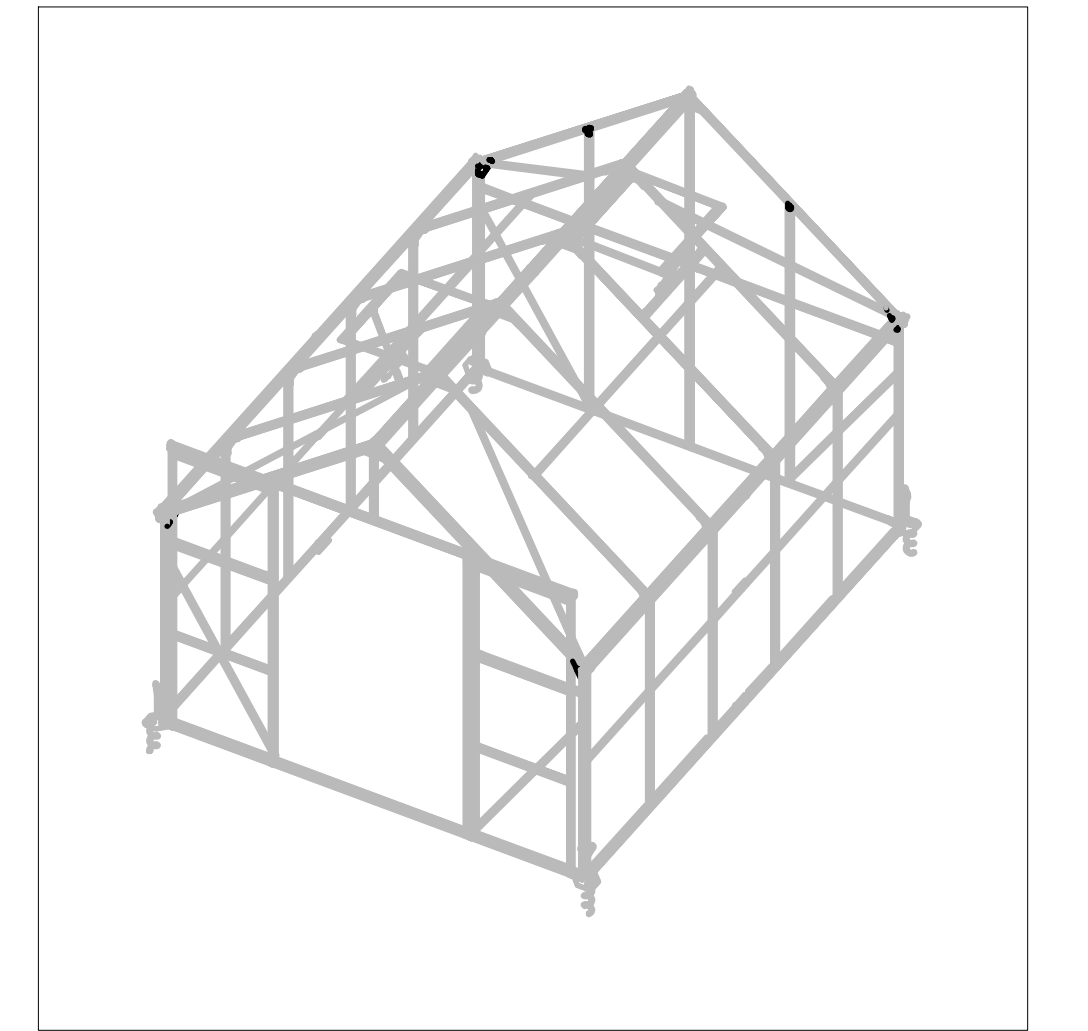




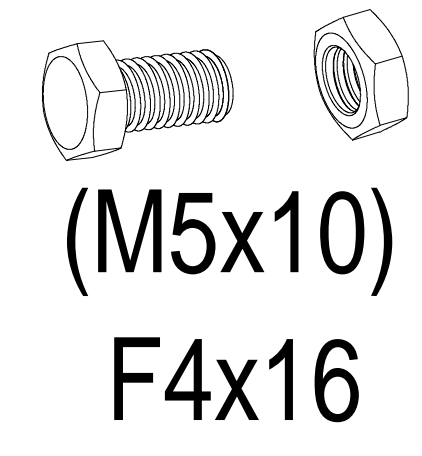
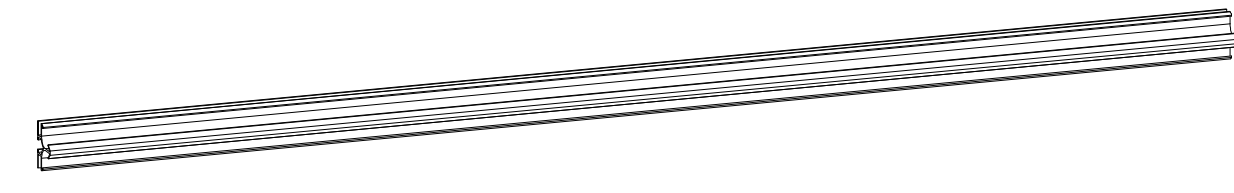
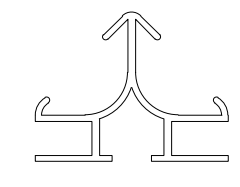
B2x4



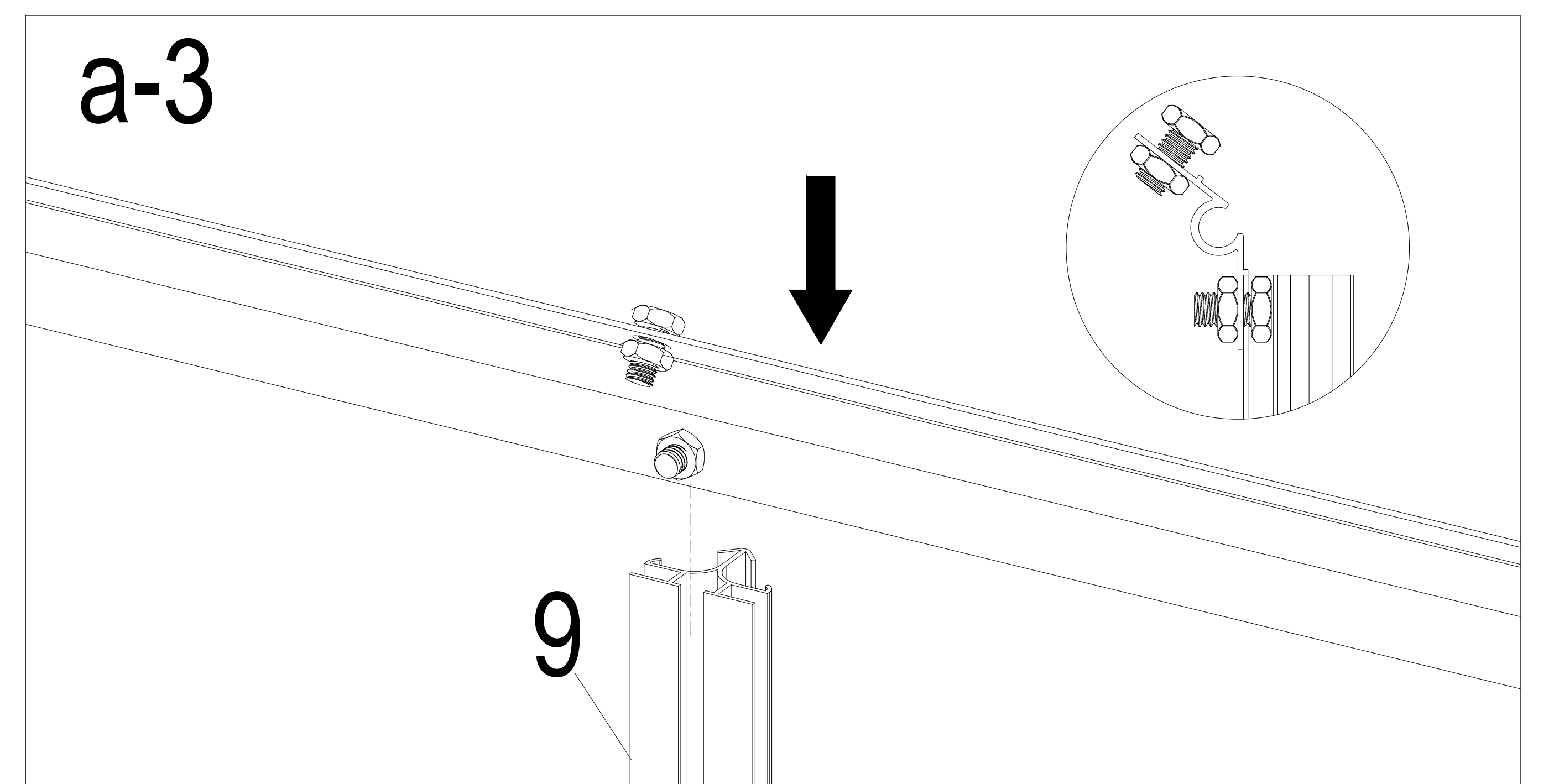
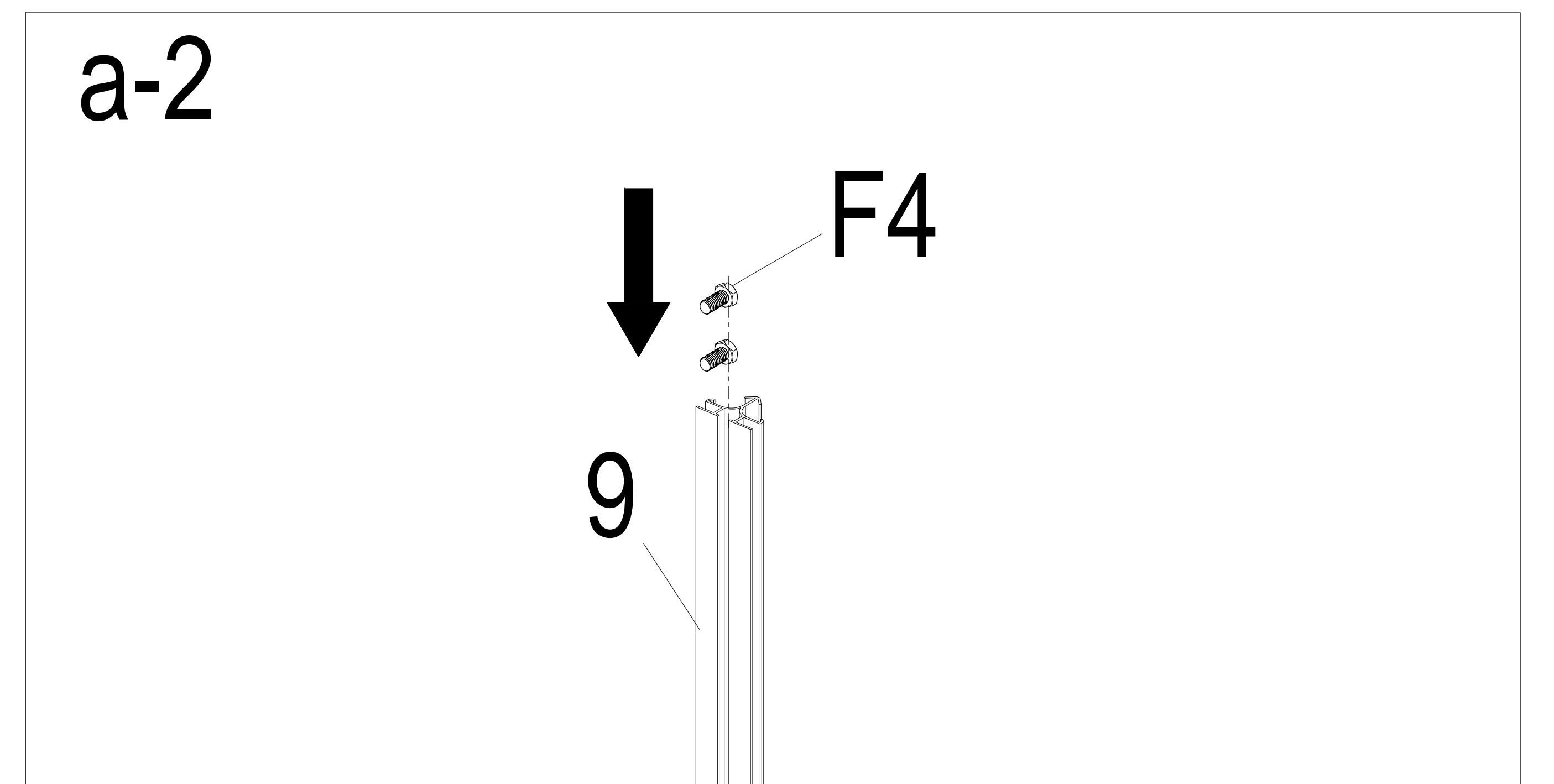
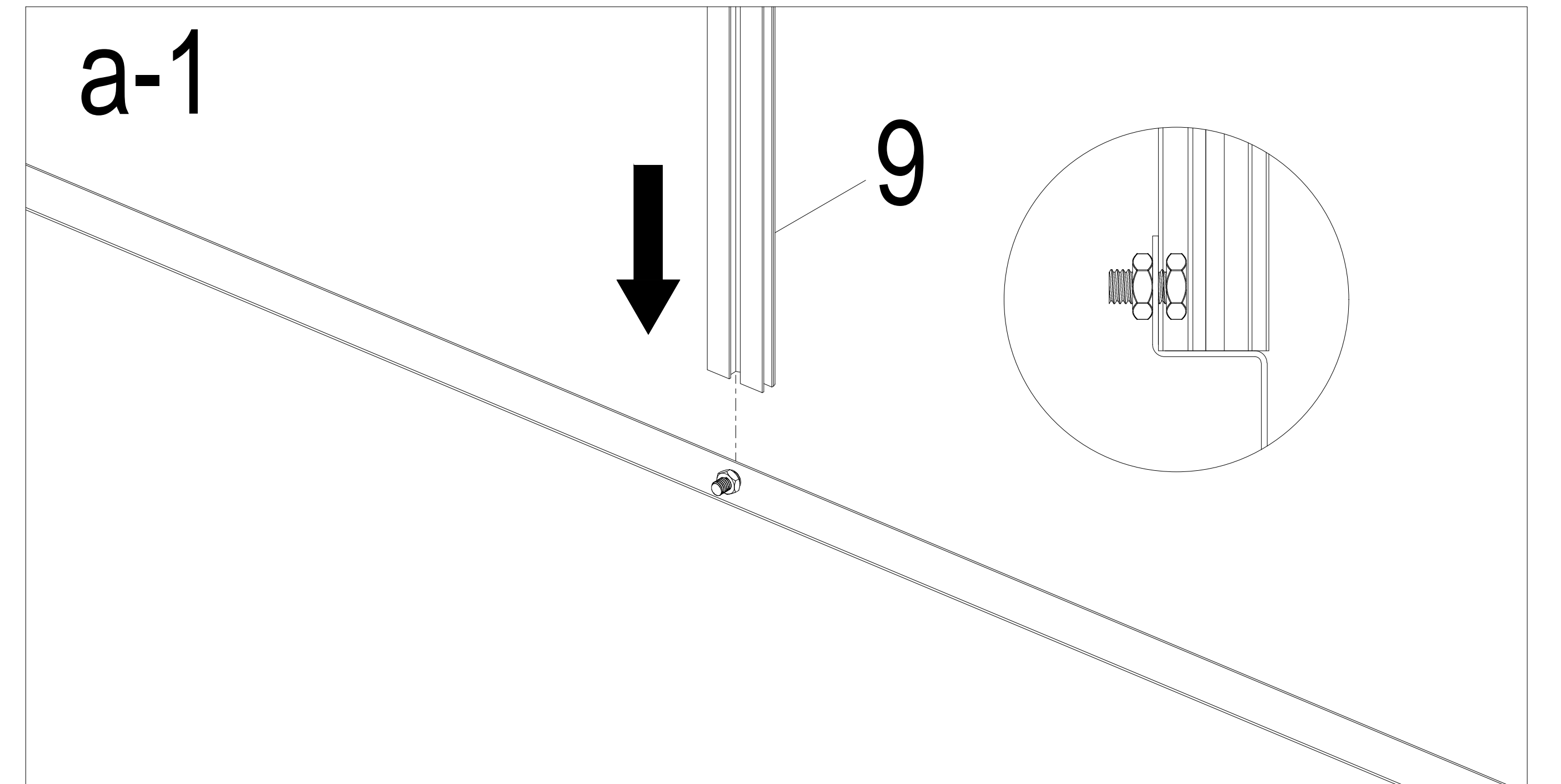
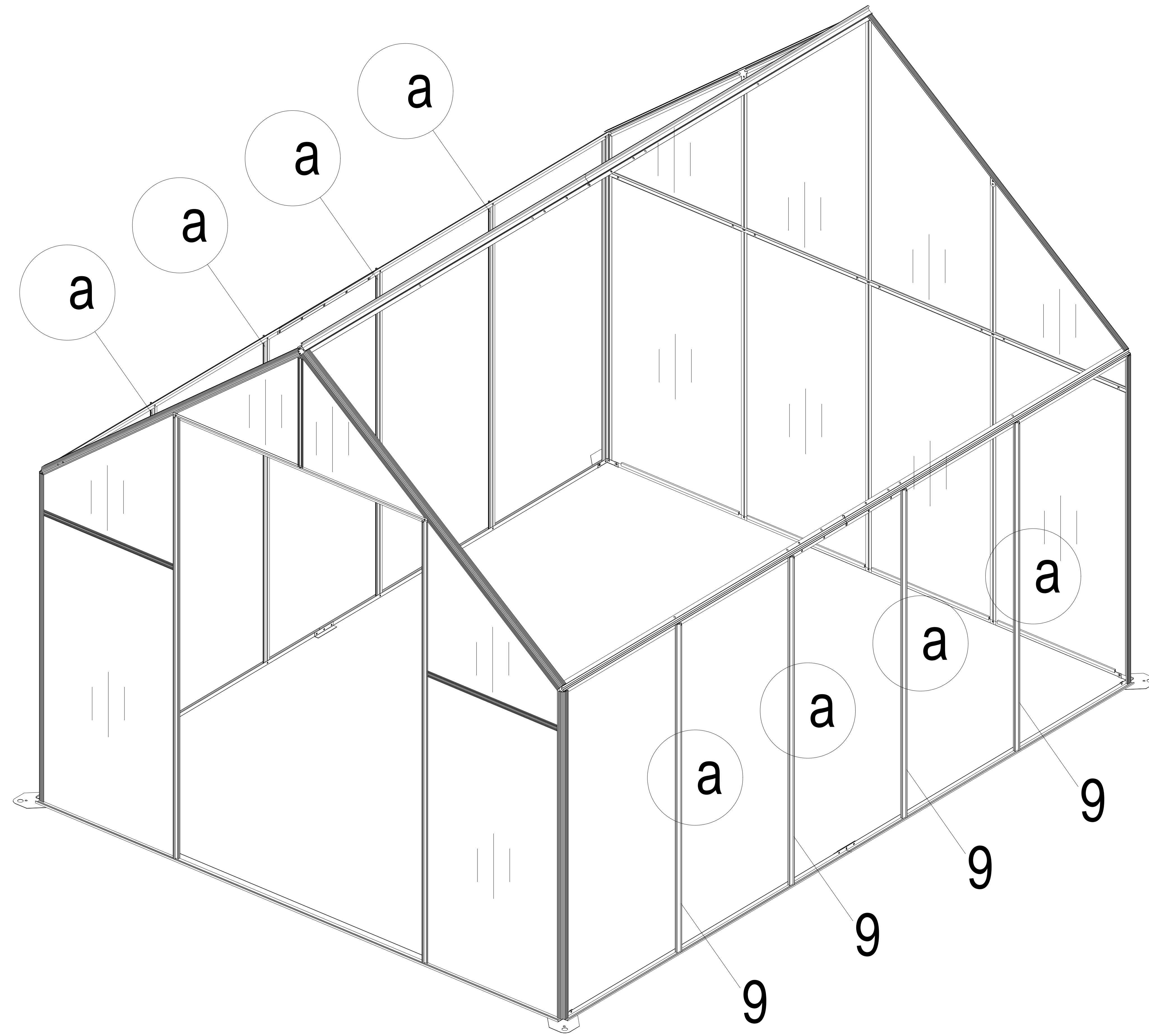
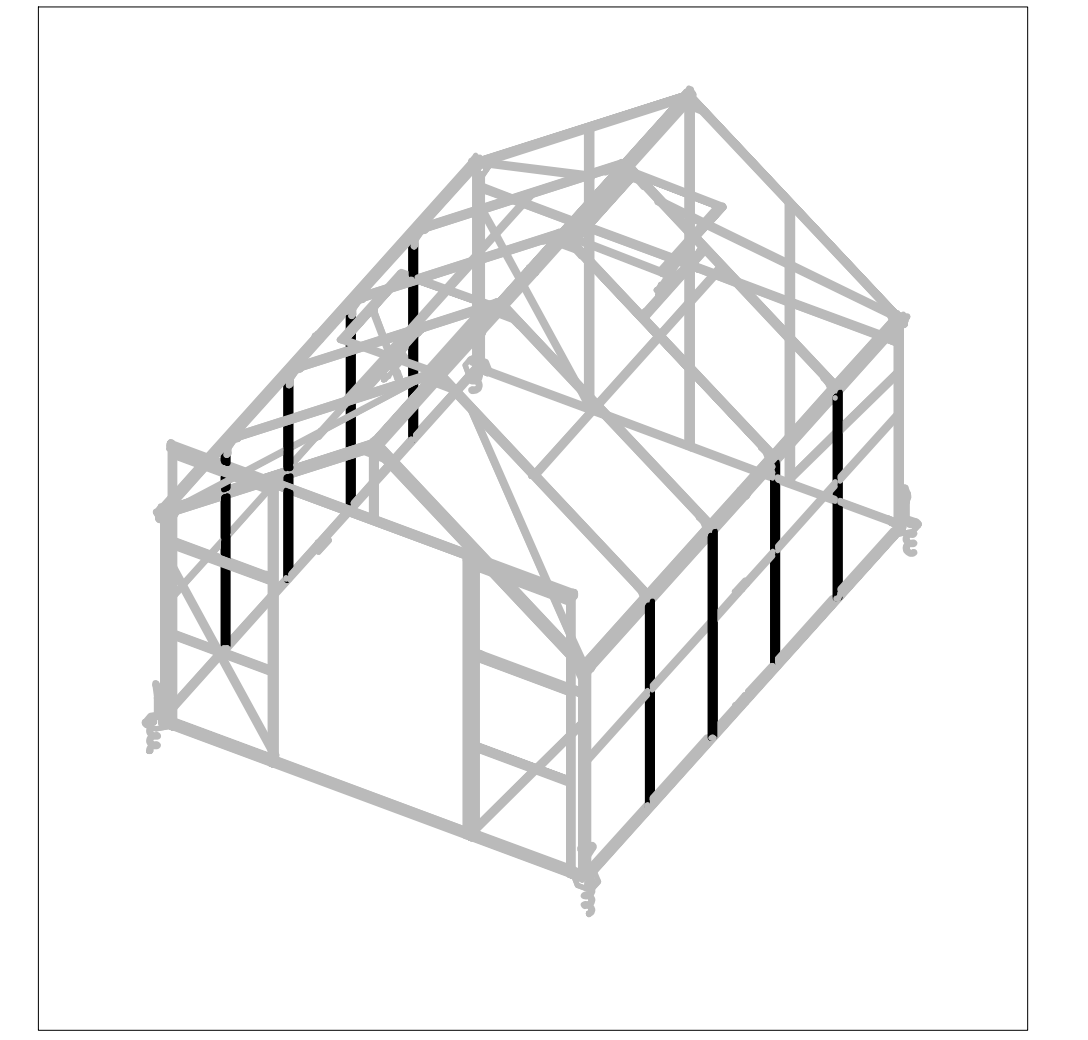
(M5x10)
F4x16



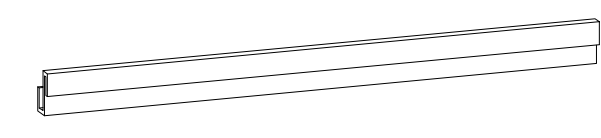
9x6



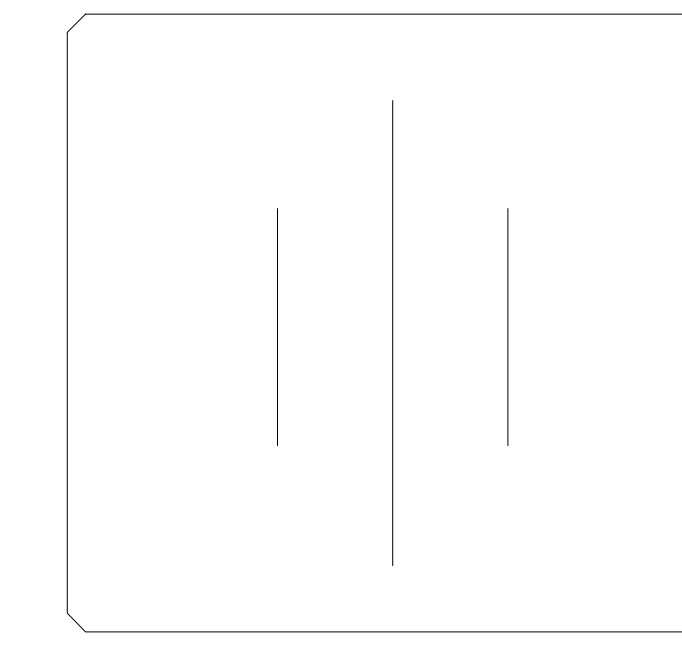
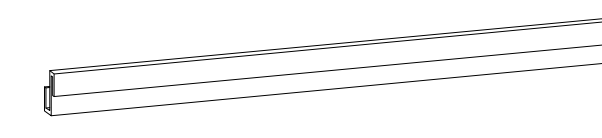
(M5x10)
F4x16



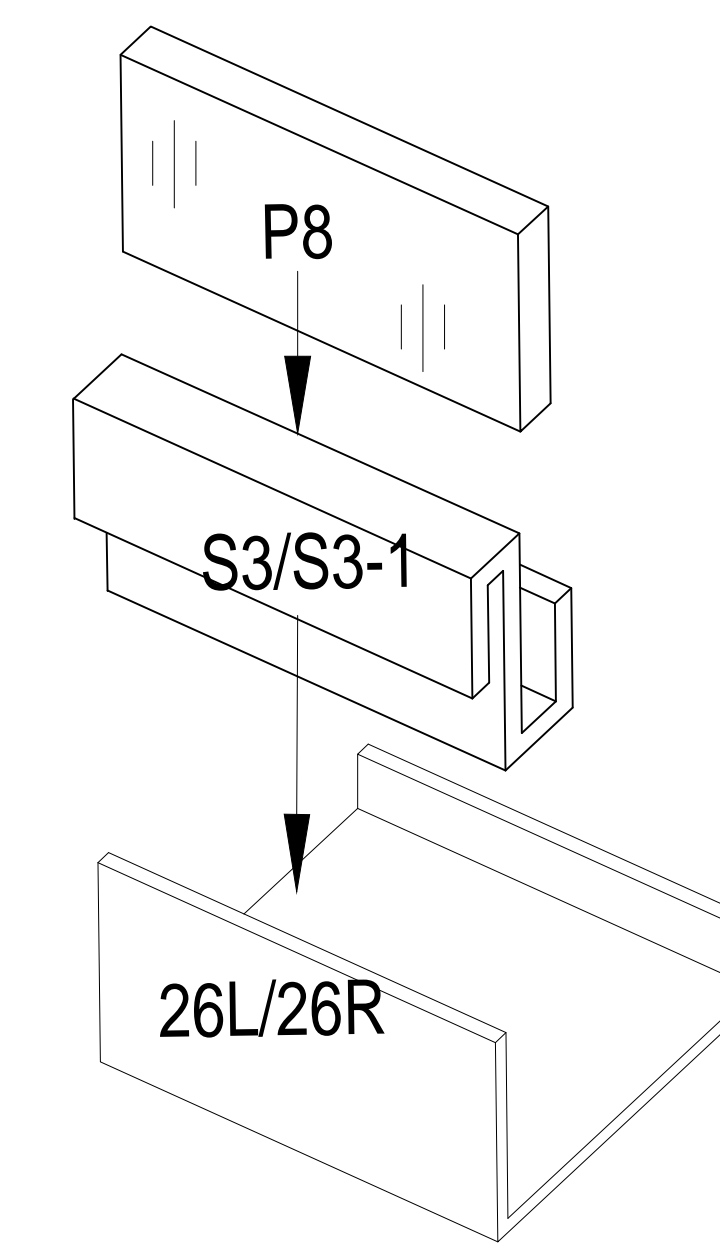
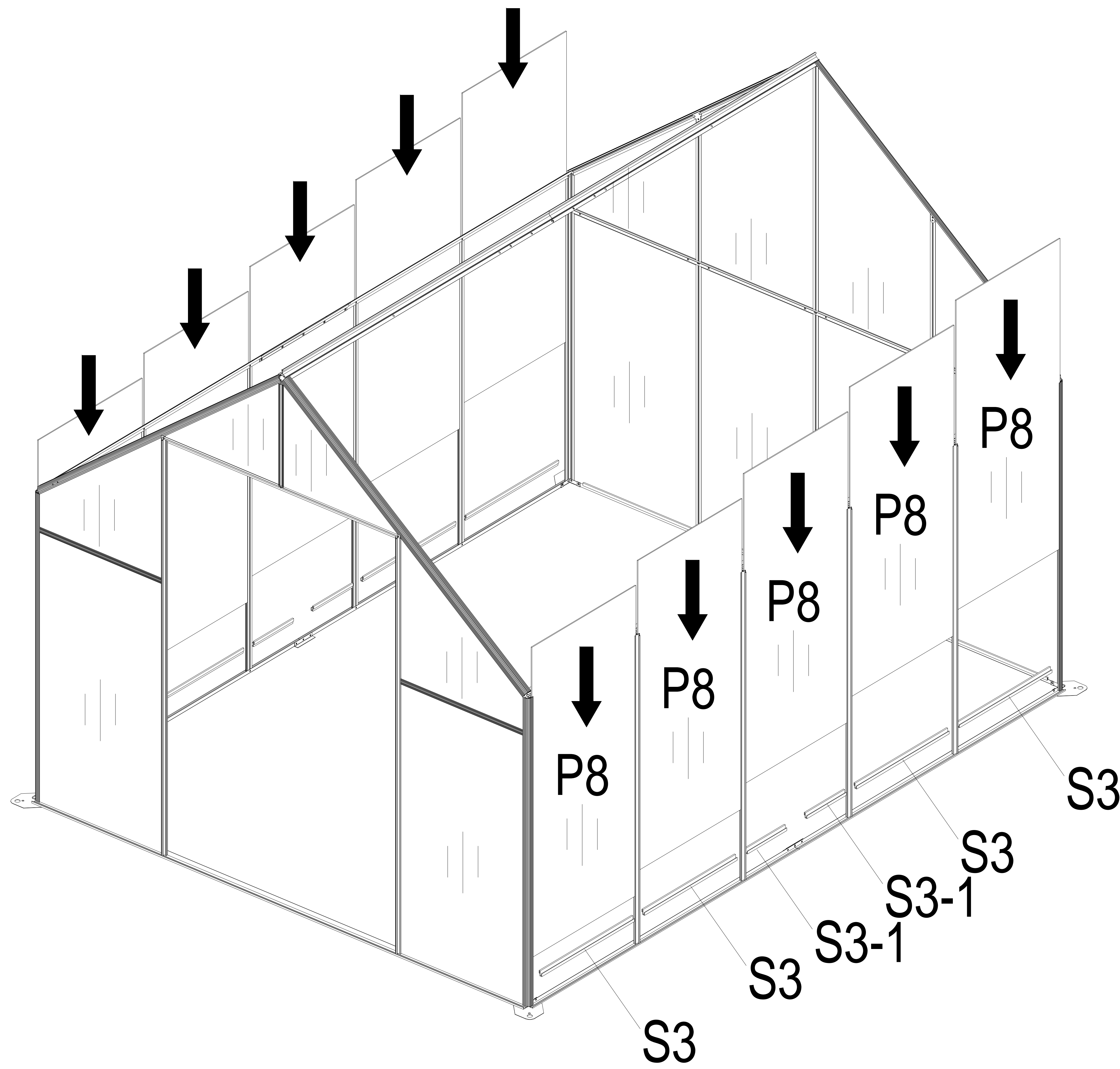
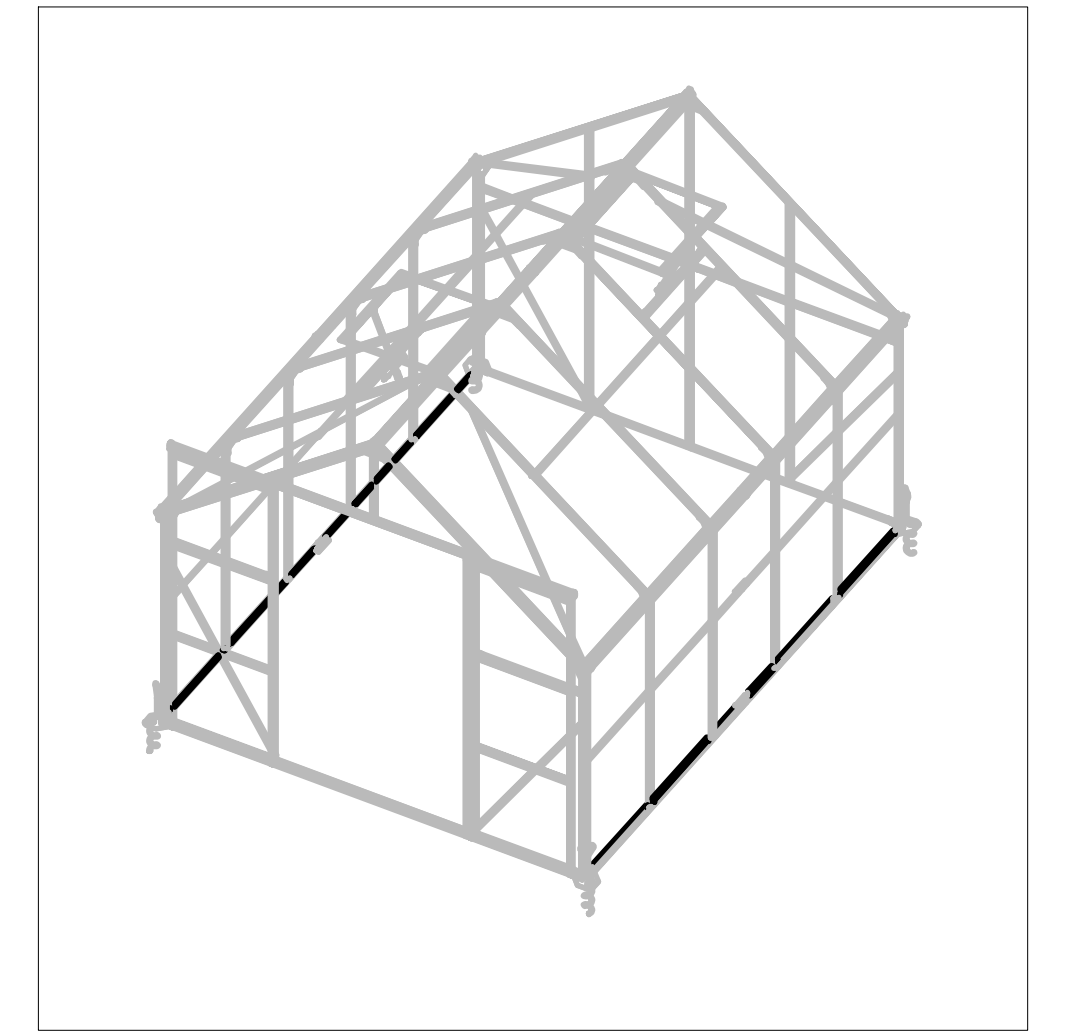
S3x8



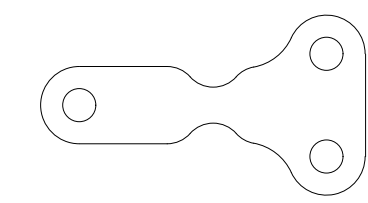
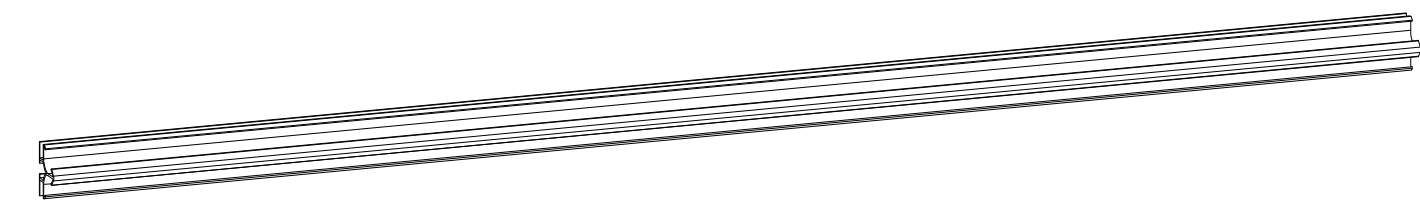
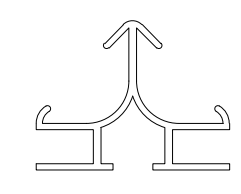
S3-1x4



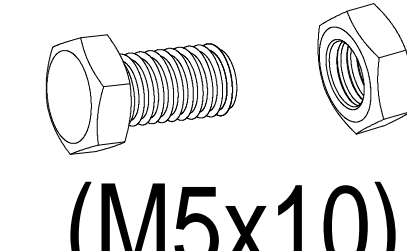
P8x10



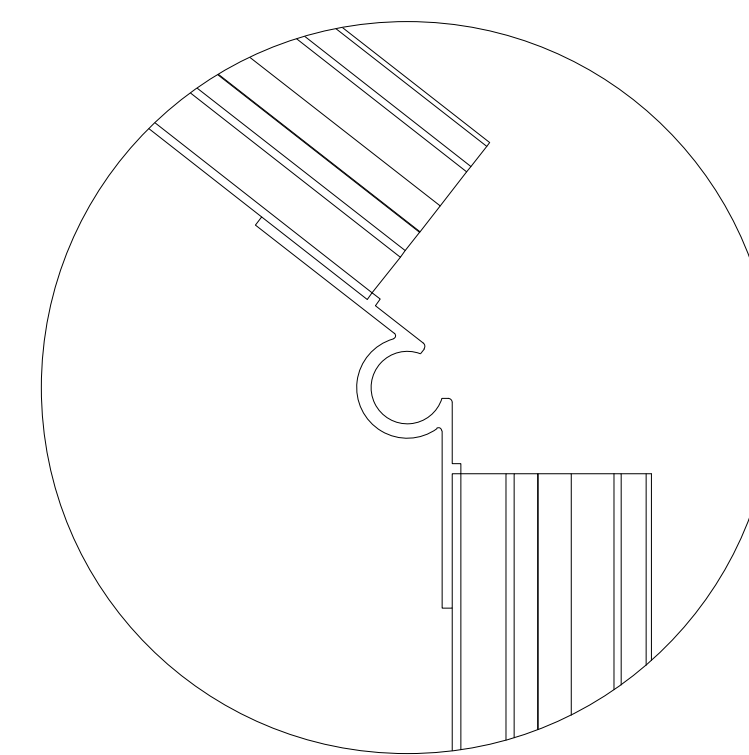
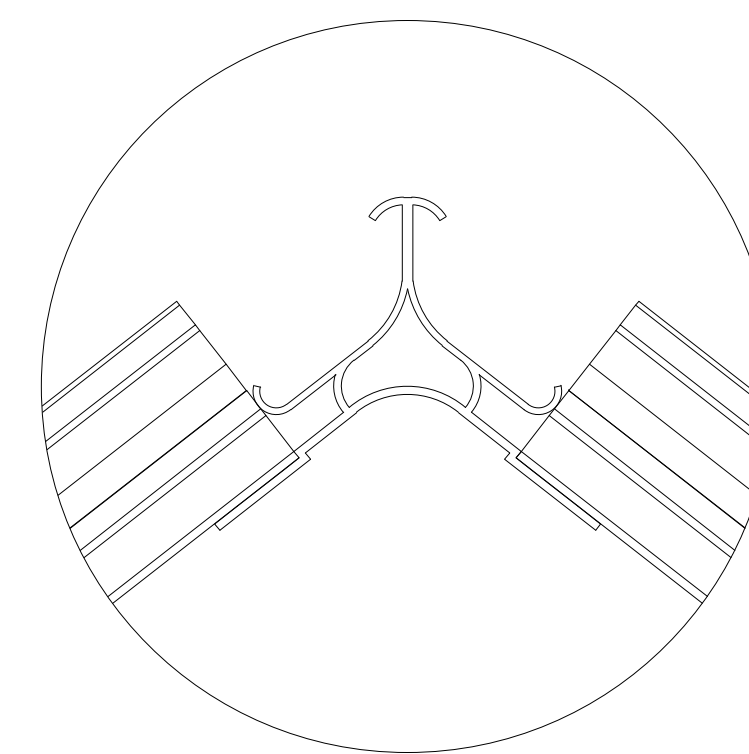
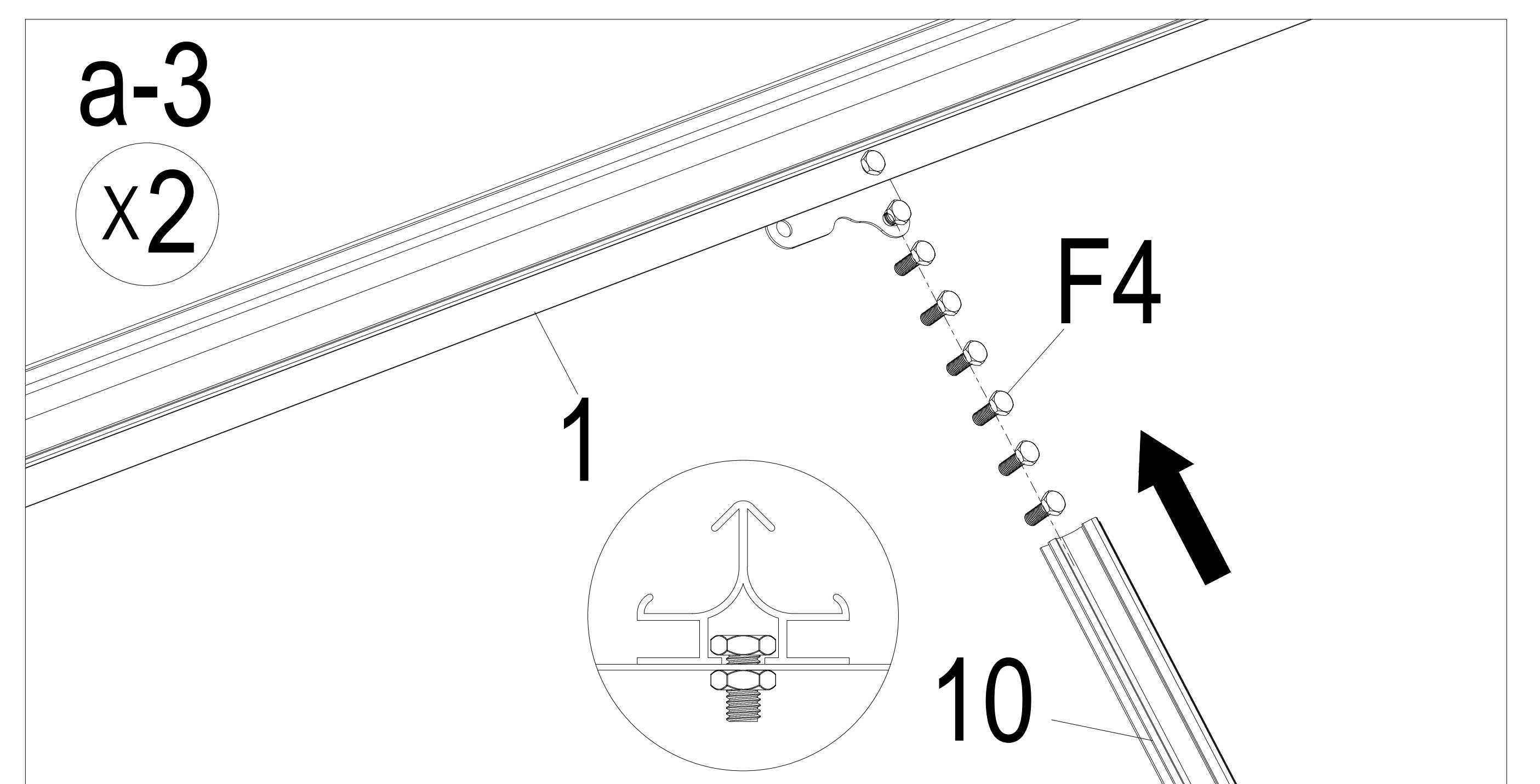
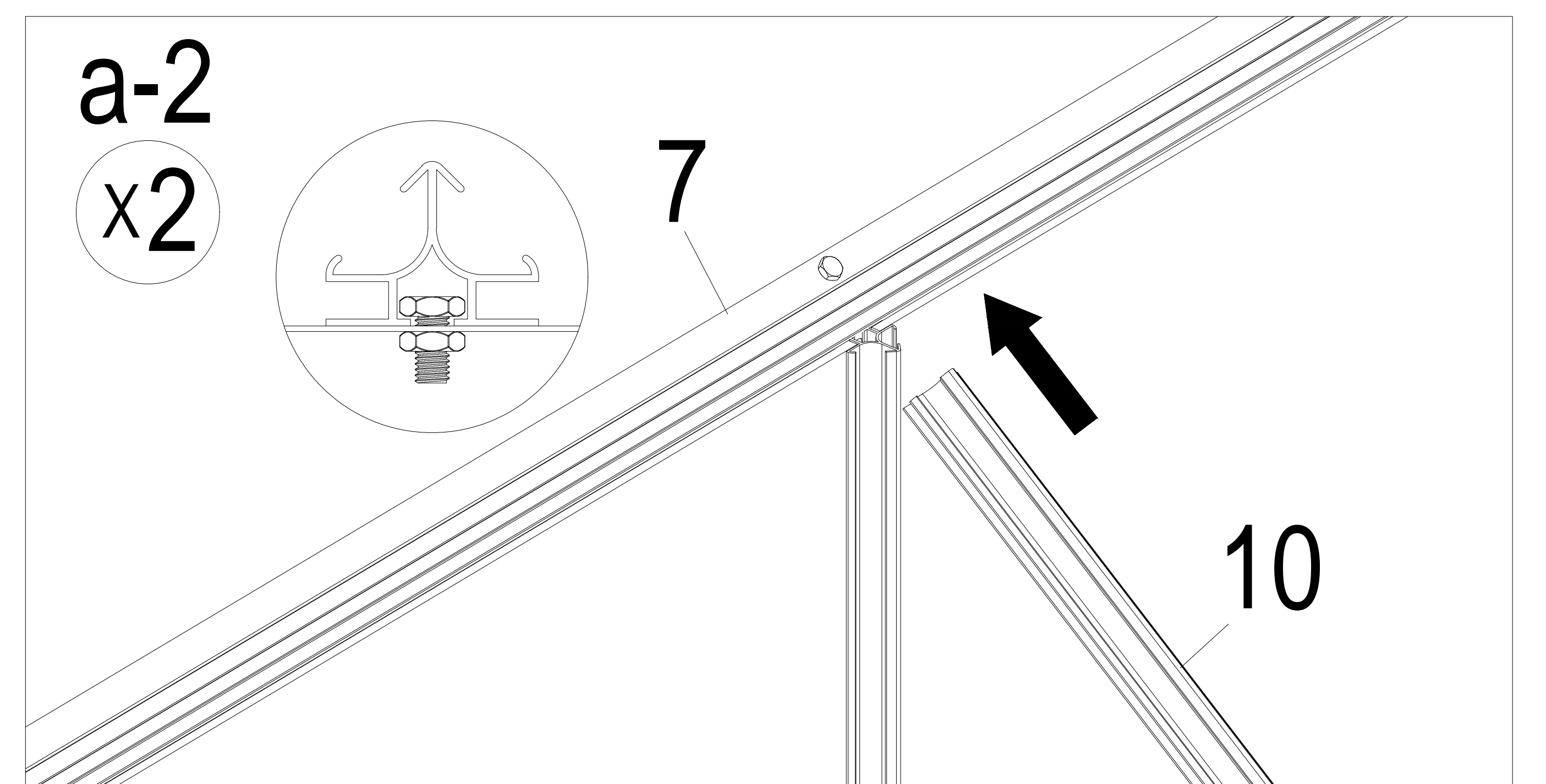
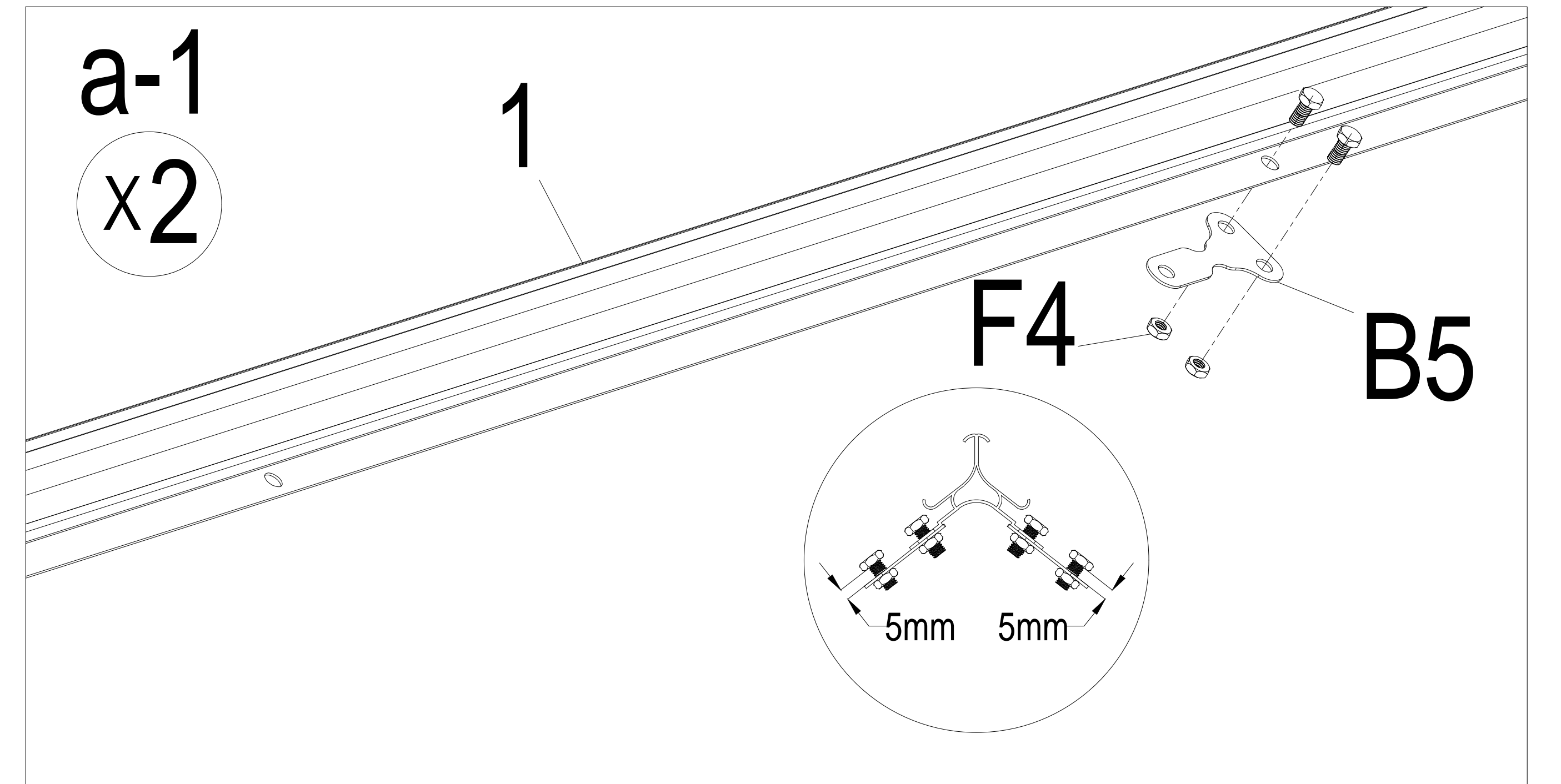
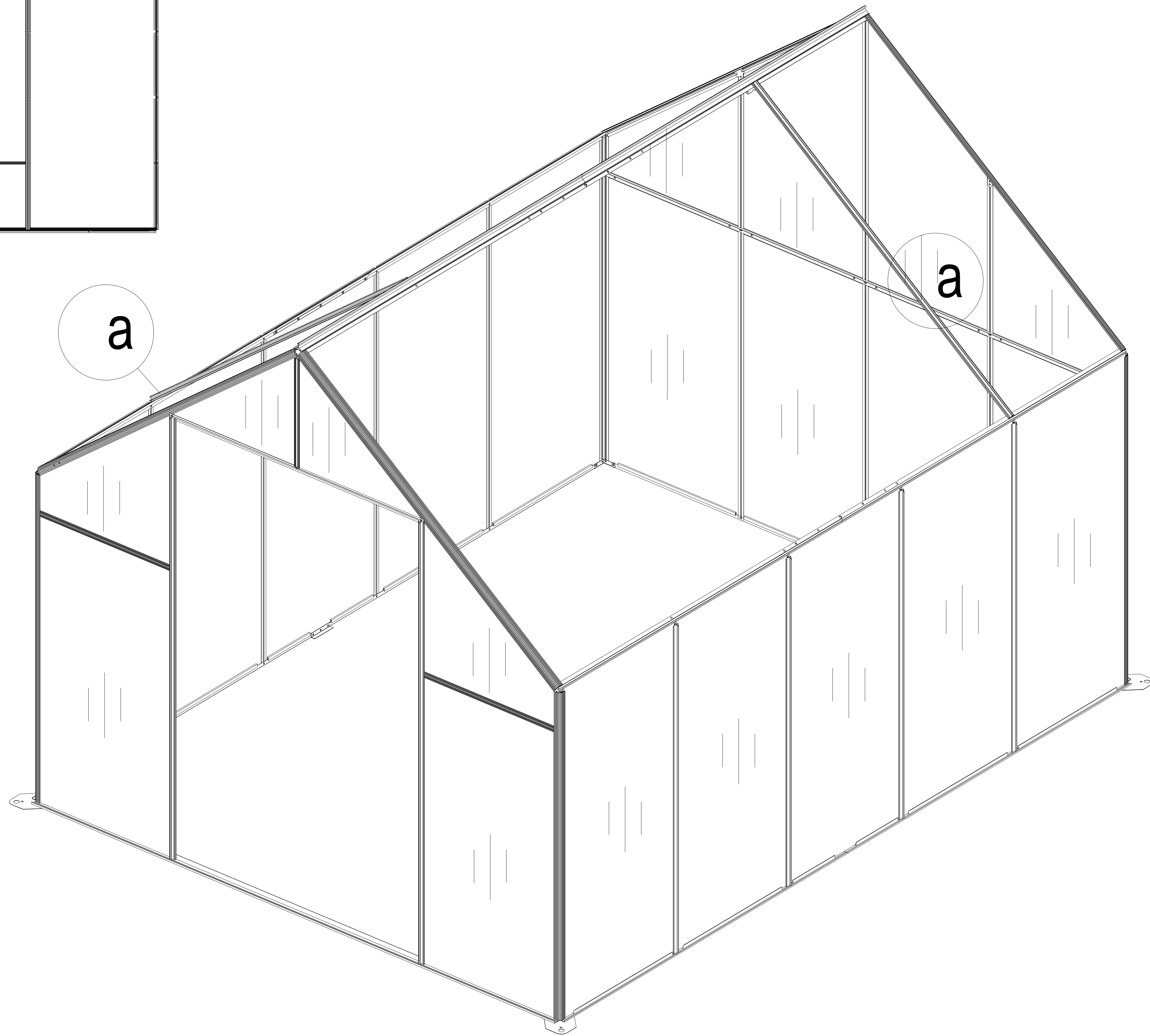
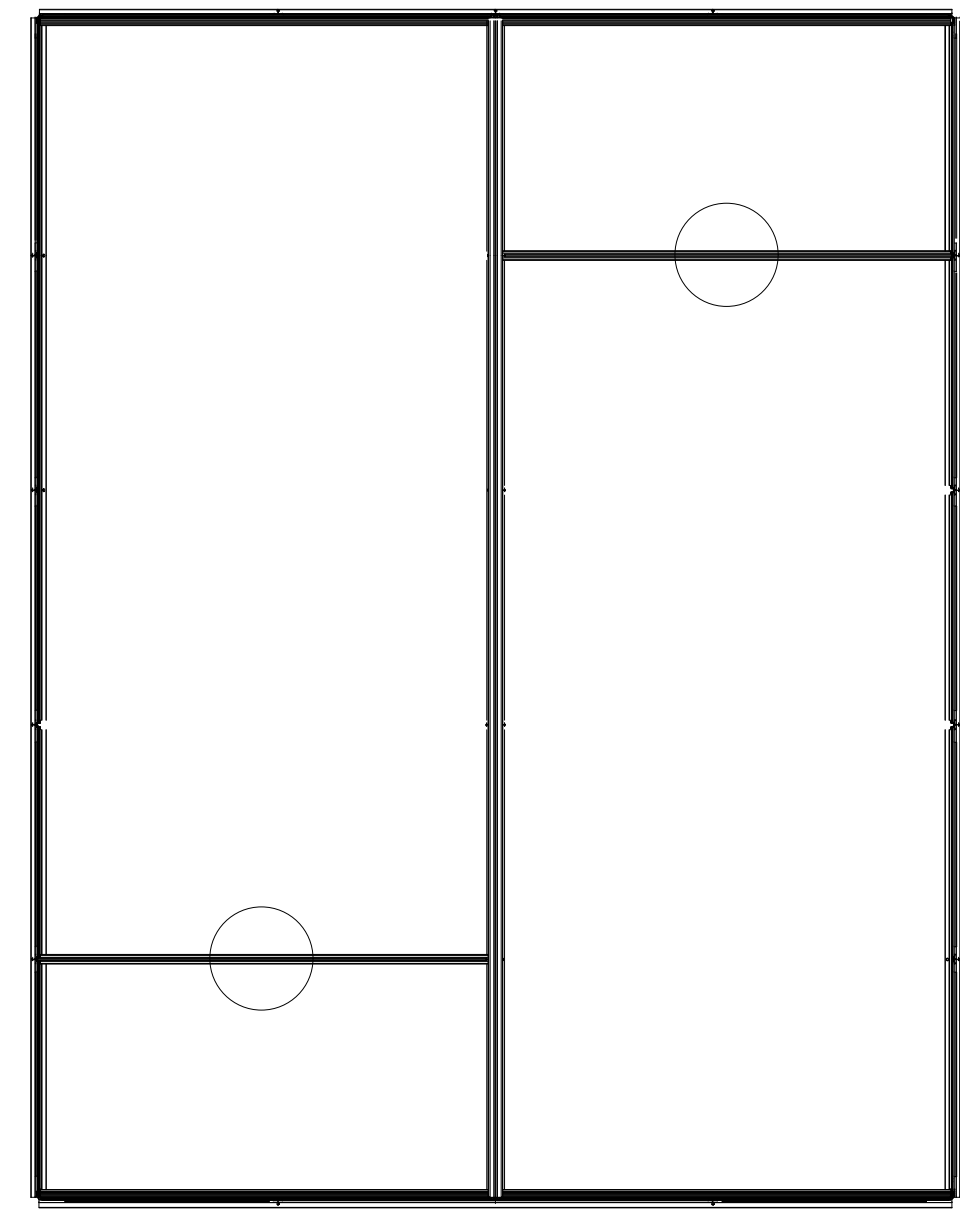
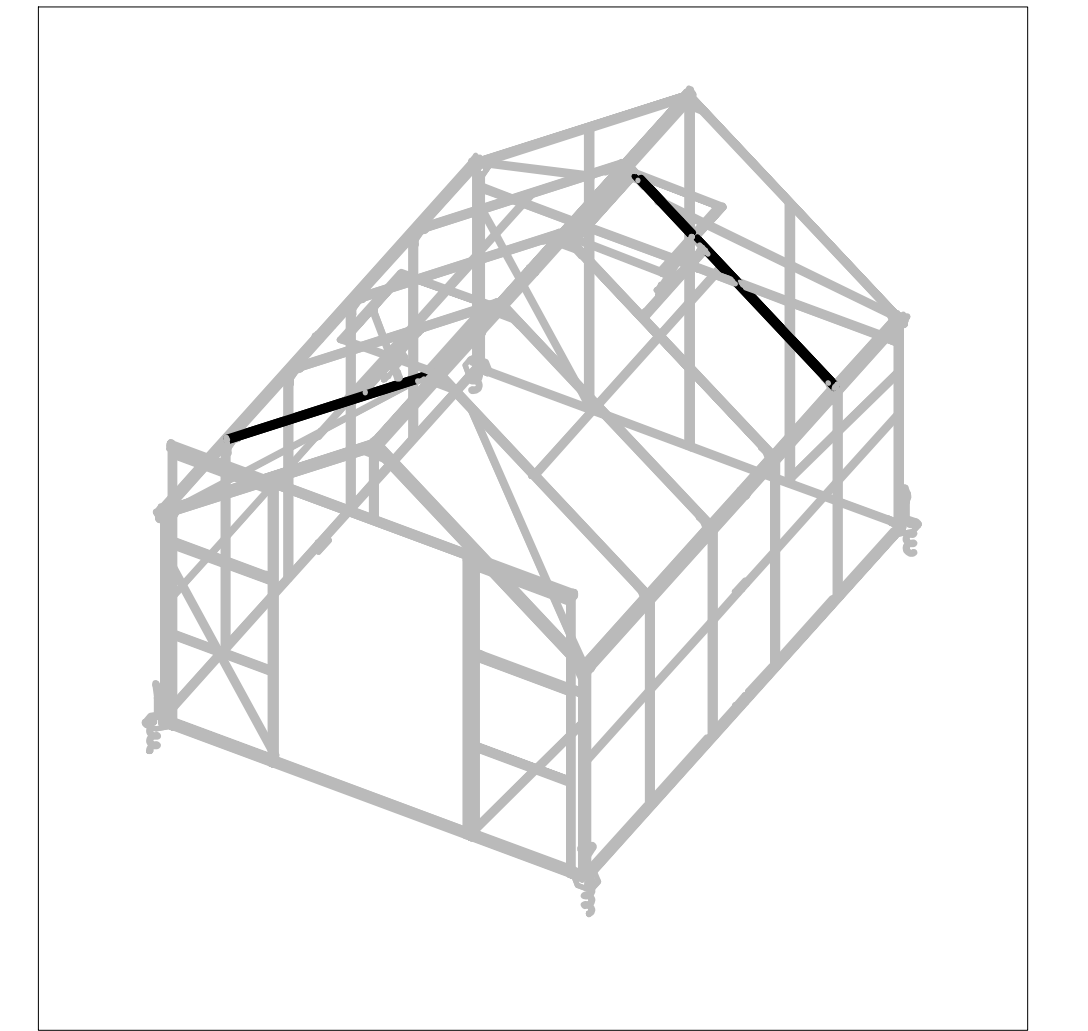
10x2



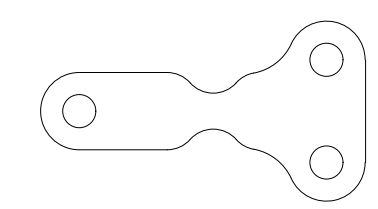
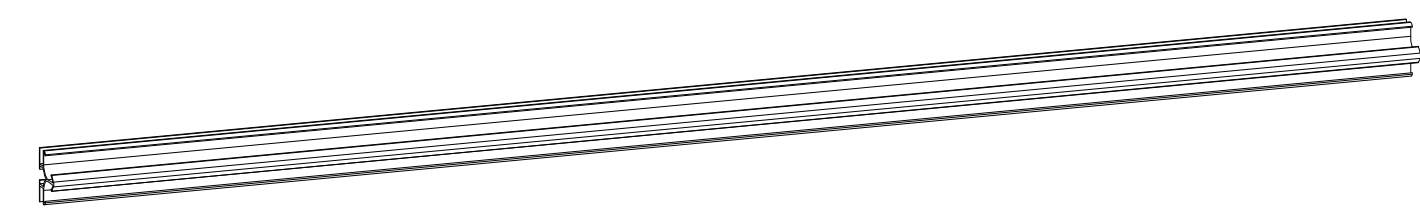
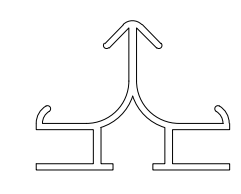
B5x2



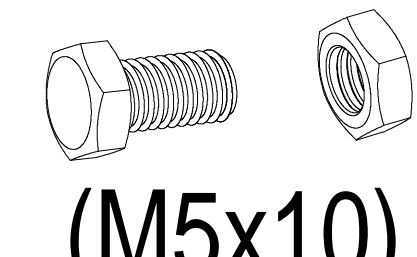
(M5x10)
F4x16



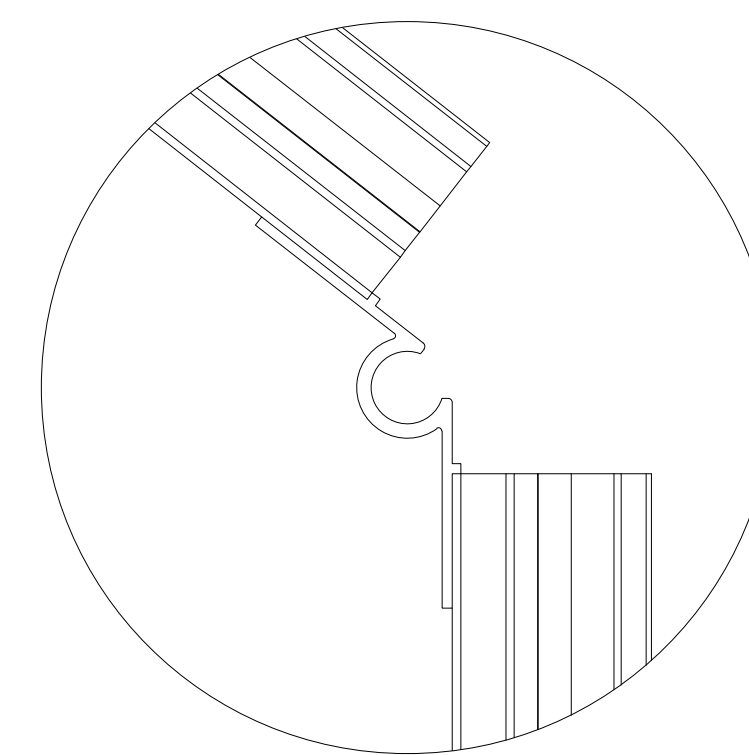
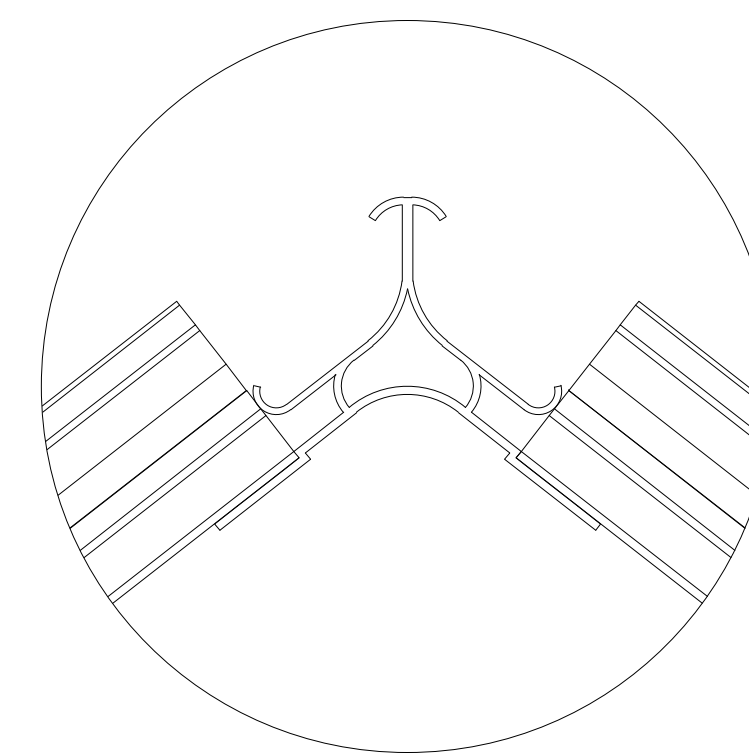
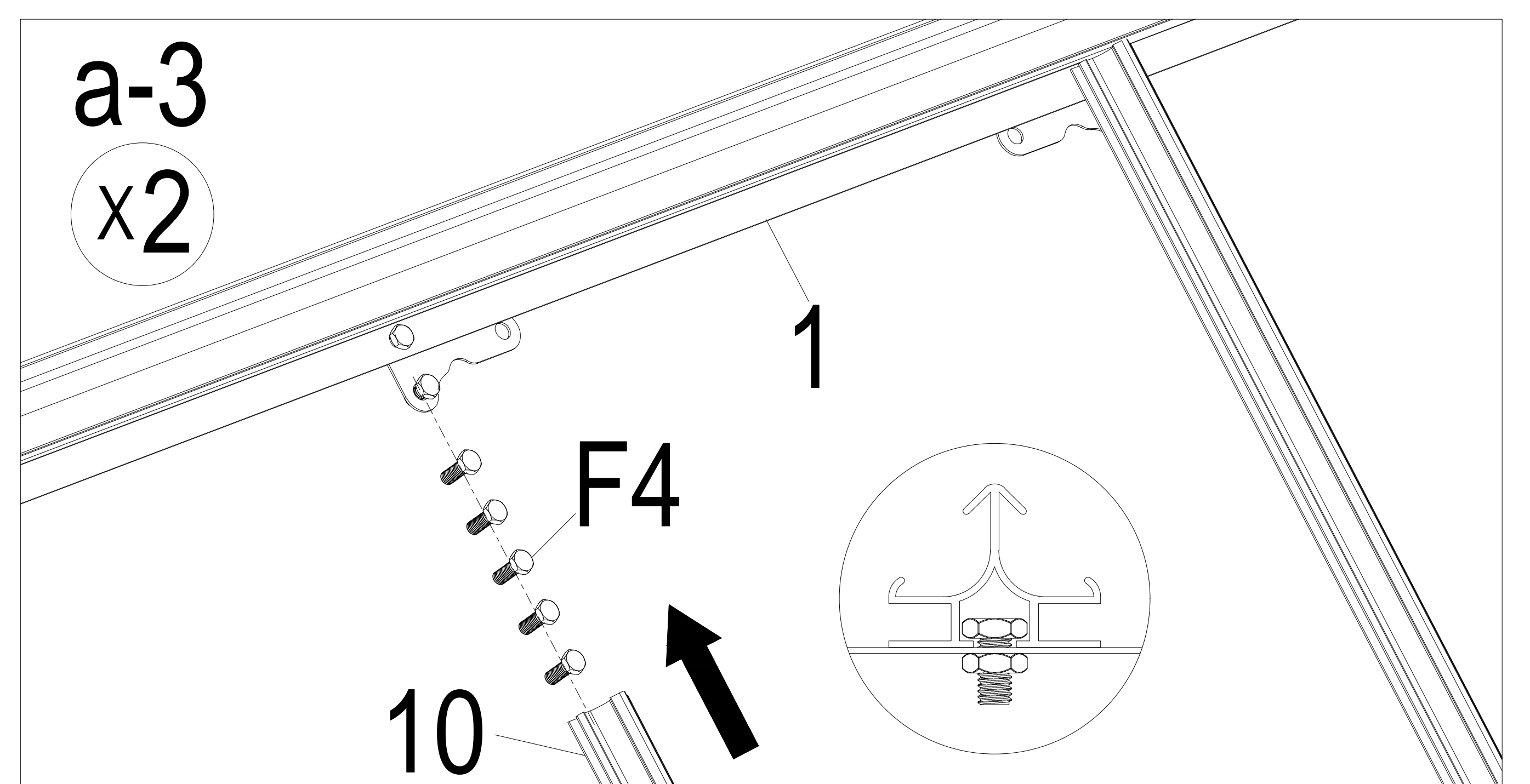
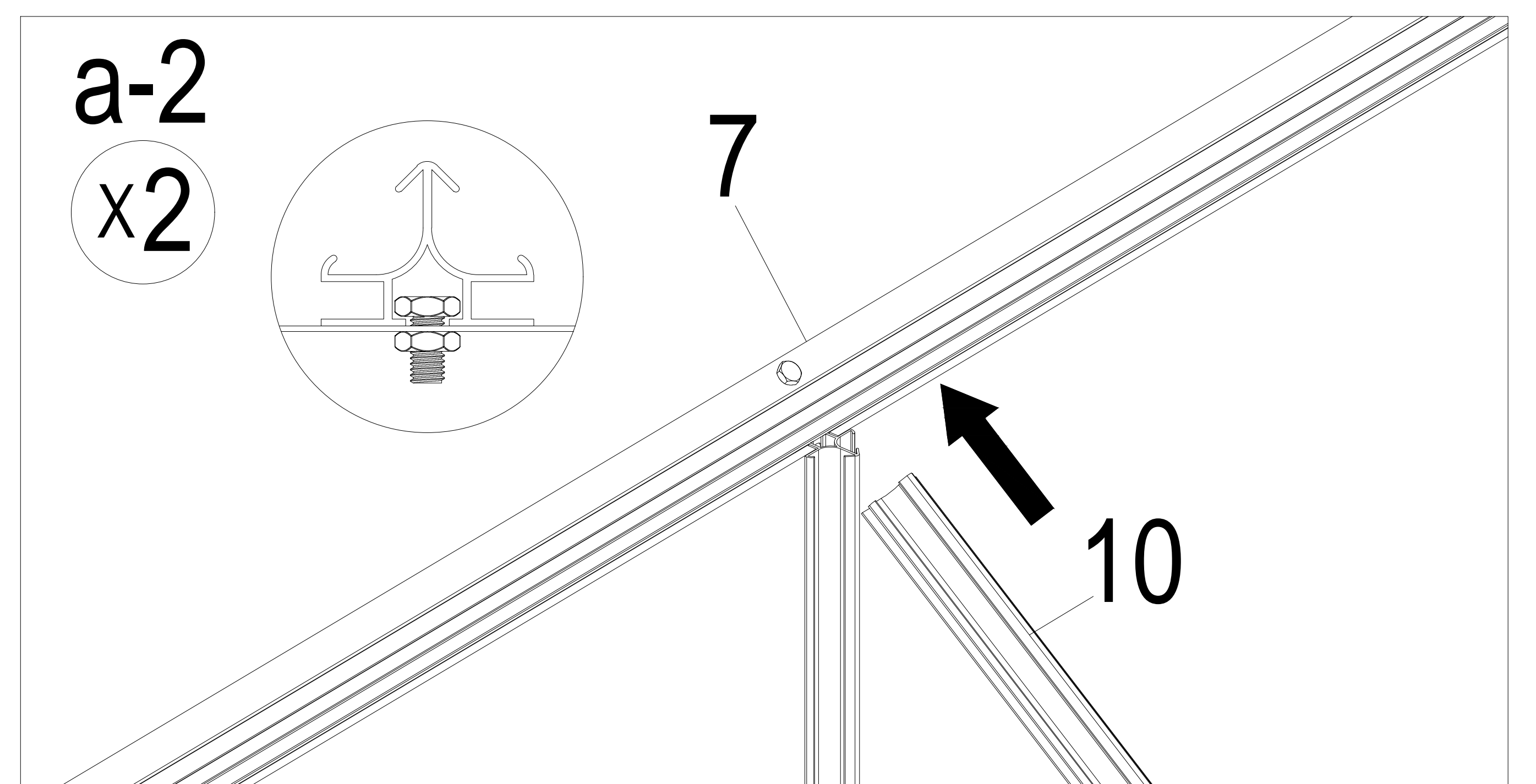
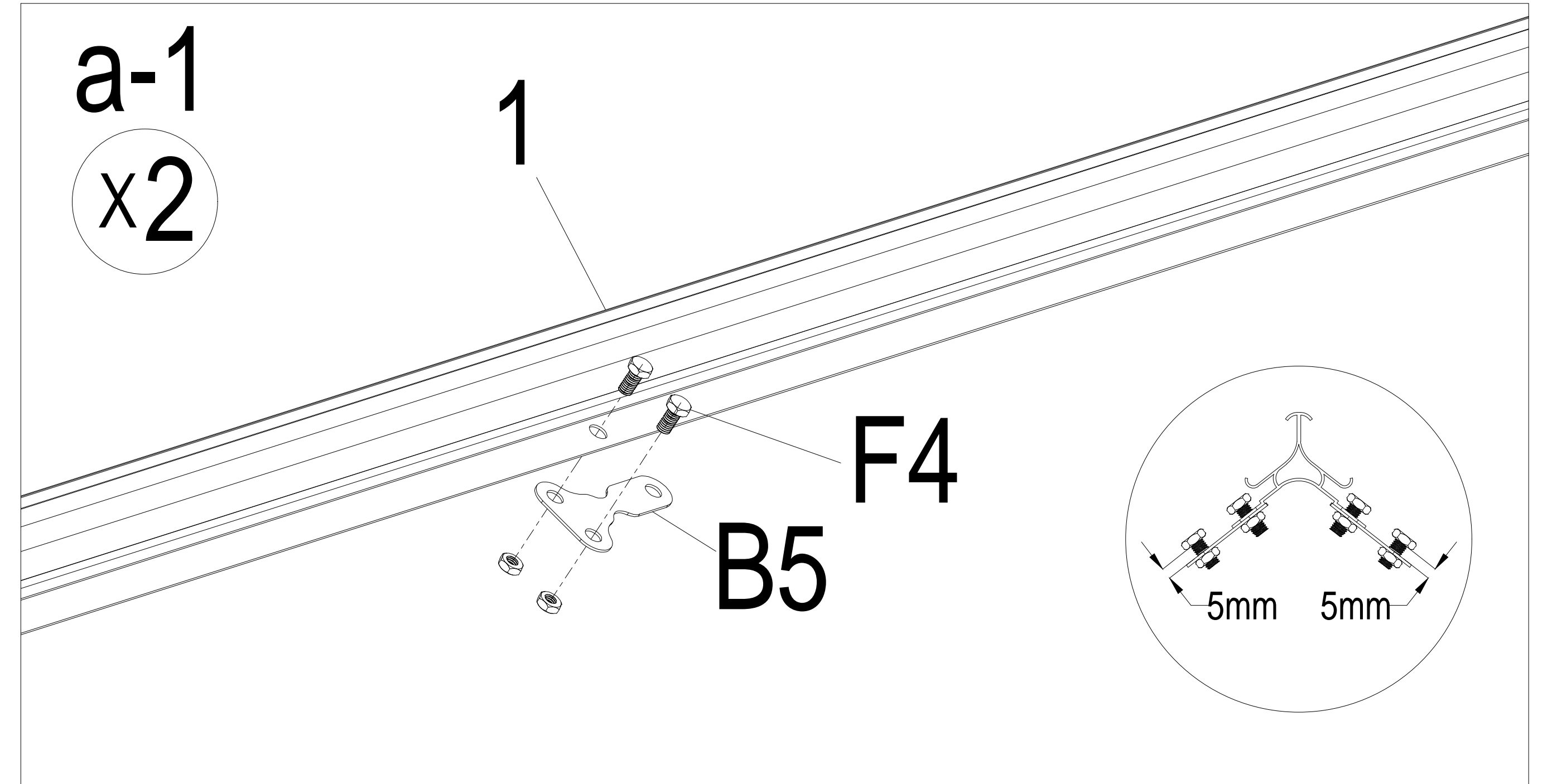
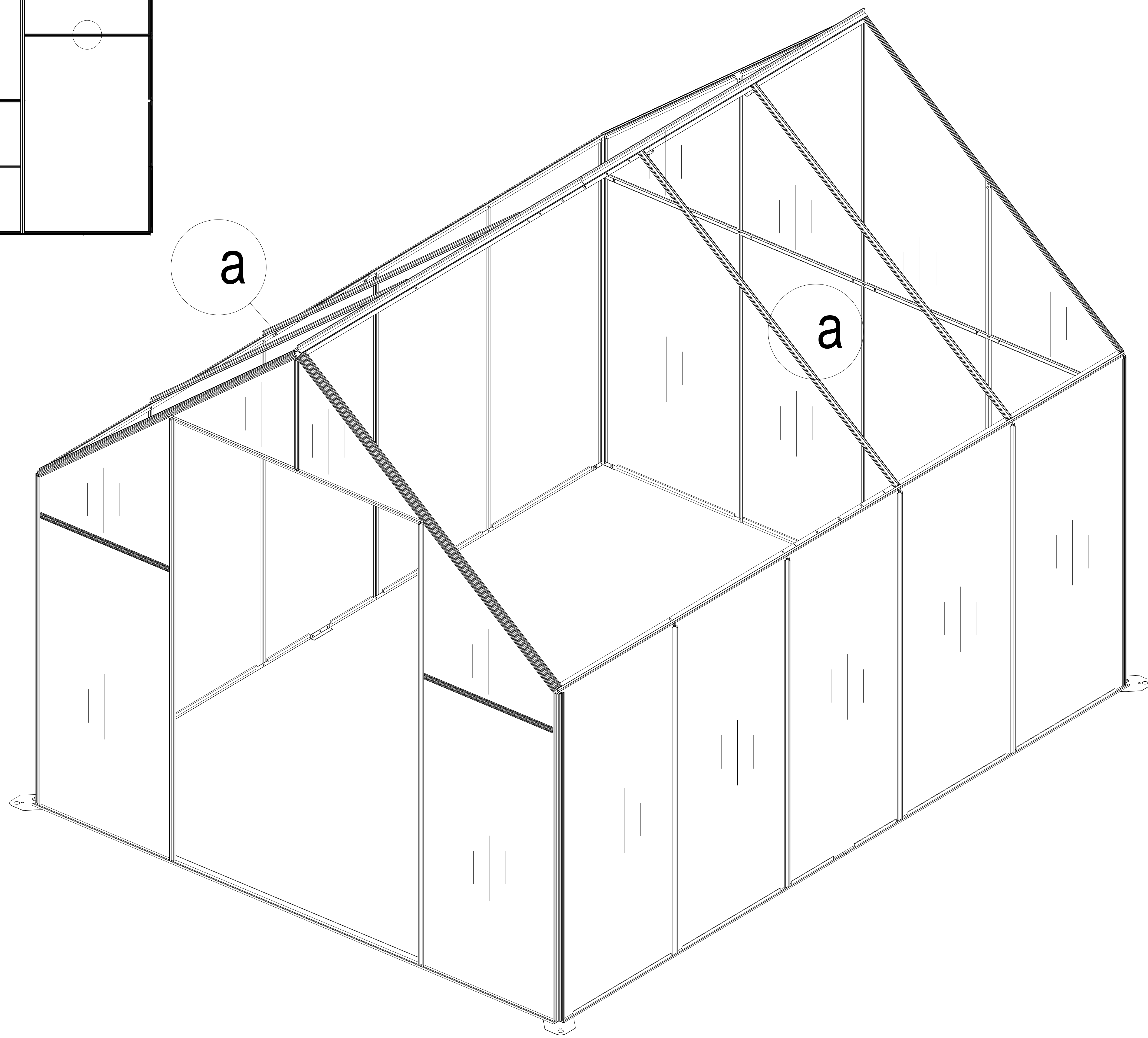
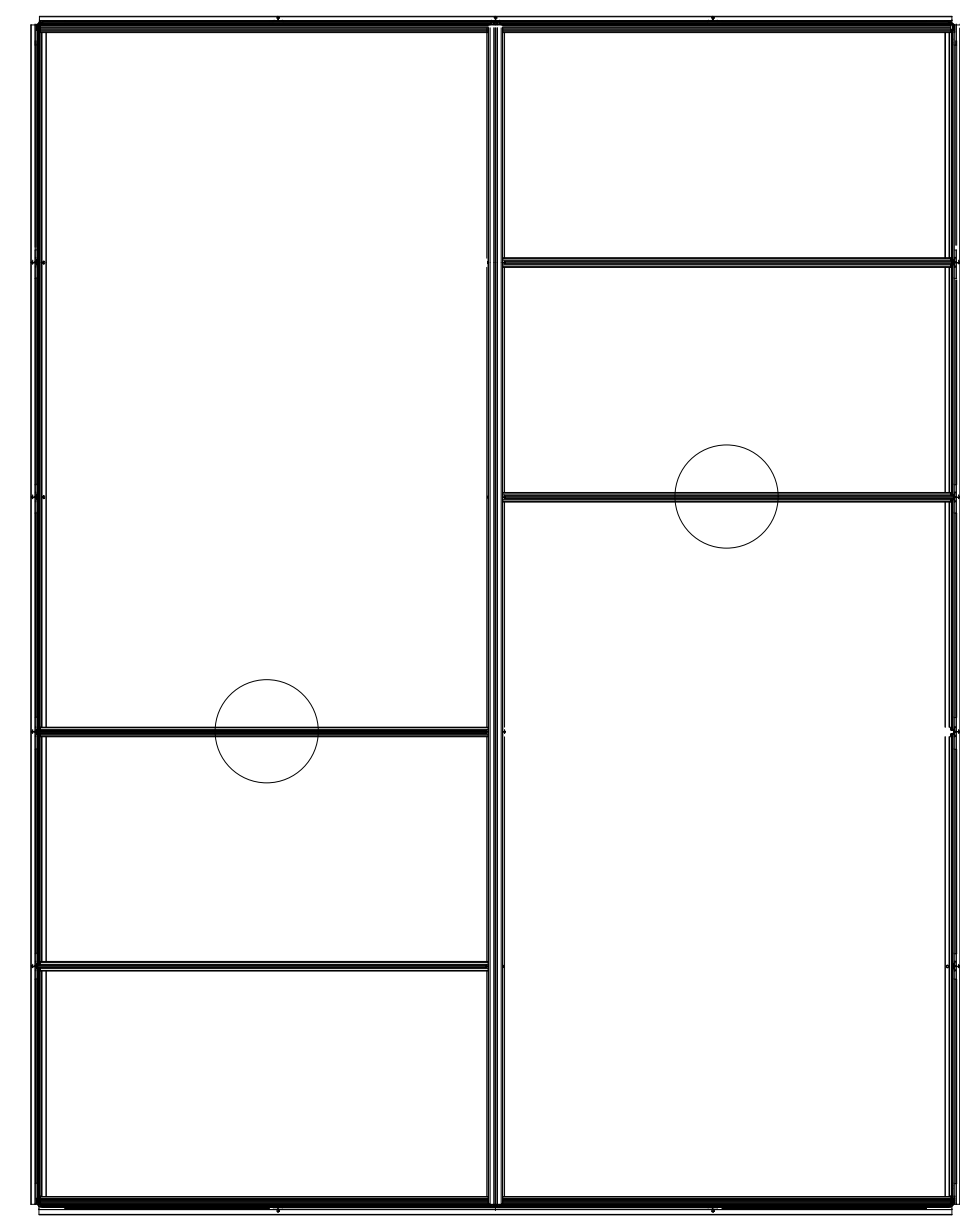
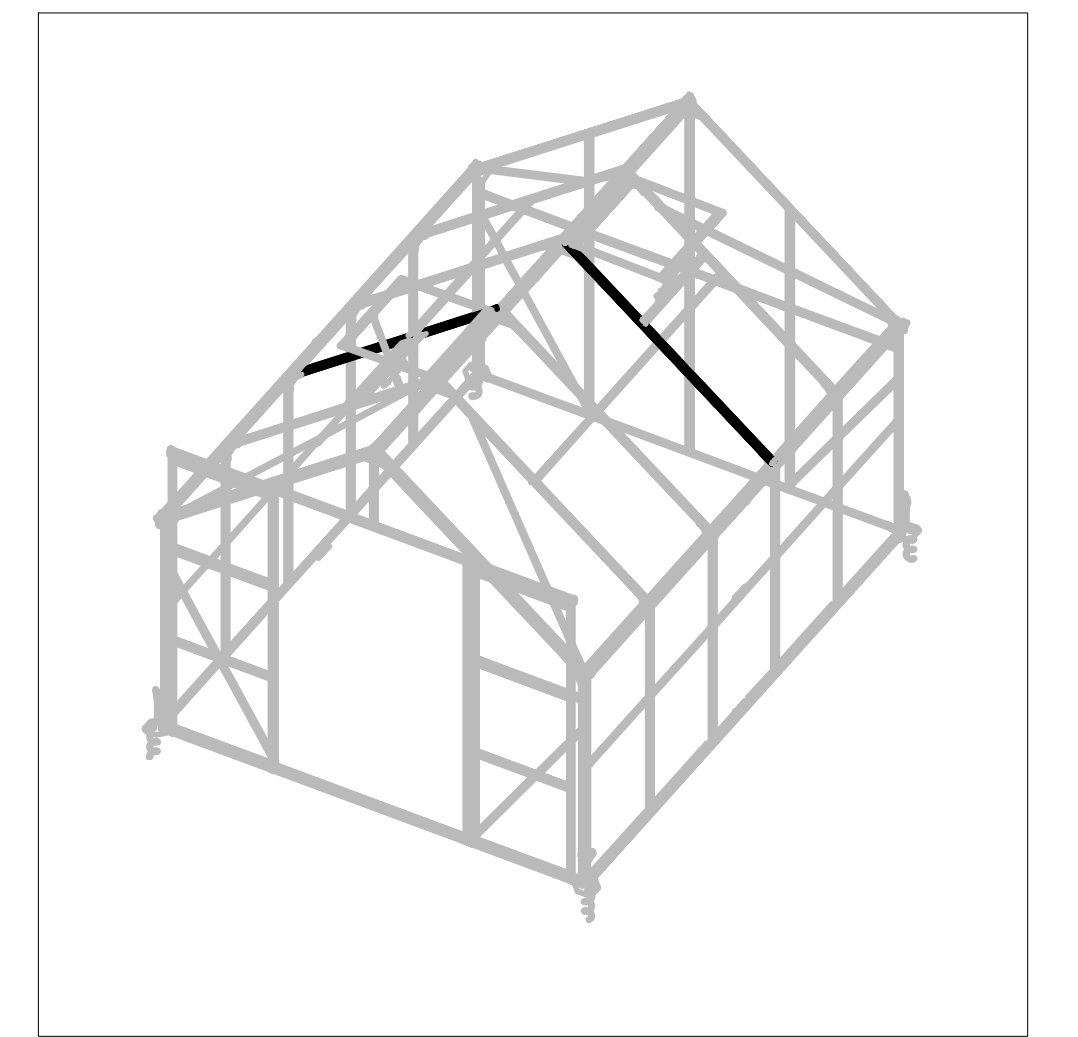
10x2



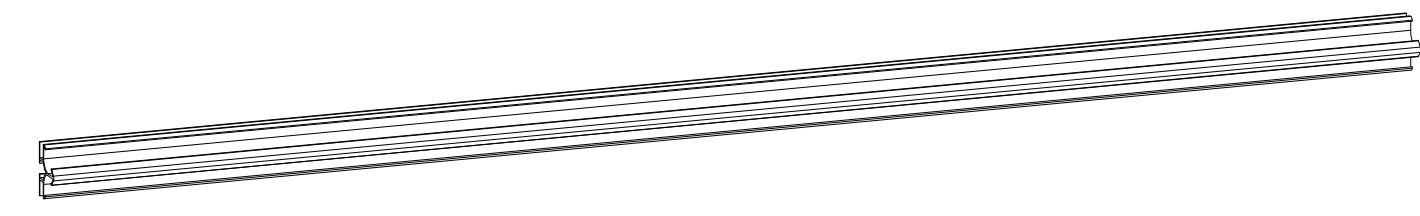
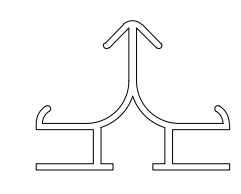
B5x2



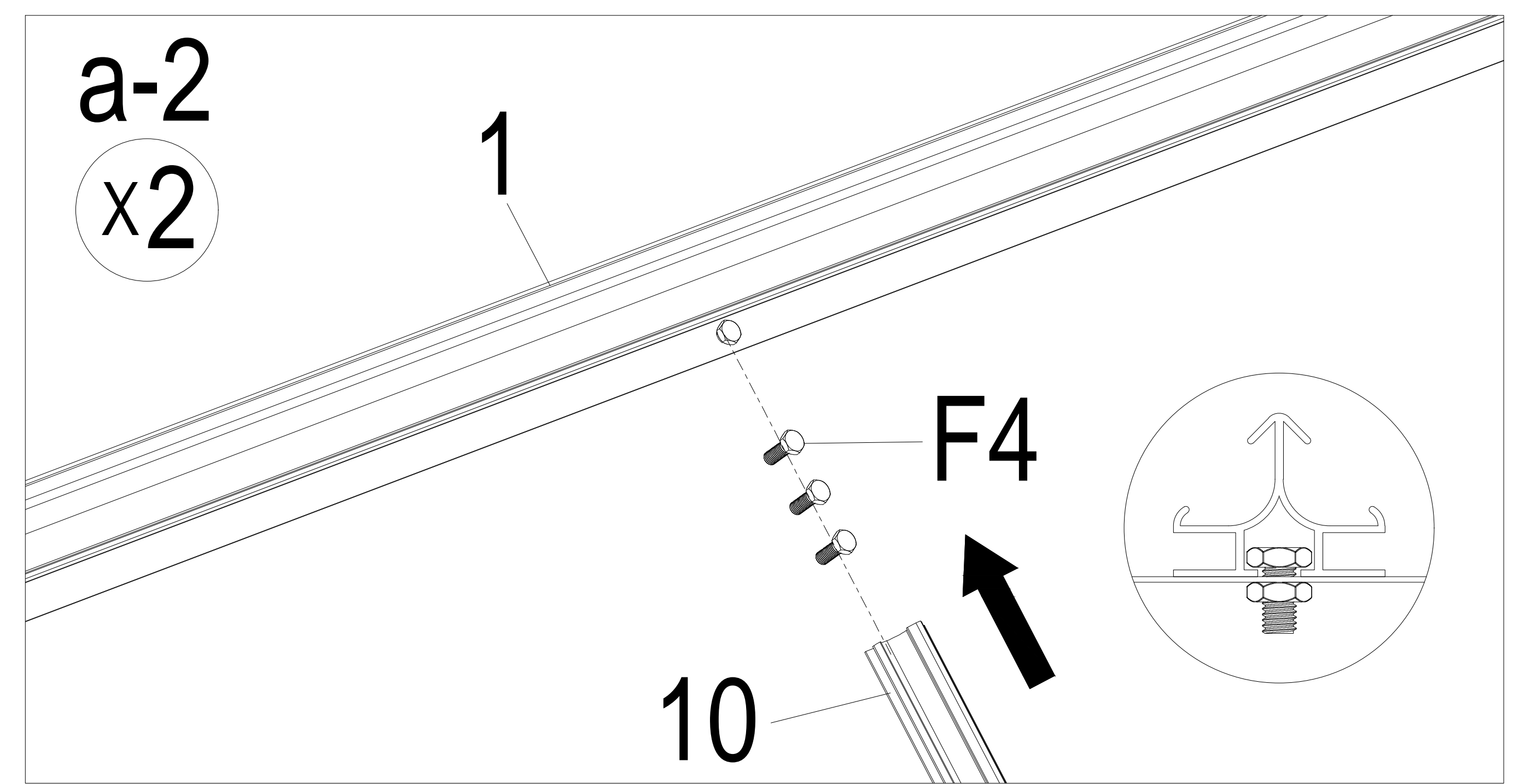
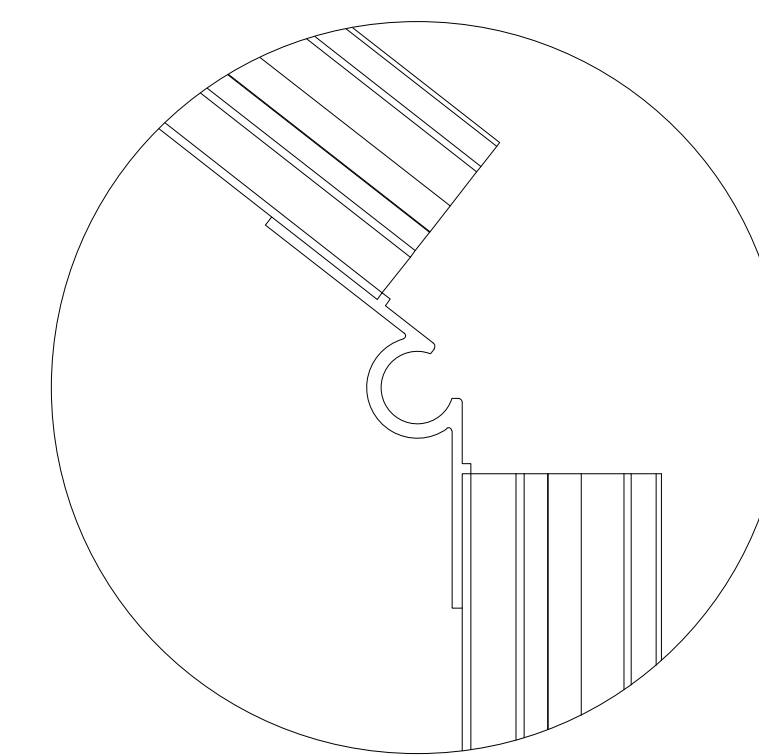
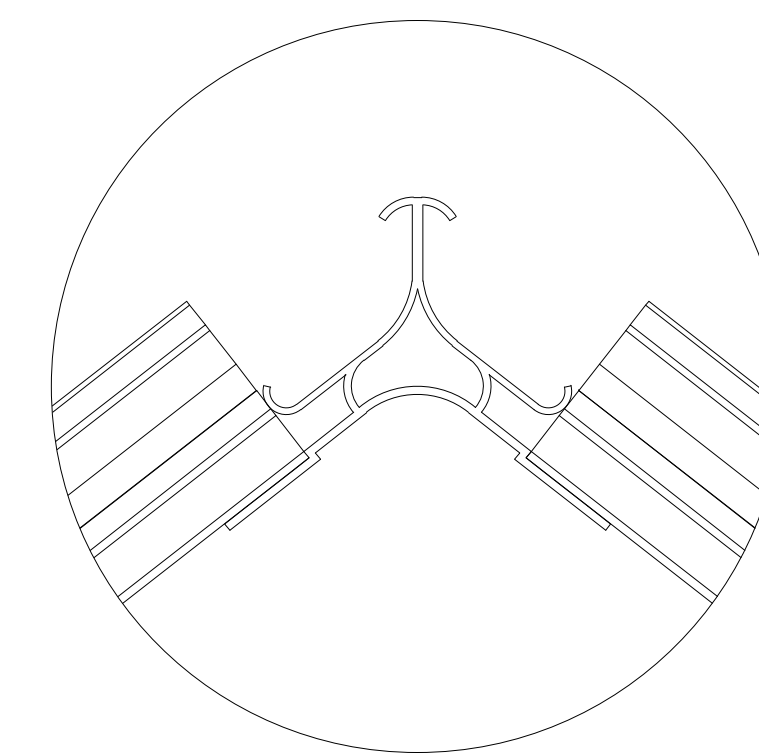
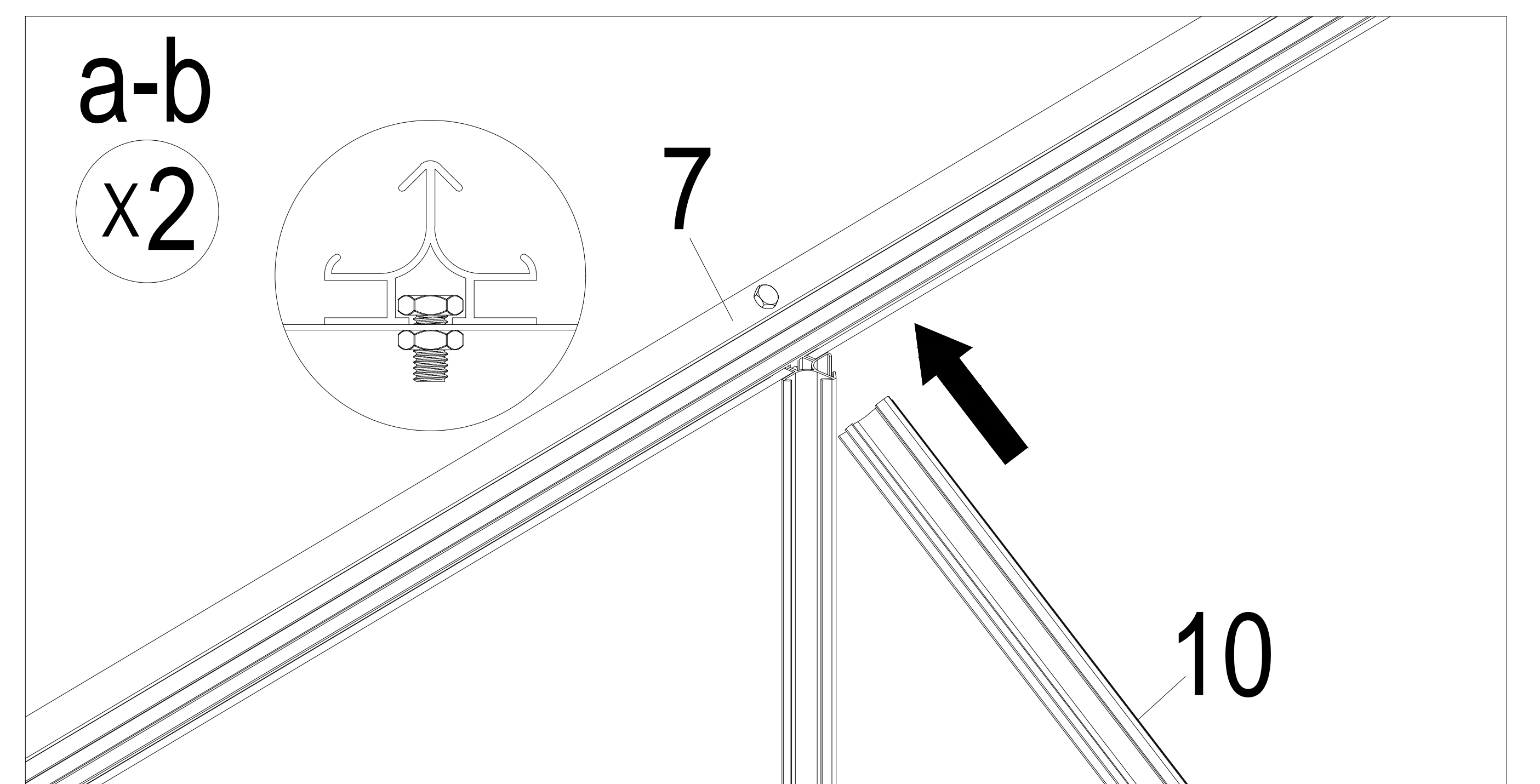
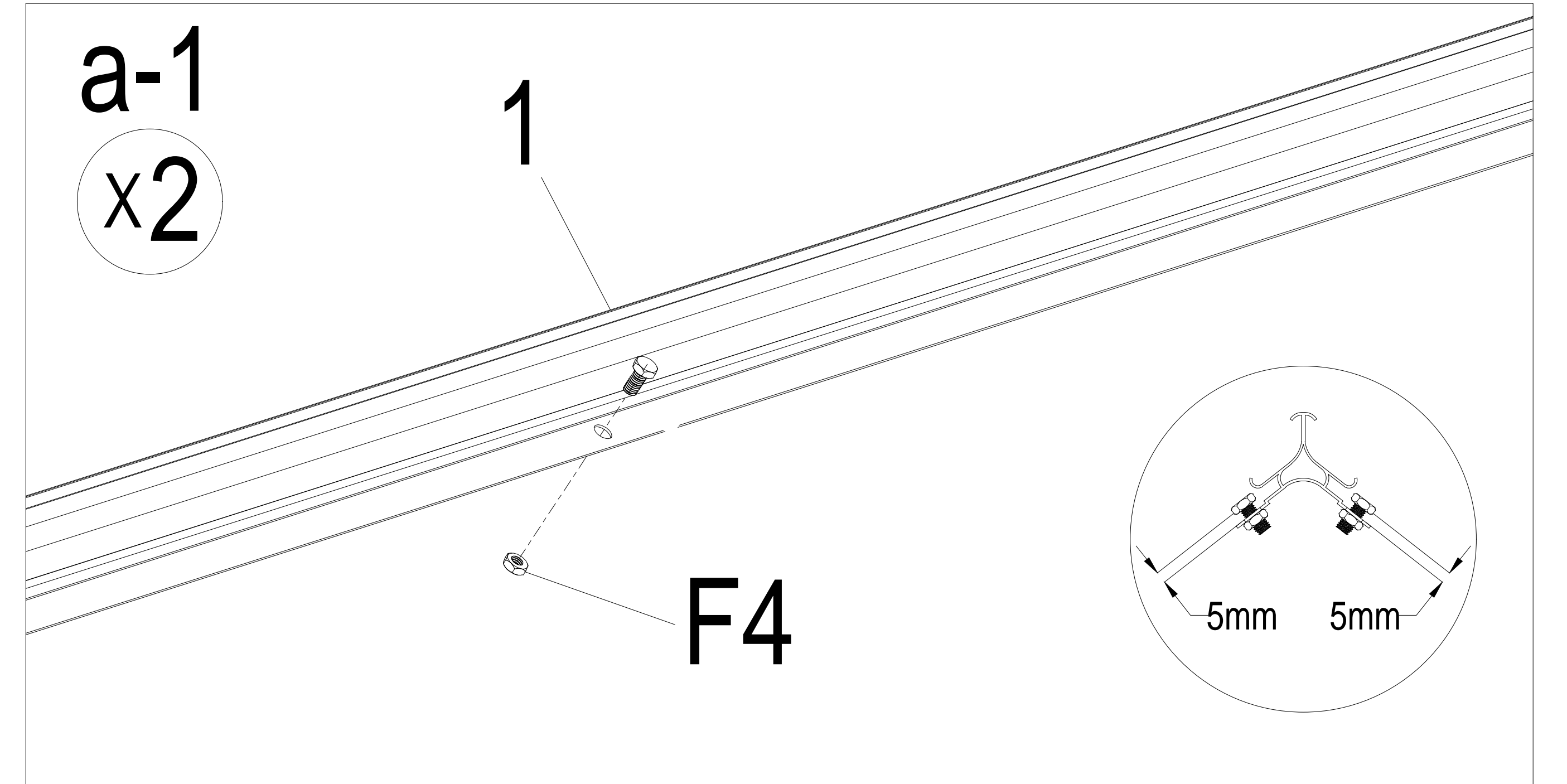
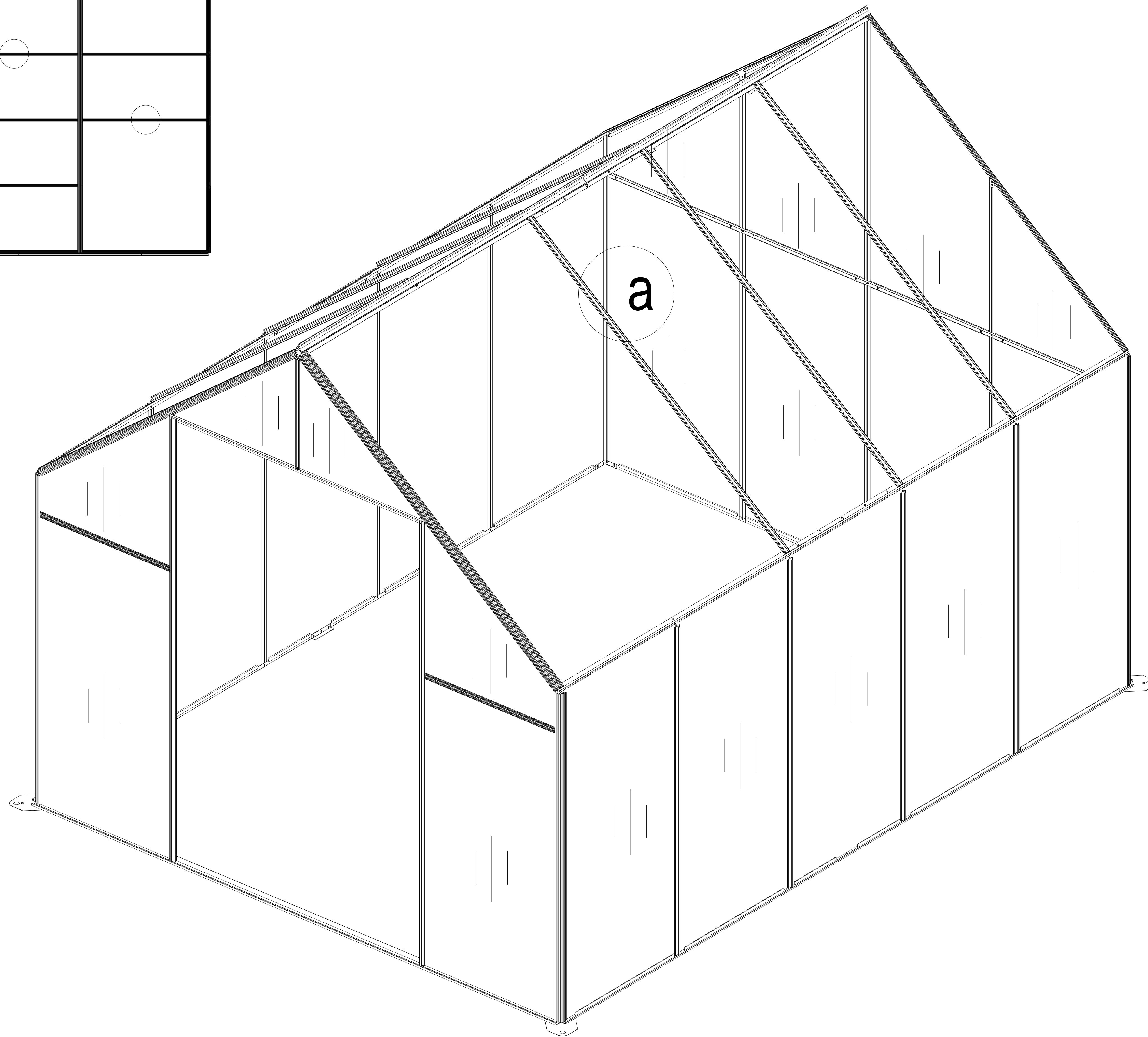
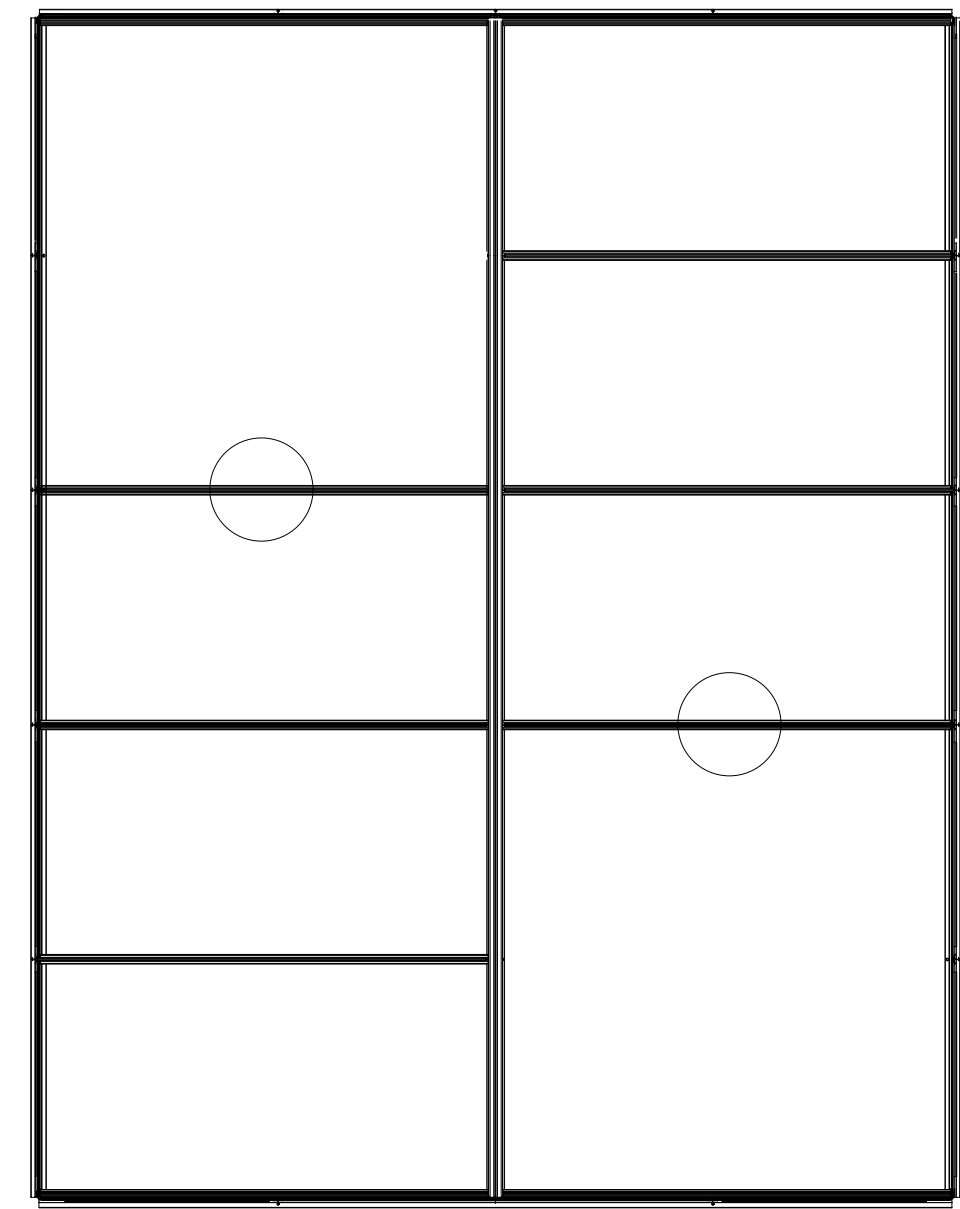
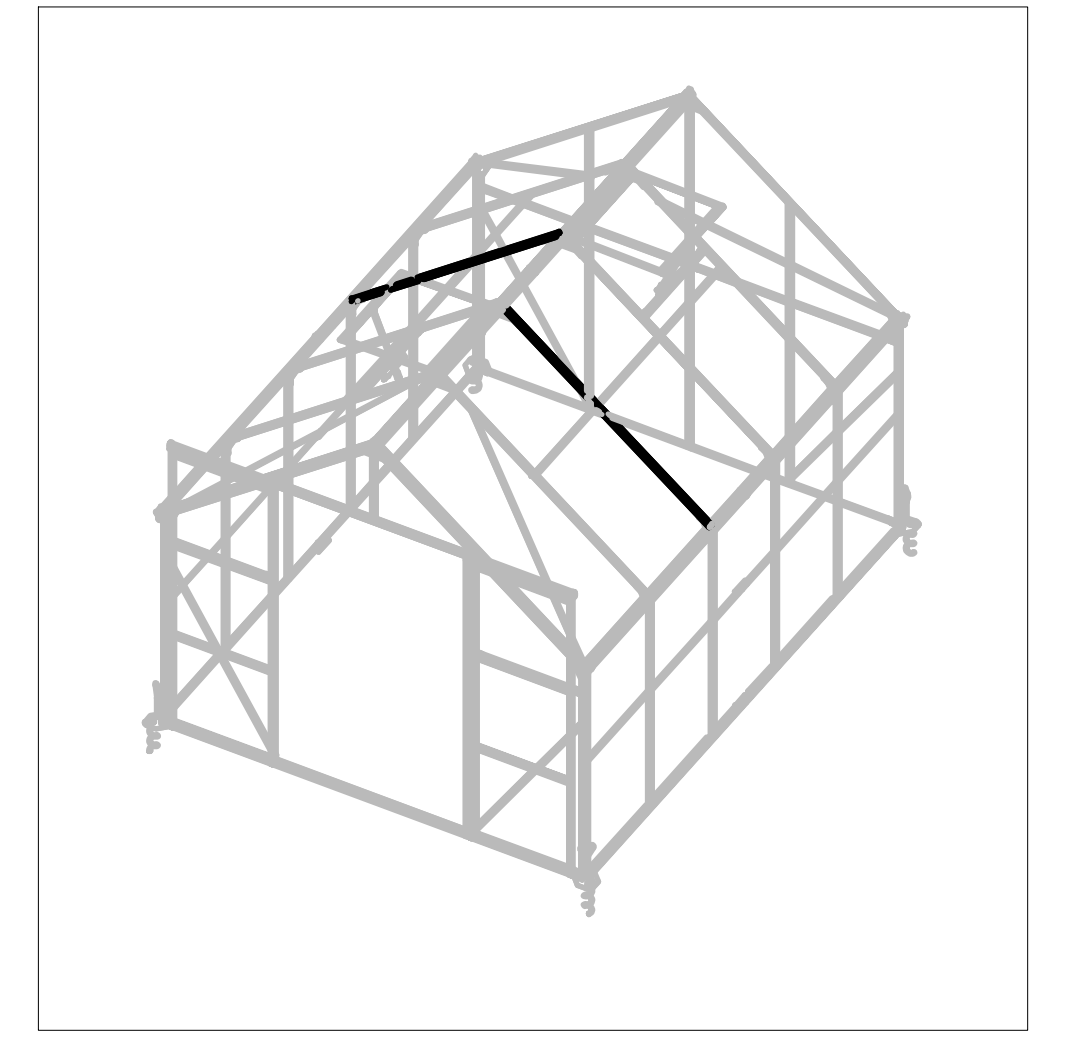
(M5x10)
F4x14



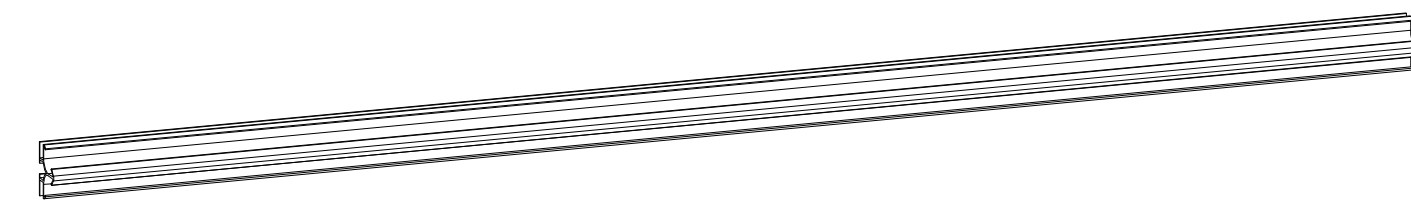
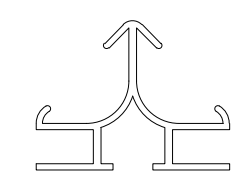
10x2



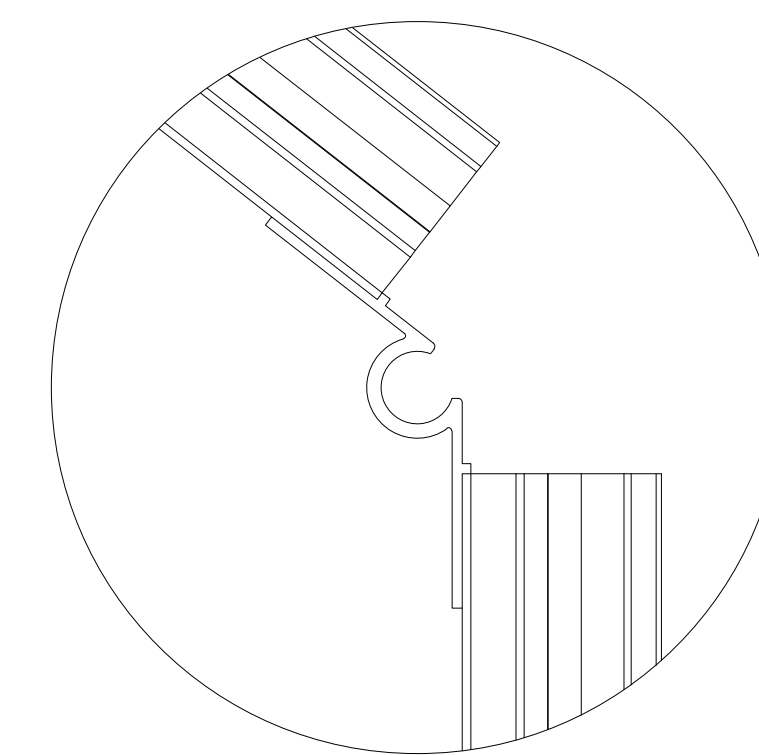
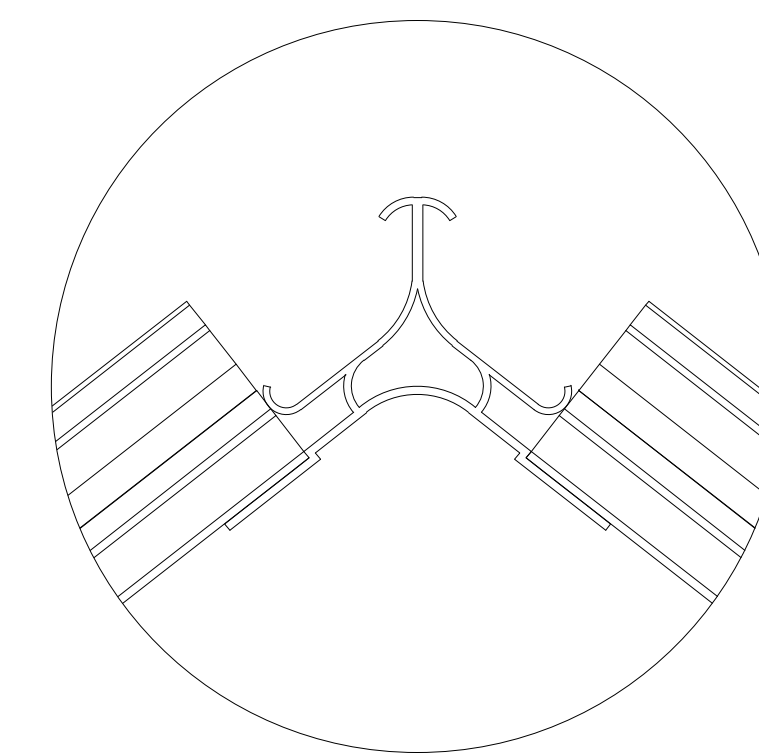
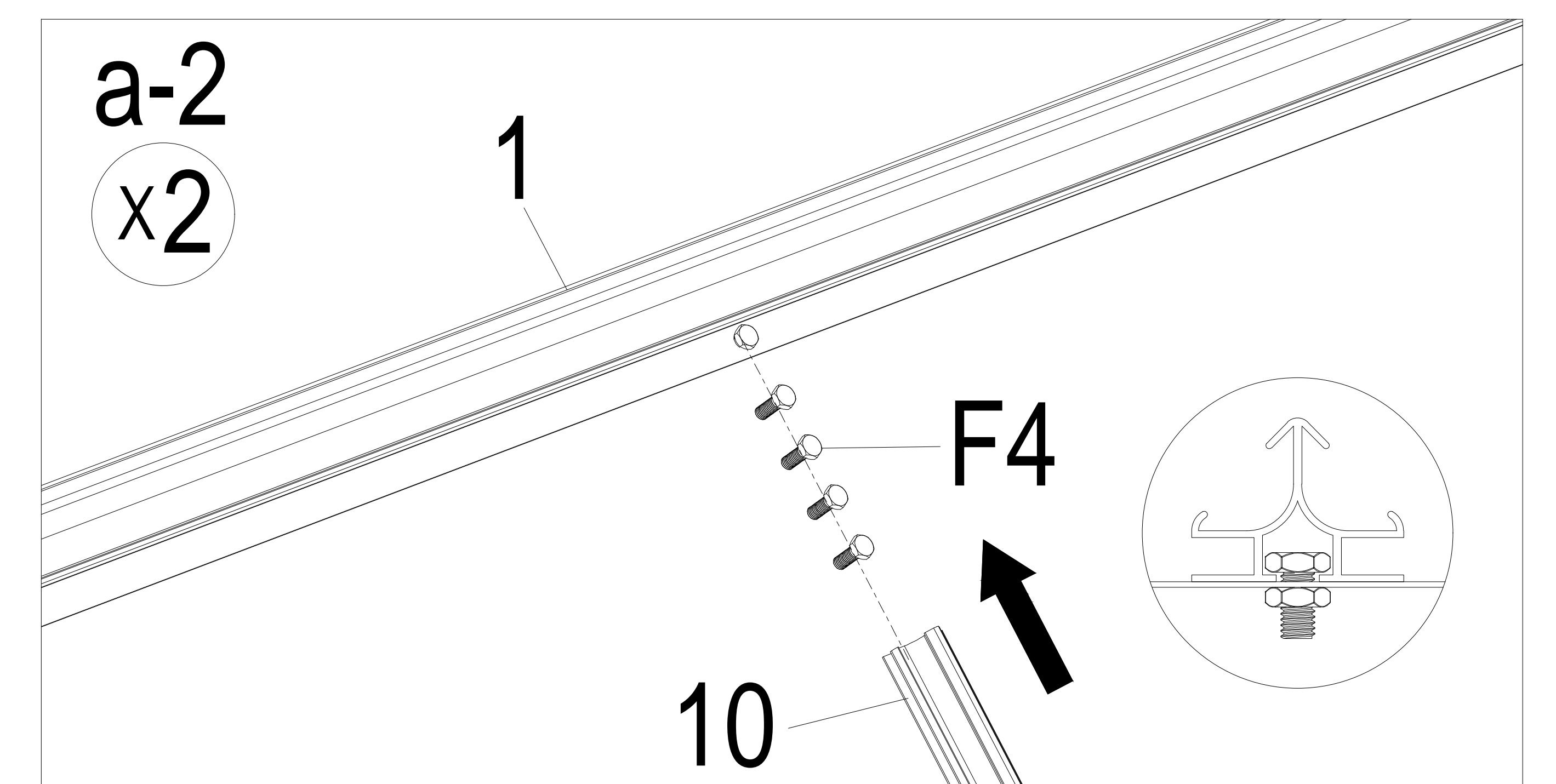
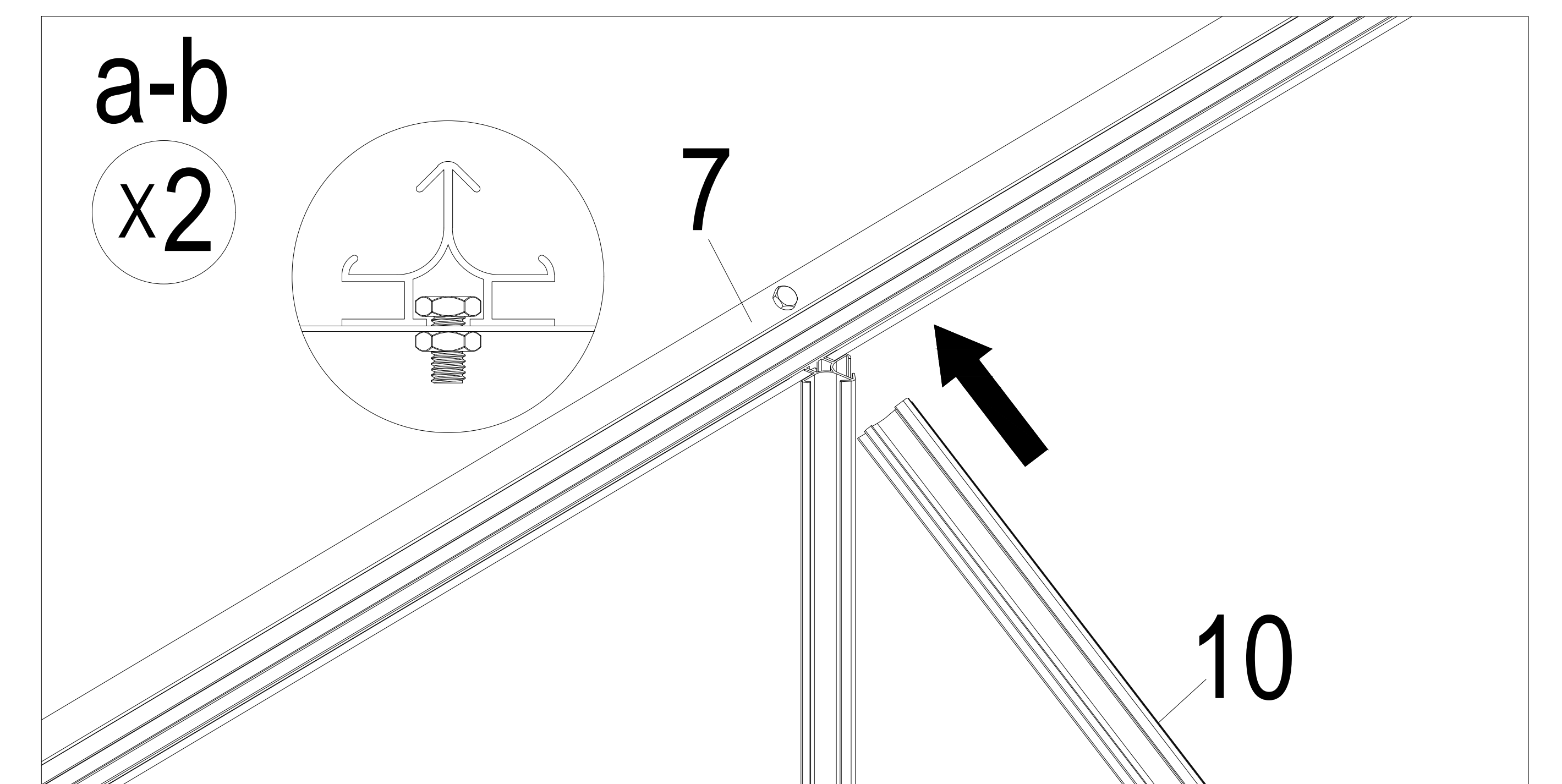
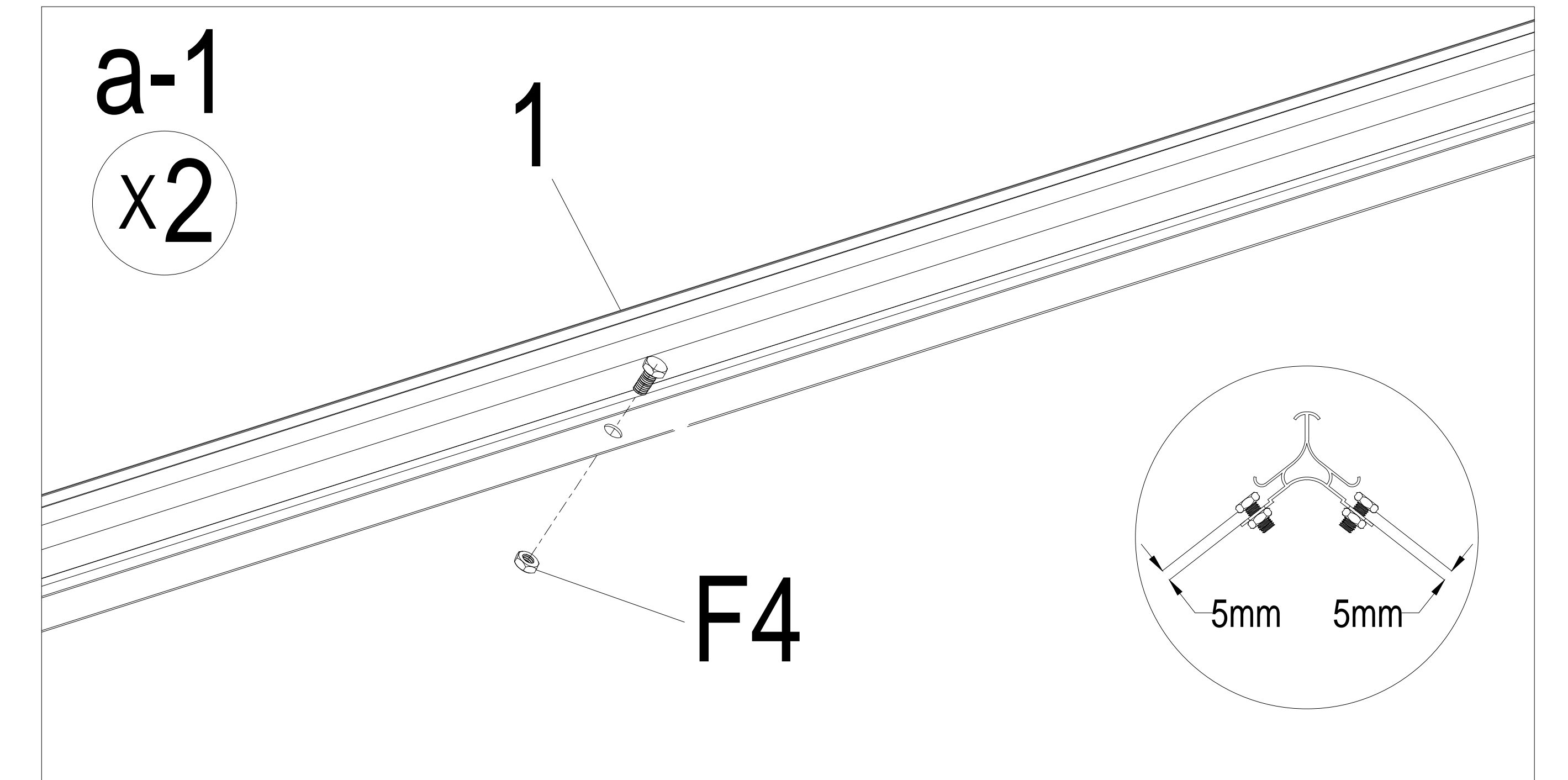
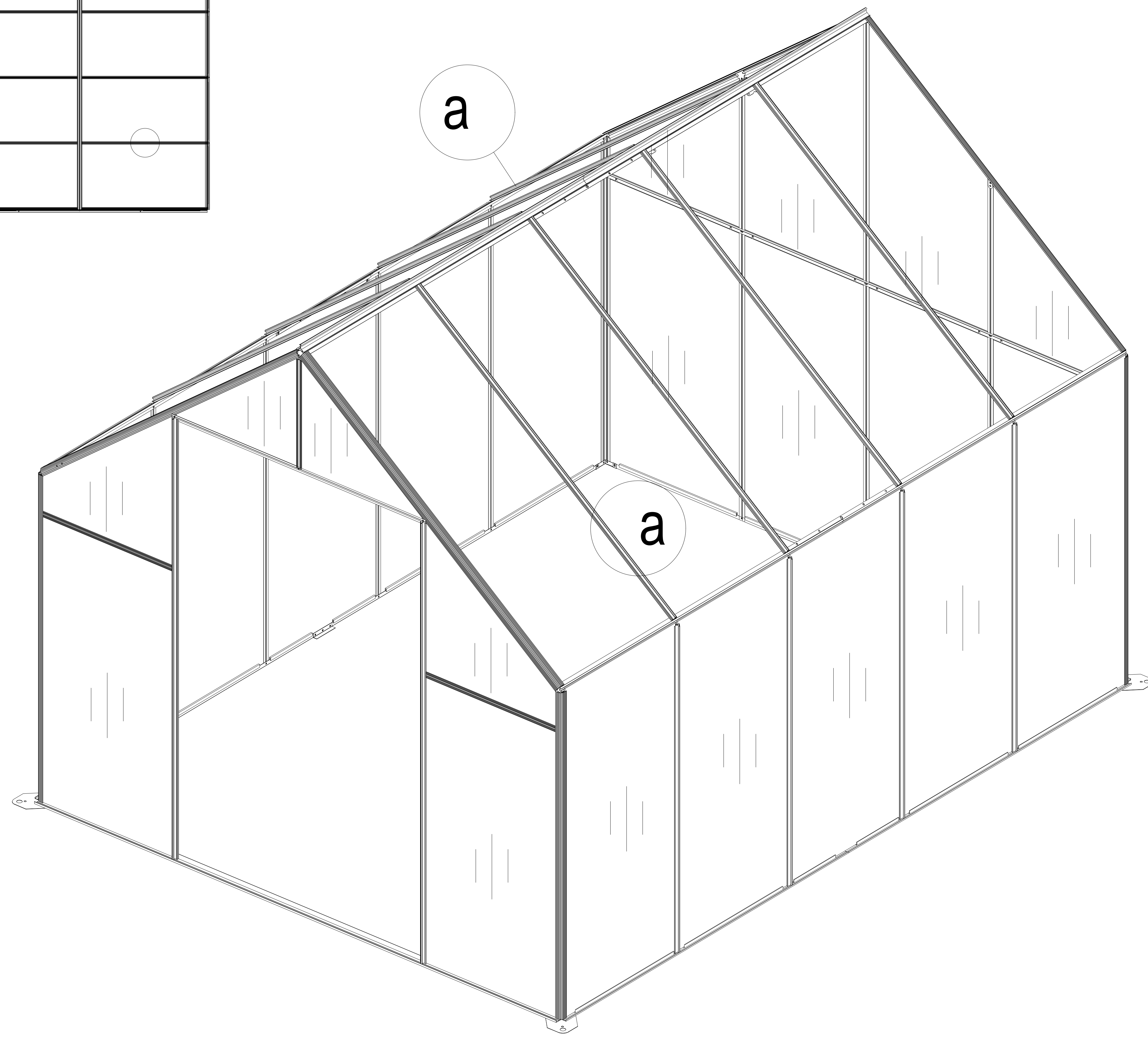
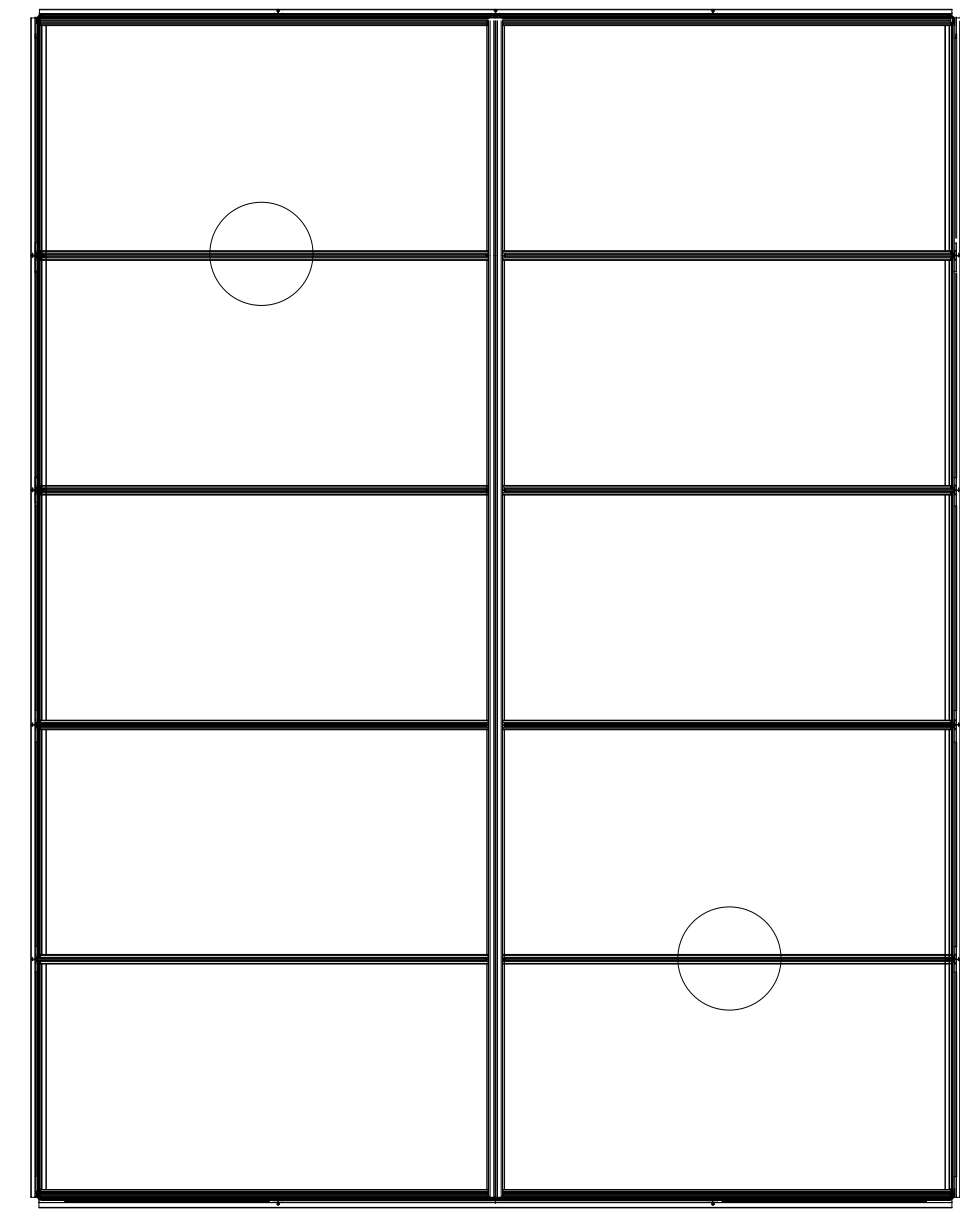
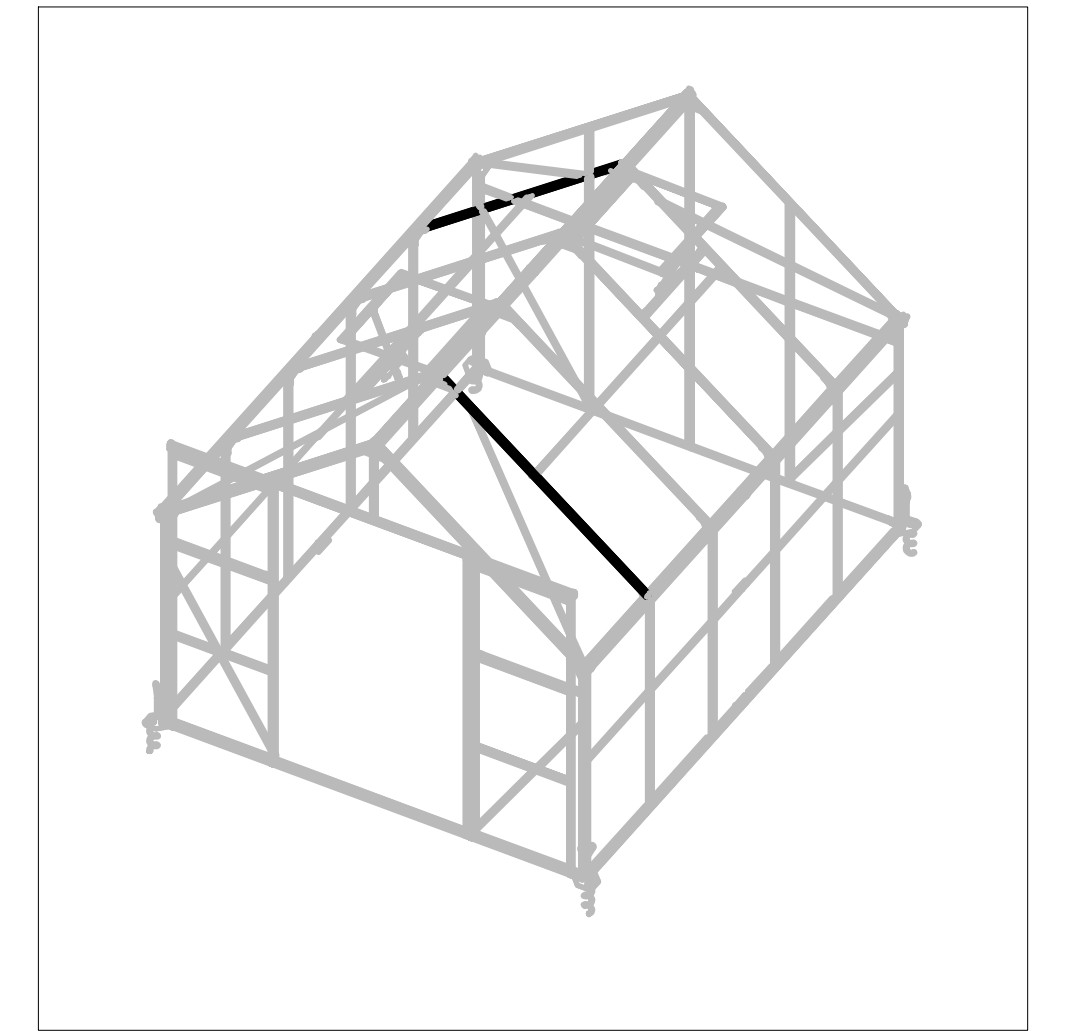
(M5x10)
F4x8

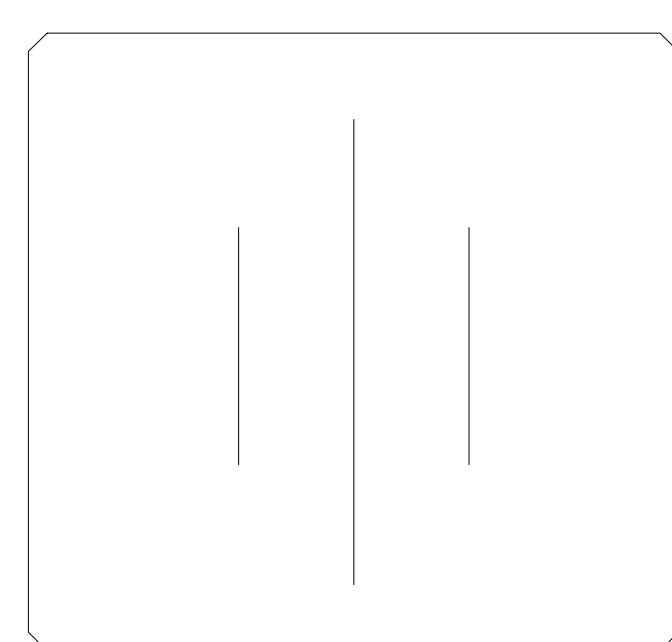


10x2

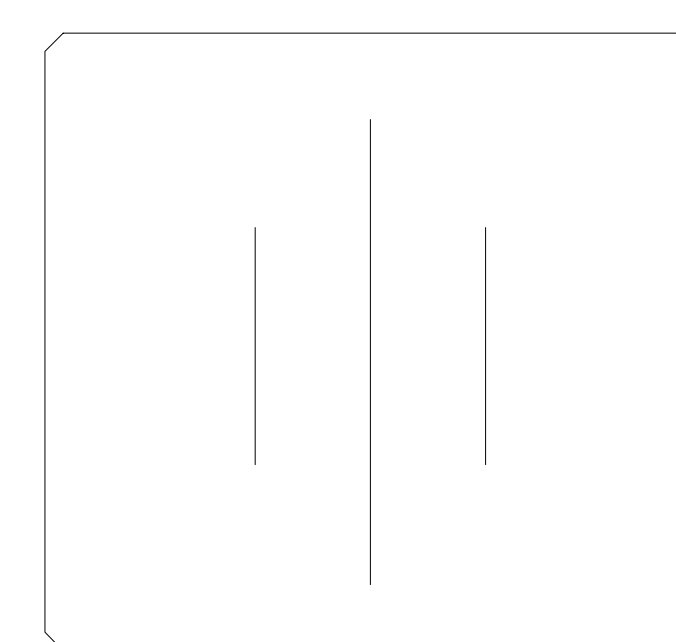


(M5x10)
F4x10

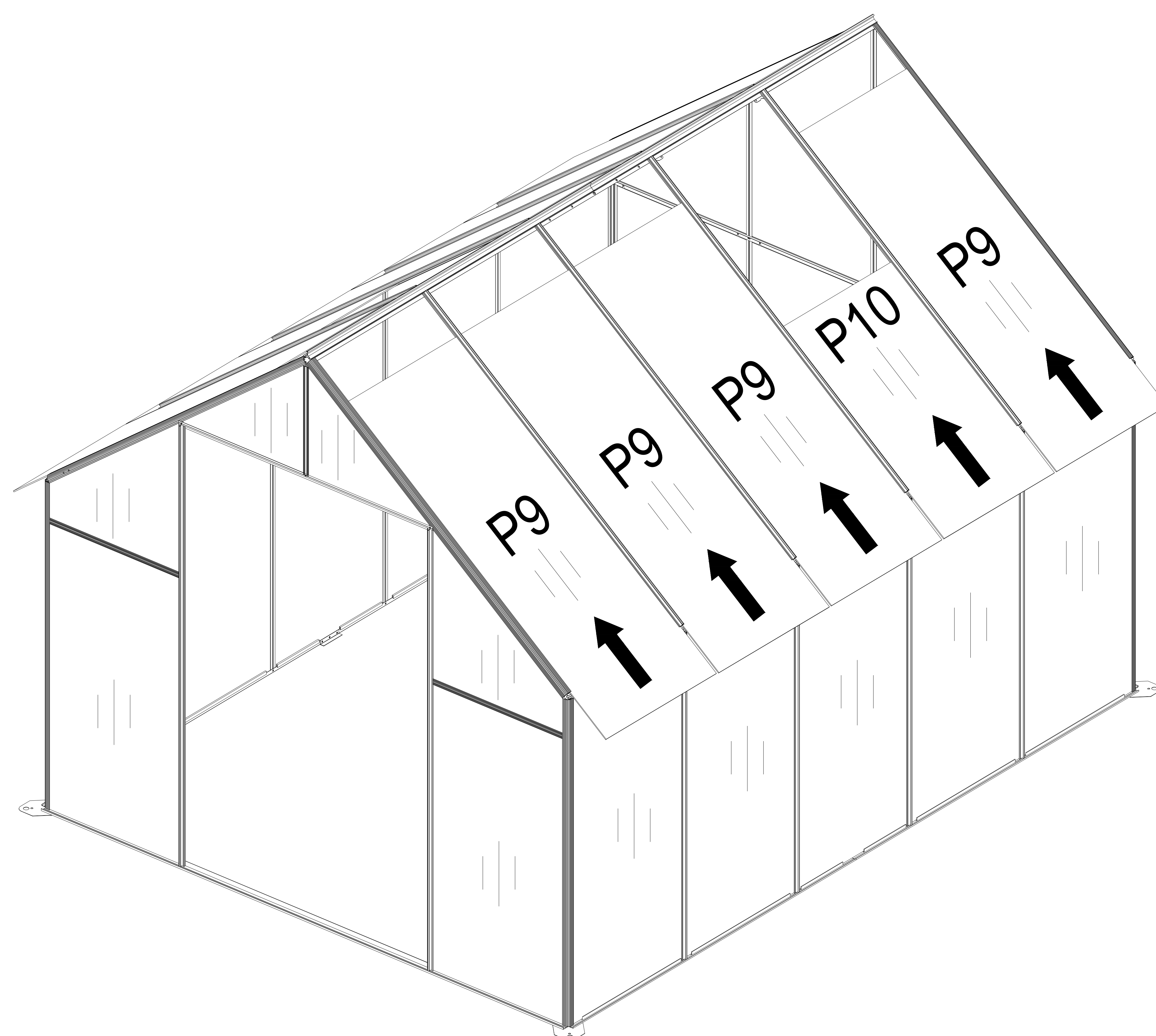
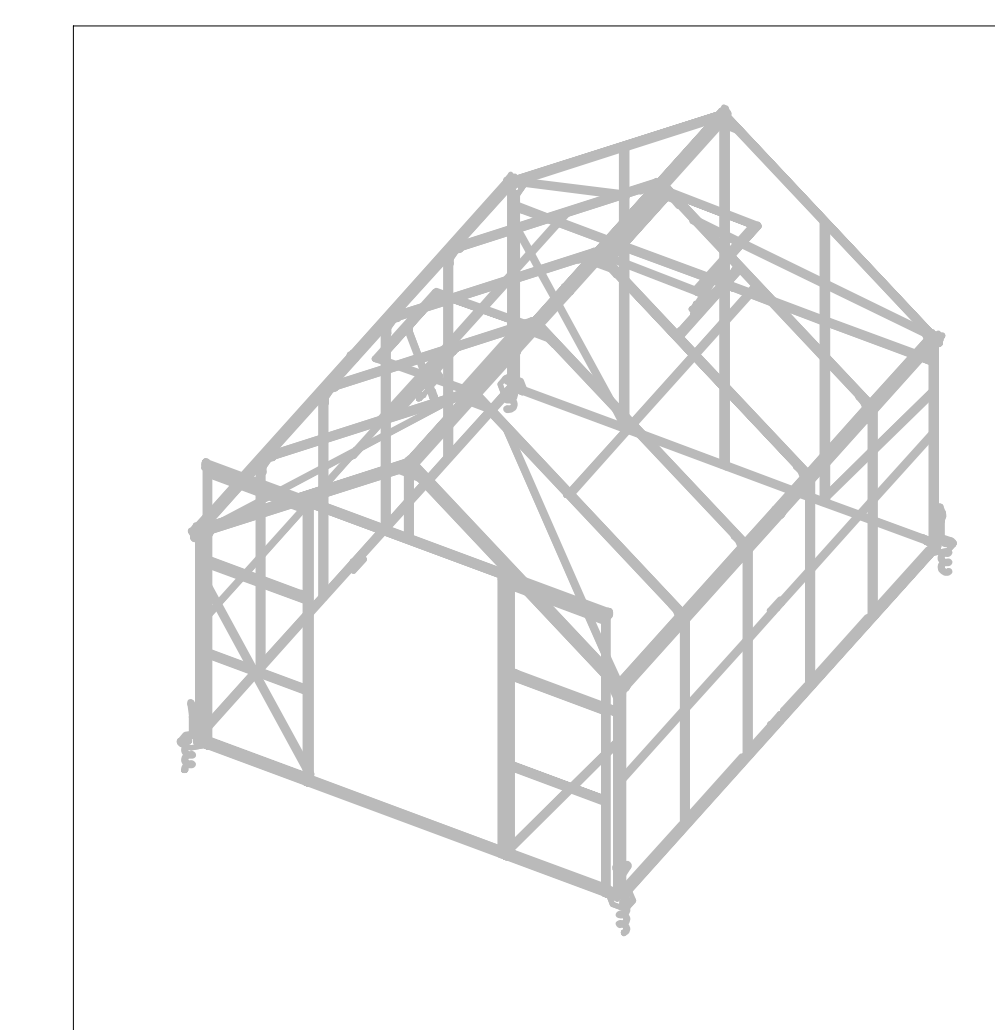




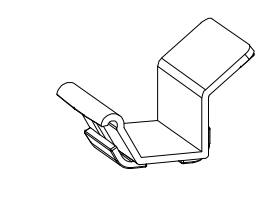
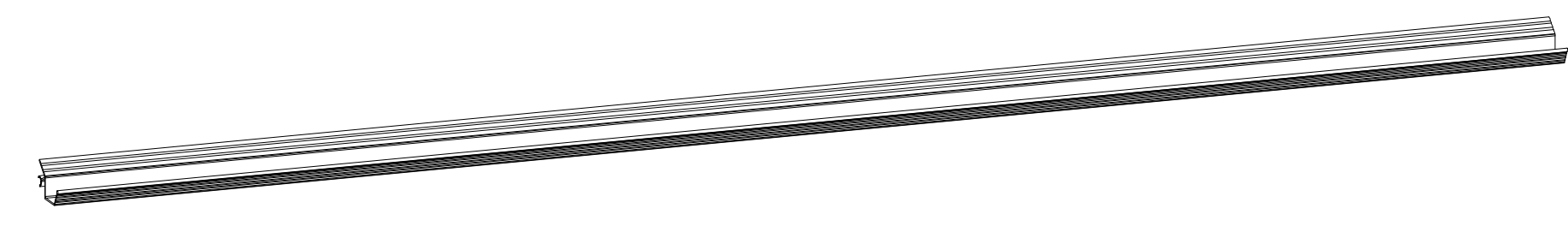
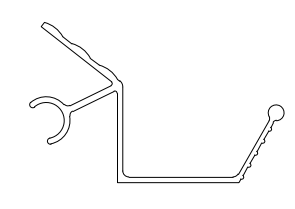
P9x8



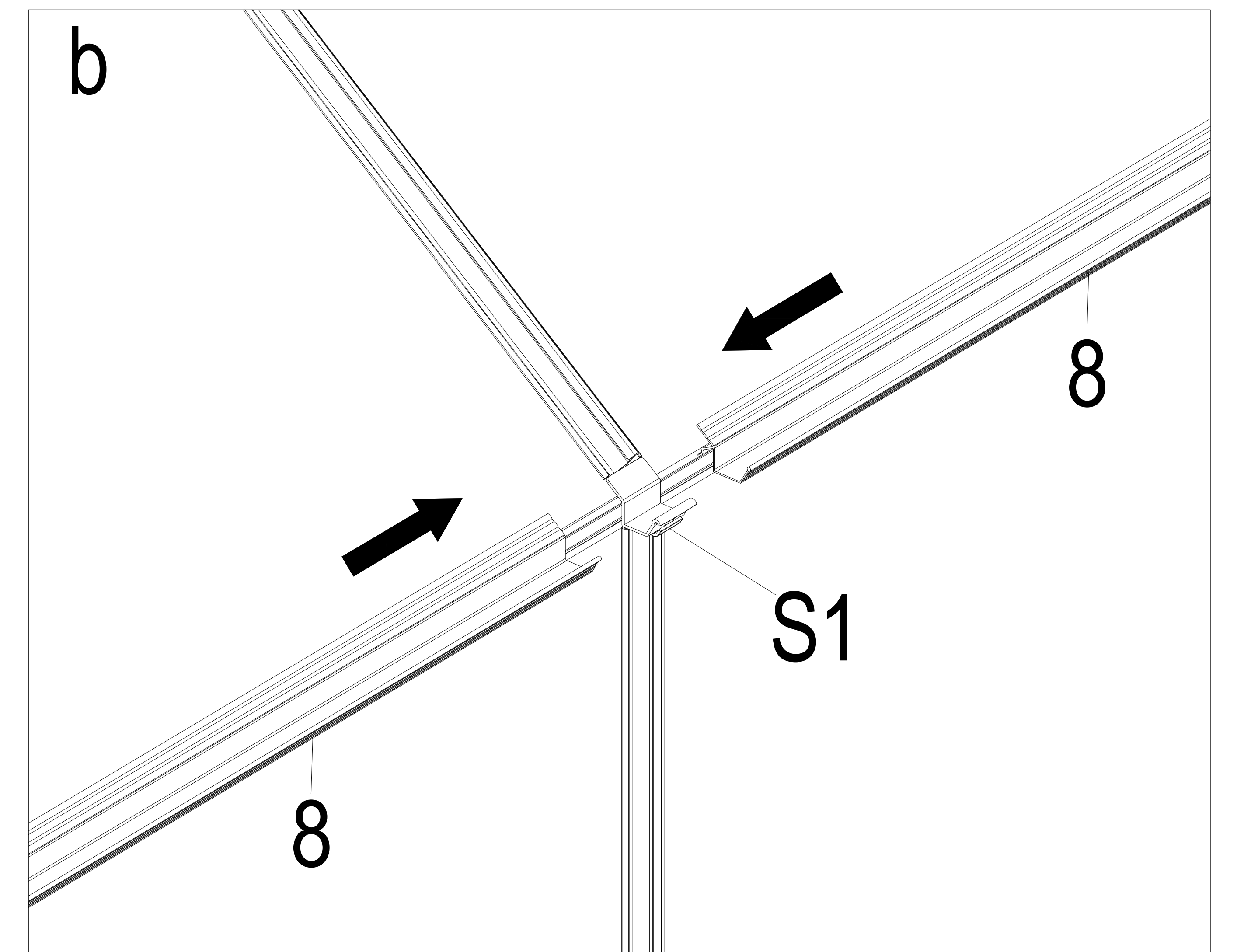
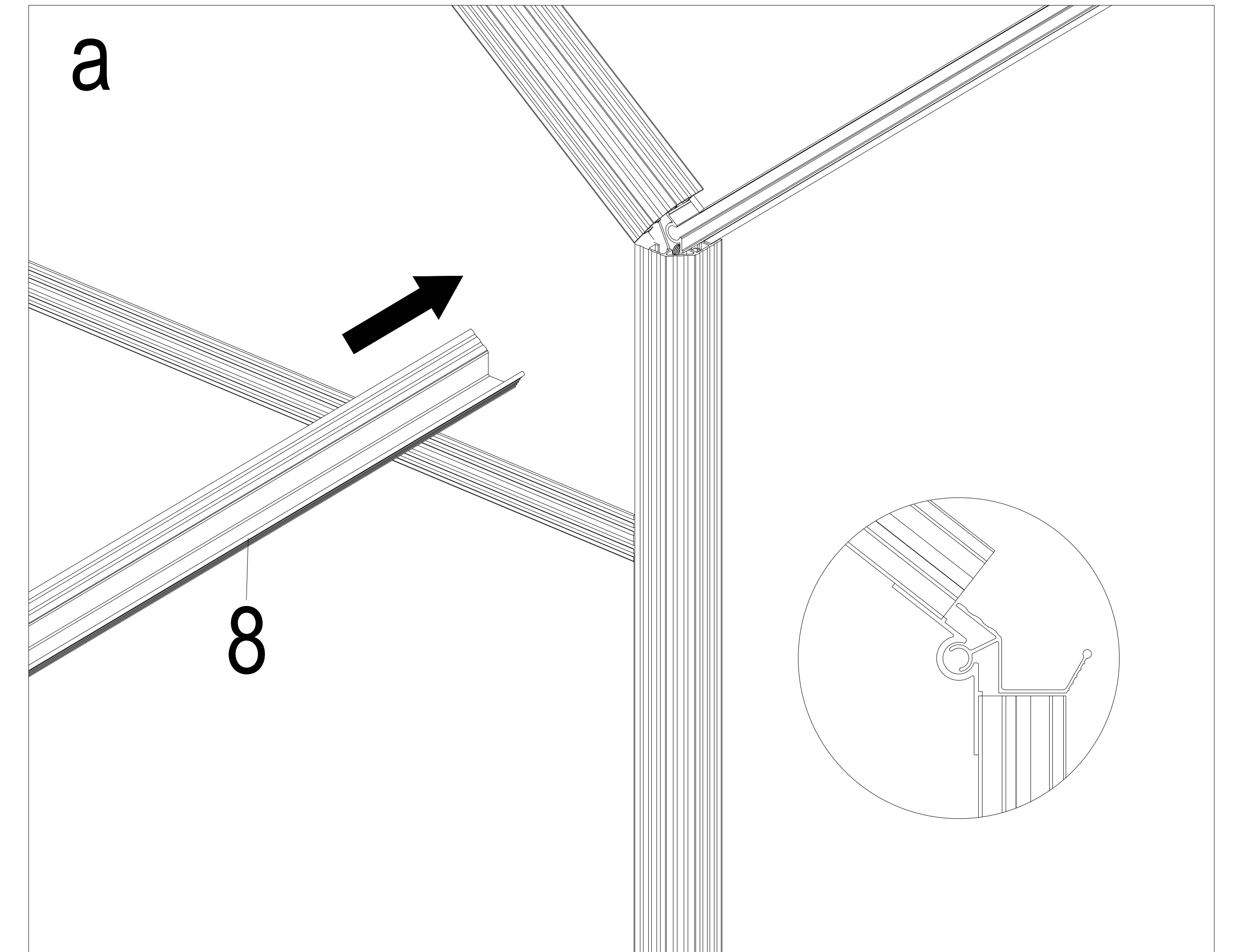
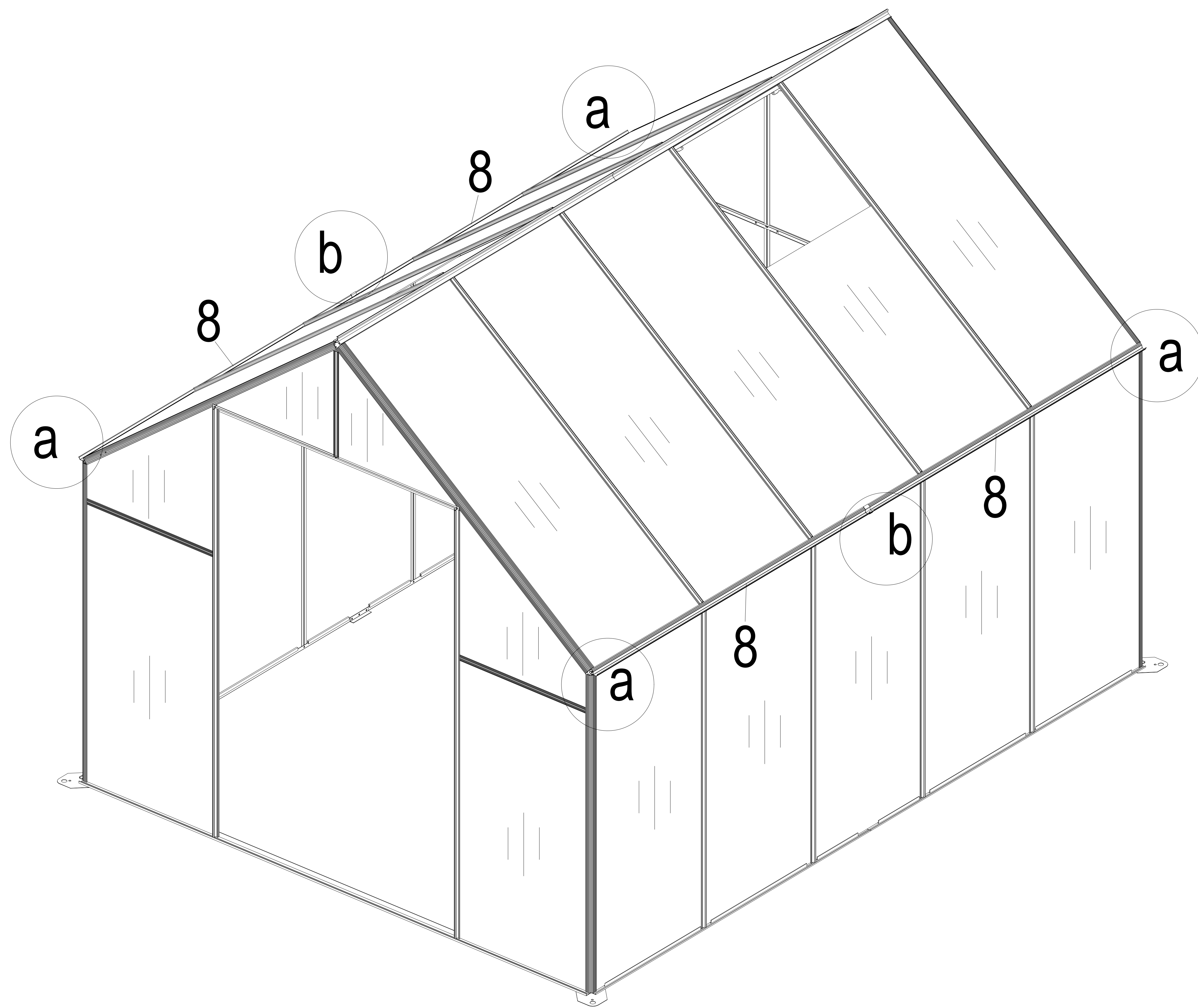
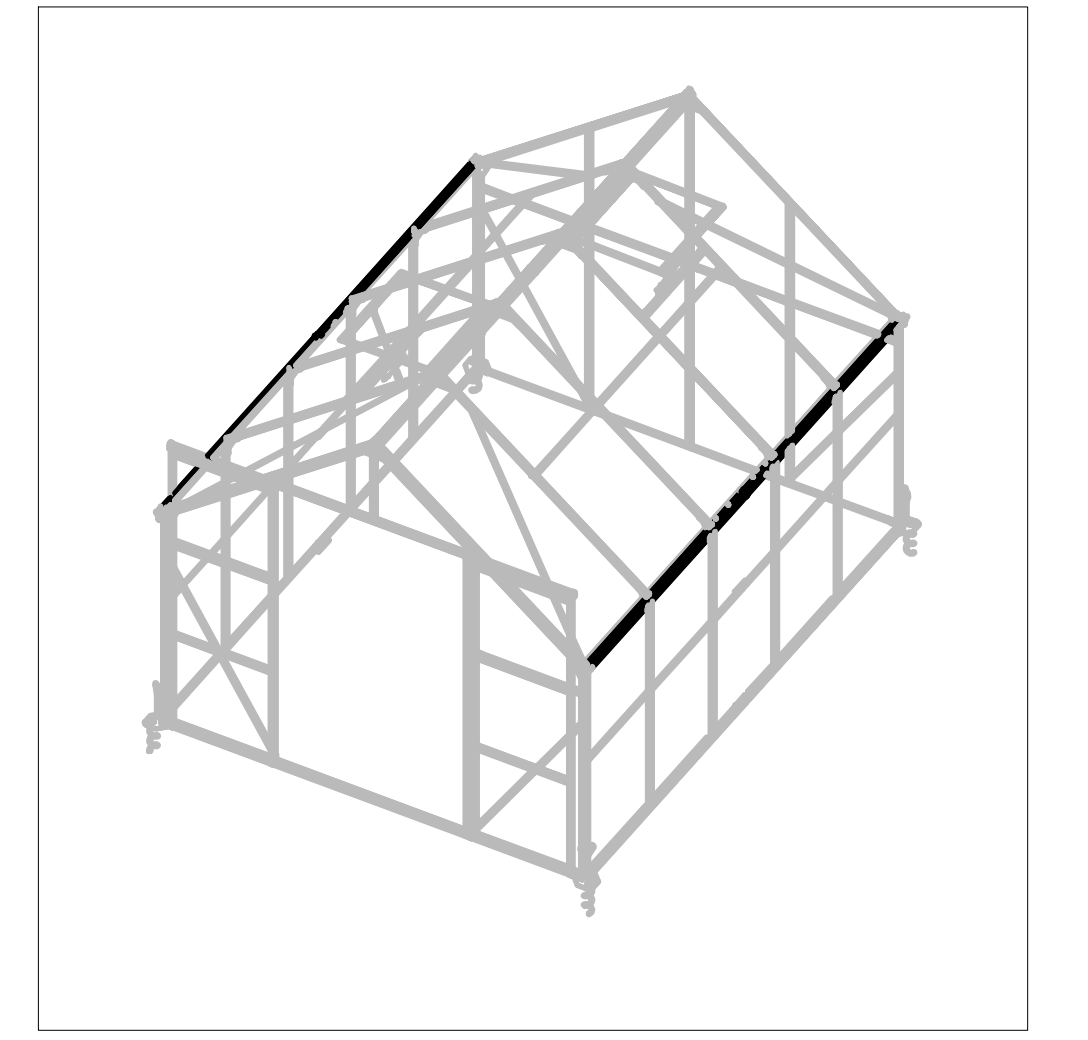
P10x2

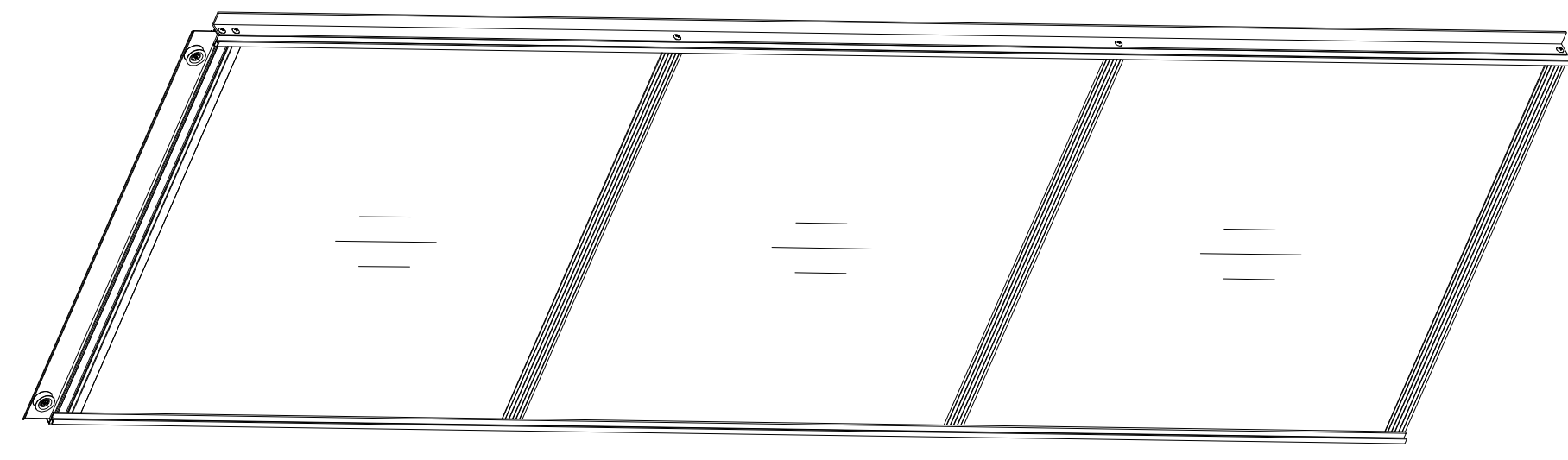


8x4

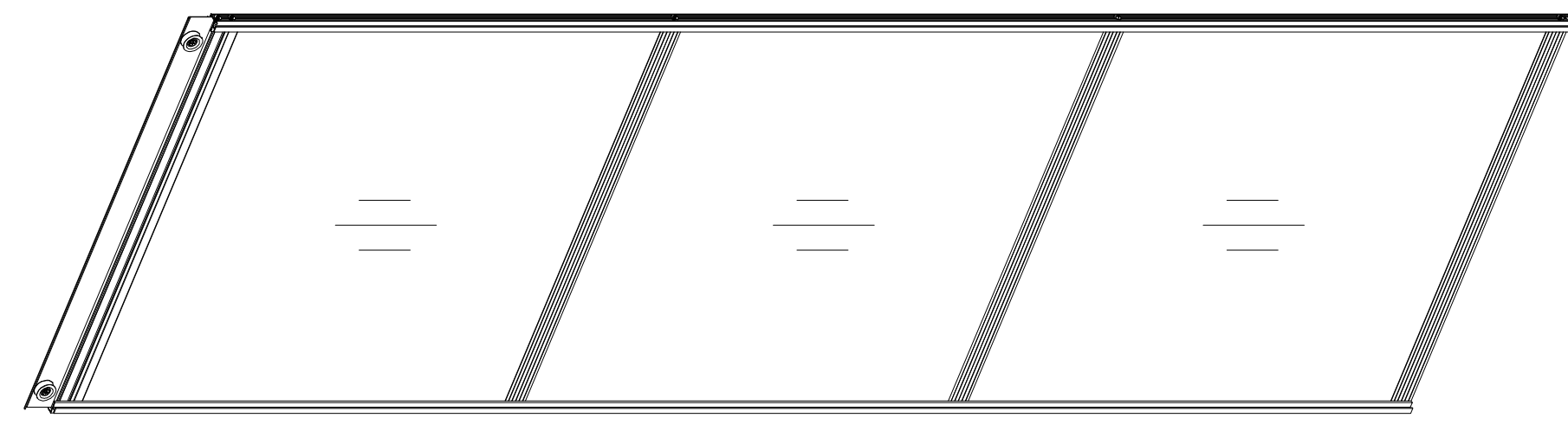


S1x2



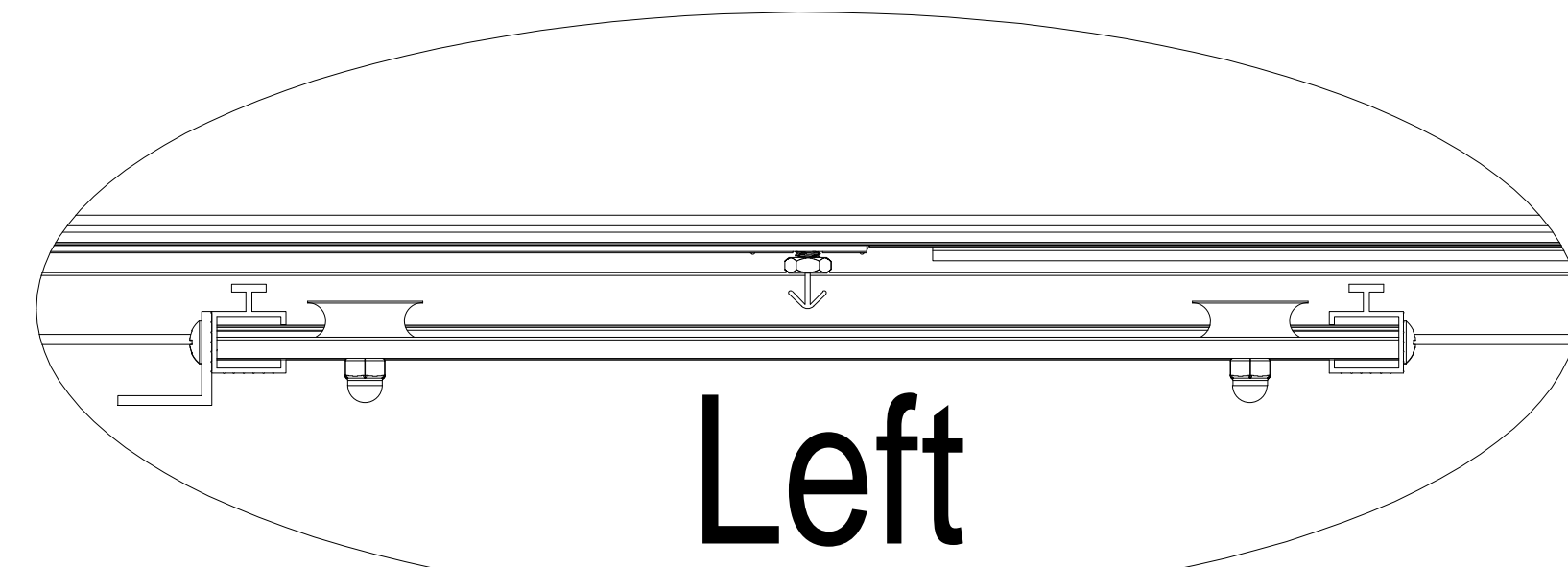
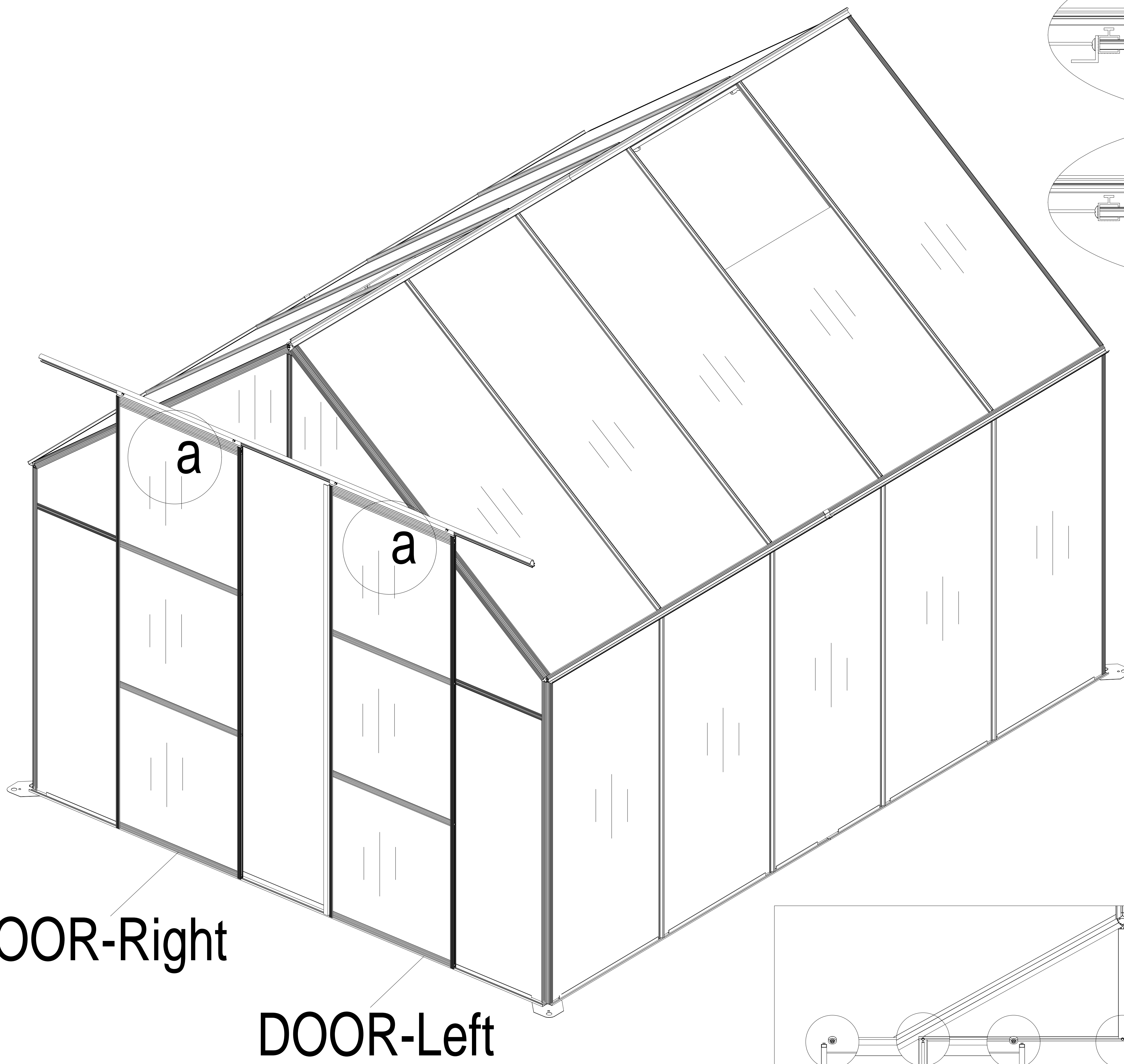
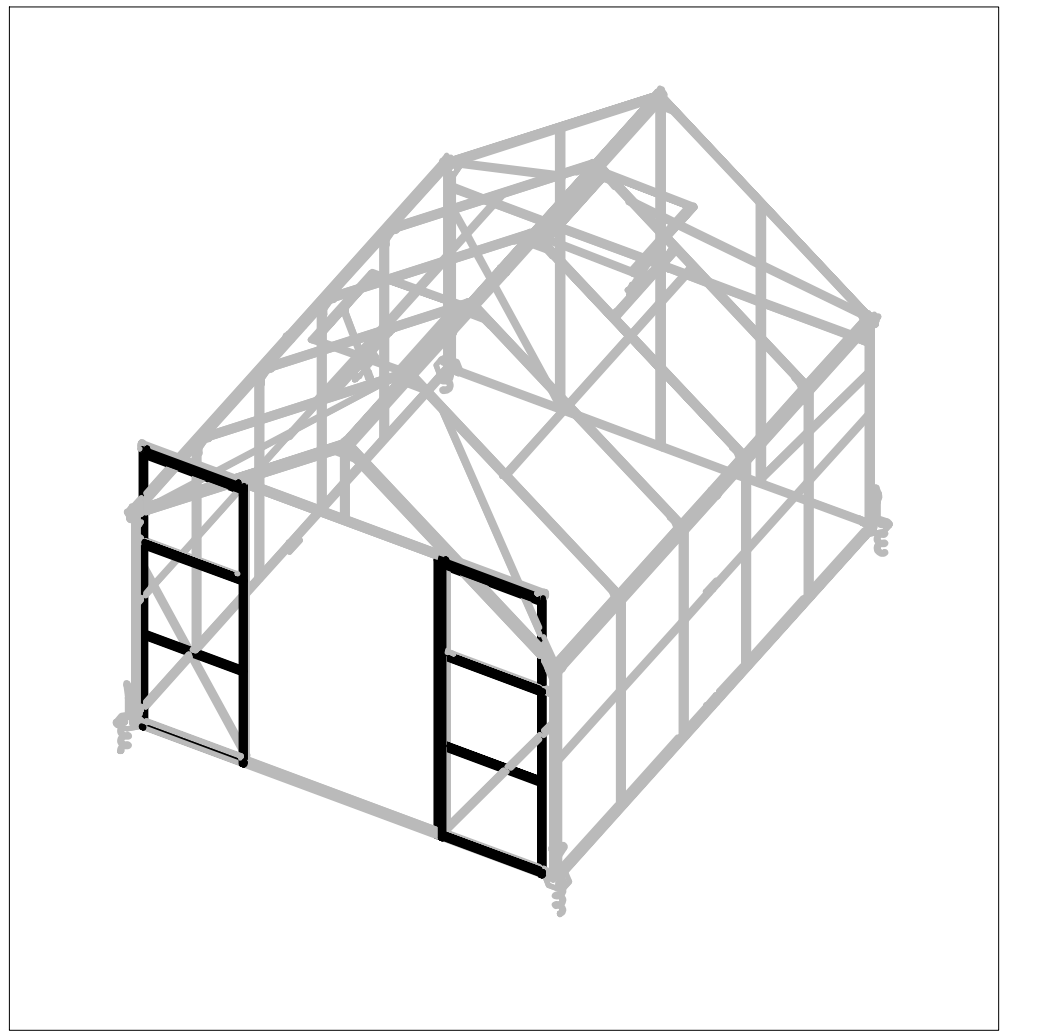
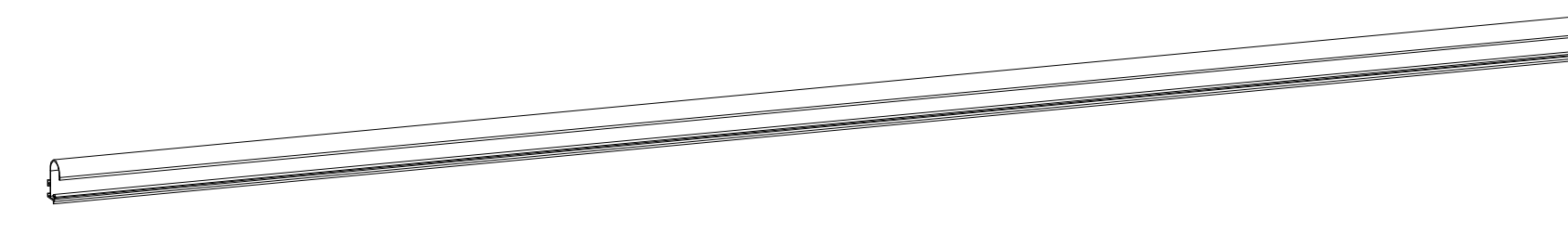
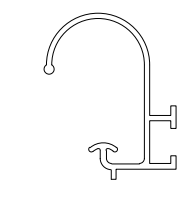


DOOR-Left

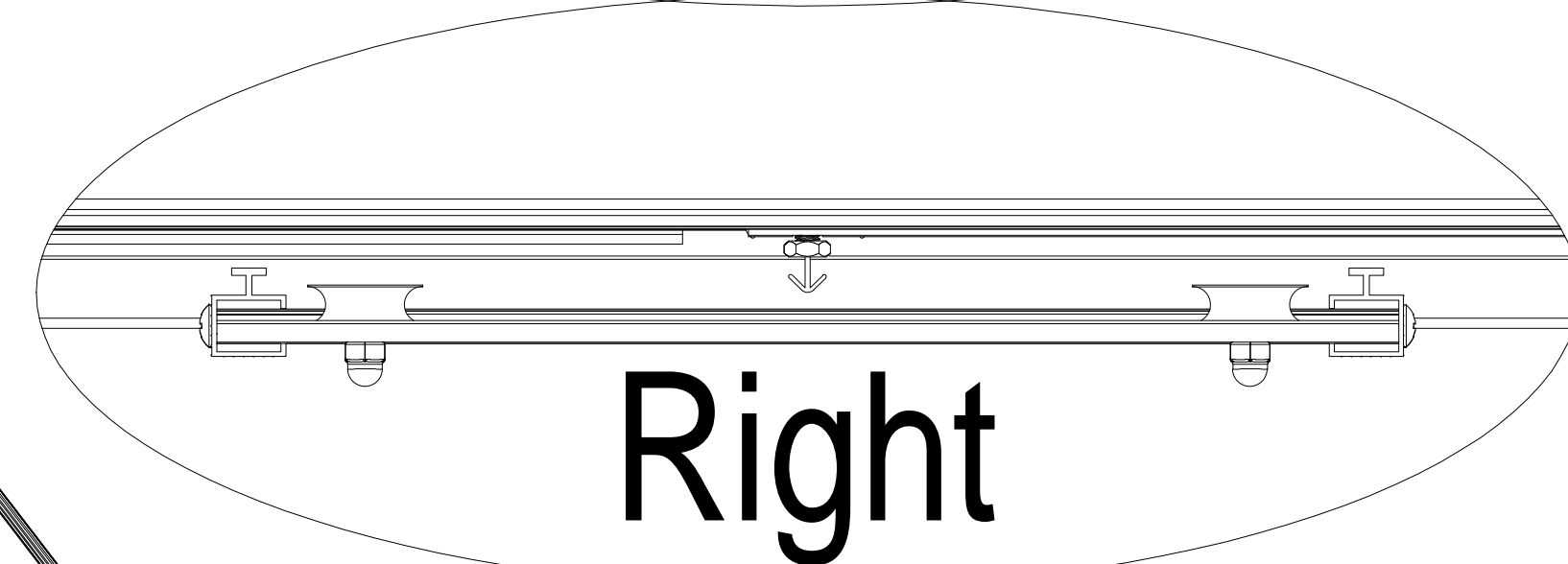


DOOR-Right

24x1

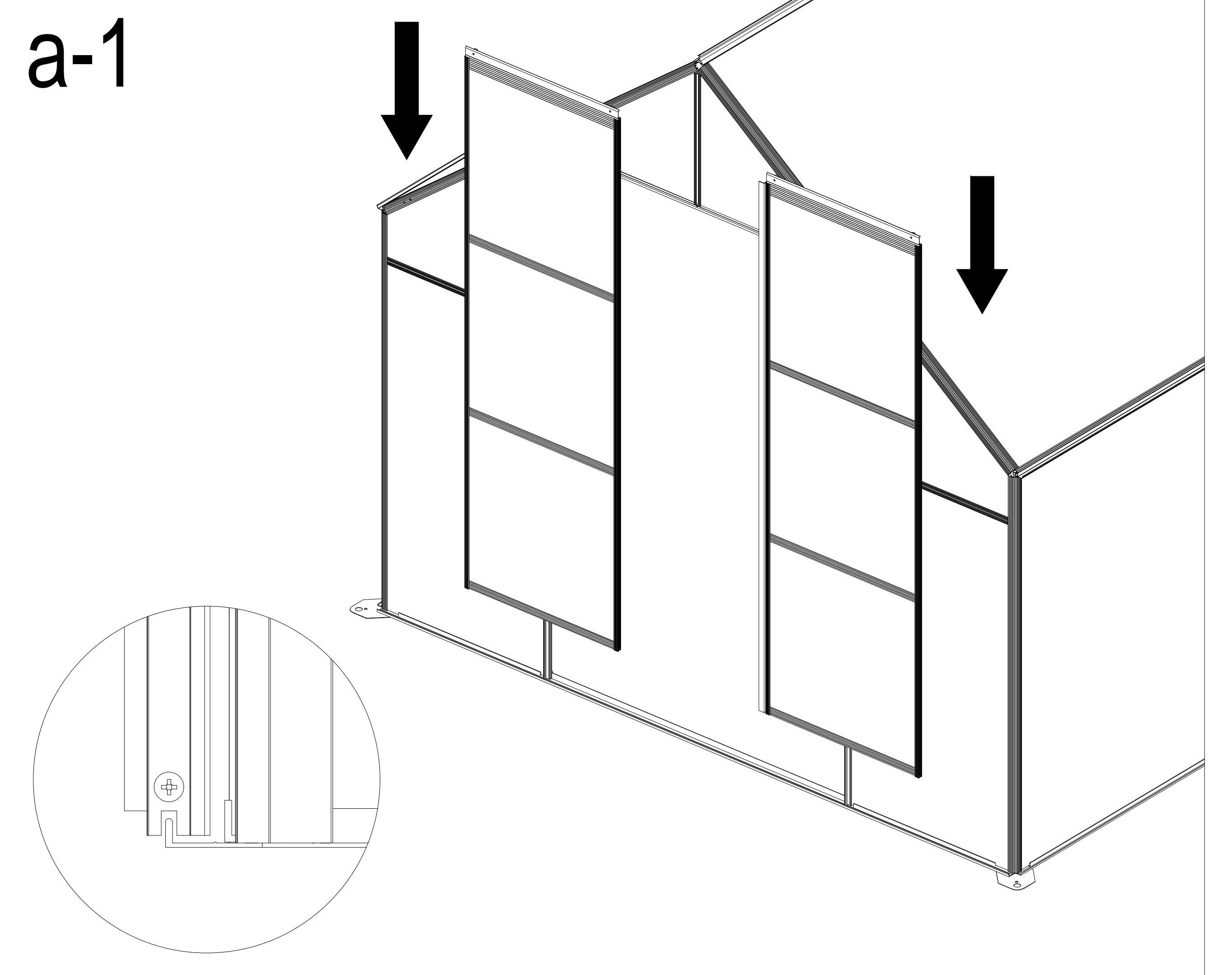


Left

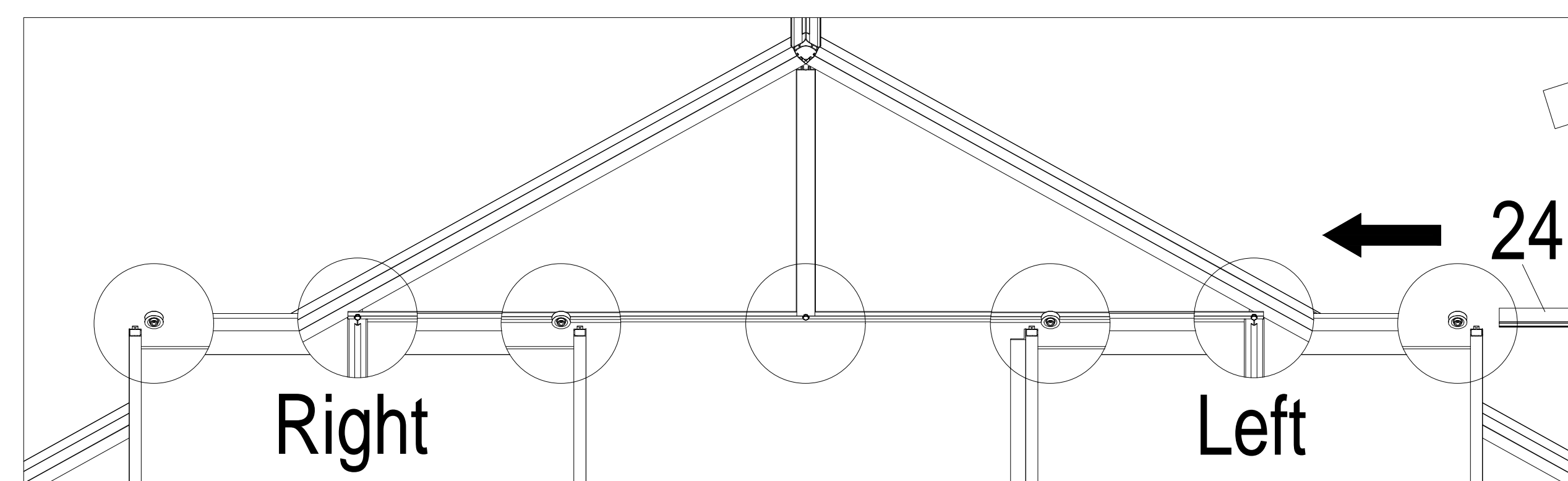
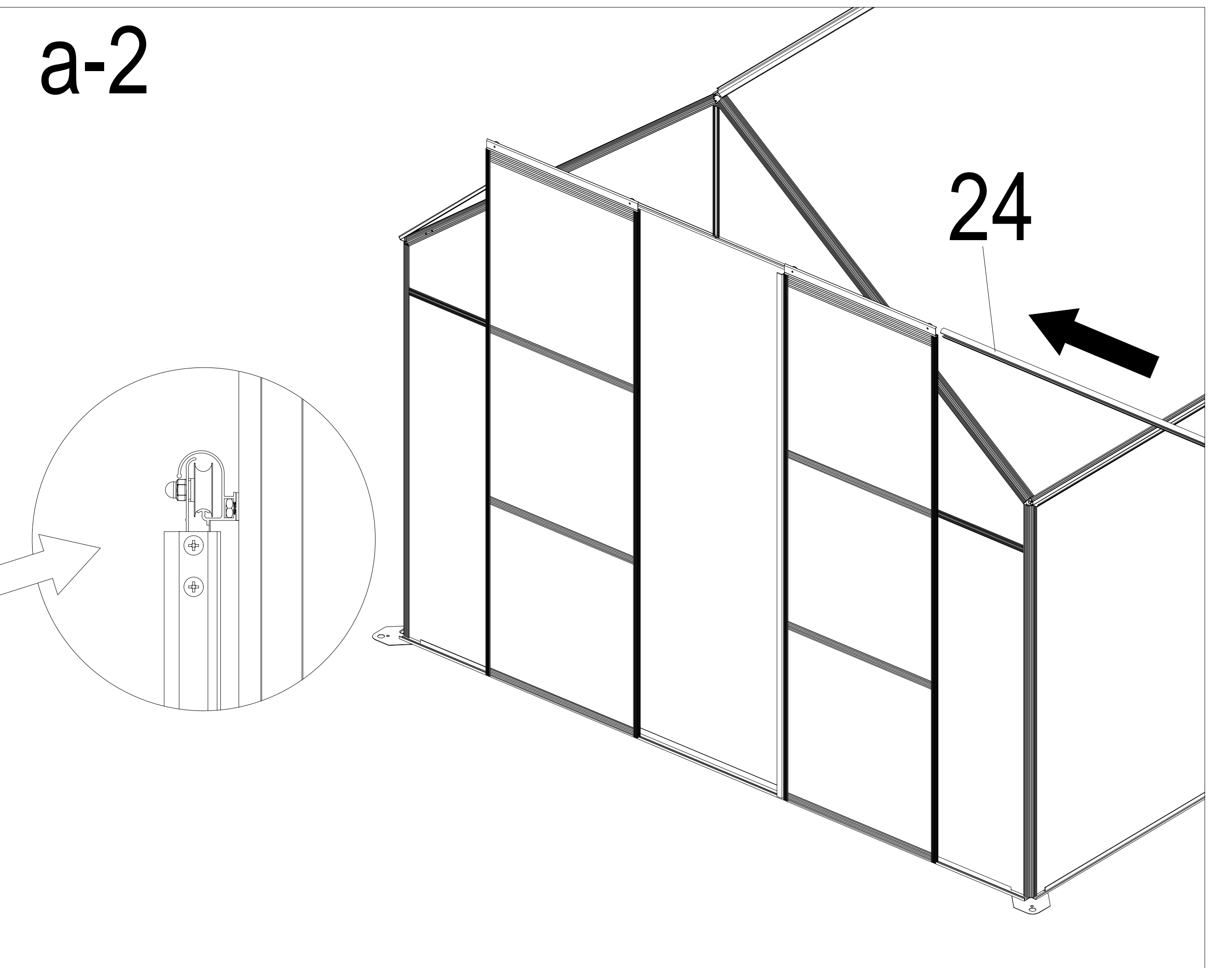


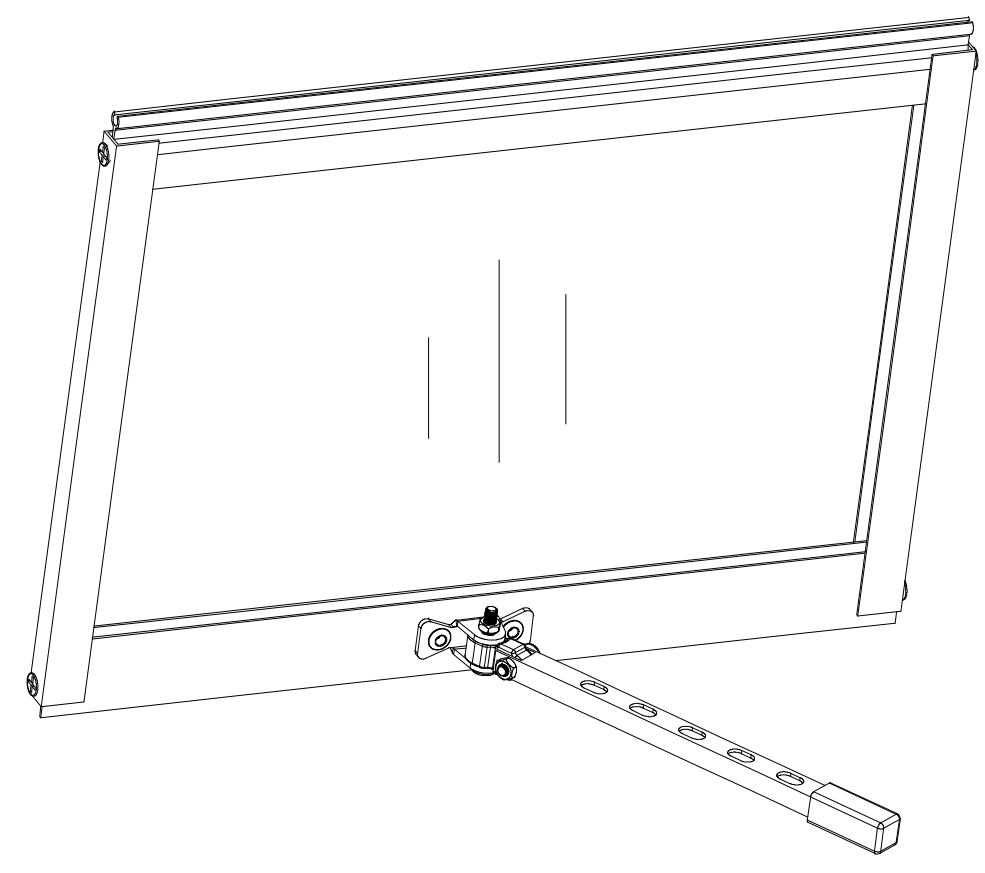
Right

a-1



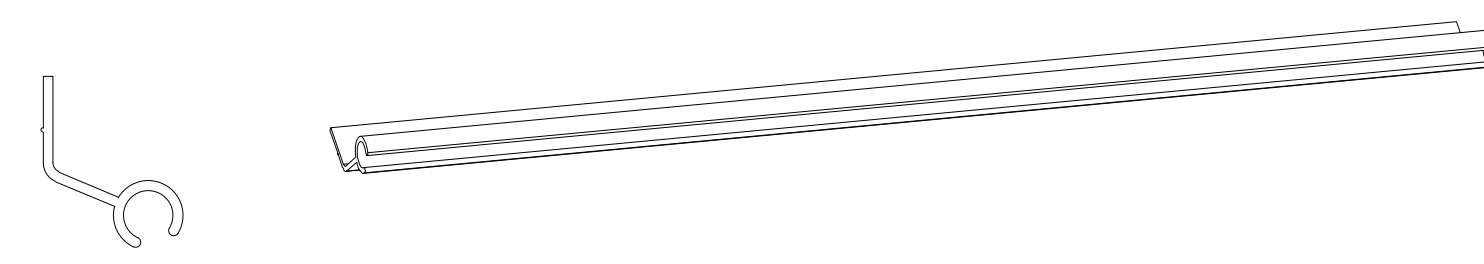
a-2



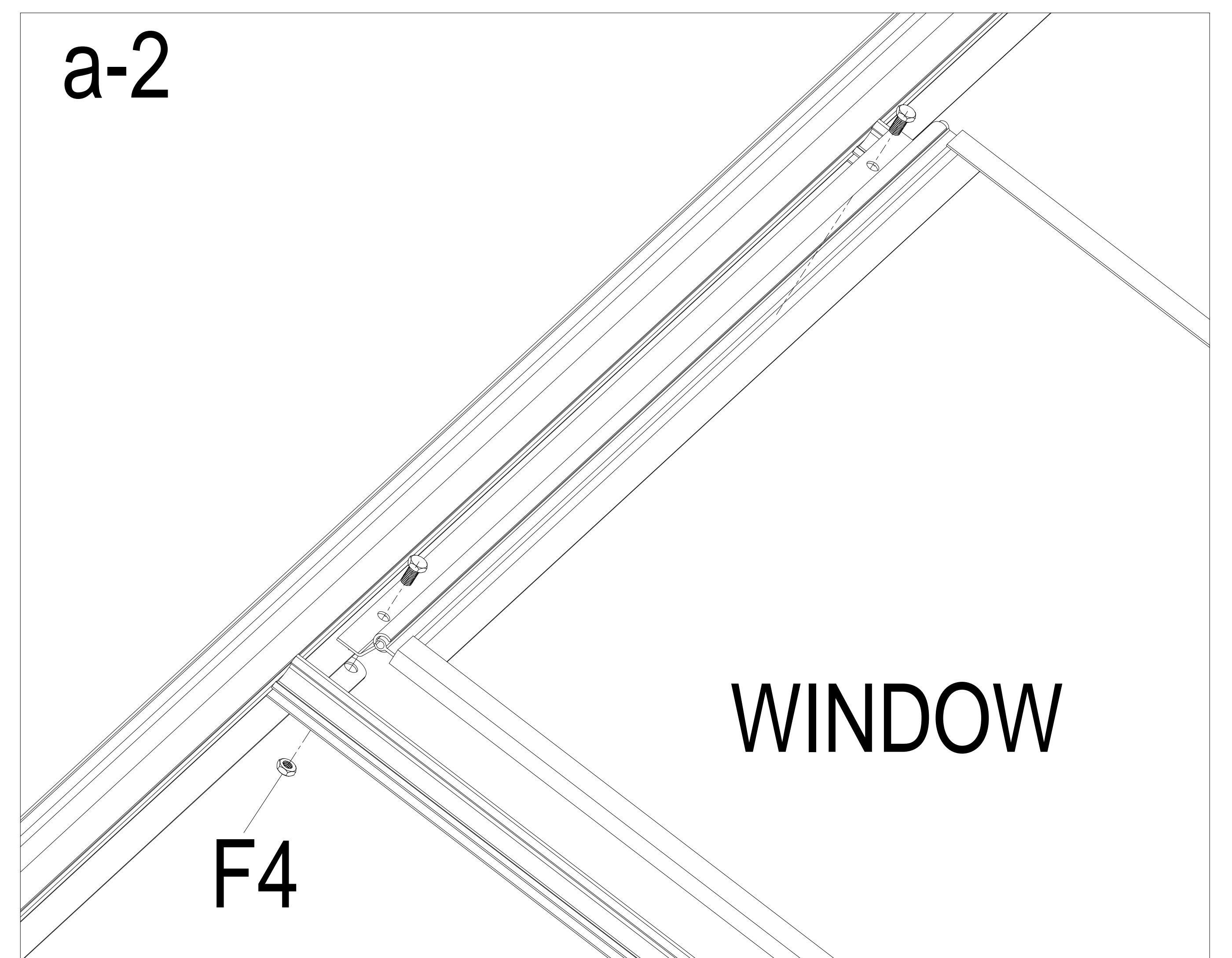
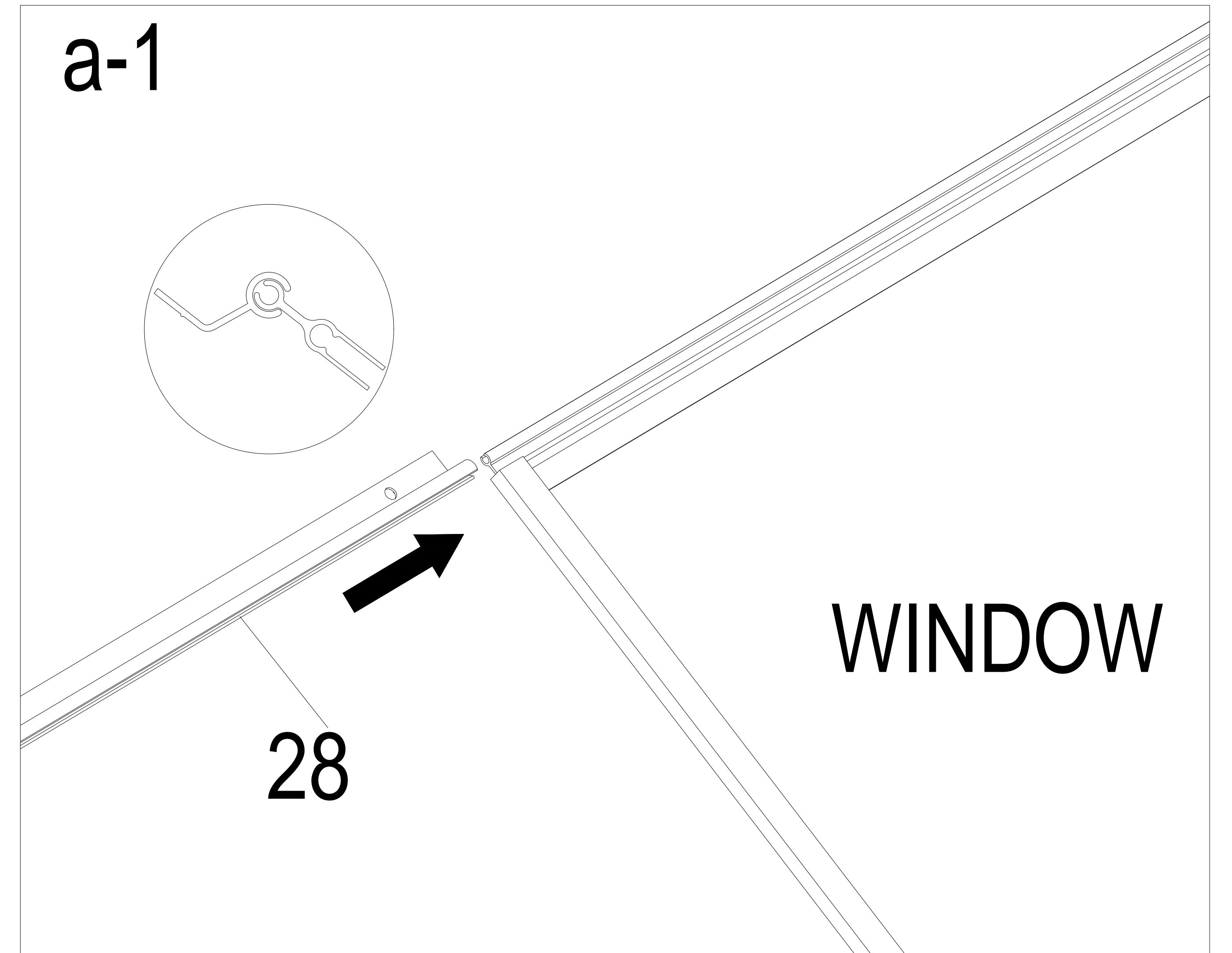
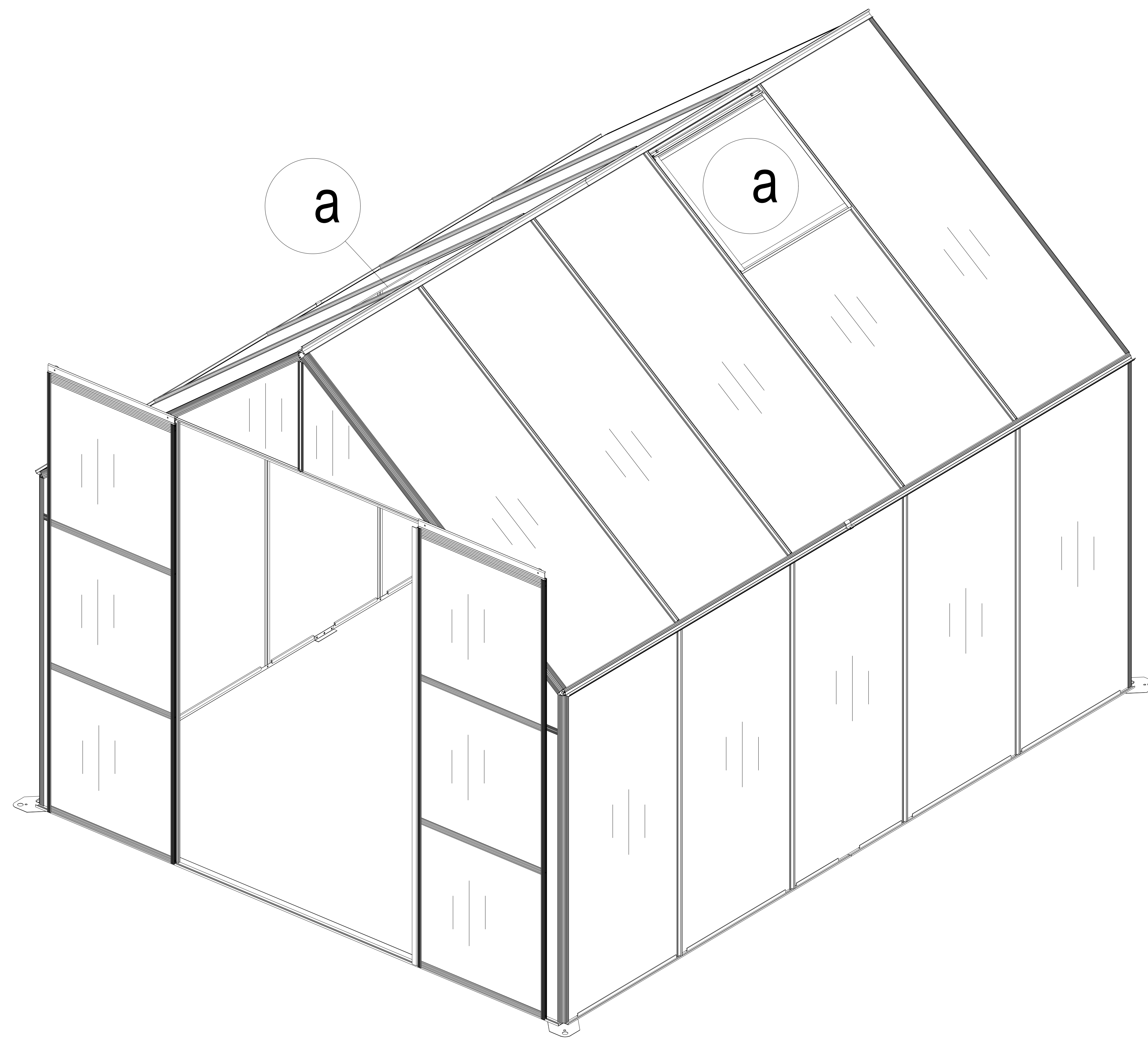
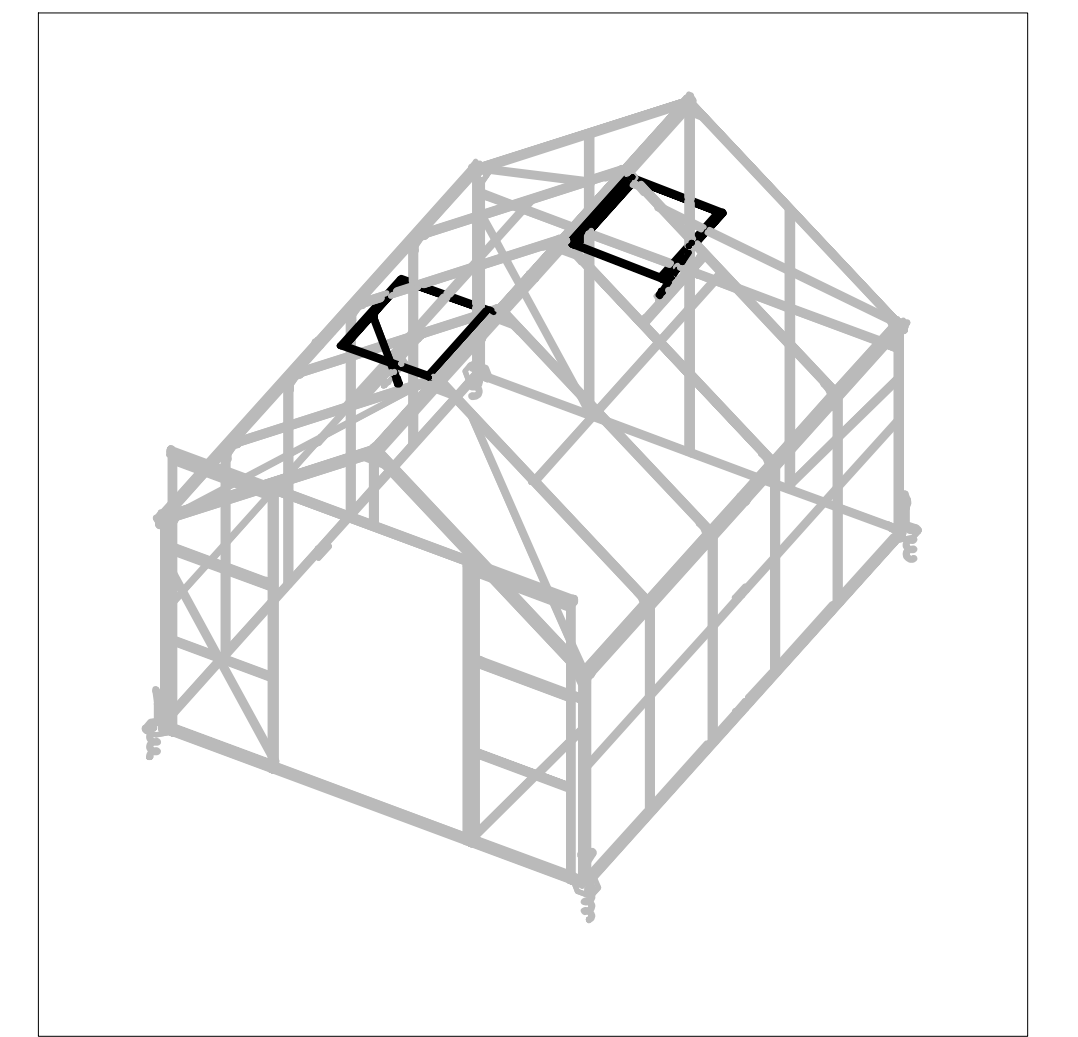


WINDOW x2

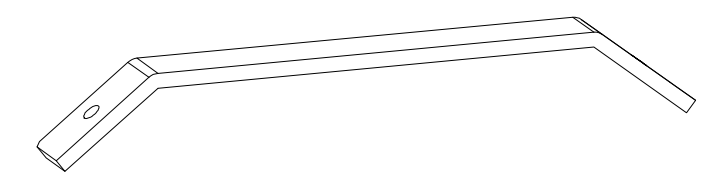
28x2



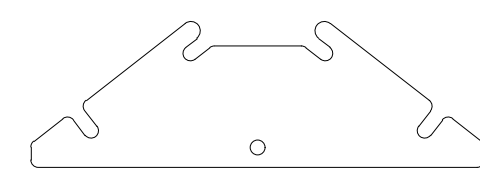
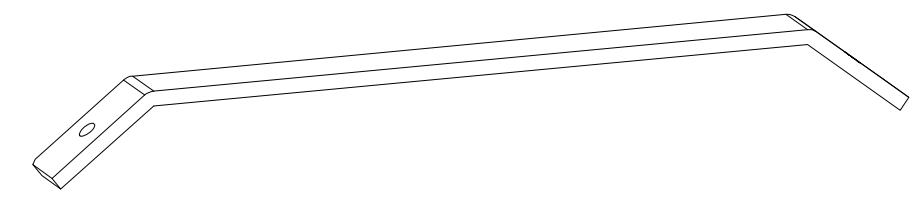
(M5x10)
F4x4



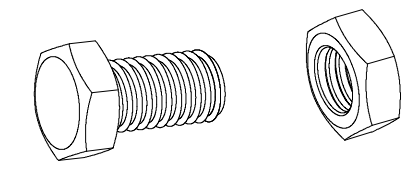
T1x8



T2x4

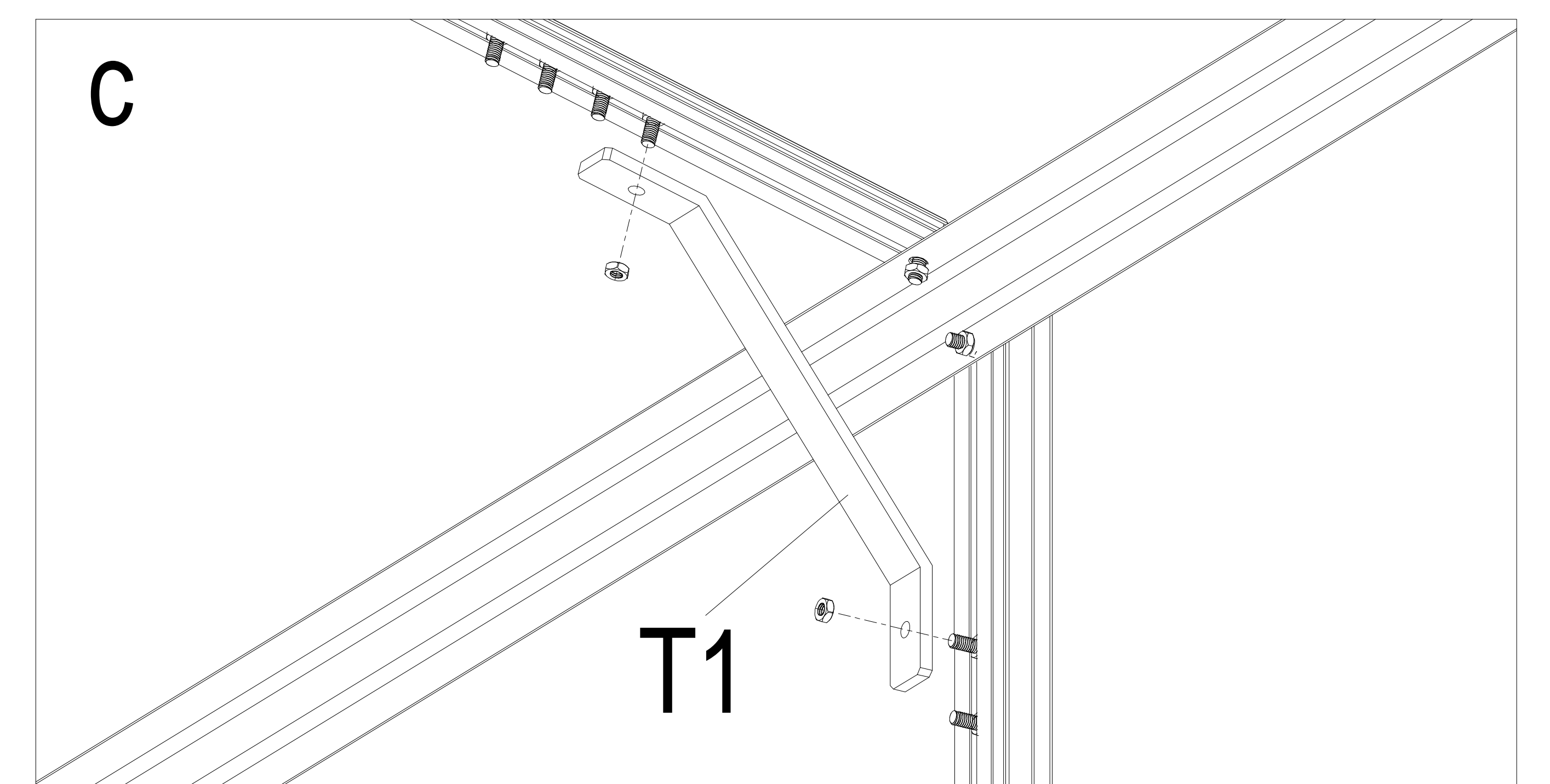
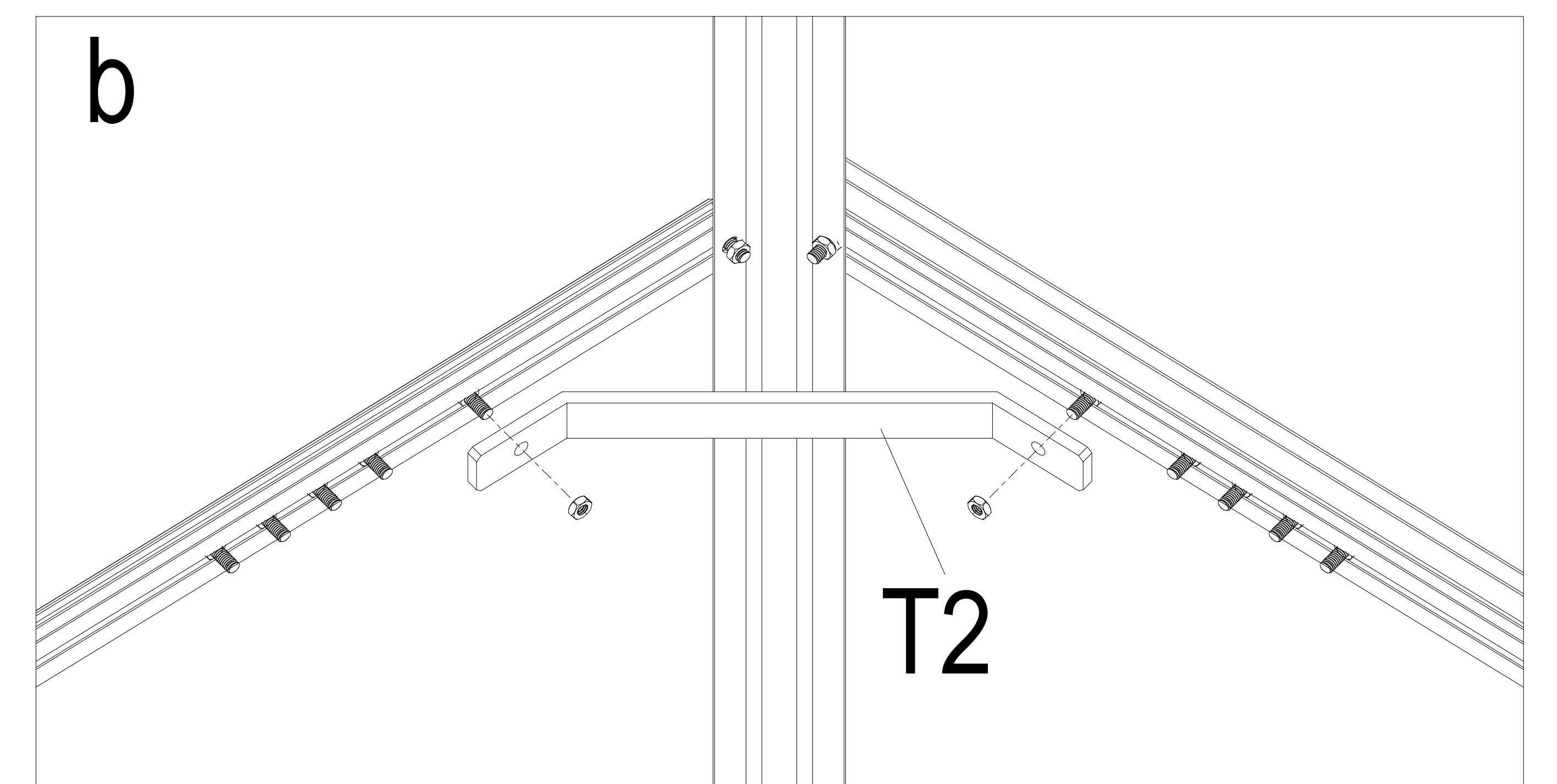
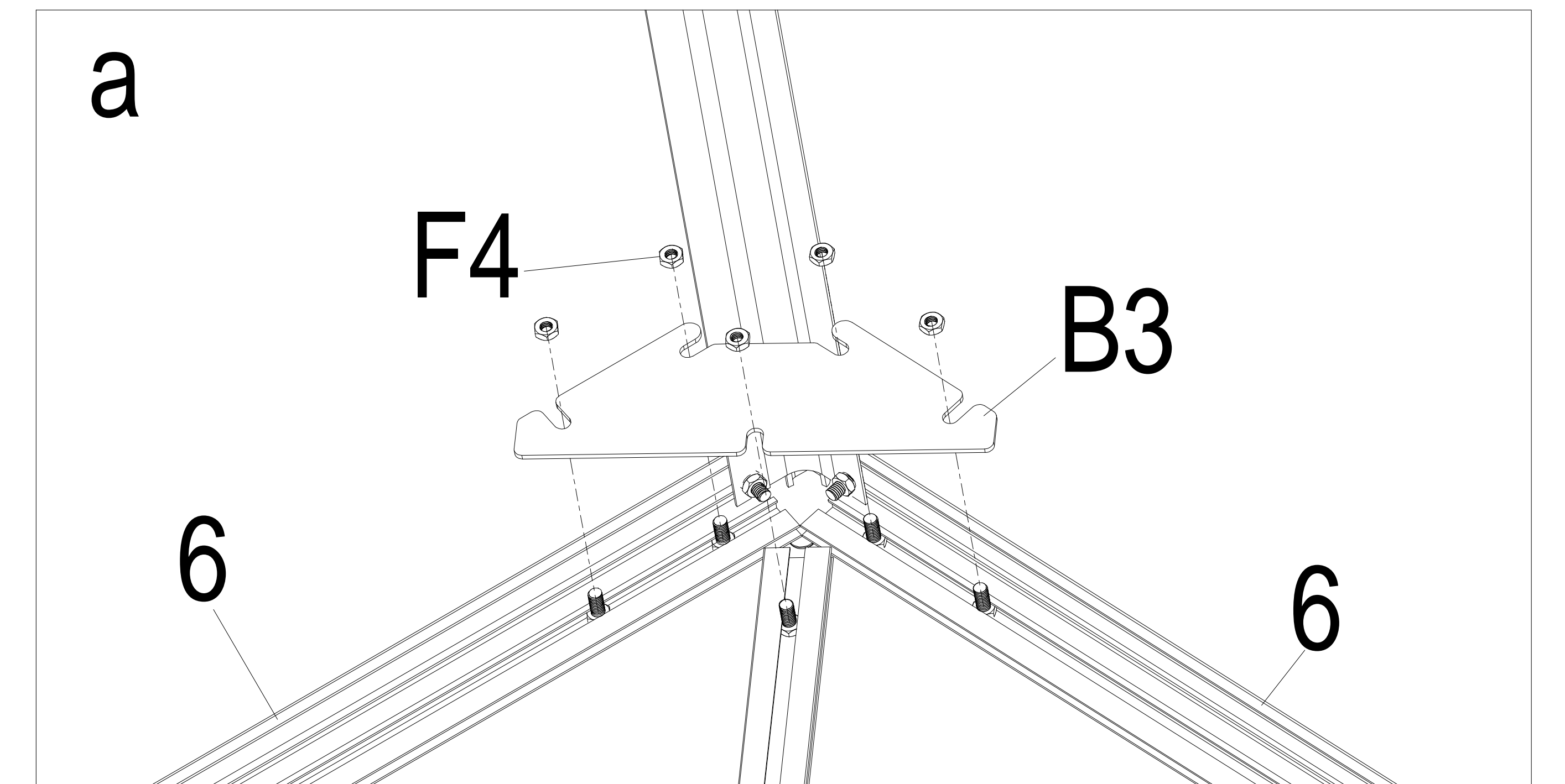
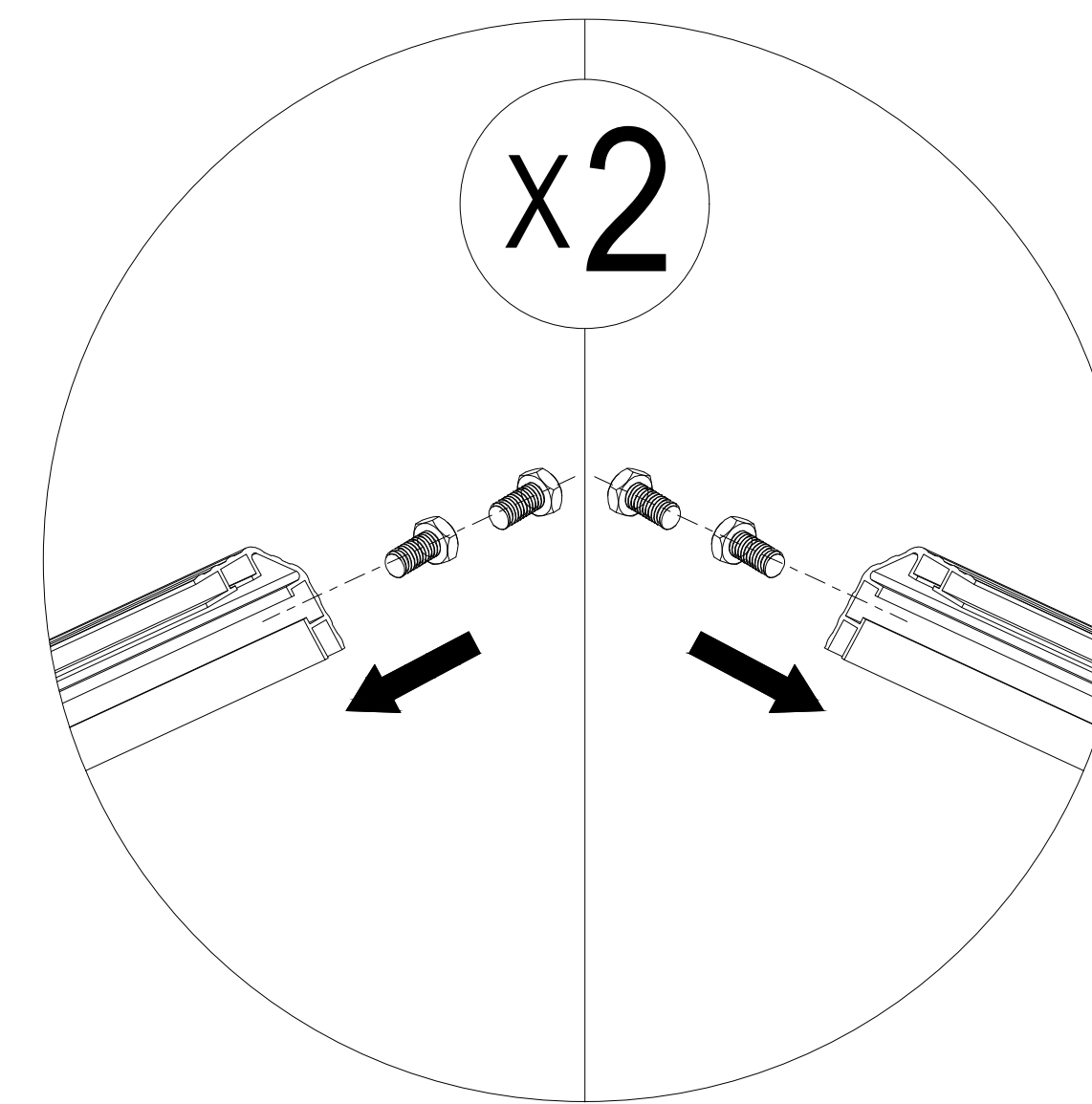
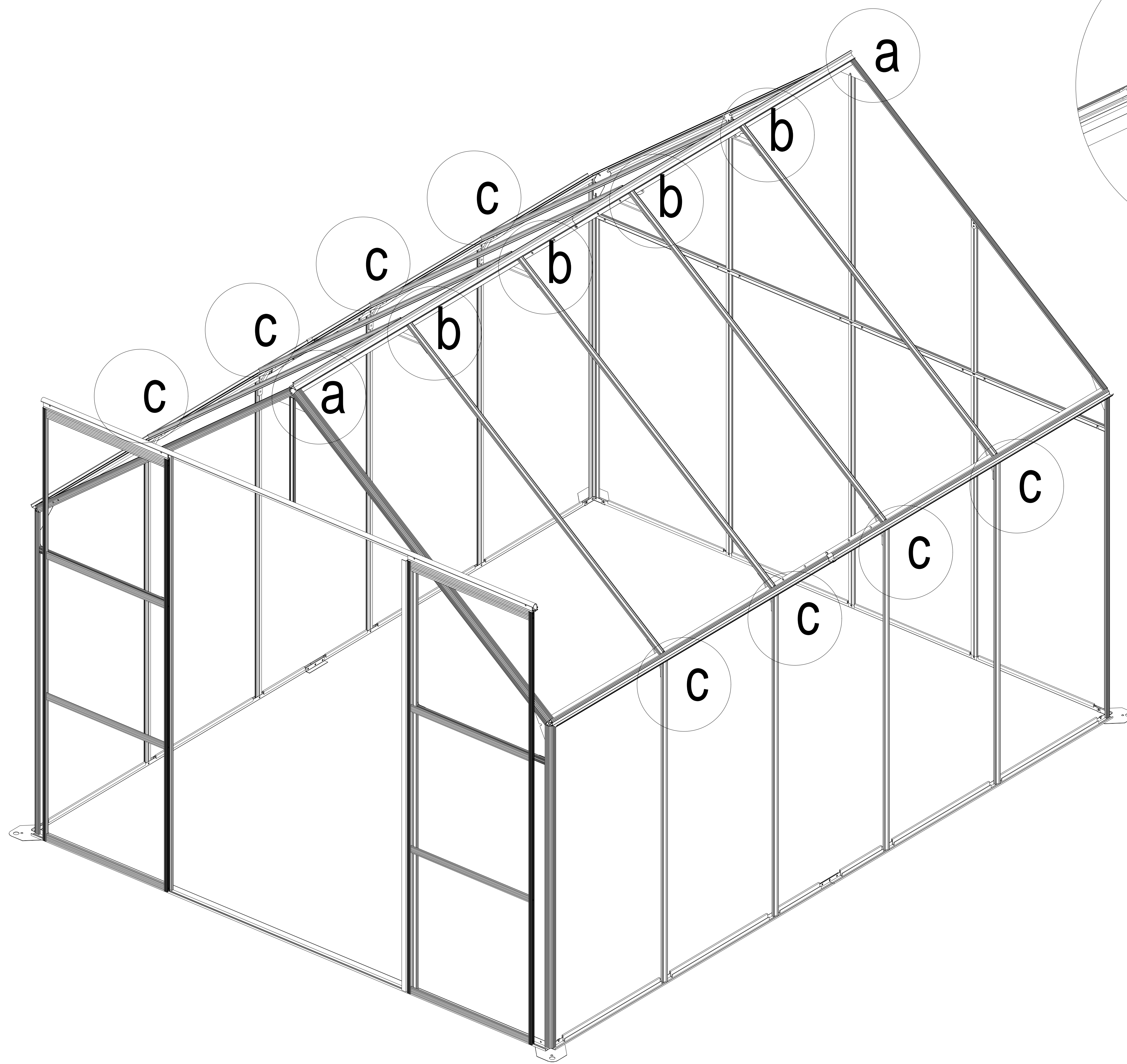
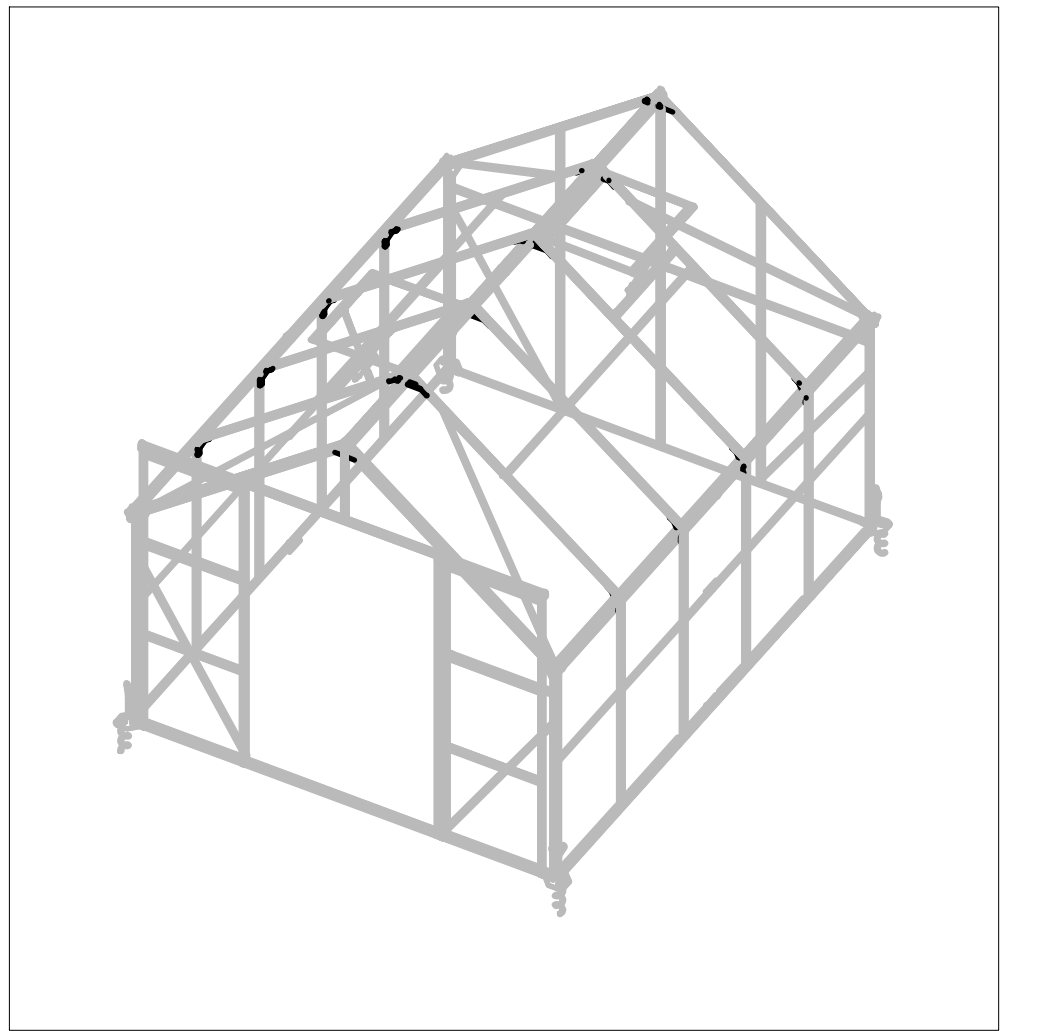


B3x2

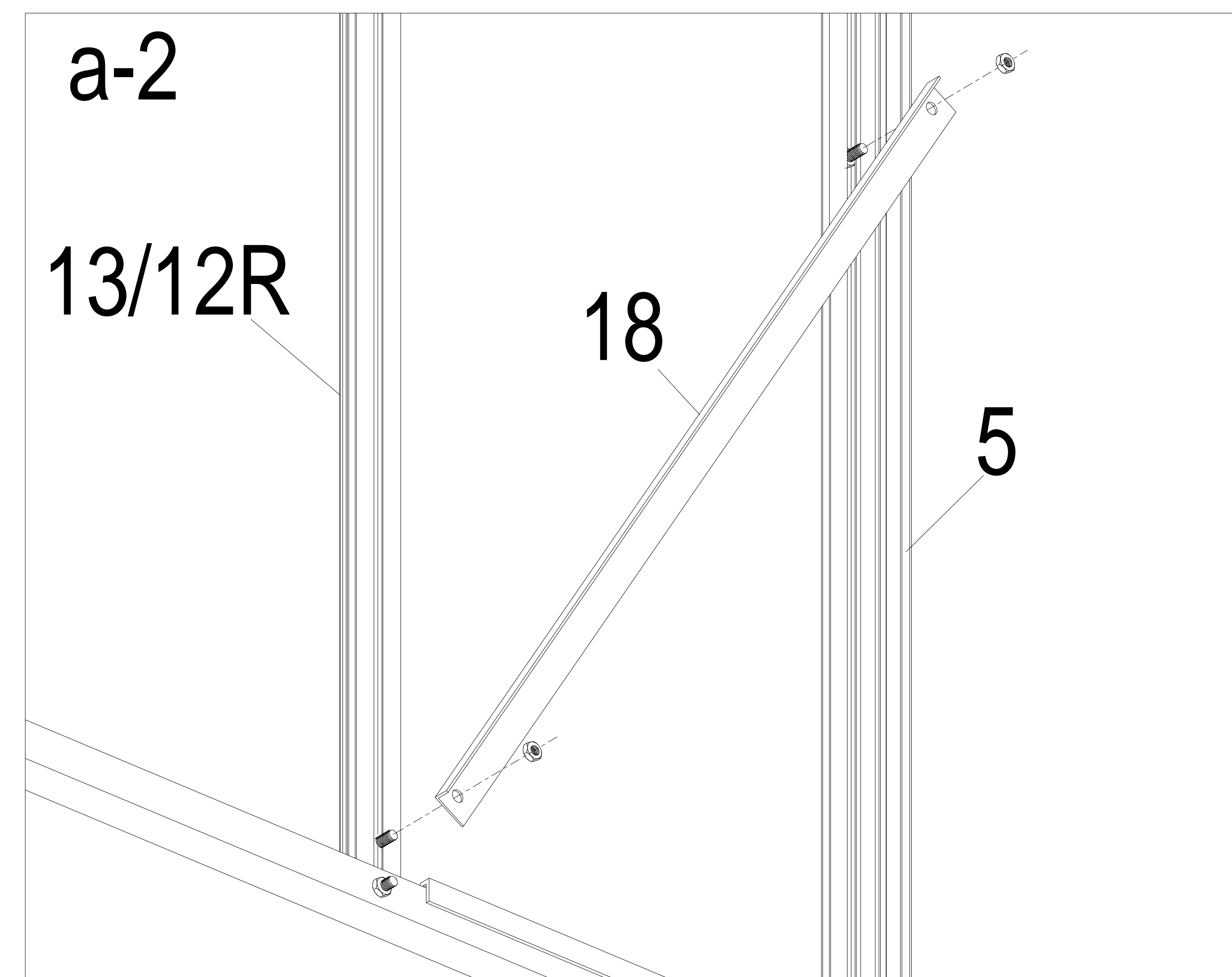
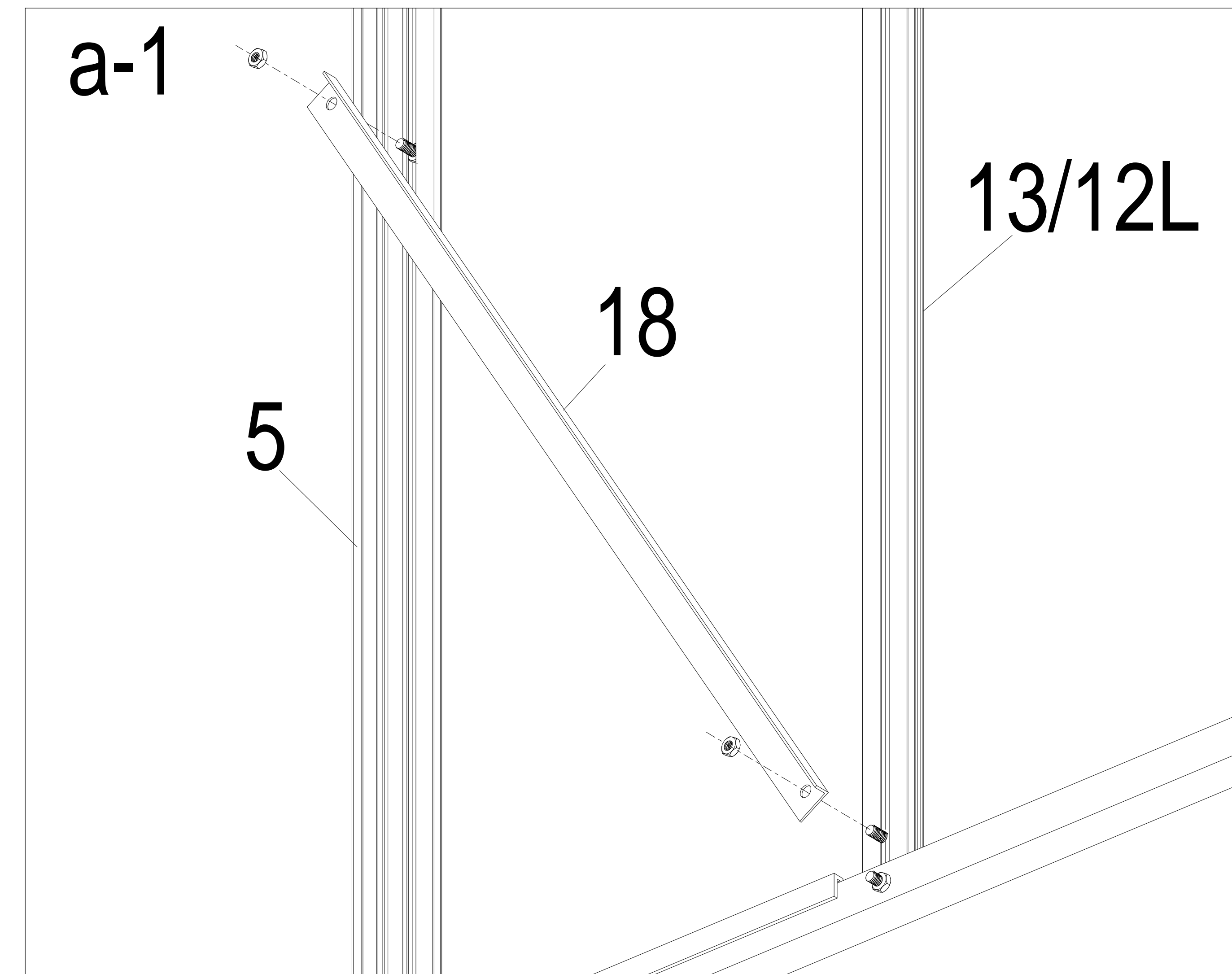
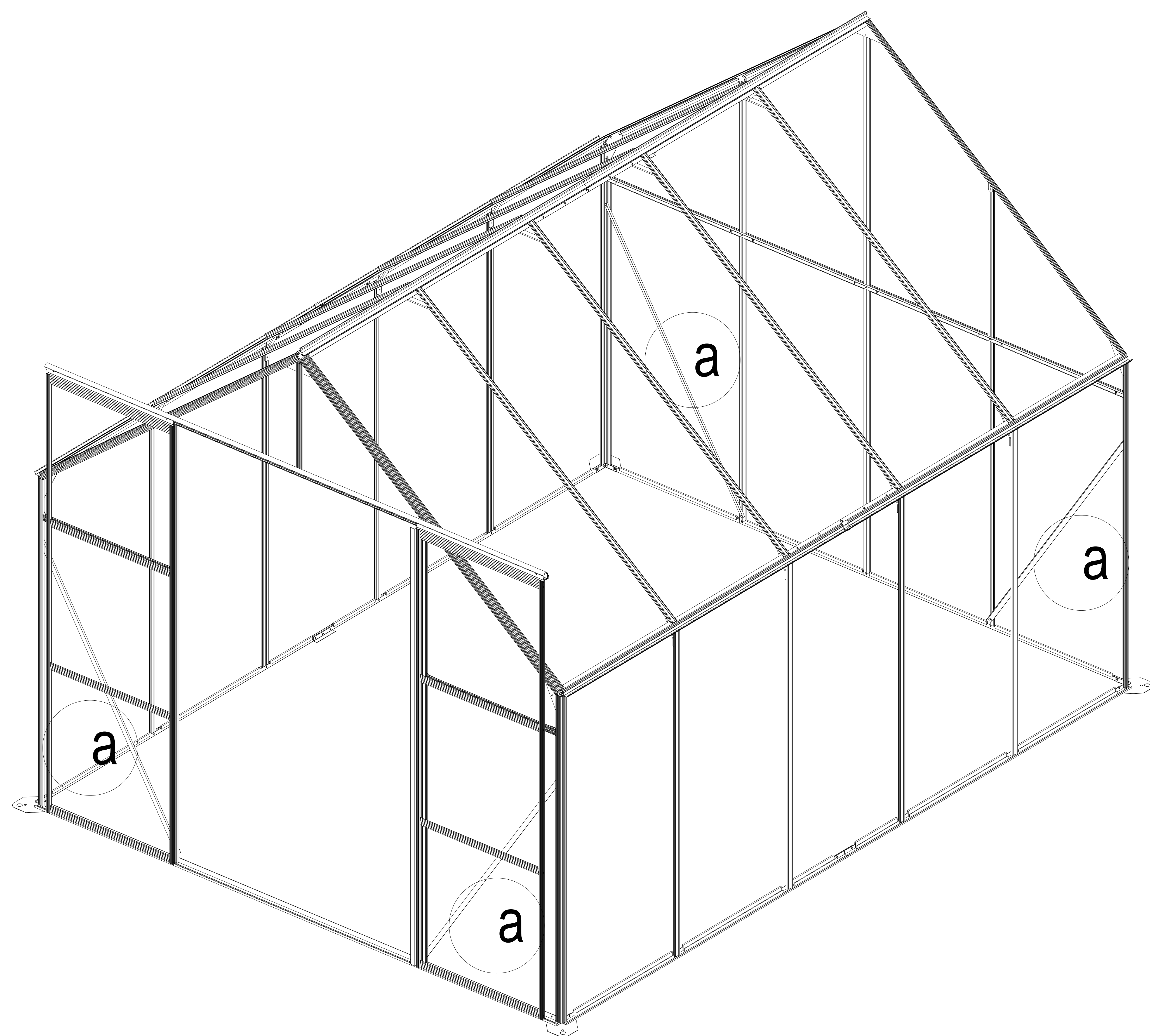
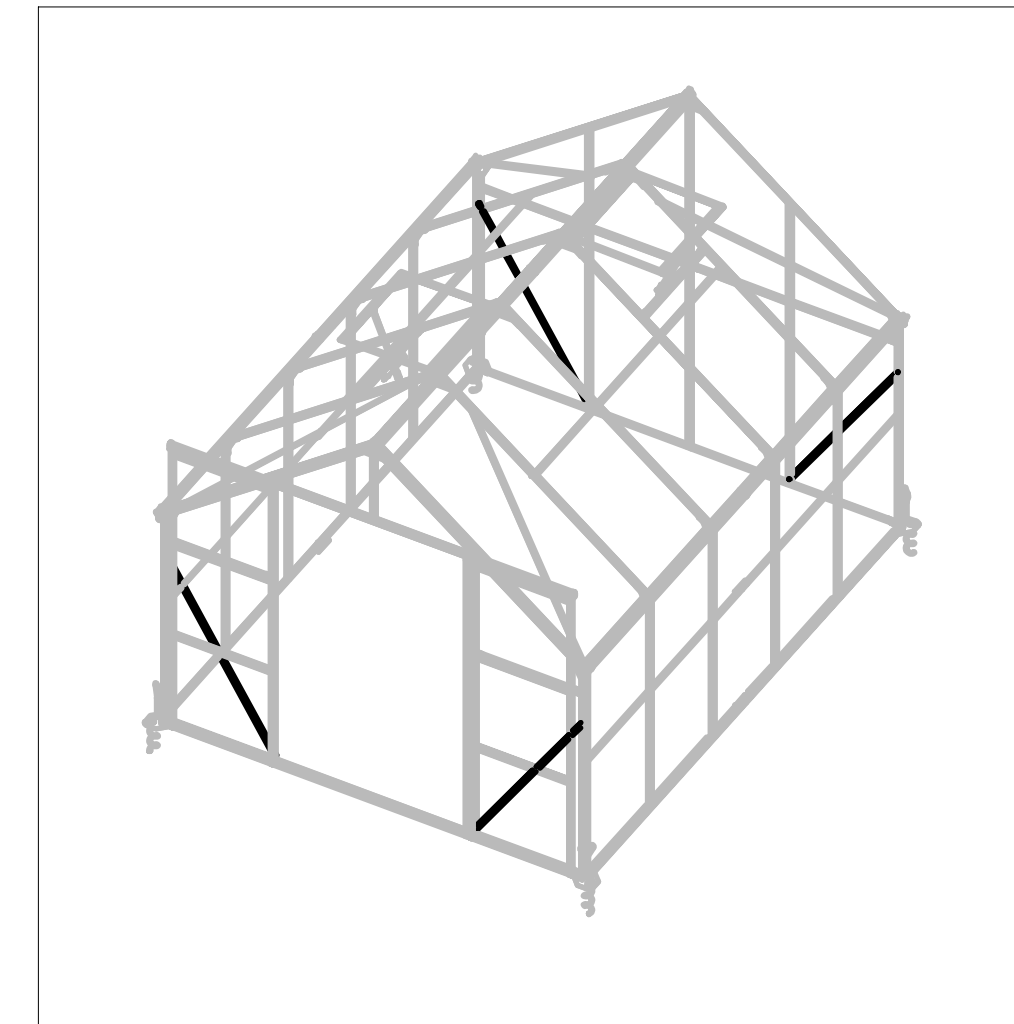
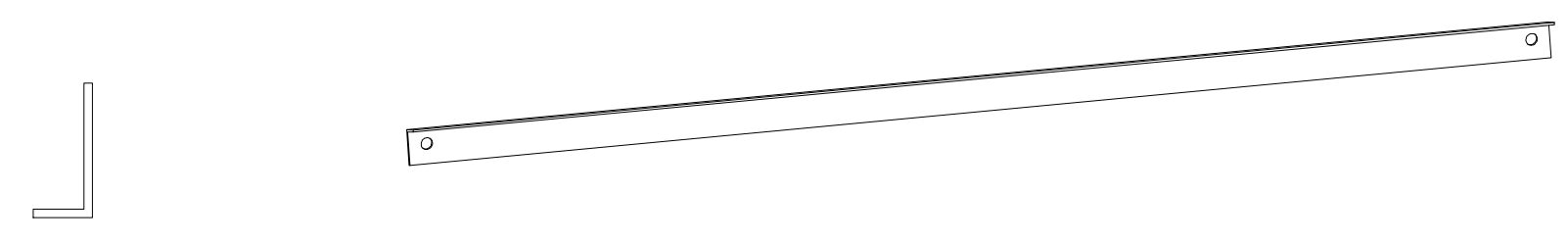


(M5x10)

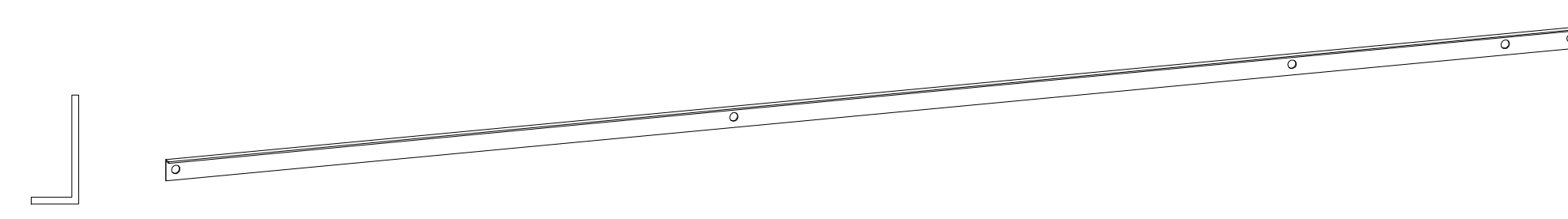
F4x8



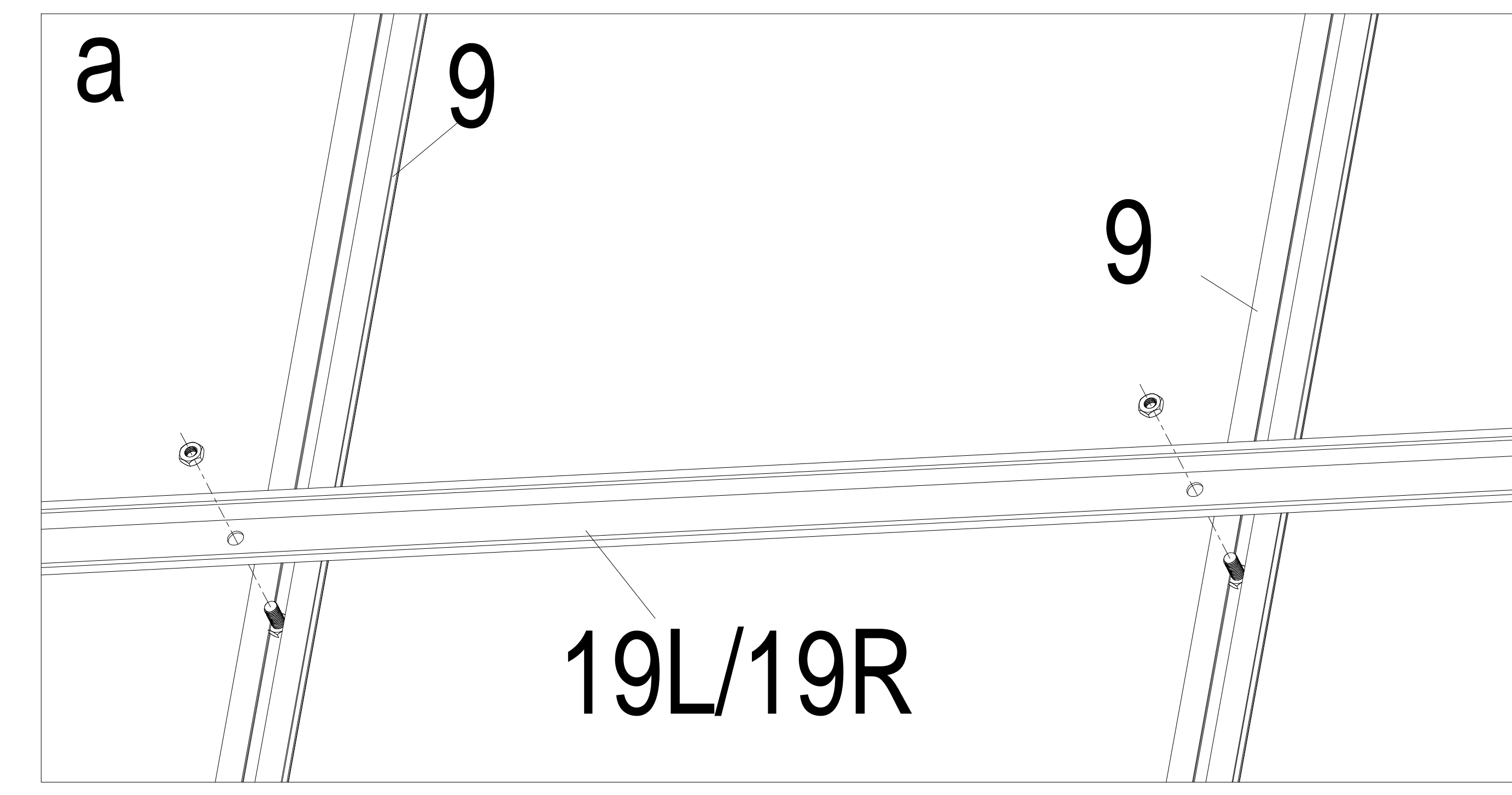
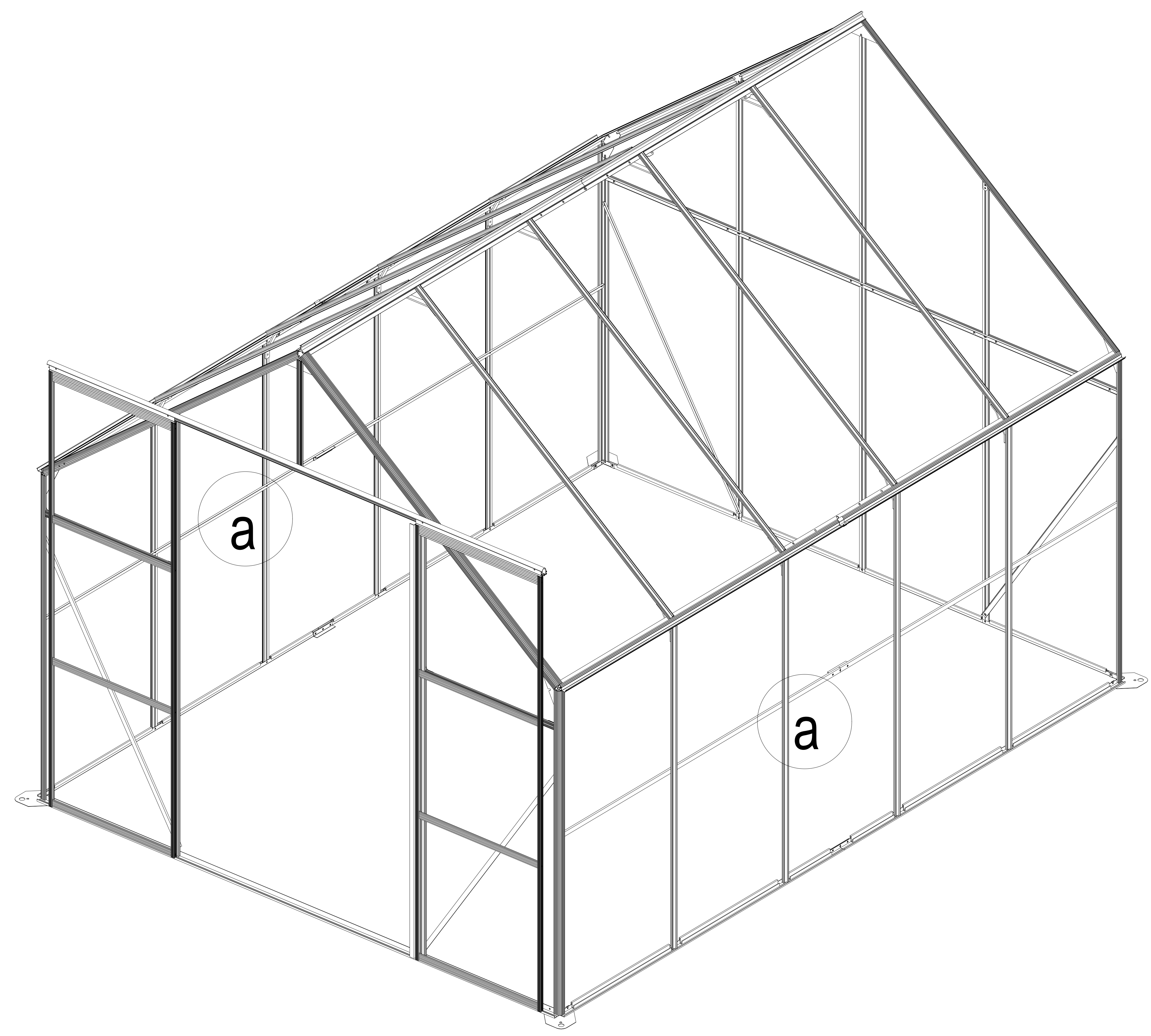
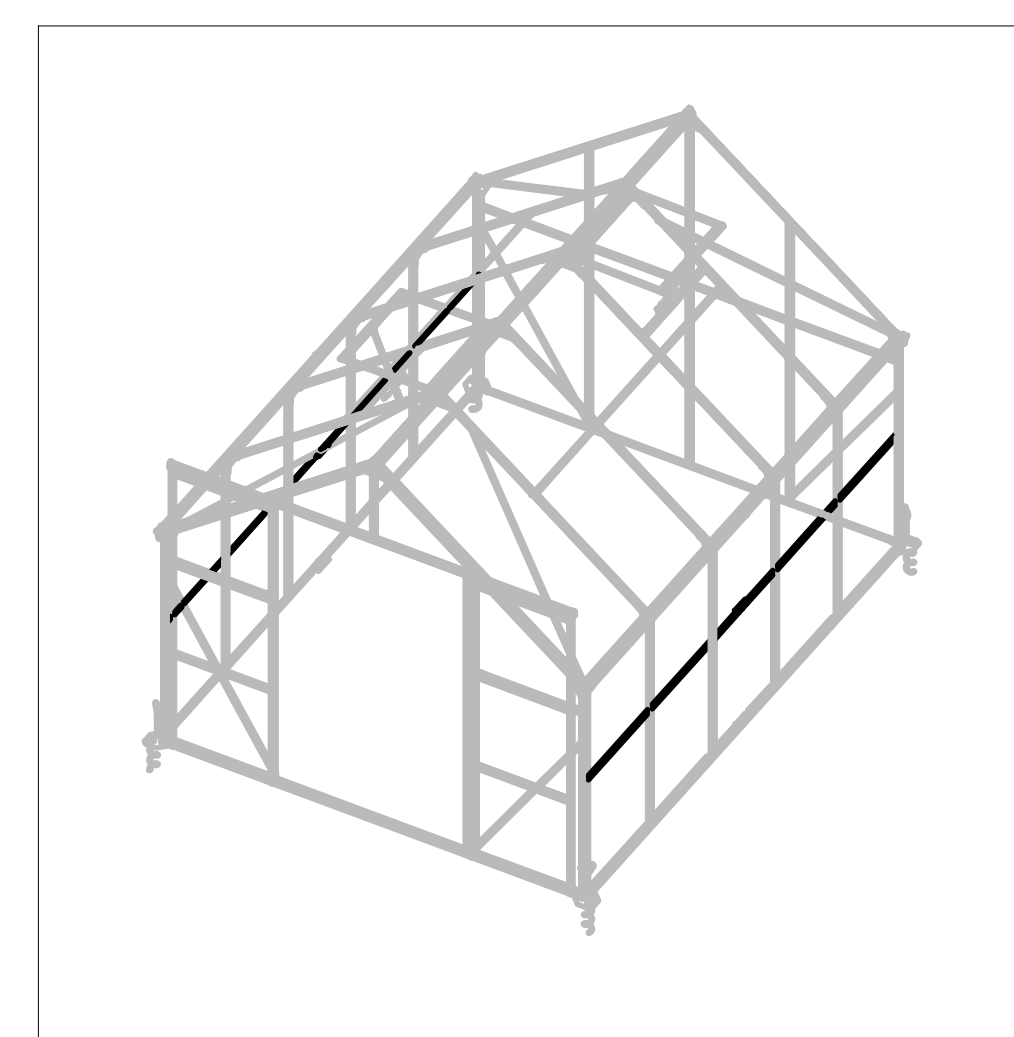
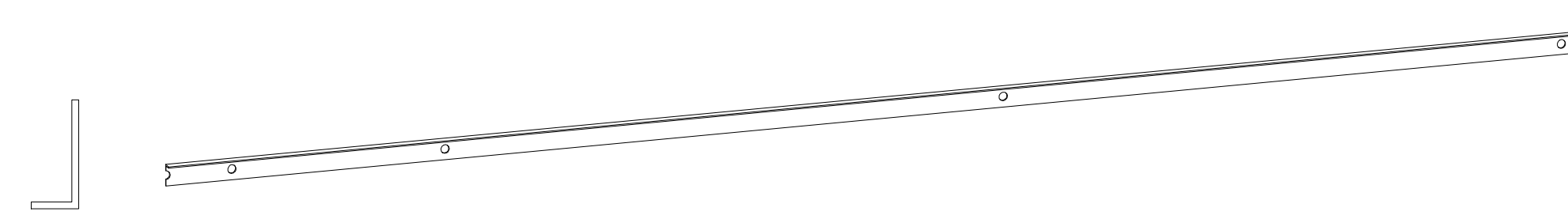
18x4



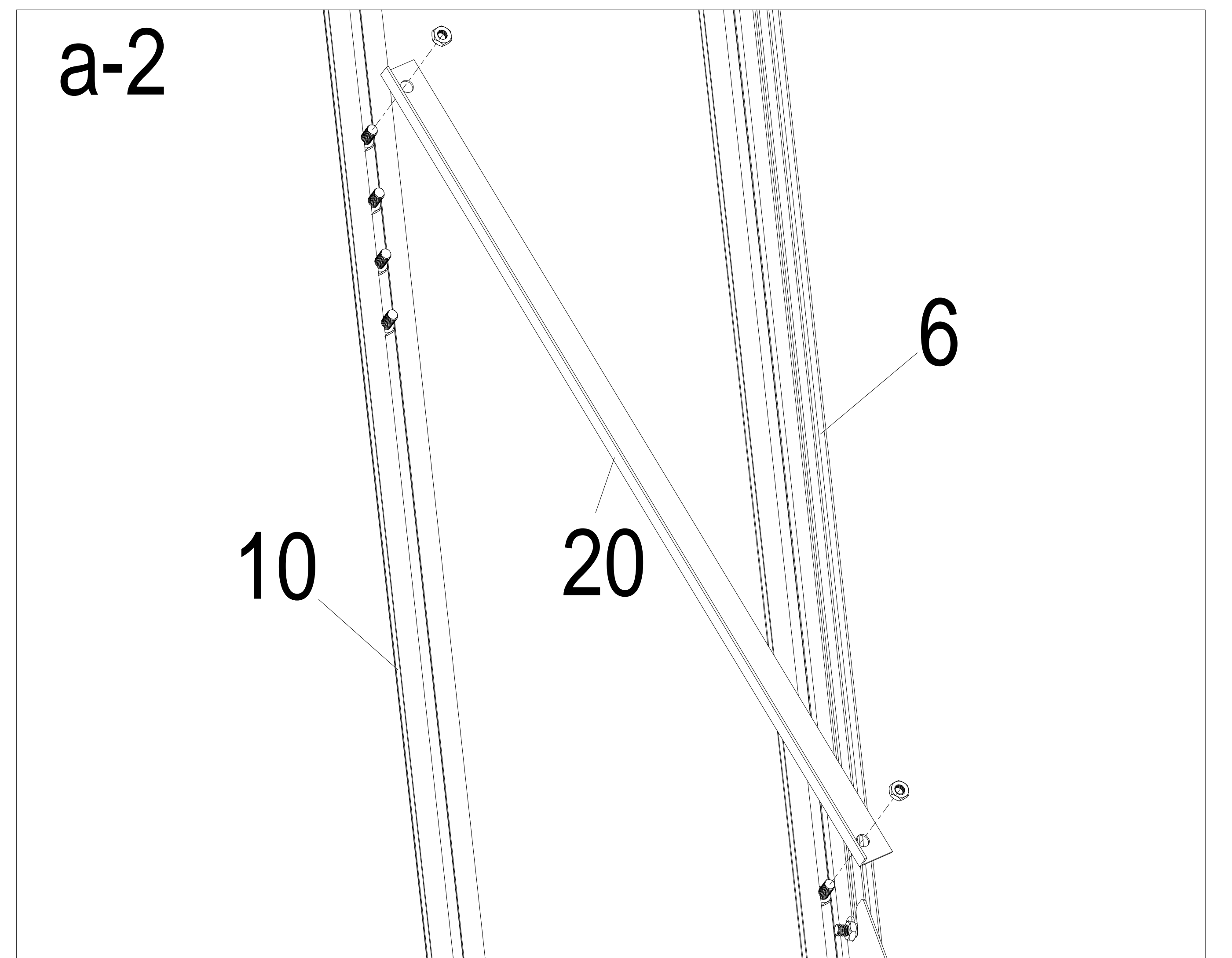
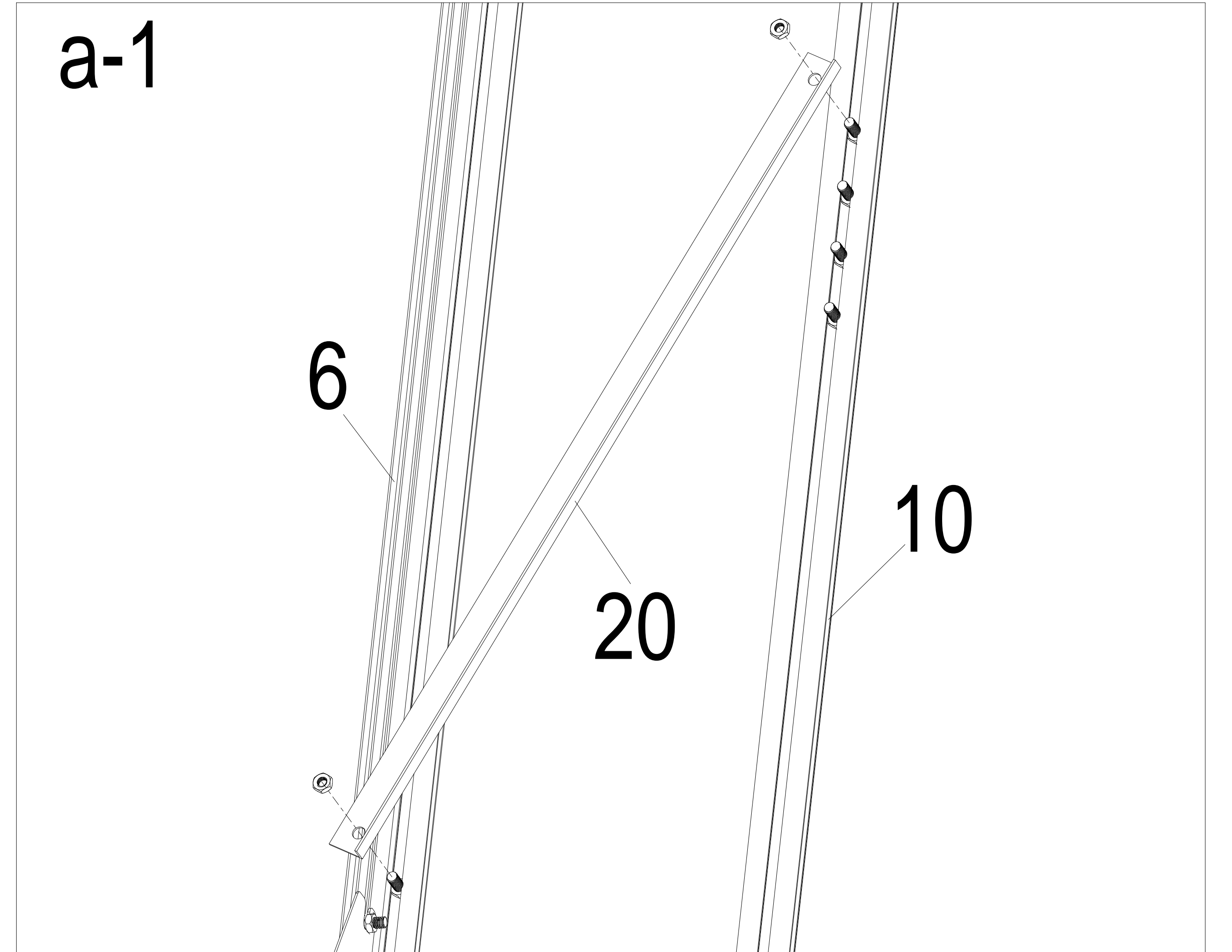
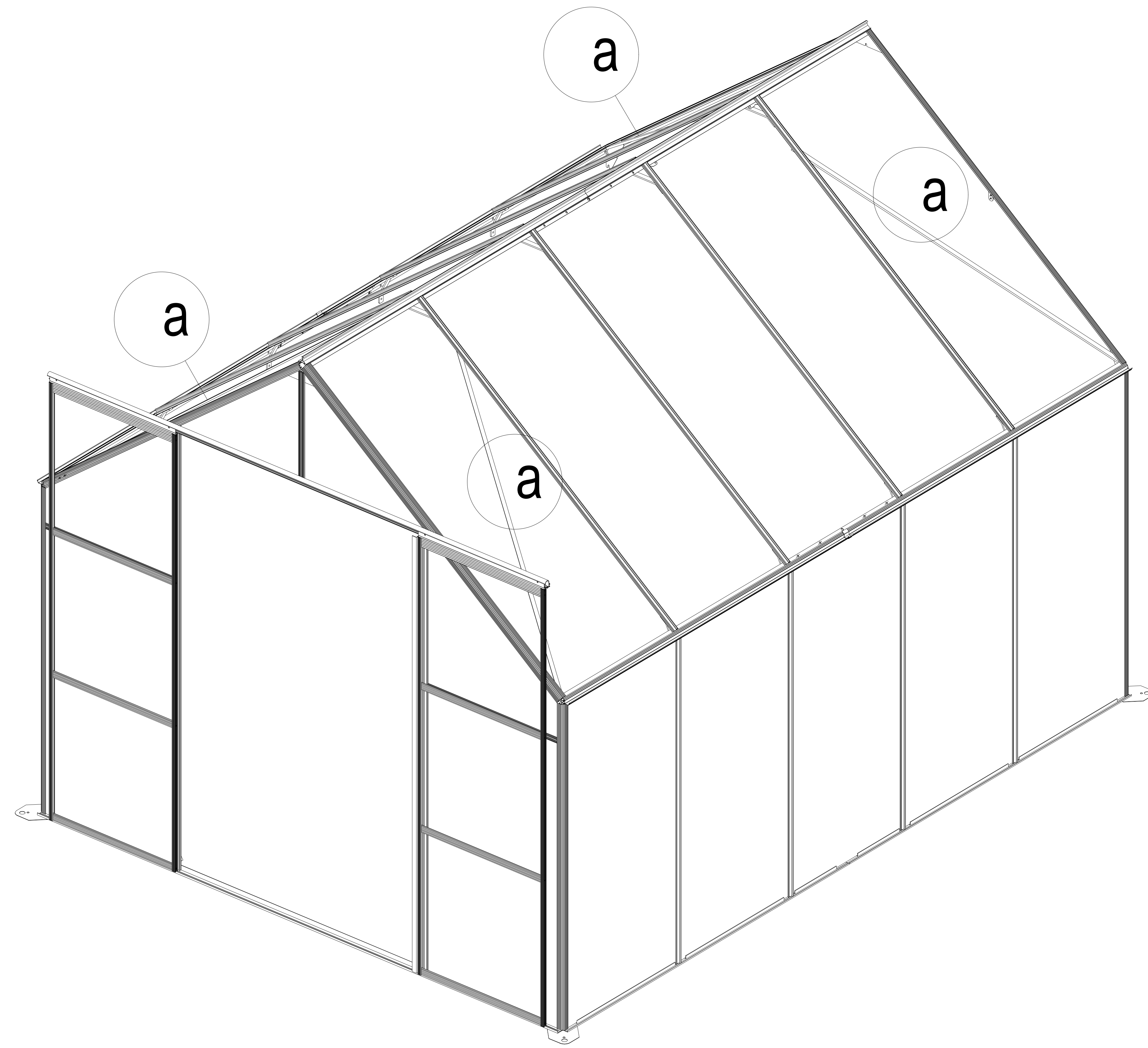
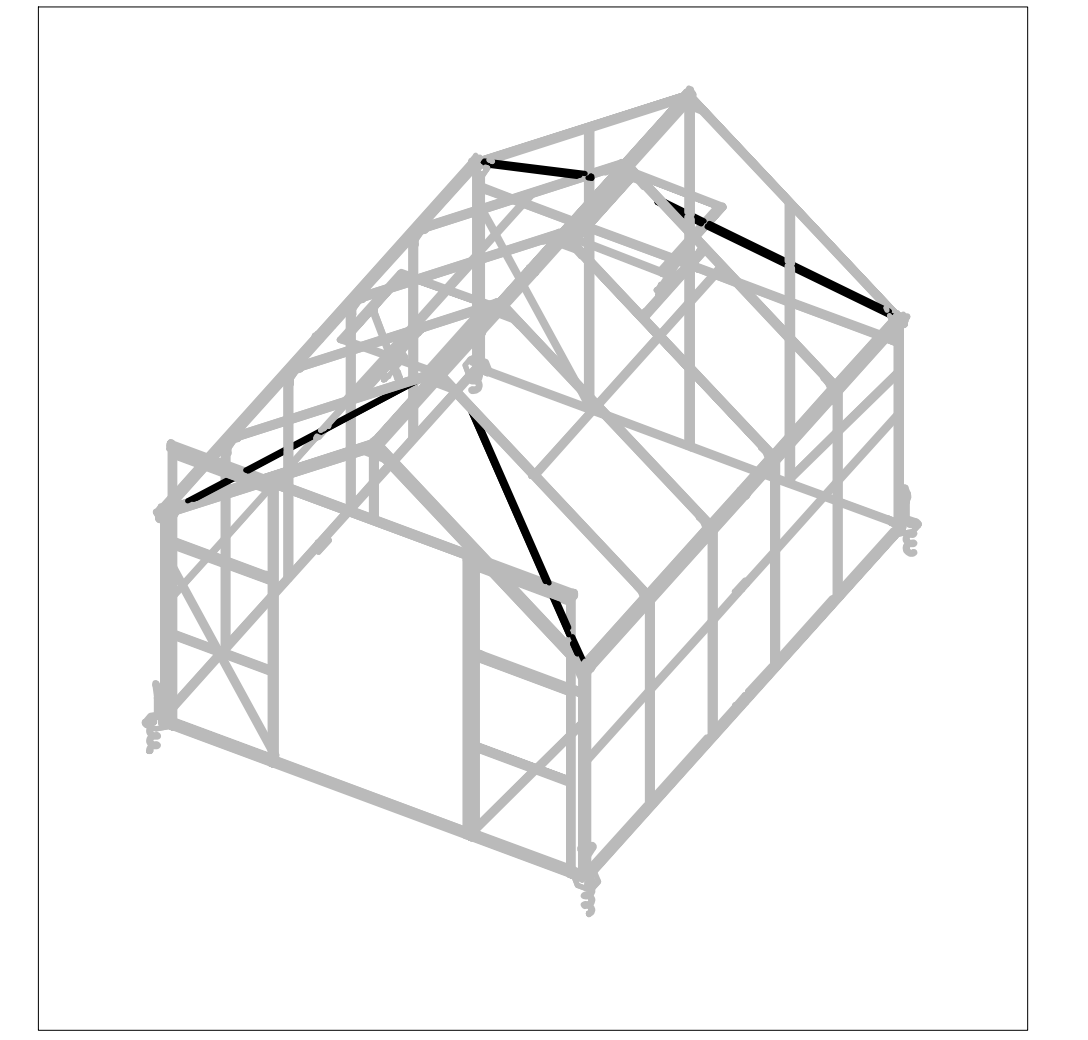
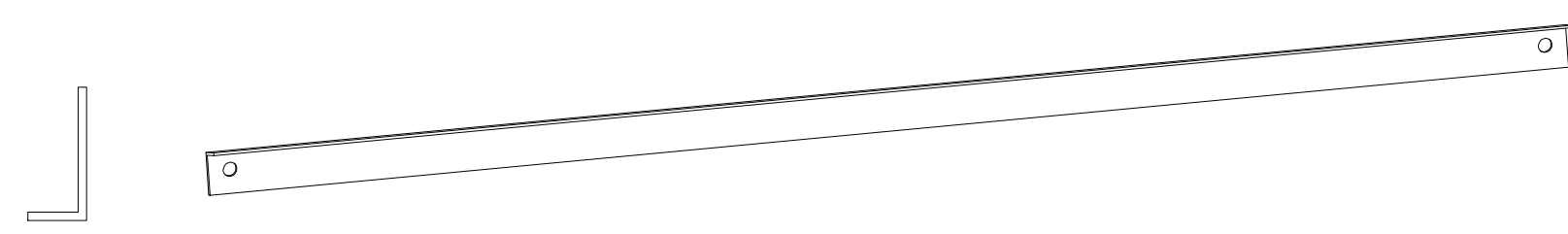
19Lx2



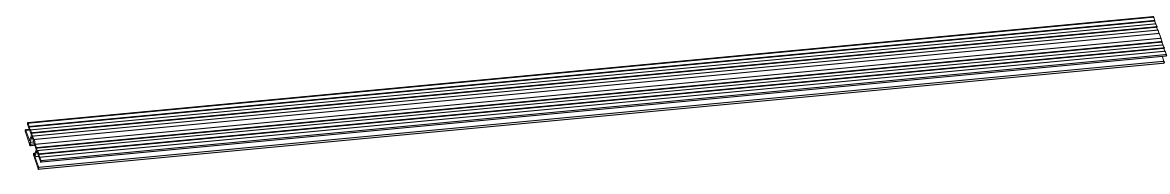
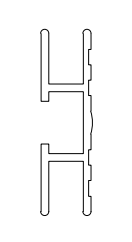
19Rx2



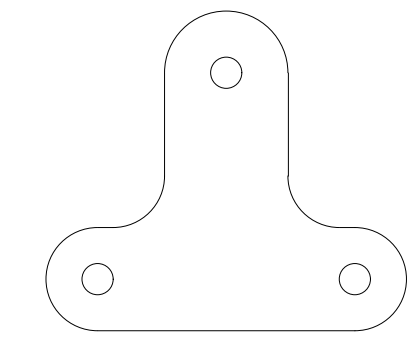
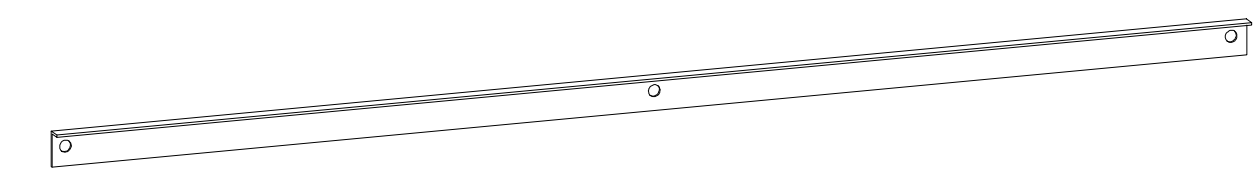
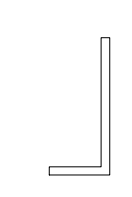
20x4



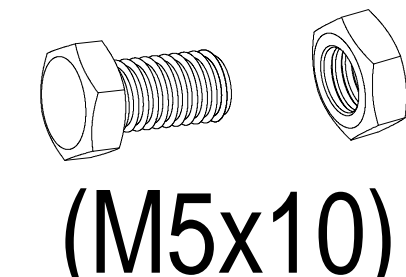
16x2



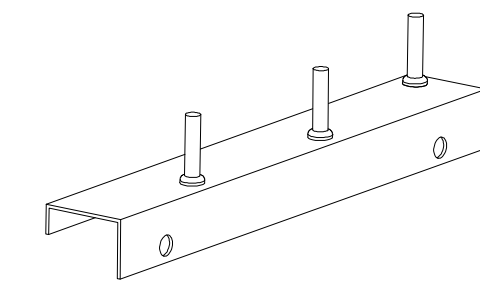
21x2



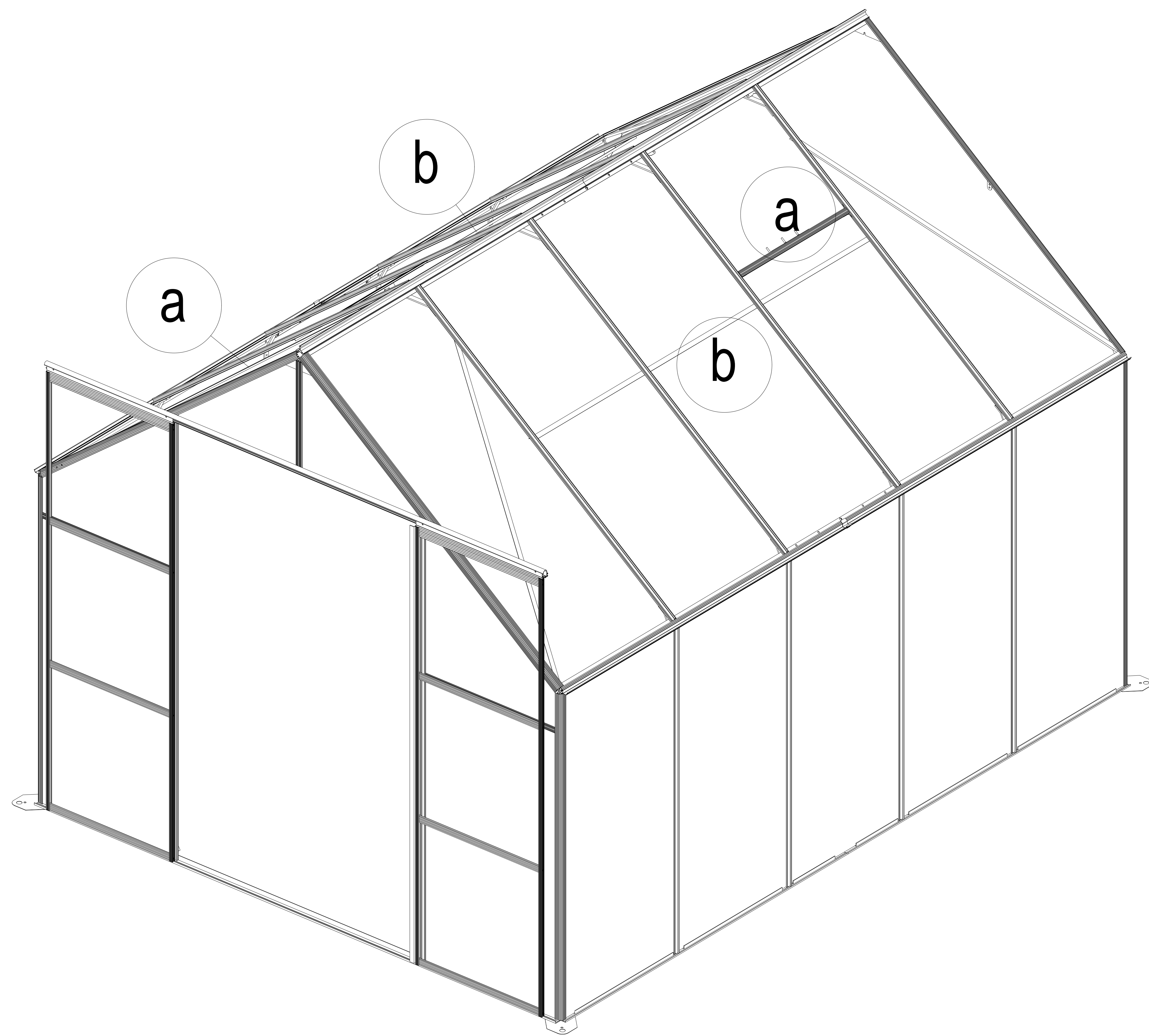
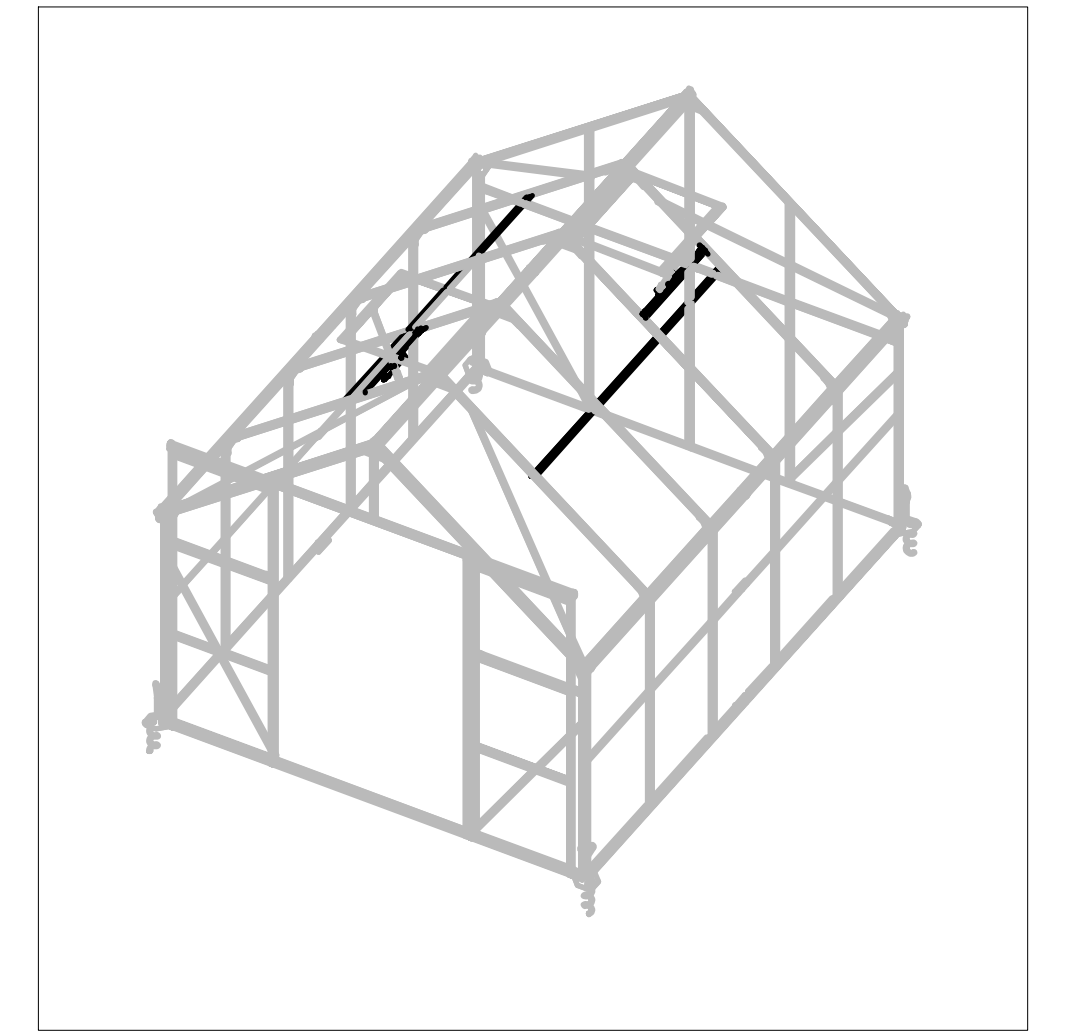
B4x4



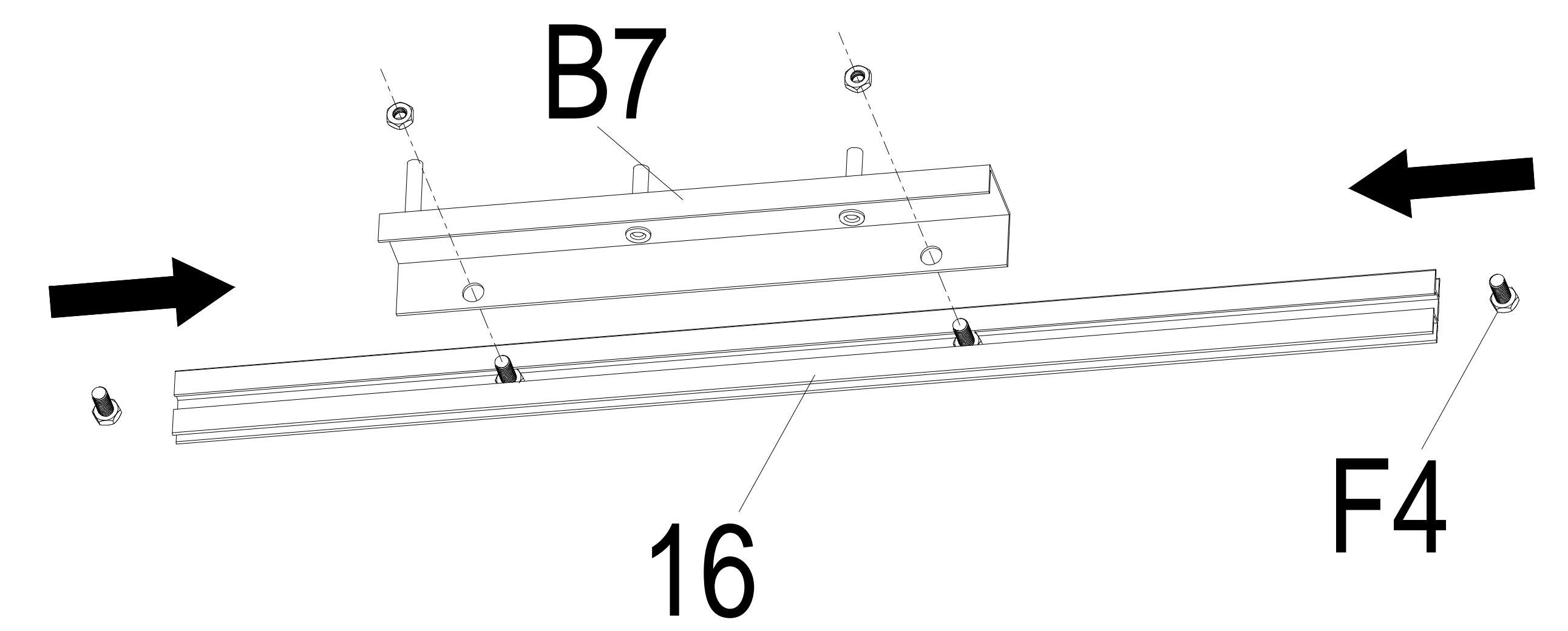
(M5x10)
F4x8



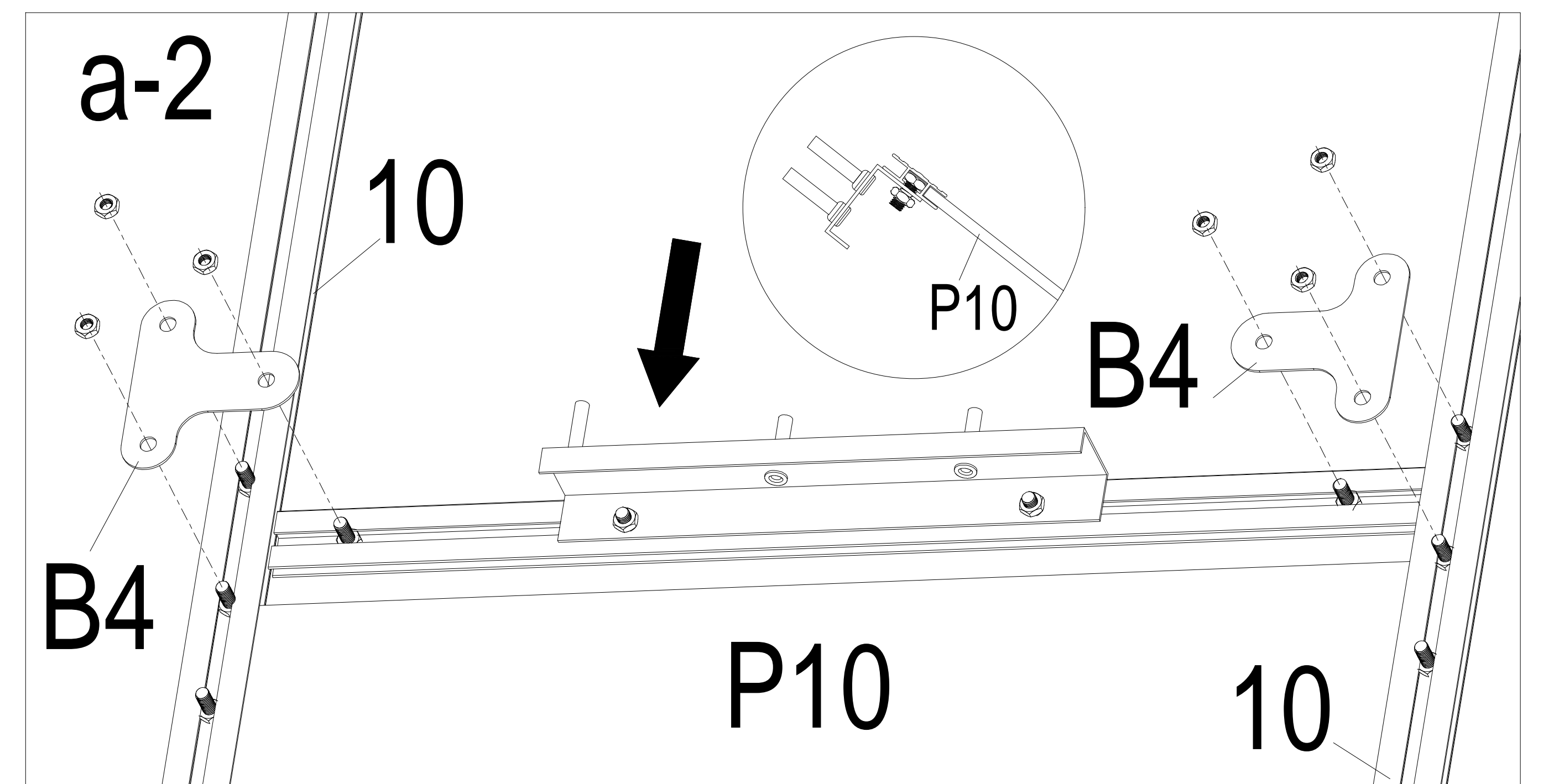
B7x2



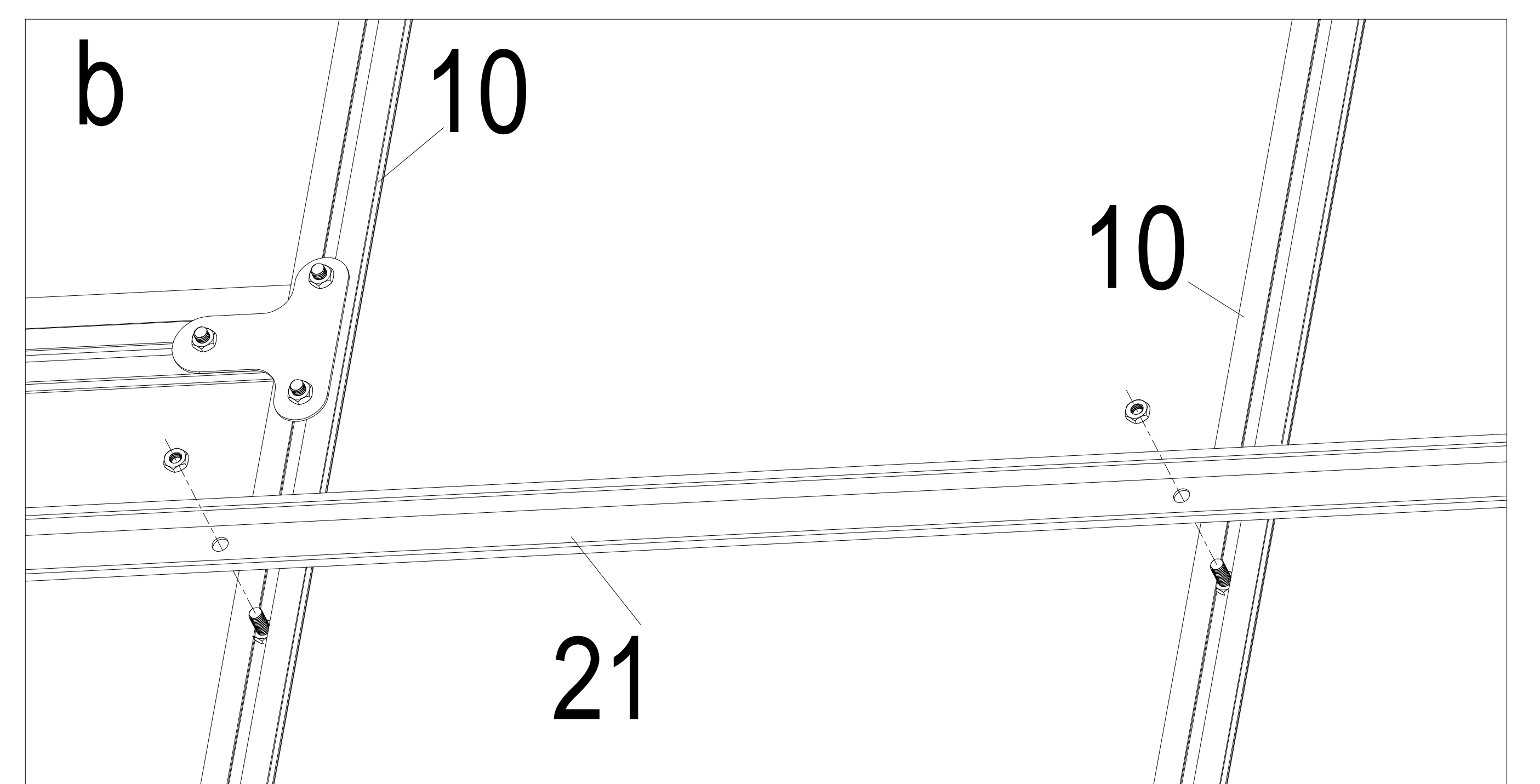
a-1

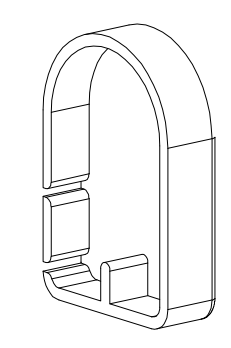


a-2

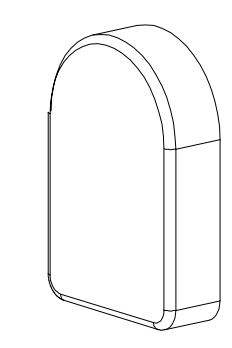


b

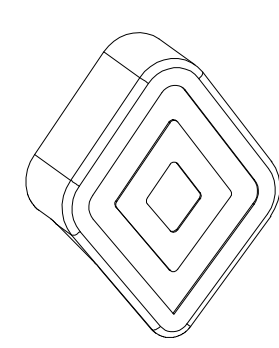




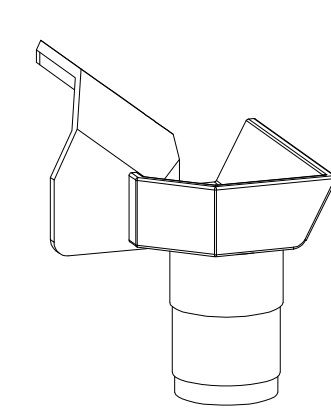
S7Lx1



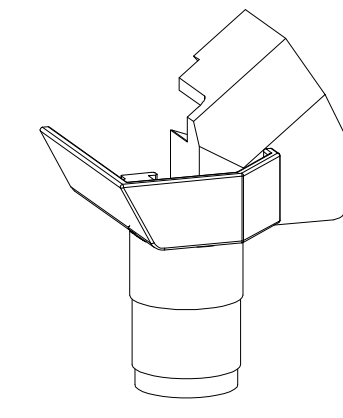
S7Rx1



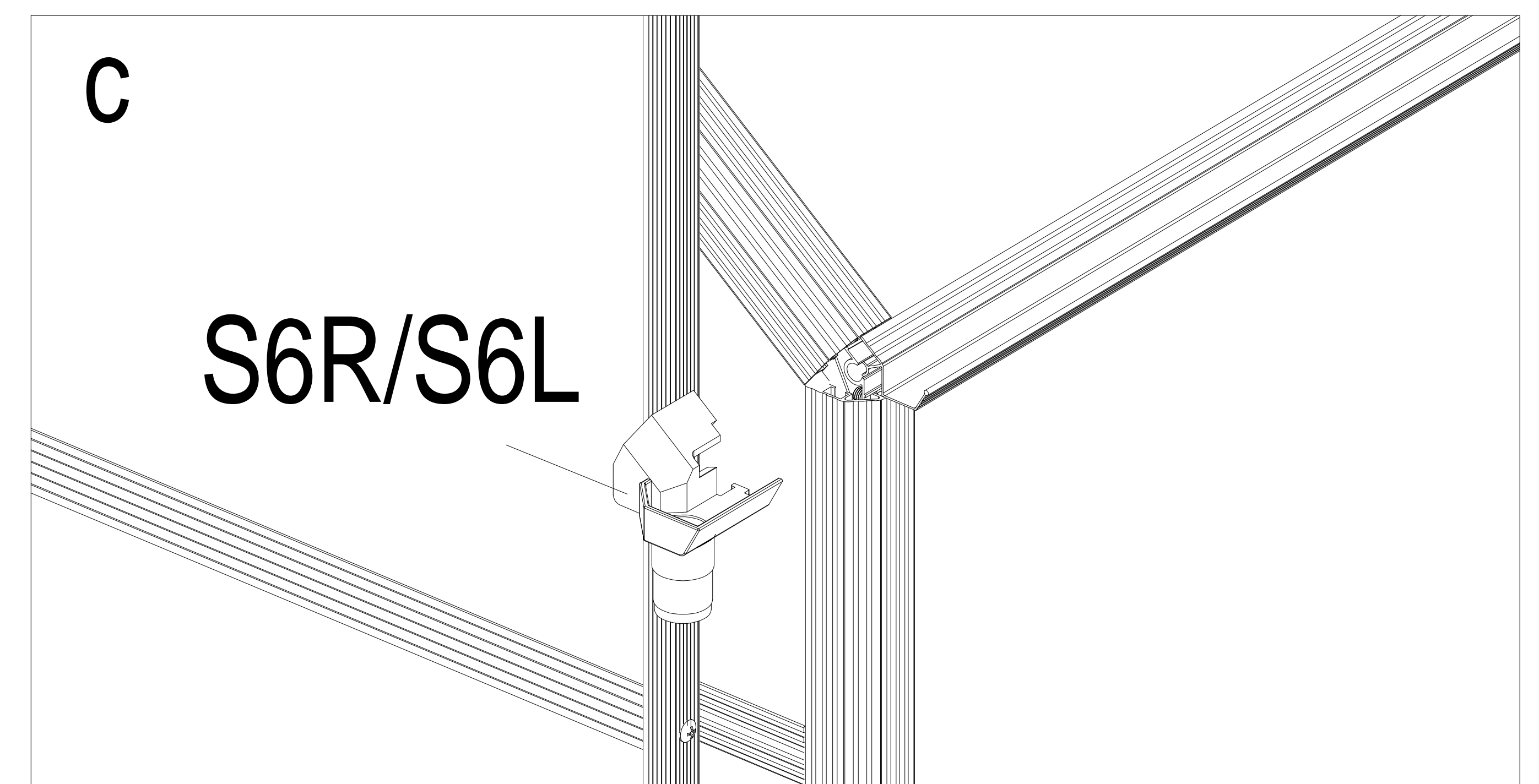
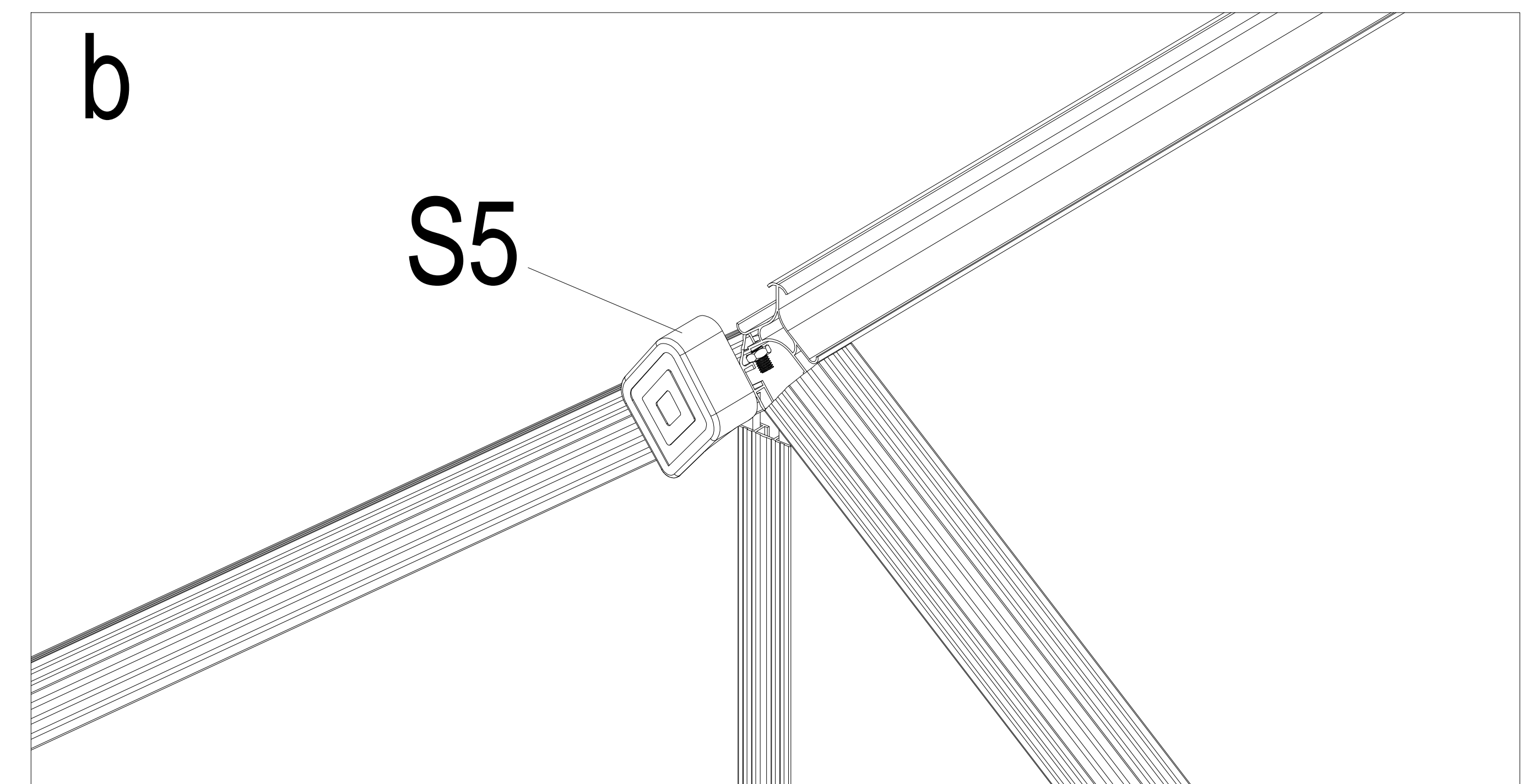
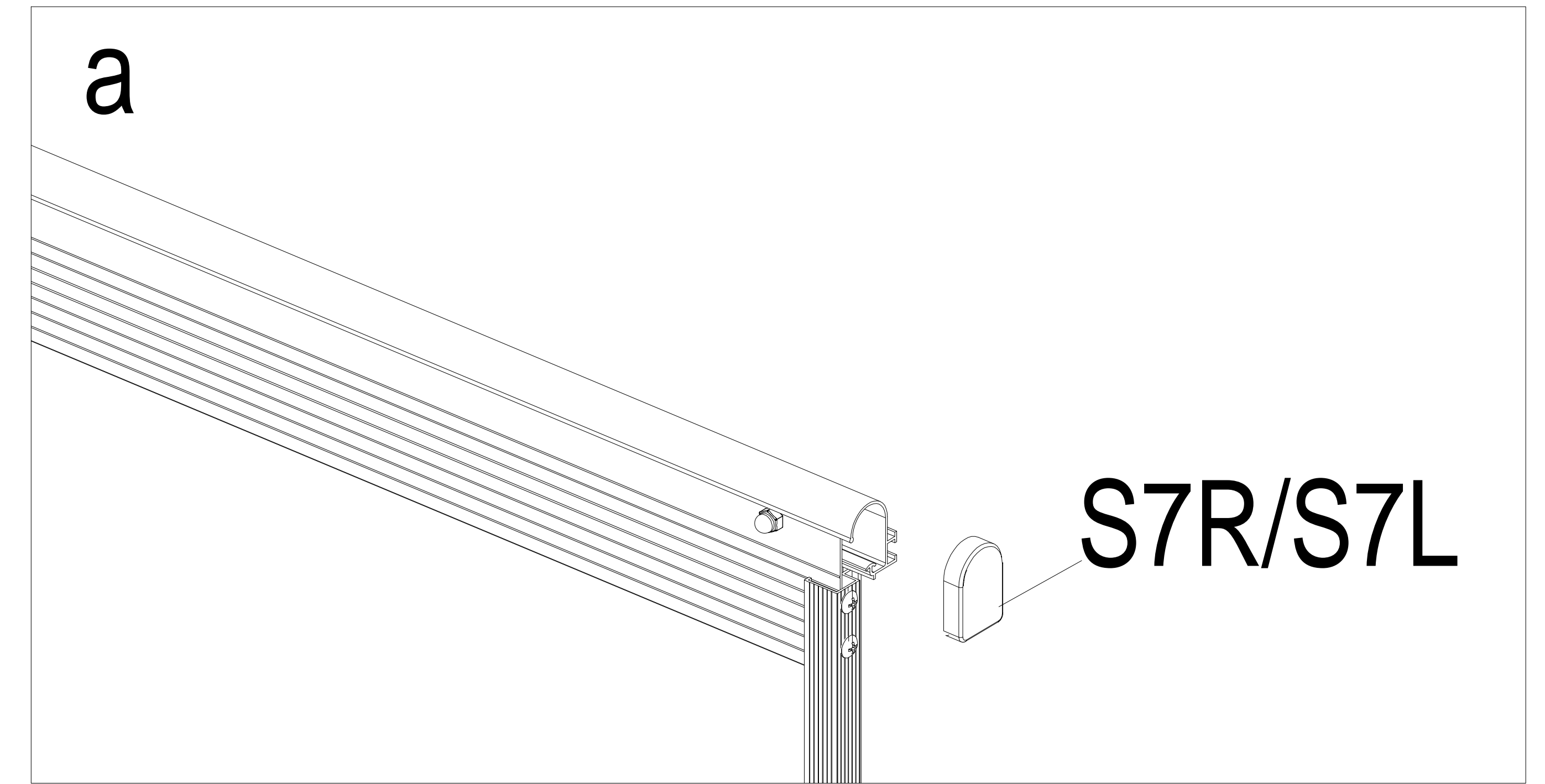
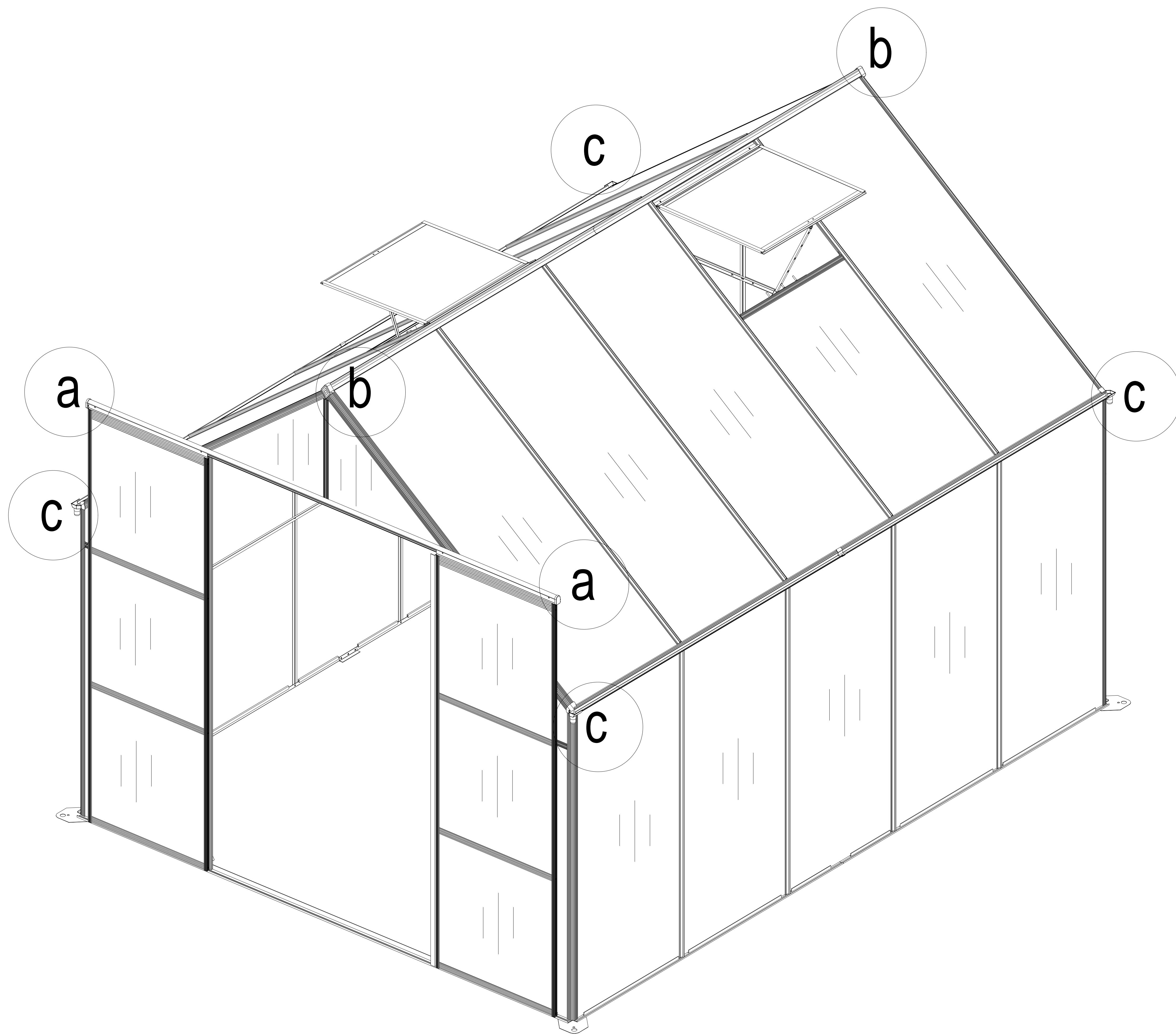
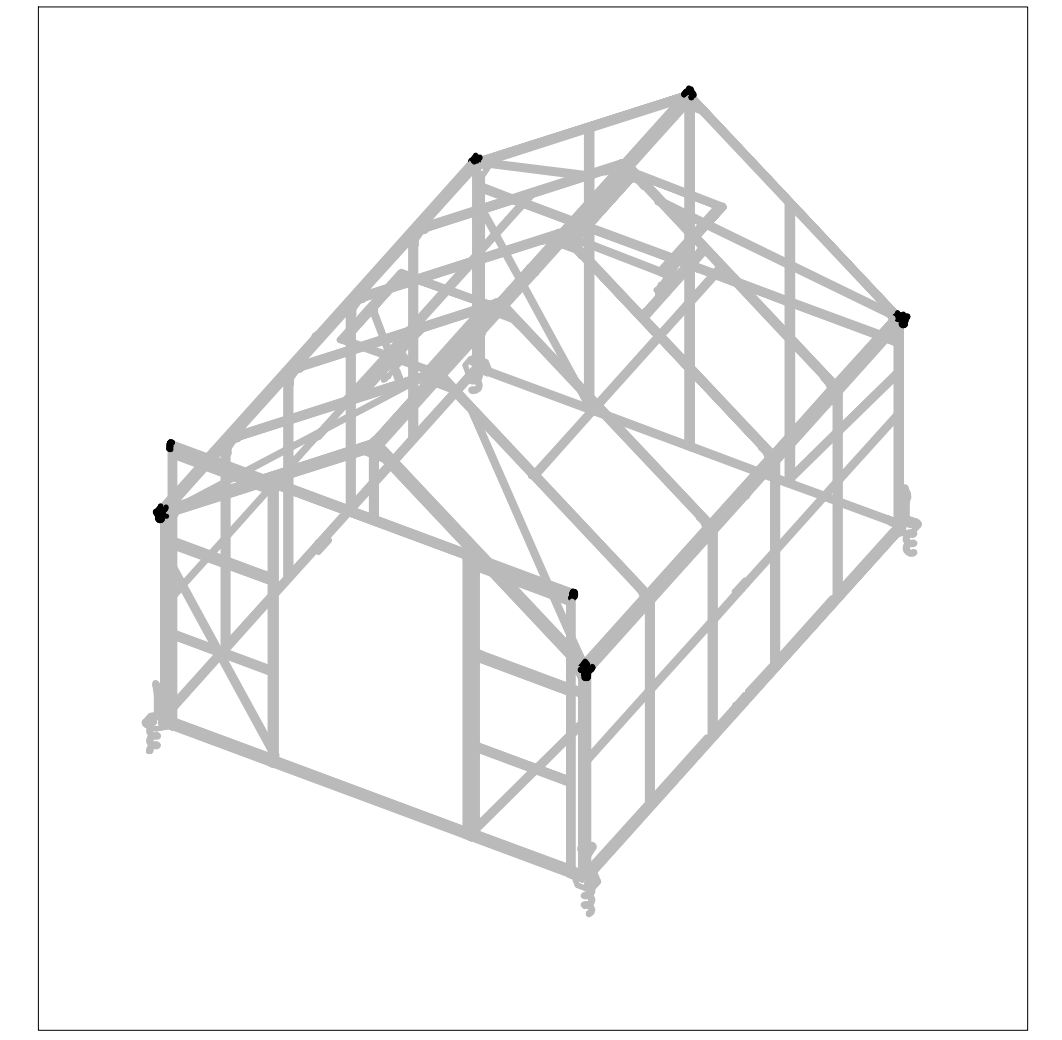
S5x2

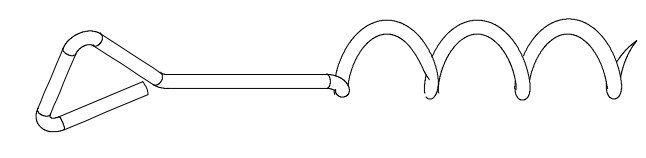


S6Lx2



S6Rx2





B14 x4

