

INSTALLATION INSTRUCTIONS

Cleaning

Part List

- 9501 (1 x)
- 9508 (1 x)
- 9517 (2 x)
- 9518 (8 x)
- 9519 (2 x)
- 9520 (13 x)
- 9521 (1 x)
- 9506 (2 x)
- 9540 (2 x)
- 9503 (1 x)
- 9527 (1 x)
- 9505 (2 x)
- 9503 (8 x)
- 9502 (3,5 x 29 mm) (13 x)
- 9504 (3,5 x 30 mm) (9 x)
- 9514 (3,0 x 25 mm) (7 x)

Overview

The Tools You Will Need

You will need a small #1 Phillips type screwdriver, a tape measure, a small nail, and a 3/32" drill for screw pilot-holes, a hacksaw or fine tooth saw (saw needed to trim top track for the appropriate width or to trim height of panels if door is less than 80" high); and masking tape (to secure doors if trimming is necessary.) Safe glasses.

1

Measure the Door Opening
If the height of your door opening is approximately 80", you will not need to alter the door itself. If the opening is less than 80" high, the door may be shortened by sawing off excess from the bottom of the door panels.

Cut excess with a hacksaw or fine tooth saw.

2

Attach Anchor Clips
Use the closure channel to measure and align the channel clips. Align the channel clips on the non-opening side of the door jamb and down.

Cut the overhead track 1/8" shorter than the width of the opening.

3

Install top door glides

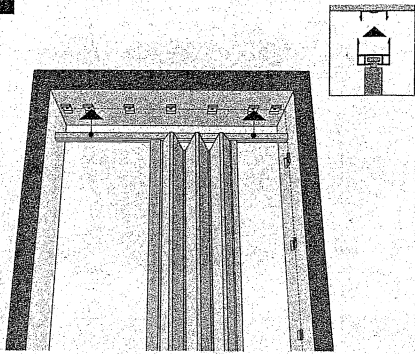
Install the Handles
Tap the two handle attachment pins into one handle, then fit the pins through the door panel holes. Press the other handle onto the pins.

Install Anchor Closure Panel
On the non-opening side of the door jamb

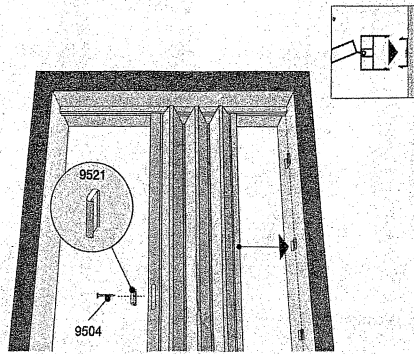
Slide Overhead Track onto Top Door Glides
Apply track lubricant to each top-glide.

INSTALLATION INSTRUCTIONS Continued

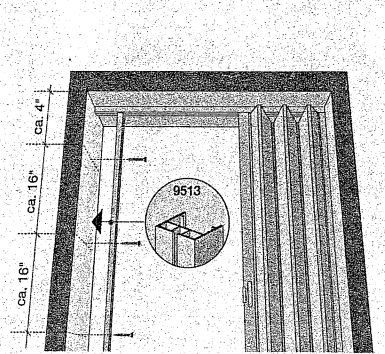
4



Attach Overhead Track onto Top Anchor Clips

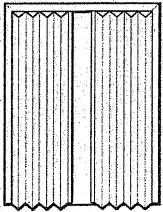


1. Attach Closure Channel onto Door Jamb Anchor Clips
2. Install The Latch Striker Plates



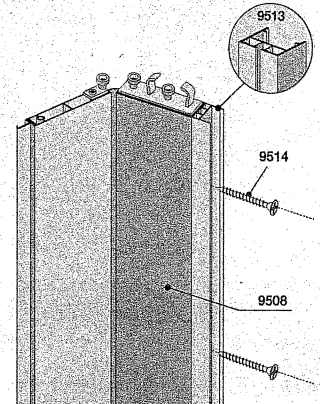
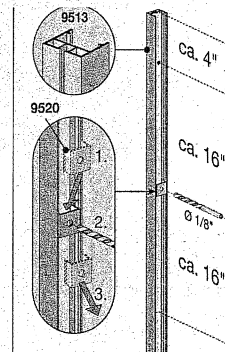
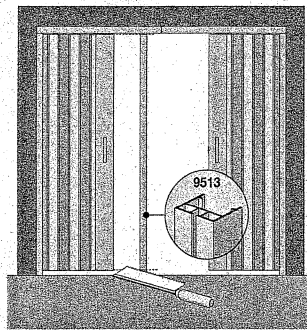
Install the Closure Channel
Align the closure channel on the opening side of the door jamb.
Make sure the channel is straight up and down.

DOUBLE DOOR INSTALLATION



Measure The Door Opening

Divide the width of the opening by two. Cut each overhead track to this measurement so that when installed, the tracks butt against one another in the center of the door opening.



Install One Overhead Track

On a center line drawn across the top of the door opening, install either half track and install all screws in the half track.