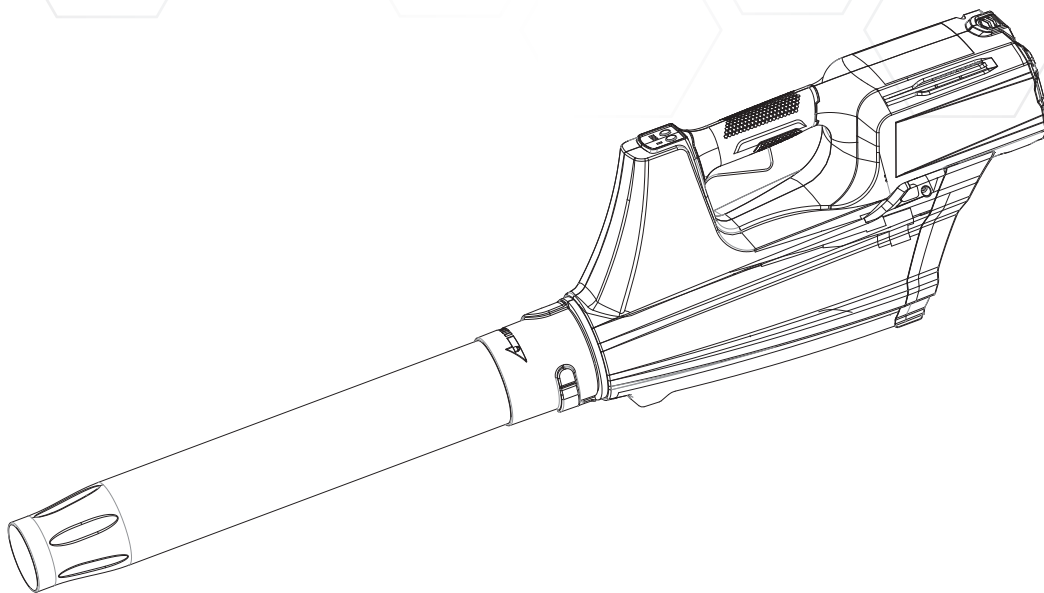




NEXT GENERATION OF TOUGH TOOLS™



ITEM #0419016

80 V LITHIUM-ION CORDLESS BLOWER

MODEL #KHB 400B-06

Français p. 12

Español p. 23

ATTACH YOUR RECEIPT HERE

Serial Number _____ Purchase Date _____



Questions, problems, missing parts? Before returning to your retailer, call our customer service department at **1-888-3KOBALT** (1-888-356-2258) 8 a.m. - 8 p.m., EST, Monday - Friday.

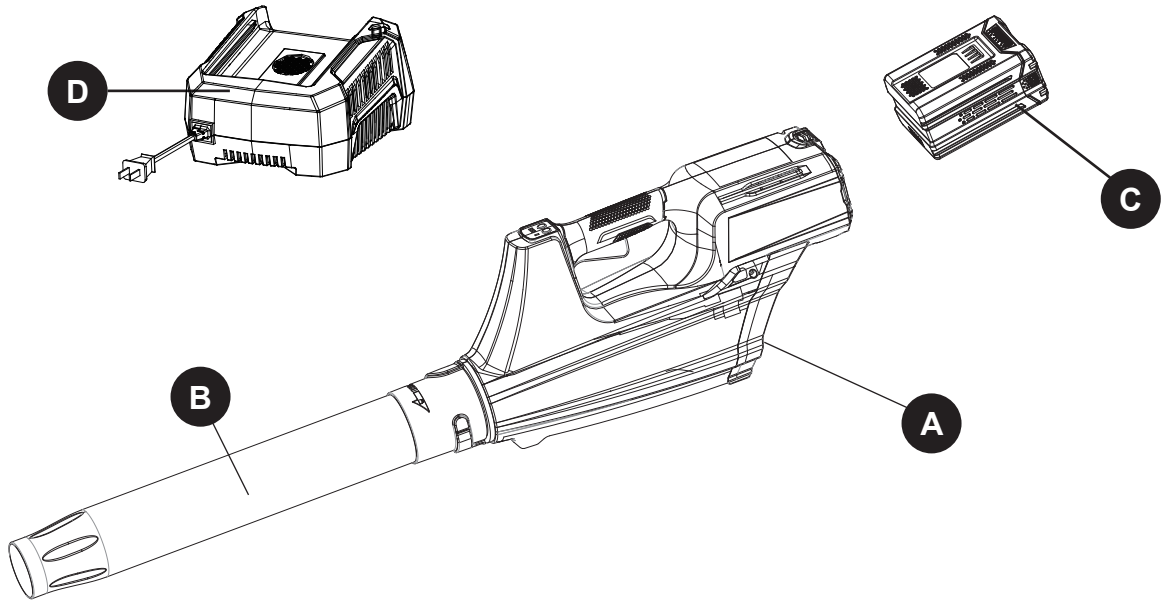
TABLE OF CONTENTS

Product Specifications.....	2
Package Contents.....	3
Symbols.....	4
Safety Information.....	5
Preparation	8
Assembly Instructions	8
Operating Instructions	9
Care and Maintenance	10
Troubleshooting.....	11
Warranty.....	11
Replacement Parts List	12

PRODUCT SPECIFICATIONS

SPECIFICATIONS	
Type	Cordless, battery-operated
Motor	80 V
Air volume (Max)	500 CFM
Air speed (Max)	125 MPH
Weight (without battery)	5.7 lbs.
Weight (with 2Ah battery)	8.9 lbs.













PACKAGE CONTENTS



PART	DESCRIPTION	QUANTITY
A	80 V Blower	1
B	Blower tube	1
C	80 V 2AH Li-Ion Battery	1
D	80 V Diagnostic Charger	1

SYMBOLS




Some of the following symbols may be used on this product. Please study them and learn their meaning. Proper interpretation of these symbols will allow you to operate the product better and safer.

SYMBOLS	DESIGNATION	EXPLANATION
V	Volts	Voltage
A	Amperes	Current
Hz	Hertz	Frequency (cycles per second)
W	Watts	Power
min	Minutes	Time
	Alternating Current	Type of current
	Direct Current	Type or a characteristic of current
/min	Per Minute	Revolutions, strokes, surface speed, orbits etc., per minute.
	Wet Conditions Alert	Do not expose to rain or use in damp locations.
	Read The Operator's Manual	To reduce the risk of injury user must read and understand operator's manual before using this product.
	Eye and Hearing Protection	Wear eye protection that is marked to comply with ANSI Z87.1 as well as hearing protection when operating this equipment.
	Safety Alert	Precautions that involve your safety.
	Long Hair	Failure to keep long hair away from the air inlet could result in personal injury.
	Loose Clothing	Failure to keep loose clothing from being drawn into air intake could result in personal injury.
	Keep Bystanders Away	Keep all bystanders at least 50 ft. away.
	Blower Tube	Do not operate without tube in place.
	Impeller Blades	Rotating impeller blades can cause severe injury.
	Class II Construction	Double-insulated construction.


SYMBOLS

Save these Instructions

The following signal words and meanings are intended to explain the levels of risk associated with this product.

SYMBOL	SIGNAL	MEANING
	DANGER	Indicates an imminently hazardous situation, which, if not avoided, will result in death or serious injury.
	WARNING	Indicates a potentially hazardous situation, which, if not avoided, could result in death or serious injury.
	CAUTION	Indicates a potentially hazardous situation, which, if not avoided, may result in minor or moderate injury.
	CAUTION	(Without Safety Alert Symbol) Indicates a situation that may result in property damage.

WARNING

- To avoid serious personal injury, do not attempt to use this product until you have read this Owner's Manual thoroughly and understand it completely. If you do not understand the warnings and instructions in this Owner's Manual, do not use this product. Call 1-888-356-2258 for assistance.
-  The operation of any power tool can result in foreign objects being thrown into your eyes, which can result in severe eye damage. Before beginning power tool operation, always wear safety goggles or safety glasses with side shields and, when needed, a full face shield. We recommend a wide vision safety mask for use over eyeglasses or standard safety glasses with side shields. Always use eye protection which is marked to comply with ANSI Z87.1.

SAFETY INFORMATION

WARNING

Read and understand all instructions before using this product. Failure to follow all instructions listed below may result in electric shock, fire, and/or serious personal injury.

Please read and understand this entire manual before attempting to assemble, operate or install the product.

- Do not operate power tools in explosive atmospheres, such as in the presence of flammable liquids, gases, or dust. Power tools create sparks that may ignite the dust or fumes.
- Don't expose power tools to rain or wet conditions. Water entering a power tool will increase the risk of electric shock.
- Do not handle the battery or tool with wet hands.
- Never allow children to operate the equipment. Never allow adults to operate the equipment without proper instruction.
- Always wear safety glasses with side shields that comply with ANSI Z87.1. Everyday glasses have only impact resistant lenses. They are NOT safety glasses. Following this rule will reduce the risk of eye injury. If working in a dusty area, use a dusk mask.



SAFETY INFORMATION

- Use extra care when cleaning on stairs.
- Do not expose to rain. Store indoors.
- Do not operate in poor lighting.
- Keep all parts of your body away from any moving part.
- Keep hair, loose clothing, fingers and all body parts away from openings and moving parts.
- Wear heavy long pants, boots, and gloves. Avoid loose garments and jewelry that could get caught in moving parts of the machine or its motor.
- Do not force tool. Use the correct tool for your application. The correct tool will do the job better and safer at the rate for which it is designed.
- Do not operate the equipment while barefoot or when wearing sandals or similar lightweight footwear. Wear protective footwear that will protect your feet and improve your footing on slippery surfaces.
- Secure long hair so it is above shoulder level to prevent entanglement in any moving parts.
- Keep firm footing and balance. Do not overreach. Overreaching can result in loss of balance.
- Do not allow to be used as a toy. Close attention is necessary when used by or near children.
- Do not use tool if switch does not turn it on or off. Any tool that cannot be controlled with the switch is dangerous and must be repaired.
- Keep all bystanders, children, and pets at least 50 ft. away.
- Do not operate this unit when you are tired, ill, or under the influence of alcohol, drugs, or medication.
- Keep all parts of your body away from any moving parts and all hot surfaces of the unit.
- Do not put any object into openings. Do not use with any opening blocked; keep openings free of dust, lint, hair, and anything that may reduce air flow.
- Check the work area before each use. Remove all objects such as rocks, broken glass, nails, wire, or string which can be thrown or become entangled in the machine.
- Use only identical manufacturer's replacement parts and accessories. Use of any other parts may create a hazard or cause product damage.
- Do not charge battery tool in rain, or damp or wet location. Following this rule will reduce the risk of electric shock.
- For household use only.
- Battery tools do not have to be plugged into an electrical outlet; therefore, they are always in operating condition. Be aware of possible hazards when not using your battery tool or when changing accessories. Following this rule will reduce the risk of electric shock, fire, or serious personal injury.
- Remove or disconnect battery before servicing, cleaning or removing material from the gardening appliance.
- Use only 80 V Kobalt batteries and chargers.
- Store idle appliances. When not in use, blower should be stored indoors in a dry, locked place out of the reach of children.
- Do not dispose of batteries in fire, as the cells can explode. Check with local codes for possible special disposal requirements.
- Do not open or mutilate the batteries. Released electrolyte is corrosive and may cause damage to the eyes or skin. It may be toxic if swallowed.
- Do not place battery tools or their batteries near fire or heat. This will reduce the risk of explosion and possibly injury.



SAFETY INFORMATION

- Batteries can explode in the presence of a source of ignition, such as a pilot light. To reduce the risk of serious personal injury, never use any cordless product in the presence of open flame. An exploded battery can propel debris and chemicals. If exposed, flush with water immediately.
- Do not crush, drop or damage battery. Do not use a battery or charger that has been dropped or received a sharp blow. A damaged battery is subject to explosion. Properly dispose of a dropped or damaged battery immediately.
- Exercise care in handling batteries in order not to short the battery with conducting materials such as rings, bracelets, and keys. The battery or conductor may overheat and cause burns. Do not open or mutilate the batteries. Released electrolyte is corrosive and may cause damage to the eyes or skin. It may be toxic if swallowed.
- For best results, your battery tool should be charged in a location where the temperature is more than 50°F but less than 100°F. To reduce the risk of serious personal injury, do not store outside or in vehicles.
- Under extreme usage or temperature conditions, battery leakage may occur. If liquid comes in contact with your skin, wash immediately with soap and water, then neutralize with lemon juice or vinegar. If liquid gets into your eyes, flush them with clean water for at least 10 minutes, then seek immediate medical attention. Following this rule will reduce the risk of serious personal injury.
- If the power supply cord is damaged, it must be replaced only by the manufacturer or by an authorized service center to avoid risk.
- Do not point the blower nozzle in the direction of people or pets.
- Never run the unit without the proper equipment attached. Always ensure the blower tube is installed.
- When not in use, blower should be stored indoors in a dry, locked up place-out of the reach of children.
- Maintain tool with care. Keep fan area clean for best and safest performance. Follow instructions for proper maintenance. Do not attempt to clear clogs from tool without first removing the battery.
- To reduce the risk of electrical shock, do not expose to rain, do not use on wet surfaces. Store indoors.
- Save these instructions. Refer to them frequently and use them to instruct others who may use this power tool. If you loan someone this power tool, loan them these instructions also.
- Do not handle the charger, including the charger plug and terminals, with wet hands.
- Use only the charger supplied by the manufacturer to recharge the battery.
- Do not charge the battery outdoors.
- Do not use around flammable or combustible liquids, such as gasoline.

Child Safety

Tragic accidents can occur if the operator is not aware of the presence of children.

- Keep children out of the working area and under the watchful care of a responsible adult.
- Do not allow children under the age of 14 to operate this blower. Children who are 14 years of age and older must read and understand the operating instructions and safety rules in this manual and must be trained and supervised by a parent.
- Stay alert and turn the blower off if a child or any other person enters the working area.
- Use extreme care when approaching blind corners, doorways, shrubs, trees, or other objects that may obscure your view of a child who may run into the path of the blower.

SAFETY INFORMATION

WARNING (Proposition 65)

Some dust created by power sanding, sawing, grinding, drilling, and other construction activities contain chemicals known to cause cancer, birth defects or other reproductive harm. Some examples of these chemicals are:

- Lead from lead-based paints,
- Crystalline silica from bricks and cement and other masonry products, and
- Arsenic and chromium from chemically-treated lumber.

Your risk from these exposures varies, depending on how often you do this type of work. To reduce your exposure to these chemicals, work in a well-ventilated area, and work with approved safety equipment, such as those dust masks that are specially designed to filter out microscopic particles.

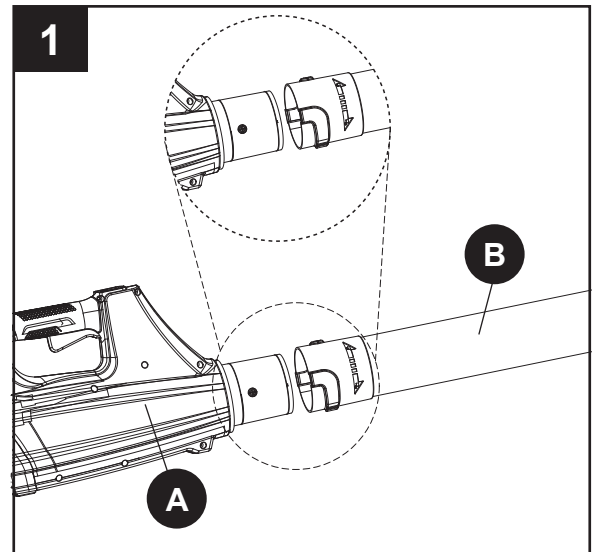
PREPARATION

Before beginning operation of this product, make sure all parts are present. Compare parts with package contents list. If any part is missing or damaged, do not attempt to operate the product.

ASSEMBLY INSTRUCTIONS

1. Nozzle

- Align the widest end of the blower tube (B) with the front opening on the blower (A).
- Align the grooves on the blower tube (B) with the detents on the blower (A).
- Twist the blower tube (B) clockwise until the tube locks into position.




ASSEMBLY INSTRUCTIONS

WARNING

Follow these instructions in order to avoid injury and to reduce the risk of electric shock or fire:

- Replace the battery or the charger immediately if the battery case or charger cord is damaged.
- Verify that the battery is removed before inspecting, adjusting, or performing maintenance on any part of the blower.
- Read, understand, and follow the instructions contained in the charger manual.

2. Battery

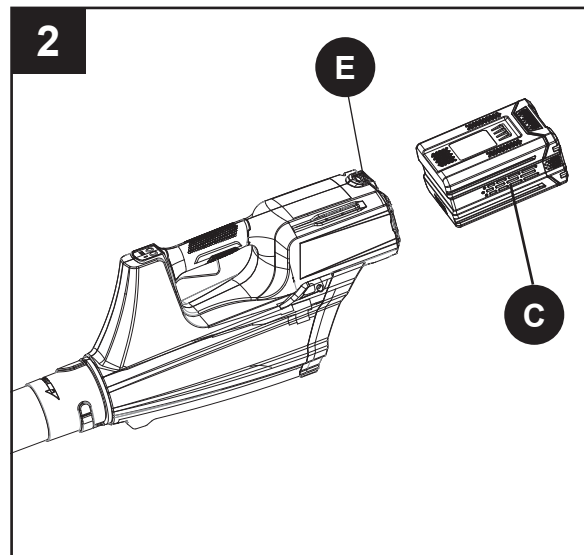
 **IMPORTANT:** The battery is not charged when it is purchased. Before using the blower for the first time, place the battery in the battery charger and charge. Make sure to read all safety precautions and follow the instructions in the battery and charger manuals.

To install the battery:

1. Align the battery (C) with the battery opening.
2. Insert the battery into the battery opening until the battery release button (E) locks into place.
3. Push down on the battery until it locks into place. You should hear a “click” once it is installed.

To remove the battery:

1. Press the battery release button (E) on the blower. This will cause the battery to slightly protrude out of the tool.
2. Grasp the blower firmly and pull the battery out of the handle.

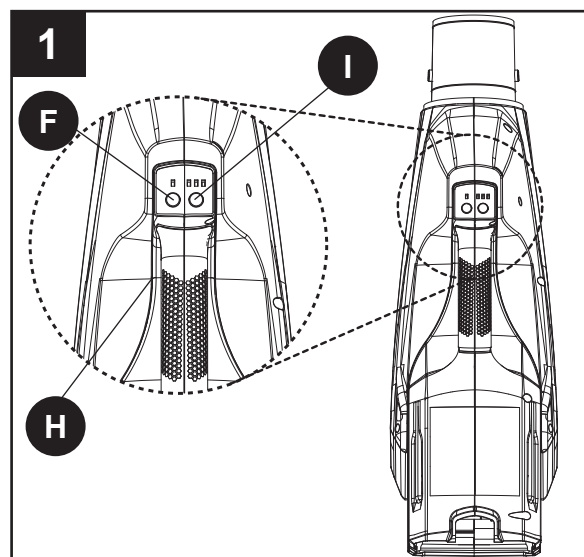


OPERATING INSTRUCTIONS

1. Starting/stopping the blower

- a. Press the power button (F) located on the blower. You will hear two audible beeps signaling the blower is active.
- b. Squeeze the trigger switch (H) to start.
- c. To change speeds, press the fan button (I) to the right of the power button (F). Lights will illuminate showing the current setting.
- d. Release the trigger switch (H) to stop.
- e. After the job is complete, press the power button (F) to turn off the blower.

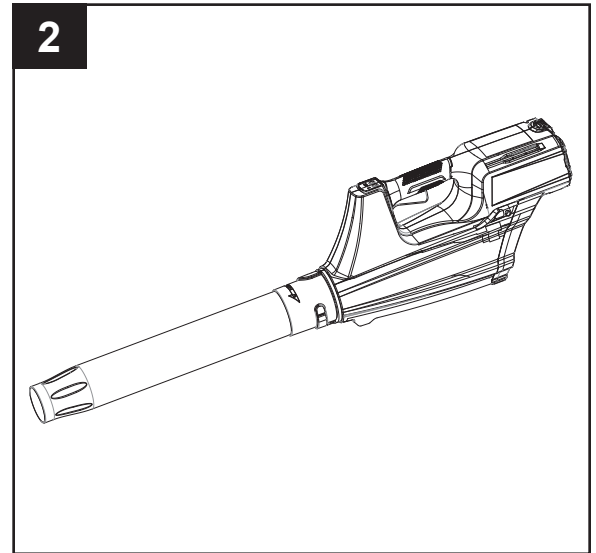
Note: The current speed setting will remain even if the unit is turned off.



OPERATING INSTRUCTIONS

2. Using the blower

- Blow debris or grass clippings off of driveways, sidewalks, patios, parking lots, etc.
- Gather grass clippings, straw, or leaves into piles.
- Remove debris from corners, around joints, and between bricks.



CARE AND MAINTENANCE

WARNING

In order to avoid personal injury and the risk of fire and electric shock, remove the battery before adjusting, inspecting, or cleaning the blower.

Cleaning

- Remove the battery.
- Brush or blow dust and debris out of the air vents using compressed air or a vacuum. Keep the air vents free of obstructions, sawdust, and wood chips. Do not spray, wash, or immerse the air vents in water.
- Wipe off the housing and the plastic components using a moist, soft cloth. Do not use strong solvents or detergents on the plastic housing or plastic components. Certain household cleaners may cause damage, and may cause a shock hazard.

TROUBLESHOOTING

If you still have questions or an unresolved issue after going through this this troubleshooting guide, or just want to speak to a Kobalt product expert, please call the our customer service department at 1-888-3KOBALT (1-888-356-2258), 8 a.m. - 8 p.m., EST, Monday - Friday.

PROBLEM	POSSIBLE CAUSE	CORRECTIVE ACTION
Motor fails to start when switch trigger is depressed.	1. Battery is not secure. 2. Battery is not charged.	1. To secure the battery, make sure the latch on the top of the battery snaps into place. 2. Charge the battery according to the instructions included with your battery.
Unit will not start.	1. Defective power switch.	1. The switch will need to be replaced. Please call our customer service number at 1-888-3KOBALT (1-888-356-2258), 8 a.m. - 8 p.m., EST, Monday - Friday.
Unit will not blow.	1. Blocked tube.	1. Clear the blockage.

WARRANTY

5-YEAR HASSLE-FREE WARRANTY

This 80 V Lithium-ion Cordless Blower is warranted to the original purchaser from the original purchase date for five (5) years subject to the warranty coverage described herein.

This 80 V Lithium-ion Cordless Blower is warranted for the original user to be free from defects in material and workmanship.

If you believe that the 80 V Lithium-ion Cordless Blower is defective at any time during the specified warranty period, simply return the 80 V Lithium-ion Cordless Blower along with proof of purchase to the place of purchase for a free replacement or refund, or call 1-888-3KOBALT (1-888-356-2258) for warranty service.

This warranty is void if: defects in materials or workmanship or damages result from repairs or alterations which have been made or attempted by others or the unauthorized use of nonconforming parts; the damage is due to normal wear, damage is due to abuse (including overloading of the tool beyond capacity), improper maintenance, neglect or accident; or the damage is due to the use of the tool after partial failure or use with improper accessories or unauthorized repair or alteration.

This warranty gives you specific legal rights, and you may also have other rights that vary from state to state.

Printed in China
Kobalt® is a registered trademark of LF, LLC. All Rights Reserved.

kobalttools.com  **KOBALT**