

Installation Instructions

Read these instructions carefully and keep them for future reference



01 Safety Information



WARNING: TO reduce the risk of personal injury, do not bend the blade brackets (also referred to as flanges) during assembly or after installation. Do not insert objects in the path of the blades.



WARNING: Remove the rubber motor stops on the bottom of the fan before installing the blades or testing the motor.



WARNING: To reduce the risk of fire or electric shock, do not use this fan with any solid-state speed control device.



WARNING: To avoid possible electrical shock, turn the electricity off at the main fuse box before wiring. If you feel you do not have enough electrical wiring knowledge or experience, contact a licensed electrician.



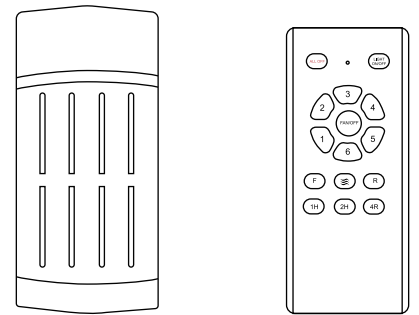
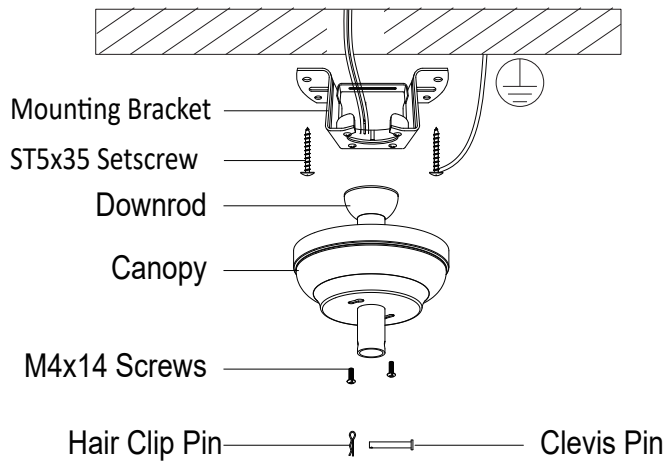
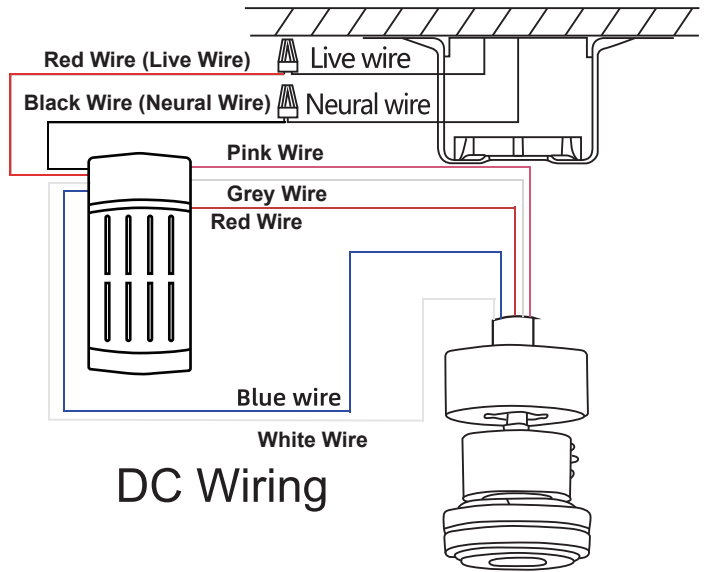
WARNING: Electrical diagrams are for reference only. Optional use of any light kit shall be UL-listed and marked suitable for use with this fan.



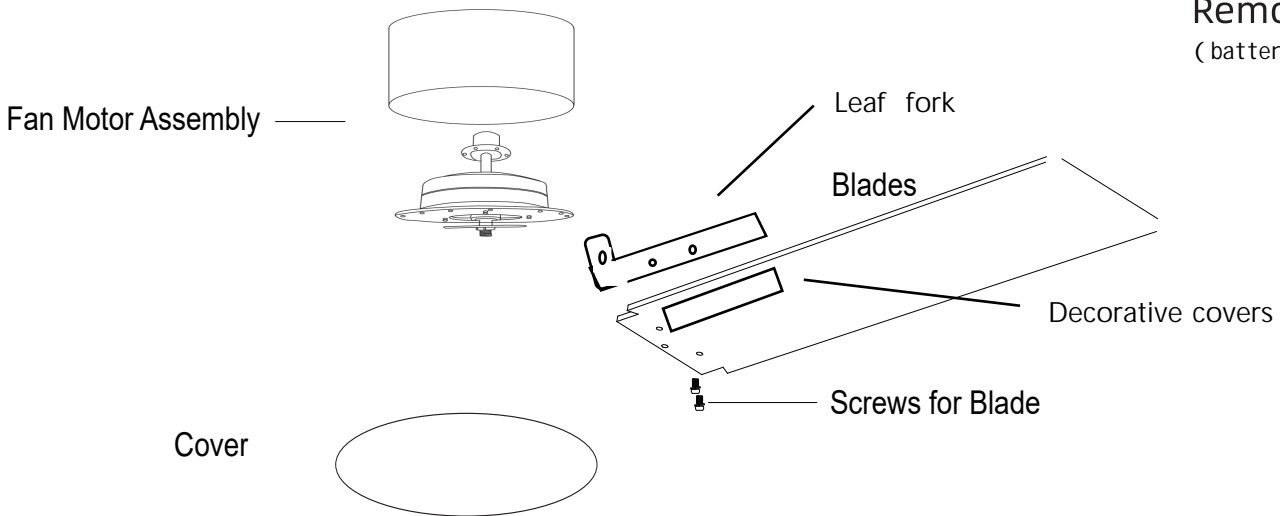
WARNING: To reduce the risk of fire, electric shock, or personal injury, mount to outlet box marked "Acceptable for fan support of 35 lbs. (15.9 kg) or less." and use the screws provided with the outlet box.

02) Ceiling fan installation process

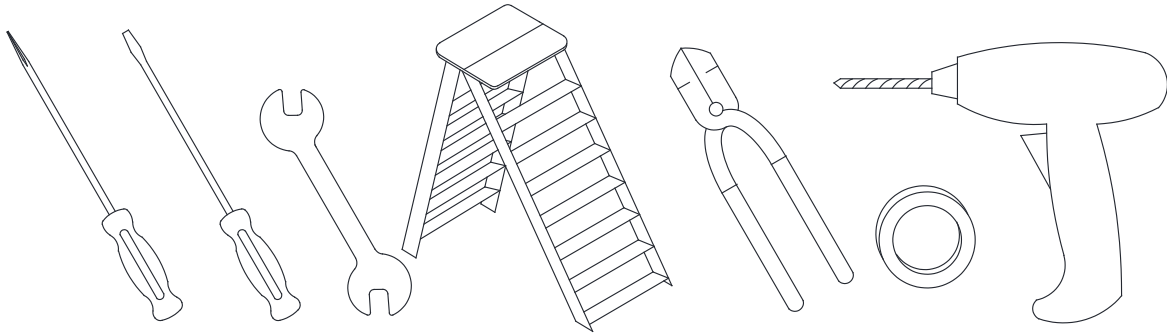
1 Pre-installation



Remote control
(battery not included)



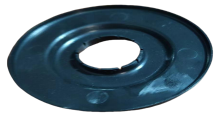
2 Tools Needed



You may need the tools below:

- *Screwdrivers*
- *Wrench*
- *Ladder*
- *Wire Strippers*
- *Insulation Tape*
- *Power drill*

3 Decorative cover



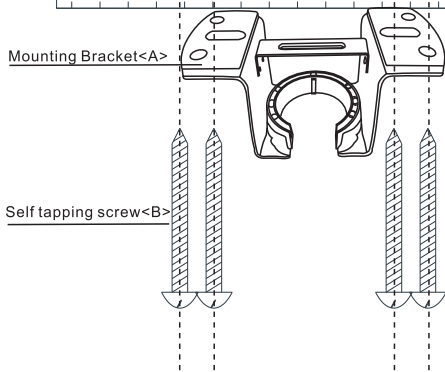
Decorative cover



Insert A into the suspension rod and push it upwards tightly

04) Installation of the hanging bracket(suspension part)

Wooden ceiling



For wooden ceiling, use wood screw to drill on the wooden beam or the "junction box" to fix the hanging bracket (selection is made according to actual requirements of the customers).

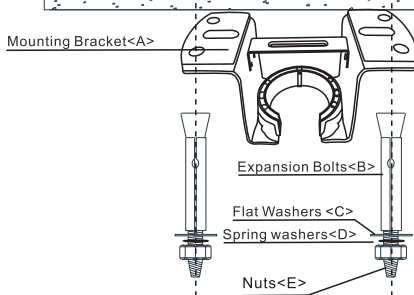
STEP 1A-WOODEN CEILING

SWITCH OFF THE ELECTRICAL MAINS AT THE CIRCUIT BREAKER FUSE BOX.

- 1) Use the Mounting Bracket (A) as a guide, mark the spots where the 4 Self Tapping Screws (B) will be drilled.
- 2) Remove the Mounting Bracket (A), drill 4 holes for 3MM diameter, install the mounting bracket onto wooden ceiling with the 4 Self Tapping Screws (B).

IMPORTANT : SCREWS MUST BE TIGHTENED TILL SNUG

CONCRETE CEILING



Note: According to the ceiling of different materials, use different screws to fix the hanging bracket. Don't fix the hanging bracket on the wood ceiling less than 12MM to prevent danger caused by loosening of screws. After the hanging bracket is completed, ensure that it can withstand the tension test of more than 68KG for safety.

For concrete ceiling, use the percussion bit with diameter 8mm to drill holes according to the length of expansion screws. Then use the attached expansion screws to fix the hanging bracket onto the ceiling (selection is made according to actual requirements of the customers).

STEP 2A-CONCRETE CEILING

SWITCH OFF THE ELECTRICAL MAINS AT THE CIRCUIT BREAKER FUSE BOX.

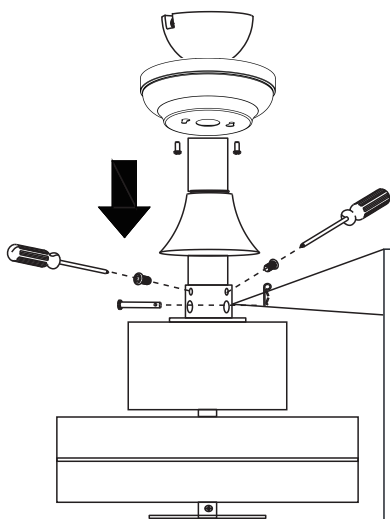
- 1) Use the Mounting Bracket (A) as a guide, mark the spots where the 4 Expansion Bolts (B) will be drilled.
- 2) Remove the Mounting Bracket (A), drill 4 holes and insert 4 Expansion Bolts (2) into the concrete ceiling, install the mounting bracket and secure with Flat Washers (C), Spring Washers (D) and Nuts (E).

IMPORTANT : SCREWS & NUTS MUST BE

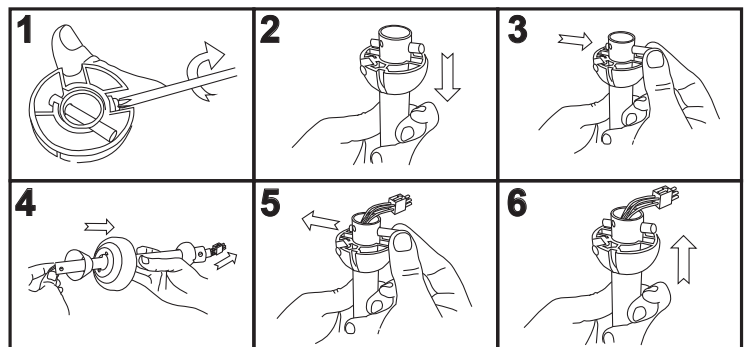
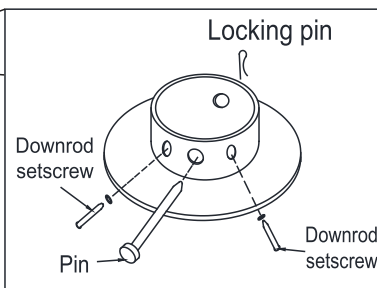
TIGHTENED TILL SNUG

05) Install the hanging part of the ceiling fan.

1.install downrod assembly

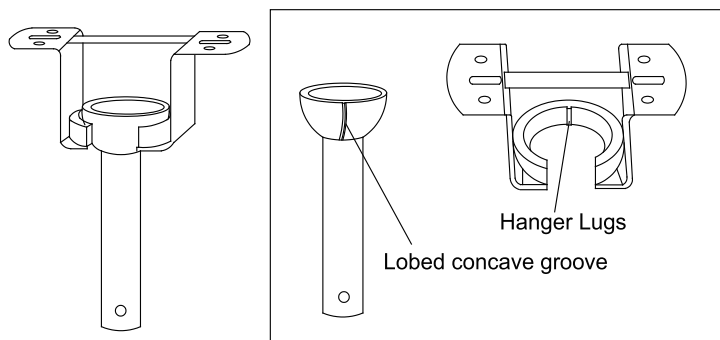


1. Thread the suspender through the suspended clock and coupling cover.
2. Then insert the tail of the suspender from the lifting head of the motor.
3. After the lateral pin is threaded out from the suspended head position, insert R type pin.
4. Tighten the lifting head screws.
5. Hang the fan of the hanging pipe into the hanger.



06) Assembly – Hanging the Fan(continued)

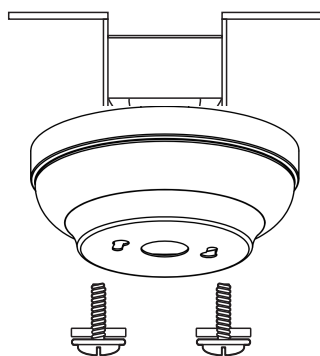
Mount Fan to Bracket



Lift the fan assembly onto the mounting bracket. Ensure the registration slot of the hanger ball is positioned on the stopper of the mounting bracket to prevent the fan from rotating when in operation.

Tips: Seek the help of another person to hold the stepladder and hang the fan body for you.

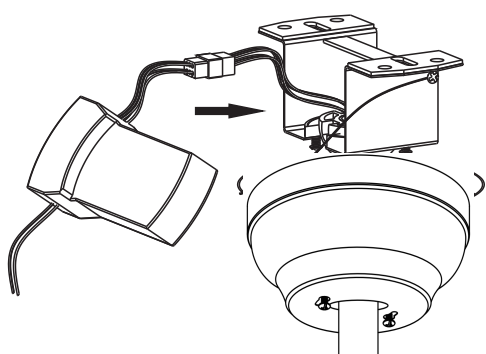
Preparing for mounting



1. Remove the mounting bracket from the canopy by loosening the two canopy screws located in the L shaped slots.

2. Remove and save the two canopy screws in the round holes. This will enable you to remove the mounting bracket

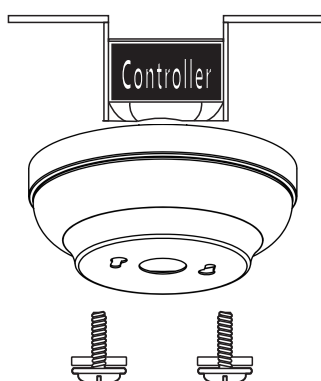
Install remote control



1. Carefully push the canopy to the bottom of the mounting bracket, make two sliding holes aligned to the two prominent screws on the mounting bracket, and then turn clockwise until tight.

2. Push the canopy ring to the bottom of the canopy, slide the inner holes aligned to the two prominent screws on the mounting bracket again, and turn the canopy ring clockwise until tight.

Preparing for mounting



1. Remove the mounting bracket from the canopy by loosening the two canopy screws located in the L shaped slots.

2. Remove and save the two canopy screws in the round holes. This will enable you to remove the mounting bracket



Phillips
screwdriver

07) Assembly – Attaching the Fan Blades

1. Fastening the blade to the motor

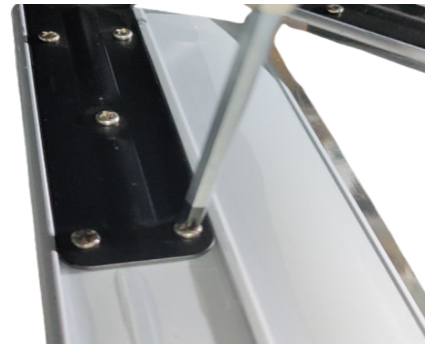


1, Attach EVA sponge to the back of the fan blades, ensuring that the EVA matches the screw holes



Decorative covers

Leaf fork



2, Place "Leaf fork" on the EVA of the fan blade, align B with the screw holes of the blade, and finally fix these three components with screws

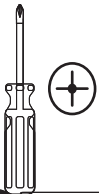


3, Finally, tighten the assembled fan blades onto the motor with screws

Insert a blade screw from the package through the blade hole and position it under the motor so that the screw is aligned with the "center" hole position of any group of screw holes.

.Fasten the Blade to the fan-motor assembly by inserting the alignment post into the slot on the bottom of the motor and tightening the pre-installed Blade screws.

.Repeat this step for the remaining blade assemblies.

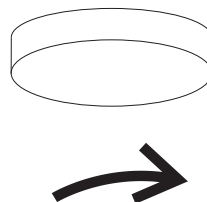


Phillips screwdriver

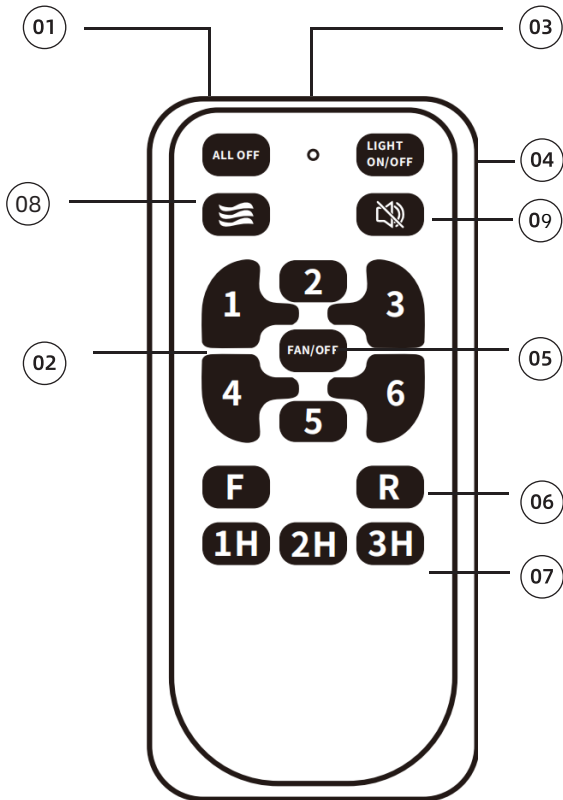
08) Assembly-Attaching the cover



Install the cover as shown

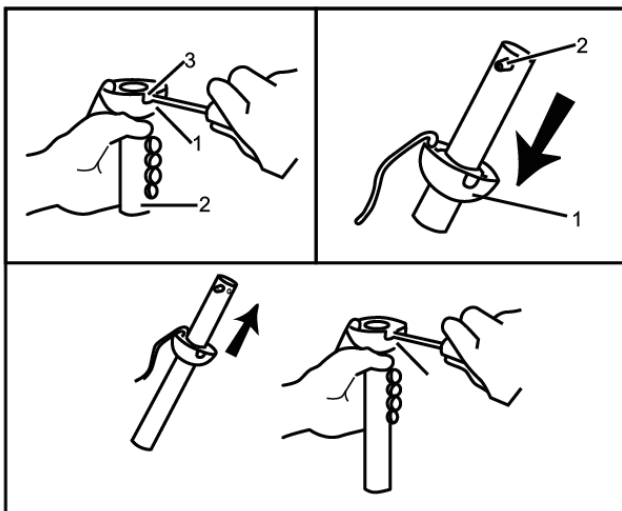


09) Function Instruction of Emitter



1. Turn off all Loads
2. Fan Speed Control
3. LED Indicator Light
4. Turn On the Light(no light Not Applicable)
5. Fan Off (Include Wind Speed and Lights)
6. Fan Forward and Counter Rotation Control
7. Fan Timing Control
8. Naturl Wind
9. BEE sound ON/OFF

10) Change Downrod (OPT)



The Ceiling Fan comes with 5inches and 10inches downrod which is preassembled and attached to the hanger ball, one longer 10inches downrod is also included for higher ceilings. If you need a different downrod length, please follow these steps:

1. Loosen the hanger ball from ball from downrod by removing set screw.
2. Slide downrod ball off of downrod and remove pin
3. Re-install pin into extended downrod, and slide downrod ball up to the top of the downrod
4. Re-install set screw to secure ball to downrod

14) Product problems you encountered

Dear buyer

Thank you for your support and choice

You have the opportunity to register your product for a 12 month warranty.

To register for warranty service, please contact our after-sales

email and enter the order number or provide a

screenshot, we will immediately register the information for your product and

activate the order number. From the date of purchase to the next 12 months,

if you encounter any product problems during the use of the product, you can

contact our after-sales mailbox, and we can replace and reissue new accessories

and new ceiling fans for free. This makes it easier for us to contact and register

product issues later. If you have any questions about the topics below, please

contact our after-sales team and provide your order number along with your

name, phone number and specific shipping address.

Product Problem:

* Ceiling fan Shaking:

1. Check whether the cam ball is tightened with screws
2. Check whether the lifting head screws are tightened
3. Check whether the three fan blades are evenly distributed
(see whether the gap between the fan blades is the same size)
4. Check whether there is a balance patch in the black package,
Can be used to adjust the balance of fan blades.

* Shade Damage/Blade Damage:

Please contact our after-sales team and send pictures or video feedback to check the damage of the product, please contact our after-sales team and provide your order number, your name, phone number and specific shipping address .Accessory issues: including screw kits, remotes, controllers missing or unavailable, please contact our after-sales team with your order number and your name, phone and specific shipping address.