





# Assembly Instruction

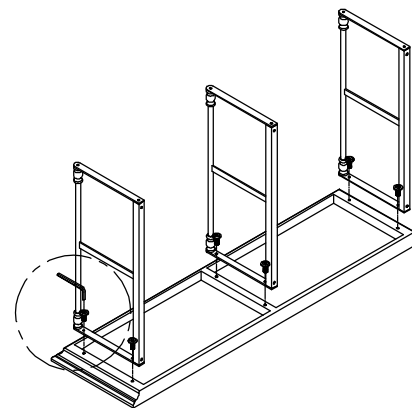
MODEL : 61624

EDITION: A

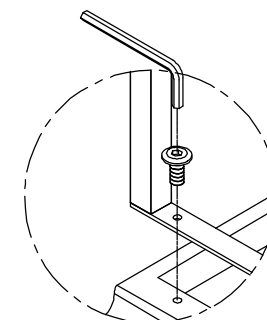
## HARDWARE LIST:

PACKAGE	DESCRIPTION	PART PHOTO	QTY	PACKAGE	DESCRIPTION	PART PHOTO	QTY
1/1	ALLEN KEY φ4		1PC				
	SCREWS M6*16		12PCS				
	ALLEN KEY φ5		1PC				
	SCREWS M8*30		6PCS				


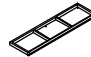

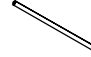


## STEP 1



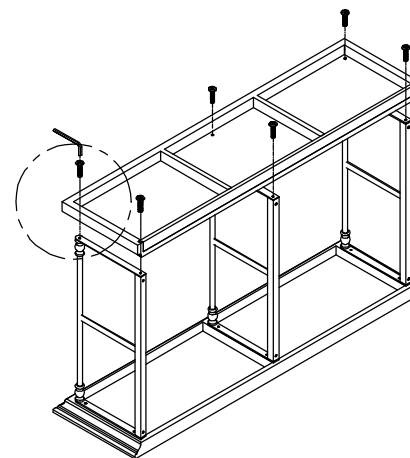
(φ4  1PCS)  
(M6\*16  6PCS)





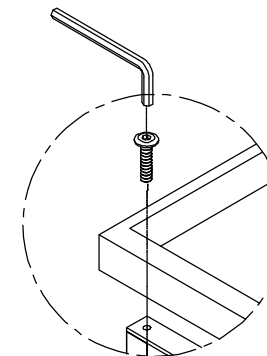
## PART LIST:

PACKAGE	DESCRIPTION	PART PHOTO	QTY	PACKAGE	DESCRIPTION	PART PHOTO	QTY
1/1	TOP		1PC				
	BOTTOM		1PC				
	SHELF		1PC				
	SUPPORTING BAR		4PCS				
	FRAME		3PCS				
	HARDWARE		1PC				

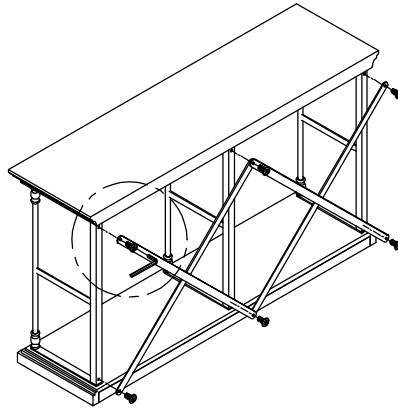
## STEP 2



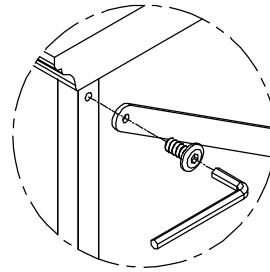
(φ5  1PCS)  
(M8\*30  6PCS)



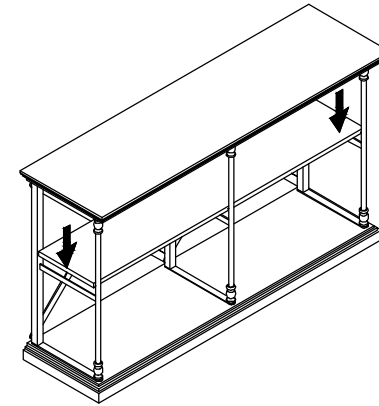
STEP 3



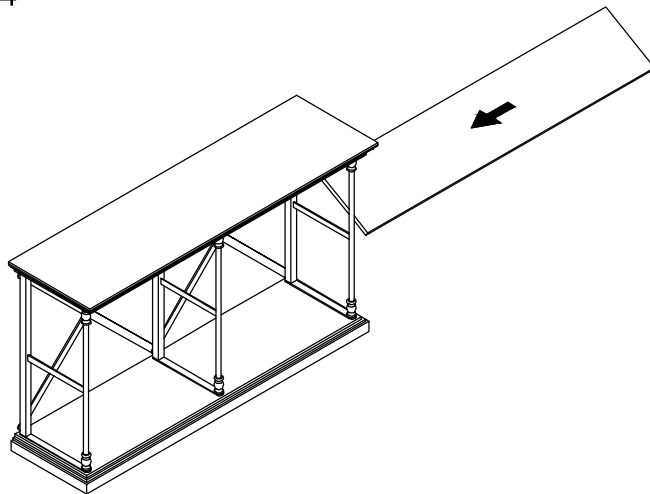
( $\phi 4$  1PCS)  
(M6\*16 6PCS)



STEP 5



STEP 4



FINISH

