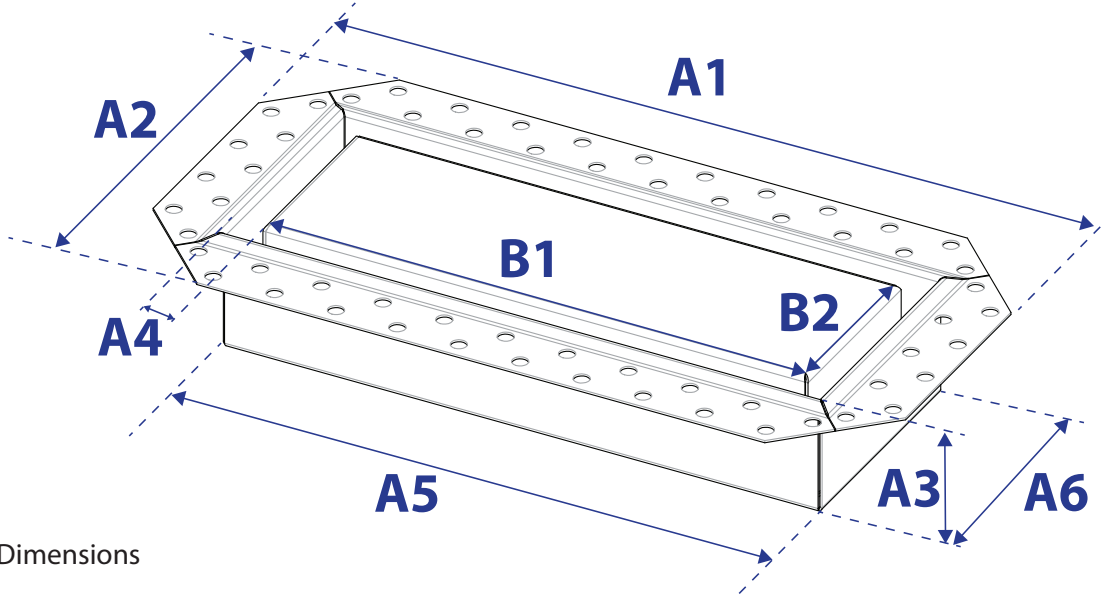




## Flush Wall Vent [Luxe] Supply Specification Sheet

Perspective View



### Component Dimensions

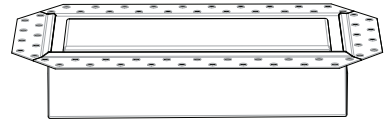
Imperial

|    | 3"x10"   | 4"x10"  | 4"x12"  | 6"x10"  | 6"x12"    | 6"x14"    | 8"x8"   |
|----|----------|---------|---------|---------|-----------|-----------|---------|
| A1 | 12 1/4"  | 12 1/4" | 14 1/4" | 12 1/4" | 14 3/16"  | 16 1/4"   | 10 1/2" |
| A2 | 5 3/8"   | 6 3/16" | 6 3/16" | 8 3/16" | 8 3/16"   | 8 1/4"    | 10 1/2" |
| A3 | 1 7/8"   | 1 7/8"  | 1 3/4"  | 1 3/4"  | 1 7/8"    | 1 7/8"    | 2 1/2"  |
| A4 | 13/32"   | 15/32"  | 3/8"    | 3/8"    | 1/2"      | 1/2"      | 5/8"    |
| A5 | 9 3/4"   | 9 3/4"  | 11 3/4" | 9 3/4"  | 11 3/4"   | 13 3/4"   | 7 7/8"  |
| A6 | 2 7/8"   | 3 3/4"  | 3 3/4"  | 5 3/4"  | 5 3/4"    | 5 3/4"    | 7 7/8"  |
| B1 | 8 13/16" | 8 7/8"  | 10 7/8" | 8 7/8"  | 10 11/16" | 12 11/16" | 6 1/2"  |
| B2 | 2"       | 2 7/8"  | 2 7/8"  | 4 7/8"  | 4 11/16"  | 4 11/16"  | 6 1/2"  |

Metric

|    | 3"x10" | 4"x10" | 4"x12" | 6"x10" | 6"x12" | 6"x14" | 8"x8" |
|----|--------|--------|--------|--------|--------|--------|-------|
| A1 | 311mm  | 311mm  | 362mm  | 311mm  | 361mm  | 412mm  | 267mm |
| A2 | 137mm  | 158mm  | 159mm  | 209mm  | 209mm  | 209mm  | 267mm |
| A3 | 48mm   | 48mm   | 44mm   | 44mm   | 48mm   | 48mm   | 64mm  |
| A4 | 10mm   | 12mm   | 10mm   | 10mm   | 12mm   | 12mm   | 16mm  |
| A5 | 248mm  | 248mm  | 298mm  | 248mm  | 298mm  | 349mm  | 200mm |
| A6 | 73mm   | 95mm   | 95mm   | 146mm  | 146mm  | 146mm  | 200mm |
| B1 | 224mm  | 226mm  | 276mm  | 226mm  | 271mm  | 322mm  | 165mm |
| B2 | 51mm   | 73mm   | 73mm   | 124mm  | 119mm  | 119mm  | 165mm |

Side View



### Components

**Tray:** Powder coated surface to be finished with paint or wallpaper. Can slide and remove to access air flow dampers.

**Body:** Corner bead edge to be fastened to surface and finished with drywall mud.

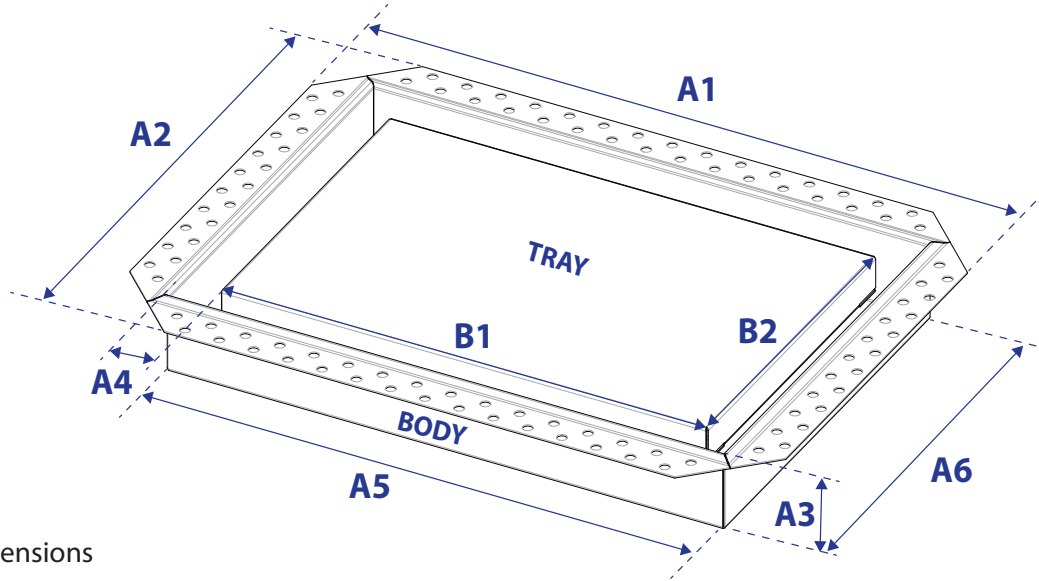
### Air Flow Control

Air flow can be controlled at any time after install. Slide tray to access flanges. For optimal airflow open all dampers beyond 90°.



## Flush Wall Vent [Luxe] Return Specification Sheet

### Perspective View



### Component Dimensions

#### Imperial

|    | 10"x10"  | 12"x12"  | 14 1/4"x10" | 30 1/4"x10" |
|----|----------|----------|-------------|-------------|
| A1 | 12 1/4"  | 14 3/8"  | 16 13/16"   | 32 3/4"     |
| A2 | 12 1/4"  | 14 3/8"  | 12 7/16"    | 12 1/2"     |
| A3 | 1 3/4"   | 1 3/4"   | 1 3/4"      | 1 3/4"      |
| A4 | 7/8"     | 7/8"     | 7/8"        | 7/8"        |
| A5 | 9 3/4"   | 11 3/4"  | 14 1/4"     | 30 1/4"     |
| A6 | 9 3/4"   | 11 3/4"  | 10"         | 10"         |
| B1 | 7 15/16" | 9 15/16" | 12 7/16"    | 28 1/2"     |
| B2 | 7 15/16" | 9 15/16" | 8 3/16"     | 8 1/4"      |

#### Metric

|    | 10"x10" | 12"x12" | 14 1/4"x10" | 30 1/4"x10" |
|----|---------|---------|-------------|-------------|
| A1 | 311mm   | 365mm   | 425mm       | 832mm       |
| A2 | 311mm   | 365mm   | 317mm       | 317mm       |
| A3 | 44mm    | 44mm    | 44mm        | 44mm        |
| A4 | 22mm    | 22mm    | 22mm        | 12mm        |
| A5 | 248mm   | 298mm   | 362mm       | 768mm       |
| A6 | 248mm   | 298mm   | 248mm       | 248mm       |
| B1 | 202mm   | 252mm   | 317mm       | 724mm       |
| B2 | 202mm   | 252mm   | 209mm       | 209mm       |

### Side View



### Components

**Tray:** Powder coated surface to be finished with paint or wallpaper. Can slide and remove to access air flow dampers.

**Body:** Corner bead edge to be fastened to surface and finished with drywall mud.

### Air Flow Control

Air flow can be controlled at any time after install. Slide tray to access flanges. For optimal airflow open all dampers beyond 90°.