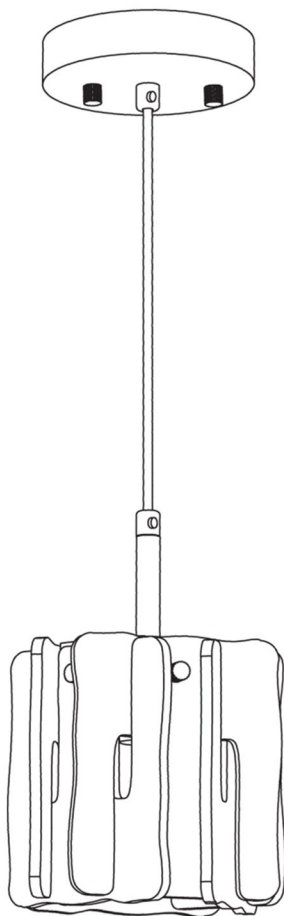


DREAMS

IDEA

Instruction Manual



DREAMS/DEA

NO.50008GD-GRAY



ASSEMBLY INSTRUCTIONS

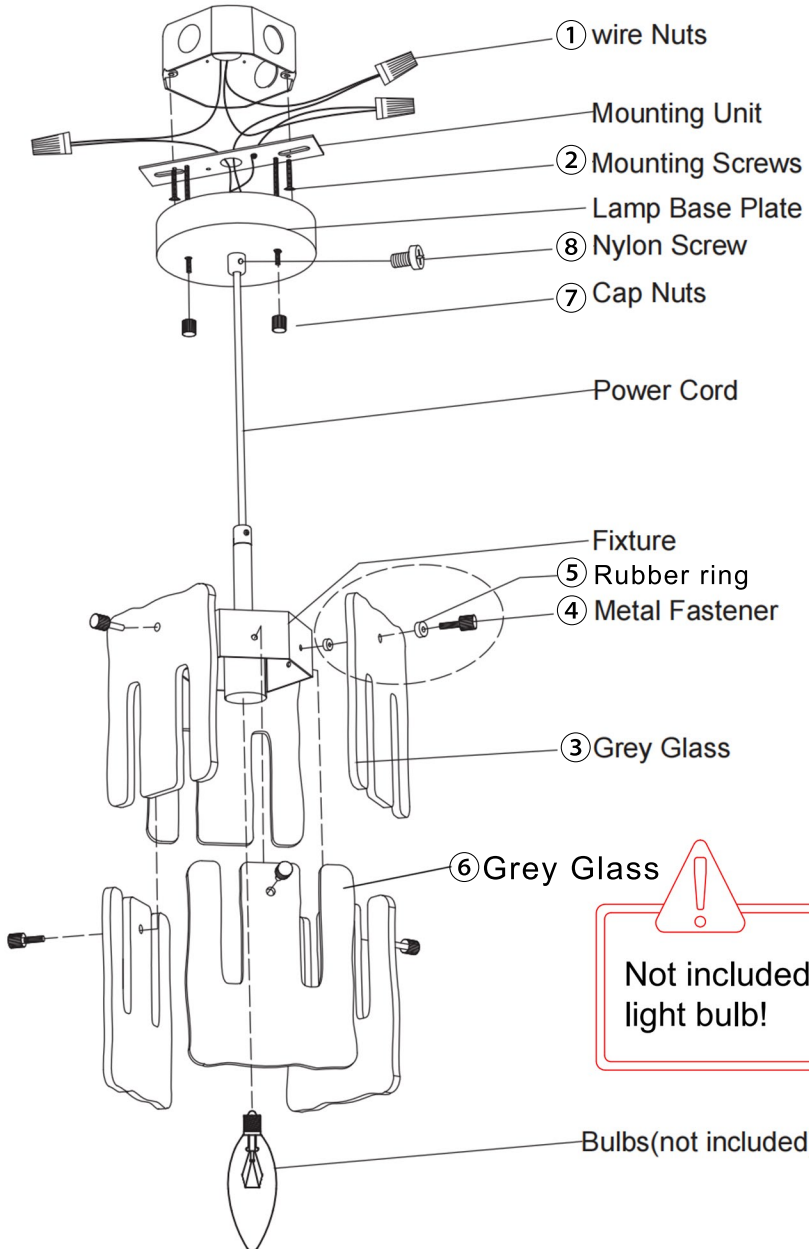
Tel.(562)-781-3327



Please contact us:info@firstopintl.com

<https://www.dreamsidea.com>

EXPLODED

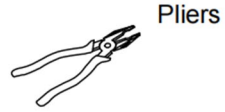
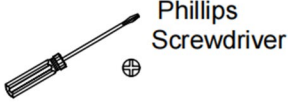
VIEW




Not included the
light bulb! 

PARTS

TOOLS REQUIRED(NOT INCLUDED)



HARDWARE INCLUDED

①*3



Wire Nuts

④*6



Metal fastener
(Pre-installed)

⑦*2



Cap Nuts
(Pre-installed)

②*2



Mounting screws
(Pre-installed)

⑤*12



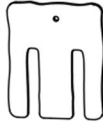
Rubber ring
(Pre-installed)

⑧*1



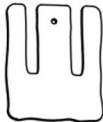
Nylon Screw
(Pre-installed)

③*3

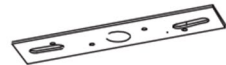


Glass panels

⑥*3



Glass panels



Mounting unit

ATTENTION

Please inspect the wires before installation, if the wire shows any cut or abrasion, or has exposed copper wires, **DO NOT** use the fixture, it might be caused during transportation or defect product.

Before starting installation of the fixture, please remove the previous fixture (if any).

Disconnect the power by turning off the electric break for your property (Please ask for professional help if needed).

MAINTAINANCE AND WARNING

Verify the lamp model suits the environment (indoor/outdoor, IP rating) and check all accessories (body, screws, cord, manual).

Only use with bulbs of the recommended type and wattage. Exceeding the maximum wattage may cause overheating or fire.

Do not install the fixture if any part is damaged or missing. Contact the manufacturer or seller for replacement parts.

The fixture may become hot during use. Allow to cool before handling.

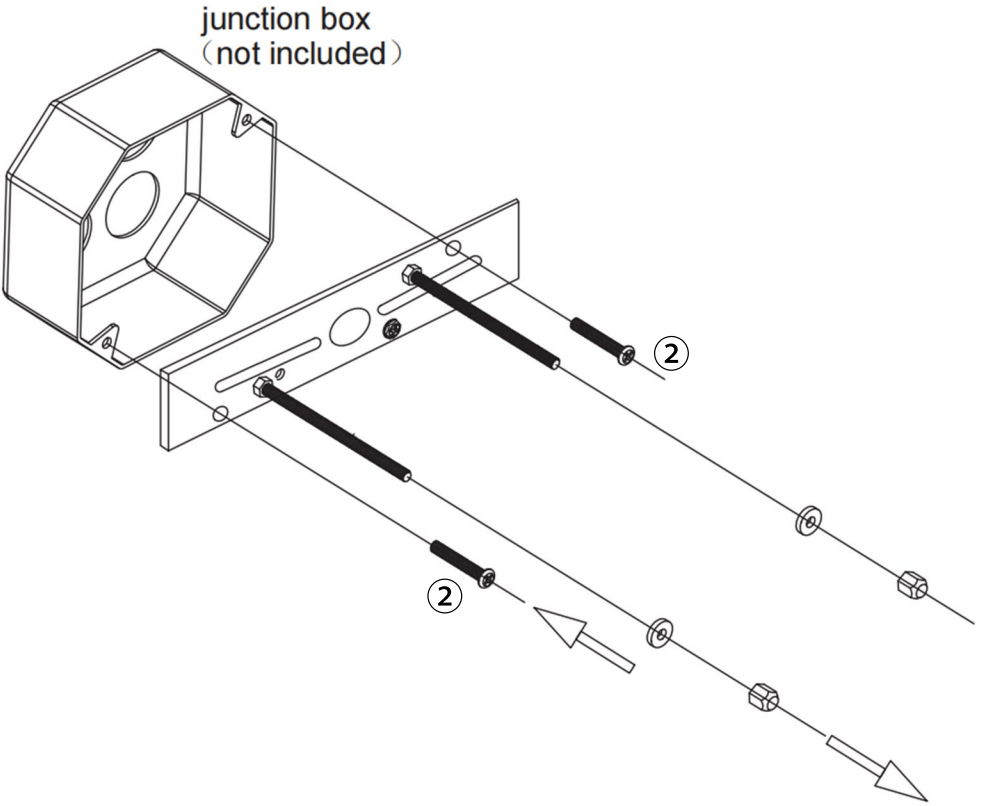
Clean dust accumulation in recessed lamps regularly (to prevent overheating), but only when powered off; never rinse with water.

If the fixture includes a dimmer switch, ensure it is compatible with the fixture before installation.

Do not modify the fixture in any way; tampering with electrical components can result in malfunction or risk of fire.

step 1 ---Mounting Unit Setup

Remove the cap nuts and washers from the mounting unit. Then, use the mounting screws(2) to attach the mounting unit securely to your junction box.



step 2 ---Electrical Wiring

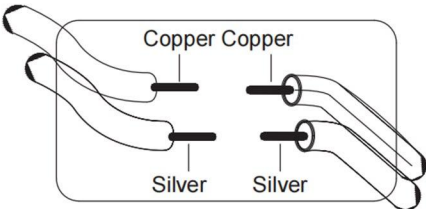
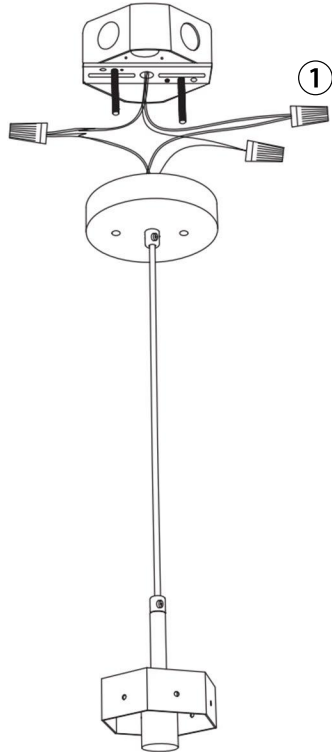
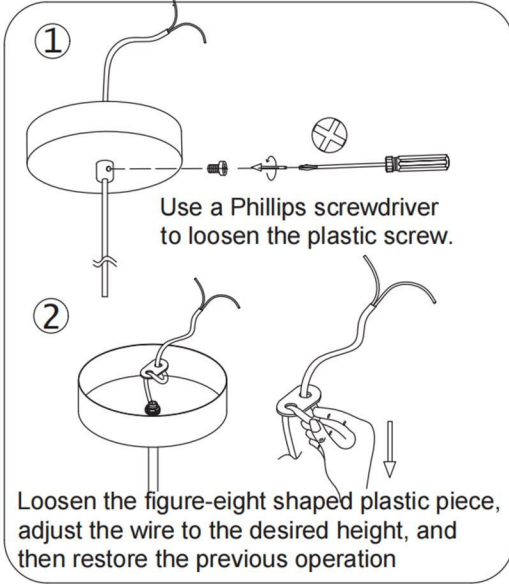
Connect the wires from the junction box to the fixture. Attach the ground wire to the green screw on the mounting unit. Connect the positive and negative wires using the provided wire nuts, and wrap them with electrical tape for safety.

Connect Clear, Brown, Gold or Black Parallel Wire without tracer (round & smooth) or Black Fixture Wire to:

Black or Red Supply Wire or Insulated Wire (other than green) with copper conductor.

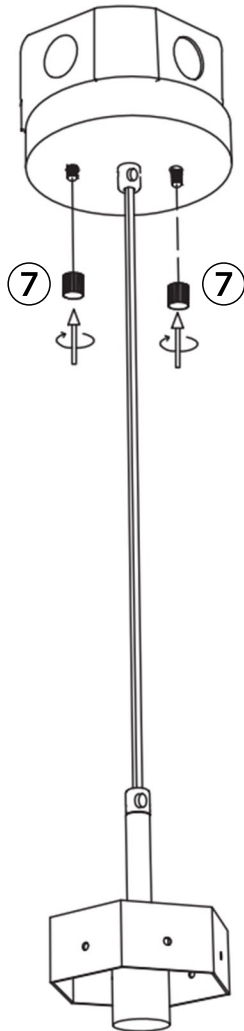
Connect Clear, Brown, Gold or Black *Parallel Wire with tracer (square & ridged) or White Fixture Wire to:

White Supply Wire or insulated Wire (other than green) with silver conductor



step 3 ---Backplate Installation

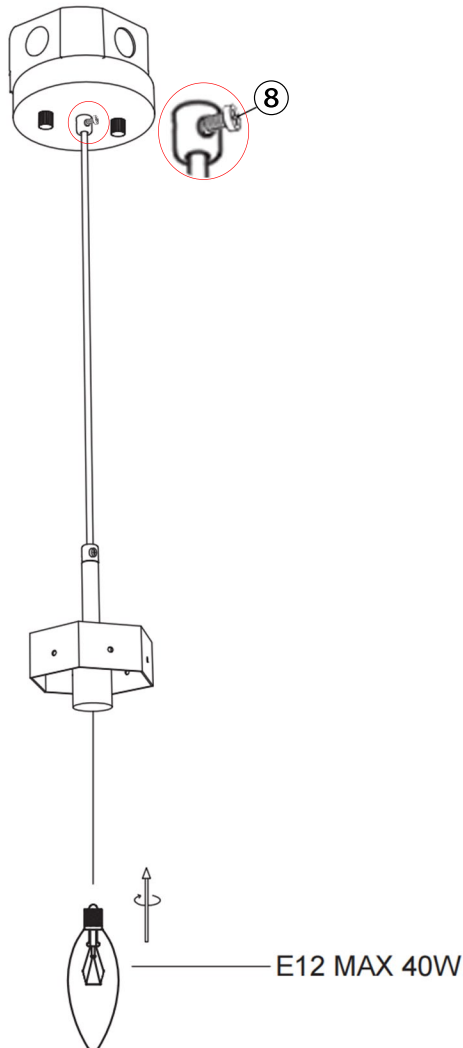
Tuck all wire nuts into the junction box. Align the fixture backplate with the bolts on the mounting unit. Slide it on and tighten it securely using the washers and cap nuts.



step 4 ---Bulbs and Tubes

Tighten the Nylon screws (8) .

Install the light bulbs (E12, max 40W) into the sockets. Then, screw the decorative metal tubes into the bottom of the lamp body until they are firm.

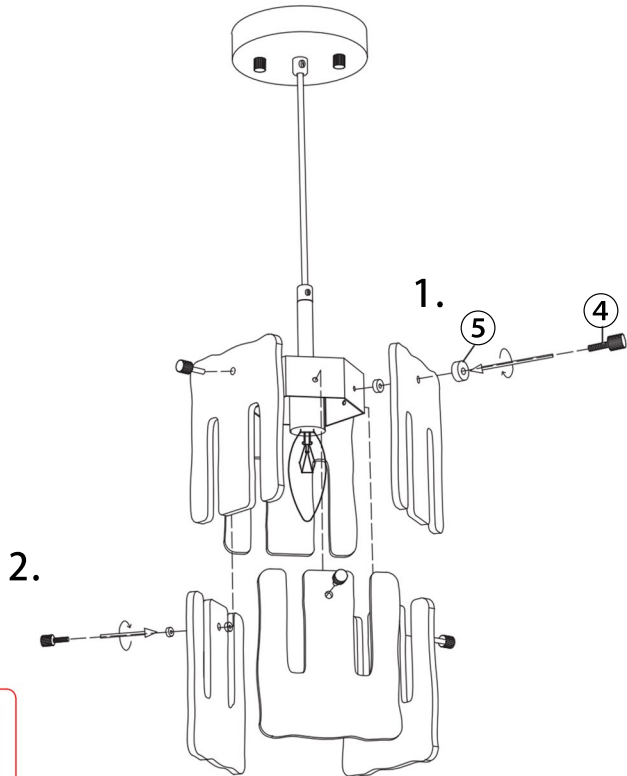
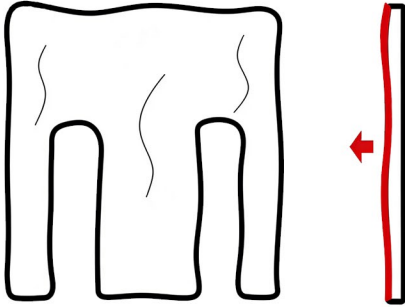


step 5 ---Glass Panel Assembly

Remove the nuts from the light.

First, attach the glass panels(3) with the grooves facing up and secure them loosely with nuts. Next, slide the second set of glass panels(6) (grooves facing down) into the first set. Finally, tighten all nuts securely to complete the installation.

The **concave** and **convex** surfaces face **outward**.



Note:

All glass panels have a **front** and **back** side. Please place the flat side against the hexagonal lamp body.

Place a **rubber spacer** between the glass and the metal hardware to **protect** the glass.

step 6 ---Assembly complete

Congradulations! You have finished the assembly, thank you again for choosing our product! Please enjoy!

