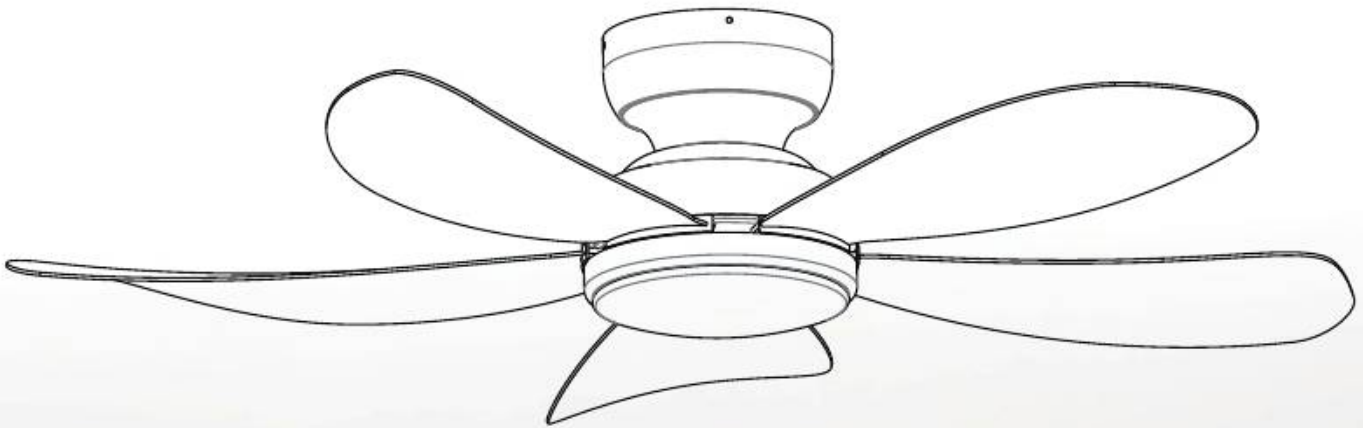


# OWNER'S MANUAL

READ AND SAVE THESE INSTRUCTIONS



Model No: 8239

## Flush Mount Ceiling Fan with Light

User Manual

### GET MORE SUPPORT

Should you experience any issues while operating any of our products, you can directly reach out to our Customer Support via Amazon Orders Or you can send your inquiry to our Official Customer Support at:



Email: [uroadmin@urogoo.com](mailto:uroadmin@urogoo.com) Phone: (657)384-1547



**PLEASE KEEP CHILDREN AND PETS AWAY.**

Contains screws, magnets, please keep away children/pets to avoid accidental ingestion.



# SAFETY INFORMATION

## WARNING

To avoid fire, shock and serious personal injury, please read the following instructions carefully. Important Safety Instructions.

- Before installing the fan, disconnect the power by removing fuses or turning off circuit breakers.
- Make sure the installation site you choose allows a minimum of 7.5 feet from the blades to the floor and at least 30 inches from the tip of the blades to any obstruction.
- The outlet box and its support must be able to support the moving weight of the fan (at least 45kgs.). Do not use a plastic outlet box.
- Attach the mounting bracket by using the hardware supplied with the ceiling outlet box.
- After installing the fan, make sure all the connections are secured. This will prevent the fan from falling.
- Do not insert anything into the fan blades while the fan is operating.
- Turn the fan off and wait for it to stop before reversing fan direction.
- To reduce risk of electrical shock and personal injury, do not install the fan on a sloped ceiling.
- To reduce the risk of electrical shock and personal injury, do not use this fan with any solid-state.
- To reduce risk of personal injury, use only the two steel screws and lock washers provided with the fan for mounting the outlet box.

## Risk Of Electric Shock

- Before you start installing this ceiling fan, disconnect the power supply by turning off the circuit breaker. (see the picture at the next page.)
- All electrical connections must be in accordance with local and National Electric Code (N.E.C.) standards and ANSI/NFPA 70.
- Consult a qualified electrician if you are unfamiliar with proper electrical wiring connections.
- Do not alter, re-locate or remove wiring when nothing goes wrong with the product.
- Double-check all connections and screws to be sure they are tight and correct.
- Verify whether the supply voltage is correct by comparing it with the product information.

## Risk Of Injury

- Keep all the parts of this product away from children. The package contains many small or heavy parts that may bring the risk of choke or injury.
- Make sure to install all parts firmly enough in case they fall while running. Carefully check all screws, bolts, and washers on the fan assembly to ensure they are secured.
- Wear safety gloves and safety glasses always when installing or removing the light or the fan, or performing maintenance.
- Some parts of the components are sharp and may hurt your hands, please make sure you are wearing safety gloves when touching and installing the components.
- Wear rubber-soled shoes and work on a sturdy ladder.

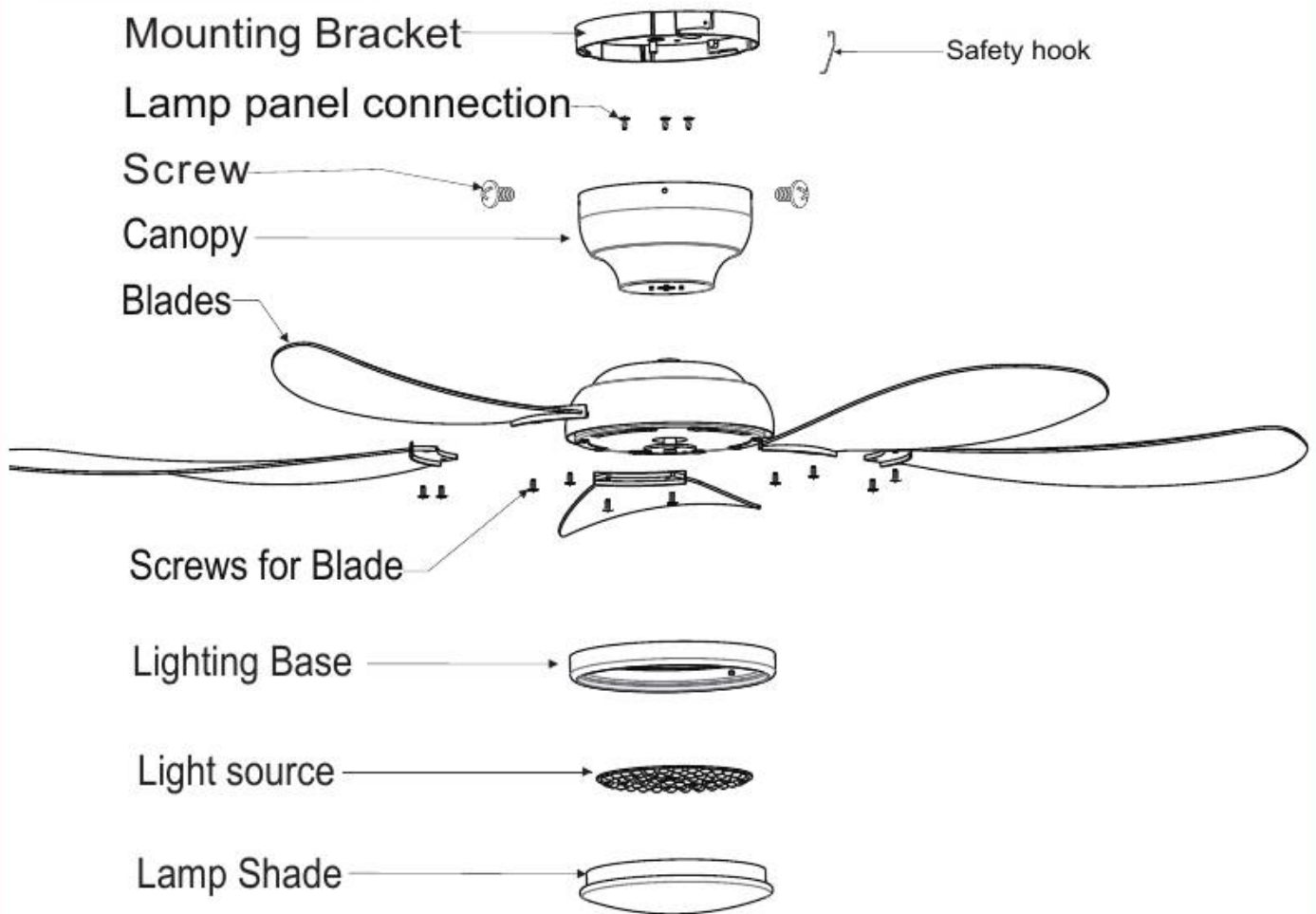
## Maintenance And Cleaning

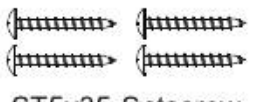


- Periodically cleaning your ceiling fan is the only required maintenance. Use a soft brush or lint free cloth to avoid scratching the paint. Please turn off the electricity power before you clean your fan.
- Do not use water when cleaning your ceiling fan. It could damage the motor or the blades or even evoke an electrical shock.
- The motor has permanently lubricated ball bearing.
- No need to oil.

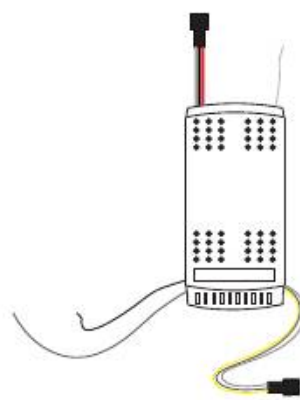
**MAKE SURE THE POWER IS OFF IN THE ELECTRICAL PANEL BOX BEFORE YOU DO ANY CLEANING OR REPAIRS**

# BEFORE YOU START

## Product Instruction



Item no.	Reference Image	Qty.
1	 ST5x35 Setscrew	x4
2	 Expansion Screw	x4
3	 Screws for Blades	x10



Receiver



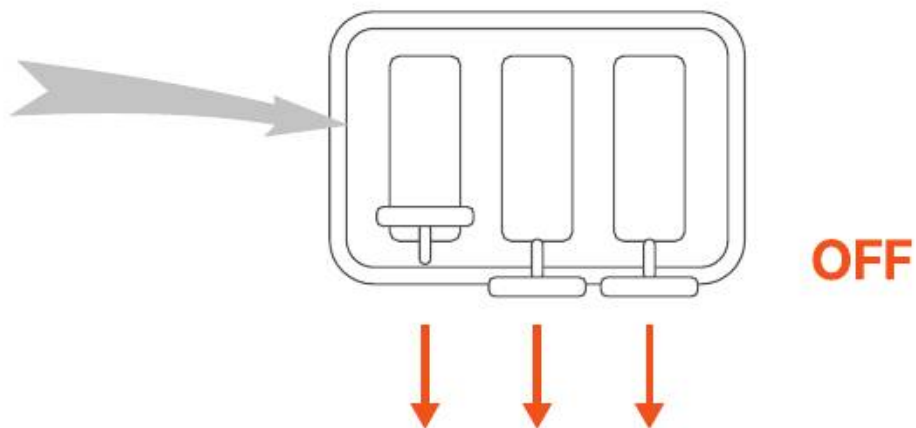
Remote Control



## PRE-INSTALLATION ADVICE

### WARNING

To avoid serious injury or death, turn off the power at the circuit breaker before installing the fan.



### TOOLS NEEDED



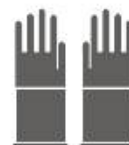
Phillips Screwdriver



Wire Stripper



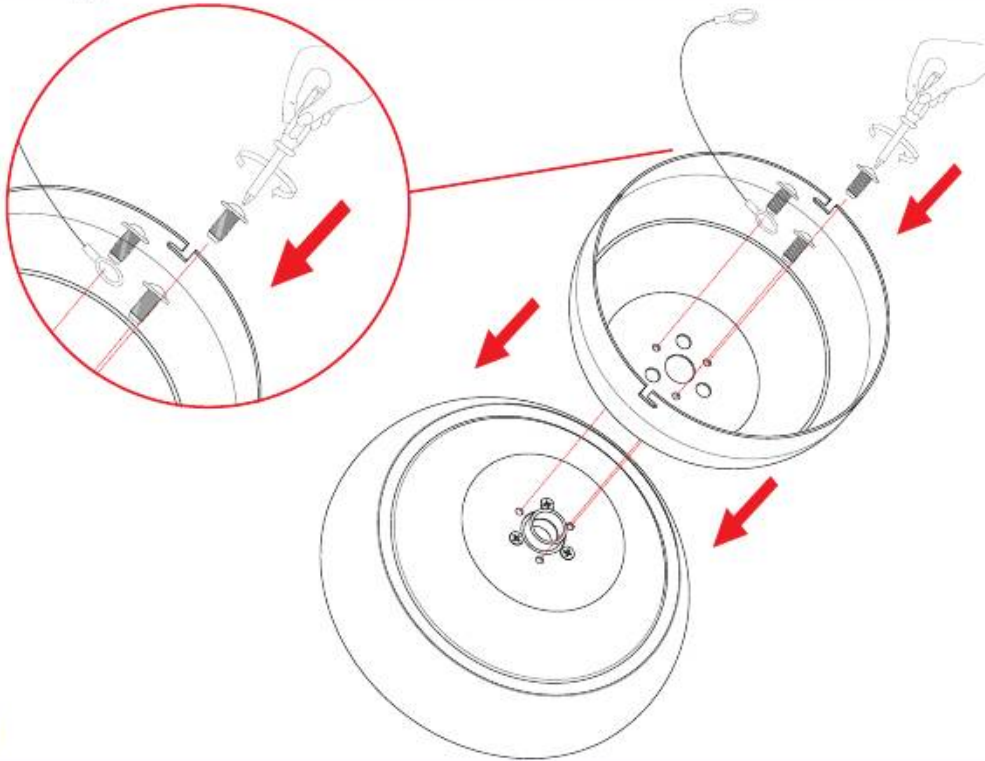
Step Ladder



Safety Gloves

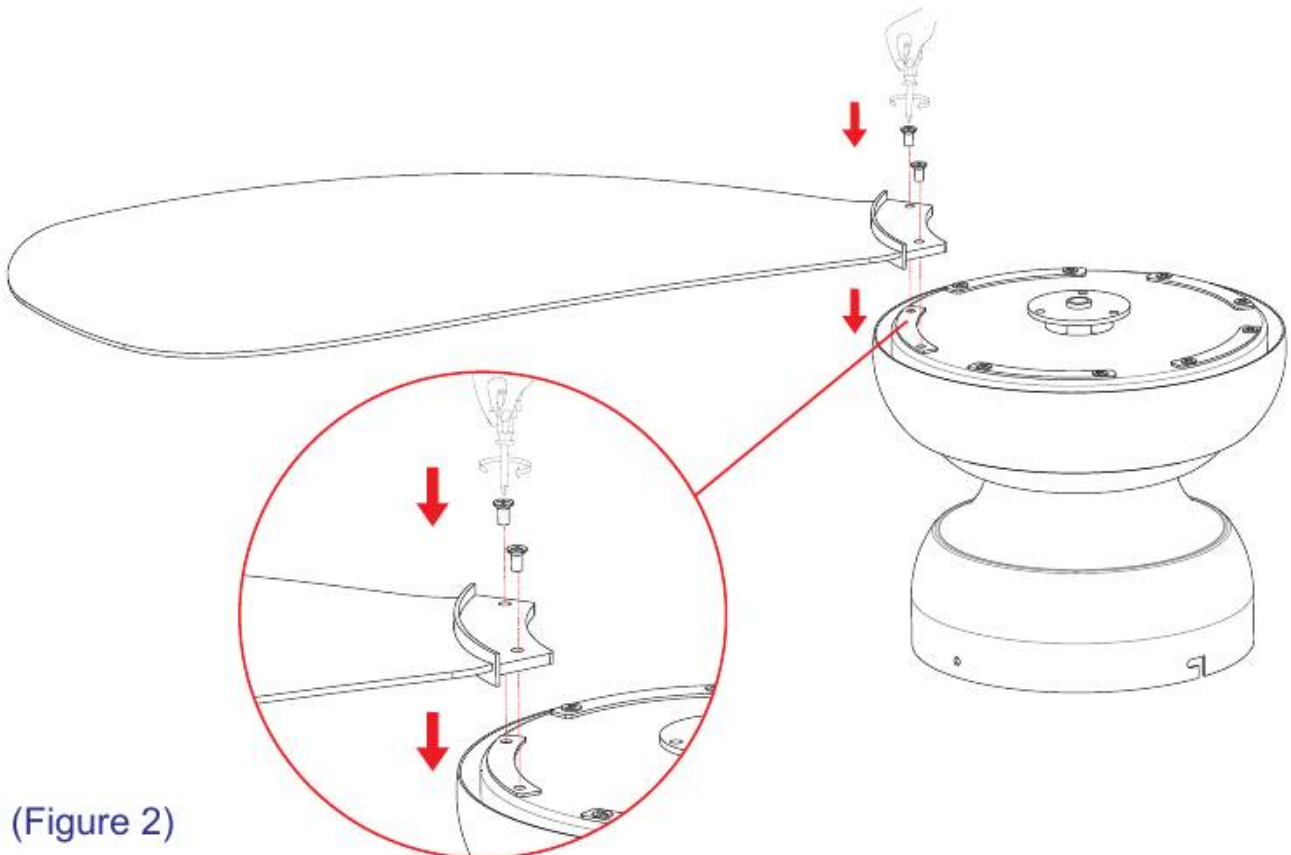
# ASSEMBLY DRAWING & PARTS LIST-WITH LIGHT

1. Install canopy onto the motor.



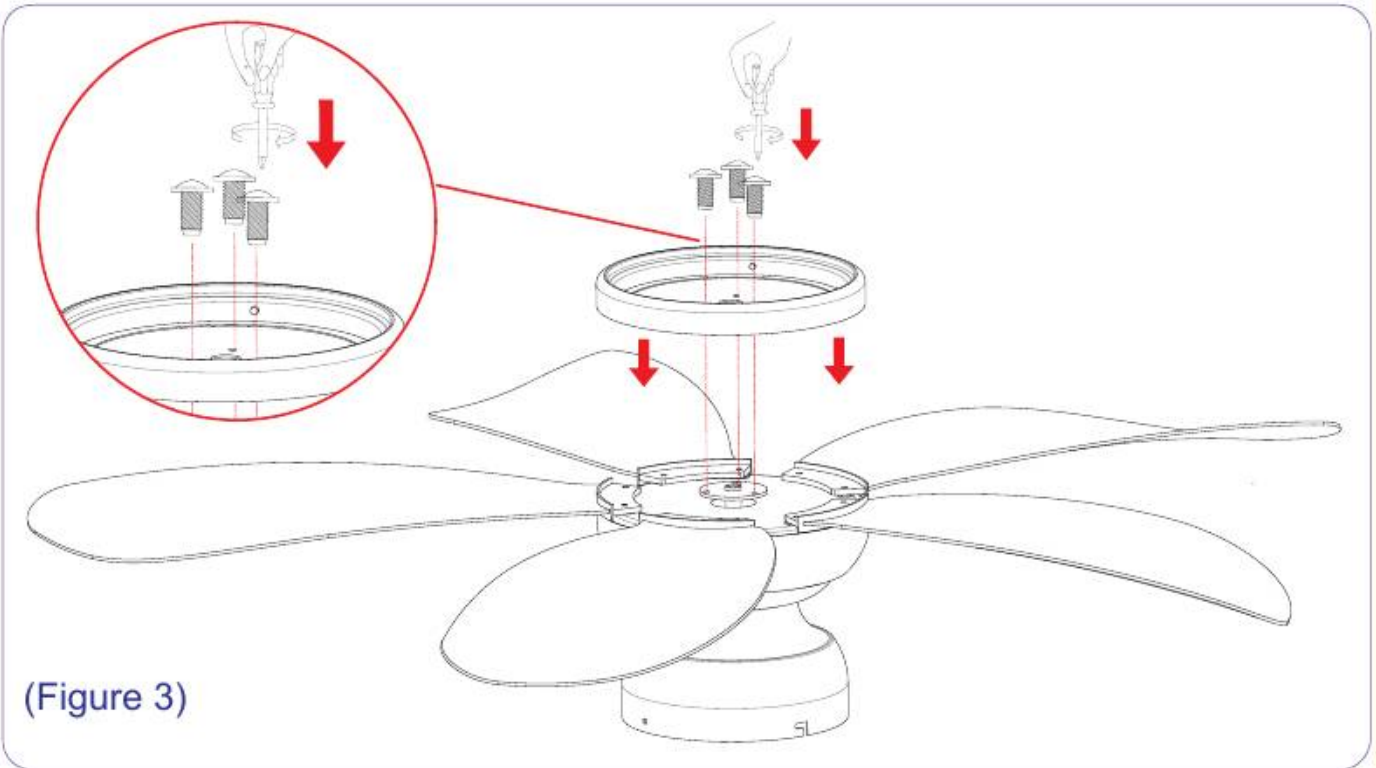
(Figure 1)

2. Remove the screws locked on the side of the motor. And install the fan blades onto the motor with screws.

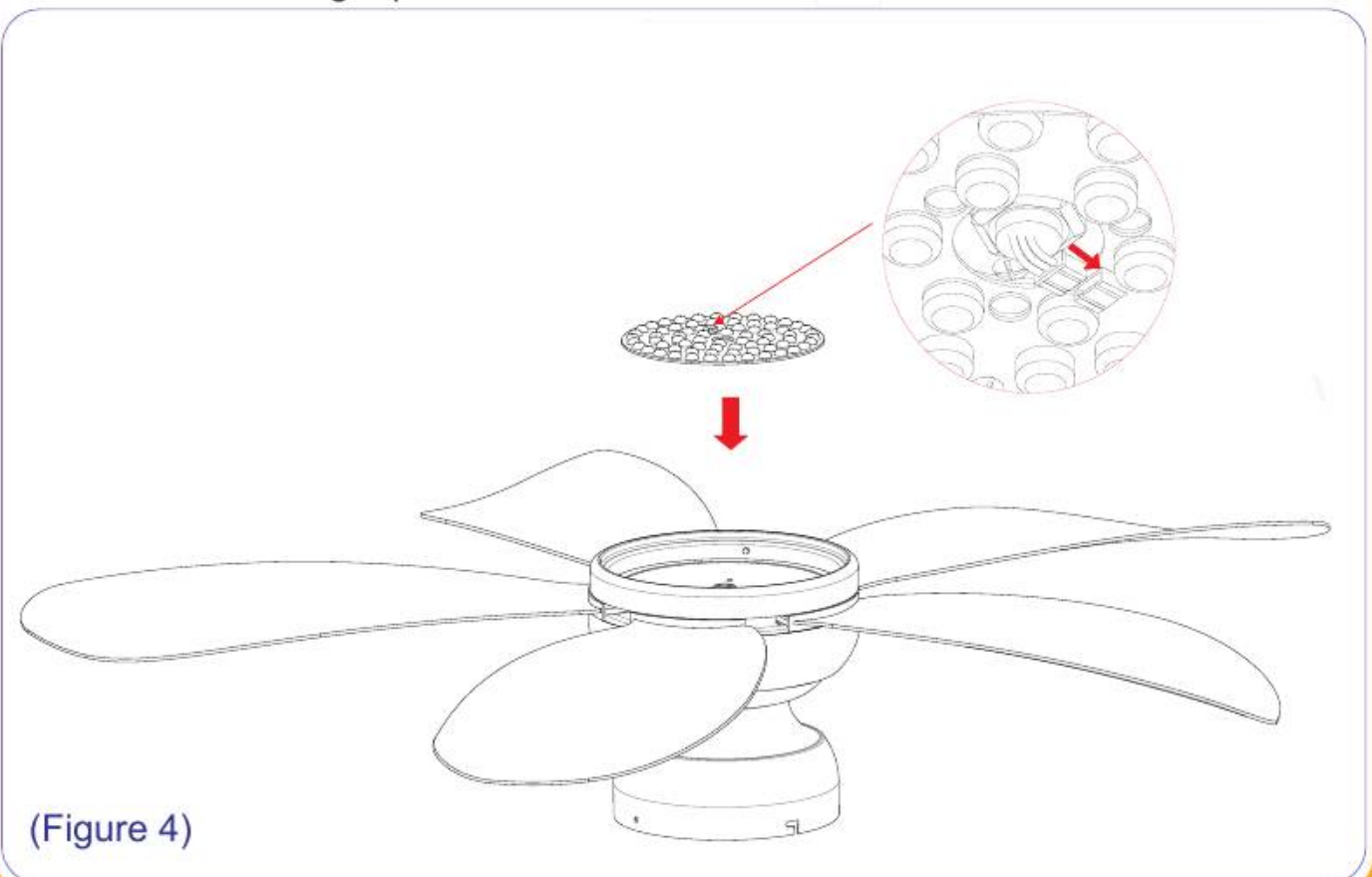


(Figure 2)

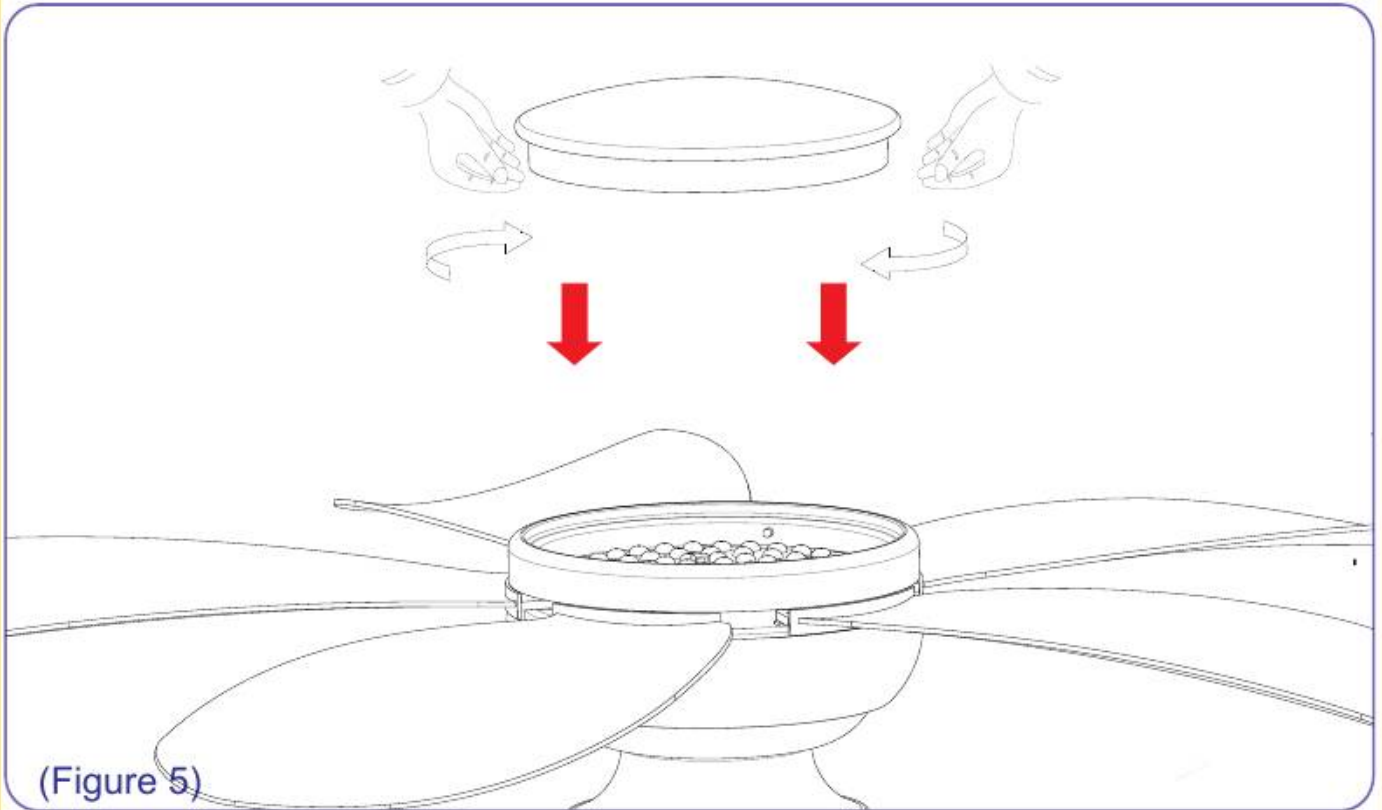
3. Fix the lighting base to the motor with 3 screws.



4. Install the LED light panel.



5. Install the lampshade.



## INSTALLING THE FAN

Tools Required : Phillips screwdriver , a pair of pliers , straight slot screwdriver , adjustable wrench , step ladder , and wire cutters

### INSTALLING THE MOUNTING BRACKET

The ceiling fan must be installed in the location where there is 12" (300mm) spacing from the tips of all blades to the nearest objects or walls. **REMEMBER** to turn off the power before hanging the fan. Follow the instruction below to hang your fan properly:

1. For concrete ceiling, drill two holes in the ceiling and secure the mounting bracket to the ceiling with two  $\Phi$  0.32" (8mm) (distance between the two holes should be appropriate) expansion screws at washers nuts provided and tighten with a spanner.

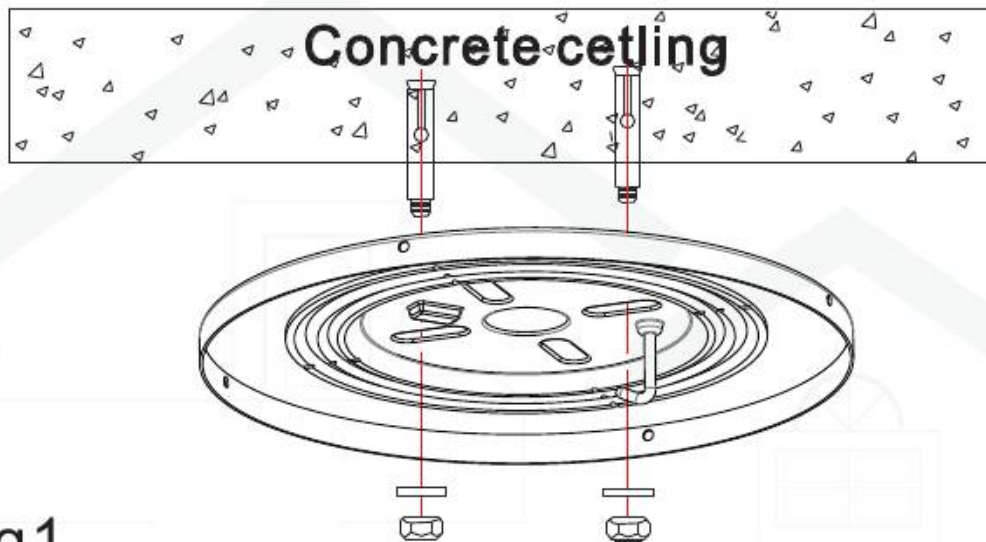


Fig1

2. For wood ceiling, secure the mounting bracket to the ceiling that is capable of carrying a load of at least 100lbs (45kgs) with two long mounting screws and washers provided. Be sure at least 0.12" (30mm) of the screw is threaded into the support.

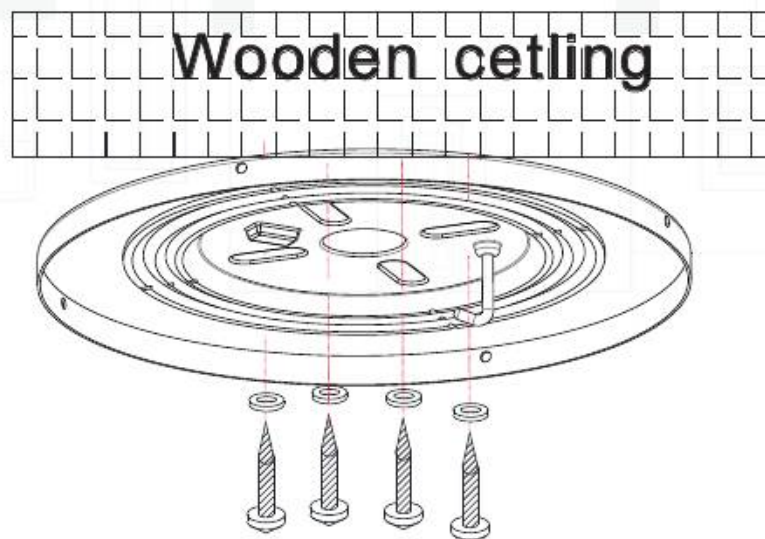
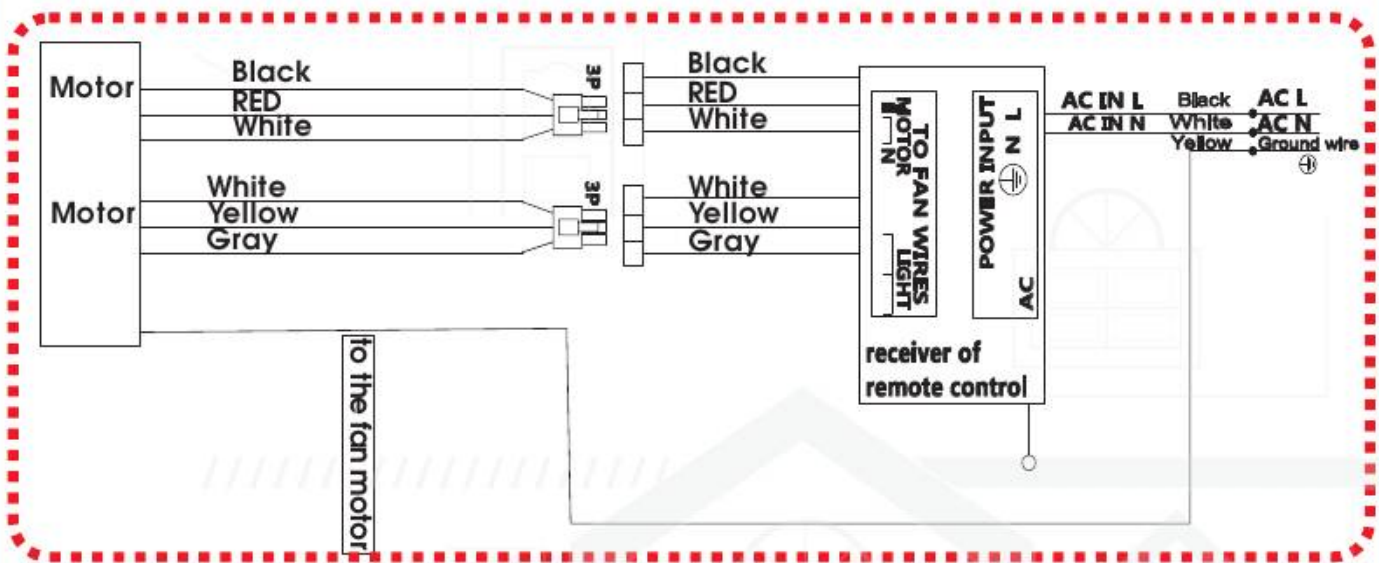
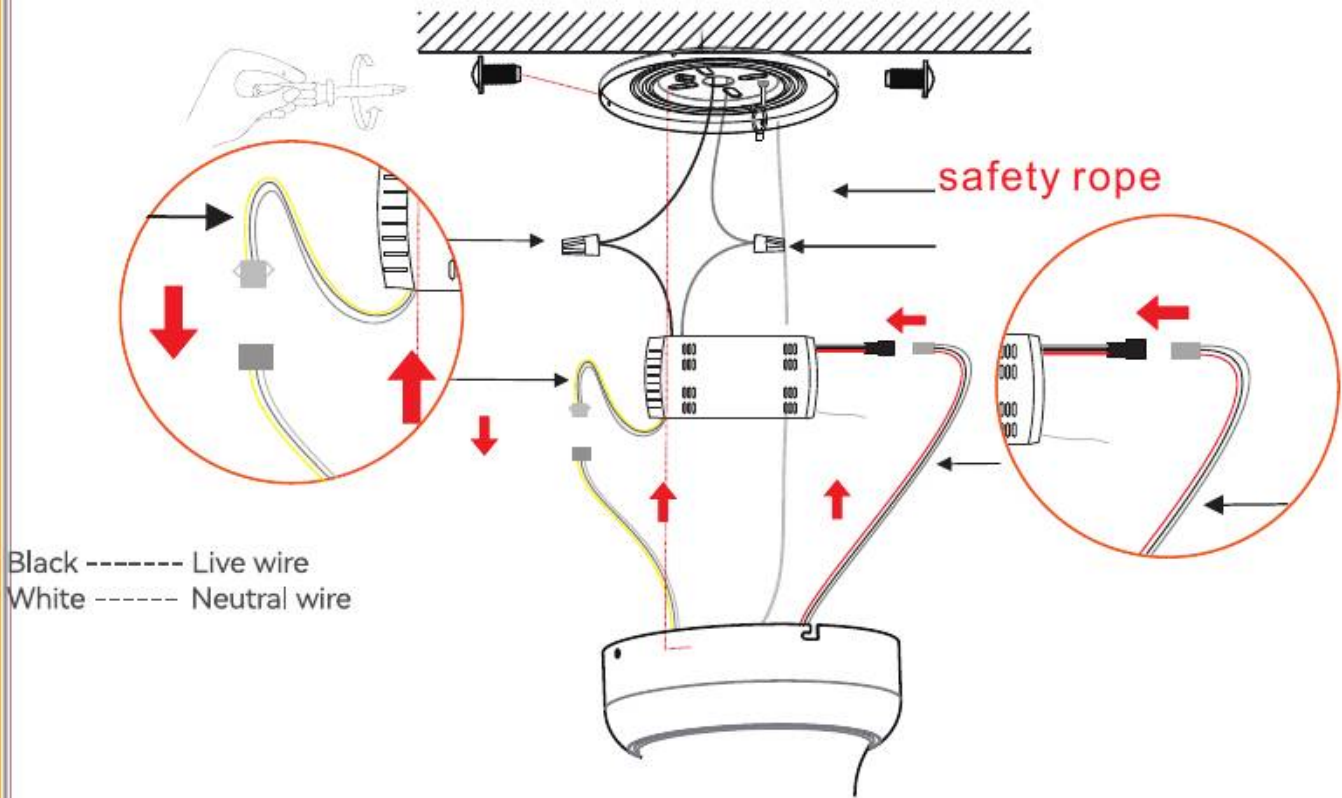


Fig2

# MAKE THE ELECTRIC CONNECTIONS

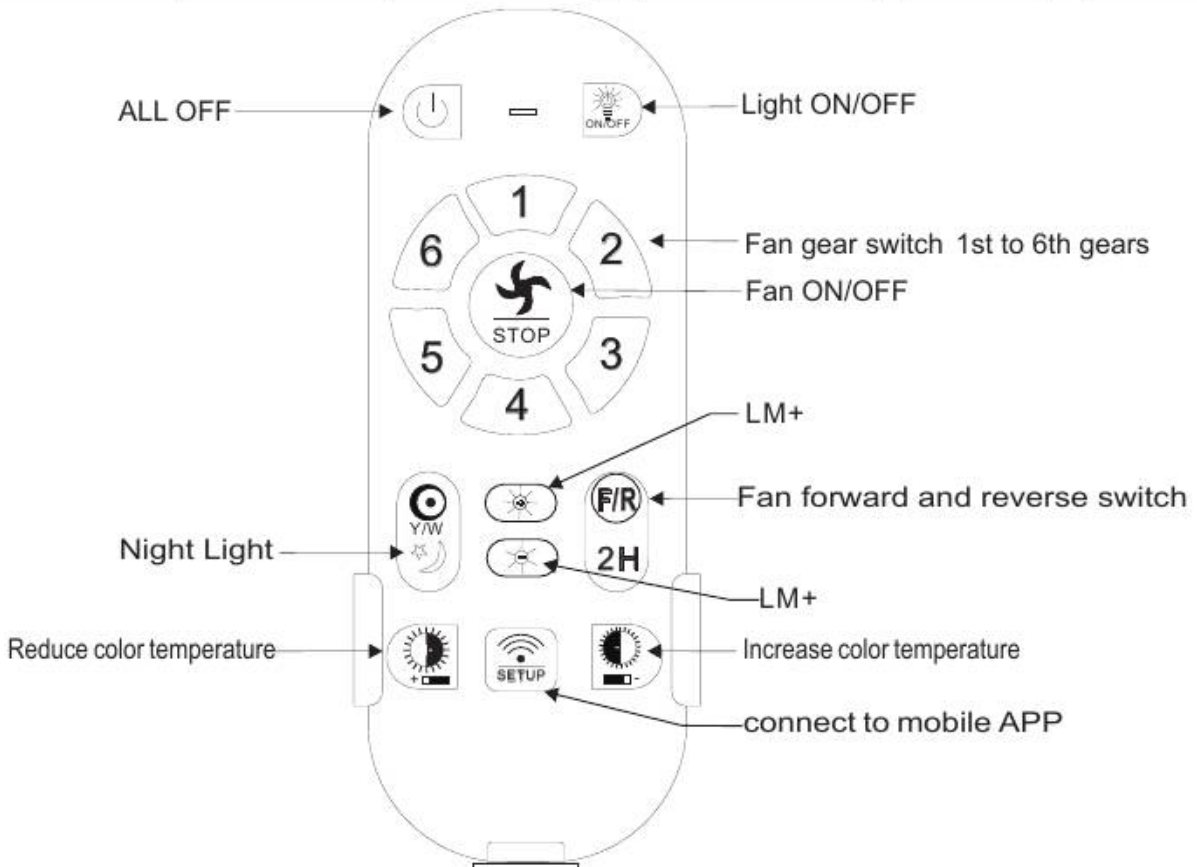
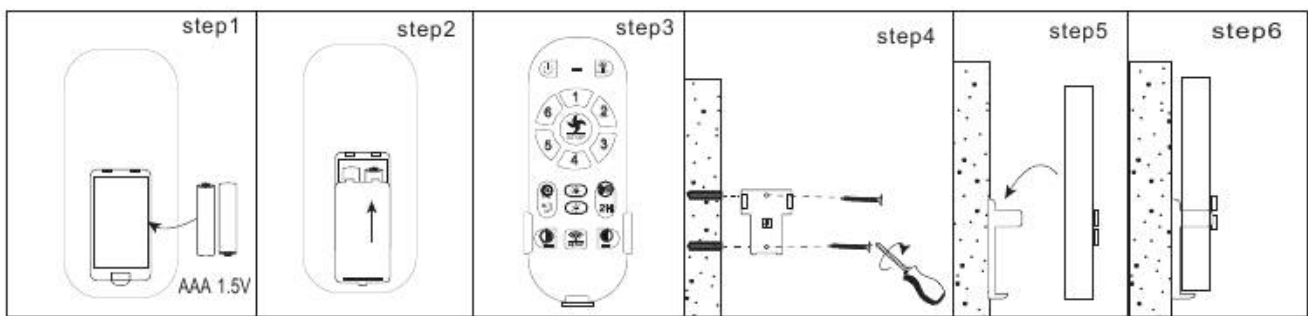
**WARNING** To avoid possible electrical shock, be sure the electricity is turned off in the main fuse box before wiring

1. Connect the black wire on the motor to the live wire in the room, the white wire on the motor to the natural wire in the room, and connect the yellow ground wire on the ceiling mounting plate to the ground wire in the room
2. Connect the same color wire on the receiver and fan body together
3. After wiring is completed, fix the fan lamp body onto the hanging board with screws



1. Restore electrical to the outlet box by turning the electricity on at the main fuse box.
2. Remove the battery cover from the remote control transmitter, install the battery, and replace the cover.  
 Note:
  - 1). Use AAA 2 1.5V battery to replace battery.
  - 2). If not using for long periods of time, remove the battery to prevent damage to the remote transmitter, and store the remote transmitter away from excess heat or humidity.
3. The buttons on the remote control transmitter control the fan speed and light as follows.

## Remote Control ( Esmmitter ) Operation





# BLUETOOTH CONTROL

## APP OPERATION



1. Download the APP scan the QR code → open the browser → select the version to download
2. Open the APP → select a room → Click on (+) → select "fan light" → enter the equipment name (such as fan light) → OK
3. Click on ☰ enter

1. Language (Chinese and English can be selected)
2. Scan (scan the other party's QR code to share device control)
3. My QR code (you can share it with the other party)
4. Room management (room name can be added)
5. Instructions (Choose the second interface fan light, instructions for using various symbols of the device)
6. Check for updates
7. Feedbackpoint to enter

## APP BUTTON FUNCTION DESCRIPTION

1. Code matching button (click this button within 5 seconds of turning on the light, such as the light source flashing or the buzzer "di", it proves that the pairing code is successful; if the pairing code fails, repeat this operation).
2. After clicking, you can choose a time to turn off the device regularly.
3. After clicking, the wind blown by the fan is like the wind in nature.
4. The wind blown by the fan after clicking is suitable for sleep.
5. After clicking, the fan will rotate in the reverse direction.
6. Click to change the direction of the wind.
7. After clicking, the fan will rotate forward.
8. After clicking, the white light and yellow light will light up at the same time, but the brightness is only 10% of the maximum brightness.
9. After clicking, the white light and yellow light will light up at the same time, and the brightness is the maximum brightness.
10. After clicking, only the yellow light will light up, and the brightness is the maximum brightness.
11. After clicking, only the white light will light up, and the brightness is the maximum brightness.

# MOBILE APP CONTROL

## Download installation and operating instructions



(FIGURE 1)

### Apple phone download and installation

Scan the QR code with the mobile phone scan function, or search "FanLamp Pro" in the app store and press download to install

 (Keep Bluetooth on)



(FIGURE 2)



(FIGURE 3)



(FIGURE 4)

① Download installer (Figure 2)

② Turn on Bluetooth (Figure 3)

③ Open "FanLamp Pro" to enter the main page (Figure 4)



(FIGURE 5)



(FIGURE 6)



(FIGURE 7)

④ Press "+" to add a new fan lamp (Figure 5)

⑤ Enter the control page after creating (Figure 6)

⑥ In order to ensure that the application successfully controls the device, please click this button within 5 seconds after the device is powered on. If the device flashes or beeps, it means that the mobile phone is successfully paired with the device, and the device can be controlled through the application (Figure 7)

1. Turn "ON" the power supply and within 30 seconds press and hold the transmitters "FAN ON/OFF" button for 5 seconds and a "beep" will be heard this will then activate a successful pairing and all functions will work normally.

### **IMPORTANT:**

pairing initial step must be performed within 30 seconds of power being turned on.

1(a). when pairing multiple fans please ensure the isolation switch or power supply to the first installed fan is turned off prior to pairing further fans e.g please pair one fan at a time

1(b). please ensure isolation switch is kept to the ON position, the isolation switch is not to be used as a light switch as this will damage and make the remote receiver inoperable

2. If the transmitter functions are not working please check the battery orientation and power level. Low battery voltage will affect the functions of your transmitter and operation of your fan. Other remote controls nearby using the same frequency may cause interference with the Fans receiver.

3. Please remove batteries from the transmitter if leaving unused for an extended period of time.

4. Remote supports 200w maximum on lighting side.

## **IMPORTANT REMINDERS**

1. Please note: Receiver must be correctly installed in the mounting bracket on fan

2. When the transmitter cannot control the receiver, please check the battery has sufficient charge in the transmitter.

3. When the transmitter cannot control the receiver, please check if there is any existence of similar remote controlled products nearby, causing interference with each other.

4. Low power of battery will affect the sensitivity of the transmitter and the signal reception accordingly, must replace if the battery is getting low power.

5. Please take the battery out from the transmitter when leaving unused for a long time, to avoid battery leaks.

6. Isolation Switch "Must be connected in the line."

7. When power is cut to the unit (via a blackout or otherwise) when power is restored the light will come on.

Before carrying out any cleaning or maintenance work, always make sure that the appliance is disconnected. LED lights are not removable. LED lights can only be used within the product delivery, they can not be replaced.

## PROTECTIVE FUNCTIONS OF THE RECEIVER

**Lock protection-** The DC motor has a built-in safety feature against blade or motor obstruction during operation. If something obstructs the fan blades or motor, the motor will keep trying to run and then stop operation after about 30 seconds of interruption. Please remove obstacles and reset. To reset: Turn the fan off by remote transmitter and then turn the fan on.

**Over load protection (current limit)-** The device will limit the maximum current output from the receiver/drive if the fan load has increased abnormally.

### Tips

1. If your fan is operates automatically after installation and power on, it is because your fan has memorized the previous factory setting. Use the Universal Mode or the learning function and your fan will be ready for use.
2. If the fan or light isn't working, reset power (turn the power off for at least 5 seconds and then turn the power back on) and redo the learn function setting.
3. It is not possible to remotely operate more than one fan in the same room (in the area where the remote signal can reach to) if they share the same power supply. Separate power supplies (such as using individual wall switches for each fan) is required if you want to separately control more than one fan in same room.
4. When the fan is turned on or operated using forward/reverse function, it shutters & goes back & forth until it turns.  
This is a normal and it will take a few seconds to run this operation.

## MAINTENANCE

1. Periodic cleaning of your new ceiling fan is the only maintenance that is needed.
2. When cleaning, use only a soft brush or lint free cloth to avoid scratching the finish.
3. Abrasive cleaning agents are not required and should be avoided to prevent damage to finish.

### **WARNING**

*Do not use solvents when cleaning your ceiling fan. It could damage the motor and create the possibility of electrical shock.*

### **RECOMMENDED:**

Periodically check that the blade sets to the fan motor setscrews are secure and tight.

# CEILING



Email: [uroadmin@urogoo.com](mailto:uroadmin@urogoo.com)

Phone: (657) 384-1547

MADE IN CHINA