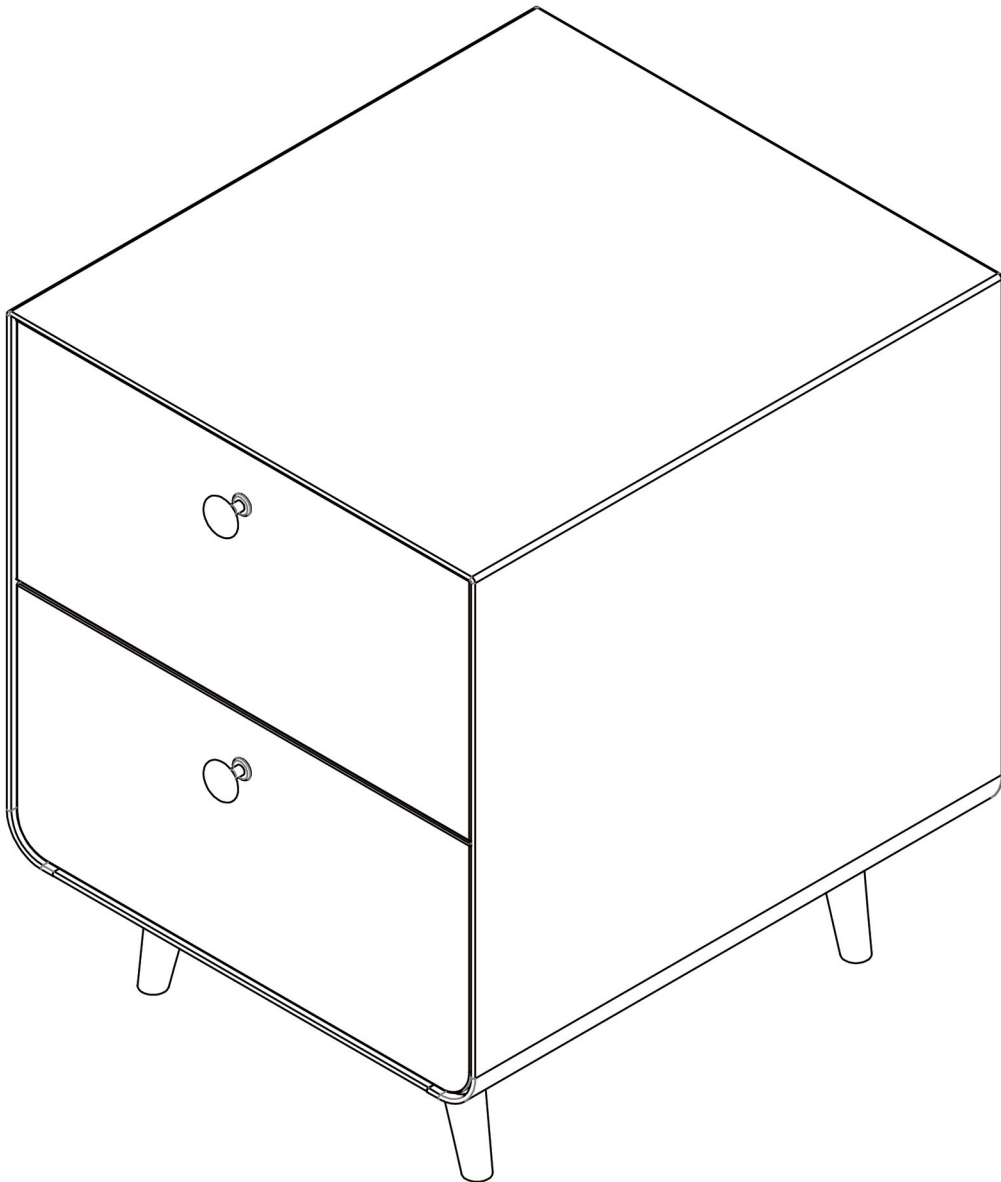


W252113551
W252113552

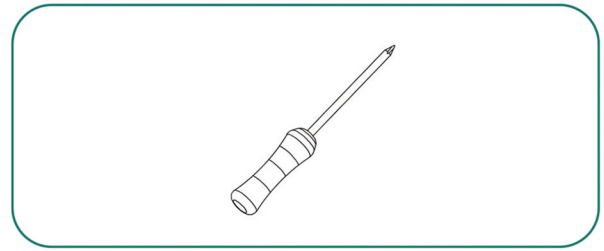


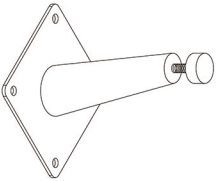
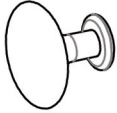
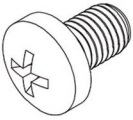

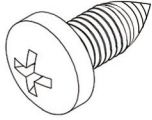
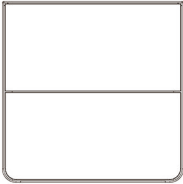
BEDSIDE CABINET

⚠ Attention: If you notice any fingerprints on the surface please know that they were left there during manual lifting. Simply clean the surface using a cloth and rubbing alcohol.

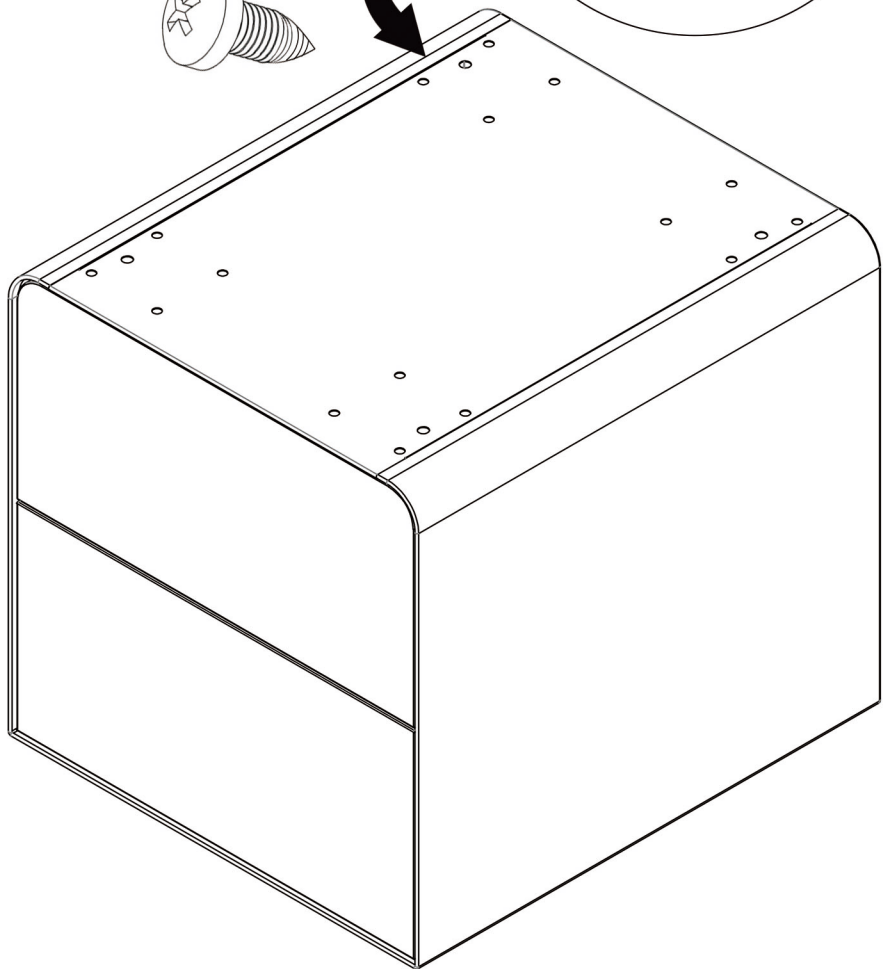
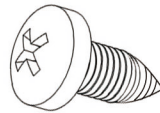
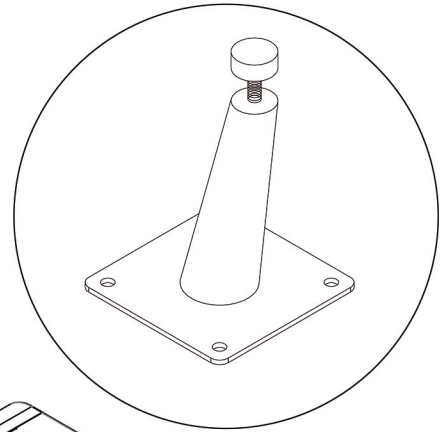
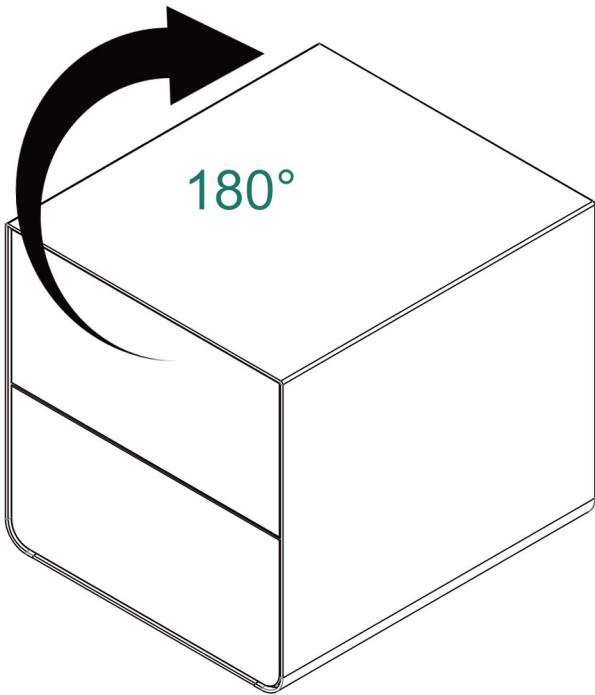
1. Gather and organize all required parts before assembling.
2. Assemble cabinet on a flat, clean, soft surface.

Tools Required For Assembly

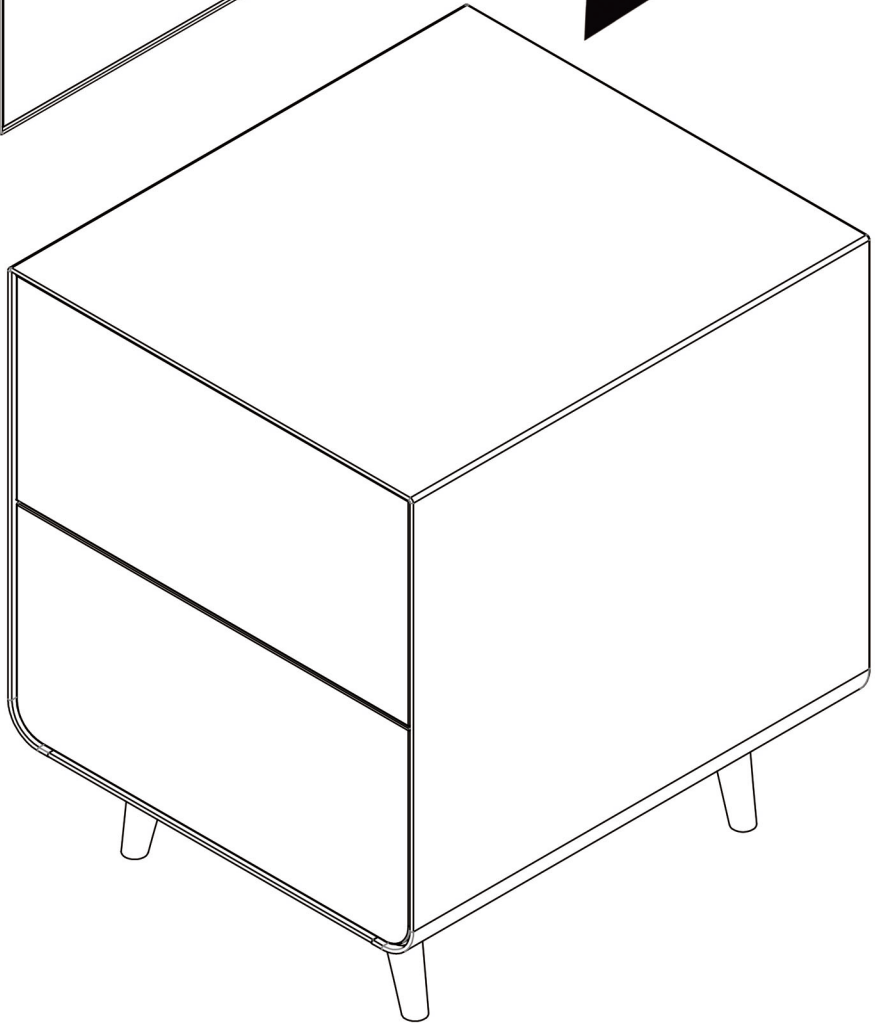
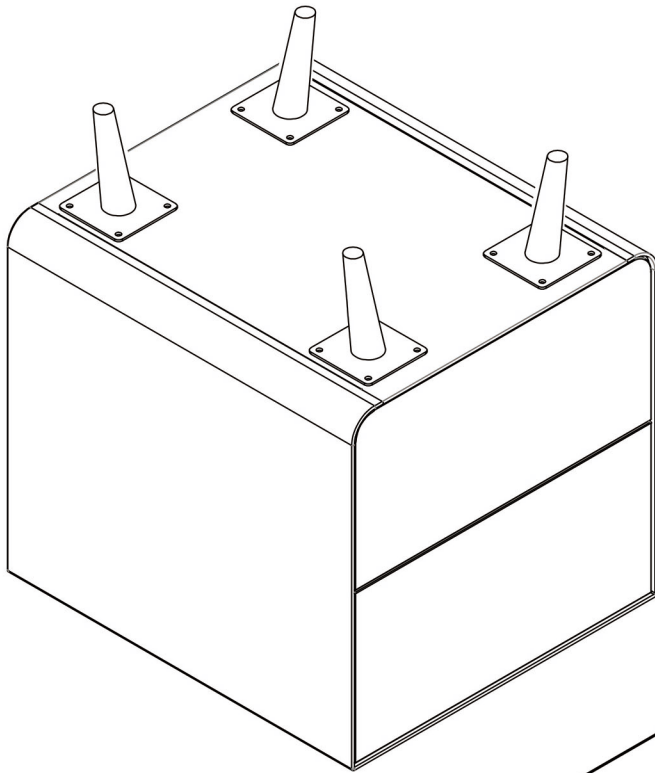


| Item no. | Reference Image | Qty. | Item no. | Reference Image | Qty. |
|----------|---|------------|----------|---|-----------|
| a |  | X4 | d |  | X2 |
| b |  | X4 | e |  | X1 |
| c |  | X20 | f |  | X1 |

STEP 1



STEP 2



STEP 3

