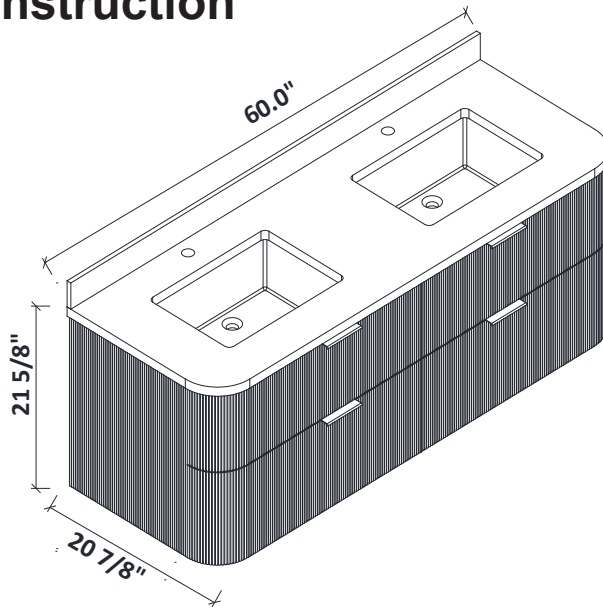
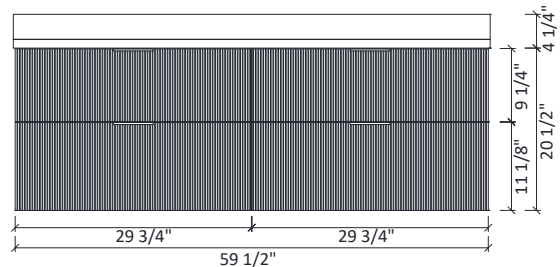
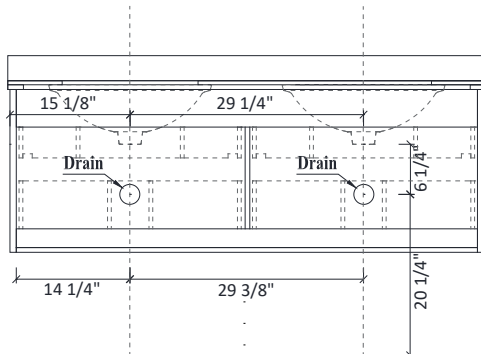
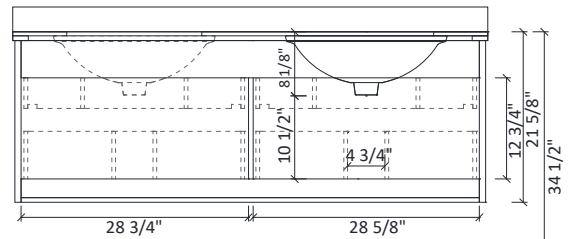
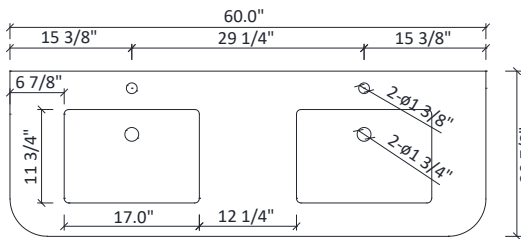


# Chantal 60 Floating Vanity Installation Instruction



## DIMENSIONS



### **WARNING !**

*In the hole on the wall, please be sure to be careful to avoid the internal cables and pipelines.*


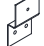
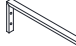




### **MATERIALS & TOOLS**

*Safety glasses, Pencil, Level, Tape measure, Stud Finder, Assorted screwdrivers, Assorted Wrenches, Drill, Screw gun, Caulking gun, Hammer, Screws, Nail anchors/Molly screws.*

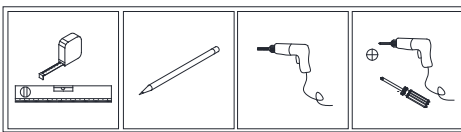
# Vanity Installation

## Step 1

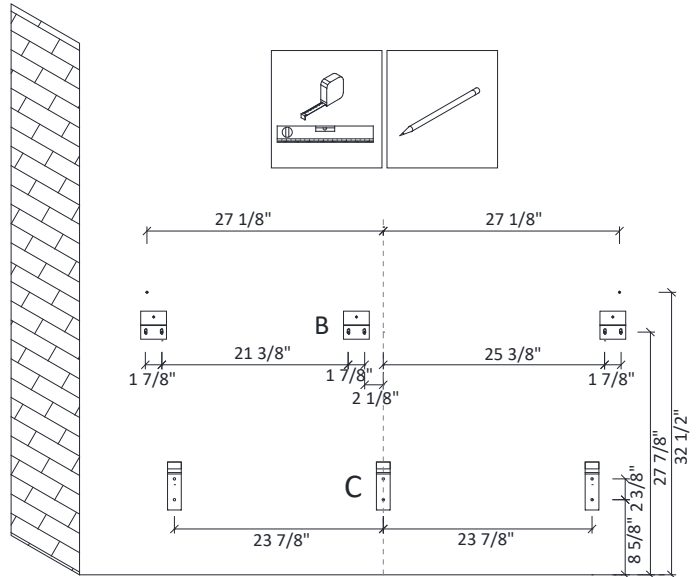
### PARTS

 A x15	 B x3	 C x3	 6*55 D x8
 E x8	 3.5*15 F x3	 4.5*50 G x6	

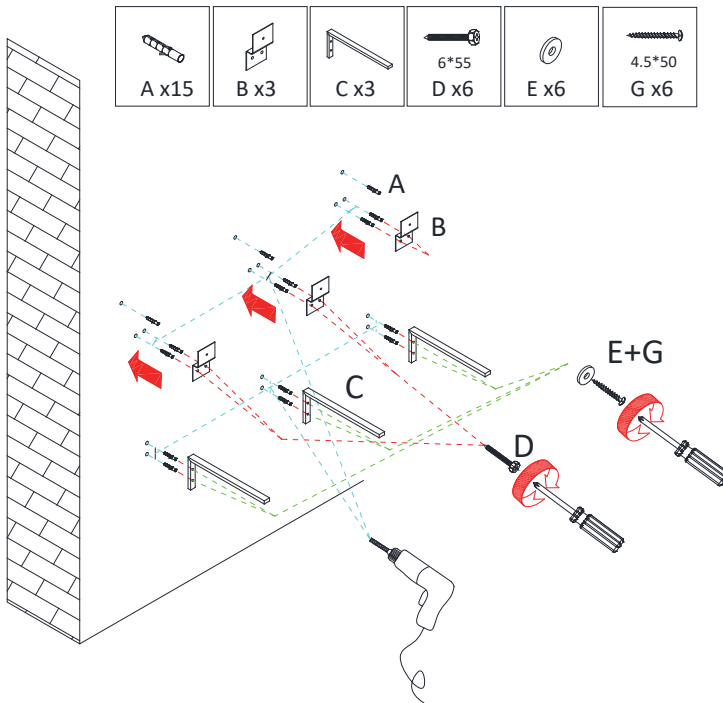
### TOOLS REQUIRED



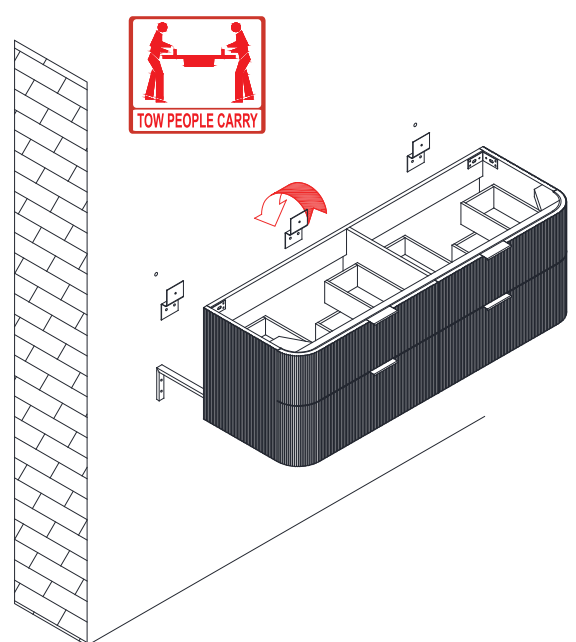
## Step 2



## Step 3

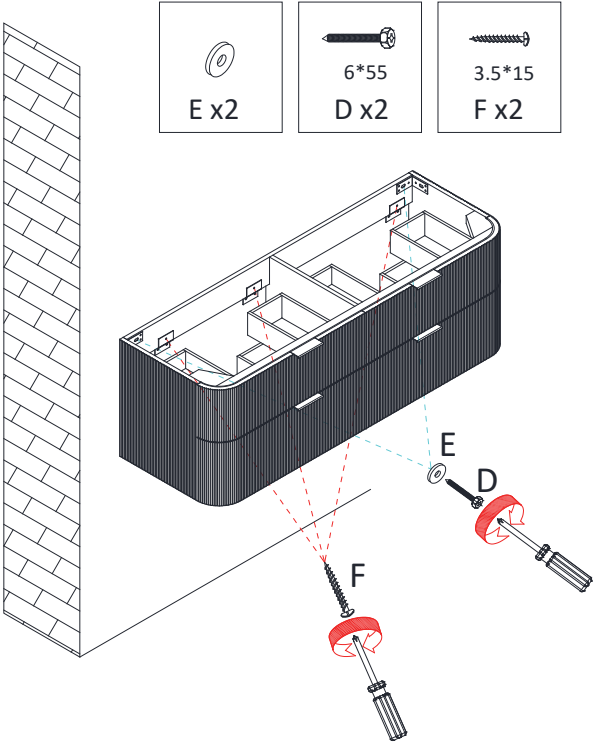


## Step 4

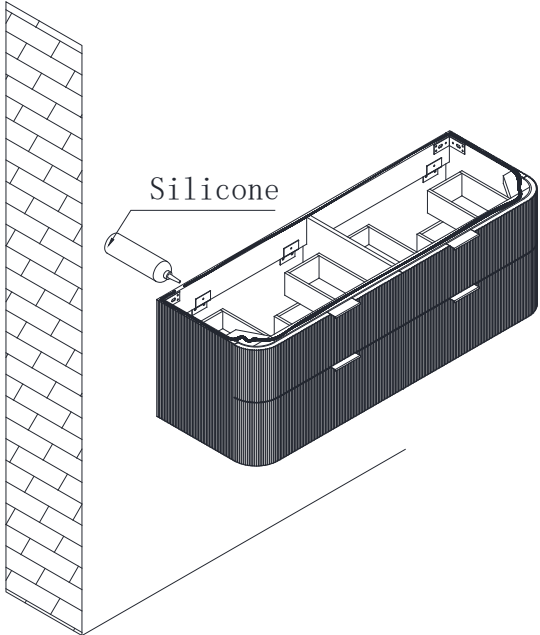


# Vanity Installation

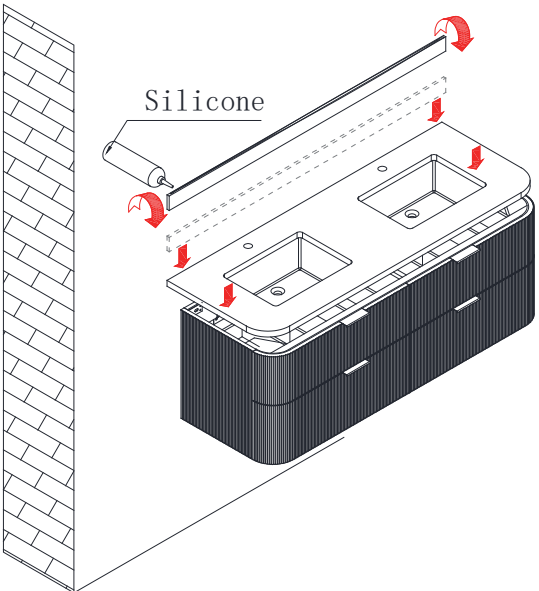
Step 5



Step 6



Step 7



Step 8

